

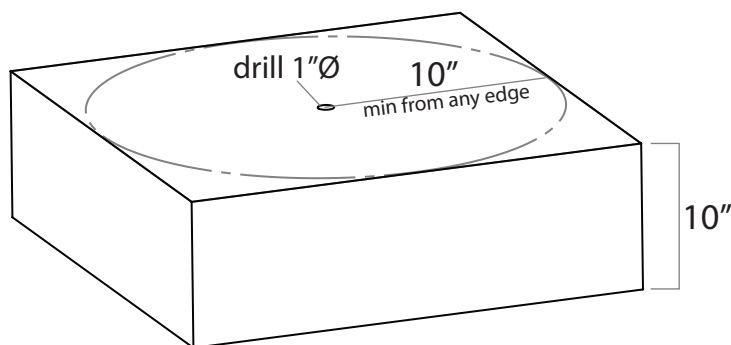
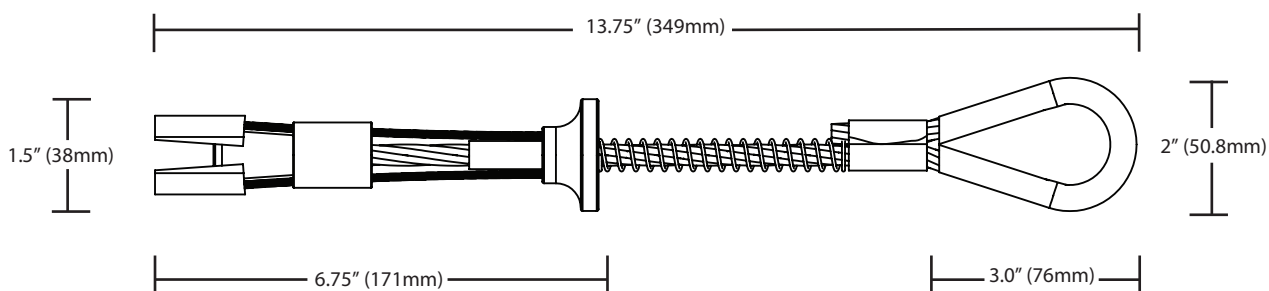
DESCRIPTION

**ClimbTech 10,000-lbf / 44kN Removable Bolt Anchor.**

A removable and reusable anchor designed to work in 25mm (1") drilled hole in concrete substrates.



RAF100N



SPECIFICATIONS

- ▼ **UTS**  
10,000-lbf / 44kN
- ▼ **Max User Weight**  
310-lbs / 140kg
- ▼ **Working Load**  
2000-lbs / 908kg

MATERIALS

- ▼ **Spoons**  
Stainless Steel
- ▼ **Swage**  
Zinc Plated Copper
- ▼ **Cone**  
Stainless Steel
- ▼ **Thimble Loop**  
Zinc Plated Steel
- ▼ **Cleaning Bushing**  
Zinc Plated Steel
- ▼ **Spring**  
Zinc Plated Steel
- ▼ **Stop Sleeve**  
Stainless Steel
- ▼ **Trigger**  
Aluminum
- ▼ **Main Cable**  
Aircraft Cable
- ▼ **Return Wire**  
Aircraft Cable

PRODUCT CONFIGURATIONS

MODEL	APPLICATION	COLOR	LOADING	WEIGHT
RAF100N	Concrete	Blue	10,000-lbf (44kN)	467g
RAM100N	Multi-Use	Silver	10,000-lbf (44kN)	467g