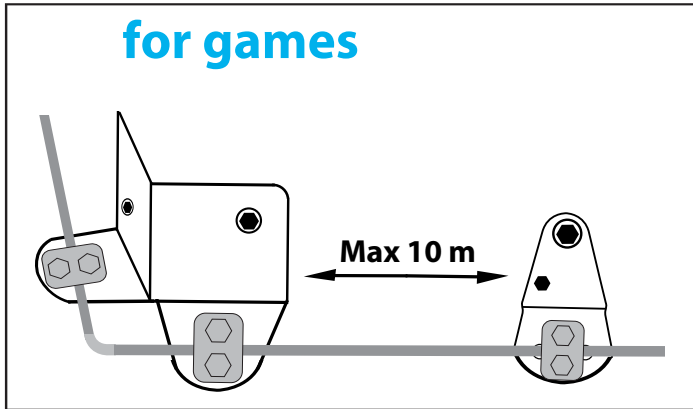



ZAZA 2 DOUBLE DELTA



ADVANTAGES:

- SPECIAL FOR ARTIFICIAL STRUCTURE
- REALIZE BENDS OF 90°
- FLEXIBILITY



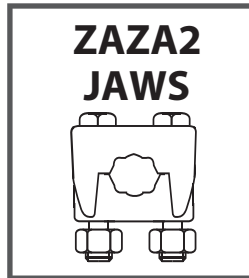
kN
CT/WLL 10kN

Security cable



Ø 12
or 1/2"
STEEL

ZAZA2
JAWS

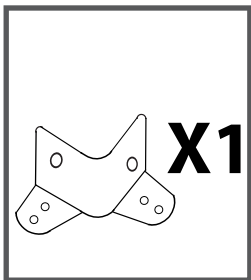


EN 15567-1
EN13411-1/7

STANDARDS



STAINLESS
STEEL



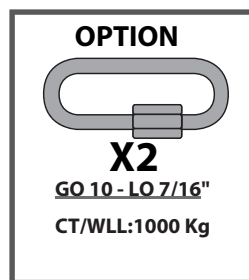
X1 =

X2 ZAZA2
JAWS

GUIDING PLATE

X2 MANDATORY

OPTION

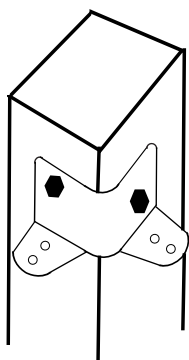


X2
GO 10 - LO 7/16"
CT/WLL:1000 Kg



NO! Zipline

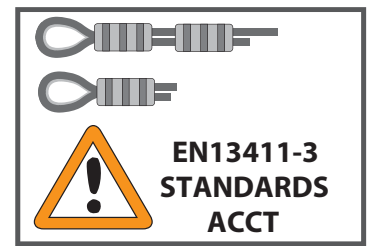
EXAMPLE OF FIXING SYSTEM



CRIMPER



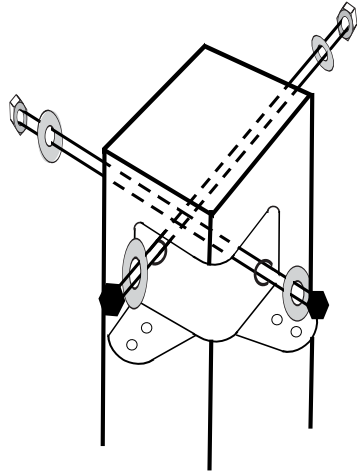
x130 kN



EN13411-3
STANDARDS
ACCT

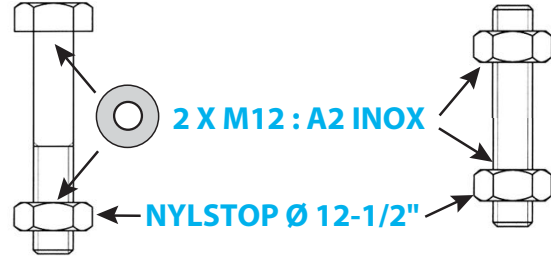
Opération 1

RECOMMANDATION OF ASSEMBLY



BOLT Ø 12
HR-1/2" HS

THREADED ROD
Ø 12HR- 1/2"HS



2 X M12 : A2 INOX

NYLSTOP Ø 12-1/2"

Operation 2

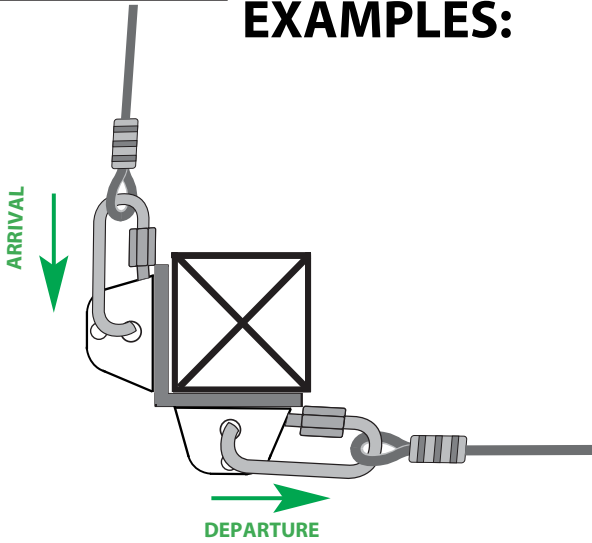
STARTING & ARRIVAL PLATE

EXAMPLES:

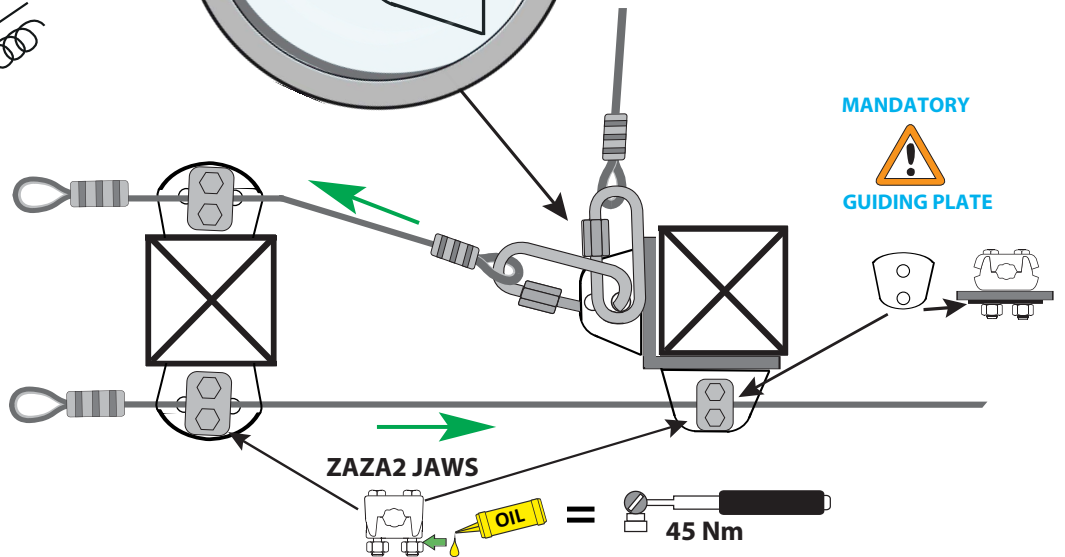
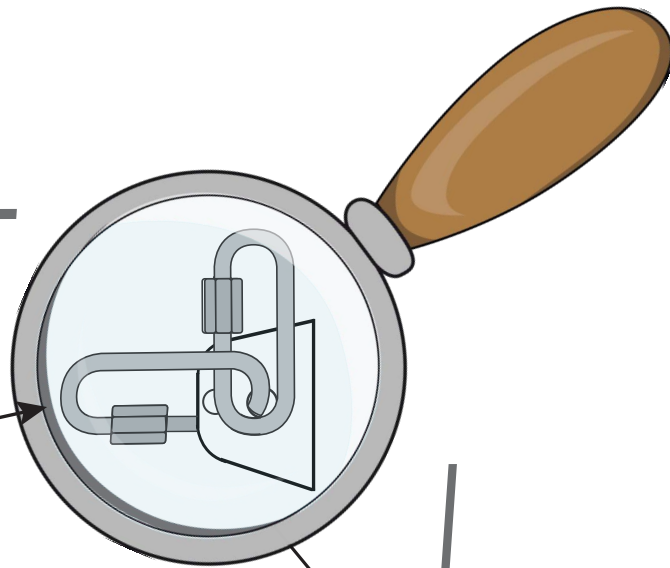
STANDARDS OF ASSEMBLY



EN 15567-1
EN 13411-1/7
STANDARDS - ACCT

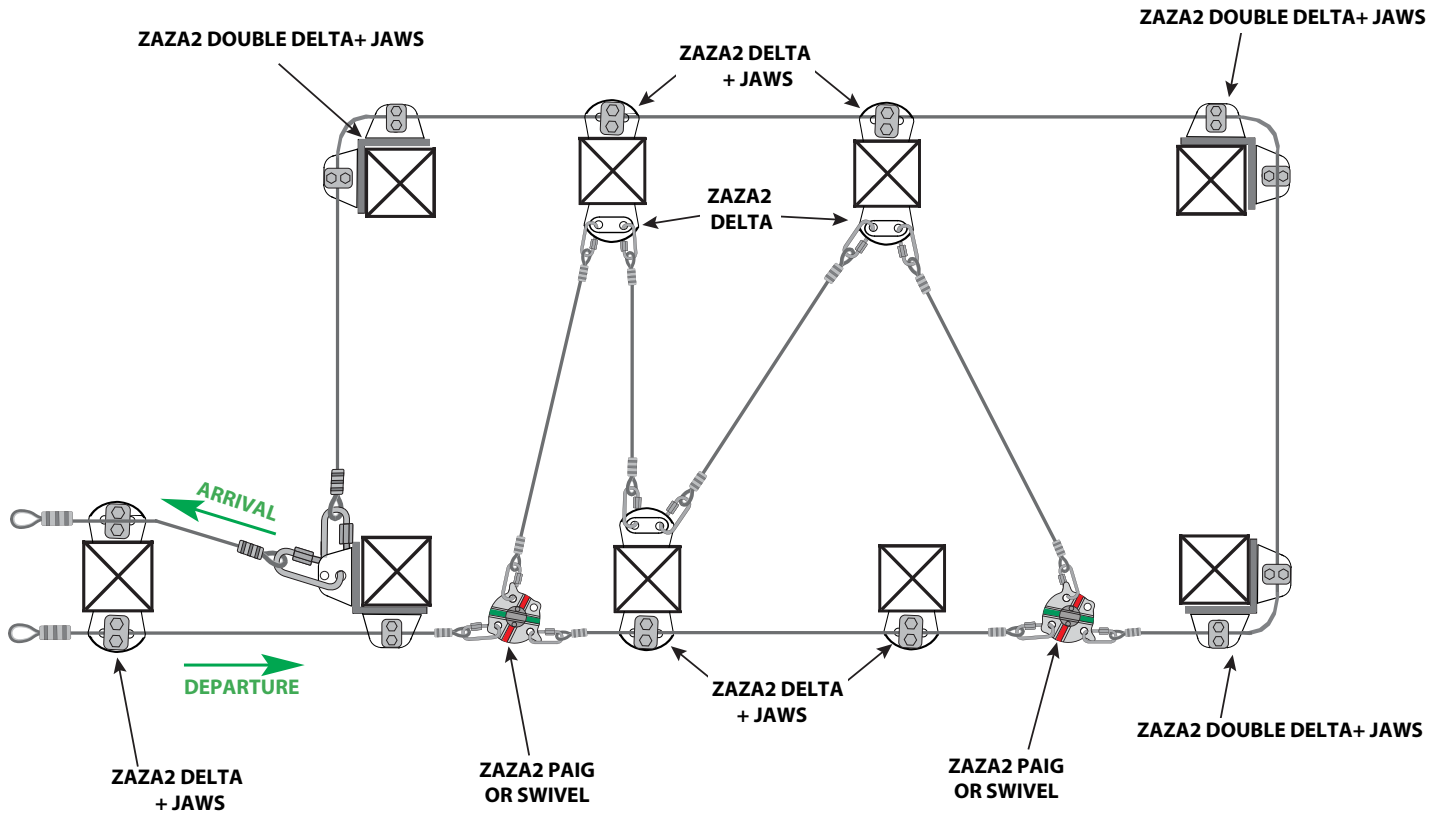


X2 MRGO10-LO 7/16"



Operation 3

Examples of mounting Combination



Operation 4

RECOMMANDATION OF ASSEMBLY

STANDARDS OF ASSEMBLY



EN 15567-1
EN 13411-1/7
STANDARDS - ACCT

