



RP702 Single Progress Capture Pulley (non-locking)

Data Sheet



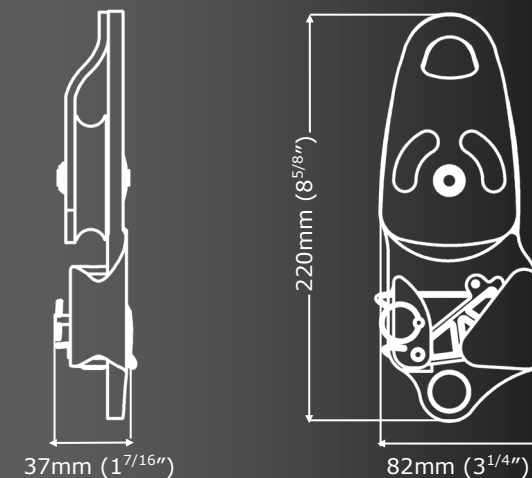
climb. work. rescue.

I|S|C

SOLUTIONS IN METAL

The ISC Progress Capture Pulleys feature a new lightweight centre plate, re-positioned wheel to reduce rope friction and a rated Becket, through which even a ANSI Karabiner can be fully rotated. The RP702 is fitted with tamper-proof rivets and is individually serial numbered. The cam-face is coned to minimise rope wear.

(PPE Directive 89/686/EC)



Weight	663g (23oz)
Body Material	Aluminium
Finish	Anodised
WLL	800kg (1764lbs)
Rope Size	10-13mm (3/8-1/2")
MBS	40kN (8992 lbf)
Standards	EN12278, EN 567 NFPA 1983