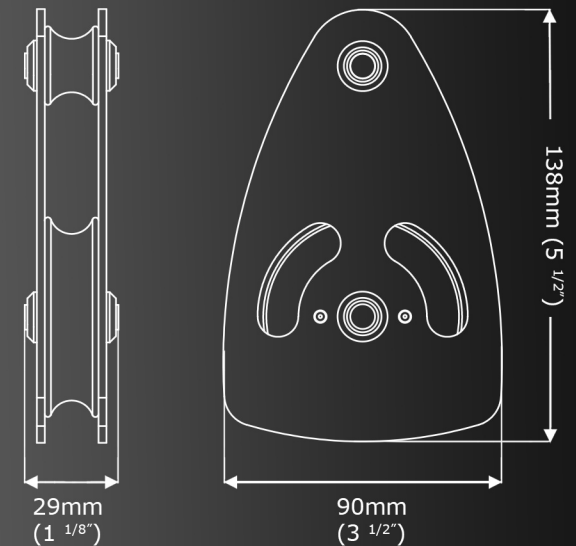


RP029 Fixed Wheel Shear Reduction Pulley

Data Sheet



The RP029 Shear Reduction Pulley has Stainless Steel wheel and cheeks and is fitted with a top bollard attachment point. The top bollard has been designed to be compatible with a standard 10mm (approx. 3/8") long opening Maillon Rapide.



Weight	820g (29oz)
Body Material	Stainless Steel
Wheel Material	Stainless Steel
Finish	Polished
Rope Size	13mm (1/2")
MBS	44kN (9892lbf)

CE The **First & Only** Stainless Steel Shear Reduction Block to be **CE Approved by the PPE Directive**