

RP050 Small Cast Pulley -13mm (1/2") Rope

Data Sheet

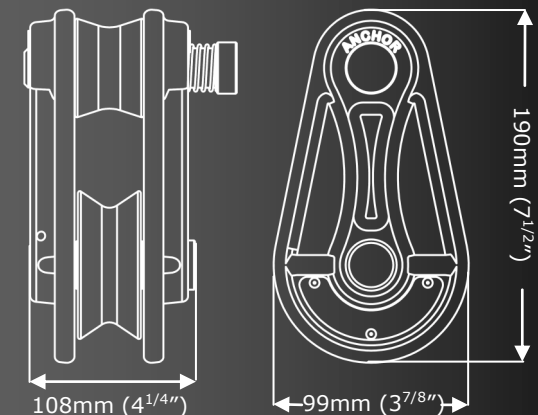


climb. work. rescue.

ISC

SOLUTIONS IN METAL

ISC Rigging Blocks have colour-coded Side Cheeks and Pulley Wheels, helping the user to easily identify the correct Block for the task. We have introduced a new fixed bollard dimension, which allows the user to fall in-line with rigging standard practice, whereby the Anchor/Topping Strop should be twice the Strength of the Working Line.



Weight	1.6kg (3.5lbs)
Wheel Material	Aluminium
Body Material	Aluminium
Finish	Powder Coated
MBS	100kN (22480lbf)
WLL	2000kg (4400lbs)

	Working Line	Topping Strop
Size	13mm (1/2")	19mm (3/4")
MBS	45kN (9900lb)	106kN (23400lb)