

SH901 Standard Double Action Snaphook

Data Sheet



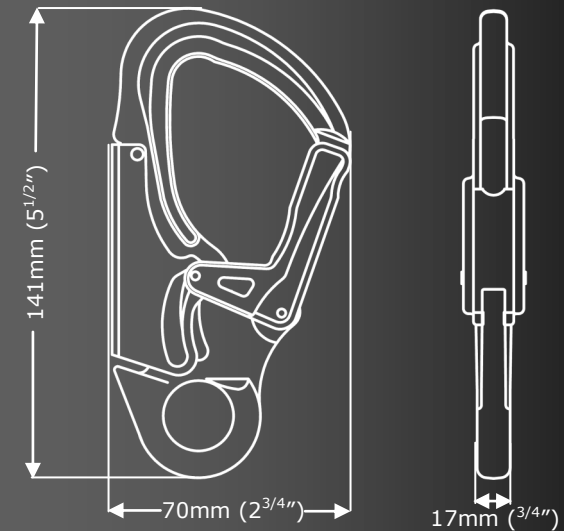
climb. work. rescue.

I|S|C

SOLUTIONS IN METAL

The SH901 has a Safety Heel to help reduce the risk of accidental opening and the 'Blind' nose helps to prevent rope snagging.

A Triple-action version of this Snaphook is available (Product No. SH903). We also manufacture a Swivel Eye version. The Swivel version is available with Double or Triple Action gates, with or without Fall Indicator.



Weight	126g (4oz)
Eye Diameter	20mm (1")
Gate Opening	22mm (7/8")
Body Material	Aluminium
Finish	Anodised
MBS	27kN (6070lbf)