

RP892 RED™ Back up Device with Popper™ Tow Cord

Stainless Steel

Data Sheet

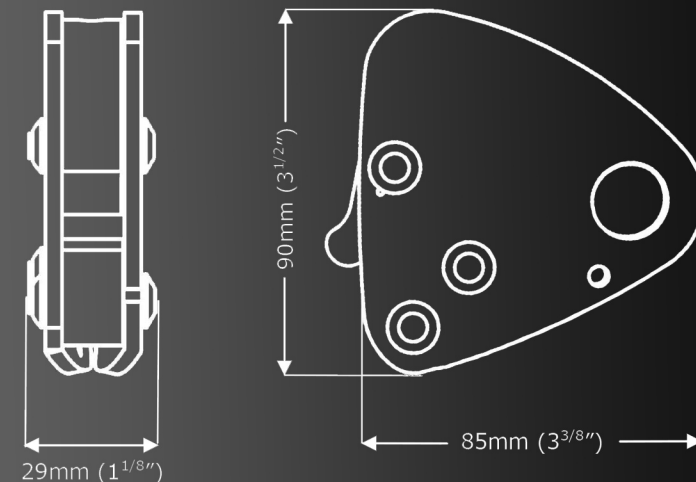


climb. work. rescue.

I|S|C

SOLUTIONS IN METAL

The RED™'s cams have a positively locking spring which means the device is self-parking rather than self-tailing. This is important for Rope Access work techniques as they require the back up device to be positioned so as to reduce fall factors to a minimum.



Popper™ Tow Cord Release Clip



The Popper™ Tow Cord device has a breakaway clip, which provides a secondary attachment point for the tow cord. When used during normal positioning activity, this secondary attachment point allows the user to tow the device directly downwards. In a panic situation the clip should release under force.

Average weight	414g (14.6oz)
Body Material	Stainless Steel (Polished)
Cam Material	Aluminium (hard anodised)
Rope Size	10.5-11.0mm (3/8" - 7/16")
Rated Capacity	140kg (310lb)
Rescue (2 Persons)	240kg (530lb)
Standards	CE EN 12841 ANSI Z359.1