

RP860 D2 Escape Descender

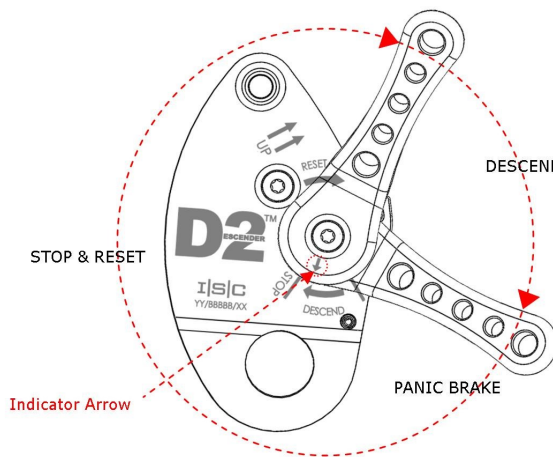
Data Sheet



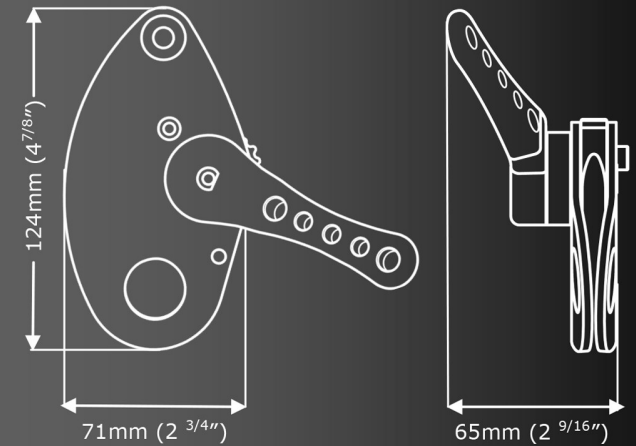
climb. work. rescue.



SOLUTIONS IN METAL



The D2 Escape Descender is a new & innovative 'double-stop' Descender. The ISC engineers developed a new handle operated cam-system specifically so that in a panic situation the D2 Descender would actually stop the descent, rather than just slow it down- the D2 Descender is the only Micro-Descender in the world to offer this function. The D2 is CE tested to 120m maximum descent.



Weight	292g (10.3oz)
Rated Load	100kg (220lbs)
Rope Size	8mm (5/16")
Body Material	Aluminium
Finish	Anodised
MBS	13.5kN (3035lbf)
Standards	EN12841, NFPA 1983



KT860A D2 Escape Descender Kit (Polyester Rope 15m)

Data Sheet



Polyester Kit Options



Standard Kits are supplied with a 15m (50ft) working length. Other lengths are available on request. Standard polyester ropes are ideal for use in other areas (such as Linesman self-rescue from pole tops or for escape from towers or elevating work platforms/ skylifts). Standard kits are assembled with knotted termination (sewn terminations available on request*).

* Additional fee applies



Kit Content

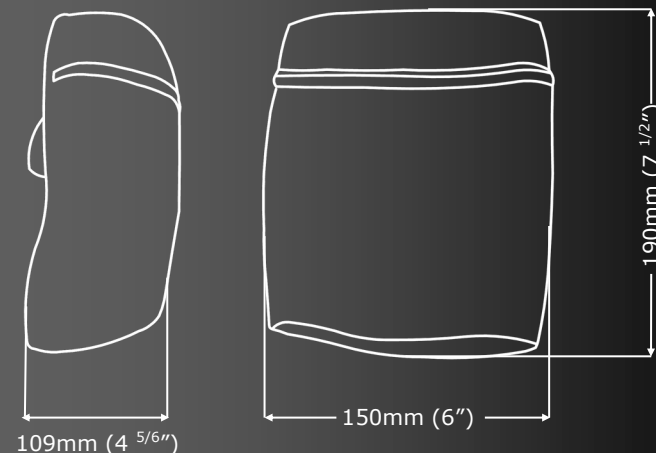
- 1x Dyneema Sling
- 1x D2 Descender
- 1x Zip Top Pouch
- 1x Polyester rope (15m)
- 2x KH453 Karabiners (Twistlock)

climb. work. rescue.



SOLUTIONS IN METAL

The D2 Escape Descender is a new & innovative 'double-stop' Descender. The ISC engineers developed a new handle operated cam-system specifically so that in a panic situation the D2 Descender would actually stop the descent, rather than just slow it down- the D2 Descender is the only Micro-Descender in the world to offer this function. The D2 is CE tested to 120m maximum descent.



Weight	1.1kg (2.4lbs)
Rope Weight	45g/m (05.oz/ft)
Rated Load*	100kg (220lbs)
Rope Size	8mm (5/16")
Body Material	Aluminium
Finish	Anodised
MBS	13.5kN (3035lbf)
Standards	EN12841, NFPA 1983



KT860B D2 Escape Descender Kit (Technora Rope 15m)

Data Sheet



Technora Kit Options



Standard Kits are supplied with a 15m (50ft) working length. Other lengths are available on request. Aramid fibres, (such as Technora) are perfect for use in applications where fire is the main hazard (such as bail-out or evacuation from wind turbines). Standard kits are assembled with knotted terminations (sewn terminations are available on request*).

* Additional fee applies



Kit Content

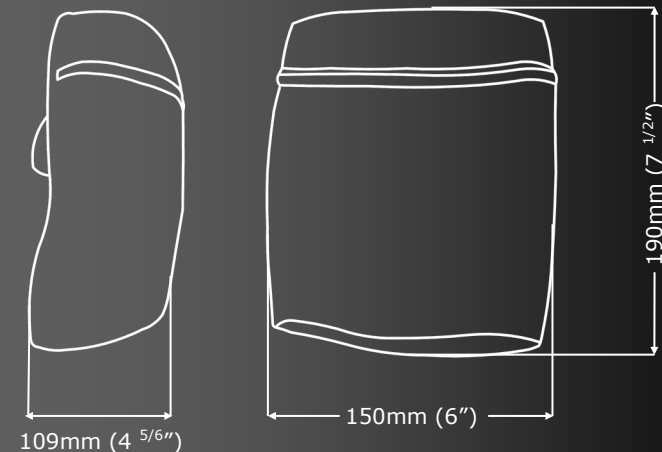
- 1x Technora Anchor Sling
- 1x D2 Descender
- 1x Zip top Pouch
- 1x Technora rope (15m)
- 2x KH453 Karabiners (Twistlock)

climb. work. rescue.



SOLUTIONS IN METAL

The D2 Escape Descender is a new & innovative 'double-stop' Descender. The ISC engineers developed a new handle operated cam-system specifically so that in a panic situation the D2 Descender would actually stop the descent, rather than just slow it down- the D2 Descender is the only Micro-Descender in the world to offer this function. The D2 is CE tested to 120m maximum descent.



Weight	1.2kg (2.6lbs)
Rope Weight	46g/m (0.6oz/ft)
Rated Load*	100kg (220lbs)
Rope Size	8mm (5/16")
Body Material	Aluminium
Finish	Anodised
MBS	13.5kN (3035lbf)
Standards	EN12841, NFPA 1983