



# UB051 5m (16ft) Merlin Fall Arrest Block

## Data Sheet



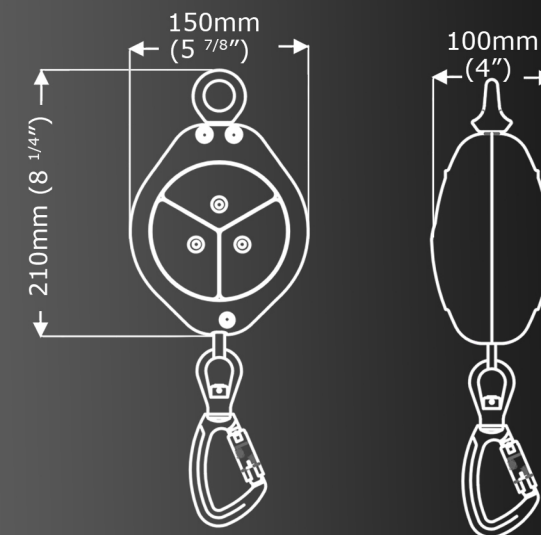
climb. work. rescue.

# ISC

SOLUTIONS IN METAL

All ISC Blocks have solid Aluminium Housings, proven to last all sorts of environments, from rental to off-shore. The internal mechanisms are simple, making them easily serviceable.

The UB051 Fall Arrest Block is fitted with a Twistlock Fall-indicating, Swivel Eye Karabiner as standard.



<b>Average weight</b>	3kg (7lb)
<b>WLL</b>	136kg (300lb)
<b>Max Arrest Distance</b>	1372mm (54")
<b>Line Type</b>	Wire
<b>Standards</b>	ANSI Z359:1:2007 EN360:2002