

EN Mobile fall arrester for rope.
 HU Mobil zuhanásgató eszköz kötélen.
 GR Κινητό αναγωγό πτώσης για σχοινί.
 PL Mobilny ogranicznik upadku dla liny.
 EE Kõie mobiilne kukkumise peatamise seade.
 LV Kritiena apturēšanas ierīce virvei.
 LT Mobilus virvės kritimo įtaisas.
 BG Мобилен устрйоство за защита от падане за въже.
 HR Prijenosni uređaja za zaustavljanje pada za užje.

MADE IN ITALY
EN 353-2:2002



Regulation (EU) 2016/425
 Personal Protective Equipment against falls from a height.



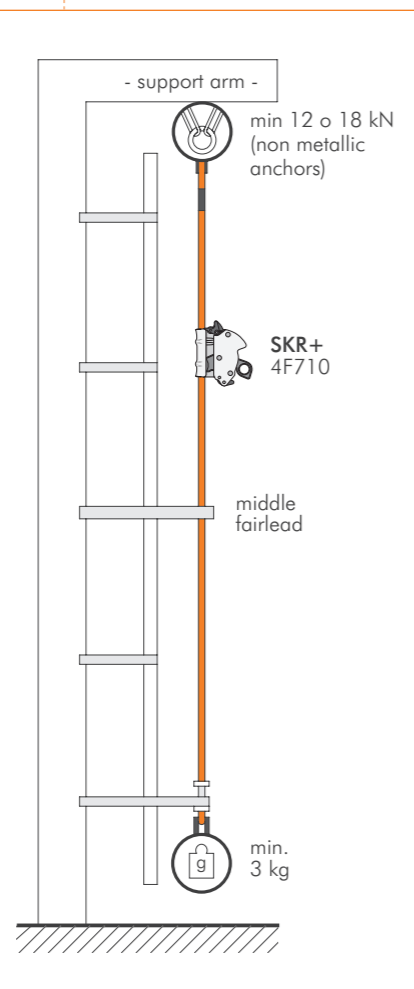
by Aludesign S.p.A. via Torchio 22
 I 24034 Cisano B.sco BG ITALY
 Central tel: +39 035 78 35 95
 Central fax: +39 035 78 23 39
 www.climbingtechnology.com

IST22-4F71OCT152_rev.2 06-20

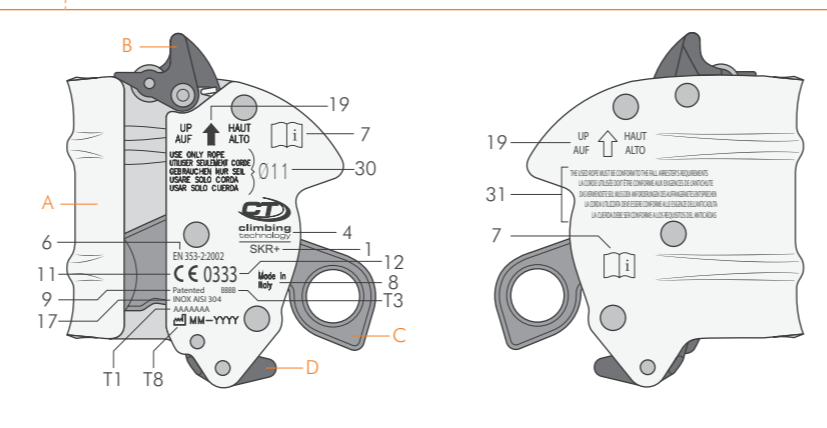
1 MODELS

PRODUCT	SKR+
REF. No.	4F710
WEIGHT	337 g
STANDARDS	EN 353-2:2002
ROPE COMPATIBILITY	PATRON PLUS 11 Ø 11 mm (Ref. No. 7W158)
	22 kN = minimum breaking strenght of the rope with its terminations.

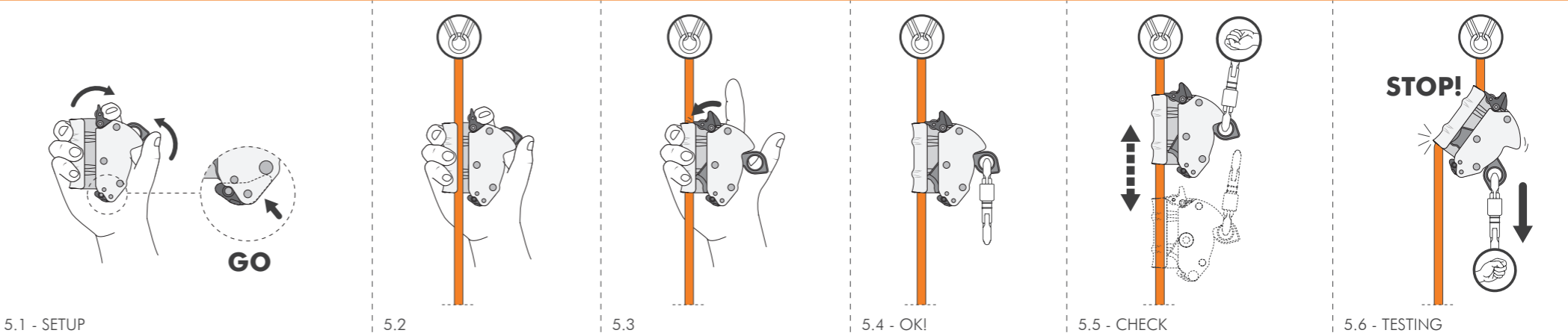
2 SITUATION PLAN



3 MARKING / NOMENCLATURE OF PARTS



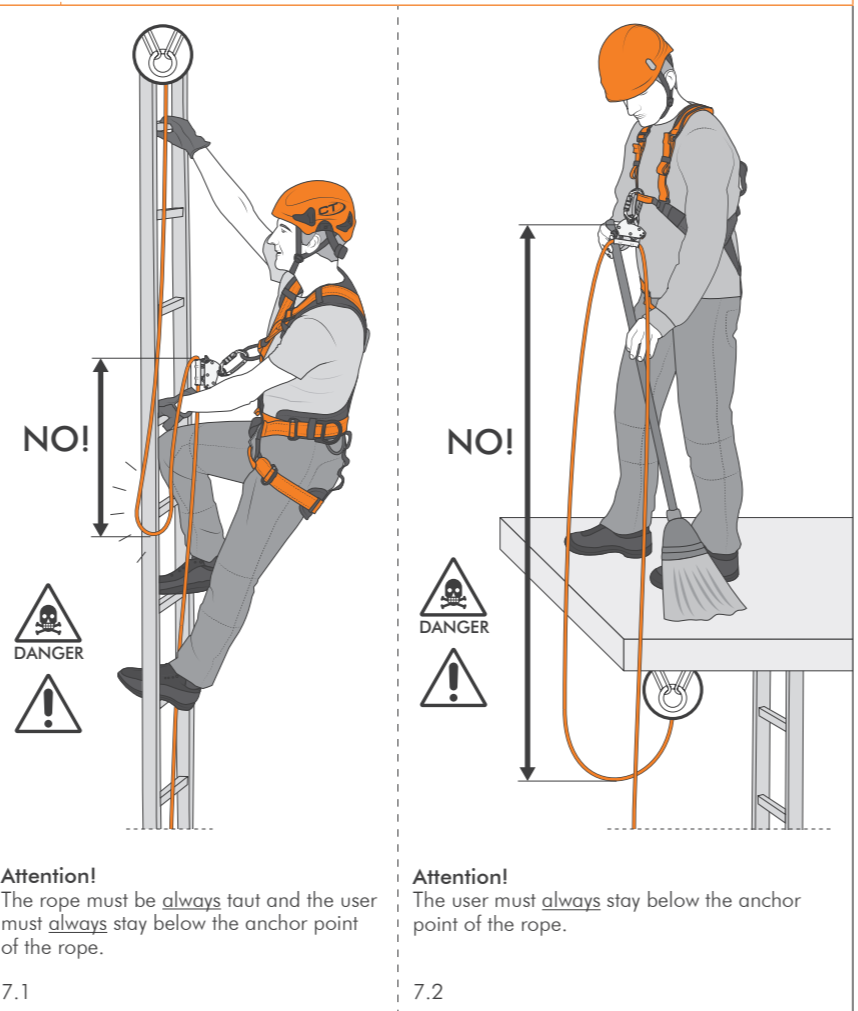
5 INSTALLATION AND TESTING



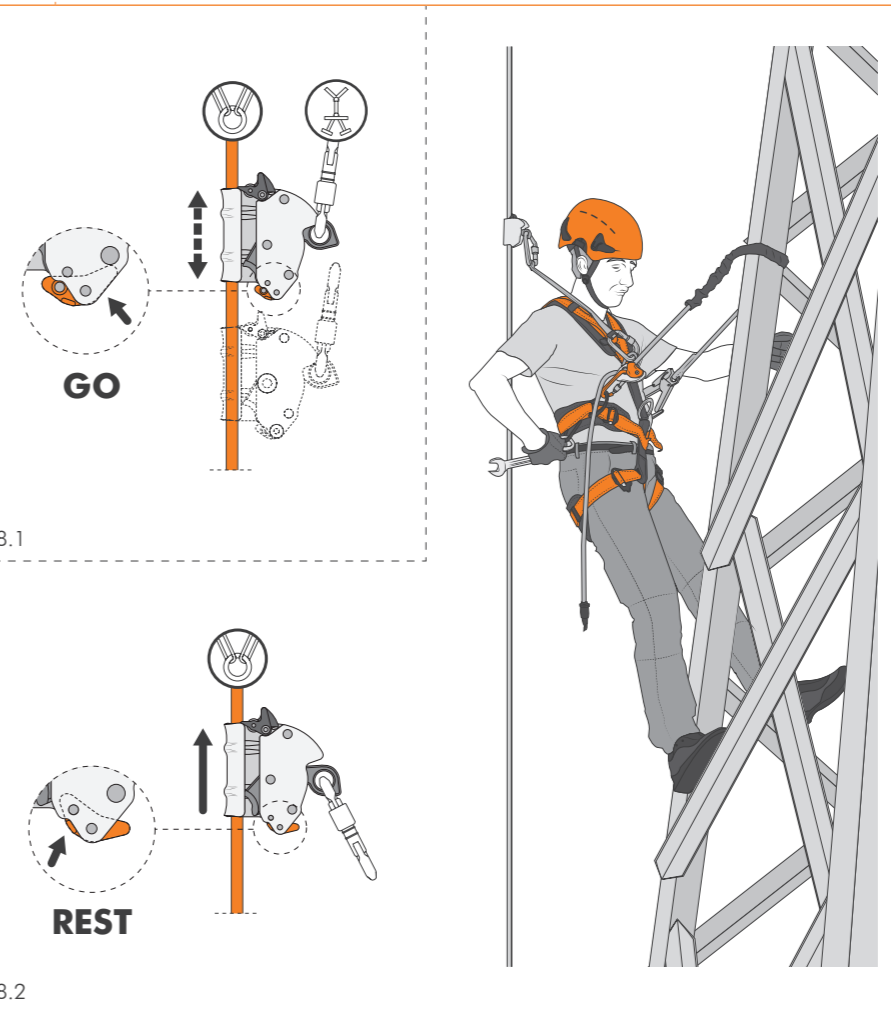
6 CLEARANCE HEIGHT



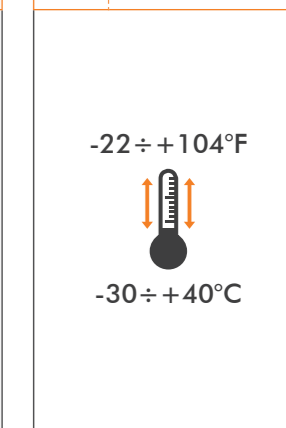
7 ATTENTION! - POSITIONS OF INCORRECT USE



8 BLOCK OF SLIDING



10 WARNING



9 ATTENTION!

