

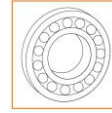
3121 FLYTE

Linear double pulley with stainless steel wheels.
 Sealed ball bearings for low friction and increased speed.
 Specifically conceived for crossing cables and zip lines.
 Accommodates ropes up to 13 mm and steel cables up to 12 mm in diameter.
 Large main attachment hole and secondary attachment point on top.

Working load limit: 10 kN
 Breaking load: 20 kN

CE EN 12278

TEAM RESCUE ROPE ACCESS TREE CLIMBING



Aluminium alloy main structure





Additional attachment point able to contain one connector



Aeration holes

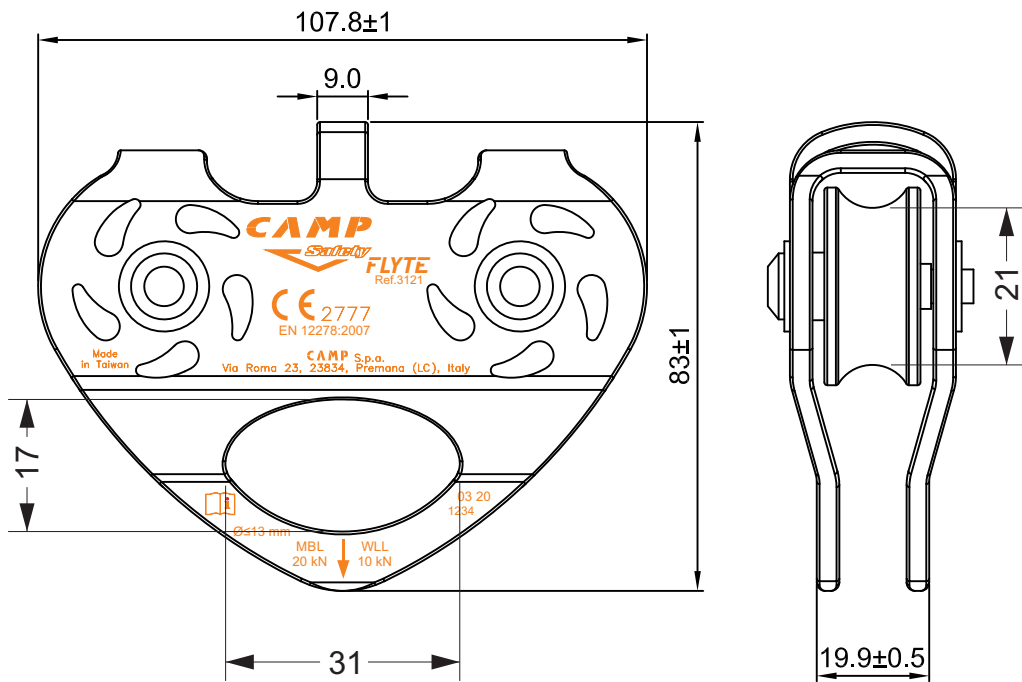
Stainless steel wheels
 Sealed ball bearings movement

Main attachment point able to contain two connectors

REF.	MOD.				MINIMUM BREAKING LOAD (MBL) (kN)		WORKING LOAD LIMIT (WLL) (kN)		EFFICIENCY	STANDARD	
					A MAIN HOLE	B BECKET	A MAIN HOLE	B BECKET		CE EN 12278:2007	
3121	FLYTE	Ø ≤ 13 mm	Ø ≤ 12 mm	●	20	15	10	6	92%	●	280

3121 FLYTE

TECHNICAL SHEET



1		MBL Minimum breaking load	WLL Working load limit
A Main attachment hole	<p>20 kN</p> <p>10 kN</p> <p>20 kN</p>	<p>10 kN</p> <p>10 kN</p>	
B Becket	<p>15 kN</p> <p>6 kN</p>		

