

2160 - JANUS

TECHNICAL SHEET

A high strength multifunctional double pulley for block-and-tackle systems and complex operations.

Features large wheels, a main attachment hole that accommodates three carabiners with two secondary holes on the sides, and a large becket. For ropes up to 16 mm. Prusik minding, the self-locking knot can be installed on both sides of both wheels. Self-lubricated bushings are perfect for light applications at low speed.

Efficiency: 90%.

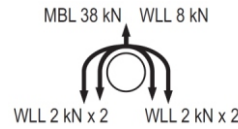
Aluminum alloy body and wheels, stainless steel axle.

CE **EN 12278**

GENERAL **SELF RESCUE**

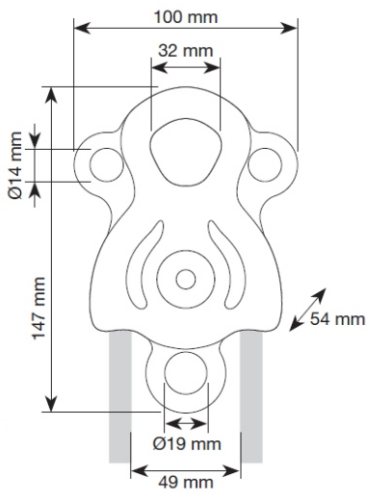


400



JANUS BLACK
216003

BLACK LINE



Main attachment hole that accommodates three carabiners

Two secondary holes on the sides
MBL 21 kN
WLL 4 kN

Prusik minding, the self-locking knot can be installed on both sides of both wheels

Self-lubricated bushings

Becket
MBL 21 kN
WLL 4 kN

