

2156 - DRYAD

TECHNICAL SHEET

Compact double pulley for block-and-tackle systems.

Large connection hole accomodates two carabiners.
For ropes up to 13 mm.

Prusik minding, the self-locking knot can be installed on both sides and both wheels. Self-lubricated brass bushings are the perfect solution for light applications at low speed.

Efficiency: 80%.

Aluminum alloy body and wheels, stainless steel axle.

CE EN 12278

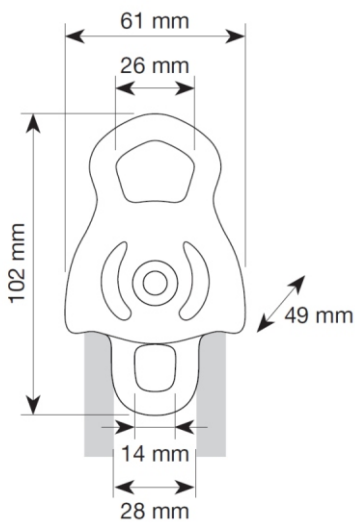
GENERAL

SELF RESCUE



170

MBL 24 kN WLL 4 kN



Self-lubricated brass bushings



Large connection hole accomodates two carabiners

Prusik minding, the self-locking knot can be installed on both sides and both wheels

Becket
MBL 15 kN
WLL 2 kN

