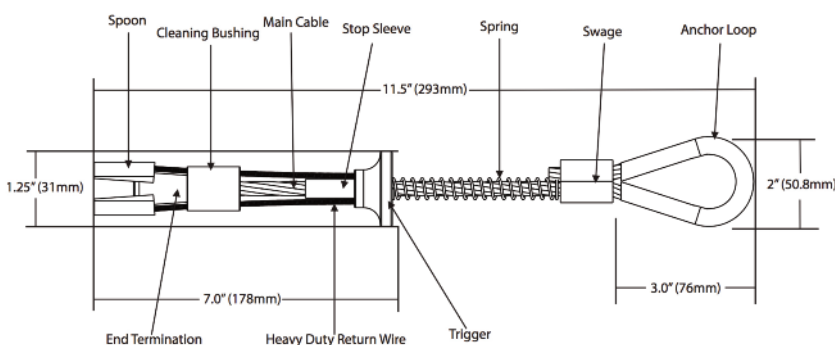


CT102 Removable Concrete Anchor

Concrete Anchors are portable, reusable devices which can be used in vertical, horizontal or overhead concrete substrate surfaces. Once a suitable hole has been drilled, the anchors can be inserted and removed as required. These anchors are available in two sizes/rating and are suitable for use for fall protection applications.



Product Code:
CT102

Conformance:
EN795:2012 Class A

WLL:
140kg

MBS:
22kN

Size of Drilled Hole:
20mm Diameter x 89mm Deep

Material:
Aluminium

Weight:
200g