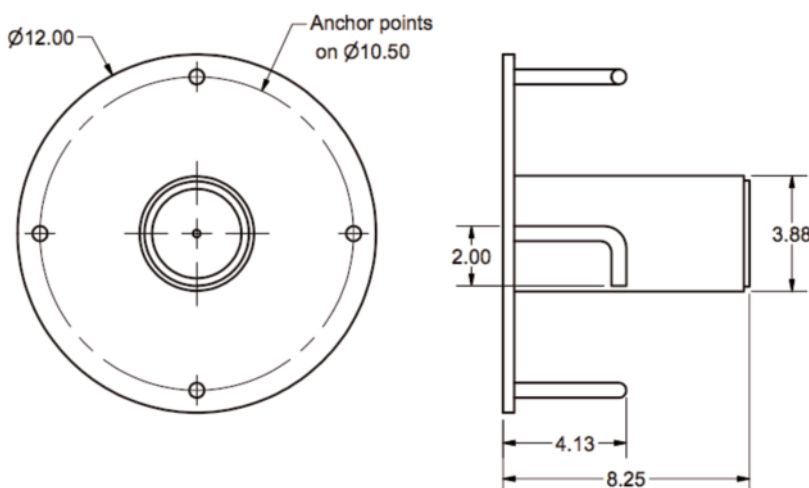


Flush Floor Mount for Fresh Concrete
Designed to be used with Davit Arms
To be set into freshly poured concrete



Product Code:
30023

Conformance:
Eng. Calc

Weight:
8.4kg

Mild Steel with CS-500 finish