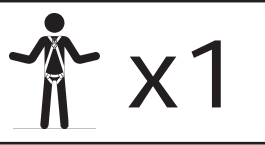




The Ultimate in Fall Protection

48 SPECIFIC INSTRUCTIONS



ULTRA-LOK RSQ

1 Controlled Descent SRLs

78 Model Numbers: 3504553, 3504554, 3504555

CE	3	EN360:2002
	3	EN341:1992
	50	Class D

<p>8</p> <p>CE TYPE TEST</p>	<p>No. 0321</p> <p>Satra Technology Centre</p> <p>Wyndham Way</p> <p>Telfera Way</p> <p>Kettering, Northants</p> <p>NN16 85D UK</p>
	<p>9</p> <p>CE PRODUCTION</p> <p>QUALITY CONTROL</p>

1

Component:	62	Material:	18
(A) SRL Housing	60	Fiberglass Reinforced Urethane	21
(B) Brake Housing	60	Aluminum and Stainless Steel	28 26
(C) Cable Drum	61	Aluminum	28
(D) Other Internal Components	63	Stainless Steel	26
(E) Lifeline	64	Stainless Steel or Galvanised Steel	26 25
(F) Hook	65	Zinc Plated Steel or Stainless Steel	27 26

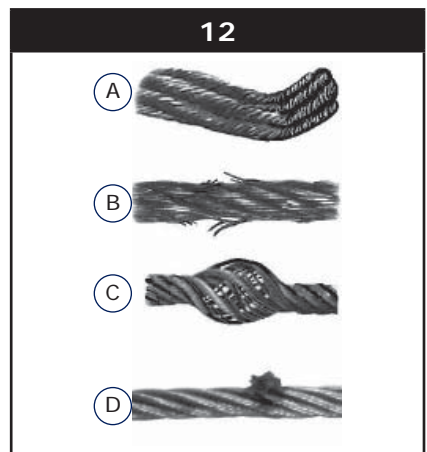
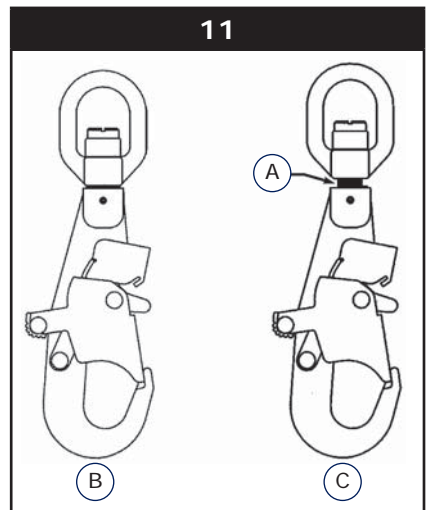
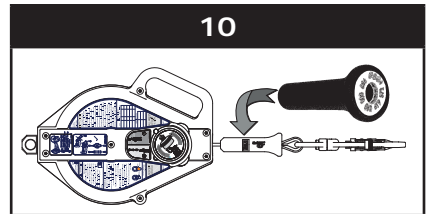
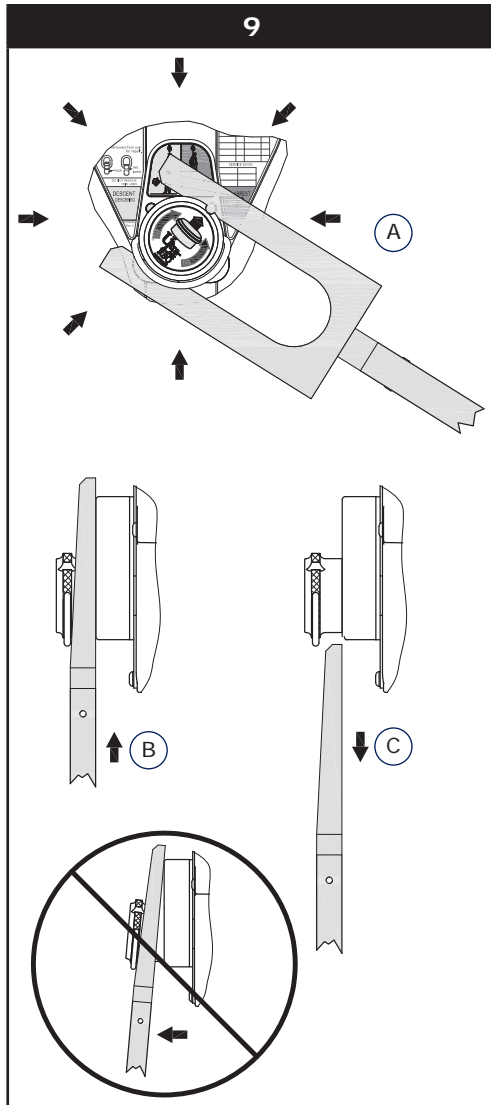
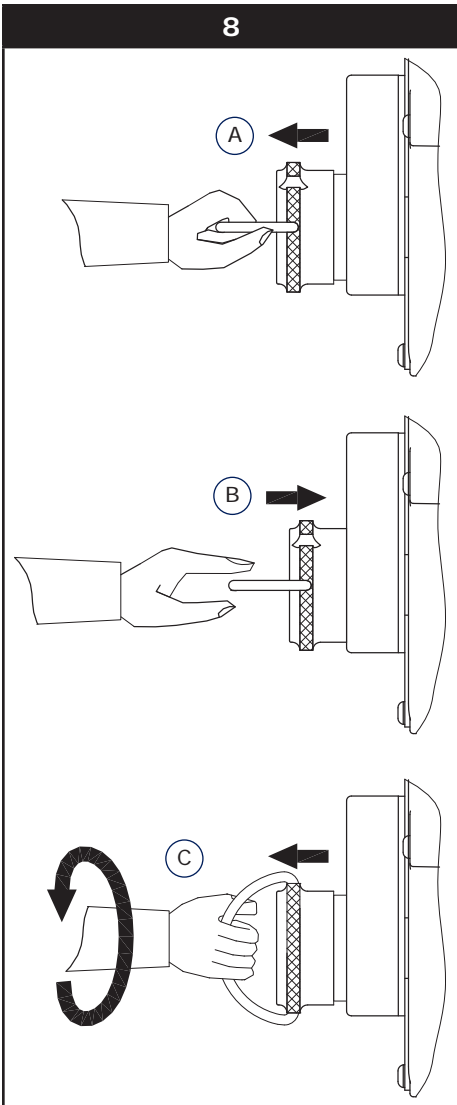
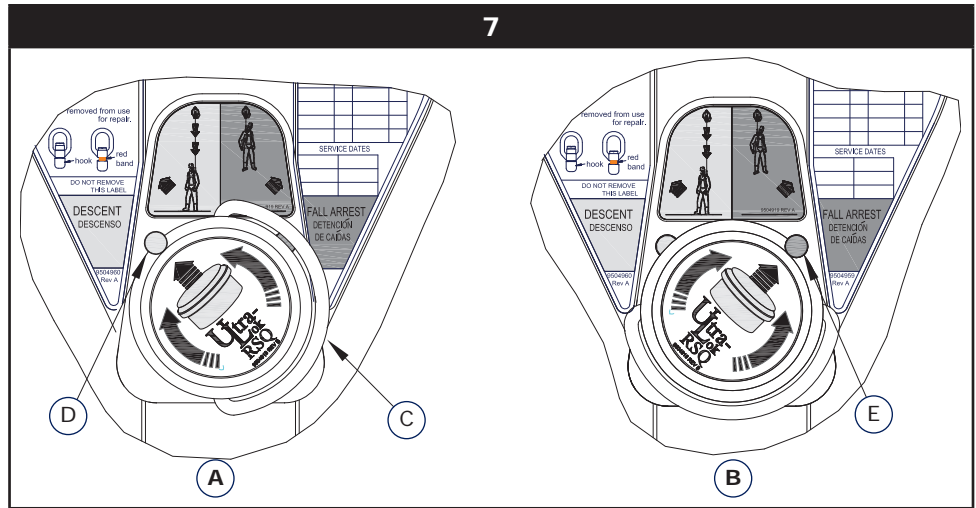
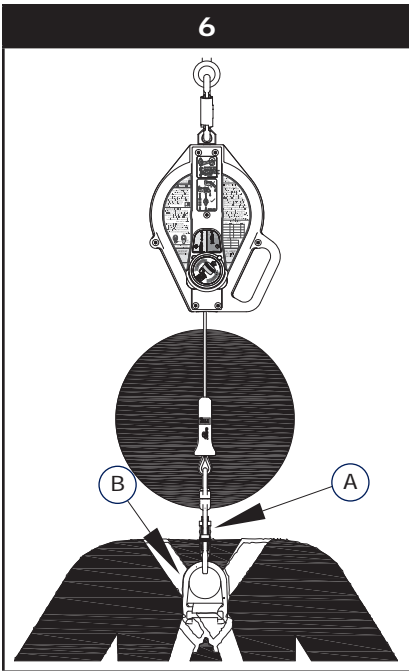
# = 49	
# = 48	

2

3

4

5



FORWARD: This instruction describes installation and use of the Ultra-Lok RSQ Self Retracting Lifeline (SRL). It should be used as part of an employee training program as required by CE.

IMPORTANT: Before using this equipment, record the product identification information from the Installation and Service Label on the Equipment Identification Sheet at the back of the "General Instructions for Use and Maintenance" (5902392).



GENERAL GLOSSARY REFERENCE BOXES: White Glossary Reference Boxes on the front cover of this instruction reference 'Glossary' items in the "General Instructions for Use and Maintenance" (5902392).

TRAINING: It is the responsibility of users of this equipment to understand these instructions and be trained in correct installation, use, and maintenance of this equipment. Users must be aware of the consequences of improper installation or use of this equipment. This instruction manual is not a substitute for a training program. Training must be provided on a periodic basis to ensure user proficiency.

DESCRIPTION: The Ultra-Lok RSQ SRL (Figure 1) provides both fall arrest and rescue capabilities. A Dual-mode Selection Knob allows the user to select between fall arrest for assisted rescue, or self-rescue which lowers the user to the ground or lower level. Available models of the Ultra-Lok RSQ SRL are defined in Table 1 and Table 2.

Table 1 - Ultra-Lok RSQ Controlled Descent SRL Models

Model Number ¹	Working Range	Lifeline Type	Hook Model ¹	Size (L x W x H)	Weight
3504553	15 m	Galvanized Wire Rope	9502194	29.69cm x 23.19cm x 15.09cm	8.8 kg
3504554	15 m	Stainless Steel Wire Rope	9502194	29.69cm x 23.19cm x 15.09cm	8.8 kg
3504555	15 m	Stainless Steel Wire Rope	2100044	29.69cm x 23.19cm x 15.09cm	8.8 kg

¹ See Table 2 for hook information.

Table 2 - Hook Information

Hook Model	Material	Description
9502194	Alloy Steel	Self Locking Swivel Snap Hook with Indicator, 16 kN Gate
2100044	Stainless Steel	Self Locking Swivel Snap Hook with Indicator, 16 kN Gate

PURPOSE: The Ultra-Lok RSQ SRL is designed for Fall Arrest and Descent:

- **Fall Arrest:** Ultra-Lok RSQ SRLs are components in Personal Fall Arrest Systems (PFAS) where fall hazards exist. PFAS typically include a Full Body Harness, an Anchorage Connector (e.g., Carabiner) and the SRL. SRLs are used in situations where worker mobility and fall protection is needed (inspection, general construction, maintenance, oil production, confined spaces, etc.).
- **Descent:** Ultra-Lok RSQ SRLs allow the worker to descend to safety in self-rescue applications. The Rescue Descent system typically includes a Full Body Harness, an Anchorage Connector, and the SRL.

LIMITATIONS: Installation and use of this equipment is restricted to the following limitations:

- **Corrosion:** Do not leave this equipment for long periods in environments where corrosion of metal parts could occur as a result of vapors from organic materials. Use caution when working around sewage or fertilizer with high concentrations of ammonia, which is very corrosive. Use near seawater or other corrosive elements may require more frequent inspection or service to ensure corrosion damage does not affect product performance.
- **Chemical Hazards:** Solutions containing acid or caustic chemicals, particularly at elevated temperatures, may damage DBI-SALA SRLs. When working with such chemicals, frequent inspection of the entire SRL must be completed. Chemical damage to the lifeline is difficult to detect and it is recommended that the lifeline be replaced periodically to ensure safety. The lifeline must be replaced by an authorized service agent. Consult DBI-SALA if in doubt about using this equipment around chemical hazards.
- **Heat:** This equipment is not designed for use in high temperature environments. Provide protection for this equipment when using near welding, metal cutting, or similar activities. Hot sparks may burn or damage this equipment. Contact DBI-SALA for details on use of this equipment in high temperature environments.
- **Electrical Hazards:** With wire rope lifelines, there is a possibility of electric current flowing through the lifeline. Use caution where the lifeline may contact high voltage power lines.
- **Capacity:** The SRL is designed for use by persons with a combined weight (clothing, tools, etc.) of 34 kg minimum and 141 kg maximum. No more than one person may be connected at one time.
- **Locking Speed:** Situations which do not allow for an unobstructed fall path should be avoided. Working in confined or cramped spaces may not allow sufficient speed to cause the SRL to lock in a fall. Working on slowly shifting materials, such as sand or grain, may not allow sufficient speed to cause the SRL to lock.

A similar situation may occur on low pitched roofs, where a worker may slide instead of fall. A clear path is required to ensure positive locking of the SRL.

- **Descent energy Rating & Descent Maximums:** The Descent Energy Rating, Maximum Descent Distance, and Maximum Descent Rate for the SRL are as follows:

Descent Energy Rating =	Max. Weight x Max. Height x # of Descents 141 kg x 15 m x 1 = 2,115 m-kg
Max. Descent Distance =	15 m
Max. Descent Rate =	1.8 m/s

- **Descent Speed:** When the SRL is in Descent Mode, the average Descent speed at which the user will be lowered to the ground is 0.6 m/s.
- **Horizontal Systems:** In applications where an SRL is used in conjunction with a horizontal system (i.e. horizontal I-beams, trolleys), the SRL and horizontal system components must be compatible. Horizontal systems must be designed and installed under the supervision of a qualified engineer.
- **Support Structures:** When using an SRL with a support structure (i.e. tripod, davit arm), ensure the support structure is compatible with the connection, operation, stability, and strength of the SRL.

SYSTEM PLANNING: Plan your fall protection system and how it will be used before starting your work. Consider all factors that will affect your safety before, during, and after a fall. Include the following consideration when planning your system:

- **Anchorage:** Figure 2 illustrates acceptable anchorage methods for the SRL. Select a rigid anchor point capable of supporting a load of 10 kN. Make only compatible connections to anchors conforming to EN795. Connect only to an overhead anchorage. Do not work above the anchorage (see Figure 3).
- **Swing Falls:** Swing falls may occur when the anchorage point is not directly above the point where a fall occurs (see Figure 4). The force of striking and object in a swing fall may cause serious injury or death. Minimize swing falls by working as close to the anchorage as possible. Do not permit a swing fall if injury could occur.
- **Descent Path and Landing Clearance:** Your descent path must be unobstructed. The landing area must be clear of obstructions to permit a safe landing (see Figure 5). Failure to provide an unobstructed descent path and landing area may result in serious injury or death.
- **System Length:** Make certain the system length is sufficient to reach the desired level. If the wire rope is too short, the descent will stop before the desired level is reached, leaving the worker suspended by the lifeline.
- **After a Fall:** Equipment subjected to fall arrest forces must be removed from service for inspection (see *Inspection*).

OPERATION: General procedures for using the *Ultra-Lok RSQ SRL* are as follows:

WARNING: Before each use, carefully inspect the *Ultra-Lok RSQ SRL* per the steps described in the *Inspection* section.

- A. **Body Support:** When using DBI-SALA SRLs, a full body harness must be worn. For general fall protection use, connect to the back D-ring. For situations such as ladder climbing, attach to the front of the harness. This is acceptable provided the potential free fall is very short, and footing can be easily regained.
- B. **Making Connections:** When using a hook or carabiner to make a connection, ensure roll-out cannot occur. Do not use a hook or carabiner that will not completely close over the anchorage or anchorage connector (see Figure 2). Follow the manufacturer’s instructions supplied with each system component. Connect the SRL to a suitable anchorage or anchorage connector (Figure 2).

Figure 6 illustrates connection to the full body harness. Connect the self-locking snap hook on the end of the lifeline (6A) to the fall arrest attachment on the full body harness (6B). Ensure connections are compatible in size, shape, and strength. Ensure the snap hook is securely closed and locked.

- C. **Fall Arrest/Descent Mode Selection:** Ultra-Lok RSQ SRLs are equipped with an Engagement Knob (Figure 7) to engage the SRL in Descent Mode (7A) or Fall Arrest Mode (7B). To select Fall Arrest or Descent Mode:
 1. Pull the Engagement Knob (7C) outward.
 2. Turn the Engagement Knob until the arrow on the face of the knob points to the Selection Notch for Descent Mode (7D) or Fall Arrest Mode (7E) and the Engagement Knob clicks into place with the Selection Notch.

IMPORTANT: *Ultra-Lok RSQ SRLs* are designed for emergency use only and may only be used for a single, vertical descent. If the SRL is used to descend, remove it from service immediately and inspect per the *Inspection* section in this manual.

D. Fall Arrest: When attached to the SRL, the worker is free to move about within recommended working areas at normal speeds. The lifeline should extend smoothly and retract without hesitation. If slack line condition is created in normal use the unit should be returned to DBI-SALA for service. Should a fall occur, the SRL will lock and arrest the fall. Upon rescue, remove the SRL from use. Inspect as described in the *Inspection* section. When working with the SRL, allow the lifeline to recoil back into the device under control. A short tag line may be required to extend or retract the lifeline during connection and disconnection. Allowing the lifeline to be fully extended for long periods of time may cause premature weakening of the retraction spring.

E. Assisted Rescue: In emergency situations, the Ultra-Lok RSQ SRL can be used to perform an assisted rescue and lower the victim to safety. The rescuer can disengage Fall Arrest Mode and start and stop descent with the Engagement Knob Pull Ring (Figure 8) or an optional Extension Pole Release Tool (Figure 9):

- **Engagement Knob Pull Ring:** To disengage Fall Arrest Mode and initiate descent, grasp the Pull Ring and pull the Engagement Knob straight out (8A). To stop descent; release the Pull Ring to re-engage Fall Arrest Mode (8B). To fully engage Descent Mode so descent continues without pulling the Pull Ring, turn the Engagement Knob counter-clockwise (8C) until the arrow on face of the knob points to the Descent Selection Notch (see Figure 7A).

NOTE: 0.36 kN - 0.45 kN of pulling force is required to release the Engagement Knob from Fall Arrest Mode.

- **Extension Pole Release Tool:** Insert the Extension Pole Release Tool from any direction so the ends of the Release Forks surround the base of the Engagement Knob below the Knurled Ridge and Pull Ring (9A). To disengage Fall Arrest Mode and initiate descent, push forward on the Extension Pole until the Engagement Knob is fully lodged between the Release Forks (9B). Descent will continue as long as the Engagement Knob is fully inserted between the Release Forks. To stop descent, pull the Extension Pole backward until the Engagement Knob re-engages Descent Mode (9C).

IMPORTANT: The Release Forks on the Extension Pole Release tool are tapered to push the Engagement Knob straight out as the forks are pushed forward on the knob. It is not necessary to pry the knob with the Extension Pole. Prying could break off the knob.

INSPECTION FREQUENCY: To ensure safe, efficient operation, the Ultra-Lok RSQ SRL should be inspected at the following intervals:

- **Before Each Use:** Visually inspect the SRL per the *Inspection* steps defined in the next section.
- **Annually:** A formal inspection of the SRL and its connection to the structure must be performed at least annually by a competent person other than the user. The frequency of formal inspections should be based on conditions of use or exposure. See the next section for *Inspection Steps*. Record the inspection results in the *Periodic Examination and Repair History* in the "General Instructions for Use and Maintenance" (5902392), or use the SRL's i-Safe™ RFID Tag (Figure 10) and i-Safe™ Reading Device to record information on the web based portal.

IMPORTANT: Extreme working conditions (harsh environment, prolonged use, etc.) may require increasing the frequency of inspections.

- **After Fall Arrest:** If the Ultra-Lok RSQ SRL has been subjected to a fall arrest or impact forces, it should be removed from service and inspected per the *Impact Indicator Inspection* and *Inspection Steps* sections.

IMPACT INDICATOR INSPECTION: The Ultra-Lok RSQ SRL is equipped with an Impact Indicator on the Lifeline Hook (see Figure 11). Inspect the Hook for an exposed Red Band (11A). If the Red Band is not exposed, the Hook is in Normal Mode (11B). If the Red Band is exposed, the Hook is in Indicated Mode (11C), indicating an impact load has occurred. The SRL should be removed from service for inspection. DO NOT attempt to reset the Impact Indicator. Return it to and authorized service center for resetting.

INSPECTION STEPS: Per the intervals defined in in *Inspection Frequency*, inspect the SRL as follows:

- Step 1.** Inspect for loose screws and bent or damaged parts.
- Step 2.** Inspect the SRL housing for distortion, cracks or other damage. Ensure the swivel eye is not damaged or distorted in any way. Ensure the swivel eye turns freely.
- Step 3.** The lifeline must fully extend and retract without hesitation or creating a slack line condition.
- Step 4.** Ensure the SRL locks up when the lifeline is jerked sharply. Lock-up must be positive, with no slipping.
- Step 5.** The labels must be present and fully legible (see *Labeling*)
- Step 6.** Look for signs of corrosion on the entire unit.
- Step 7.** Inspect lifeline (Figure 12) for cuts, kinks (12A), broken wires (12B), bird-caging, corrosion (12C), welding splatter (12D), chemical contact areas, or severely abraded areas (see Figure 12). Slide up the lifeline bumper (Figure 10) and inspect ferrules for cracks or damage and inspect wire rope for corrosion

and broken wires. The lifeline must be free of knots throughout its length. Inspect for excessive soiling, paint build-up, and rust staining. Inspect for chemical or heat damage indicated by brown, discolored, or brittle areas. Inspect for ultraviolet damage indicated by discoloration and the presence of splinters and slivers on the lifeline surface.

Step 8. Perform a hand pull test to verify proper operation of the Ultra-Lok RSQ SRL in Descent Mode:

- A. Grasp the lifeline cable and pull firmly and quickly to activate the system.
- B. Continue to pull out approximately 1 m of cable while engaging the SRL in Descent Mode (see *Fall Arrest/Descent Mode Selection*). The cable should pull fast and easy until Descent Mode is engaged; at which point, the cable should be much harder to pull.

Step 9. Inspect connecting hooks or carabiners for signs of damage, corrosion, and proper working condition.

Step 10. Inspect each system component or subsystem per associated manufacturer's instructions.

Step 11. Record the inspection results in the Periodic Examination and Repair History in the *"General Instructions for Use and Maintenance"* (5902392), or use the SRL's i-Safe™ RFID Tag (Figure 10) and i-Safe™ Reading Device to record information on the web based portal.

DEFECTS: If inspection or operation reveals a defective condition, remove the Ultra-Lok RSQ SRL from service and contact an authorized service center for repair.

IMPORTANT: Only Capital Safety, or parties authorized in writing, may make repairs to this equipment.

MAINTENANCE & SERVICE: Guidelines for maintaining and servicing the Ultra-Lok RSQ SRL are as follows:

- Periodically clean the exterior of the SRL with water and mild soap solution. Position the SRL so excess water can drain out. Clean labels as required.
- Clean the lifeline with water and mild soap solution. Rinse and thoroughly air dry. Do not force dry with heat. An excessive buildup of dirt, paint, etc., may prevent the lifeline from fully retracting, causing a potential free fall hazard. Replace the lifeline if there is excessive buildup.

WARNING: If the lifeline contacts acids, remove unit from service and wash with water and mild soap solution. Inspect unit before returning to service.

- Lifeline replacement and additional maintenance and servicing procedures must be completed by an authorized service center. Authorization and a return number must be issued by DBI-SALA. Do not lubricate any parts. Do not disassemble the SRL.

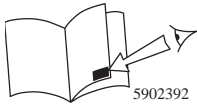
STORAGE: Store the Ultra-Lok RSQ SRL in a clean dry environment. Avoid areas where chemical vapors may exist. Do not pile objects on top of the SRL. Thoroughly inspect the SRL after extended storage. Clean and store body support and associated system components according to the manufacturer's instructions.

SPECIFICATIONS: See Figure 1 for physical dimensions and materials. Operating characteristics are as follows:

- *Working Range:* 15 m
- *Emergency Reserve:* In addition to the working range, there is a 61 cm emergency reserve.
- *Maximum Arresting Force:* 6 kN
- *Maximum Arresting Distance:* 2 m
- *Capacity:* 34 kg -141 kg

AVANT-PROPOS : cette notice décrit la procédure d'installation et d'utilisation de la ligne de vie autorétractable Ultra-Lok RSQ. Elle doit être utilisée dans le cadre de la formation d'un employé, tel que requis par les normes CE.

IMPORTANT : avant d'utiliser cet équipement, consigner les informations d'identification du produit se trouvant sur l'étiquette d'installation et d'entretien sur la fiche d'identification à la fin du « Mode d'emploi et d'entretien général » (5902392).



RENOIS AU GLOSSAIRE GÉNÉRAL : les renvois en blanc au glossaire de la page de couverture de cette notice correspondent aux éléments Glossaire du « Mode d'emploi général d'utilisation et d'entretien » (5902392).

FORMATION : il incombe aux utilisateurs de cet équipement de comprendre ces instructions et de se former à l'installation, à l'utilisation et à la maintenance de celui-ci. Les utilisateurs doivent être sensibilisés aux conséquences d'une installation ou de l'utilisation inappropriée de cet équipement. Ce manuel d'instructions ne prétend pas remplacer un programme de formation. La formation doit être dispensée sur une base régulière afin de garantir l'expertise des utilisateurs.

DESCRIPTION : la ligne de vie autorétractable Ultra-Lok RSQ (Figure 1) offre des capacités antichute et de sauvetage. Un bouton de sélection à deux positions permet à l'utilisateur de sélectionner le mode antichute pour un sauvetage assisté ou le mode autosauvetage pour s'abaisser au sol ou à un niveau inférieur. Les modèles de ligne de vie autorétractable Ultra-Lok RSQ disponibles sont décrits dans les tableaux 1 et 2.

Tableau 1 - Ultra-Lok RSQ Controlled Descent SRL Models

N° de modèle ¹	Plage de fonctionnement	Type de ligne de vie	Modèle de crochet ¹	Taille (L x l x H)	Poids
3504553	15 m	Câble acier galvanisé	9502194	29,69 cm x 23,19 cm x 15,09 cm	8,8 kg
3504554	15 m	Câbles d'acier inoxydable	9502194	29,69 cm x 23,19 cm x 15,09 cm	8,8 kg
3504555	15 m	Câbles d'acier inoxydable	2100044	29,69 cm x 23,19 cm x 15,09 cm	8,8 kg

¹ Voir le tableau 2 pour les informations sur le crochet.

Tableau 2 - Informations sur les crochets

Modèle de crochet	Matériau	Description
9502194	Alliage d'acier	Mousqueton à pivot autobloquant avec indicateur, ouverture de 16 kN
2100044	Acier inoxydable	Mousqueton à pivot autobloquant avec indicateur, ouverture de 16 kN

OBJECTIF : la ligne de vie autorétractable Ultra-Lok RSQ est conçue pour protéger contre les chutes et pour la descente :

- **Arrêt de chute libre** : les lignes de vie autorétractables Ultra-Lok RSQ sont des composants importants des systèmes antichute personnels, lorsque des dangers de chute peuvent être présents. Les systèmes antichute personnels sont composés d'un harnais corporel complet, d'un connecteur d'ancrage (par exemple, un mousqueton) et d'une ligne de vie autorétractable. Les lignes de vie autorétractables sont utilisées dans les situations nécessitant le maintien de la mobilité du travailleur et sa protection en cas de chute (inspection, construction, maintenance, production pétrolière, espaces confinés, etc.).
- **Descente** : les lignes de vie autorétractables Ultra-Lok RSQ permettent à l'ouvrier de descendre vers un endroit sûr dans les applications d'autosauvetage. Le système de descente et de sauvetage inclut généralement un harnais corporel complet, un connecteur d'ancrage et une ligne de vie rétractable.

LIMITES : il est indispensable de respecter les limitations suivantes lors de l'installation et de l'utilisation de cet équipement :

- **Corrosion** : ne pas laisser cet équipement pendant de longues périodes dans des environnements pouvant causer une corrosion des éléments métalliques, du fait de la libération dans l'atmosphère de vapeurs par des matières organiques. Faire preuve de prudence lors d'interventions à proximité d'eaux usées ou d'engrais à concentration élevée en ammoniac, qui est particulièrement corrosif. Toute utilisation près de l'eau de mer ou autres environnements corrosifs peut exiger des inspections ou des révisions plus fréquentes afin de veiller à ce que les dommages de corrosion n'affectent pas la performance du produit.
- **Dangers chimiques** : les solutions contenant des acides, des alcalis ou autres produits chimiques caustiques, plus particulièrement à des températures élevées, peuvent endommager les lignes de vie autorétractables DBI-SALA. Si ces éléments chimiques sont présents dans l'environnement de travail, inspecter fréquemment la ligne de vie autorétractable. Les dommages chimiques causés à la ligne de vie sont difficiles à détecter et il est recommandé de la remplacer régulièrement afin d'assurer la sécurité. La ligne de vie doit impérativement être remplacée par un centre de service agréé. Consulter DBI-SALA en cas de question sur l'utilisation de cet équipement en présence de dangers chimiques.
- **Chaleur** : cet équipement n'est pas conçu pour être utilisé dans des environnements à haute température. En cas d'utilisation à proximité de postes de soudure, de coupe de métal ou d'activités similaires, il faut protéger l'équipement. Des projections brûlantes peuvent brûler ou endommager l'équipement. Consulter DBI-SALA pour obtenir plus de détails sur l'utilisation de cet équipement dans des environnements à haute température.

- **Dangers électriques** : dans le cas de lignes de vie métalliques, il est possible que le courant électrique passe dans le câble de la ligne. Faire preuve de prudence lorsque la ligne de vie peut entrer en contact avec des lignes à haute tension.
- **Capacité** : la ligne de vie autorétractable est conçue pour être utilisée par des personnes dont le poids total (vêtements, outils, etc.) se situe entre 34 kg et 141 kg. Une seule personne à la fois peut être attachée à la ligne.
- **Vitesse de blocage** : les situations qui ne permettent pas un chemin de chute non obstrué doivent être évitées. Travailler dans des espaces confinés ou encombrés peut ne pas permettre une vitesse suffisante pour entraîner le blocage de la ligne de vie autorétractable au cours d'une chute. Travailler sur des matériaux légèrement instables, telles que le sable ou le gravier, peut également ne pas permettre une vitesse suffisante pour entraîner le blocage de la ligne de vie. Une situation similaire pourrait se produire sur des toits faiblement inclinés où un travailleur pourrait glisser plutôt que de tomber. Un environnement dégagé est indispensable pour assurer un verrouillage correct de la ligne de vie autorétractable.
- **Spécification d'énergie et de valeurs maximales de descente** : les spécifications d'énergie, de distance maximale et de taux maximal de descente des lignes de vie autorétractables sont les suivantes :

Spécification d'énergie de descente =	Poids max. x Hauteur max. x Nombre de descentes 141 kg x 15 m x 1 = 2,115 m·kg
Distance maximale de descente =	15 m
Taux maximal de descente =	1,8 m/s

- **Vitesse de descente** : lorsque la ligne de vie autorétractable est en mode Descente, la vitesse moyenne à laquelle l'utilisateur peut être abaissé au sol est de 0,6 m par seconde.
- **Systèmes horizontaux** : dans les applications utilisant une ligne de vie autorétractable en conjonction avec un système horizontal (c'est-à-dire avec des poutres en I et des chariots horizontaux), celle-ci doit être compatibles avec les composants du système horizontal. Les systèmes horizontaux doivent être conçus et installés sous le contrôle d'un ingénieur agréé.
- **Structures de support** : si la ligne de vie autorétractable est utilisée avec une structure de support (par exemple, un trépied ou un pylone), vérifier que cette dernière est compatible avec le raccordement, le fonctionnement, la stabilité et la force de la ligne.

PLANIFICATION DU SYSTÈME : prévoir l'implantation du système antichute et son utilisation avant le début de l'intervention. Prendre en compte tous les facteurs qui pourraient affecter la sécurité avant, pendant et après une chute, notamment :

- **Ancrage** : la Figure 2 illustre les méthodes correctes d'ancrage de la ligne de vie autorétractable. Sélectionner un point d'ancrage capable de supporter une charge de 10 kN. Réaliser uniquement des raccordements compatibles avec le matériel d'ancrage conformément à la norme EN795. Connecter uniquement à un matériel d'ancrage au-dessus du niveau de la tête. Ne pas travailler au-dessus du point d'ancrage (Figure 3).
- **Chutes en mouvement pendulaire** : les chutes en mouvement pendulaire se produisent lorsque le point d'ancrage ne se trouve pas directement au-dessus du point de chute (Figure 4). Heurter un objet pendant le balancement consécutif à une chute peut causer des blessures graves ou la mort. Afin de minimiser le risque de chute en mouvement pendulaire, travailler le plus près possible du point d'ancrage. Éviter tout risque de chute en mouvement pendulaire si des risques de blessure sont présents.
- **Trajectoire de descente et zone d'atterrissage** : la trajectoire de descente doit être libre d'obstruction. La zone d'atterrissage doit également être libre d'obstruction pour permettre un atterrissage en toute sécurité (Figure 5). Le non-respect de ces consignes peut entraîner la mort ou des blessures graves.
- **Longueur du système** : s'assurer que la longueur du système est suffisante pour atteindre le niveau souhaité. Si le câble est trop court, la descente sera interrompue avant d'atteindre le niveau souhaité, laissant l'ouvrier suspendu par la ligne de vie.
- **Après une chute** : l'équipement ayant subi des forces antichute doit être retiré du service et inspecté (voir la section *Inspection*).

FONCTIONNEMENT : les procédures générales d'utilisation de la ligne de vie autorétractable *Ultra-Lok RSQ* sont les suivantes :

AVERTISSEMENT : avant chaque utilisation, inspecter soigneusement la ligne de vie autorétractable *Ultra-Lok* en suivant les étapes décrites dans la section *Inspection*.

- A. Support du corps** : lors de l'utilisation des lignes de vie autorétractables DBI-SALA, porter un harnais corporel complet. Pour une protection antichute générale, raccorder la ligne à l'anneau en D dorsal. En cas d'escalade d'échelle, l'attacher au front du harnais. Cela est approprié dans les cas où la chute libre potentielle est très courte et où la remise sur pied est facilement rétablie.
- B. Raccordement** : en cas d'utilisation d'un crochet ou d'un mousqueton pour effectuer un raccordement, vérifier qu'un déroulement ne peut pas se produire. Ne pas utiliser un crochet ou un mousqueton qui ne peut être complètement fermé sur le point d'ancrage ou le connecteur (Figure 2). Suivre les instructions du fabricant fournies avec chaque composant du système. Raccorder la ligne de vie autorétractable à un point d'ancrage ou à connecteur approprié (Figure 2).

La Figure 6 illustre le raccordement à un harnais corporel complet. Raccorder le mousqueton à pression autobloquant situé à l'extrémité de la ligne de vie autorétractable (6A) au système antichute situé sur la harnais corporel (6B). Toutes les fixations doivent être compatibles en termes de taille, de forme et de force. Vérifier que le mousqueton est bien verrouillé.

- C. **Sélection du mode Antichute/Descente** : les lignes de vie autorétractables sont équipées d'un bouton (Figure 7) permettant de sélectionner le mode Descente (7A) ou Antichute (7B). Pour sélectionner le mode Antichute ou Descente :
1. Tirer le bouton vers l'extérieur (7C).
 2. Tourner le bouton jusqu'à ce que la flèche située sur sa surface pointe vers l'encoche de sélection Descente (7D) ou Antichute (7E) et que le bouton s'aligne avec l'encoche.

IMPORTANT : les lignes de vie autorétractables sont conçues pour une utilisation en cas d'urgence uniquement et ne peuvent être utilisées que pour une seule descente verticale. Si une ligne est utilisée pour une descente, la retirer immédiatement du service et l'inspecter conformément à la section *Inspection de ce manuel*.

- D. **Arrêt de chute libre** : lorsqu'il est attaché à une ligne de vie autorétractable, l'ouvrier peut se déplacer librement à une allure normale dans la zone de travail recommandée. La ligne de vie doit se tendre sans chocs et se rétracter sans hésitation. Si la ligne se relâche durant l'usage normal, l'unité doit être renvoyée à DBI-SALA pour inspection. En cas de chute, la ligne de vie autorétractable se bloque et arrête la chute. À l'issue du sauvetage, ne plus l'utiliser. Inspecter selon les instructions décrites dans la section *Inspection*. Lors de l'utilisation de la ligne de vie autorétractable, la laisser revenir en arrière dans le dispositif. Un câble stabilisateur court peut être nécessaire pour dérouler ou rétracter la ligne de vie durant la connexion et la déconnexion. Si la ligne de vie est déroulée complètement pour de longues périodes, le ressort de rétraction peut se détendre prématurément.
- E. **Sauvetage assisté** : dans des situations d'urgence, la ligne de vie autorétractable Ultra-Lok RSQ peut être utilisée pour effectuer un sauvetage assisté et abaisser la victime en lieu sûr. Le sauveteur peut désengager le mode Antichute et démarrer ou arrêter la descente à l'aide de la tirette du bouton de sélection (Figure 8) ou d'un outil facultatif de relâche du mât d'extension (Figure 9) :

- **Tirette du bouton de sélection** : pour désengager le mode Antichute et commencer la descente, saisir la tirette et tirer sur le bouton de sélection (8A). Pour arrêter la descente, relâcher la tirette et réengager le mode Antichute (8B). Pour engager complètement le mode Descente, afin de continuer la descente sans tirer sur la tirette, tourner le bouton de sélection dans le sens contraire des aiguilles d'une montre (8C) jusqu'à ce que la flèche située sur la surface du bouton pointe vers l'encoche de sélection Descente (Figure 7A).

REMARQUE : une force de tirage de 0,36 kN à 0,45 kN est nécessaire pour dégager le bouton de sélection du mode Antichute.

- **Outil de relâche du mât d'extension** : insérer l'outil de relâche du mât d'extension dans n'importe quelle direction, de telle sorte que l'extrémité des fourches de relâche entoure la base du bouton de sélection, en-dessous de la saillie moletée et de la tirette (9A). Pour désengager le mode Antichute et commencer la descente, pousser vers l'avant sur le mât d'extension jusqu'à ce que le bouton de sélection soit complètement logé entre les fourches de relâche (9B). La descente continuera tant que le bouton de sélection est complètement inséré entre les fourches de relâche. Pour arrêter la descente, tirer le mât d'extension vers l'arrière jusqu'à ce que le bouton de sélection soit réengagé en mode Descente (9C).

IMPORTANT : les fourches situées sur l'outil de relâche du mât d'extension sont aplaties pour permettre de pousser tout droit sur le bouton de sélection pour le faire sortir, en même temps que les fourches sont poussées vers l'avant sur le bouton. Il n'est pas nécessaire de forcer le bouton avec le mât d'extension. Cela risquerait de casser le bouton.

FRÉQUENCE D'INSPECTION : pour assurer un fonctionnement sûr et efficace, la ligne de vie autorétractable Ultra-Lok RSQ doit être inspectée selon les intervalles de temps suivants :

- **Avant chaque utilisation** : inspecter visuellement la ligne de vie autorétractable conformément aux étapes d'*inspection* définies dans la section suivante.
- **Chaque année** : une inspection officielle de la ligne de vie autorétractable et de ses raccordements doit être effectuée au moins une fois par an, par une personne compétente autre que l'utilisateur. La fréquence des inspections officielles dépend des conditions d'utilisation et de l'exposition. Consulter la section suivante pour les étapes d'*inspection*. Consigner les résultats de l'inspection dans l'*historique des réparations et des vérifications périodiques* du « *Mode d'emploi général d'utilisation et d'entretien* » (5902392), ou utiliser l'étiquette i-Safe RFID (Figure 10) et le dispositif de lecture i-Safe™ de la ligne de vie autorétractable pour enregistrer les informations sur le portail Web.

IMPORTANT : des conditions de travail extrêmes (environnement hostile, utilisation prolongée, etc.) peuvent nécessiter des inspections plus fréquentes.

- **Après un arrêt de chute libre** : si la ligne de vie autorétractable Ultra-Lok RSQ a subi un arrêt de chute ou des forces d'impact, elle doit être retirée du service et inspectée conformément aux sections *Inspection de l'indicateur d'impact* et *Étapes d'inspection*.

INSPECTION DE L'INDICATEUR D'IMPACT : la ligne de vie autorétractable Ultra-Lok RSQ est équipée d'un indicateur d'impact sur le crochet de la ligne de vie (Figure 11). Inspecter le crochet pour détecter une bandelette rouge exposée (11A). Si la bandelette rouge n'est pas exposée, le crochet est normal (11B). Si elle est exposée, le crochet est marqué (11C), c'est-à-dire qu'une charge d'impact a eu lieu. La ligne de vie autorétractable doit être retirée du service et être inspectée. NE PAS tenter de réinitialiser l'indicateur d'impact. Le renvoyer à un centre de réparation agréé.

ÉTAPES D'INSPECTION : inspecter la ligne de vie autorétractable, conformément aux intervalles définis dans la section *Fréquence d'inspection*, comme suit :

- Étape 1.** Rechercher les vis desserrées, les pièces pliées ou endommagées.
- Étape 2.** Inspecter le boîtier de la ligne de vie autorétractable pour détecter les déformations, les fissures ou autres dommages. Vérifier que l'émerillon n'est ni endommagé ni déformé de quelque façon que ce soit. Vérifier qu'il tourne librement.
- Étape 3.** La ligne de vie doit se dérouler et se rétracter entièrement sans hésitation et sans relâchement.
- Étape 4.** Vérifier que la ligne de vie autorétractable se bloque lorsqu'elle est secouée violemment. Le blocage doit être franc, sans aucun glissement.
- Étape 5.** Les étiquettes doivent être correctement fixées et parfaitement lisibles (voir *Étiquetage*)
- Étape 6.** Rechercher des traces de corrosion éventuelles sur l'ensemble du dispositif.
- Étape 7.** Inspecter la ligne de vie (Figure 12) pour détecter des coupures, des pliures(12A), des cassures (12B), des nids de fils brisés, des corrosion (12C), des zones touchées par des éclaboussures de soudage (12D), des contacts avec des produits chimiques ou des zones sérieusement érodées (Figure 12). Glisser le butoir de la ligne de vie autorétractable (Figure 10) vers le haut et inspecter les bagues pour détecter les fissures ou les dommages. Inspecter les câbles pour vérifier qu'il n'y a pas de corrosion ni de déchirement. La ligne de vie doit être exempte de nœuds sur toute sa longueur. Détecter les saletés excessives, l'accumulation de peinture et la rouille. Vérifier l'absence de dommages chimiques ou thermiques indiqués par des parties brunes, décolorées ou effritées. Vérifier les dommages dus aux ultraviolets indiqués par une décoloration et la présence d'éclats et d'écaillés à la surface des sangles.
- Étape 8.** Effectuer un test manuel de traction pour vérifier le bon fonctionnement de la ligne de vie autorétractable en mode Descente :
- A. Saisir le câble de la ligne de vie autorétractable et tirer fermement et rapidement pour activer le système.
 - B. Continuer à tirer environ sur 1 m de câble tout en engageant la ligne de vie autorétractable en mode Descente (voir Sélection du mode Antichute/Descente). Le câble doit pouvoir être tiré rapidement et facilement jusqu'à ce que le mode Descente soit engagé, puis il doit devenir bien plus difficile à tirer.
- Étape 9.** Inspecter les crochets de raccordement ou les mousquetons pour détecter des signes de dégâts, de corrosion et pour vérifier leur fonctionnement.
- Étape 10.** Inspecter chaque composant du système ou du sous-système conformément aux instructions des fabricants associés.
- Étape 11.** Consigner les résultats de l'inspection dans l'historique des réparations et des vérifications périodiques du « *Mode d'emploi général d'utilisation et d'entretien* » (5902392), ou utiliser l'étiquette i-Safe RFID (Figure 10) et le dispositif de lecture i-Safe™ de la ligne de vie autorétractable pour enregistrer les informations sur le portail Web.

DÉFAUTS : si l'inspection ou le fonctionnement révèle des défauts, retirer la ligne de vie autorétractable Ultra-Lok RSQ du service et contacter un centre de service agréé pour la faire réparer.

IMPORTANT : seul Capital Safety ou les parties autorisées par écrit sont habilitées à effectuer des réparations sur ce matériel.

ENTRETIEN ET RÉPARATION : les procédures générales d'entretien et de réparation de la ligne de vie autorétractable Ultra-Lok RSQ sont les suivantes :

- Nettoyer périodiquement l'extérieur de la ligne de vie autorétractable avec de l'eau et un détergent doux. Positionner la ligne de vie autorétractable de façon à ce que l'eau puisse s'écouler. Nettoyer les étiquettes de façon appropriée.
- Nettoyer la ligne de vie avec de l'eau et un détergent doux. Rincer et bien sécher à l'air. Ne pas sécher à l'aide d'une source de chaleur. Une accumulation excessive de saletés, de peinture, etc., peut empêcher la ligne de vie de se rétracter complètement et entraîner un risque de chute libre. Remplacer la ligne de vie en cas d'accumulation excessive.

AVERTISSEMENT : en cas de contact de la ligne de vie avec des acides, ne plus utiliser le dispositif et le laver à l'eau et au savon doux. Inspecter la ligne de vie avant de la remettre en service.

- Le remplacement de la ligne de vie et les procédures d'entretien et de réparation ne doivent être effectués que par un centre de service autorisé. Une autorisation et un numéro d'identification doivent être délivrés par DBI-SALA. Ne pas lubrifier les pièces. Ne pas démonter la ligne de vie autorétractable.

STOCKAGE : ranger la ligne de vie autorétractable dans un environnement propre et sec. Éviter les zones contenant des vapeurs chimiques. Ne pas empiler d'objets sur la ligne de vie autorétractable. L'inspecter soigneusement après une période de stockage prolongée. Nettoyer et stocker le système de soutien du corps et ses composants conformément aux instructions du fabricant.

CARACTÉRISTIQUES TECHNIQUES : voir la Figure 1 pour les dimensions physiques et les matériaux. Les caractéristiques de fonctionnement sont les suivantes :

- *Plage de fonctionnement* : 15 m
- *Réserve d'urgence* : outre la plage de fonctionnement, il existe une réserve d'urgence de 61 cm.
- *Force d'arrêt maximum* : 6 kN
- *Distance d'arrêt maximum* : 106 cm
- *Capacité* : 34 kg à 141 kg

IMPORTANTE: queste istruzioni illustrano l'installazione e l'uso de cavo di sicurezza autoretrattile Ultra-Lok RSQ Self Retracting Lifeline (SRL). Devono essere impiegate nell'ambito di un programma di formazione dei dipendenti, come richiesto dalle direttive CE.

IMPORTANTE: prima di utilizzare questa attrezzatura, occorre riportare le informazioni identificative del prodotto dall'etichetta di installazione e assistenza nella Scheda d'identificazione dell'attrezzatura sul retro delle "Istruzioni generali per l'uso e la manutenzione" (5902392).



RIQUADRI GENERALI DI RIFERIMENTO AL GLOSSARIO: i riquadri bianchi di riferimento al glossario riportati sulla copertina anteriore di questo manuale fanno riferimento agli elementi del "Glossario" delle "Istruzioni generali per l'uso e la manutenzione" (5902392).

FORMAZIONE: spetta agli utenti dell'attrezzatura leggere e comprendere le relative istruzioni e addestrarsi all'installazione, all'uso e alla manutenzione corretti. Gli utenti devono essere consapevoli delle conseguenze di un'installazione o di un uso scorretti dell'attrezzatura. Questo manuale d'istruzioni non sostituisce un programma di formazione. La formazione deve essere fornita periodicamente per garantire la competenza degli utenti.

DESCRIZIONE: l'Ultra-Lok RSQ SRL (figura 1) assicura funzionalità di arresto caduta e di salvataggio. Una manopola di selezione a due livelli consente all'utente di scegliere l'arresto caduta per il salvataggio assistito o per l'autosalvataggio, che fa scendere l'utente a livello del terreno o a un livello inferiore. I modelli disponibili dell'Ultra-Lok RSQ SRL sono descritti nelle tabelle 1 e 2.

Tabella 1 - Modelli Ultra-Llok RrSQ Controlled Descent SRL					
Numero di modello ¹	Gamma di lavoro	Tipo di cavo di sicurezza	Modello di gancio ¹	Dimensioni (L x P x H)	Peso
3504553	15 m	Fune metallica galvanizzata	9502194	29,69 cm x 23,19 cm x 15,09 cm	8,8 kg
3504554	15 m	Funi metalliche in acciaio inossidabile	9502194	29,69 cm x 23,19 cm x 15,09 cm	8,8 kg
3504555	15 m	Funi metalliche in acciaio inossidabile	2100044	29,69 cm x 23,19 cm x 15,09 cm	8,8 kg

¹ Consultare la tabella 2 per le informazioni sul gancio.

Tabella 2 - Informazioni sul gancio		
Modello di gancio	Materiale	Descrizione
9502194	Lega di acciaio	Gancio a scatto autobloccante girevole con indicatore, chiusura 16 kN
2100044	Acciaio inossidabile	Gancio a scatto autobloccante girevole con indicatore, chiusura 16 kN

SCOPO: l'Ultra-Lok RSQ SRL è progettato per l'arresto caduta e la discesa:

- **Arresto caduta:** gli Ultra-Lok RSQ SRL sono componenti dei sistemi anticaduta personali in presenza di pericolo di caduta. I sistemi anticaduta personali includono generalmente un'imbracatura professionale, un connettore di ancoraggio (ossia un moschettone) e il cavo SRL. I cavi SRL vengono utilizzati in situazioni in cui è necessaria la mobilità del lavoratore e la protezione dalle cadute (lavoro di ispezione, costruzioni, manutenzione, produzione petrolifera, lavoro in spazi ristretti ecc).
- **Discesa:** l'Ultra-Lok RSQ SRL consente al lavoratore di scendere in condizione di sicurezza in applicazioni di autosalvataggio. Il sistema di discesa di salvataggio include generalmente un'imbracatura professionale, un connettore di ancoraggio e il cavo SRL.

LIMITAZIONI: l'installazione e l'utilizzo della presente attrezzatura sono soggetti alle seguenti limitazioni:

- **Corrosione:** non lasciare l'attrezzatura per lunghi periodi in ambienti dove potrebbe verificarsi la corrosione delle parti metalliche dovuta a vapori da materiali organici. Prestare attenzione durante l'utilizzo in presenza di acque di scarico o fertilizzanti ad elevato contenuto di ammoniaca, una sostanza molto corrosiva. L'utilizzo nelle vicinanze di acqua di mare o altri ambienti corrosivi potrebbe richiedere ispezioni o interventi di manutenzione più frequenti volte a garantire che i danni della corrosione non influiscano sulle prestazioni del prodotto.
- **Sostanze chimiche:** soluzioni contenenti acidi o altre sostanze chimiche caustiche, in particolare a temperature elevate, possono danneggiare il cavo SRL DBI-SALA. Durante l'uso in presenza di tali sostanze chimiche, è necessario ispezionare frequentemente l'intero SRL. I danni al cavo di sicurezza dovuti a sostanze chimiche sono difficili da rilevare e si raccomanda la sostituzione periodica del cavo di sicurezza al fine di garantire la sicurezza. Il cavo di sicurezza deve essere sostituito da un centro di assistenza autorizzato. Consultare DBI-SALA in caso di dubbi sull'uso di questa attrezzatura in ambienti esposti a sostanze chimiche.
- **Calore:** la presente attrezzatura non è progettata per essere usata a temperature elevate. Proteggere l'attrezzatura quando viene utilizzata vicino a zone dedicate alla saldatura, taglio del metallo, o attività simili. Scintille calde rischiano di bruciare o danneggiare l'attrezzatura. Contattare DBI-SALA per informazioni dettagliate sull'uso di questa attrezzatura in ambienti ad elevate temperature.

- **Rischi di carattere elettrico:** con cavi di sicurezza metallici esiste la possibilità che il flusso della corrente elettrica percorra il cavo. Adottare la massima cautela nei casi in cui il cavo di sicurezza può entrare in contatto con linee elettriche ad alto voltaggio.
- **Portata:** questa attrezzatura è stata progettata per essere utilizzata da soggetti con peso combinato (abbigliamento, attrezzi ecc.) non inferiore a 34 kg e non superiore a 141 kg. Non è possibile collegare più di una persona alla volta.
- **Velocità di arresto:** evitare situazioni che non consentono una traiettoria di caduta libera. Lavorare in spazi molto stretti o bloccati potrebbe impedire il raggiungimento della velocità di arresto adeguata dell'SRL in caso di caduta. Lavorare su materiali a lento spostamento, come sabbia o sementi, potrebbe impedire il raggiungimento della velocità di arresto adeguata per bloccare l'SRL. Una situazione simile potrebbe verificarsi su tetti spioventi dove l'operaio potrebbe scivolare invece di cadere. È necessaria una traiettoria sgombra per garantire l'efficacia dell'arresto del cavo SRL.
- **Valutazione energetica discesa e valori massimi discesa:** i valori di valutazione energetica discesa, distanza massima discesa e velocità massima discesa per il cavo SRL sono i seguenti:

Valutazione energetica discesa =	peso max. x altezza max. x n. di discese 141 kg x 15 m x 1 = 2.115 m·kg
Distanza massima discesa =	15 m
Velocità massima discesa =	1,8 m/s

- **Velocità di discesa:** quando il cavo SRL è in modalità di discesa, la velocità di discesa media a cui l'utente viene calato al suolo è di 0,6 m/s.
- **Sistemi orizzontali:** nelle applicazioni dove un SRL viene usato insieme a un sistema orizzontale (ovvero, travi a I e carrelli orizzontali), i componenti del sistema orizzontale e il cavo SRL devono essere compatibili. I sistemi orizzontali devono essere progettati e installati sotto la supervisione di un tecnico qualificato.
- **Strutture di supporto:** quando si utilizza un SRL con una struttura di supporto (ovvero, treppiede, braccio della gru) assicurarsi che quest'ultima sia compatibile con la connessione, il funzionamento, la stabilità e la forza del cavo SRL.

PIANIFICAZIONE DEL SISTEMA: pianificare il sistema di protezione anticaduta e il suo impiego prima di iniziare a servirsene. Considerare tutti i fattori che possono influire sulla propria sicurezza prima, durante e dopo una caduta. Tenere conto dei seguenti importanti punti durante la pianificazione del sistema:

- **Ancoraggio:** la figura 2 illustra i metodi accettabili di ancoraggio per il cavo SRL. Selezionare un punto di ancoraggio rigido capace di sostenere un carico di 10 kN. Effettuare unicamente collegamenti compatibili ai punti di ancoraggio, secondo la norma EN 795. Collegare unicamente ad un ancoraggio posto al di sopra del capo. Non lavorare al di sopra del punto di ancoraggio (vedere figura 3).
- **Cadute in oscillazione:** le cadute in oscillazione si verificano quando il punto di ancoraggio non è esattamente al di sopra del punto in cui si verifica la caduta (vedere figura 4). La forza d'urto contro un oggetto durante una caduta in oscillazione può causare gravi lesioni personali o la morte. Ridurre al minimo le cadute in oscillazione lavorando il più vicino possibile all'ancoraggio. Non consentire cadute in oscillazione per evitare lesioni.
- **Percorso di discesa e area di atterraggio:** il percorso di discesa deve essere sgombro da ostacoli. L'area di atterraggio deve essere libera da ostacoli per permettere un atterraggio sicuro (vedere figura 5). Percorsi di discesa ed aree di atterraggio non sgombri da ostacoli possono causare lesioni gravi o morte.
- **Lunghezza del sistema:** assicurarsi che la lunghezza del sistema sia sufficiente a raggiungere il livello desiderato. Se la fune metallica è troppo corta, la discesa si arresterà prima che sia possibile raggiungere il livello desiderato e il lavoratore resterà sospeso al cavo di sicurezza.
- **Dopo una caduta:** l'attrezzatura che è stata soggetta a forze anticaduta deve essere tolta dal servizio per ispezione (consultare *Ispezione*).

FUNZIONAMENTO: le procedure generali di utilizzo dell'*Ultra-Lok RSQ SRL* sono le seguenti:

AVVERTENZA: prima dell'uso, ispezionare accuratamente ogni volta l'*Ultra-Lok RSQ SRL* seguendo i passaggi descritti nella sezione *Ispezione*.

- A. **Supporto corporeo:** quando si utilizzano i cavi SRL DBI-SALA, è necessario indossare un'imbracatura integrale. Per un utilizzo generico di protezione anticaduta, collegare l'anello a D sul retro. Per situazioni di salita su scale, collegare il lato anteriore dell'imbracatura. Tale accorgimento è accettabile purché l'eventuale caduta libera sia molto breve e sia possibile mettere i piedi a terra facilmente.
- B. **Realizzazione dei collegamenti:** quando si utilizza un gancio o un moschettone per fare una connessione, assicurare che non si verifichino fuoriuscite. Non usare ganci o moschettoni che non si chiudono completamente sopra agli ancoraggi o ai connettori di ancoraggio (vedere figura 2). Rispettare le istruzioni fornite dal produttore con ogni componente del sistema. Collegare il cavo SRL a un ancoraggio o connettore di ancoraggio adatto (figura 2).

La figura 6 mostra la connessione all'imbracatura professionale. Collegare il gancio a scatto autobloccante situato all'estremità del cavo di sicurezza (6A) all'attacco anticaduta sull'imbracatura (6B). Accertarsi che i connettori siano di dimensioni, forma e forza compatibili. Verificare che il moschettone con gancio sia chiuso saldamente e bloccato.

C. **Selezione modalità arresto caduta/discesa:** i cavi Ultra-Lok RSQ SRL sono dotati di una manopola di innesto (figura 7) per innestare il cavo SRL in modalità Discesa (7A) o in modalità Arresto caduta (7B). Per selezionare la modalità Arresto caduta o Discesa:

1. Tirare la manopola di innesto (7C) verso l'esterno.
2. Ruotarla fino a quando la freccia sul lato frontale della manopola punta verso la tacca di selezione della modalità Discesa (7D) o della modalità Arresto caduta (7E) e la manopola scatta in posizione con un clic insieme alla tacca di selezione.

IMPORTANTE: i cavi Ultra-Lok RSQ SRL sono progettati esclusivamente per uso in caso di emergenza e possono essere utilizzati soltanto per un'unica discesa verticale. Se il cavo SRL viene utilizzato per la discesa, metterlo immediatamente fuori servizio ed eseguire un'ispezione in base alla relativa sezione di questo manuale.

D. **Arresto caduta:** quando è collegato al cavo SRL, il lavoratore è libero di spostarsi all'interno delle aree di lavoro consigliate a velocità normale. Il cavo di sicurezza deve estendersi e ritrarsi senza esitazione. Se durante l'uso normale il cavo è lasco, l'SRL deve essere restituito a DBI-SALA per l'assistenza. Se si verifica una caduta, l'SRL si blocca e arresta la caduta. All'atto di un salvataggio, rimuovere l'SRL dall'uso. Ispezionare come descritto nella sezione *Ispezione*. Quando si lavora con l'SRL, consentire sempre al cavo di sicurezza di riavvolgersi nel dispositivo sotto controllo. Un cavo di controvento può essere necessario per estendere o ritrarre il cavo di sicurezza durante la connessione e la disconnessione. Se il cavo di sicurezza resta completamente esteso per lunghi periodi di tempo, ciò potrebbe causare il prematuro indebolimento della molla di richiamo.

E. **Salvataggio assistito:** in situazioni di emergenza, il cavo Ultra-Lok RSQ SRL può essere utilizzato per eseguire un salvataggio assistito e calare la vittima al sicuro. Il soccorritore può disinnestare la modalità Arresto caduta e avviare e arrestare la discesa con l'anello tenditore della manopola di innesto (figura 8) o uno strumento di rilascio della prolunga (figura 9):

- **Anello tenditore della manopola di innesto:** per disinnestare la modalità Arresto caduta e cominciare la discesa, afferrare l'anello tenditore e tirare completamente verso l'esterno la manopola di innesto (8A). Per arrestare la discesa, rilasciare l'anello tenditore per innestare di nuovo la modalità Arresto caduta (8B). Per innestare completamente la modalità Discesa affinché la discesa continui senza dover tirare l'anello tenditore, ruotare la manopola di innesto in senso antiorario (8C) fino a quando la freccia sul lato frontale della manopola punta verso la tacca di selezione della modalità Discesa (vedere figura 7A).

NOTA: occorre una forza di trazione compresa tra 0,36 e 0,45 kN per rilasciare la manopola di innesto dalla modalità Arresto caduta.

- **Strumento di rilascio della prolunga:** inserire lo strumento di rilascio della prolunga da qualsiasi direzione affinché le estremità delle forche di rilascio circondino la base della manopola di innesto al di sotto della punta del pomello e dell'anello tenditore (9A). Per disinnestare la modalità Arresto caduta e avviare la discesa, spingere in avanti sulla prolunga fino a quando la manopola di innesto è inserita completamente tra le forche di rilascio (9B). La discesa continua fino a quando la manopola di rilascio è collocata completamente tra le forche di rilascio. Per arrestare la discesa, tirare la prolunga all'indietro fino a quando la manopola di innesto si innesta di nuovo in modalità Discesa (9C).

IMPORTANTE: le forche di rilascio sullo strumento di rilascio della prolunga sono a punta conica per spingere fuori con decisione la manopola di innesto quando le forche vengono spinte in avanti sulla manopola. Non è necessario forzare la manopola con la prolunga. Eventuali forzature potrebbero causare la rottura della manopola.

FREQUENZA DI ISPEZIONE: per garantire un funzionamento sicuro ed efficiente, ispezionare l'Ultra-Lok RSQ SRL con la frequenza indicata di seguito:

- **Prima di ciascun utilizzo:** ispezionare visivamente il cavo SRL in base alla procedura di ispezione definita nella sezione successiva.
- **Annualmente:** un'ispezione formale del cavo SRL e dei relativi collegamenti alla struttura deve essere eseguita da persona competente diversa dall'utente almeno una volta all'anno. La frequenza delle ispezioni formali deve essere determinata in base alle condizioni d'uso o all'esposizione. Consultare la sezione successiva per la *procedura di ispezione*. Registrare i risultati dell'ispezione nel *Registro degli esami periodici e delle riparazioni*, nelle *Istruzioni generali per l'uso e la manutenzione* (5902392) o utilizzare la targhetta i-Safe™ RFID (figura 10) e il dispositivo di lettura i-Safe™ del cavo SRL per registrare le informazioni sul portale web.

IMPORTANTE: condizioni estreme di lavoro (ambiente proibitivo, uso prolungato, ecc.) possono richiedere un aumento della frequenza dei controlli.

- **Dopo l'arresto della caduta:** se l'Ultra-Lok RSQ SRL è stato sottoposto all'arresto di una caduta o a forze d'impatto, deve essere immediatamente rimosso dall'esercizio e ispezionato in base a quanto riportato nelle sezioni di *ispezione dell'indicatore d'impatto e procedura di ispezione*

ISPEZIONE DELL'INDICATORE DI IMPATTO: l'Ultra-Lok RSQ SRL è dotato di un indicatore di impatto sul gancio del cavo di sicurezza (vedere figura 11). Ispezionare il gancio per verificare la presenza di un nastro rosso esposto (11A). Se il nastro rosso non è esposto, il gancio è in modalità Normale (11B). Se il nastro rosso è esposto, il gancio è in modalità Indicata (11C), indice che si è verificato un carico dell'impatto. Rimuovere il cavo SRL dal servizio per ispezione. NON tentare di resettare l'indicatore di impatto. Riportarlo al centro di assistenza autorizzato per farlo resettare.

PROCEDURA DI ISPEZIONE: in base alla frequenza definita nella sezione *Frequenza di ispezione*, ispezionare il cavo SRL come illustrato di seguito:

- Fase 1.** Verificare che il cavo SRL non presenti viti allentate e parti piegate o danneggiate.
- Fase 2.** Verificare che l'alloggiamento del cavo SRL non presenti parti distorte, crepe o altri danneggiamenti. Assicurarsi che l'occhiello girevole non sia assolutamente danneggiato o distorto. Assicurarsi che l'occhiello girevole giri liberamente.
- Fase 3.** Il cavo di sicurezza deve estendersi e ritrarsi completamente senza esitazione o senza creare una condizione di cavo lasco.
- Fase 4.** Assicurarsi che il cavo SRL si blocchi quando il cavo di sicurezza viene tirato con forza. Il blocco deve essere deciso, senza slittamenti.
- Fase 5.** Le etichette devono essere presenti e perfettamente leggibili (vedere *Etichettatura*).
- Fase 6.** Verificare la presenza di corrosione sull'intera unità.
- Fase 7.** Ispezionare il cavo di sicurezza (figura 12) per verificare la presenza di tagli, pieghe (12A), fili rotti (12B), attorcigliamenti, corrosione (12C), residui di saldature (12D), aree di contatto con sostanze chimiche o aree con gravi abrasioni (vedere figura 12). Far scorrere il paraurti del cavo di sicurezza (figura 10) e ispezionare gli anelli controllando che non presentino segni di rottura o danneggiamento e ispezionare la fune metallica per verificare se presenta corrosione e fili metallici rotti. Il cavo di sicurezza deve essere privo di nodi per tutta la lunghezza. Ispezionare per verificare che non ci siano residui di sporco eccessivo, sovrapposizioni di mani di vernice e macchie di ruggine. Controllare eventuali segni di danneggiamento chimico o termico, indicato da aree scure, decolorate o fragili. Controllare eventuali segni di danni da raggi ultravioletti, indicati da scolorimento e dalla presenza di frammenti o scaglie sulla superficie del cavo di sicurezza.
- Fase 8.** Eseguire una trazione manuale per verificare il corretto funzionamento dell'Ultra-Lok RSQ SRL in modalità Discesa:
 - A. Afferrare il cavo di sicurezza e tirarlo saldamente e rapidamente per attivare il sistema.
 - B. Continuare a estrarre circa 1 m di cavo innestando il cavo SRL in modalità Discesa (vedere *Selezione modalità arresto caduta/discesa*). Dovrebbe essere possibile tirare il cavo rapidamente e facilmente fino a quando si innesta la modalità Discesa; a quel punto, tirare il cavo dovrebbe essere molto più arduo.
- Fase 9.** Verificare che i ganci di collegamento o i moschettoni non presentino danni e corrosione, nonché le corrette condizioni di lavoro.
- Fase 10.** Ispezionare ogni componente del sistema o dei sottosistemi secondo le istruzioni dei relativi produttori.
- Fase 11.** Registrare i risultati dell'ispezione nel Registro degli esami periodici e delle riparazioni, nelle *"Istruzioni generali per l'uso e la manutenzione"* (5902392) o utilizzare la targhetta i-Safe™ RFID (figura 10) e il dispositivo di lettura i-Safe™ del cavo SRL per registrare le informazioni sul portale web.

DIFETTI: qualora l'ispezione o il normale uso rivelino condizioni difettose, rimuovere immediatamente l'Ultra-Lok RSQ SRL dal servizio e contattare un centro di manutenzione autorizzato per la riparazione.

IMPORTANTE: solo Capital Safety o centri con autorizzazione scritta possono procedere alla riparazione di questa attrezzatura.

MANUTENZIONE E ASSISTENZA: le linee guida per la manutenzione e l'assistenza dell'Ultra-Lok RSQ SRL sono le seguenti:

- Pulire periodicamente l'esterno dell'SRL con acqua e un detergente neutro. Posizionare il cavo SRL in modo che l'acqua in eccesso possa essere espulsa. Pulire le etichette secondo necessità.
- Pulire il cavo di sicurezza con acqua e un detergente neutro. Risciacquare e asciugare accuratamente con un getto d'aria. Non asciugare applicando calore. Un accumulo eccessivo di sporcizia o vernice può impedire una ritrazione completa del cavo di sicurezza causando un rischio di potenziale caduta libera. Sostituire il cavo di sicurezza in caso di accumulo eccessivo.

AVVERTENZA: se il cavo di sicurezza entra in contatto con acidi, non usare l'unità e lavarla con acqua e sapone delicato. Ispezionare l'unità prima di riutilizzarla.

- La sostituzione del cavo di sicurezza e la manutenzione aggiuntiva devono essere eseguite da un centro autorizzato. DBI-SALA deve rilasciare un'autorizzazione e un numero di reso. Non lubrificare nessun elemento. Non smontare il cavo SRL.

STOCCAGGIO: conservare l'Ultra-Lok RSQ SRL in ambiente asciutto e pulito. Evitare zone con vapori chimici. Non impilare oggetti sopra al cavo SRL. Dopo un lungo periodo di inutilizzo, controllare l'SRL. Pulire e conservare il supporto del corpo e i componenti del sistema associati in base alle istruzioni del produttore.

SPECIFICHE TECNICHE: vedere la figura 1 per le dimensioni fisiche e i materiali. Le caratteristiche di funzionamento sono riportate di seguito:

- *Gamma di lavoro:* 15 m
- *Riserva di emergenza:* oltre alla gamma di lavoro, è disponibile una riserva di emergenza di 61 cm.
- *Forza di arresto massima:* 6 kN
- *Distanza di arresto massima:* 2 m
- *Portata:* 34-141 kg

EINLEITUNG: Die vorliegende Anweisung beschreibt die Installation und Verwendung des Ultra-Lok RSQ Höhensicherungsgeräts. Sie sollte als Teil des Mitarbeiter-Schulungsprogramms, wie von CE vorgeschrieben, verwendet werden.

WICHTIG: Tragen Sie vor dem Einsatz dieser Ausrüstung die Informationen zur Produktidentifikation, die sich auf dem Installations- und Wartungsetikett befinden, in das Blatt zur Identifikation der Ausrüstung am Ende des Dokuments „Allgemeine Anweisungen zu Gebrauch und Wartung“ (5902392) ein.



ALLGEMEINE GLOSSAR-HINWEISKÄSTCHEN: Die weißen Glossar-Hinweiskästchen auf dem Deckblatt dieser Anweisung beziehen sich auf Glossar-Begriffe im Dokument „Allgemeine Anweisungen zu Gebrauch und Wartung“ (5902392)..

SCHULUNG: Es liegt in der Verantwortung des Anwenders dieser Ausrüstung, diese Anweisungen zu verstehen und eine Schulung für die korrekte Installation, Verwendung und Wartung dieser Ausrüstung zu erhalten. Anwender müssen sich der Folgen einer falschen Montage oder Verwendung dieser Ausrüstung bewusst sein. Diese Anweisung ist kein Ersatz für ein Schulungsprogramm. Eine regelmäßige Schulung ist erforderlich, damit die Befähigung des Anwenders stets gewährleistet ist.

BESCHREIBUNG: Das Ultra-Lok RSQ Höhensicherungsgerät (Abbildung 1) verfügt sowohl über Absturzsicherungs- als auch über Rettungsfunktionen. Durch einen Duo-Auswahlknopf kann der Anwender zwischen Absturzsicherung mit unterstützter Rettung oder Selbstrettung auswählen, mit der er bis zum Boden oder bis zu einer niedrigeren Ebene herabgelassen wird. Die verfügbaren Modelle des Ultra-Lok RSQ Höhensicherungsgeräts werden in Tabelle 1 und Tabelle 2 aufgeführt.

Tabelle 1 – Model Ultra-Lok RSQ Höhensicherungsgerät für kontrollierten Abstieg					
Modellnummer ¹	Arbeitsbereich	Sicherungsseiltyp	Hakenmodell ¹	Größe (L x W x H)	Gewicht
3504553	15 m	Verzinktes Stahlseil	9502194	29,69 cm x 23,19 cm x 15,09 cm	8,8 kg
3504554	15 m	Edelstahlseile	9502194	29,69 cm x 23,19 cm x 15,09 cm	8,8 kg
3504555	15 m	Edelstahlseile	2100044	29,69 cm x 23,19 cm x 15,09 cm	8,8 kg

¹ Weitere Informationen zu Haken finden Sie in Tabelle 2.

Tabelle 2 - Informationen über Haken		
Hakenmodell	Material	Beschreibung
9502194	Legierter Stahl	Selbstschließend, schwenkbarer Karabinerhaken mit Anzeige, Verschluss: 16 kN
2100044	Edelstahl	Selbstschließend, schwenkbarer Karabinerhaken mit Anzeige, Verschluss: 16 kN

ZWECK: Das Ultra-Lok RSQ Höhensicherungsgerät wurde zur Absturzsicherung und für den Abstieg konzipiert.

- **Absturzsicherung:** Ultra-Lok RSQ Höhensicherungsgeräte gehören zu den persönlichen Absturzsicherungssystemen für Bereiche, in denen Absturzgefahr besteht. Persönliche Absturzsicherungssysteme bestehen aus einem Auffanggurt, einem Verankerungsanschluss (z. B. Karabiner) und einem Höhensicherungsgerät. Höhensicherungsgeräte werden in Bereichen eingesetzt, in denen uneingeschränkte Beweglichkeit der Arbeiter erforderlich und eine Absturzsicherung notwendig ist, wie z. B. bei Inspektionsarbeiten, bei Grundkonstruktionen, bei Wartungsarbeiten, bei der Erdölförderung, bei Arbeiten auf begrenztem Raum usw.
- **Abstieg:** Mit Ultra-Lok RSQ Höhensicherungsgeräten kann ein Arbeiter durch Selbstrettungskomponenten in sichere Bereiche absteigen. Das Abstiegsrettungssystem besteht üblicherweise aus Auffanggurt, Verankerungsanschluss und Höhensicherunggurt.

BEACHTEN SIE: Folgendes ist bei Montage und Einsatz der Ausrüstung zu beachten:

- **Korrosion:** Deponieren Sie die Ausrüstung nicht an feuchten Orten, um das Ansetzen von Rost an Metallteilen zu vermeiden. Vorsicht bei Arbeiten in unmittelbarer Nähe von Abwasser oder Düngemitteln mit hoher Konzentration an Ammoniak, da beides stark korrodierend wirkt. Bei Einsatz der Ausrüstung in unmittelbarer Nähe von Salzwasser oder anderen Stoffen mit korrodierender Wirkung ist eine häufige Überprüfung oder Wartung erforderlich, um Schaden durch Korrosion vorzubeugen und einen einwandfreien Zustand der Ausrüstung zu gewährleisten.
- **Gefährdung durch Chemikalien:** Durch säurehaltige oder ätzende Lösungen können besonders bei erhöhten Temperaturen Schäden an den DBI-SALA-Höhensicherungsgeräten verursacht werden. Bei Einsatz derartiger Chemikalien ist eine regelmäßige Überprüfung des gesamten Höhensicherungsgeräts erforderlich. Durch Chemikalien verursachte Schäden des Sicherungsseils sind schwer zu entdecken und es wird empfohlen, das Sicherungsseil regelmäßig auszutauschen, um die Sicherheit zu gewährleisten. Das Sicherungsseil sollte durch einen autorisierten Vertragshändler ausgetauscht werden. Sollten beim Einsatz der Ausrüstung unter Gefährdung durch Chemikalien Unklarheiten auftreten, setzen Sie sich bitte mit DBI-SALA in Verbindung.
- **Hitze:** Die Ausrüstung ist nicht für den Einsatz unter hohen Temperaturen bestimmt. Schützen Sie die Ausrüstung beim Einsatz für Schweiß-, Metallschneide- oder ähnlichen Arbeiten. Funken könnten die Ausrüstung in Brand setzen oder beschädigen. Setzen Sie sich mit DBI-SALA in Verbindung, um nähere Informationen für den Einsatz der Ausrüstung unter hohen Temperaturen zu erhalten.
- **Gefährdung durch Strom:** Bei der Verwendung von Stahlsicherungsseilen besteht die Gefahr, dass durch das Sicherungsseil elektrische Ladung fließt. Seien Sie in der Nähe von Hochspannungsleitungen extrem vorsichtig.

- **Kapazität:** Das Höhengsicherungsgerät ist für Personen mit einem kombinierten Gesamtgewicht (Bekleidung, Werkzeug usw.) von mindestens 34 kg und höchstens 141 kg vorgesehen. Es darf jeweils nur eine Person mit je einem Gerät ausgestattet werden.
- **Arretierungsgeschwindigkeit:** Eine ungehinderte Fallstrecke sollte stets gewährleistet sein. Bei Arbeiten auf beschränktem oder beengtem Raum reicht die Fallgeschwindigkeit, die für eine Arretierung durch das Höhengsicherungsgerät erforderlich ist, möglicherweise nicht aus. Bei Arbeiten auf beweglichem Untergrund wie Sand oder Korn reicht die Fallgeschwindigkeit, die für eine Arretierung durch das Höhengsicherungsgerät erforderlich ist, möglicherweise nicht aus. Eine ähnliche Situation tritt auf Dächern mit geringem Neigungswinkel auf, von dem ein Arbeiter eher abrutschen als herunterfallen würde. Für eine ordnungsgemäße Arretierung des Höhengsicherungsgeräts ist eine Freifallstrecke erforderlich.
- **Maximale Tragfähigkeit, Strecke und Geschwindigkeit für den Abstieg:** Die maximale Tragfähigkeit, Strecke und Geschwindigkeit für den Abstieg mit dem Höhengsicherungsgerät lautet wie folgt:

Tragfähigkeit für den Abstieg =	Max. Gewicht x max. Höhe x Anzahl der Abstiege 141 kg x 15 m x 1 = 2,115 m·kg
Max. Strecke für den Abstieg =	15 m
Max. Geschwindigkeit für den Abstieg =	1,8 m/s

- **Durchschnittliche Abstiegs geschwindigkeit:** Befindet sich das Höhengsicherungsgerät im Abstiegsmodus, beträgt die durchschnittliche Abstiegs geschwindigkeit, mit der der Anwender heruntergelassen wird, 0,6 m/s.
- **Horizontale Systeme:** Wird ein Höhengsicherungsgerät zusammen mit einem horizontalen System (z. B. horizontale I-Träger, Aufhängungen) eingesetzt, müssen Höhengsicherungsgerät und horizontale Systemkomponenten miteinander kompatibel sein. Horizontale Systeme müssen unter Beobachtung eines qualifizierten Sachverständigen entwickelt und installiert werden.
- **Auflager:** Vergewissern Sie sich, dass beim Einsatz von Höhengsicherungsgeräten mit Auflager (z. B. Dreibein, Davitarm), das Auflager mit Anschluss, Funktion, Stabilität und Traglast des Höhengsicherungsgerätes kompatibel ist.

SYSTEMPLANUNG: Planen Sie das Fallschutzsystem und dessen Einsatz, bevor Sie mit Ihrer Arbeit beginnen. Berücksichtigen Sie die Faktoren, die Ihre Sicherheit vor, während und nach einem Absturz beeinträchtigen könnten. Folgendes sollten Sie bei der Planung Ihres Systems berücksichtigen:

- **Verankerung:** In Abbildung 2 werden geeignete Verankerungsmethoden für das Höhengsicherungsgerät dargestellt. Wählen Sie einen starren Verankerungspunkt zum Abstützen einer Belastung von 10 kN. Stellen Sie nur kompatible Anschlüsse mit Ankern gemäß EN 795 her. Nur an Überkopf-Anker anschließen. Nicht oberhalb des Ankers arbeiten (siehe Abbildung 3).
- **Pendelstürze:** Zu Pendelstürzen kommt es, wenn sich der Verankerungspunkt nicht direkt über oder unter dem Punkt befindet, an dem sich der Fall ereignet (Abbildung 4). Beim Aufprall auf ein Objekt durch das Pendeln kann es zu schweren Verletzungen oder zum Tod kommen. Minimieren Sie die Pendelsturzgefahr, indem Sie so nah wie möglich an der Verankerung arbeiten. Lassen Sie keinen Pendelsturz zu, wenn es dabei zu Verletzungen kommen könnte.
- **Abstiegsstrecke und Landefreiraum:** Ihre Abstiegsstrecke muss stets frei von Gegenständen sein. Der Landebereich muss frei von Gegenständen sein, damit eine sichere Landung möglich ist (siehe Abbildung 5). Durch eine Beeinträchtigung der Abstiegsstrecke oder des Landebereichs durch Gegenstände können gravierende oder tödliche Unfälle verursacht werden.
- **Systemlänge:** Stellen Sie sicher, dass die Systemlänge ausreichend ist, um damit die erwünschte Ebene erreichen zu können. Ist die Länge des Stahlseils nicht ausreichend, wird der Abstieg gestoppt, bevor die vorgesehene Ebene erreicht wird und der Arbeiter hängt im Sicherungsseil.
- **Nach einem Absturz:** Ausrüstung, die Absturzsicherungskraften ausgesetzt war, muss vom Kundenservice überprüft werden (siehe *Inspektion*).

FUNKTION: Die Inbetriebnahme des *Ultra-Lok RSQ Höhengsicherungsgerätes* funktioniert wie folgt:

WARNUNG: Überprüfen Sie das *Ultra-Lok RSQ Höhengsicherungsgerät* bitte vor jedem Einsatz entsprechend der unter *Inspektion* beschriebenen Schritte.

- A. Auffangvorrichtung:** Beim Einsatz eines DBI-SALA-Höhengsicherungsgurtes ist das Tragen eines Auffanggurtes erforderlich. Verbinden Sie ihn für einen allgemeinen Einsatz zur Absturzsicherung am D-Ring im Rückenbereich. Sollten Sie die Sicherung zum Emporsteigen einer Leiter verwenden, befestigen Sie sie im vorderen Bereich des Gurts. Diese Form der Sicherung ist möglich, wenn die Freifallstrecke sehr kurz ist und ein sicherer Halt schnell wiederhergestellt werden kann.
- B. Anschlüsse einrichten:** Sollten Sie für die Verbindung einen Haken oder Karabiner verwenden, vergewissern Sie sich, dass ein Herausrutschen nicht möglich ist. Verwenden Sie keinen Haken oder Karabiner, der die Verankerung oder den Verankerungsanschluss nicht vollständig umschließt (siehe Abbildung 2). Befolgen Sie die Herstelleranweisungen, die den einzelnen Systemkomponenten beiliegen. Verbinden Sie das Höhengsicherungsgerät mit einer geeigneten Verankerung oder einem geeigneten Verankerungsanschluss (Abbildung 2).

Abbildung 6 zeigt die Verbindung mit dem Auffanggurt. Verbinden Sie den selbstschließenden Karabinerhaken am Ende des Sicherungsseils (6A) mit der Absturzsicherung am Auffanggurt (6B). Prüfen Sie, ob alle Anschlüsse in Größe, Form und Stärke miteinander kompatibel sind. Vergewissern Sie sich, dass der Karabinerhaken vollständig geschlossen und eingerastet ist.

- C. **Auswahl Absturzsicherung/Abstiegsmodus:** Zum Einstellen des Abstiegsmodus (7A) oder der Absturzsicherung (7B) am Höhensicherungsgerät sind Ultra-Lok RSQ Höhensicherungsgeräte mit einem Aktivierungsknopf (Abbildung 7) ausgestattet. Auswählen der Absturzsicherung oder des Abstiegsmodus:
1. Ziehen Sie den Aktivierungsknopf (7C) heraus.
 2. Drehen Sie den Aktivierungsknopf so lange bis der Pfeil auf dem Knopf auf die Einkerbung für den Abstiegsmodus (7D) oder die Absturzsicherung (7E) zeigt, woraufhin der Aktivierungsknopf an der Einkerbung einrastet.

WICHTIG: Ultra-Lok RSQ Höhensicherungsgeräte sind nur für den Notfall bestimmt und sollten nur für einen vertikalen Abstieg verwendet werden. Wurde das Höhensicherungsgerät für den Abstieg verwendet, setzen Sie es unmittelbar außer Betrieb und überprüfen Sie es wie unter Abschnitt *Inspektion* in diesem Handbuch beschrieben.

- D. **Absturzsicherung:** Ist ein Arbeiter mit dem Höhensicherungsgerät ausgestattet, kann er sich innerhalb der empfohlenen Arbeitsbereiche mit normaler Geschwindigkeit bewegen. Das Sicherungsseil sollte reibungslos aus- und ohne Verzögerung einziehbar sein. Wenn es während des normalen Gebrauchs zu einem Durchhängen des Seils kommt, sollte die Einheit zur Wartung an DBI-SALA geschickt werden. Bei einem Absturz sperrt das Höhensicherungsgerät und der Sturz wird aufgefangen. Setzen Sie das Höhensicherungsgerät nach einer Rettung nicht mehr ein. Überprüfen Sie es wie im Abschnitt *Inspektion* beschrieben. Wenn Sie mit einem Höhensicherungsgerät arbeiten, lassen Sie das Sicherungsseil kontrolliert in das Gerät zurücklaufen. Es kann ein kurzes Tag-Seil erforderlich sein, um das Sicherungsseil während des Anschließens und Lösens aus- und einzuziehen. Wenn das Sicherungsseil über lange Zeiträume ausgezogen bleibt, kann es zu vorzeitigem Verschleiß der Rückzugsfeder kommen.
- E. **Unterstützte Rettung:** In Notfall-Situationen kann mit dem Ultra-Lok RSQ Höhensicherungsgerät eine unterstützte Rettung durchgeführt und das Opfer geborgen werden. Die rettende Person kann den Absturzsicherungsmodus ausschalten und den Abstieg mit dem Zugring am Aktivierungsknopf (Abbildung 8) oder wahlweise mit einem Lösewerkzeug (Abbildung 9) starten und stoppen:

- **Zugring am Aktivierungsknopf:** Zum Ausschalten des Absturzsicherungsmodus und Einschalten des Abstiegs, greifen Sie den Zugring und ziehen Sie den Aktivierungsknopf gerade heraus (8A). Zum Beenden des Abstiegs lösen Sie den Zugring und schalten so erneut den Absturzsicherungsmodus ein (8B). Zur vollständigen Aktivierung des Abstiegsmodus, so dass der Abstieg ohne Ziehen des Zugrings fortgesetzt werden kann, drehen Sie den Aktivierungsknopf gegen den Uhrzeigersinn (8C) so lange bis der Pfeil auf dem Knopf auf die Einkerbung für den Abstieg zeigt (siehe Abbildung 7A).

HINWEIS: 0,36 kN - 0,45 kN Zugkraft sind erforderlich, um den Aktivierungsknopf aus dem Absturzsicherungsmodus zu lösen.

- **Lösewerkzeug:** Setzen Sie das Lösewerkzeug aus einer beliebigen Richtung an, so dass die Enden der Gabel den Sockel des Aktivierungsknopfes unter der gerändelten Verstärkung und dem Zugring (9A) umschließt. Zur Deaktivierung des Absturzsicherungsmodus und Aktivierung des Abstiegs schieben Sie den Verlängerungsschaft nach vorn, so lange bis der Aktivierungsknopf vollständig zwischen der Lösegabel sitzt (9B). Der Abstieg wird so lange fortgesetzt bis der Aktivierungsknopf vollständig zwischen der Lösegabel sitzt. Um den Abstieg zu beenden, ziehen Sie den Verlängerungsschaft zurück, so lange bis der Abstiegsmodus (9C) durch den Aktivierungsknopf erneut aktiviert wird.

WICHTIG: Die Gabel am Lösewerkzeug ist konisch zulaufend, damit der Aktivierungsknopf gerade herausgehoben werden kann, sobald die Gabel am Knopf nach vorn geschoben wird. Es ist nicht erforderlich den Knopf mit dem Verlängerungsschaft aufzustemmen. Durch ein Aufstemmen kann der Knopf abbrechen.

INSPEKTIONSINTERVALL: Um eine sichere und effiziente Verwendung zu gewährleisten, sollte das Ultra-Lok RSQ Höhensicherungsgerät in folgenden Abständen überprüft werden:

- **Vor jedem Einsatz:** Führen Sie, wie im nächsten Abschnitt unter *Inspektionsschritte* beschrieben, eine Sichtprüfung des Höhensicherungsgeräts durch.
- **Jährlich:** Eine formelle Überprüfung des Höhensicherungsgeräts und seiner Verbindungsteile muss mindestens einmal jährlich von einer autorisierten Person und sollte nicht vom Anwender durchgeführt werden. Die Häufigkeit der formellen Überprüfungen richtet sich nach den Gebrauchs- und Belastungsbedingungen. Lesen Sie den nächsten Abschnitt, um weitere Informationen zum Thema *Inspektionsschritte* zu erhalten. Halten Sie die Ergebnisse der Überprüfung im *Übersichtsprotokoll für regelmäßige Überprüfungen und Reparaturen* unter *Allgemeine Anweisungen zu Gebrauch und Wartung* (5902392) fest oder verwenden Sie das i-Safe™ RFID-Tag des Höhensicherungsgeräts (Abbildung 10) und das i-Safe™-Lesegerät, um die Informationen im webbasierten Portal festzuhalten.

WICHTIG: Extreme Arbeitsbedingungen (raue Umweltbedingungen, andauernde Verwendung usw.) können eine häufigere Überprüfung erforderlich machen.

- **Nach der Absturzsicherung:** Wenn das Ultra-Lok RSQ Höhensicherungsgerät für eine Absturzsicherung eingesetzt wurde oder, wenn es Aufprallkräften ausgesetzt war, sollte es außer Betrieb gesetzt und entsprechend der Abschnitte *Überprüfung der Beanspruchungsanzeige* und *Inspektionsschritte* kontrolliert werden.

ÜBERPRÜFUNG DER BEANSPRUCHUNGSANZEIGE: Das Ultra-Lok RSQ Höhensicherungsgerät ist am Haken des Sicherungsseils mit einer Beanspruchungsanzeige ausgestattet (siehe Abbildung 11). Kontrollieren Sie, ob am Haken ein rotes Band (11A) sichtbar ist. Ist das rote Band nicht sichtbar, befindet sich der Haken im normalen Modus (11B). Ist das rote Band sichtbar, befindet sich der Haken im Anzeigemodus (11C) und zeigt an, dass eine starke Belastung aufgetreten ist. Das Höhensicherungsgerät sollte außer Betrieb gesetzt und überprüft werden. Versuchen Sie NICHT, die Beanspruchungsanzeige zurückzusetzen. Geben Sie sie einem autorisierten Reparaturdienst zur Neueinstellung.

INSPEKTIONSSCHRITTE: Entsprechend der unter *Inspektionsintervall* beschriebenen Intervalle, überprüfen Sie das Höhensicherungsgerät wie folgt:

- Schritt 1.** Überprüfen Sie, ob sich Schrauben gelöst haben und, ob es verbogene oder beschädigte Teile gibt.
- Schritt 2.** Überprüfen Sie das Höhensicherungsgerät auf Verformung, Risse oder andere Schäden. Stellen Sie sicher, dass die schwenkbare Öse nicht beschädigt oder verzogen ist. Stellen Sie sicher, dass sich die schwenkbare Öse frei dreht.
- Schritt 3.** Das Sicherungsseil sollte ohne Verzögerung oder Schlingenbildung vollständig ausgezogen und eingezogen werden können.
- Schritt 4.** Stellen Sie sicher, dass das Höhensicherungsgerät arretiert, wenn am Sicherungsseil heftig gezogen wird. Das Sperren sollte unmittelbar und ohne Rutschen erfolgen.
- Schritt 5.** Die Etiketten müssen vorhanden und vollständig lesbar sein (siehe *Beschriftung*)
- Schritt 6.** Suchen Sie die gesamte Einheit nach Korrosionszeichen ab.
- Schritt 7.** Überprüfen Sie das Sicherungsseil (Abbildung 12) auf Schnitt- und Knickstellen (12A), gebrochene oder (12B) aufgespreizte Drähte, Korrosionsstellen (12C), Schweißspritzer (12D), Kontakt mit Chemikalien oder schweren Abrieb (siehe Abbildung 12). Schieben Sie den Sicherungsseilabweiser (Abbildung 10) nach oben und kontrollieren Sie die Endhülsen auf Risse oder andere Beschädigungen und kontrollieren Sie das Stahlseil auf Korrosion und gebrochene Drähte. Das Sicherungsseil darf auf ganzer Länge keine Knoten aufweisen. Kontrollieren Sie das Sicherungsseil auf übermäßige Verschmutzung, Farbflecken und Rostflecken. Kontrollieren Sie das Sicherungsseil auf Beschädigung durch Chemikalien oder Hitze, erkennbar an braunen, verfärbten oder brüchigen Stellen. Kontrollieren Sie das Sicherungsseil auf Beschädigung durch UV-Strahlung, erkennbar an Verfärbung und der Präsenz von Splintern oder Spänen auf der Gewebeoberfläche.
- Schritt 8.** Führen Sie per Hand einen Zugtest durch, um die einwandfreie Funktion des Ultra-Lok RSQ Höhensicherungsgeräts im Abstiegsmodus zu überprüfen:
- Greifen Sie nach dem Sicherungsseil und ziehen Sie fest und schnell daran, um das System zu aktivieren.
 - Ziehen Sie anschließend etwa 1 m Kabel heraus, während am Höhensicherungsgerät der Abstiegsmodus aktiviert wird (siehe *Auswahl Absturzsicherung/Abstiegsmodus*). Das Kabel sollte schnell und leicht herauszuziehen sein, solange bis der Abstiegsmodus aktiviert wird und dadurch der Zug am Kabel deutlich schwieriger sein sollte.
- Schritt 9.** Kontrollieren Sie vorhandene Verbindungshaken auf Zeichen von Beschädigungen und Korrosion sowie auf ihre ordnungsgemäße Funktion.
- Schritt 10.** Überprüfen Sie alle Systemkomponenten oder Untersysteme gemäß den entsprechenden Herstelleranleitungen.
- Schritt 11.** Halten Sie die Ergebnisse der Überprüfung im Übersichtsprotokoll für regelmäßige Überprüfungen und Reparaturen unter *Allgemeine Anweisungen zu Gebrauch und Wartung“ (5902392)* fest oder verwenden Sie das i-Safe™ RFID-Tag des Höhensicherungsgeräts (Abbildung 10) und das i-Safe™-Lesegerät, um die Informationen im webbasierten Portal festzuhalten.

SCHÄDEN: Sollte bei der Überprüfung oder während des Betriebs ein mangelhafter Zustand festgestellt werden, setzen Sie das Ultra-Lok RSQ Höhensicherungsgerät außer Betrieb und kontaktieren Sie eine autorisierte Reparaturwerkstatt für die Instandsetzung.

WICHTIG: Nur Capital Safety oder Parteien, die hierzu schriftlich autorisiert sind, dürfen Reparaturen an dieser Ausrüstung vornehmen.

WARTUNG: Richtlinien für die Wartung des Ultra-Lok RSQ Höhensicherungsgeräts lauten wie folgt:

- Reinigen Sie das Äußere des Höhensicherungsgeräts regelmäßig mit Wasser und einem milden Reinigungsmittel. Positionieren Sie das Höhensicherungsgerät so, dass überschüssiges Wasser abfließen kann. Reinigen Sie die Aufkleber nach Bedarf.
- Reinigen Sie das Sicherungsseil mit Wasser und einer milden Seifenlösung. Ausspülen und gründlich an der Luft trocknen lassen. Trocknen Sie das Sicherungsseil nicht durch Erwärmen. Übermäßige Schmutzablagerungen, Farbe, usw. können bewirken, dass das Sicherungsseil nicht vollständig eingezogen wird, wodurch ein Absturz verursacht werden kann. Ersetzen Sie das Sicherungsseil bei übermäßigen Ablagerungen.

WARNUNG: Wenn das Sicherungsseil mit Säure in Kontakt gerät, setzen Sie es außer Betrieb und waschen es mit Wasser und einer milden Seifenlösung ab. Kontrollieren Sie die Einheit, bevor Sie sie wieder verwenden.

- Ein Ersetzen des Sicherungsseils und zusätzliche Wartungs- und Instandsetzungsarbeiten müssen durch einen autorisierten Kundendienst erfolgen. Eine Autorisierung und eine Bestätigungsnummer müssen von DBI-SALA erteilt werden. Fetten Sie keine Teile ein. Zerlegen Sie das Höhensicherungsgerät nicht in seine Einzelteile.

LAGERUNG: Lagern Sie das Ultra-Lok RSQ Höhensicherungsgerät in einer sauberen und trockenen Umgebung. Setzen Sie das Höhensicherungsgerät, wenn möglich, keinen chemischen Dämpfen aus. Stapeln Sie keine Gegenstände auf dem Höhensicherungsgerät. Überprüfen Sie das Höhensicherungsgerät nach langer Lagerung gründlich. Reinigen und lagern Sie die zugehörigen Systemkomponenten gemäß den Anweisungen des Herstellers.

SPEZIFIKATIONEN: Informationen über Abmessungen und Materialien finden Sie unter Abbildung 1. Die Bedienungsmerkmale lauten wie folgt:

- Arbeitsbereich:* 15 m
- Notreserve:* Zusätzlich zum Arbeitsbereich gibt es eine 61 cm lange Notreserve.
- Maximale Bremskraft:* 6 kN
- Maximaler Bremsweg:* 2 m
- Kapazität:* 34 kg -141 kg

INTRODUCCIÓN: estas instrucciones describen la instalación y el uso del cabo salvavidas autorretráctil (SRL) RSQ Ultra-Lok. Éstas se deben utilizar como parte del programa de formación de los empleados, tal como exige la normativa CE.

IMPORTANTE: antes de usar este equipo, anote la información de identificación del producto que se encuentra en la etiqueta de instalación y reparaciones de la hoja de identificación del equipo situada en las "Instrucciones generales de uso y mantenimiento" (5902392).



CASILLAS GENERALES DE REFERENCIA AL GLOSARIO: las Casillas blancas de referencia al glosario de la portada de estas instrucciones hacen referencia a los elementos del "Glosario" de las "Instrucciones generales de uso y mantenimiento" (5902392).

FORMACIÓN: es responsabilidad de los usuarios de este equipo comprender estas instrucciones y recibir formación sobre la instalación, el uso y el mantenimiento correctos de este equipo. Los usuarios deben conocer las consecuencias de una instalación o un uso inapropiados de este equipo. Este manual de instrucciones no sustituye un programa de formación. Se debe proporcionar formación a los usuarios de forma periódica para garantizar su competencia.

DESCRIPCIÓN: el SRL RSQ Ultra-Lok (Figura 1) proporciona capacidades tanto de protección contra caídas como de rescate. Una perilla de selección bimodal permite al usuario seleccionar entre la protección contra caídas para un rescate asistido y el autorrescate, que desciende al usuario hasta el suelo o a un nivel inferior. Los modelos disponibles del SRL RSQ Ultra-Lok se definen en la Tabla 1 y la Tabla 2.

Tabla 1 – Modelos de SRL Ultra-Llok RSQ de descenso controlado

Número de modelo ¹	Intervalo de trabajo	Tipo de cabo salvavidas	Modelo de gancho ¹	Tamaño (Long. x An. x Al.)	Peso
3504553	15 m	Cable metálico galvanizado	9502194	29,69 cm x 23,19 cm x 15,09 cm	8,8 kg
3504554	15 m	Cable metálico de acero inoxidable	9502194	29,69 cm x 23,19 cm x 15,09 cm	8,8 kg
3504555	15 m	Cable metálico de acero inoxidable	2100044	29,69 cm x 23,19 cm x 15,09 cm	8,8 kg

¹ Véase la Tabla 2 para obtener información sobre el gancho.

Tabla 2 - Información del gancho

Modelo de gancho	Material	Descripción
9502194	Aleación de acero	Gancho de seguridad giratorio con autobloqueo e indicador y mecanismo de apertura de 16 kN
2100044	Acero inoxidable	Gancho de seguridad giratorio con autobloqueo e indicador y mecanismo de apertura de 16 kN

OBJETIVO: el SRL RSQ Ultra-Lok está diseñado para protección contra caídas y descenso:

- **Protección contra caídas:** los SRL RSQ Ultra-Lok son componentes de los sistemas de protección personal contra caídas (Personal Fall Arrest Systems, PFAS) donde hay riesgo de caídas. El PFAS suele incluir un arnés de cuerpo completo, un conector de anclaje (p. ej., un mosquetón) y el SRL. Los SRL se utilizan en situaciones donde sea necesario proporcionar al trabajador movilidad y protección contra caídas (tareas de inspección, construcción en general, tareas de mantenimiento, producción petrolera, tareas en espacios reducidos, etc.).
- **Descenso:** los SRL RSQ Ultra-Lok permiten descender al trabajador de forma segura en casos de autorrescate. El sistema de descenso con rescate suele incluir un arnés de cuerpo completo, un conector de anclaje y el SRL.

LIMITACIONES: este equipo tiene las siguientes limitaciones de instalación y uso:

- **Corrosión:** no deje este equipo durante períodos prolongados en lugares donde las piezas metálicas puedan sufrir daños por corrosión como consecuencia de los vapores procedentes de materiales orgánicos. Tenga cuidado al trabajar cerca de aguas residuales o fertilizantes debido a su alta concentración de amoníaco, que es muy corrosivo. Su uso cerca de agua del mar o en otros entornos corrosivos puede requerir inspecciones o reparaciones más frecuentes para garantizar que los daños ocasionados por la corrosión no afecten al funcionamiento del producto.
- **Riesgos químicos:** las soluciones que contengan ácidos o productos químicos cáusticos, sobre todo a temperaturas elevadas, pueden provocar daños en los SRL DBI-SALA. Cuando se trabaje con tales sustancias químicas, realice inspecciones frecuentes del SRL completo. Es difícil detectar el daño que producen las sustancias químicas al cabo salvavidas, así que recomendamos reemplazarlo periódicamente para garantizar que esté en buenas condiciones. El cabo salvavidas debe reemplazarlo un agente de servicio autorizado. Consulte con DBI-SALA si tiene alguna duda acerca del uso de este equipo en un entorno de riesgos químicos.
- **Calor:** este equipo no está diseñado para su uso en ambientes a altas temperaturas. Proteja este equipo cuando se vaya a usar en lugares donde se cortan metales, se estén realizando soldaduras o se lleven a cabo actividades similares. Las chispas calientes pueden quemar o dañar este equipo. Póngase en contacto con DBI-SALA para obtener información detallada acerca del uso de este equipo en ambientes a altas temperaturas.
- **Riesgos eléctricos:** en el caso de los cabos salvavidas de cable metálico, existe la posibilidad de que fluya corriente eléctrica a través del cabo salvavidas. Tenga cuidado con las partes en las que el cabo pueda entrar en contacto con líneas eléctricas de alta tensión.

- **Capacidad:** el SRL está diseñado para su uso por personas con un peso total (ropa, herramientas, etc.) de entre un mínimo de 34 kg y un máximo de 141 kg. No debe engancharse más de una persona a la vez.
- **Velocidad de bloqueo:** se deben evitar las situaciones que no permitan un trayecto de caída sin obstrucciones. Trabajar en espacios reducidos o estrechos puede no permitir que el cuerpo alcance la velocidad suficiente como para provocar el bloqueo del SRL en caso de que se produzca una caída. Trabajar en materiales de desplazamiento lento, como arena o grano, puede no permitir que se alcance la velocidad suficiente como para provocar el bloqueo del SRL. Puede suceder una situación similar en tejados con una leve pendiente, en los que el trabajador puede deslizarse en vez de caerse. Es necesario un trayecto sin obstáculos para garantizar un bloqueo correcto del SRL.
- **Régimen de energía de descenso y valores máximos de descenso:** el régimen de energía de descenso, la distancia de descenso máxima y la velocidad de descenso máxima para el SRL son los siguientes:

Régimen de energía de descenso =	Peso máx. x altura máx. x n.º de descensos 141 kg x 15 m x 1 = 2.115 m·kg
Distancia de descenso máxima =	15 m
Velocidad de descenso máxima =	1,8 m/s

- **Velocidad de descenso:** cuando el SRL está en modo de descenso, la velocidad promedio de descenso del usuario hasta el suelo será de 0,6 m/s.
- **Sistemas horizontales:** en las aplicaciones donde se utiliza un SRL junto con un sistema horizontal (p. ej., vigas en doble T horizontales o carros), el SRL y los componentes del sistema horizontal deben ser compatibles. El diseño y la instalación de los sistemas horizontales deben realizarse con la supervisión de un ingeniero cualificado.
- **Estructuras de soporte:** cuando utilice un SRL con una estructura de apoyo (p. ej., un trípode o un brazo pescante), asegúrese de que la estructura de apoyo sea compatible con la conexión, el funcionamiento, la estabilidad y la resistencia del SRL.

PLANIFICACIÓN DEL SISTEMA: planifique cuál será el sistema de protección contra caídas y la forma en que lo utilizará antes de comenzar el trabajo. Tenga en cuenta todos los factores que afectarán su seguridad antes, durante y después de una caída. Tenga en cuenta las siguientes consideraciones cuando planifique el sistema:

- **Anclaje:** en la Figura 2 se ilustran métodos de anclaje aceptables para el SRL. Seleccione un punto de anclaje que sea rígido y capaz de soportar una carga de 10 kN. Realice solamente conexiones compatibles con los anclajes conforme a la normativa EN 795. Enganche solamente a un anclaje del techo. No trabaje por encima del anclaje (véase la Figura 3).
- **Caídas con oscilación:** las caídas con oscilación se pueden producir cuando el punto de anclaje no está directamente por encima del punto donde se produce la caída (véase la Figura 4). La fuerza con que se golpea un objeto en una caída con oscilación puede causar heridas graves o la muerte. Para minimizar la posibilidad de una caída con oscilación, trabaje lo más cerca que pueda del anclaje. No permita que ocurra una caída con oscilación si ésta pudiera causar lesiones.
- **Margen de seguridad de la vía de descenso y del área de llegada:** la vía de descenso debe encontrarse libre de obstáculos. El área de llegada debe encontrarse libre de obstáculos para permitir una llegada segura al suelo (véase la Figura 5). Si no se facilitan una vía de descenso y un área de llegada sin obstáculos, se pueden provocar lesiones graves o la muerte.
- **Longitud del sistema:** asegúrese de que la longitud del sistema sea suficiente para alcanzar el nivel deseado. Si el cabo metálico es demasiado corto, el descenso se detendrá antes de que se alcance el nivel deseado, lo que dejará al trabajador suspendido por el cabo salvavidas.
- **Después de una caída:** el equipo que se haya sometido a las fuerzas de protección contra caídas debe dejar de usarse para inspeccionarlo (véase *Inspección*).

FUNCIONAMIENTO: éstos son los procedimientos generales para utilizar el *SRL RSQ Ultra-Lok*:

ADVERTENCIA: antes de cada uso, inspeccione el *SRL RSQ Ultra-Lok* conforme a los pasos descritos en la sección *Inspección*.

- A. **Soporte corporal:** cuando utilice los SRL DBI-SALA, debe llevar un arnés de cuerpo completo. Para un uso general de la protección contra caídas, conéctelo a la argolla en forma de D trasera. Para subir escaleras, fíjelo a la parte delantera del arnés. Esto es aceptable siempre que la posible caída libre sea muy corta y se pueda recuperar fácilmente algún apoyo.
- B. **Realización de conexiones:** cuando utilice un gancho o mosquetón para realizar una conexión, asegúrese de que no pueda producirse deslizamiento alguno. No utilice un gancho o mosquetón que no se cierre completamente sobre el anclaje o el conector del anclaje (véase la Figura 2). Siga las instrucciones del fabricante suministradas con cada componente del sistema. Conecte el SRL a un anclaje o un conector de anclaje apropiado (Figura 2).

En la Figura 6 se ilustra la conexión al arnés de cuerpo completo. Conecte el gancho de seguridad con autobloqueo del extremo del cabo salvavidas (6A) al dispositivo de acoplamiento de protección contra caídas situado en el arnés de cuerpo completo (6B). Asegúrese de que todas las conexiones sean compatibles en tamaño, forma y resistencia. Asegúrese de que el gancho de seguridad esté bien cerrado y bloqueado.

- C. **Selección del modo de protección contra caídas o del modo de descenso:** los SRL RSQ Ultra-Lok están equipados con una perilla de fijación (Figura 7) para colocar el SRL en modo de descenso (7A) o en modo de protección contra caídas (7B). Para seleccionar el modo de protección contra caídas o el modo de descenso:
1. Tire de la perilla de fijación (7C) hacia afuera.
 2. Gire la perilla de fijación hasta que la flecha de la superficie de la perilla apunte a la hendidura de selección del modo de descenso (7D) o a la del modo de protección contra caídas (7E) y la perilla de fijación encaje en la hendidura de selección y oiga un clic.

IMPORTANTE: los SRL RSQ Ultra-Lok están diseñados para usarse sólo en caso de emergencia y únicamente deben utilizarse para un único descenso vertical. Si el SRL se utiliza para descender, deje de usarlo inmediatamente y realice una inspección conforme a la sección *Inspección* de este manual.

- D. **Protección contra caídas:** cuando el trabajador está sujeto al SRL, éste tiene libertad de movimiento dentro de las áreas de trabajo recomendadas a velocidades normales. El cabo salvavidas debería extenderse suavemente y retraerse sin dificultades. Si se produce alguna situación en la que el cabo quede flojo durante un uso normal, se debe devolver la unidad a DBI-SALA para repararlo. En caso de que se produzca una caída, el SRL se bloqueará y detendrá la caída. Después de una situación de rescate, deje de usar el SRL. Realice la inspección como se describe en la sección *Inspección*. Cuando trabaje con el SRL, deje siempre que el cabo salvavidas se repliegue en el dispositivo bajo control. Es posible que se necesite un cabo corto de retención para extender o retraer el cabo salvavidas al conectarlo o desconectarlo. Si se deja el cabo salvavidas completamente extendido durante periodos prolongados, el resorte de retracción podría debilitarse prematuramente.

- E. **Rescate asistido:** en situaciones de emergencia, el SRL RSQ Ultra-Lok se puede utilizar para realizar un rescate asistido y bajar a la víctima hasta un lugar seguro. El responsable del rescate puede desacoplar el modo de protección contra caídas e iniciar y detener el descenso con el anillo de tracción de la perilla de fijación (Figura 8) o con una herramienta de liberación de la polea de extensión opcional (Figura 9):

- **Anillo de tracción de la perilla de fijación:** para desacoplar el modo de protección contra caídas e iniciar el descenso, sujete el anillo de tracción y tire fuerte de la perilla de fijación hacia afuera (8A). Para detener el descenso; libere el anillo de tracción para volver a acoplar el modo de protección contra caídas (8B). Para acoplar totalmente el modo de descenso, de manera que el descenso continúe sin tener que tirar del anillo de tracción, gire la perilla de fijación en sentido contrario a las agujas del reloj (8C) hasta que la flecha de la superficie de la perilla apunte a la hendidura de selección de descenso (véase la Figura 7A).

NOTA: se necesita una fuerza de tracción de entre 0,36 kN y 0,45 kN para liberar la perilla de fijación del modo de protección contra caídas.

- **Herramienta de liberación del polo de extensión:** inserte la herramienta de liberación de la polea de extensión desde cualquier dirección de manera que los extremos de las horquillas de liberación rodeen la base de la perilla de fijación por debajo del saliente estriado y del anillo de tracción (9A). Para desacoplar el modo de protección contra caídas e iniciar el descenso, adelante el polo de extensión hasta que la perilla de fijación esté completamente colocada entre las horquillas de liberación (9B). El descenso continuará mientras la perilla de fijación esté completamente insertada entre las horquillas de liberación. Para detener el descenso, tire del polo de extensión hacia atrás hasta que la perilla de fijación vuelva a acoplarse en modo de descenso (9C).

IMPORTANTE: las horquillas de liberación de la herramienta de liberación del polo de extensión son cónicas para empujar la perilla de fijación hacia afuera con fuerza cuando éstas se empujan hacia adelante en la perilla. No es necesario hacer palanca en la perilla con el polo de extensión. Si lo hace, podría romper la perilla.

FRECUENCIA DE INSPECCIÓN: para garantizar un funcionamiento seguro y eficaz, debe inspeccionar el SRL RSQ Ultra-Lok con la frecuencia siguiente:

- **Antes de cada uso:** inspeccione visualmente el SRL siguiendo los pasos definidos en la sección *Inspección* siguiente.
- **Anualmente:** una persona experta (distinta del usuario) debe realizar una inspección formal del SRL y de su conexión a la estructura una vez al año como mínimo. La frecuencia de las inspecciones formales debe basarse en las condiciones de uso o de exposición. Consulte la sección siguiente para conocer el *Procedimiento de inspección*. Anote los resultados de la inspección en el *Historial de reparaciones e inspecciones periódicas* de la sección *"Instrucciones generales de uso y mantenimiento"* (5902392), o bien utilice la etiqueta RFID i-Safe™ del SRL (Figura 10) y el dispositivo de lectura i-Safe™ para registrar información en el portal web.

IMPORTANTE: si el equipo se expone a unas condiciones de trabajo extremas (clima extremo, uso prolongado, etc.), es posible que deba realizar las inspecciones con mayor frecuencia.

- **Después de la protección contra caídas:** si el SRL RSQ Ultra-Lok ha sido sometido a cargas de protección contra caídas o impacto, debe dejar de usarlo para inspeccionarlo conforme a las secciones *Inspección del indicador de impactos* y *Procedimiento de inspección*.

INSPECCIÓN DE INDICADOR DE IMPACTOS: el SRL RSQ Ultra-Lok incluye un indicador de impactos en el gancho del cabo salvavidas (véase la Figura 11). Inspeccione el gancho para comprobar si tiene una banda roja visible (11A). Si la banda roja no está visible, el gancho está en modo normal (11B). Si la banda roja está visible, el gancho está en modo indicado (11C), lo que muestra que se ha producido una carga de impacto. El SRL se debe dejar de usarse para inspeccionarlo. NO intente restablecer el indicador de impacto. Devuélvalo a un centro de servicio técnico autorizado para su puesta a cero.

PASOS DE LA INSPECCIÓN: según los intervalos definidos en *Frecuencia de las inspecciones*, inspeccione el SRL como se describe a continuación:

- Paso 1.** Inspecciónelo para comprobar si hay tornillos o partes dobladas o dañadas.
- Paso 2.** Inspeccione la carcasa del SRL para comprobar si presenta deformaciones, fisuras u otros daños. Asegúrese de que el cáncamo giratorio no esté dañado ni deformado de algún modo. Asegúrese de que el cáncamo giratorio gire libremente.
- Paso 3.** El cabo salvavidas se debe extraer y retraer por completo sin dificultad o sin que el cabo quede flojo.
- Paso 4.** Asegúrese de que el SRL se bloquea cuando se tira del cabo salvavidas de manera brusca. El bloqueo debe ser definitivo, sin deslizamiento.
- Paso 5.** Las etiquetas deben estar presentes y ser completamente legibles (véase *Etiquetado*)
- Paso 6.** Revise si la unidad presenta señales de corrosión.
- Paso 7.** Inspeccione el cabo salvavidas (Figura 12) para comprobar si presenta cortes, dobleces (12A), cables rotos (12B), arqueamiento, corrosión (12C), salpicaduras de soldadura (12D), áreas de contacto con productos químicos o áreas con abrasión grave (véase la Figura 12). Deslice el tope del cabo salvavidas hacia arriba (Figura 10) e inspeccione los casquillos para comprobar si presentan grietas o daños, y examine el cable metálico para verificar si presenta señales de corrosión o tiene cables rotos. El cabo salvavidas debe estar libre de nudos en toda su extensión. Examine si está demasiado sucio, tiene pintura acumulada y manchas de óxido. Revise si sufrió daños ocasionados por sustancias químicas o calor, que se evidencian en zonas marrones, decoloradas o quebradizas. Examine si presenta daños por radiación ultravioleta, que pueden identificarse por la decoloración, y pequeñas roturas o separaciones en la superficie del cabo salvavidas.
- Paso 8.** Realice una prueba manual de tracción para verificar el correcto funcionamiento del SRL RSQ Ultra-Lok en modo de descenso:
 - A. Sujete el cable del cabo salvavidas y tire firme y rápidamente para activar el sistema.
 - B. Siga tirando del cable hasta 1 m aproximadamente mientras acopla el SRL en modo de descenso (véase *Selección de modo de protección contra caídas o de modo de descenso*). Se debe poder tirar del cable de forma rápida y fácil hasta que se acople el modo de descenso; en ese instante, debe ser mucho más difícil tirar del cable.
- Paso 9.** Inspeccione los ganchos conectores o mosquetones para comprobar si presentan señales de daño, corrosión y verificar su estado de buen funcionamiento.
- Paso 10.** Inspeccione cada componente del sistema o subsistema según las instrucciones correspondientes del fabricante.
- Paso 11.** Anote los resultados de la inspección en el Historial de reparaciones e inspecciones periódicas de las *"Instrucciones generales de uso y mantenimiento"* (5902392), o bien utilice la etiqueta RFID i-Safe™ del SRL (Figura 10) y el dispositivo de lectura i-Safe™ para registrar información en el portal web.

DEFECTOS: si la inspección o el uso revelan algún defecto, ponga inmediatamente fuera de servicio el SRL RSQ Ultra-Lok y póngase en contacto con un centro de servicio técnico autorizado para su reparación.

IMPORTANTE: Sólo Capital Safety o las partes autorizadas por escrito deben reparar este equipo.

MANTENIMIENTO Y SERVICIO: éstas son las directrices para el mantenimiento y el servicio del SRL RSQ Ultra-Lok:

- Limpie periódicamente el exterior del SRL con agua y una solución jabonosa suave. Coloque el SRL de modo que el exceso de agua pueda drenarse. Limpie las etiquetas cuando sea necesario.
- Limpie el cabo salvavidas con agua y una solución jabonosa suave. Enjuáguelo y séquelo completamente al aire. No fuerce el secado por medio de calor. Cualquier acumulación excesiva de suciedad, pintura u otros restos puede impedir que el cabo salvavidas se retraiga completamente, lo que causaría un posible riesgo de caída libre. Sustituya el cabo salvavidas si existe suciedad excesiva.

ADVERTENCIA: Si el cabo salvavidas entra en contacto con ácidos, retire la unidad del servicio y lávela con agua y una solución jabonosa suave. Inspeccione la unidad antes de volver a ponerla en servicio.

- La sustitución de piezas y los procedimientos adicionales de mantenimiento y reparación del cabo salvavidas deben ser realizados por un centro de servicio autorizado. Para ello, DBI-SALA debe emitir una autorización y un número de devolución. No lubrique ninguna pieza. No desarme el SRL.

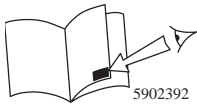
ALMACENAMIENTO: almacene el SRL RSQ Ultra-Lok en un lugar limpio y seco. Evite las zonas donde pueda haber vapores químicos. No apile objetos encima del SRL. Inspeccione exhaustivamente el SRL después de un período largo de almacenamiento. Limpie y guarde el soporte corporal y los componentes asociados del sistema conforme a las instrucciones del fabricante.

ESPECIFICACIONES: véase la Figura 1 para conocer las dimensiones físicas y los materiales. Éstas son las características de funcionamiento:

- *Intervalo de trabajo:* 15 m
- *Reserva de emergencia:* además del intervalo de trabajo, existe una reserva de emergencia de 61 cm.
- *Fuerza máxima de detención:* 6 kN
- *Distancia máxima de detención:* 2 m
- *Capacidad:* entre 34 kg y 141 kg

PREFÁCIO: As presentes instruções descrevem a instalação e utilização da corda de segurança auto-retráctil (SRL) Ultra-Lok RSQ. Deve ser usado como parte de um programa de formação para colaboradores, tal como requerido pela CE.

IMPORTANTE: Antes de utilizar este equipamento, anote a informação de identificação do produto, constante da etiqueta de instalação e de assistência na ficha de identificação do equipamento, no verso das "Instruções gerais para a utilização e manutenção" (5902392).



CAIXAS DE REFERÊNCIA DE GLOSSÁRIO GERAIS: As caixas brancas de Referência de Glossário na capa destas instruções referem-se aos itens de "Glossário" incluídos nas "Instruções gerais de utilização e manutenção" (5902392).

FORMAÇÃO: É da responsabilidade dos utilizadores deste equipamento compreenderem as presentes instruções e receberem a formação quanto à instalação, utilização e manutenção correctas deste equipamento. Os utilizadores devem estar conscientes das consequências de uma instalação incorrecta ou utilização imprópria deste equipamento. O presente manual de instruções não substitui um programa de formação. A formação deve ser ministrada regularmente para assegurar a competência técnica do utilizador.

DESCRIÇÃO: A SRL Ultra-Lok RSQ (figura 1) oferece tanto a função de protecção anti-queda como de salvamento. Um botão de selecção bimodal permite ao utilizador seleccionar entre a protecção anti-queda para o salvamento assistido ou o auto-salvamento que faz descer o utilizador até ao chão ou ao nível do solo. Nos quadros 1 e 2 estão definidos os modelos disponíveis de SRL Ultra-Lok RSQ.

Quadro 1 - SRLrI ModelsModel Ultra-Llok RrSQ de descida controlada

Número de Modelo ¹	Alcance de funcionamento	Tipo de corda de segurança	Modelo de gancho ¹	Dimensões (C x L x A)	Peso
3504553	15 m	Arame de aço galvanizado	9502194	29,69 cm x 23,19 cm x 15,09 cm	8,8 kg
3504554	15 m	Cabos de arame em aço inoxidável	9502194	29,69 cm x 23,19 cm x 15,09 cm	8,8 kg
3504555	15 m	Cabos de arame em aço inoxidável	2100044	29,69 cm x 23,19 cm x 15,09 cm	8,8 kg

¹ Consultar o quadro 2 para obter informações sobre o gancho.

Quadro 2 - Informação sobre o gancho

Modelo do gancho	Material	Descrição
9502194	Aço ligado	Mosquetão giratório de bloqueio automático com indicador, lingueta de 16 kN
2100044	Aço inoxidável	Mosquetão giratório de bloqueio automático com indicador, lingueta de 16 kN

FIM: A SRL Ultra-Lok RSQ está concebida para a protecção anti-queda e os movimentos de descida.

- **Protecção anti-queda:** A SRL Ultra-Lok RSQ consiste em componentes de Sistemas Pessoais de Protecção anti-queda (PFAS - Personal Fall Arrest Systems) para situações onde existe o perigo de queda. Os dispositivos PFAS incluem tipicamente um arnês completo para o corpo, um conector de ancoragem (por exemplo mosquetões) e a SRL. As SRL são usadas em situações que requerem a mobilidade do trabalhador e a protecção contra quedas (inspecção, construção geral, manutenção, produção petrolífera, espaços confinados, etc.).
- **Descida:** A SRL Ultra-Lok RSQ permite ao trabalhador descer em segurança em aplicações de auto-salvamento. O sistema de descida de salvamento inclui tipicamente um arnês completo para o corpo, um conector de ancoragem e a SRL.

LIMITAÇÕES: a instalação e utilização deste equipamento restringe-se às seguintes limitações:

- **Corrosão:** Não mantenha este equipamento durante longos períodos em ambientes em que a corrosão de partes em metal poderia ocorrer como resultado das emissões de vapores de materiais orgânicos. Seja cauteloso ao trabalhar em sistemas de esgotos ou com fertilizantes com elevada concentração de amoníaco, que é muito corrosivo. A utilização próxima de água do mar ou de outros elementos corrosivos pode requerer inspecções ou serviços de assistência mais frequentes para assegurar que os danos provocados pela corrosão não afectam o desempenho do produto.
- **Perigos químicos:** Soluções que contêm produtos químicos ácidos ou cáusticos, particularmente a elevadas temperaturas, podem danificar as SRL DBI-SALA. Deve proceder-se a inspecções frequentes de toda a SRL, ao se trabalhar com esse tipo de produtos químicos. É difícil detectar os danos químicos sobre a lifeline e recomenda-se que a lifeline seja substituída regularmente a fim de garantir a segurança. A lifeline deve ser substituída por um agente autorizado do serviço de assistência. Consulte a DBI-SALA em caso de dúvida acerca da utilização deste equipamento em áreas que apresentem perigos químicos.
- **Aquecimento:** Este equipamento não foi concebido para ser utilizado em ambientes com temperaturas elevadas. Proteja este equipamento ao utilizar o mesmo próximo de áreas onde se proceda a actividades de soldadura, corte de metal ou similares. As faíscas quentes podem queimar ou danificar este equipamento. Contacte a DBI-SALA para obter informações detalhadas sobre a utilização deste equipamento em ambientes com temperaturas elevadas.

- **Perigos eléctricos:** Com cordas de segurança em cabo de arame, a corrente eléctrica pode circular através da corda. Seja cauteloso em situações em que a corda de segurança pode entrar em contacto com linhas eléctricas de alta tensão.
- **Capacidade:** As SRL foram concebidas para serem usadas por pessoas com um peso combinado (vestuário, ferramentas, etc.) de, pelo menos, 34 kg e ,no máximo, de 141 kg. Não pode ser conectada mais de uma pessoa de cada vez.
- **Velocidade de bloqueio:** Devem ser evitadas as situações em que não exista um espaço para uma queda desobstruída. O trabalho executado em espaços confinados ou apertados pode não permitir atingir a velocidade suficiente para originar o bloqueio do SRL numa situação de queda. O trabalho executado com materiais de lenta movimentação como a areia ou grãos pode não permitir atingir a velocidade suficiente para originar o bloqueio do SRL. Pode ocorrer uma situação similar em tectos com pouca inclinação, onde um trabalhador pode escorregar em vez de cair. É necessário que exista um caminho livre para assegurar um bloqueio efectivo da SRL.
- **Avaliação da energia de descida & valores máximos de descida:** A avaliação da energia de descida, a distância máxima de descida e o valor máximo de descida para a SRL são as seguintes:

Avaliação da energia de descida =	Max. Peso x altura máx. x # de descidas 141 kg x 15 m x 1 = 2,115 m-kg
Distância máx. de descida =	15 m
Valor máx. de descida =	1.8 m/s

- **Velocidade de descida:** Quando a SRL se encontra em modo de descida, a velocidade média de descida a que o utilizador será baixado até ao solo é de 0.6 m/s.
- **Sistemas horizontais:** Em aplicações nas quais uma SRL é usada em conjunto com um sistema horizontal (por exemplo vigas em I, troleis horizontais), os componentes da SRL e do sistema horizontal devem ser compatíveis. Os sistemas horizontais devem ser concebidos e instalados sob a supervisão de um engenheiro qualificado.
- **Estruturas de apoio:** Ao utilizar uma SRL com uma estrutura de apoio (por exemplo um tripé, braço elevatório), certifique-se de que a estrutura de apoio é compatível com a ligação, funcionamento, estabilidade e resistência da SRL.

PLANEAMENTO DE SISTEMA: Planeie o seu sistema de protecção contra quedas e o modo como este será usado antes de iniciar o seu trabalho. Tome em consideração todos os factores que irão afectar a sua segurança antes, durante e após uma queda. Inclua as seguintes considerações ao planificar o seu sistema:

- **Ancoragem:** A figura 2 ilustra os métodos de ancoragem aceitáveis para a SRL. Selecione um ponto de ancoragem rígido capaz de suportar uma carga de 10 kN. Efectue apenas ligações a âncora compatíveis em conformidade com a norma EN795. Connect only to an overhead anchorage. Não trabalhe acima da ancoragem (ver figura 3).
- **Quedas em pêndulo:** As quedas em pêndulo podem ocorrer quando o ponto de ancoragem não se encontra directamente acima do ponto em que ocorre uma queda (ver figura 4). Numa queda em pêndulo, a força do impacto contra um objecto pode causar ferimentos graves ou a morte. Minimizar as quedas em pêndulo, trabalhando o mais próximo possível da ancoragem. Não permita a ocorrência de uma queda em pêndulo se puderem daí resultar ferimentos.
- **Percurso de descida e desobstrução da área de aterragem:** O seu percurso de descida deve encontrar-se desobstruído. A área de aterragem deve livre de obstruções para permitir uma aterragem segura (ver figura 5). A inexistência de um percurso de descida e de área de aterragem desobstruídos pode dar origem a ferimentos graves ou causar a morte.
- **Comprimento do sistema:** Certifique-se de que o comprimento do sistema é suficiente para atingir o nível desejado. Se o cabo de arame for demasiado curto, a descida terminará antes de ser atingido o nível desejado, deixando o trabalhador suspenso pela corda de segurança.
- **Após uma queda:** O equipamento sujeito a forças de protecção anti-queda deve ser removido do serviço para ser submetido a inspeção (ver *Inspeção*).

FUNCIONAMENTO: Os procedimentos gerais para a utilização da SRL *Ultra-Lok RSQ* são os seguintes:

AVISO: Antes de cada utilização, inspecione cuidadosamente a SRL *Ultra-Lok RSQ* de acordo com os passos descritos na secção *Inspeção*.

- Apoio do corpo:** Ao utilizar SRL DBI-SALA, deve usar um arnês completo para o corpo. Para utilizações de protecção geral contra quedas, ligue a anilha traseira em forma de "D". Para situações, tais como subida de escadas, prender à parte frontal do arnês. Isso é aceitável desde que a potencial queda livre seja curta e que se possa facilmente voltar a pousar o pé.
- Efectuar ligações:** Ao utilizar um gancho ou mosquetão para estabelecer uma ligação, certifique-se de que não existe a possibilidade de deslize. Não use um gancho ou mosquetão que não se fechem completamente sobre a ancoragem ou um conector de ancoragem (ver figura 2). Siga as instruções do fabricante fornecidas com cada componente de sistema. Ligue a SRL (A) a uma ancoragem adequada ou um conector de ancoragem apropriado (ver figura 2).

A figura 6 ilustra a ligação ao arnês de corpo inteiro. Ligue o mosquetão giratório de bloqueio automático na extremidade da corda de segurança ao sistema de protecção anti-queda no arnês de corpo inteiro (6B). Ensure connections are compatible in size, shape, and strength. Certifique-se de que o mosquetão se encontra fechado e trancado de forma segura.

C. **Seleção de modo de protecção anti-queda/de descida:** As SRL Ultra-Lok estão equipadas com um botão de engate (figura 7) para engatar a SRL no modo de descida (7A) ou no modo de protecção anti-queda (7B). Para seleccionar o modo de protecção anti-queda ou de descida:

1. Puxe o botão de engate (7C) para fora.
2. Rode o botão de engate até a seta que se encontra no botão apontar para a ranhura de selecção do modo de descida (7D) ou para o modo anti-queda (7E) e o botão de activação encaixar na ranhura de selecção.

IMPORTANTE: As SRL Ultra-Lok RSQ foram apenas concebidas para utilização em casos de emergência e podem apenas ser utilizadas para uma descida vertical única. Se a SRL for utilizada para proceder a uma descida, retire-a, de imediato, de serviço e inspecione-a de acordo com a secção *Inspeção deste manual*.

D. **Protecção anti-queda:** Ligado à SRL, o trabalhador fica liberto para se movimentar dentro de áreas de trabalho recomendadas em velocidades normais. A corda de segurança deve esticar-se sem solavancos e encolher sem hesitação. Se a corda criar uma condição de folga durante a utilização normal, a unidade deverá ser devolvida à DBI-SALA para manutenção. Em caso de queda, a SRL irá bloquear e travá-la. Após o salvamento não continue a utilizar a SRL. Proceda à inspecção conforme descrito na secção *Inspeção*. Quando trabalhar com uma SRL, permita que a corda de segurança se recolha para dentro do dispositivo sob controlo. Pode ser necessário um pequeno cabo de apoio para esticar ou recolher a corda durante a conexão ou desconexão. Permitir que a corda de segurança esteja totalmente esticada durante longos períodos de tempo pode causar o enfraquecimento prematuro da mola de retracção.

E. **Salvamento assistido:** Em situações de emergência, a SRL Ultra-Lok RSQ pode ser usada numa acção de salvamento assistido e para baixar a vítima até uma posição segura. A pessoa que procede ao salvamento pode desengatar o modo anti-queda e iniciar e terminar a descida com a anilha do botão de engate (figura 8) ou uma ferramenta opcional de desbloqueio de vara de extensão (figura 9):

- **Anilha do botão de engate:** Para desengatar o modo anti-queda e iniciar a descida, segure a anilha e puxe o botão de engate para fora (8A). Para para a descida, solte a anilha para voltar a engatar o modo de protecção anti-queda (8B). Para engatar completamente o modo de descida para que esta prossiga sem se ter de puxar a anilha, rode o botão de engate no sentido contrário ao dos ponteiros do relógio (8C) até que a seta que se encontra no botão apontar para a ranhura da selecção de descida (ver a figura 7A).

NOTA: É necessário um esforço de tracção entre 0.36 kN - 0.45 kN para soltar o botão de engate do modo de protecção anti-queda.

- **Ferramenta de desbloqueio de vara de extensão:** Insira a ferramenta de desbloqueio de vara de extensão a partir de qualquer direcção de modo a que as extremidades das forquilhas de desbloqueio rodeiem a base do botão de engate por baixo da saliência estriada e da anilha (9A). Para desengatar o modo de protecção anti-queda e iniciar a descida, empurre a vara de extensão para a frente até o botão de engate se encontrar completamente alojado entre as forquilhas de desbloqueio (9B). A descida irá prosseguir durante o tempo que o botão de engate estiver completamente inserido entre as forquilhas de desbloqueio. Para parar a descida, puxe a vara de extensão para trás até o botão de engate voltar a engatar no modo de descida (9C).

IMPORTANTE: As forquilhas de desbloqueio na ferramenta de desbloqueio de vara de extensão são cônicas para puxar o botão de engate para fora à medida que as forquilhas são empurradas para a frente no botão. Não é necessário forçar o botão com a vara de extensão. Se forçar pode partir o botão.

FREQUÊNCIA DA INSPECÇÃO: Para assegurar um funcionamento seguro e eficiente, deve proceder-se à inspecção da SRL Ultra-Lok RSQ com a seguinte frequência:

- **Antes de cada utilização:** inspecionar visualmente a SRL de acordo com os passos de *Inspeção* definidos na próxima secção.
- **Anualmente:** deverá proceder-se a uma inspecção formal da corda de segurança auto-retráctil e da sua ligação à estrutura, pelo menos, uma vez por ano por uma pessoa competente, que não o utilizador. A frequência das inspecções formais deverá basear-se nas condições de uso ou exposição. Consulte a secção seguinte para ficar a conhecer os *Passos da inspecção*. Registe a data e resultados da inspecção no *historial de exames periódicos e reparações* nas *Instruções gerais de utilização e manutenção* (5902392), ou utilize a etiqueta de RFID i-Safe™ (figura 10) e o dispositivo de leitura i-Safe™ para registar a informação no portal da web.

IMPORTANTE: As condições de trabalho extremas (ambiente agreste, utilização prolongada, etc.) podem exigir um aumento da frequência das inspecções.

- **Após uma travagem anti-queda:** Se a SRL Ultra-Lok RSQ tiver sido sujeita a forças de protecção anti-queda ou de impacto, deve ser retirada de serviço e inspecionada de acordo com as secções *Inspeção de indicador de impacto* e *Passos da inspecção*.

INSPECÇÃO DO INDICADOR DE IMPACTO: A SRL Ultra-Lok RSQ está equipada com um indicador de impacto no gancho da corda de segurança (ver figura 11). Inspecione o gancho quanto à existência de uma costura vermelha exposta (11A). Se a costura vermelha não estiver exposta, isso significa que o gancho se encontra no modo normal (11B). Se estiver exposta uma costura vermelha, isso significa que o gancho se encontra no "modo indicado" (11C) e que ocorreu uma carga de impacto. A corda de segurança auto-retráctil deve ser retirada de serviço e ser submetida a uma inspecção. NÃO TENHA de reiniciar o indicador de impacto. Devolva-o a um serviço de assistência autorizado para que se proceda à reposição das configurações.

PASSOS DA INSPECÇÃO: De acordo com os intervalos definidos na *Frequência da Inspeção*, inspeccione a corda de segurança SRL do seguinte modo:

- Passo 1.** Proceda à inspeção com vista a detectar parafusos soltos ou peças dobradas ou danificadas.
- Passo 2.** Inspeccione o invólucro da SRL hpara verificar se existem distorções, fendas ou outros danos. Certifique-se de que o olhal giratório não se encontra danificado ou de modo algum deformado. Certifique-se de que o olhal giratório roda sem obstruções.
- Passo 3.** A corda de segurança deverá poder esticar e encolher totalmente sem hesitações nem criação de condições de folga.
- Passo 4.** Certifique-se de que a SRL trava quando a corda de segurança é puxada bruscamente.. A travagem deve ser eficaz, sem deslizamentos.
- Passo 5.** Devem existir etiquetas e as mesmas devem estar completamente legíveis. (ver *Etiquetagem*)
- Passo 6.** Procure sinais de corrosão em toda a unidade.
- Passo 7.** Inspeccione a corda de segurança (figura 12), procurando cortes, dobras (12A), arames partidos (12B) e desfiados, corrosão (12C), resíduos de soldagem (12D), áreas com contacto químico ou que tenham sofrido com intensidade efeitos abrasivos (ver figura 12). Faça deslizar o amortecedor do cabo (fugura 10) e inspeccione procurando fendas ou danos nas braçadeiras e corrosão e arames partidos no cabo de arame. A corda de segurança deve estar isenta de nós a todo o comprimento. Inspeccione quanto a sinais de sujidade excessiva, acumulação de tinta e manchas de ferrugem. Certifique-se de que não há danos causados por produtos químicos ou pelo calor, indicados por zonas castanhas, descoloradas ou desfiadas. Inspect for ultraviolet damage indicated by discoloration and the presence of splinters and slivers on the lifeline surface.
- Passo 8.** efectue um teste de activação manual para verificar o funcionamento adequado da SRL Ultra-Lok RSQ no modo de descida:
- A. Segure o cabo da corda de segurança e puxe de forma firme e rápida para activar o sistema.
 - B. Continue a puxar aproximadamente 1 m do cabo enquanto engata a SRL no modo de descida (ver *Seleção de modo de protecção anti-queda/de descida*). O cabo deve ser puxado rapida e facilmente até o modo de descida estar engatado; nesse momento, o cabo deve implicar um esforço muito maior para ser puxado.
- Passo 9.** Inspeccione os ganchos ou mosquetões de ligação para detectar sinais de danos, corrosão e de funcionamento adequado.
- Passo 10.** Inspeccione cada componente do sistema ou subsistema de acordo com as instruções do fabricante associado.
- Passo 11.** Registe os resultados da inspeção no historial de exames periódicos e reparações nas *“Instruções gerais de utilização e manutenção” (5902392)*, ou utilize a etiqueta RFID i-Safe™ da SRL (figura 10) e o dispositivo de leitura i-Safe™ para registar a informação no portal da web.

DEFECTS: Se a inspeção ou o funcionamento revelar uma condição defeituosa, retire de imediato a SRL Ultra-Lok RSQ de serviço e contacte um centro de assistência autorizado para proceder à sua reparação.

IMPORTANTE: *penas a Capital Safety ou terceiros com autorização escrita podem efectuar reparações neste equipamento.*

MANUTENÇÃO E SERVIÇO DE ASSISTÊNCIA: As directrizes para os procedimentos de manutenção e reparação da SRL Ultra-Lok RSQ são as seguintes:

- limpe regularmente o exterior da SRL com água e um detergente suave. Posicione a SRL de tal forma que o excesso de água possa ser drenado. Limpe as etiquetas conforme requerido.
- Limpe a corda de segurança com uma solução de sabão suave e água. Lave com água e deixe secar completamente ao ar. Não aplique calor para acelerar a secagem. Uma acumulação excessiva de sujidade, tinta, etc poderá impedir a corda de segurança de se retrair na totalidade, provocando um risco potencial de queda livre. Proceda à substituição da corda de segurança, caso verifique a presença de uma acumulação excessiva.

ADVERTÊNCIA: *Se a corda de segurança entrar em contacto com ácidos, retire a unidade de serviço e lave-a com água e uma solução de sabão suave. Inspeccione a unidade antes de voltar a colocá-la em funcionamento.*

- A substituição da corda de segurança e procedimentos adicionais de manutenção e assistência devem ser efectuados por um centro de assistência autorizado. A DBI-SALA deve emitir uma autorização e um número de devolução. Não lubrifique quaisquer peças. Não desmonte a SRL.

ARMAZENAMENTO: Guarde a SRL Ultra-Lok RSQ num ambiente limpo e seco. Evite áreas onde possam existir vapores químicos. Não empilhe objectos por cima da SRL. Inspeccione minuciosamente a SRL após um armazenamento prolongado. Limpe e armazene o suporte do corpo e componentes do sistema associados, de acordo com as instruções do fabricante.

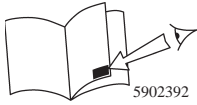
ESPECIFICAÇÕES: consulte a figura 1 para obter informações sobre as dimensões e os materiais. As características operacionais são as seguintes:

- *Alcance de funcionamento:* 15 m
- *Reserva de Emergência:* Para além do alcance de funcionamento, existe uma reserva de emergência de 61 cm.
- *Força máxima de travagem:* 6 kN
- *Distância máxima de travagem:* 2 m
- *Capacidade:* 34 kg -141 kg

FÖRORD: Denna bruksanvisning beskriver installation och användning av Ultra-Lok RSQ självindragande livlina. Den ska användas som en del av ett personalutbildningsprogram i enlighet med CE-kraven.

SW

VIKTIGT: Innan denna utrustning används är det viktigt att anteckna produktidentifieringsinformationen från installations- och serviceetiketten på utrustningsidentifieringsbladet längst bak i de allmänna anvisningarna för användning och underhåll (5902392).



ALLMÄNNA REFERENSRUTOR TILL ORDLISTAN: Vita referensrutor till ordlistan på framsidan av denna bruksanvisning hänvisar till uppslagsord i de allmänna anvisningarna för användning och underhåll (5902392).

UTBILDNING: Användarna av denna utrustning ansvarar för att de förstår dessa anvisningar och för att vara utbildade i korrekt installation, användning och underhåll av denna utrustning. Användaren individer måste vara medveten om konsekvenserna av felaktig installation eller användning av denna utrustning. Denna bruksanvisning är ingen ersättning för ett utbildningsprogram. Utbildning måste tillhandahållas regelbundet för att säkerställa användarens kunnskap.

BESKRIVNING: Ultra-Lok RSQ självindragande livlina (figur 1) tillhandahåller funktioner för fallstopp såväl som räddning. En väljarratt med två lägen ger användaren möjlighet att välja mellan fallstopp för assisterad räddning eller självräddning, som sänker användaren till marken eller en lägre nivå. Tillgängliga Ultra-Lok RSQ självindragande livlinor definieras i tabell 1 och tabell 2.

Tabell 1 – Ultra-Lok RSQ självindragande livlina - modeller

Modellnummer ¹	Arbetslängd	Typ av livlina	Hakmodell ¹	Mått (L x B x H)	Vikt
3504553	15 m	Galvaniserad vajer	9502194	29,69 cm x 23,19 cm x 15,09 cm	8,8 kg
3504554	15 m	Rostfri stål vajer	9502194	29,69 cm x 23,19 cm x 15,09 cm	8,8 kg
3504555	15 m	Rostfri stål vajer	2100044	29,69 cm x 23,19 cm x 15,09 cm	8,8 kg

¹ Tabell 2 innehåller information om hakar.

Tabell 2 – Information om hakar

Hakmodell	Material	Beskrivning
9502194	Stållegering	Sjävlåsande svivellåshake med indikator, 16 kN öppningsspärr
2100044	Rostfritt stål	Sjävlåsande svivellåshake med indikator, 16 kN öppningsspärr

SYFTE: Ultra-Lok RSQ självindragande livlina är utformad för fallstopp och nedstigning:

- **Fallstopp:** Ultra-Lok RSQ självindragande livlinor är komponenter i personliga fallstoppsystem (PFAS) och används där fallrisker förekommer. PFAS omfattar vanligen en helkroppsele, en förankringsanslutning (t.ex. en karbinhake) och den självindragande livlinan. Självindragande livlinor används i situationer där arbetsrörlighet och fallskydd erfordras (inspektionsarbete, byggnadsarbete, underhållsarbete, oljeproduktion, arbete i trånga utrymmen osv.).
- **Nedstigning:** Ultra-Lok RSQ självindragande livlina ger användaren möjlighet till säker nedstigning i självräddningstillämpningar. Systemet för räddningsnedstigning omfattar vanligen en helkroppsele, en förankringsanslutning och den självindragande livlinan.

BEGRÄNSNINGAR: Installation och användning av denna utrustning begränsas av följande inskränkningar:

- **Korrosion:** Låt inte denna utrustning ligga under lång tid i miljöer där korrosion av metalldelar kan inträffa som resultat av ångor från organiska material. Iakttag försiktighet vid arbete kring avloppsvatten eller gödsel med höga koncentrationer av ammoniak, vilket är mycket frätande. Användning nära havsvatten eller andra frätande element kan kräva att kontroller eller service utförs oftare för att säkerställa att korrosionsskador inte påverkar produktens funktion.
- **Kemiska risker:** Lösningar som innehåller syror eller frätande kemikalier, i synnerhet vid förhöjda temperaturer, kan skada DBI-SALA självindragande livlinor. Vid arbete med sådana kemikalier måste hela livlinan kontrolleras ofta. Kemiska skador på livlinan är svåra att upptäcka och det rekommenderas att livlinan byts ut med jämna mellanrum för att garantera säkerheten. Livlinan får endast bytas ut av ett auktoriserat serviceombud. Kontakta DBI-SALA om du är tveksam när det gäller att använda denna utrustning i närheten av kemiska risker.
- **Värme:** Denna utrustning är inte utformad för användning i miljöer med höga temperaturer. Tillhandahåll skydd för denna utrustning när den används nära svetsning, metallskärning, eller liknande aktiviteter. Heta gnistor kan bränna eller skada denna utrustning. Kontakta DBI-SALA om du behöver information om användning av denna utrustning i miljöer med hög temperatur.
- **Elektriska risker:** Med vajerlivlinor finns det en risk för att livlinan ska bli strömförande. Iakttag försiktighet på platser där livlinan kan komma i kontakt med högspänningsledning.
- **Kapacitet:** Den självindragande livlinan är utformad för att användas av personer med en sammanlagd vikt (kläder, verktyg osv.) på minst 34 kg och högst 141 kg. Anslut aldrig fler än en person samtidigt.

- **Låsningshastighet:** Situationer som inte medger en obehindrad fallväg bör undvikas. Arbete i inskränkta eller trånga utrymmen ger inte kroppen möjlighet att nå tillräcklig hastighet för att den självindragande livlinan ska kunna låsas vid ett fall. Arbete på långsamt glidande material, t.ex. sand eller spannmål, medger eventuellt inte tillräcklig hastighet för att den självindragande livlinan ska kunna låsas. En liknande situation kan uppstå på svagt lutande tak där en arbetare kan glida i stället för att falla. En fri väg är nödvändig för att säkerställa säker låsning av den självindragande livlinan.
- **Klassad nedstigningsenergi och maximalt nedstigningsvärdet:** Klassad nedstigningsenergi, maximalt nedstigningsavstånd och maximal nedstigningshastighet för den självindragande livlinan är följande:

Klassad nedstigningsenergi =	Max. vikt x max. höjd x antal nedstigningar 141 kg x 15 m x 1 = 2,115 m-kg
Maximalt nedstigningsavstånd =	15 m
Maximal nedstigningshastighet =	1,8 m/sek.

- **Nedstigningshastighet:** När den självindragande livlinan används i nedstigningsläge sänks användaren till marken med en hastighet på 0,6 m/sek.
- **Vågräta system:** I tillämpningar där en självindragande livlina används tillsammans med ett vågrätt system (dvs. vågräta I-balkar och ryttare) måste den självindragande livlinan och de vågräta systemkomponenterna vara kompatibla. Vågräta system måste utformas och installeras under övervakning av en kvalificerad tekniker.
- **Stödenheter:** När en självindragande livlina används med en stödenhet (dvs. en trefot, en dävvertarm) är det viktigt att säkerställa att stödenheten är kompatibel med den självindragande livlinans anslutning, hantering, stabilitet och styrka.

SYSTEMPLANERING: Planera ditt fallskyddssystem och hur det ska användas innan du påbörjar arbetet. Överväg alla faktorer som kan påverka din säkerhet före, under och efter ett fall. Se till att överväga följande när du planerar ditt system:

- **Förankring:** Figur 2 illustrerar godtagbara förankringsmetoder för den självindragande livlinan. Välj en stadig förankringspunkt som kan klara en belastning på 10 kN. Gör endast kompatibla anslutningar till förankringar i enlighet med EN 795. Anslut endast till en förankring ovanför huvudhöjd. Arbeta inte ovanför förankringen (se figur 3).
- **Pendelfall:** Pendelfall kan inträffa när förankringspunkten inte är direkt ovanför den punkt där ett fall sker (se figur 4). Kraften från att slå emot ett föremål vid ett pendelfall kan orsaka allvarliga personskador eller dödsfall. Minska risken för pendelfall genom att arbeta så nära förankringen som möjligt. Tillåt inte möjligheten till pendelfall om det kan orsaka personskador.
- **Nedstigningsväg och landningsområde:** Nedstigningsvägen måste vara obehindrad. Landningsområdet måste vara fritt från hinder för att möjliggöra en säker landning (se figur 5). Underlåtenhet att tillhandahålla en nedstigningsväg och ett landningsområde som är fria från hinder kan leda till allvarliga personskador eller dödsfall.
- **Systemlängd:** Se till att systemlängden är tillräcklig för att nå önskad nivå. Om vajerlinan är för kort stoppas nedstigningen innan användaren når önskad nivå, varvid användaren hänger i livlinan.
- **Efter ett fall:** Utrustning som har utsatts för fallstoppskrafter måste tas ur bruk och inspekteras (se *Inspektion*).

HANDHAVANDE: De allmänna procedurerna för att använda *Ultra-Lok RSQ självindragande livlina* är följande:

VARNING: Kontrollera *Ultra-Lok RSQ självindragande livlinor* noggrant före varje användning, i enlighet med anvisningarna i avsnittet *Inspektion*.

- Kroppsstöd:** Helkroppsselen måste bäras vid användning av DBI-SALA självindragande livlinor. För allmänt fallskydd ska livlinan anslutas till D-ringen på ryggen. För situationer som klättring i stegar ska livlinan anslutas framtill på selen. Detta är godtagbart så länge det möjliga fria fallet är mycket kort och det är enkelt att få tillbaka fotfästet.
- Göra anslutningar:** När en hake eller karbinhake används för att göra en anslutning måste man säkerställa att den inte kan hopa av. Använd ingen hake eller karbinhake som inte kan stängas helt över förankringen eller förankringsanslutningen (se figur 2). Följ tillverkarens anvisningar som levereras med varje systemkomponent. Anslut den självindragande livlinan till en lämplig förankring eller förankringsanslutning (figur 2).

Figur 6 illustrerar anslutningen till helkroppsselen. Anslut den självlåsande låshaken på livlinans ände (6A) till fallstoppsfästet på helkroppsselen (6B). Kontrollera att anslutningarna är kompatibla med avseende på storlek, form och styrka. Kontrollera att låshaken är helt stängd och låst.
- Välja fallstoppsläge/nedstigningsläge:** *Ultra-Lok RSQ självindragande livlinor* är utrustade med en väljarratt (figur 7) som används för att ställa in den självindragande livlinan i nedstigningsläge (7A) eller fallstoppsläge (7B). Så här väljer man fallstoppsläge eller nedstigningsläge:
 1. Dra väljarratten (7C) utåt.
 2. Vrid väljarratten tills pilen på framsidan av ratten pekar på hacket för Descent (nedstigning - 7D) eller Fall Arrest (fallstopp - 7E) och väljarratten snäpps fast på plats i hacket.

VIKTIGT: *Ultra-Lok RSQ självindragande livlinor* är endast utformade för livräddningsändamål och får endast användas för en enda lodrät nedstigning. Om den har använts för nedstigning ska den tas ur bruk och inspekteras i enlighet med anvisningarna i avsnittet *Inspektion* i denna bruksanvisning.

- D. Fallstopp:** En arbetare som är ansluten till den självindragande livlinan kan röra sig fritt med normal hastighet inom rekommenderade arbetsområden. Livlinan ska sträckas ut jämnt och dras in utan att haka upp sig. Om en situation med slak lina uppstår under normal användning bör enheten returneras till DBI-SALA för service. Vid ett fall ska den självindragande livlinan låsa sig och stoppa fallet. Ta den självindragande livlinan ur bruk när den har använts. Inspektera enligt beskrivningen i avsnittet *Inspektion*. Under arbete med livlinan ska den dras tillbaka i enheten på ett kontrollerat sätt. En kort tamplina kan erfordras för att sträcka ut eller dra tillbaka livlinan under anslutning och bortkoppling. Att låta livlinan vara fullt utsträckt under långa perioder kan orsaka en för tidig försvagning av indragningsfjädrarna.
- E. Assisterad räddning:** I nödsituationer kan Ultra-Lok RSQ självindragande livlina användas för att utföra assisterad räddning och sänka den skadade till säkerhet. Livräddaren kan koppla ur fallstoppsläget och starta och stoppa nedstigningen med väljarrattens dragring (figur 8) eller ett valfritt frigöringsverktyg med förlängningsskaft (figur 9):

- **Väljarrattens dragring:** Koppla ur fallstoppsläget och påbörja nedstigningen genom att fatta tag i dragringen och dra väljarratten rakt utåt (8A). Stoppa nedstigningen genom att släppa dragringen så att fallstoppsläget åter kopplas in (8B). Aktivera nedstigningsläget helt och hållet (så att nedstigningen fortsätter utan att man behöver dra ut dragringen) genom att vrida väljarratten motsols (8C) tills pilen på framsidan av ratten pekar på hacket för Descent (nedstigning - se figur 7A).

OBS! Det behövs 0,36 - 0,45 kN dragkraft för att dra ut väljarratten från fallstoppsläget.

- **Frigöringsverktyg med förlängningsskaft:** För in frigöringsverktyget från valfri riktning så att frigöringsgaffelns ändar sitter runt basen på väljarratten, under den räfflade kanten och dragringen (9A). Koppla ur fallstoppsläget och påbörja nedstigningen genom att skjuta frigöringsverktyget framåt tills väljarratten sitter helt fast i frigöringsgaffeln (9B). Nedstigningen fortsätter så länge väljarratten är helt insatt i frigöringsgaffeln. Stoppa nedstigningen genom att dra förlängningsskaftet bakåt tills väljarratten åter kopplar in fallstoppsläget (9C).

VIKTIGT: Frigöringsgaffeln på frigöringsverktyget är avsmalnande så att väljarratten trycks rakt utåt när gaffeln skjuts framåt på ratten. Det är inte nödvändigt att bända ratten med förlängningsskaftet. Ratten kan brytas av om man bänder.

INSPEKTIONSINTERVALL: För att säkerställa säker, effektiv användning bör Ultra-Lok RSQ självindragande livlina inspekteras med följande intervall:

- **Före varje användningstillfälle:** Inspektera den självindragande livlinan visuellt enligt *inspektionsåtgärderna* som definieras i nästa avsnitt.
- **Årligen:** En formell inspektion av den självindragande livlinan och anslutningen till strukturen måste utföras minst en gång om året av en kompetent person annan än användaren. Intervall för formella inspektioner ska baseras på användningsförhållanden eller exponering. Nästa avsnitt beskriver *inspektionsåtgärderna*. Anteckna inspektionsresultaten i avsnittet för *periodiska kontroller och reparationshistorik* i de *allmänna anvisningarna för användning och underhåll (5902392)* eller använd den självindragande livlinans i-Safe™ RFID-märke (figur 10) och i-Safe™-skanner för att registrera information i den webbaserade portalen.

VIKTIGT: Extrema arbetsförhållanden (hård miljö, lång tids användning osv.) kan kräva att inspektionen görs oftare.

- **Efter fallstopp:** Om Ultra-Lok RSQ självindragande livlina har utsatts för ett fallstopp eller slagkrafter ska den tas ur bruk och inspekteras så som beskrivs i avsnitten *Inspektera stötindikatorn* och *Inspektionsåtgärder*.

INSPEKTERA STÖTINDIKATORN: Ultra-Lok RSQ självindragande livlina är utrustad med en stötindikator på livlinjehaken (se figur 11). Kontrollera haken för att se om det röda bandet är exponerat (11A). Om det röda bandet inte är exponerat är haken i normalt läge (11B). Om det röda bandet är exponerat är haken i indikerat läge (11C), vilket innebär att en stötblastning har förekommit. Den självindragande livlinan ska då tas ur bruk och inspekteras. Försök INTE återställa stötindikatorn. Returnera den till en auktoriserad servicecentral för återställning.

INSPEKTIONSÅTGÄRDER: Inspektera den självindragande livlinan på följande sätt med de intervall som definieras i avsnittet *Inspektionsintervall*:

- Steg 1.** Kontrollera att det inte finns lösa skruvar eller böjda eller skadade delar.
- Steg 2.** Kontrollera att den självindragande livlinans hölje inte är förvrängt, sprucket eller skadat på annat sätt. Säkerställ att svivelögat inte är skadat eller skevt på något sätt. Säkerställ att svivelögat roterar fritt.
- Steg 3.** Livlinan skall sträckas ut helt och dras in utan tvekan och utan att det uppstår slack i livlinan.
- Steg 4.** Säkerställ att den självindragande livlinan låser sig när man drar snabbt i livlinan. Låsningen ska ske direkt, utan slirande.
- Steg 5.** Etiketterna måste sitta på plats och vara fullt läsbara (se avsnittet *Etiketter*).
- Steg 6.** Kontrollera om det finns tecken på korrosion på enheten.

- Steg 7.** Inspektera livlinan (figur 12) med avseende på hack, kinkar (12A), brustna trådar (12B), bird-caging, korrosion (12C), svetsstänk (12D), kemiska kontaktytor eller svårt slitna områden (se figur 12). För upp livlinans stötdämpare (figur 10) och inspektera ringarna med avseende på sprickor eller skador och inspektera vajern med avseende på korrosion och brustna vajersträngar. Hela livlinan måste vara helt fri från knutar. Inspektera med avseende på överdriven nedsmutsning, färgansamling och rostfläckar. Kontrollera med avseende på kemiska skador eller värmeskador som indikeras av bruna, missfärgade eller sköra områden. Kontrollera med avseende på ultravioletta skador som visas genom missfärgning och förekomsten av stickor och flisor på livlinans yta.
- Steg 8.** Utför ett dragtest för hand för att kontrollera att Ultra-Lok RSQ självindragande livlina fungerar korrekt i nedstigningsläge:
- A. Ta tag i livlinans vajer och dra stadigt och snabbt för att aktivera systemet.
- B. Fortsätt med att dra ut ca. 1 m vajer medan den självindragande livlinan är omställd i nedstigningsläge (se avsnittet *Välja fallstoppsläge/nedstigningsläge*). Det ska gå att dra vajern snabbt och enkelt tills nedstigningsläget kopplas in och därefter ska det vara mycket svårare att dra vajern.
- Steg 9.** Inspektera anslutnings- eller karbinhakar med avseende på tecken på skador, korrosion och korrekt arbetsskick.
- Steg 10.** Inspektera varje systemkomponent eller undersystem enligt förknippade tillverkarens anvisningar.
- Steg 11.** Anteckna inspektionsresultaten i avsnittet för periodiska kontroller och reparationshistorik i de *allmänna anvisningarna för användning och underhåll (5902392)* eller använd den självindragande livlinans i-Safe™ RFID-märke (figur 10) och i-Safe™-skanner för att registrera information i den webbaserade portalen.

DEFEKTER: Om ett defekt tillstånd upptäcks under inspektion eller användning ska den självindragande livlinan tas ur bruk och därefter ska ett auktoriserat servicecenter kontaktas för reparation.

VIKTIGT: Endast Capital Safety eller annan skriftligt auktoriserad part får utföra reparationer på denna utrustning.

UNDERHÅLL OCH SERVICE: Riktlinjerna för underhåll och service av Ultra-Lok RSQ självindragande livlina är följande:

- Rengör den självindragande livlinans utsida regelbundet med vatten och en mild tvällösning. Placera den självindragande livlinan så att överskottsvatten kan rinna av. Rengör etiketter när det är nödvändigt.
- Rengör livlinan med en vatten och mild tvällösning. Skölj och låt lufttorka grundligt. Snabbtorka inte med hjälp av värme. En stor ansamling smuts, färg osv. kan förhindra att livlinan dras in helt och orsaka potentiell fara vid fritt fall. Byt ut livlinan om överdriven ansamling har skett.

VARNING: Om livlinan kommer i kontakt med syror ska den tas ur bruk och tvättas med vatten och mild tvällösning. Inspektera enheten innan den åter tas i bruk.

- Byte av livlina och andra underhålls- och serviceprocedurer måste utföras av ett auktoriserat servicecenter. Auktorisering och ett returnummer måste utfärdas av DBI-SALA. Smörj inga delar. Montera inte isär den självindragande livlinan.

FÖRVARING: Förvara Ultra-Lok RSQ självindragande livlina i en ren, torr miljö. Undvik platser där det kan finnas kemiska ångor. Stapla inga föremål ovanpå den självindragande livlinan. Inspektera den självindragande livlinan ingående efter långvarig förvaring. Rengör och förvara kroppsstöd och förknippade systemkomponenter enligt tillverkarens anvisningar.

SPECIFIKATIONER: Figur 1 innehåller fysiska mått och materialbeskrivningar. Driftsegenskaperna är följande:

- *Arbetslängd:* 15 m
- *Nödreserv:* Utöver arbetslängden finns det en nödreserv på 61 cm.
- *Maximal stoppkraft:* 6 kN
- *Maximalt stoppavstånd:* 2 m
- *Kapacitet:* 34 - 141 kg

JOHDANTO: Nämä ohjeet kuvaavat Ultra-Lok RSQ -itsekelautuvan turvaköyden (SRL) asennusta ja käyttöä. Niitä tulee käyttää osana työntekijäkoulutusohjelmaa CE:n vaatimusten mukaisesti.

TÄRKEÄÄ: Ennen tämän laitteen käyttöä kirjaa ylös sen tuotetunnistetiedot asennus- ja huoltomerkinnästä laitetunnistussivulta, joka löytyy osan "Yleisohjeet käytöstä ja kunnossapidosta" (5902392) takasivulta.



YLEISET SANASTOVIITTEIDEN SELITYKSET: Tämän käyttöoppaan etukannessa olevat valkoiset sanastoviiteruudut viittaavat 'Sanaston' kohtiin osassa " Yleisohjeet käytöstä ja kunnossapidosta " (5902392).

KOULUTUS: Varusteen käyttäjien vastuulla on ymmärtää nämä ohjeet ja perehtyä varusteen oikeaan asennukseen, käyttöön ja kunnossapitoon. Käyttäjien tulee ymmärtää tämän laitteiston väärästä asennuksesta tai käytöstä koituvat seuraukset. Tämä käyttöopas ei korvaa koulutusohjelmaa. Koulutusta tulee antaa säännöllisin väliajoin käyttäjien pätevyyden varmistamiseksi.

KUVAUS: Ultra-Lok RSQ SRL (kuva 1) tarjoaa sekä putoamisenesto- että pelastuskyvyt. Kaksitoiminen valintanappi sallii käyttäjän valita putoamisenestön avustettua pelastusta varten tai omatoimiseen pelastautumiseen, jossa käyttäjä lasketaan maantasolle tai alemmalle tasolle. Ultra-Lok RSQ SRL:n saatavana olevat mallit on määritetty taulukoissa 1 ja 2.

Taulukko 1 -Ultra-Lok RsSQ Kontrolloitu askeutumisen SRL:n MallitMalli

Mallin numero ¹	Toiminta-alue	Turvaköysityyppi	Hakamalli ¹	Koko (P x L x K)	Paino
3504553	15 m	Galvanoitu vajjeriköysi	9502194	29,69 cm x 23,19 cm x 15,09 cm	8,8 kg
3504554	15 m	Ruostumattomat teräsvajjeriköydet	9502194	29,69 cm x 23,19 cm x 15,09 cm	8,8 kg
3504555	15 m	Ruostumattomat teräsvajjeriköydet	2100044	29,69 cm x 23,19 cm x 15,09 cm	8,8 kg

¹ Katso hakatiedot taulukosta 2.

Taulukko 2 - Hakatiedot

Hakamalli	Materiaali	Kuvaus
9502194	Seosteräs	Itselukittuva kääntyvä karbiinihaka osoittimella, 16 kN lukitusosa.
2100044	Ruostumaton teräs	Itselukittuva kääntyvä karbiinihaka osoittimella, 16 kN lukitusosa.

TARKOITUS: Ultra-Lok RSQ SRL on suunniteltu putoamisenestoon ja laskeutumiseen:

- **Putoamisen estäminen:** Ultra-Lok RSQ SRL:t ovat henkilökohtaisten putoamisenestojärjestelmien (PFAS) komponentteja putoamisvaaratilanteita varten. PFAS:t sisältävät yleensä kokovartalovaljaat, ankkurikiinnikkeen (esim. karabiini) ja SRL:n. SRL:iä käytetään tilanteissa, joissa työntekijän liikkuvuus ja putoamisenesto on tarpeen (tarkastukset, yleinen rakennustyö, kunnossapito, öljyntuotanto, ahtaat tilat jne.)
- **Alas laskeutuminen:** Ultra-Lok RSQ SRL:t sallivat työntekijän laskeutua alas turvallisesti pelastautumistarkoituksissa. Hätälaskeutumisjärjestelmä sisältää yleensä kokovartalovaljaat, ankkurikiinnikkeen ja SRL:n.

RAJOITUKSET: Tämän laitteen asennusta ja käyttöä koskevat seuraavat rajoitukset:

- **Korroosio:** Näitä laitteita ei saa jättää pitkäksi aikaa ympäristöön, jossa metalliosat voivat päästä syöpymään orgaanisista materiaaleista erittyvien höyryjen vuoksi. Jäteveden tai lannoitusaineiden läheisyydessä on noudatettava varovaisuutta, koska ne sisältävät suuria pitoisuuksia erittäin syövyttävää ammoniakkia. Varusteen käyttö lähellä merivettä tai muuta korroosiota aiheuttavaa ympäristöä voi tihentää tarkastus- tai huoltotarvetta, jotta voidaan olla varmoja siitä, ettei korroosio vaikuta tuotteen tehoon.
- **Kemikaalivaarat:** Happoja tai muita kaustisia kemikaaleja sisältävät liuokset voivat vahingoittaa DBI-SALA-SRL:iä, etenkin korkeissa lämpötiloissa. Tällaisten kemikaalien läheisyydessä työskennellessä koko turvatalja tulee tarkastaa säännöllisin väliajoin. Turvavajjerin kemialliset vauriot ovat vaikeita huomata, minkä vuoksi vajjeri on syytä vaihtaa aika ajoin turvallisuuden takaamiseksi. Turvavajjerin saa vaihtaa ainoastaan valtuutettu huoltopiste. Käännä DBI-SALA:n puoleen, mikäli epäilet tämän laitteen käytön sopivuutta kemikaalivaaratekijöiden läheisyydessä.
- **Kuumuus:** Tätä laitteistoa ei ole suunniteltu käytettäväksi äärimmäisen kuumissa olosuhteissa. Suojaa laitteisto, kun sitä käytetään lähellä hitsaustyötä, metallin leikkausta tai muuta vastaavaa toimintaa. Kipinät voivat polttaa tai vahingoittaa näitä laitteita. Ota yhteyttä DBI-SALA:an saadaksesi tietoja tämän laitteen käytöstä erityisen kuumissa ympäristöissä.
- **Sähköiset vaaratekijät:** Kaapeliturvaköysien kohdalla on olemassa mahdollisuus, että sähkö virtaa turvaköyttä pitkin. Toimi varoen tilanteissa, joissa turvaköysi voi joutua kontaktiin korkeajännitelinjojen kanssa.
- **Kapasiteetti:** Tämä itsekelautuva turvaköysi on suunniteltu sellaisten henkilöiden käyttöön, joiden kokonaispaino (vaatteet, työkalut, jne.) on vähintään 34 kg ja korkeintaan 141 kg. Vain yksi henkilö saa olla liitettynä samaan aikaan.
- **Lukitusnopeus:** Vältä tilanteita, joissa esteetön putoaminen ei ole mahdollista. Ahtaissa tai liikkumatilaa rajoittavissa tiloissa työskentely ei ehkä salli riittävää nopeutta, jotta itsekelautuva turvaköysi lukittuisi putoamisen aikana. Hiekan tai viljan kaltaisten hitaasti liikkuvien materiaalien päällä työskentely ei ehkä salli riittävää nopeutta

itsekelautuvan turvaköyden lukittumiseksi. Samanlainen tilanne voi syntyä tasakatoilla, joilla työntekijä saattaa liukua pikemminkin kuin pudota. Itselukkiutuvat turvaköydet vaativat lukkiutuakseen esteettömän väylän.

- **Putoamisen energia-arvo ja putoamisen maksimiarvot:** Itsekelautuvan turvaköyden putoamisen energia-arvo, suurin sallittu pudotusetaisyys ja suurin sallittu pudotusnopeus ovat seuraavat:

Putoamisen energia-arvo=	Suurin sallittu paino x suurin sallittu pituus x putoamisten määrä 141 kg x 15 m x 1 = 2 115 m·kg
Suurin sallittu putoamisetäisyys=	15 m
Suurin sallittu putoamisnopeus=	1,8 m/s

- **Putoamisnopeus:** Kun itsekelautuva turvaköysi on putoamistilassa, keskimääräinen putoamisnopeus, jolla käyttäjä lasketaan maahan, on 0.6 m/s.
- **Vaakasuuntaiset järjestelmät:** Kun itsekelautuvaa turvaköyttä käytetään yhdessä vaakasuuntaisen järjestelmän kanssa (esim. vaakasuuntaiset I-palkit ja tangot), turvataljan ja vaakasuuntaisen järjestelmän osien tulee olla yhteensopivia. Vaakasuuntaiset järjestelmät tulee suunnitella ja asentaa teknisen asiantuntijan valvonnassa.
- **Tukirakenteet:** Kun itsekelautuvaa turvaköyttä käytetään tukirakenteen (ts. kolmijalka, taavettipuomi) kanssa, varmista tukirakenteen yhteensopivuus itsekelautuvan turvaköyden liitoksen, käytön, vakauden ja vahvuuden kanssa.

JÄRJESTELMÄN SUUNNITTELU: Suunnittele putoamisenestojärjestelmäsi ja sen käyttö ennen töiden aloittamista. Ota huomioon kaikki tekijät, jotka vaikuttavat turvallisuuteen ennen putoamista, sen aikana ja sen jälkeen. Huomioi seuraava asia suunnitellessasi järjestelmäsi:

- **Tuki:** Kuva 2 esittää hyväksyttävät tukitavat itsekelautuvan turvaköyden kanssa. Valitse jäykkä tukipiste, joka pystyy kannattamaan 10 kN kuorman. Käytä ainoastaan yhteensopivia liitäntöjä tukiin, jotka täyttävät EN795:n vaatimukset. Liitä ainoastaan yläpuolella olevaan tukeen. Älä työskentele tukipisteen yläpuolella (katso kuva 3).
- **Heilahtavat putoamiset:** Putoamisen aikana voi tapahtua keinumisliikettä, jos kiinnityspiste ei ole suoraan putoamiskohdan yläpuolella (kuva 4). Iskeytyminen esteeseen heilahtavassa putoamisessa voi aiheuttaa vakavan vamman tai kuoleman. Minimoi heilahdusputoamisriski työskentelemällä mahdollisimman lähellä kiinnityspistettä. Älä salli heilahtavaa putoamista, jos se voi aiheuttaa vamman.
- **Putoamisreitti ja laskeutumisen varoetäisyys:** Sinun putoamisreitisi tulee olla esteetön. Laskeutumisalueen tulee olla vapaa esteistä ja sallia käyttäjän turvallisen laskeutumisen (katso kuva 5. Jos lähtö- ja laskeutumisalueet eivät ole vapaita esteistä, seurauksena voi olla vakava tapaturma tai kuolema.
- **Järjestelmän pituus:** varmista, että järjestelmän pituus on riittävä halutun tason saavuttamiseksi. Jos vaijeriköysi on liian lyhyt, pudotus päättyy ennen kuin haluttu taso saavutetaan, mikä jättää työntekijän roikkumaan turvaköyden varassa.
- **Pudotuksen jälkeen:** Pudotuksen pysäytykselle altistettu kalusto tulee poistaa käytöstä tarkastusta varten (katso *Tarkastus*).

KÄYTTÖ: *Ultra-Lok RSQ SR:n käyttötoimet ovat seuraavat:*

VAROITUS: *Ennen jokaista käyttökertaa tarkasta huolellisesti Ultra-Lok SRL tarkastus-osassa kuvattujen vaiheiden mukaisesti.*

- A. **Kehon tuki:** Käytettäessä DBI-SALA -itsekelautuvia turvaköysiä tulee käyttää kokovartalovaljaita. Yleisessä putoamisenestokäytössä kytke takana sijaitsevaan D-renkaaseen. Tikapuita kiipeämisen kaltaisiin tilanteisiin kiinnitä valjaiden etupuolelle. Tämä on hyväksyttävää edellyttäen, että potentiaalinen vapaapudotus on hyvin lyhyt ja että jalansija on helposti saatavissa takaisin.
- B. **Liitäntöjen teko:** Koukkua tai karbiinihaka käytettäessä tulee varmistaa, ettei se pääse avautumaan. Älä käytä koukkua tai karbiinia, joka ei täydellisesti sulkeudu kiinnityspisteen tai kiinnitinliittimen yli (katso kuva 2). Noudata valmistajan ohjeita, jotka on toimitettu kunkin järjestelmäkomponentin mukana. Liitä itsekelautuva turvaköysi sopivaan kiinnityskohtaan tai kiinnitysliittimeen (kuva 2).

Kuva 6 esittelee liitäntää kokovartalovaljaisiin. Kytke turvaköyden (6A) päässä sijaitseva itselukittuva karbiinihaka täysvartalovaljaiden (6B) pudotuksenestokiinnitykseen. Varmista, että liittimet ovat yhteensopivia kooltaan, muodoltaan ja lujuudeltaan. Varmista, että karbiinihaka on lujasti kiinni ja lukittuna.

- C. **Pudotuksenesto-/laskeutumistilan valinta:** Ultra-Lok RSQ SRL:t on varustettu kytkinnupilla (kuva 7) kytkemään itsekelautuva turvaköysi laskeutumistilaan (7A) tai pudotuksenestotilaan (7B). Valitaksesi pudotuksenesto- tai laskeutumistilan:

1. Vedä kytkinnuppia (7C) ulospäin.
2. Käännä kytkinnuppia, kunnes nupin päässä oleva nuoli osoittaa laskeutumistilan (7D) valintapykälää tai pudotuksenestotilan (7E) valintapykälää, ja kytkinnoppi napsahtaa paikalleen valintapykälään.

TÄRKEÄÄ: *Ultra-Lok RSQ SRL:t on suunniteltu vain hätäkäyttöön ja niitä tulee käyttää ainoastaan yhteen laskeutumiseen pystysuunnassa. Jos itsekelautuvaa turvaköyttä käytetään laskeutumaan, poista se välittömästi käytöstä ja tarkasta se tämän oppaan tarkastusosan mukaisesti.*

- D. Putoamisen estäminen:** Ollessaan kiinnitettynä itsekelautuvaan turvaköyteen työntekijä saa kulkea suositeltujen työskentelyalueiden sisällä normaalilla vauhdilla. Turvaköyden tulee liikkua pehmeästi ja takellelematta ulos ja sisään. Jos turvaköysi on normaalikäytössä löysällä, laite tulee palauttaa DBI-SALA:lle huollettavaksi. Putoamistapauksessa turvaköysi lukittuu ja pysäyttää putoamisen. Pelastustoimen jälkeen turvaköysi tulee poistaa käytöstä. Suorita tarkastus *tarkastus*-osassa kuvatulla tavalla. Kun työskentelet turvaköyttä käyttäen, anna turvaköyden ponnahtaa takaisin laitteeseen valvonnan alla. Lyhyt pidätysköysi voi olla tarpeen turvaköyden vetämiseksi ulos tai palauttamiseksi liitännän ja irrottamisen aikana. Jos turvaköyttä pidetään täysin ulosvedettynä pitkiä aikoja, palautusjousi voi heikentyä ennenaikaisesti.
- E. Avustettu pelastus:** Hätätilanteissa Ultra-Lok RSQ SRL:ää voidaan käyttää suorittamaan avustettu pelastus ja laskemaan onnettomuuden uhri turvaan. Pelastaja voi kytkeä pudotuksenestotilan pois päältä ja pysäyttää laskeutumisen kytkinnupin vetorengaasta (kuva 8) tai valinnaisen jatkovapautustyökalan avulla (kuva 9):

- **Kytkinnupin vetorengas:** Kytkeäksesi putoamisenestotilan pois päältä ja aloittaaksesi laskeutumisen tartu vetorengaasta ja vedä kytkinnuppi kokonaan ulos (8A). Pysäyttääksesi laskeutumisen päästä irti vetorengaasta palataksesi putoamisenestotilaan (8B). Kytkeäksesi laskeutumistilan täysin päälle, niin että laskeutuminen jatkuu ilman vetorengaasta vetämistä, käännä kytkinnuppia vastanpäivään (8C), kunnes nupin päässä oleva nuoli osoittaa laskeutumisvalintapykälää (katso kuva 7A).

HUOMAA: Tarvitaan 0,36 kN - 0,45 kN vetovoima vapauttamaan kytkinnuppi pudotuksenestotilasta.

- **Jatkovapautustyökalu:** Aseta jatkovapautustyökalu mistä tahansa suunnasta niin, että vapautushaarukoiden päät ympäröivät kytkinnupin tyven (9A) karhennetun reunan ja vetorengaan (9A) alapuolella. Kytkeäksesi pudotuksenestotilan pois päältä ja aloittaaksesi laskeutumisen vedä jatkotankoa eteenpäin, kunnes kytkinnuppi on täysin kiinni vapautushaarukoiden (9B) välissä. Laskeutuminen jatkuu niin kauan kuin kytkinnuppi on asetettuna täysin vapautushaarukoiden välissä. Pysäyttääksesi laskeutumisen vedä jatkotankoa taaksepäin, kunnes kytkinnuppi kytkeytyy uudelleen laskeutumistilaan (9C).

TÄRKEÄÄ: Jatkovapautustyökalan vapautushaarukat on kavennettu työntämään kytkinnuppia suoraan ulos, kun haarukoita työnnetään eteenpäin nupissa. Nuppia ei tarvitse kammata jatkotangolla. Kampeaminen voi rikkoa nupin.

TARKASTUSVÄLI: Turvallisen ja tehokkaan käytön varmistamiseksi Ultra-Lok RSQ SRL tulisi tarkastaa seuraavin välein:

- **Ennen jokaista käyttöä:** Tarkasta itsekelautuva turvaköysi silmämääräisesti seuraavassa osassa määritettyjen *tarkastus*-vaiheiden mukaisesti.
- **Vuosittain:** Itsekelautuva turvaköysi ja sen kiinnitys rakenteeseen tulee tarkastaa virallisesti vähintään kerran vuodessa muun pätevän henkilön kuin käyttäjän toimesta. Virallisten tarkastusten määrän on pohjaututtava tuotteen käyttö- ja altistusolosuhteisiin. Katso seuraavasta osasta *tarkastusvaiheet*. Kirjaa ylös tarkastustulokset *määräaikaiseen tarkastus- ja korjauskertomukseen* osassa "käytön ja kunnossapidon yleisohjeet" (5902392), tai käytä SRL:n i-Safe™ RFID-merkintää (kuva 10) ja i-Safe™ -lukulaitetta kirjaamaan tiedot verkkopohjaiseen portaaliin.

TÄRKEÄÄ: Äärimmäiset työolosuhteet (vaativat ympäristöt, pitkäaikainen käyttö, jne.) voivat vaatia tarkastusten suorittamista useammin.

- **Putoamisen estämisen jälkeen:** Jos Ultra-Lok RSQ SRL on altistunut putoamisenesto- tai iskuvoimille, se tulisi poistaa käytöstä tarkastaa osien *Iskuvoiman ilmaisimen tarkastus* ja *Tarkastusvaiheet* mukaisesti.

ISKUVOIMAN ILMAISIMEN TARKASTUS: Ultra-Lok RSQ SRL on varustettu iskuvoiman ilmaisimella turvaköyden karbiinissa (katso kuva 11). Tarkasta karbiini esiin tulleen punaisen nauhan varalta (11A). Jos punainen nauha ei ole altistunut, karbiini on normaalitilassa (11B). Jos punainen nauha on altistunut, karbiini on osoitetussa tilassa (11C), mikä tarkoittaa että iskuvoima on kohdistunut siihen. Itsekelautuva turvaköysi tulisi poistaa käytöstä tarkastusta varten. ÄLÄ yritä nollata iskuvoiman osoitinta. Palauta sen valtuutettuun huoltokeskukseen nollausta varten.

TARKASTUSVAIHEET: *Tarkastusvälit*-kohdassa määritettyjen välien mukaisesti tarkasta itsekelautuva turvaköysi seuraavasti:

- Vaihe 1.** Tarkasta löystyneiden ruuvien ja taipuneiden tai vaurioituneiden osien varalta.
- Vaihe 2.** Tarkasta itsekelautuva turvaköyden kotelo vääntymien, halkeamien tai muiden vaurioiden varalta. Varmista, ettei leikari ole vahingoittunut tai vääntynyt millään tavalla. Varmista, että leikari kääntyy vapaasti.
- Vaihe 3.** Turvavaijerin tulee liikkua täysin esteettä tai löystymättä ulos ja sisään.
- Vaihe 4.** Varmista, että itsekelautuva turvaköysi lukkiutuu, kun köydestä nykäistään nopeasti. Lukituksen tulee olla positiivinen eikä saa luistaa.
- Vaihe 5.** Merkintöjen tulee olla tallella ja täysin luettavissa (katso *Merkkilaput*)
- Vaihe 6.** Tarkasta koko laite korroosion varalta.
- Vaihe 7.** Tarkasta turvaköysi (kuva 12) viiltojen, kiertymien (12A), katkenneiden säikeiden (12B), sykkyyroiden, korroosion (12C), hitsausroiskeiden (12D), kemikaalivahinkojen tai vakavien hankaumien (katso kuva 12). Liu'uta turvaköyden puskuri (kuva 10) ylös ja tarkasta holkit halkeamien tai vaurioiden varalta ja tarkasta, ettei köydessä näy syöpymistä tai katkenneita säikeitä. Turvaköydessä ei saa olla solmuja missään kohdassa. Tarkasta liiallisen likaantumisen, maalikiertymien ja ruostetahrojen varalta. Tarkasta, ettei materiaalissa näy kemikaalien tai kuumuuden aiheuttamia vaurioita, jotka ilmenevät ruskeina, värjäytyneinä tai hauraina alueina. Tarkasta, ettei materiaalin pinnassa ole ultraviolettisäteiden aiheuttamia vaurioita, tikkuja eikä lastuja.

- Vaihe 8.** Suorita käsivetotesti vahvistaaksesi Ultra-Lok RSQ SRL:n oikean toiminnan laskeutumistilassa:
- A. Tartu turvaköyteen vedä lujaa ja nopeasti aktivoiaksesi järjestelmän.
 - B. Jatka kaapelin vetämistä noin 1 m matkalta samalla kytkien SRL:n laskeutumistilaan (katso *Putoamisenesto-/laskeutumistilan valinta*). Kaapelin tulisi tulla ulos nopeasti ja helposti, kunnes laskeutumistila kytkeytyy; tässä vaiheessa kaapelia pitäisi olla paljon vaikeampi vetää.

Vaihe 9. Tarkasta, että liitäntäkoukut ja karbiinit toimivat kunnolla ja ettei niissä ole vaurioita tai syöpyneitä kohtia.

Vaihe 10. Tarkasta jokainen järjestelmän komponentti tai alijärjestelmä sen valmistajan ohjeiden mukaisesti.

Vaihe 11. Kirjaa ylös tarkastustulokset määräaikaiseen tarkastus- ja korjauskertomukseen osassa ”*käytön ja kunnossapidon yleisohjeet*” (5902392), tai käytä SRL:n i-Safe™ RFID-merkintää (kuva 10) ja i-Safe™ -lukulaitetta kirjaamaan tiedot verkkopohjaiseen portaaliin.

VIAT: Jos tarkastuksen tai käytön aikana havaitaan vikatila, poista Ultra-Lok RSQ SRL käytöstä ja ota yhteys valtuutettuun huoltokeskukseen korjauksia varten.

TÄRKEÄÄ: Vain Capital Safety tai sen kirjallisesti valtuuttama osapuoli saa korjata tätä laitetta.

KUNNOSSAPITO JA HUOLTO: Ultra-Lok RSQ SR:n kunnossapito- ja huolto-ohjeet ovat seuraavat:

- Puhdista aika ajoin turvaköyden ulkopuoliset osat vedellä ja miedolla pesuaineella. Aseta turvaköysi niin, että liika vesi valuu siitä pois. Puhdista merkintätarrat tarpeen mukaan.
- Puhdista turvaköysi miedolla saippualla ja vedellä. Huuhtele ja anna kuivua kokonaan. Älä kuivaa lämmöllä. Liiallinen lian, maalin tai muiden saasteiden kertyminen saattaa aiheuttaa sen, ettei köysi pääse täydellisesti kelautumaan sisään, aiheuttaen vapaan putoamisen riskin. Vaihda turvaköysi uuteen, jos liikaa on kertynyt liikaa.

VAROITUS: Jos turvaköysi joutuu kosketuksiin happojen kanssa, se tulee ottaa pois käytöstä ja pestä vedellä ja miedolla saippualliuksella. Tarkasta laite ennen sen ottamista uudelleen käyttöön.

- Turvaköyden vaihto ja lisähuolto ja kunnossapito tulee antaa valtuutetun huoltopalvelun toimeksi. Valtuutus ja palautusnumero tulee saada DBI-SALA:lta. Älä voitele mitään osia. Älä pura turvaköyttä osiin.

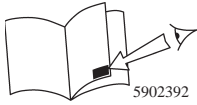
SÄILYTYS: Säilytä Ultra-Lok RSQ SRL:ää puhtaassa ja kuivassa ympäristössä. Vältä alueita, joissa voi esiintyä kemiallisia höyryjä. Älä kasaa esineitä turvaköyden päälle. Tarkasta turvaköysi huolellisesti pitkän säilytysajan jälkeen. Puhdista ja säilytä kehon tuki ja siihen liittyvät järjestelmäosat valmistajan ohjeiden mukaisesti.

TEKNISET TIEDOT: Katso fyysiset mitat ja materiaalit kuvasta 1. Käyttöominaisuudet ovat seuraavat:

- *Toiminta-alue:* 15 m
- *Hätävara:* Toiminta-alueen lisäksi hätävarana on 61 cm.
- *Suurin sallittu pysäytysvoima:* 6 kN
- *Suurin sallittu pysäytysmatka:* 2 m
- *Kapasiteetti:* 34 kg -141 kg

FOROVER: Denne instruksjonen beskriver installasjon og bruk av Ultra-Lok RSQ selvreturerende livlinje (SRL). Den skal brukes som del av et opplæringsprogram for ansatte, som pålagt av CE.

VIKTIG: Før utstyret tas i bruk må informasjon om produktidentifikasjon registreres. Informasjonen finnes på Installasjons- og Service-etiketten på Utstyrsidentifikasjonsarket på baksiden av "Generell instruksjon for bruk og vedlikehold" (5902392).



GENERELLE ORDLISTEHENVI SNINGSRUBRIKKER: Hvite ordlistehenvvisningsrubrikker på forsiden av denne instruksjonsvisningen 'Ordlste' i "Generell instruksjon for bruk og vedlikehold" (5902392).

OPPLÆRING: Det er brukeren av utstyret sitt ansvar å forstå disse instruksjonene og være opplært til å installere, bruke og vedlikeholde utstyret. Brukeren må være klar over konsekvensene av feil installasjon eller bruk av utstyret. Denne brukermanualen er ikke en erstatning for et opplæringsprogram. Opplæring må gis på periodisk basis for å sikre at brukerens kunnskaper vedlikeholdes.

BESKRIVELSE: Ultra-Lok RSQ SRL (Fig. 1) gir både stansing av fall og redningskapasitet. Et velgerhjul med dobbeltmodus gjør det mulig for brukeren å velge mellom å stanse et fall for assistert redning, eller selvredning, som senker brukeren til bakken eller til et lavere nivå. Tilgjengelige modeller av Ultra-Lok RSQ SRL er beskrevet i Tabell 1 og Tabell 2.

Tabell 1 - Ultra-Lok RrSQ Kontrollert Nedstigning SRLr ModellerModell

Modellnummer ¹	Arbeidsrekkevidde	Type livlinje	Krokmodell ¹	Størrelse (L x B x H)	Vekt
3504553	15 m	Galvanisert ståltau	9502194	29,69 cm x 23,19 cm x 15,09 cm	8,8 kg
3504554	15 m	Rustfritt ståltau	9502194	29,69 cm x 23,19 cm x 15,09 cm	8,8 kg
3504555	15 m	Rustfritt ståltau	2100044	29,69 cm x 23,19 cm x 15,09 cm	8,8 kg

¹ Se Tabell 2 for krokinformasjon.

Tabell 2 - Krokinformasjon

Krokmodell	Materiale	BESKRIVELSE
9502194	Stållegering	Selvlåsende dreibar snepert-krok med indikator, 16 kN port
2100044	Rustfritt stål	Selvlåsende dreibar snepert-krok med indikator, 16 kN port

FORMÅL: Ultra-Lok RSQ SRL er konstruert for å stanse fall og nedstigning:

- **Stansing av fall:** Ultra-Lok RSQ SRLs er komponenter i et personlig stansing av fall-system (PFAS) på steder hvor det finnes risiko for fall. PFAS består vanligvis av en hel kroppssele, en forankringskobling (for eksempel karabin) og SRL. SRLs brukes i situasjoner der brukerens mobilitet og fallbeskyttelse er nødvendig (inspeksjon, generell konstruksjon, vedlikehold, oljeproduksjon, trange steder og lignende).
- **Nedstigning:** Ultra-Lok RSQ SRLs gjør det mulig for brukeren å bevege seg ned i sikkerhet i en selvredningssituasjon. Systemet for nedstigningsredning inneholder vanligvis en hel kroppssele, en forankringskobling og SRL.

BEGRENSNINGER: Installasjon og bruk av utstyret har følgende begrensninger:

- **Korrosjon:** Ikke oppbevar utstyret i lange perioder på steder hvor korrosjon av metalldele kan skje som følge av avdampning fra organiske materialer. Vis forsiktighet under arbeid i kloakk eller gjødsel med høy konsentrasjon av ammoniakk, som er meget korroderende. Bruk i nærheten av saltvann eller andre korroderende miljøer kan nødvendiggjøre hyppigere inspeksjon eller vedlikehold for å sikre at korrosjon ikke påvirker produktets ytelser og egenskaper.
- **Kjemiske farer:** Oppløsninger som inneholder syrer eller kaustiske kjemikalier, spesielt ved høye temperaturer, kan skade DBI-SALA SRLer. Når det arbeides med slike kjemikalier må hyppige inspeksjoner av hele SRL gjennomføres. Kjemisk skade på en livlinje er vanskelig å oppdage og det anbefales at selve linen skiftes periodisk for å ivareta sikkerheten. Livlinjen må skiftes av autorisert servicetekniker. Kontakt DBI-SALA dersom du er i tvil om bruken av utstyret i nærheten av kjemiske stoffer.
- **Varme:** Utstyret er ikke laget for bruk på steder med høye temperaturer. Sørg for å beskytte utstyret når det brukes i nærheten av sveising, metallskjæring eller lignende aktiviteter. Varme gnister kan brenne eller skade utstyret. Kontakt DBI-SALA for detaljer om bruk av utstyret på steder med høye temperaturer.
- **Elektriske farer:** Med livlinjer av metall er det mulighet for at elektrisk strøm kan gå gjennom livlinjen. Vis forsiktighet dersom livlinjen kan få kontakt med høyspentkabler.
- **Kapasitet:** SRL er utformet for bruk av personer med en kombinert vekt (klær, verktøy etc.) på minimum 34 kg og maksimum 141 kg. Kun en person kan være tilkoblet utstyret ad gangen.
- **Låsehastighet:** Situasjoner som ikke muliggjør et fall uten hindringer må unngås. Arbeid på trange steder kan føre til at fallhastigheten ikke blir stor nok til at SRL låses ved et fall. Arbeid i materialer med lav bevegelighet, som sand eller korn, vil kanskje ikke tillate tilstrekkelig hastighet til at SRL låser seg. En tilsvarende situasjon kan oppstå på et tak med liten helning, der brukeren vil gli i stedet for å falle. En uhindret bane er nødvendig for å sikre positiv låsing av SRL.

- **Nominell nedstigningsenergi & nedstigningsmaksimum:** Nominell nedstigningsenergi, maksimum nedstigningsdistanse og maksimum nedstigningsforhold for SRL er som følger:

Nominell nedstigningsenergi =	Maks. vekt x Maks. høyde x Antall nedstigninger 141 kg x 15 m x 1 = 2,115 m-kg
Maks. nedstigningsdistanse =	15 m
Maks. nedstigningsforhold =	1,8 m/s

- **Nedstigningshastighet:** Når SRL er innstilt for nedstigning vil gjennomsnittlig nedstigningshastighet som en person senkes mot bakken med være 0,6 m/s.
- **Horisontale systemer:** I anvendelser der SRL brukes i forbindelse med et horisontalt system (dvs. en horisontal I-bjelke, vogner), må SRL og komponentene i det horisontale systemet være kompatible. Horisontale systemer må være konstruert og installert under overvåking av en kvalifisert ingeniør.
- **Støttestrukturer:** Når SRL brukes med en støttestruktur (dvs. tripod, lastebom e. l.), påse at støttestrukturen er kompatibel med tilkoblingen, driften, stabiliteten og styrken til SRL.

SYSTEMPLANLEGGING: Planlegg fallbeskyttelsessystemet og hvordan det vil bli brukt før du begynner arbeidet. Vurder de faktorene som vil kunne påvirke din sikkerhet før, under og etter et fall. Ta med følgende i vurderingen når du planlegger ditt system:

- **Forankring:** Fig. 2 illustrerer akseptable forankringsmetoder for SRL. Velg et solid forankringspunkt som vil tåle en belastning på 10 kN. Foreta kun kompatible tilkoblinger til forankringen i henhold til EN795. Foreta tilkobling kun til en overhengende forankring. Ikke arbeid over forankringen (se Fig. 3).
- **Svingfall:** Svingfall kan oppstå når forankringspunktet ikke er direkte over punktet hvor et fall skjer (se Fig. 4). Å treffe en gjenstand i et svingfall kan føre til alvorlig personskade eller død. Reduser mulighetene for et svingfall til et minimum ved å arbeide så nær forankringspunktet som mulig. Ikke tillat muligheten for svingfall dersom det erfare for at det kan oppstå skade.
- **Nedsenkingsbane og ryddig landingsplass:** Din nedstigningsbane må være uten hindringer. Landingsplassen må være uten hindringer for å sørge for en trygg landing (se Fig. 5). Å ikke sørge for en nedsenkingsbane og landingsplass uten hindringer kan føre til alvorlig skade eller død.
- **Systemlengde:** Sørg for at systemlengden er lang nok til å nå det ønskede nivået. Hvis linen er for kort vil nedstigningen stoppe før ønsket nivå og brukeren vil bli hengende i luften.
- **Etter et fall:** Utstyr som har vært utsatt for belastningen ved å stanse et fall må tas ut av bruk og inspiseres (se *Inspeksjon*).

BRUK GENERELL PROSEDYRE FOR BRUK AV ULTRA-LOK RSQ SRL ER SOM FØLGER:

ADVARSEL: Før hver bruk må Ultra-Lok RSQ SRL inspiseres nøye i henhold til inspeksjonstrinnene som er beskrevet i seksjonen *Inspeksjon*.

- A. **Kroppsstøtte:** Når DBI-SALA SRL brukes må det benyttes en full kroppsssele. For generell fallbeskyttelse; bruk D-ringen på ryggen som tilkoblingspunkt. For situasjoner som klatring i stige; bruk tilkoblingen på forsiden av selen. Dette er akseptabelt forutsatt at den frie fallhøyden er meget kort, og at fotfeste enkelt kan gjenvinnes.
- B. **Tilkobling:** Når det benyttes krok eller karabin som tilkobling, påse at utrulling ikke kan finne sted. Ikke bruk en krok eller karabin som ikke fullt ut vil lukke seg over holderen på forankringen eller forankringskoblingen (se Fig. 2). Følg produsentenes instruksjoner som følger med hver enkelt systemkomponent. Kobl SRL til en passende forankring eller forankringskobling (Fig. 2).

Fig. 6 illustrerer forbindelsen til en full kroppsssele. Forbind den selvlåsende snepertkroken på enden av livslinjen (6A) til koblingen for stansing av fall på kroppsselen (6B). Påse at koblingen er kompatibel hva gjelder størrelse, form og styrke. Påse at snepertkroken er forsvarlig lukket og låst.

- C. **Valg av Stansing av fall / Nedstigningsmodus:** Ultra-Lok RSQ SRLs er utstyrt med et Velgerhjul (Fig. 7) for å velge mellom SRL i Nedstigningsmodus (7A) eller Stansing av fall-modus (7B). For å velge Stansing av fall eller Nedstigningsmodus:
 1. Trekk Velgerhjulet (7C) utover.
 2. Drei Velgerhjulet inntil pilen på oversiden av hjulet peker mot Velgertappen for Nedstigningsmodus (7D) eller Stansing av fall-modus (7E) og Velgerhjulet klikker på plass ved den aktuelle velgertappen.

VIKTIG! Ultra-Lok RSQ SRLs er kun konstruert for nødbruk og kan bare brukes for én enkelt vertikal nedstigning. Hvis SRL er brukt for en nedstigning ta den øyeblikkelig ut av bruk og inspiser i henhold til seksjonen *Inspeksjon* i denne manualen.

- D. Stansing av fall:** Når brukeren er koblet til SRL kan vedkommende bevege seg fritt innen det anbefalte arbeidsrområdet og i normale hastigheter. Livlinjen skal slippes ut mykt og trekke seg tilbake uten nøling. Dersom det oppstår en slakk i linen ved normal bruk må enheten tas ut av bruk og returneres til DBI-SALA for service. Dersom et fall skulle finne sted vil SRL låses og stanse fallet. Etter at brukeren er reddet må SRL tas ut av bruk. Inspiser som beskrevet i seksjonen *Inspeksjon*. Når du arbeider med SRL skal livlinjen returnere inn i utstyret under kontroll. Det kan være nødvendig å trekke ut en kort del av linen under oppkobling og frigjøring. Å la livlinjen være fullt uttrukket over lang tid vil kunne føre til at returkjæren svekkes.
- E. Assistert redning:** I en nødsituasjon kan Ultra-Lok RSQ SRL brukes til å gjennomføre en assistert redning slik at vedkommende som trenger hjelp kan senkes i sikkerhet. Redningspersonalet kan frigjøre mekanismen for å stanse fall og starte og stanse nedstigning med Velgerhjulets trekkring (Fig. 8) eller med et forlenget frigjøringsverktøy (Fig. 9) som kan leveres på bestilling:

- **Velgerhjulets trekkring:** For å frigjøre stansing av fall og starte en nedstigning, ta tak i trekkringen og trekk Velgerhjulet rett ut (8A). For å stoppe nedstigningen frigjøres trekkringen slik at Stansing av fall reaktiveres (8B). For fullt ut å aktivere Nedstigningsmodus slik at nedstigningen fortsetter uten å benytte Trekkringen, dreii Velgerhjulet mot klokken (8C) inntil pilen på hjulets overflate peker til velgertappen for nedstigning (se Fig. 7A).

NB: 0.36 kN - 0.45 kN trekraft er nødvendig for å frigjøre Velgerhjulet fra modus Stansing av fall.

- **Utløserverktøy med forlenget stang:** Sett inn Utløserverktøyet med forlenget stang fra valgfri retning slik at tennene på utløsergaffelen omgir basen på Velgerhjulet under den riflede kanten og Trekkringen (9A). For å koble vekk Stopping av fall og begynne nedstigning, skyv forlengerstangen fremover inntil Velgerhjulet er i fullt inngrep med utløsergaffelen (9B). Nedstigning vil fortsette så lenge Velgerhjulet fullt ut er inne i utløsergaffelen. For å stoppe nedstigningen trekkes forlengerstangen bakover inntil Velgerhjulet er tilbake i Nedstigningsmodus (9C).

VIKTIG! Utløsergaffelen på utløserverktøyet forlengerstang er konisk for å kunne skyve Velgerhjulet rett ut når gaffelen presses fremover mot hjulet. Det er ikke nødvendig å brette på hjulet med forlengerstangen. Brekking kan føre til at hjulet brytes av.

INSPEKSJONSFREKVENS: For å sikre trygg og effektiv drift skal Ultra-Lok RSQ SRL inspiseres ved følgende intervaller:

- **Før hver bruk:** Inspiser SRL visuelt i henhold til trinnene i *Inspeksjon* som er beskrevet i neste seksjon.
- **Årlig:** En formell inspeksjon av SRL og dens tilkoblinger til strukturen må gjennomføres minst en gang i året av en kompetent person som er en annen enn brukeren. Frekvensen på de formelle inspeksjonene må baseres på forholdene utstyret brukes under og eksponering. Se neste seksjon *Inspeksjonstrinn. Trinn 11*. Noter inspeksjonsresultatet i Periodisk eksaminasjons- og reparasjonshistorie i "Generelle instruksjoner for bruk og vedlikehold" (5902392), eller bruk SRLs i-Safe™ RFID Tag (Fig. 10) og i-Safe™ leser for å registrere informasjonen på den nettbaserte portalen.

VIKTIG: Ekstreme arbeidsforhold (barskt klima/miljø, langvarig bruk, etc.) kan nødvendiggjøre økt inspeksjonsfrekvens.

- **Etter et fall:** Hvis Ultra-Lok RSQ SRL har stanset et fall eller vært utsatt for andre belastninger må den tas ut av bruk og inspiseres i henhold til seksjonene *Inspeksjon av belastningsindikator* og *Inspeksjonstrinn*.

INSPEKSJON AV BELASTNINGSINDIKATOR: Ultra-Lok RSQ SRL er utstyrt med en belastningsindikator på livlinje (se Fig. 11). Inspiser krokene og se etter et synlig rødt bånd (11A). Hvis det røde båndet ikke synes er krokens status normal (11B). Hvis det røde båndet synes er krokene i Indikerende modus (11C), som viser at en belastning har funnet sted. SRL må tas ut av bruk for inspeksjon. IKKE gjør forsøk på å sette Belastningsindikatoren tilbake. Send utstyret til et autorisert servicesenter for nullstilling.

INSPEKSJONSTRINN: I henhold til intervallene som er definert i *Inspeksjonsfrekvens* skal SRL inspiseres på følgende måte:

- Trinn 1.** Se etter løse skruer og bøyd eller skadede deler.
- Trinn 2.** Inspiser SRL-huset for skjevheter, sprekker eller andre skader. Påse at svingøyet ikke er skadet eller vridd. Påse at svingøyet dreier fritt.
- Trinn 3.** Livlinjen må kunne trekkes ut i full lengde og gå tilbake uten nøling eller at det oppstår en slakk linetilstand.
- Trinn 4.** Påse at SRL låses når det trekkes brått i livlinjen. Låsingen må være positiv, uten glipping.
- Trinn 5.** Alle etikettene må være på plass og fullt ut lesbare (se *Merking*)
- Trinn 6.** Se etter tegn til korrosjon på hele enheten.
- Trinn 7.** Inspiser livlinjen (Fig. 12) for kutt, knekk, (12A), wiretråder som er røket (12B), fuglede, korrosjon (12C), sveiseslagg (12D), kjemiske kontaktområder, områder som er svært slitt (se Fig. 12). Skyv opp livlinjens støtinnretning (Fig. 10) og inspiser ferrulene for sprekker eller skader og inspiser wirekabelen for korrosjon og se etter wiretråder som har røket. Livlinjen må være fri for knuter i hele dens lengde. Inspiser for overdrevne mengder skitt, oppbygning av maling og rustflekker. Se etter skader fra kjemikalier og varme som vises i form av brun farge, misfarging eller sprøe områder. Se etter ultrafiolette skader som vises i form av misfarging, spon og fliser på overflaten av livlinjen.

- Trinn 8.** Gjennomfør en håndtrekktest for å verifisere at Ultra-Lok RSQ SRL virker tilfredsstillende i Nedstigningsmodus:
- C. Ta tak i livlinjekabelen og trekk hardt og raskt for å aktivere systemet.
 - D. Fortsett å trekke ut ca. 1 meter kabel mens SRL er i Nedstigningsmodus (se *Valg av Stansing av fall / Nedstigningsmodus*). Kabelen skal være lett å trekke ut inntil Nedstigningsmodus kobles inn, hvoretter det blir mye tyngre å trekke ut kabel.
- Trinn 9.** Inspiser koblingskrok eller karabinkrok. Se etter tegn til skade, korrosjon og at alt virker tilfredsstillende.
- Trinn 10.** Inspiser hver systemkomponent eller undersystem i henhold til produsentens instruksjoner.
- Trinn 11.** Noter inspeksjonsresultatet i Periodisk eksaminasjon- og reparasjonshistorie i *“Generelle instruksjoner for bruk og vedlikehold” (5902392)*, eller bruk SRLs i-Safe™ RFID Tag (Fig. 10) og i-Safe™ leser for å registrere informasjonen på den nettbaserte portalen.

MANGLER: Dersom inspeksjonen eller bruken avdekker mangler, ta Ultra-Lok RSQ SRL ut av bruk og kontakt et autorisert servicesenter for reparasjon.

VIKTIG! BARE CAPITAL SAFETY, ELLER VIRKSOMHETER MED SKRIFTLIG GODKJENNELSE KAN REPARERE DETTE UTSTYRET.

VEDLIKEHOLD OG SERVICE: Retningslinjer for vedlikehold og service av Ultra-Lok RSQ SRL er som følger:

- Rengjør eksteriøret til SRL periodisk med vann og en mild såpeopløsning. Plasser SRL slik at vannet kan renne ut. Rengjør etiketter når det er nødvendig.
- Rengjør livlinjen med vann og en mild såpeopløsning. Skyll og lufttørk fullstendig. Ikke bruk varme for å tørke livlinjen. Overdreven oppsamling av skitt, maling etc kan føre til at livlinjen ikke trekker seg fullstendig tilbake, noe som kan føre til faren som følger med et potensielt fritt fall. Skift ut livlinjen dersom det er overdreven oppbygning.

ADVARSEL DERSOM LIVLINJEN KOMMER I KONTAKT MED SYRER, TA ENHETEN UT AV BRUK OG VASK DEN MED VANN OG EN MILD SÅPEOPLØSNING. INSPISER ENHETEN FØR DEN SETTES TILBAKE I DRIFT.

- Livlinje-utskifting og ytterligere vedlikehold og servicearbeider må utføres ved et autorisert servicesenter. Autorisasjon og returnnummer må utstedes av DBI-SALA. Ikke smør noen del. Ikke demonter SRL.

LAGRING: Oppbevar Ultra-Lok RSQ SRL på et rent og tørt sted. Unngå områder der det kan finnes gasser fra kjemikalier. Ikke legg noe på SRL. Gjennomfør en fullstendig inspeksjon av SRL etter langvarig lagring. Rengjør og oppbevar kroppsstøttemidler og tilhørende systemkomponenter i samsvar med produsentenes instruksjoner.

SPESIFIKASJONER: Se Fig. 1 for fysiske dimensjoner og materialer . Brukskarakteristikker er som følger:

- *Arbeidsrekkevidde:* 15 m
- *Nødreserve:* I tillegg til arbeidsrekkevidden er det 61 cm nødreserve.
- *Maksimum stoppekrefte:* 6 kN
- *Maksimum stoppedistanse:* 2 m
- *Kapasitet:* 34 kg-141 kg

FORSIDE: Denne vejledning beskriver installation og brug af Ultra-Lok RSQ selvopruddende livlinje (SRL). Den bør bruges som del af et medarbejdertræningsprogram som påkrævet af CE.

DA

VIKTIGT: Inden udstyret tages i brug, noter produktidentifikationsinformationen fra Installations- og servicemærkaten på på arket for udstyrsidentifikation bagest i denne vejledning (5902392).



GENERELLE HENVISNINGSFELTER TIL ORDLISTE: Hvis henvisningsfelter til ordlisteforan på denne anvisnings omslag henviser til 'ordlisteemner' "Generelle instruktioner for brug og vedligeholdelse" (5902392).

UNDERVISNING: Brugere af dette udstyr er ansvarlige for, at disse anvisninger er forstået, og at de er uddannet i korrekt installation, brug og vedligeholdelse af dette udstyr. Brugere skal være klar over konsekvenserne ved forkert installation eller brug af udstyret. Denne brugsvejledning kan ikke bruges i stedet for et uddannelsesprogram. Brugere skal uddannes med jævne mellemrum for at sikre, at de har tilstrækkelige færdigheder.

BESKRIVELSE: Ultra-Lok RSQ SRL (Figur 1) indeholder både faldsikrings- og redningsfunktioner. Et vælgerhjul for Dual-tilstand gør det muligt for brugeren at vælge mellem faldsikring for assisteret undsætning, hvilket sænker brugeren ned til jorden eller et lavere niveau. De tilgængelige Ultra-Lok RSQ SRL modeller er anført i Tabel 1 og Tabel 2.

Tabel 1 - Ultra-Lok RSQ SRL-modeller til kontrolleret nedstigning

Modelnummer ¹	Arbejdslængde	Linvinetype	Krogmodel ¹	Størrelse (L x B x H)	Vægt
3504553	15 m	Galvaniseret stål kabel	9502194	29,69 cm x 23,19 cm x 15,09 cm	8,8 kg
3504554	15 m	Rustrift stål kabel	9502194	29,69 cm x 23,19 cm x 15,09 cm	8,8 kg
3504555	15 m	Rustrift stål kabel	2100044	29,69 cm x 23,19 cm x 15,09 cm	8,8 kg

¹ See Table 2 for hook information.

Tabel 2 - Kroginformation

Krogmodel	Materiale	Beskrivelse
9502194	Stållegering	Selvlåsende drejelig snapkrog med indikator, 16 kN Gate
2100044	Rustfrit stål	Selvlåsende drejelig snapkrog med indikator, 16 kN Gate

FORMÅL: Ultra-Lok RSQ SRL er udviklet til faldsikring og nedstigning:

- **Faldsikring:** Ultra-Lok RSQ SRL'er er komponenter i personligt faldsikringsudstyr (PFAS) hvor der findes faldrisici. PFAS inkluderer typisk en helkrops faldsele, en forankringskonnektor (dvs. karabinhage) og SRL'en (selvopruddende livline). SRL'er anvendes i situationer hvor der er behov for mobilitet og faldsikring af arbejderne (inspektionsarbejde, alment konstruktionsarbejde, vedligeholdelsesarbejde, olieproduktion, arbejde i indsnævrede rum etc.).
- **Nedstigning:** Ultra-Lok RSQ SRL'er gør det muligt for arbejderne at foretage hurtig nedstigning i forbindelse med selvredningsopgaver. Redningssystemet til nedstigning inkluderer normalt en helkrops faldsele, en forankringskonnektor (dvs. karabinhage) og SRL'en.

BEGRÆNSNINGER: Installation og brug af udstyret er underlagt følgende begrænsninger:

- **Korrosion:** Efterlad ikke udstyret i længere tid i miljøer, hvor der kan forekomme korrosion af metaldele som resultat af dampe fra organiske materialer. Vær forsigtig ved arbejde nær spildevand eller gødningssubstans pga. den høje koncentration af ammoniak, som er yderst korroderende. Anvendelse i nærheden af saltvand eller andre korrosive miljøer kan kræve hyppigere inspektioner eller serviceeftersyn for at sikre, at korrosionsbeskadigelse ikke påvirker produktets virkemåde.
- **Kemiske faremomenter:** Blandinger, der indeholder syre eller kaustiske kemikalier kan, især ved høje temperaturer, beskadige DBI-SALA SRL'er. Ved arbejde med sådanne kemikalier skal der foretages hyppigere inspektioner af hele SRL'en. Kemikalieskader på livlinjen er vanskelige at opfange. Det anbefales for at garantere sikkerhed derfor, at livlinjen udskiftes regelmæssigt. Livlinjen må kun udskiftes af et autoriseret servicecenter. Kontakt DBI-SALA hvis du er i tvivl om, hvordan dette udstyr skal anvendes i nærheden af kemiske faremomenter.
- **Varme:** Dette udstyr er ikke beregnet til anvendelse i miljøer med høje temperaturer. Sørg for at udstyret beskyttes ved anvendelse nær svejsning, metalskæring, eller lignende aktiviteter. Varme gnister kan brænde eller beskadige udstyret. Kontakt DBI-SALA for vejledning om anvendelse af dette udstyr i miljøer med høje temperaturer.
- **Elektriske farer:** Der er risiko for, at der ledes elektrisk strøm igennem livlinjer af stål. Vær forsigtig de steder, hvor livlinjen kan komme i kontakt med højspændingsledninger.
- **Kapacitet:** Dette udstyr må kun anvendes af personer, der har en kombineret vægt (person, beklædning, værktøj osv.) på højst 141 kg. Der må kun være forbundet én person ad gangen.

- **Låsningshastighed:** Situationer, som ikke muliggør en uhindret faldvej, bør undgås. Arbejde i meget snævre eller trange områder vil muligvis ikke give tilstrækkelig hastighed til at SRL'en låser i tilfælde af fald. Arbejde på langsomt rykkende materiale (såsom sand eller korn) giver muligvis ikke tilstrækkelig hastighed til at SRL'en låser. Der kan opstå en lignende situation på lave skråtag, hvor en arbejder eventuelt glider i stedet for at falde. En uhindret vej er påkrævet for at sikre garanteret låsning af SRL'en.
- **Energiværdi ved nedstigning og maksimumer for nedstigning :** Energiværdien ved nedstigning, den maksimale nedstigningsafstand og maksimale nedstigningshastighed

Energiværdi ved nedstigning =	Maks. vægt x Maks. højde x antal nedstigninger 141 kg x 15 m x 1 = 2,115 m·kg
Maks. nedstigningsafstand =	15 m
Maks. nedstigningshastighed =	1,8 m/s

- **Nedstigningshastighed:** Når SRL'en er i nedstigningstilstand er den gennemsnitlige nedstigningshastighed være 0,6 m/s.
- **Horizontale systemer:** Ved anvendelser, hvor en SRL anvendes sammen med et horisontalt system (dvs. horisontale I-bjælker og trolley), skal SRL'en og horisontale systemkomponenter være kompatible. Horisontale systemer skal være konstrueret til og installeret under opsyn af en kvalificeret ingeniør.
- **Støttestrukturer :** Ved anvendelse af en SRL skal det sikres, at den understøttende struktur (dvs. trefod , davit-arm) er kompatibel med SRL'ens forbindelse, funktion, stabilitet og styrke.

SYSTEMPLANLÆGNING: Planlæg dit faldsikringsystem og hvordan det skal anvendes, inden du starter dit arbejde. Overvej faktorer, der påvirker din sikkerhed, inden, under og efter et fald. Inkluder følgende overvejelser, når du planlægger dit system:

- **Forankring:** Figur 2 viser de acceptable forankringsmetoder for SRL'en. Vælg et fast forankringspunkt, som kan understøtte mindst 10 kN. Foretag kun kompatible forbindelser til forankringer, der er i overensstemmelse med EN795. Foretag kun tilslutning til en ophængt forankring. Undlad at arbejde over forankringen (se Figur 3).
- **Svingfald:** Svingfald sker, når forankringspunktet ikke befinder sig umiddelbart over det punkt, hvor faldet sker (se Figur 4). Den kraft, der udøves når et emne rammes i et svingfald, kan forårsage alvorlig personskade eller død. Risikoen for svingfald kan mindskes ved at arbejde så tæt på forankringspunktet som muligt. Tillad ikke muligheden for svingfald, hvis det kan medføre tilskadekomst.
- **Nedstigningsrute og landingsafstand:** Din nedstigningsrute skal holdes fri for hindringer. Landingsområdet skal holdes fri for hindringer for at give brugeren en sikker landing (se Figur 5). Undladelse af at sørge for en uhindret nedstigningsrute og landingsområde kan medføre alvorlige skader eller død.
- **Systemlængde:** Sørg for at systemlængden er tilstrækkelig til at nå det ønskede niveau. Hvis stålkablet er for kort, stoppes nedstigningen, før det ønskede niveau er nået, hvorved arbejderen hænger i den strakte livlinje.
- **Efter et fald:** Udstyr, som er blevet udsat for kraftpåvirkninger som fra standsning af fald, skal tages ud af service og inspiceres (se *Inspektion*).

DRIFT: Generelle procedurer for brug af *Ultra-Lok RSQ SRL'en* er som følger:

ADVARSEL: Før hver brug skal *Ultra-Lok RSQ SRL'en* inspiceres grundigt i henhold til de anførte trin i afsnittet *Inspektion*.

- A Kropsstøtte:** Når du anvender DBI-SALA SRL'er, skal du anvende en helkrops faldsele. Til generel faldsikring forbindes den til D-ringen Til situationer såsom klatren på stiger, forbindes den til selens forende. Dette er acceptabelt såfremt det mulige frie fald er meget kort og det er nemt at få fodfæste igen.
- B. Oprettelse af forbindelser:** Ved brug af en krog eller karabinhage skal du sørge for at lave en forbindelse, således at linen ikke kan rulle ud. Brug en krog eller karabinhage, som ikke vil lukke helt omkring forankringen eller forankringskonnektoren (se Figur 2). Følg altid de instruktioner, som fabrikanten har leveret med hver systemkomponent. Forbind SRL'en til en egnet forankring (Figur 2).
- Figur 6 viser forbindelse til helkrops faldselen. Forbind den selvlåsende snapkrog på enden af livlinjen (6A) med faldsikringsfastgørelsen på helkrops faldselen (6B). Sørg for, at alle forbindelser er kompatible med hensyn til størrelse, form og styrke. Sørg for at snapkrogen er lukket og fastlåst.
- C. Valg mellem faldsikring og nedstigning:** Ultra-Lok RSQ SRL'er forsynet med et vælgerhjul (Figur 7) som aktiverer SRL'en til Nedstigningsafstand (7A) eller Faldsikringsafstand (7B). Sådan vælges faldsikrings- eller nedstigningstilstand:
1. Træk vælgerhjulet (7C) udad.
 2. Drej vælgerhjulet, indtil pilen på hjulet peger mod valgstiften for Nedstigningstilstand (7D) eller Faldsikringstilstand (7E) og aktiveringsgrebet klikke på plads med valgstiften.

VIGTIGT: *Ultra-Lok RSQ SRL'er* er udelukkende designet til brug i nødtilfælde og må kun anvendes til én enkelt vertikal nedstigning. Hvis SRL'en anvendes til nedstigning skal den øjeblikkeligt tages ud af service og inspiceres i henhold til inspektionsafsnittet i denne vejledning.

- D. Faldsikring:** Når først arbejderen er fastgjort, kan denne frit bevæge sig omkring inden for det anbefalede arbejdsområde ved normal hastighed. Livlinjen skal kunne trækkes ud og trækkes tilbage uden tøven. Hvis en situation opstår, hvor linen bliver slap under normal brug, skal enheden returneres til DBI-SALA for service. Hvis der skulle forekomme et fald, vil SRL'en låse og stoppe faldet. Efter redning skal SRL'en tages ud af brug. Inspicer den som anført i afsnittet *Inspektion*. Under arbejde med en SRL skal livlinjen altid rulle tilbage i anordningen under kontrol. Det kan være nødvendigt med en kort holde-wire for at kunne trække livlinjen ud eller trække den tilbage under forbindelse og frakobling. Hvis livlinjen får lov til at være helt udtrukket gennem længere tid, kan det forårsage for tidlig svækkelse af hentningsfjederen.
- E. Assisteret undsætning:** I nødsituationer kan Ultra-Lok RSQ SRL anvendes til at udføre en assisteret redning og sænke den nødstedte i sikkerhed. Redderen kan deaktivere Faldsikringstilstand og starte og stoppe nedstigningen med Aktiveringsgrebets pull-ring (Figur 8) eller et valgfrit udløserværktøj på en forlængerstang (Figur 9):

- **Aktiveringsgrebets pull-ring:** For at deaktivere faldsikringstilstand og aktivere nedstigning skal du tage fat i pull-ringen og trække aktiveringsgrebet lige ud (8A). Nedstigningen stoppes ved at slippe pull-ringen, hvorved faldsikringstilstanden genaktiveres (8B). For at deaktivere nedstigningstilstanden helt, således at nedstigningen fortsættes uden at trække i pull-ringen, skal aktiveringsgrebet trækkes med uret (8C), indtil mærket på grebet peget mod rillen for nedstigningsvalg (se Figur 7A).

NB: Der kræves 0,36 kN - 0,45 kN trækraft for at udløse aktiveringsgrebet fra Faldsikringstilstand.

- **Udløserværktøj på forlængerstang:** Indsæt Udløserværktøjet på forlængerstang fra en vilkårlig retning, således at enderne på udløsergaflerne omgiver aktiveringsgrebet under den riflede kant og pull-ringen (9A) For at deaktivere Faldsikringstilstand og igangsætte nedstigningen skal der skubbes fremad på forlængerstangen, indtil aktiveringsgrebet er sidder helt fast mellem udløsergaflerne (9B). Nedstigningen fortsætter så længe vælgerhjulet sidder mellem udløsergaflerne. Nedstigningen stoppes ved at trække forlængerstangen bagud, indtil valghjulet genaktiveres i nedstigningstilstand (9C).

VIGTIGT: Udløsergaflerne på udløserværktøj på forlængerstang er koniske for at skubbe vælgerhjulet lige ud, i takt med at gaflerne skubbes fremad på vælgerhjulet. Det er ikke nødvendigt at trække vælgerhjulet bagud med forlængerstangen. Hvis man brækker hjulet bagud, risikerer man, at det brækker af.

INSPEKTIONSHYPPIGHED: For at sikre sikker, korrekt funktion, bør Ultra-Lok RSQ SRL'en blive eftersat i overensstemmelse med følgende intervaller:

- **Før hver ibrugtagning:** Inspicer SRL'en visuelt iht. *Inspektionstrinnene*, som er angivet i næste afsnit.
- **Årligt:** Der skal foretages en formel inspektion af SRL'en og dens forbindelse mindst en gang om året af en anden kompetent person end brugeren. Hyppigheden af formelle inspektioner bør baseres på brugs- og eksponeringsforhold. Se næste afsnit for *Inspektionstrin*. Noter resultaterne i *Periodisk eftersyns- og reparationshistorie* i "Generelle anvisninger for brug og vedligeholdelse" (5902392), eller brug SRL'ens i-Safe™ RFID mærkning (Figur 10) og i-Safe™ læseenhed til at registrere oplysningerne på den webbaserede portal.

VIGTIGT: Ekstreme arbejdsforhold (barsk miljø, langvarig brug osv.) kan gøre det nødvendigt at øge inspektionshyppigheden.

- **Faldsikring:** Hvis Ultra-Lok RSQ SRL'en er blevet udsat for kraftpåvirkninger som fra standsning af fald, skal den tages ud af brug og efterses i overensstemmelse med afsnittene *Eftersyn af belastningsindikator* og *Inspektionstrin*.

EFTERSYN AF BELASTNINGSIKATOR: Ultra-Lok RSQ SRL'en er forsynet med en belastningsindikator på livlinjekrogen (se Figur 11). Inspicer krogen for et eksponeret rødt bånd (11A). Hvis det røde bånd ikke er eksponeret, er krogen i normal tilstand (11B). Hvis det røde bånd er eksponeret er krogen i indikeret tilstand (11C), hvilket angiver, at anordningen har været udsat for fuld belastning. SRL'en skal tages ud af service og inspiceres. Forsøg IKKE på at nulstille belastningsindikatoren. Få den nulstillet hos et autoriseret servicecenter.

INSPEKTIONSTRIN: Inspicer SRL'en som følger iht. de anførte intervaller under *Inspektionshyppighed*:

- Trin 1.** Efterse anordningen for løse skruer og bøjede eller beskadigede dele
- Trin 2.** Efterse SRL'ens hus for forvridding, revner eller anden beskadigelse. Sørg for at forankringsøjet ikke er beskadiget eller forvredet på nogen måde. Sørg for at forankringsøjet drejer frit.
- Trin 3.** Livlinjen skal kunne trækkes helt ud og trækkes helt tilbage uden tøven, og uden at linen bliver slap.
- Trin 4.** Sørg for at anordningen låser, når der pludseligt trækkes hårdt i livlinjen. Låsning skal være fast uden slip.
- Trin 5.** Mærkaterne skal være til stede og helt læselige (se *Mærkning*)
- Trin 6.** Efterse hele enheden for tegn på korrosion.
- Trin 7.** Efterse livlinjen for snit, kinker (A), brudte kabler (B), sammenpressede ydre kabellag (såkaldt fuglebur) (C), korrosion, svejseprøjt (D), områder med kemikaliekontakt eller alvorligt slidte områder. (se Figur 12). Skub kabelfangeren (Figur 10) op og efterse ferruler for revner og beskadigelse, og efterse stålkalet for korrosion og ødelagte tråde. Livlinjen skal være fri for knuder i hele dens længde. Efterse for kraftig tilsmudsning, ansamlinger af maling og rustpletter. Se efter kemikalie- eller varmeskader i form af brune, misfarvede eller skrøbelige områder. Se efter skade fra ultraviolet lys i form af misfarvning og tilstedeværelse af splinter og fliser på livlinjens overflade.

- Trin 8.** Udfør en håndtrækningstest for at kontrollere, at Ultra-Lok RSQ SRL'en virker korrekt i nedstigningstilstand:
- C. Tag godt fat i livlinjekablet og træk kraftigt og hurtigt i det for at aktivere systemet.
 - D. Fortsæt med at trække ca. 1 m. kabel ud mens SRL'en aktiveres i Nedstigningstilstand (se *Valg af Faldsikrings-/nedstigningstilstand*). Kablet skal trække hurtigt og nemt indtil nedstigningstilstanden aktiveres, på hvilket tidspunkt det skal blive meget sværere at trække i kablet.
- Trin 9.** Efterse tilkoblingskroge, hvis relevant, for tegn på beskadigelse, korrosion og funktionstilstand.
- Trin 10.** Efterse alle systemkomponenter eller delsystemer jf. dertil hørende anvisninger fra fabrikanten.
- Trin 11.** Noter resultaterne i Periodisk eftersyns- og reparationshistorie i *"Generelle anvisninger for brug og vedligeholdelse"* (5902392), eller brug SRL'ens i-Safe™ RFID mærkning (Figur 10) og i-Safe™ læseenhed til at registrere oplysningerne på den webbaserede portal.

DEFEKTER: Hvis eftersynet eller brugen afslører en defekt, skal Ultra-Lok RSQ SRL'en tages ud af service og et autoriseret servicecenter kontaktes med henblik på reparation.

VIGTIGT: Kun Capital Safety eller parter, der er bemyndiget på skrift, må foretage reparationer på dette udstyr.

VEDLIGEHOLDELSE OG SERVICE: Generelle procedurer for vedligeholdelse og service af Ultra-Lok RSQ SRL'en er som følger:

- Rengør regelmæssigt SRL'ens ydre med vand og en mild sæbeopløsning. Placer SRL'en, så overskydende vand kan løbe ud. Rengør mærkaterne efter behov.
- Rengør livlinjen med vand og en mild sæbeopløsning. Skyl og lufttør grundigt. Undlad at hurtigtørre med varme. Overdreven ophobning af snavs, maling etc. kan forhindre livlinjen i at trække sig helt tilbage i huset, hvilket muligvis kan udgøre en risiko ved frit fald. Udskift livlinjen, hvis der er overdreven ophobning.

ADVARSEL: Hvis livlinjen kommer i kontakt med syrer, skal enheden tages ud af service og vaskes med vand og en mild sæbeopløsning. Efterse enheden inden den tages i brug igen.

- Udskiftning af livlinjen og yderligere vedligeholdelses- og serviceprocedurer skal foretages af et autoriseret servicecenter. DBI-SALA skal have udstedt et autorisations- og returneringsnummer. Smør ikke delene. SRL'en må ikke skilles ad.

OPBEVARING: Opbevar Ultra-Lok RSQ SRL i et rent tørt miljø. Undgå steder, hvor der kan være kemikaliedampe. Anbring ikke noget oven på SRL'en. Efterse SRL'en efter længerevarende opbevaring. Rengør og opbevar kropsstøtten og delsystemer i overensstemmelse med fabrikantens anvisninger.

SPECIFIKATIONER: Se Figur 1 for fysiske dimensioner materialer. Driftsegenskaberne er som følger:

- *Arbejdsområde:* 15 m
- *Nødhjælpsreserve:* Forduen arbejdsområdet er der 61 cm i nødreserve.
- *Maksimal standsekraft:* 6 kN
- *Maksimal standseafstand:* 2 m
- *Kapacitet:* 34 kg -141 kg

VOORWOORD: In deze instructie wordt de installatie en het gebruik van het Ultra-Lok RSQ valstopapparaat (Self Retracting Lifeline, SRL) beschreven. Het dient te worden gebruikt als onderdeel van de opleiding van werknemers zoals vereist door CE.

BELANGRIJK: Leg de productidentificatie-informatie van het installatie- en servicelabel vast op het Blad Uitrustingsidentificatie achterop de "Algemene Instructies voor Gebruik en Onderhoud" (5902392), voordat u de uitrusting gebruikt.



ALGEMENE REFERENTIEBOXEN WOORDENLIJST: De witte referentievakjes op het voorblad van dit instructieboekje verwijzen naar de 'Woordenlijst' in de Algemene gebruiks- en onderhoudsinstructies' (5902392).

OPLEIDING: Het is de verantwoordelijkheid van de gebruikers van deze uitrusting om ervoor te zorgen dat ze deze instructies begrijpen en zijn getraind in het correct installeren, gebruiken en onderhouden van deze uitrusting. Gebruikers moeten zich bewust zijn van de consequenties die een onjuiste installatie of onjuist gebruik kunnen hebben. Deze handleiding is geen vervanging voor een opleidingsprogramma. Opleiding moet regelmatig worden aangeboden om de vaardigheid van de gebruiker op peil te houden.

BESCHRIJVING: Het Ultra-Lok RSQ valstopapparaat (SRL) (afbeelding 1) fungeert zowel als valstop en als reddingssysteem. Met behulp van een selectieknop met twee standen kan de gebruiker kiezen tussen de valstopfunctie voor een geassisteerde redding of zelfredding, waarbij de gebruiker neergelaten wordt tot de grond of tot een lager niveau. De beschikbare modellen van het Ultra-Lok RSQ valstopapparaat (SRL) worden in tabel 1 en 2 weergegeven.

Tabel 1 - Ultra-Lok RSQ valstopapparaat-modellen voor gecontroleerde afdalingen

Modelnummer ¹	Werkbereik	Type reddingslijn	Haakmodel ¹	Afmeting (L x B x H)	Gewicht
3504553	15 m	Gegalvaniseerd staaldraad	9502194	29,69 cm x 23,19 cm x 15,09 cm	8,8 kg
3504554	15 m	Roestvrij staaldraad	9502194	29,69 cm x 23,19 cm x 15,09 cm	8,8 kg
3504555	15 m	Roestvrij staaldraad	2100044	29,69 cm x 23,19 cm x 15,09 cm	8,8 kg

¹ Zie tabel twee voor haakgegevens

Tabel 2 - Haakinformatie

Haakmodel	Materiaal	Beschrijving
9502194	Gelegeerd staal	Zelfborgende draaiende musketonhaak met indicator, 16 kN gate
2100044	Roestvrij staal	Zelfborgende draaiende musketonhaak met indicator, 16 kN gate

DOEL: Het Ultra-Lok RSQ valstopapparaat (SRL) is ontwikkeld voor valstop en afdaling:

- **Valstop:** Ultra-Lok RSQ valstopapparaten (SRL's) zijn componenten uit persoonlijke systemen voor valbescherming (Personal Fall Arrest Systems, PFAS) waar een risico op valgevaar bestaat. Persoonlijke systemen voor valbescherming (PFAS) omvatten meestal een volledig lichaamstuig, een verankeringsverbinding (bijv. karabiner) en het valstopapparaat (SRL). Valstopapparaten (SRL's) worden gebruikt in situaties waar mobiliteit voor de werknemer en valbescherming is vereist (inspectie-, algemene constructie, onderhoud, olieproductie, ruimtes met beperkte toegang, enz.).
- **Afdalen:** Met de Ultra-Lok RSQ valstopapparaten (SRL's) kunnen werkers tijdens een zelfredding afdalen om zichzelf in veiligheid te brengen. Deze afdaalsystemen voor redding omvatten meestal een volledig lichaamstuig, een verankeringsverbinding en het valstopapparaat (SRL).

BEPERKINGEN: De installatie en het gebruik van deze apparatuur is gebonden aan de volgende beperkingen:

- **Corrosie:** Deze apparatuur mag niet lang verblijven in een omgeving waar corrosie van metalen delen kan optreden ten gevolge van in de atmosfeer komende dampen van organische stoffen. Men dient voorzichtig te zijn bij het werken in de buurt van rioleringen of meststof met hoge concentraties ammonia waardoor corrosie op kan treden. Gebruik in de nabijheid van zeewater of andere corroderende elementen kan regelmatige inspectie of onderhoud noodzakelijk maken om te voorkomen dat het product niet goed functioneert ten gevolge van corrosie.
- **Chemische gevaren:** Oplossingen die zuren of bijtende chemicaliën bevatten, kunnen, vooral bij hogere temperaturen, schade toebrengen aan DBI-SALA valstopapparaten (SRL's). Wanneer met dergelijke chemicaliën wordt gewerkt, dient regelmatig het gehele valstopapparaat (SRL) geïnspecteerd te worden. Chemische schade aan de reddingslijn is moeilijk te detecteren en het wordt aanbevolen om de reddingslijn periodiek te vervangen uit veiligheidsoverwegingen. De reddingslijn moet door een geautoriseerd servicecentrum worden vervangen. Neem contact op met DBI-SALA als er twijfel bestaat over het gebruik van deze apparatuur in de nabijheid van risicovolle chemische omstandigheden.
- **Hitte:** Deze apparatuur is niet bedoeld om te worden ingezet in omgevingen met hoge temperaturen. Zorg voor bescherming van de apparatuur bij gebruik in de buurt van laswerkzaamheden, metaalsnijwerk of vergelijkbare activiteiten. Hete vonken kunnen brandschade veroorzaken aan de apparatuur of deze beschadigen. Neem contact op met DBI-SALA voor meer informatie over het gebruik van deze apparatuur in omgevingen met hoge temperaturen.
- **Elektrische gevaren:** Bij reddingslijnen van staaldraad kan er elektrische stroom door de reddingslijn stromen.

Men dient voorzichtig te zijn wanneer de reddingslijnen in contact met hoogspanningsleidingen kunnen komen.

- **Capaciteit:** Het valstopapparaat (SRL) is ontworpen voor gebruik door personen met een samengesteld gewicht (kleding, gereedschap, enz.) van minimaal 34 kg en maximaal 141 kg. Er mag niet meer dan één persoon tegelijkertijd bevestigd worden.
- **Blokkeersnelheid:** Situaties waarin geen onbelemmerd valpad mogelijk is, dienen te worden voorkomen. Het werken in kleine of nauwe ruimtes kan tot gevolg hebben dat er tijdens een val niet voldoende snelheid wordt bereikt om het valstopapparaat (SRL) te laten vergrendelen. Het werken op langzaam verschuivend materiaal, zoals zand of graan, kan tot gevolg hebben dat er niet voldoende snelheid wordt bereikt om het valstopapparaat (SRL) te laten vergrendelen. Een soortgelijke situatie kan optreden tijdens het werken op een hellend dak, waar een werker zou kunnen schuiven in plaats van vallen. Een vrij valpad is nodig om verzekerd te zijn van het juist blokkeren van het valstopapparaat (SRL).
- **Maximale energie bij afdaling & Afdalingsmaxima:** De maximale energie bij een afdaling, de maximale afdalingsafstand en de maximale afdalingssnelheid bedragen voor het valstopapparaat (SRL):

Maximale energie bij een afdaling =	Max. gewicht x max. hoogte x # afdalingen 141 kg x 15 m x 1 = 2115 m·kg
Max. afdalingsafstand =	15 m
Max. afdalingssnelheid =	1,8 m/s

- **Afdalingssnelheid:** Als het valstopapparaat (SRL) in de afdalingsstand staat, is de gemiddelde afdalingssnelheid waarmee de gebruiker neergelaten wordt op de grond 0,6 m/s.
- **Horizontale systemen:** In toepassingen waarbij een valstopapparaat (SRL) wordt gebruikt in combinatie met een horizontaal systeem (bijv. horizontale I-balken, trolleys), moeten het valstopapparaat (SRL) en de componenten van het horizontale systeem compatibel zijn. Horizontale systemen moeten ontworpen en geïnstalleerd zijn onder supervisie van een gekwalificeerde constructeur.
- **Ondersteuningsstructuren:** Als u een valstopapparaat (SRL) gebruikt met een ondersteuningsstructuur, moet u ervoor zorgen dat deze structuur (bijv. driepoot, giekarm) compatibel is met de verbinding, bediening, stabiliteit en sterkte van het valstopapparaat (SRL).

SYSTEEMPLANNING: Plan uw valbeschermingssysteem en hoe het zal worden gebruikt voordat u begint. Betrek daarbij alle factoren die uw veiligheid beïnvloeden voor, tijdens en na een val. Neem de volgende overweging op tijdens het plannen van uw systeem:

- **Verankering:** Afbeelding 2 geeft aanvaardbare verankeringsmethoden voor het valstopapparaat (SRL) aan. selecteer een stevig verankeringspunt dat een belasting van 10 kN kan dragen. Breng alleen compatibele verbindingen aan verankeringspunten die voldoen aan NEN-EN 795. Verbindt het systeem alleen met een bovenhoofdse verankering. Werk niet boven de verankering (zie afbeelding 3).
- **Scheef vallen:** Een scheve val ontstaat wanneer het verankeringspunt niet recht boven het punt ligt waar de val optreedt (zie afbeelding 4). De kracht waarmee tegen een voorwerp wordt gestoten in een scheve val, kan ernstig letsel of de dood veroorzaken. Zorg voor een minimale scheve val door zo veel mogelijk recht onder de verankering te werken. Vermijd scheef vallen als er letsel kan ontstaan.
- **Vrijmaken van afdalingspad en landingszone:** Uw afdalingspad moet obstakelvrij zijn. De landingszone moet volledig obstakelvrij zijn, zodat de gebruiker veilig kan landen (zie afbeelding 5). Als het afdalingspad en de landingszone niet obstakelvrij zijn, kan de gebruiker ernstig gewond geraken.
- **Systeemplengte:** Zorg ervoor dat het systeem voldoende lang is om het gewenste afdalingsniveau te bereiken. Als de staaldraad te kort is, stopt de afdaling voordat het gewenste afdalingsniveau bereikt is en blijft de werker aan zijn reddingslijn hangen.
- **Na een val:** Apparatuur die is blootgesteld aan de kracht van een valstop, moet uit dienst worden genomen voor inspectie (zie *Inspectie*).

BEDIENING: Algemene procedures voor het gebruik van het *Ultra-Lok RSQ valstopapparaat (SRL)* zijn de volgende:

WAARSCHUWING: *Inspecteer het Ultra-Lok RSQ valstopapparaat (SRL) voor ieder gebruik aan de hand van de stappen die in het onderdeel Inspectie beschreven worden.*

- Lichaamsondersteuning:** Bij het gebruik van DBI-SALA valstopapparaten (SRL's) moet een volledig lichaamstuig worden gedragen. Voor algemene valbeveiliging maakt u verbinding met de D-ring aan de achterzijde. Voor situaties als het beklimmen van een ladder maakt u verbinding met de voorkant van het tuig. Dit is aanvaardbaar mits een mogelijke vrije val bijzonder kort is en er snel voetensteun bereikt kan worden.
- Verbindingen maken:** Wanneer u een haak of karabiner gebruikt om een verbinding te maken, moet u ervoor zorgen dat uitrollen niet mogelijk is. Gebruik een haak of karabiner die volledig op de verankering of de verankeringsverbinding ligt (zie afbeelding 2). Volg de instructies van de fabrikant voor elke component van het systeem. Verbindt het valstopapparaat (SRL) met een geschikte verankering of verankeringsverbinding (afbeelding 2).

Op afbeelding 6 ziet u de verbinding met een volledig lichaamstuig. Verbindt de zelfborgende musketonhaak aan het eind van de reddingslijn (6A) aan op het valstophulpstuk van het volledige lichaamstuig (6B). Zorg ervoor dat de verbindingen qua grootte, vorm en sterkte bij elkaar passen. Controleer of de haak volledig gesloten en geborgd is.

- C. **Valstopstand/afdalingsstand selecteren:** De Ultra-Lok RSQ valstopapparaten (SRL's) zijn voorzien van een vergrendelknop (afbeelding 7) waarmee het valstopapparaat (SRL) in afdalingsstand (7A) of valstopstand (7B) gezet kan worden. De valstopstand of afdalingsstand selecteren:
1. Trek de vergrendelingsknop (7C) naar buiten.
 2. Draai de vergrendelingsknop tot de pijl op de bovenkant van de knop de inkeping voor afdalingsstand (7D) of valstopstand (7E) aanwijst en in de inkeping van de betreffende selectie klikt.

BELANGRIJK: Ultra-Lok RSQ valstopapparaten (SRL's) zijn alleen bedoeld voor gebruik in noodgevallen en mogen alleen gebruikt worden voor een enkele, verticale afdaling. Als het valstopapparaat (SRL) voor een afdaling gebruikt is, moet het uit dienst worden genomen en direct aan de hand van de stappen in de paragraaf *Inspectie geïnspecteerd* worden.

- D. **Valstop:** Wanneer een werker aangesloten is op het valstopapparaat (SRL) kan hij vrij bewegen binnen de aanbevolen werkruimte op normale snelheid. De reddingslijn moet soepel en zonder onregelmatigheid aflopen en oprollen. Indien de lijn tijdens normaal gebruik slap blijft hangen, moet de eenheid voor onderhoud worden geretourneerd naar DBI-SALA. Als er een val optreedt, vergrendelt het valstopapparaat (SRL) zich en wordt de val gebroken. Gebruik een valstopapparaat (SRL) niet meer na een redding. Inspecteer het valstopapparaat (SRL) zoals beschreven staat in de paragraaf *Inspectie*. Als u met een valstopapparaat (SRL) werkt, zorg dan dat de reddingslijn altijd gecontroleerd kan terugrollen in het apparaat. Een kort koord kan nodig zijn om de reddingslijn uit of op te rollen tijdens het verbinden of losmaken. Als u de reddingslijn gedurende langere tijd volledig uitgerold laat, kan hierdoor de terugtrekveer voortijdig verzwakken.
- E. **Geassisteerde redding:** In noodgevallen kan het Ultra-Lok RSQ valstopapparaat (SRL) gebruikt worden om een geassisteerde redding uit te voeren en het slachtoffer in veiligheid te brengen. De redder kan de valstopstand uitschakelen en de afdaling starten en stoppen met behulp van de trekkring van de vergrendelingsknop (afbeelding 8) of met een optioneel ontgrendelingshulpmiddel van de verlengstok (afbeelding 9):

- **Trekkring van de vergrendelingsknop:** Om de valstopstand uit te schakelen en de afdaling te beginnen, pakt u de trekkring vast en trekt u de vergrendelingsknop naar buiten (8A). Om de afdaling te stoppen, laat u de trekkring los waardoor de valstopstand weer geactiveerd wordt. Om de afdalingsstand volledig te activeren zodat de afdaling blijft doorgaan zonder dat er aan de trekkring getrokken hoeft te worden, draait u de vergrendelingsknop tegen de klok in (8C) totdat de pijl op de bovenkant van de knop de inkeping voor afdalingsstand aanwijst (zie afbeelding 7A).

LET OP: Er is 0,36 kN - 0,45 kN trekkracht nodig om de vergrendelingsknop voldoende uit te trekken en daarmee uit de valstopstand te halen.

- **Ontgrendelingshulpmiddel van de verlengstok:** Plaats het ontgrendelingshulpmiddel van de verlengstok zodanig dat de ontgrendelingsvork zich rondom de basis van de vergrendelingsknop bevindt, onder de gekartelde rand en de trekkring. Om de valstopstand te deactiveren en de afdaling te beginnen, drukt u de verlengstok naar voren totdat de vergrendelingsknop volledig vast zit in de vork (9B). Zolang de vergrendelingsknop volledig vast zit in de vork, blijft de afdaling doorgaan. Om de afdaling te stoppen, trekt u de verlengstok terug totdat de vergrendelingsknop weer in de valstopstand staat.

BELANGRIJK: De ontgrendelingsvork van het ontgrendelingshulpmiddel van de verlengstok is zodanig gevormd dat de vergrendelingsknop recht naar buiten wordt getrokken als u de vork naar voren duwt. U hoeft dus niet te proberen met behulp van de verlengstok de vergrendelingsknop naar buiten te wrikken. Door te wrikken kunt u de knop afbreken.

INSPECTIEFREQUENTIE: Om een veilige, efficiënte werking te garanderen, moet het Ultra-Lok RSQ valstopapparaat (SRL) op de volgende intervallen geïnspecteerd worden:

- **Vóór elk gebruik:** Voer een visuele controle uit op het valstopapparaat (SRL) aan de hand van de *Inspectiestappen* zoals die in de volgende paragraaf beschreven worden.
- **Jaarlijks:** Ten minste jaarlijks moet er een formele inspectie van het valstopapparaat (SRL) en de verbinding met de structuur worden uitgevoerd door een andere deskundige dan de gebruiker. De frequentie van formele inspecties moet gebaseerd zijn op de gebruiksomstandigheden of blootstelling. Raadpleeg de volgende paragraaf voor de *Inspectiestappen*. Noteer de resultaten van elke inspectie in de rubriek *Overzicht van periodiek onderzoek en reparaties* in de handleiding "Algemene gebruiks- en onderhoudsinstructies" (5902392) of gebruik het i-Safe™ RFID-label van het valstopapparaat (SRL) (afbeelding 10) en het i-Safe™-reader om de informatie te beheren in de online portal.

BELANGRIJK: Extreme condities (een bijzonder zware omgeving, langdurig gebruik, etc.) kan een hogere inspectiefrequentie nodig maken.

- **Na een valstop:** Als het Ultra-Lok RSQ valstopapparaat (SRL) een valstop heeft gemaakt of aan een vergelijkbare kracht heeft blootgestaan, moet het uit dienst worden genomen en geïnspecteerd worden aan de hand van de paragrafen *Impact-indicatorinspectie* en *Inspectiestappen*.

IMPACT-INDICATORINSPECTIE: Het Ultra-Lok RSQ valstopapparaat (SRL) is voorzien van een impact-indicator op de haak van de reddingslijn (zie afbeelding 11) Controleer of er een rode band zichtbaar is op de haak (11A). Als de rode band niet zichtbaar is, bevindt de haak zich in de normale modus (11B). Als de rode band zichtbaar is, bevindt de haak zich in de indicatiemodus (11C), wat betekent dat er een impactbelasting heeft plaatsgevonden. Het valstopapparaat (SRL) dient uit dienst genomen te worden voor inspectie. Probeer de impact-indicator NIET

zelf te resetten. Verzond de eenheid naar een geautoriseerd servicecentrum voor resetting.

INSPECTIESTAPPEN: Inspecteer het valstopapparaat (SRL) als volgt op de in de paragraaf *Inspectiefrequentie* aangegeven intervallen:

- Stap 1.** Inspecteer op losse schroeven en verbogen en beschadigde onderdelen.
- Stap 2.** Inspecteer de behuizing op vervorming, breuken of andere beschadigingen. Controleer of het zwenkoog op geen enkele wijze is beschadigd of vervormd. Zorg ervoor dat het zwenkoog vrij kan draaien.
- Stap 3.** Reddingslijn moet volledig afrollen en weer oprollen zonder aarzelingen of verlies van spanning op de lijn.
- Stap 4.** Controleer of het valstopapparaat (SRL) blokkeert wanneer krachtig aan de reddingslijn wordt getrokken. Het blokkeren moet duidelijk gebeuren, zonder slippen.
- Stap 5.** De labels moeten aanwezig en volledig leesbaar zijn (zie *Labeling*)
- Stap 6.** Let op sporen van corrosie op de volledige unit.
- Stap 7.** Inspecteer de reddingslijnen (afbeelding 12) op insnijding, knikken (12A), gebroken draden (12B), kooivorming, roest (12C), lasschade (12D), chemische contactoppervlakken of ernstig afgesleten gebieden (zie afbeelding 12). Schuif de reddingslijnbumper omhoog (afbeelding 10) en inspecteer draadogen op breuken of schade en inspecteer staaldraad op roest en gebroken draden. De reddingslijn moet over de gehele lengte vrij zijn van knopen. Inspecteer op overmatig vuil, verf en roestvlekken. Inspecteer op chemische of hitteschade te herkennen aan bruine, verkleurde of broze gedeeltes. Inspecteer op ultravioletschade te herkennen aan verkleuring en de aanwezigheid van splinters en losse stukjes op het oppervlak van de reddingslijn.
- Stap 8.** Voer met de hand een trektest uit om te controleren of het Ultra-Lok RSQ valstopapparaat (SRL) in afdalingsstand naar behoren werkt:
- A. Pak de reddingslijn vast en geef er een stevige ruk aan om het systeem te activeren.
 - B. Trek nog ongeveer 1 meter lijn uit terwijl u het valstopapparaat (SRL) in afdalingsstand zet (zie *Valstopstand/afdalingsstand selecteren*:). De lijn moet snel en gemakkelijk afrollen tot het moment waarop de afdalingsstand gekozen wordt. Daarna moet het aanzienlijk zwaarder worden om de lijn uit te trekken.
- Stap 9.** Inspecteer verbindingshaken of karabiners op tekenen van schade, corrosie en werkzaamheid.
- Stap 10.** Inspecteer elk systeemonderdeel of subsysteem op basis van de instructies van de fabrikant.
- Stap 11.** Noteer de resultaten van elke inspectie in de rubriek *Overzicht van periodiek onderzoek en reparaties* in de handleiding "Algemene gebruiks- en onderhoudsinstructies" (5902392) of gebruik het i-Safe™ RFID-label van het valstopapparaat (SRL) (afbeelding 10) en het i-Safe™-reader om de informatie te beheren in de online portal.

DEFECTEN: Als de inspectie of de bediening een defect aan het licht brengt, neemt u het Ultra-Lok RSQ valstopapparaat (SRL) direct uit dienst en neemt u contact op met een bevoegd servicecentrum voor reparatie.

BELANGRIJK: Alleen Capital Safety of partners die hiervoor schriftelijk zijn geautoriseerd, mogen deze apparatuur repareren.

ONDERHOUD & SERVICE: De richtlijnen voor onderhoud en service van het Ultra-Lok RSQ valstopapparaat (SRL) zijn als volgt:

- Maak de buitenkant van het valstopapparaat (SRL) regelmatig schoon met water en een milde zeepoplossing. Plaats het valstopapparaat (SRL) zo dat het water eruit wegloopt. Labels moeten schoon zijn.
- Reinig de reddingslijn met water en een milde zeepoplossing. Spoel af en droog grondig aan de lucht. Droog niet geforceerd met warmte. Overmatige vuil- en verfophoping e.d. kan ervoor zorgen dat de reddingslijn niet meer volledig oprolt, wat een mogelijk valgevaar kan vormen. Vervang de reddingslijn indien er sporen zijn van overmatige ophoping.

WAARSCHUWING: Als de reddingslijn met zuren in aanraking komt, stel de unit dan buiten dienst en was deze met een milde zeepoplossing en water. Inspecteer de unit voordat u deze weer in dienst neemt.

- Vervangen van de reddingslijn en aanvullend onderhoud en serviceprocedures moeten worden uitgevoerd door een geautoriseerd servicecentrum. Autorisatie en een retournummer moeten worden uitgegeven door DBI-SALA. Smeer geen enkel onderdeel. Demonteer het valstopapparaat (SRL) niet.

OPSLAG: Sla de Ultra-Lok RSQ SRL op in een schone, droge omgeving. Vermijd plekken waar chemische dampen kunnen voorkomen. Stapel geen voorwerpen boven op het valstopapparaat (SRL). Inspecteer het valstopapparaat (SRL) grondig na een langdurige opslag. Lichaamsondersteuning en bijbehorende systeemonderdelen moeten worden gereinigd en opslagen volgens de instructies van de fabrikant.

SPECIFICATIES: Zie afbeelding 1 voor fysieke afmetingen en materialen. Werkingskenmerken zijn als volgt:

- *Werkbereik:* 15 m
- *Noodgevallenreserve:* Naast het werkbereik is er in noodgevallen een reserve van 61 cm in beschikbaar.
- *Maximale stopkracht:* 6 kN
- *Maximale stopafstand:* 2 m
- *Capaciteit:* 34 kg -141 kg

LABELING: The following labels must be securely attached to the Ultra-Lok RSQ SRL and must be fully legible.

ÉTIQUETAGE : Les étiquettes suivantes doivent être solidement fixées sur ligne de vie autorétractable Ultra-Lok RSQ et doivent être parfaitement lisibles.

ETICHETTATURA: le etichette seguenti devono essere attaccate saldamente al Ultra-Lok RSQ SRL e devono essere chiaramente leggibili.

ETIKETTIERUNG: Die folgenden Etiketten müssen sicher am Höhensicherungsgerät befestigt und vollständig lesbar sein.

ETIQUETADO: las siguientes etiquetas deben estar pegadas firmemente a SRL RSQ Ultra-Lok y deben ser totalmente legibles.

ROTULAGEM: As seguintes etiquetas deverão estar bem coladas ao SRL Ultra-Lok RSQ e ser totalmente legíveis.

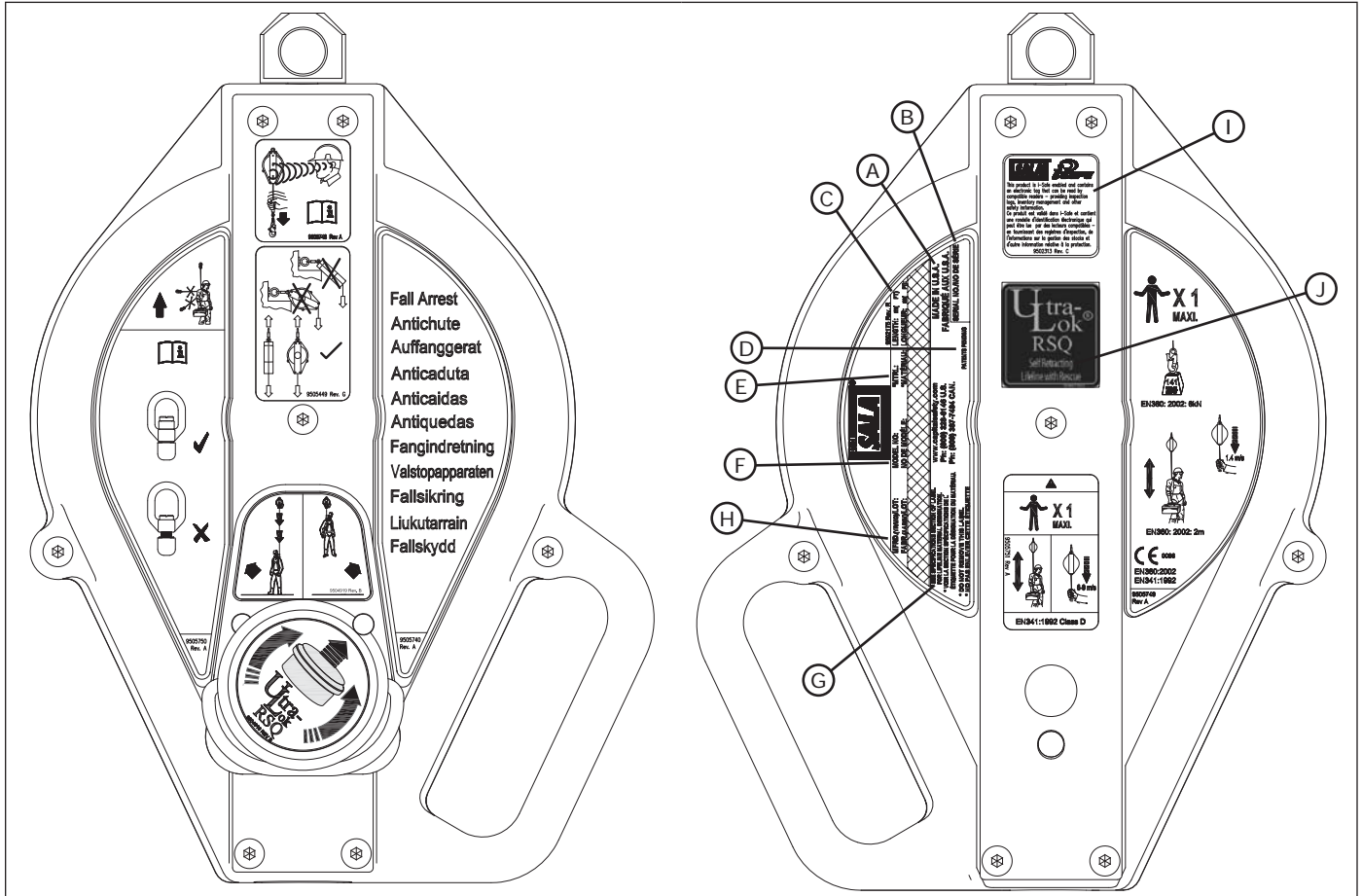
ETIKETTER: Följande etiketter måste sitta säkert fast på Ultra-Lok RSQ självindragande livlina och de måste vara helt läsbara.

MERKINNÄT: Seuraavien merkintöjen tulee olla kiinnitettynä Ultra-Lok RSQ SRL ja niiden tulee olla täysin lukukelpoisia.

MERKING: Følgende etiketter må festes godt til Ultra-Lok RSQ SRL og må være fullt ut lesbare.

MÆRKNING: Følgende mærkning skal være sat sikkert fast til Ultra-Lok RSQ SRL og skal være læselig.

LABELING: De volgende labels moeten stevig worden bevestigd op het Ultra-Lok RSQ valstopapparaat (SRL) en moeten volledig leesbaar zijn.



A	MADE IN USA
B	SERIAL NUMBER
C	LENGTH: m (FT)
D	PATENTS PENDING
E	MATERIAL
F	MODEL NUMBER
G	SEE SPECIFICATIONS SECTION OF LABEL FOR LIFELINE MATERIAL DESIGNATION.
H	MANUFACTURED: (Year/Month) LOT:
I	This product is i-Safe enabled and contains an electronic tag that can be read by compatible readers - providing inspection logs, inventory management and other safety information.
J	Self Retracting Lifeline with Rescue
A	FABRIQUÉ AUX ÉTATS-UNIS
B	NUMÉRO DE SÉRIE
C	LONGUEUR : m (pi)

EN

FR

	D	BREVETS EN INSTANCE
	E	MATÉRIAU
	F	NUMÉRO DE MODÈLE
	G	VOIR LA SECTION CARACTÉRISTIQUES DE L'ÉTIQUETTE POUR LA DÉSIGNATION DU MATÉRIAU DE LA LIGNE DE VIE.
	H	DATE DE FABRICATION : (Année/Mois) LOT :
	I	Ce produit peut être activé i-Safe et il contient une étiquette électronique pouvant être lue par des lecteurs compatibles, à condition de fournir les historiques d'inspection, la gestion des inventaires et autres informations de sécurité.
	J	Ligne de vie autorétractable avec système de sauvetage
IT	A	PRODOTTO NEGLI STATI UNITI
	B	NUMERO DI SERIE
	C	LUNGHEZZA: m (piedi)
	D	BREVETTI IN CORSO DI REGISTRAZIONE
	E	MATERIALE
	F	NUMERO DI MODELLO
	G	FARE RIFERIMENTO ALLA SEZIONE SPECIFICHE DELL'ETICHETTA PER LA DESIGNAZIONE DEL MATERIALE DEL CAVO DI SICUREZZA.
	H	PRODUZIONE: (anno/mese) LOTTO:
	I	Questo prodotto è abilitato i-Safe e contiene un'etichetta elettronica facilmente leggibile da dispositivi di lettura compatibili al fine di fornire i verbali di collaudo, nonché istruzioni di gestione dell'inventario e altri dati di sicurezza.
	J	Cavi di sicurezza autoretrattili con salvataggio
DE	A	MADE IN USA
	B	SERIENNUMMER
	C	LÄNGE: m
	D	PATENTE ANGEMELDET
	E	MATERIAL
	F	MODELLNUMMER
	G	SIEHE ABSCHNITT SPEZIFIKATIONEN FÜR DIE ETIKETTEN ZUR MATERIALBEZEICHNUNG VON RETTUNGSSEILEN.
	H	HERGESTELLT AM: (Monat/Jahr) POSTEN:
	I	Dieses Produkt ist i-Safe-fähig und enthält ein elektronisches Tag, das von kompatiblen Lesegeräten ausgelesen werden kann. Es beinhaltet Inspektionsprotokolle, Bestandsmanagementfunktionen und andere Sicherheitsinformationen.
	J	Höhensicherungsgerät mit Rettungsfunktion
SP	A	FABRICADO EN LOS EE. UU.
	B	NÚMERO DE SERIE
	C	LONGITUD: m (pies)
	D	PATENTES EN TRÁMITE
	E	MATERIAL
	F	NÚMERO DE MODELO
	G	CONSULTE LA SECCIÓN DE ESPECIFICACIONES DE LA ETIQUETA PARA LA DESIGNACIÓN DEL MATERIAL DEL CABO SALVAVIDAS.
	H	FABRICACIÓN: (año/mes) LOTE:
	I	Este producto cuenta con la cobertura i-Safe y contiene una etiqueta electrónica que puede ser leída por lectores compatibles, lo que proporciona historiales de inspección, el control del inventario, así como otra información relativa a la seguridad.
	J	Cabo salvavidas autorretráctil con rescate
PT	A	FABRICADO NOS EUA.
	B	NÚMERO DE SÉRIE
	C	COMPRIMENTO: m (PÉS)
	D	PATENTES PENDENTES
	E	MATERIAL
	F	NÚMERO DE MODELO
	G	CONSULTAR A SECÇÃO ESPECIFICAÇÕES DA ETIQUETA PARA A DESIGNAÇÃO DO MATERIAL DA CORDA DE SEGURANÇA.
	H	FABRICADO POR: (Ano/Mês) LOTE:

I	Este produto contém a funcionalidade i-Safe, bem como uma etiqueta electrónica que pode ser lida por leitores compatíveis – apresentando historial de inspecções, gestão do inventário e outras informações de segurança.	
J	Corda de segurança auto-retráctil com dispositivo de salvamento	
A	TILLVERKAD I USA	SW
B	SERIENUMMER	
C	LÄNGD: m	
D	PATENTSÖKT	
E	MATERIAL	
F	MODELLNUMMER	
G	ETIKETTENS SPECIFIKATIONSDEL INNEHÅLLER MATERIALBESKRIVNINGEN FÖR LIVLINAN.	
H	TILLVERKAD: (år/månad) PARTI:	
I	Denna produkt är i-Safe-aktiverad och innehåller en elektronisk märkning som kan avläsas av kompatibla avläsare och tillhandahåller inspektionsloggar, inventariehantering och annan säkerhetsinformation.	
J	Självindragande livlina med räddningsfunktion	
A	VALMISTETTU USA:SSA	FI
B	SARJANUMERO	
C	PITUUS: m (FT)	
D	PATENTIT VIREILLÄ	
E	MATERIAALI	
F	MALLINUMERO	
G	KATSO TURVAKÖYDEN MATERIAALITIEDOT TARRAN TEKNISISTÄ TIEDOISTA.	
H	VALMISTETTU: (Vuosi/kuukausi) ERÄ:	
I	Tämä tuote on varustettu i-Safe-toiminnoilla ja se sisältää elektronisen lipukkeen, joka on luettavissa yhteensopivilla lukulaitteilla. Tämä mahdollistaa tarkastuslokit, varastonhallinnan ja turvallisuustietojen tarkistuksen.	
J	Itsekelautuva turvaköysi pelastuksella	
A	MADE IN USA	NO
B	SERIENUMMER	
C	LENGDE: m (FT)	
D	PATENTANMELDT	
E	MATERIELL	
F	MODELLNUMMER	
G	SE SPESIFIKASJONS-SEKSJON MED ETIKETT FOR LIVLINJENS MATERIALBESKRIVELSE	
H	PRODUSERT: (År/Måned) LOT:	
I	Dette produktet er i-Safe-aktivert og inneholder en elektronisk tag som kan leses av av en kompatibel leser - og gir inspeksjonslogger, lagerstyring og forskjellig sikkerhetsinformasjon.	
J	Selvreturerende livlinje med redning	
A	Fremstillet i USA	DA
B	SERIENUMMER	
C	LÆNGDE: m (FT)	
D	PATENTANMELDT	
E	MATERIALE	
F	MODELNUMMER:	
G	Se mærkatens specifikationssektion for livlinjematerialebetegnelse.	
H	FREMSTILLET: (År/måned) Parti:	
I	Dette produkt er i-Safe aktiveret og indeholder en elektronisk etiket, som kan aflæses af kompatible aflæsere--den giver inspektions logbøger, lagerstyrelse og anden sikkerhedsinformation.	
J	Selvoprullende livlinje med redning	
A	VERVAARDIGD IN DE VS	NL
B	SERIENUMMER	
C	LENGTE: m (FT)	
D	PATENTEN AANGEVRAAGD	
E	MATERIAAL	

F	MODELNUMMER
G	ZIE SPECIFICATIEPARAGRAAF OF LABEL VOOR BENAMING MATERIAAL REDDINGSLIJN
H	GEPRODUCEERD: (Jaar/maand) PARTIJ:
I	Voor dit product kan gebruik gemaakt worden van i-Safe. Het elektronische label van dit product kan gelezen worden met behulp van een compatibele reader die u informatie geeft over inspectielogboeken, inventarisbeheer en andere veiligheidsinformatie.
J	Valstopapparaten met reddingsoptie

<p style="text-align: center;">LIMITED LIFETIME WARRANTY</p> <p>Warranty to End User: CAPITAL SAFETY warrants to the original end user ("End User") that its products are free from defects in materials and workmanship under normal use and service. This warranty extends for the lifetime of the product from the date the product is purchased by the End User, in new and unused condition, from a CAPITAL SAFETY authorised distributor. CAPITAL SAFETY'S entire liability to End User and End User's exclusive remedy under this warranty is limited to the repair or replacement in kind of any defective product within its lifetime (as CAPITAL SAFETY in its sole discretion determines and deems appropriate). No oral or written information or advice given by CAPITAL SAFETY, its distributors, directors, officers, agents or employees shall create any different or additional warranties or in any way increase the scope of this warranty. CAPITAL SAFETY will not accept liability for defects that are the result of product abuse, misuse, alteration or modification, or for defects that are due to a failure to install, maintain, or use the product in accordance with the manufacturer's instructions. THIS WARRANTY IS THE ONLY WARRANTY APPLICABLE TO OUR PRODUCTS AND IS IN LIEU OF ALL OTHER WARRANTIES AND LIABILITIES, EXPRESSED OR IMPLIED.</p>	<p style="text-align: center;">Garantie limitée à vie</p> <p>Garantie de l'utilisateur final : CAPITAL SAFETY garantit à l'utilisateur final d'origine (« Utilisateur final ») que ses produits sont exempts de défauts de matériaux et de fabrication dans des conditions d'utilisation et d'entretien normales. Cette garantie s'étend pendant toute la durée de vie du produit à compter de la date d'achat du produit par l'utilisateur final, comme produit neuf et inutilisé, auprès d'un distributeur agréé. L'entière responsabilité de CAPITAL SAFETY envers l'utilisateur final et le recours exclusif de l'utilisateur final dans le cadre de cette garantie se limite à la réparation ou au remplacement en nature de tout produit défectueux pendant sa durée de vie (si CAPITAL SAFETY, à sa seule discrétion, le juge nécessaire). Aucune information ni aucun conseil, qu'ils soient oraux ou écrits, donnés par CAPITAL SAFETY, ses distributeurs, directeurs, responsables, agents ou employés ne créera de garanties différentes ou supplémentaires ni n'augmentera l'étendue de cette garantie. CAPITAL SAFETY n'assumera en aucun cas la responsabilité de défauts résultant d'une utilisation abusive du produit, de sa mauvaise utilisation, de son altération ou de sa modification, ou de défauts découlant du non-respect des instructions du fabricant en matière d'installation, d'entretien ou de conditions d'utilisation. CETTE GARANTIE EST LA SEULE GARANTIE APPLICABLE À NOS PRODUITS ET ELLE REMPLACE TOUTES LES AUTRES GARANTIES ET RESPONSABILITÉS EXPRIMÉES OU IMPLICITES.</p>
<p style="text-align: center;">Garanzia di durata limitata</p> <p>Garanzia dell'utente finale: CAPITAL SAFETY garantisce all'utente finale originale (di seguito "Utente finale") che i suoi prodotti sono privi di difetti dei materiali e di fabbricazione se utilizzati nelle normali condizioni d'uso e di servizio. La garanzia copre l'intera durata del prodotto dalla data di acquisto del prodotto da parte dell'Utente finale come prodotto nuovo e mai usato da un distributore autorizzato CAPITAL SAFETY. La responsabilità complessiva di CAPITAL SAFETY nei confronti dell'Utente finale e il ricorso esclusivo dell'Utente finale ai sensi della presente garanzia sono limitati alla riparazione o alla sostituzione in natura dei prodotti difettati entro la durata (così come stabilita a propria esclusiva discrezione da CAPITAL SAFETY). Eventuali informazioni orali o scritte o consigli forniti da CAPITAL SAFETY, dai suoi distributori, direttori, funzionari, agenti o dipendenti non potranno in alcun modo dare origine a garanzie diverse o aggiuntive né potranno ampliare l'ambito della presente garanzia. CAPITAL SAFETY non potrà essere ritenuta responsabile dei difetti derivati da un cattivo o errato utilizzo del prodotto, da alterazioni o modifiche o da difetti dovuti ai mancati installazioni, manutenzione o uso del prodotto in conformità alle istruzioni del produttore. LA PRESENTE GARANZIA È L'UNICA GARANZIA APPLICABILE AI NOSTRI PRODOTTI E SOSTITUISCE QUALSIASI ALTRA GARANZIA E RESPONSABILITÀ, ESPRESSE O IMPLICITE.</p>	<p style="text-align: center;">Lebenslange Garantie mit Einschränkung</p> <p>Endbenutzer-Garantie: CAPITAL SAFETY garantiert dem ursprünglichen Endbenutzer ("Endbenutzer"), dass seine Produkte unter normalem Gebrauch und Betrieb frei von Material- und Herstellungsfehlern sind. Diese Garantie erstreckt sich auf die Lebensdauer des Produkts ab dem Datum, an dem der Endbenutzer das Produkt neu und ungebraucht von einem durch CAPITAL SAFETY autorisierten Händler gekauft hat. Die gesamte Haftung von CAPITAL SAFETY dem Endbenutzer gegenüber und der einzige Anspruch des Endbenutzers ist gemäß dieser Garantie beschränkt auf die Reparatur oder den Ersatz von defekten Produkten innerhalb ihrer Lebensdauer (eine Einschätzung diesbezüglich wird von CAPITAL SAFETY nach eigenem Ermessen durchgeführt). Keine von CAPITAL SAFETY schriftlich oder mündlich an Händler, Vorstandsmitglieder, Führungskräfte, Agenten oder Angestellte übergebenen Informationen oder Hinweise ergeben jegliche andere oder zusätzliche Gewährleistungen, noch erhöhen sie den Umfang dieser Garantie. CAPITAL SAFETY schließt eine Haftung für Defekte aufgrund von unsachgemäßem Gebrauch, Änderungen oder Modifikationen am Produkt sowie für Defekte, die darauf zurückzuführen sind, dass das Produkt nicht gemäß der Anweisungen des Herstellers montiert, gewartet und verwendet wurde, aus. DIESE GARANTIE IST DIE EINZIG GÜLTIGE GARANTIE FÜR UNSERE PRODUKTE UND GILT ANSTELLE VON ALLEN ANDEREN GARANTIEEN UND HAFTUNGSBEDINGUNGEN, SEI ES AUSDRÜCKLICH ODER STILLSCHWEIGEND.</p>
<p style="text-align: center;">Garantía limitada de por vida</p> <p>Garantía para el Usuario final: CAPITAL SAFETY garantiza al usuario final original ("Usuario final") que sus productos están libres de defectos en materiales y mano de obra bajo condiciones normales de uso y servicio. Esta garantía abarca toda la vida útil del producto, desde la fecha de compra del producto por parte del Usuario final, en estado nuevo y sin uso, a un distribuidor autorizado de CAPITAL SAFETY. Toda la responsabilidad de CAPITAL SAFETY para con el Usuario final y el recurso exclusivo del Usuario final en virtud de esta garantía, se limita a la reparación o sustitución en especie de cualquier producto defectuoso dentro de su vida útil (como CAPITAL SAFETY lo determine y estime conveniente a su sola discreción). Ninguna información oral o escrita, o información dada por CAPITAL SAFETY, sus distribuidores, directores, técnicos, agentes o empleados, creará ninguna garantía distinta o adicional, ni de alguna manera ampliará el alcance de esta garantía. CAPITAL SAFETY no acepta responsabilidad por defectos que sean resultado del abuso, mal uso, alteración o modificación del producto, ni por los defectos que se deban a una instalación, mantenimiento o utilización que no esté de acuerdo con las instrucciones del fabricante. ESTA GARANTÍA ES LA ÚNICA GARANTÍA APLICABLE A NUESTROS PRODUCTOS Y SUSTITUYE A CUALQUIER OTRA GARANTÍA O RESPONSABILIDAD, EXPRESA O IMPLÍCITA.</p>	<p style="text-align: center;">Garantia vitalicia limitada</p> <p>Garantia de utilizador final: a CAPITAL SAFETY garante ao utilizador final original ("Utilizador Final") que os seus produtos estão isentos de defeitos de materiais e de fabrico ao abrigo de uma utilização e serviço normal. Esta garantia prolonga-se pela duração da vida útil do produto desde a data de aquisição do produto pelo Utilizador Final, em condição nova e não usada, junto de um distribuidor autorizado da CAPITAL SAFETY. A responsabilidade integral da CAPITAL SAFETY perante o Utilizador Final e o recurso exclusivo do Utilizador Final ao abrigo desta garantia está limitado à reparação ou substituição de qualquer produto defeituoso no decorrer da sua vida útil (consoante apropriado e determinado exclusivamente segundo o critério exclusivo da CAPITAL SAFETY). Nenhuma informação escrita ou oral ou conselho fornecido pela CAPITAL SAFETY, seus distribuidores, directores, representantes, agentes ou funcionários irá criar garantias diferentes ou adicionais ou de qualquer forma aumentará o âmbito desta garantia. A CAPITAL SAFETY não aceitará responsabilidade por defeitos resultantes de abuso, utilização incorrecta, alteração ou modificação, ou por defeitos do produto que resultem de um incumprimento de instalação, manutenção ou utilização do produto de acordo com as instruções do fabricante. ESTA GARANTIA É A ÚNICA GARANTIA APLICÁVEL AOS NOSSOS PRODUTOS E EXISTE EM DETRIMENTO DE QUAISQUER OUTRAS GARANTIAS E RESPONSABILIDADES, EXPRESSAS OU IMPLÍCITAS.</p>
<p style="text-align: center;">Begränsad livstidsgaranti</p> <p>Garanti för slutanvändare: CAPITAL SAFETY garanterar den ursprungliga slutanvändaren (slutanvändaren) att produkterna inte har några material- eller produktionsfel vid normal användning och service. Garantin omfattar produktens livslängd från det datum då produkten köps av slutanvändaren i nytt och oanvänt skick från en auktoriserad återförsäljare för CAPITAL SAFETY. CAPITAL SAFETY'S hela ansvarsskyldighet gentemot slutanvändaren och slutanvändarens enda gottgörelse inom ramen för denna garanti begränsas till reparation eller byte av trasiga produkter under deras livslängd (enligt vad CAPITAL SAFETY bestämmer och bedömer som lämpligt efter eget gottfinnande). Inga muntliga eller skriftliga uppgifter eller råd från CAPITAL SAFETY, dess återförsäljare, chefer, tjänstemän, företrädare eller anställda får upprätta några andra eller ytterligare garantier eller på något sätt ändra garantins omfattning. CAPITAL SAFETY tar inget ansvar för fel som uppstår på grund av felaktig användning, missbruk, ändring eller modifiering av produkter eller fel som uppstår på grund av att produkten inte har monterats, underhållits eller använts i enlighet med tillverkarens anvisningar. DENNA GARANTI ÄR DEN ENDA GARANTI SOM GÄLLER FÖR VÅRA PRODUKTER OCH DEN ERSÄTTER ALLA ANDRA GARANTIER OCH ANSVAR, BÅDE UTTRYCKLIGA OCH UNDERFORSTÅDDA.</p>	<p style="text-align: center;">Rajoitettu käyttöiän aikainen takuu</p> <p>Takuu loppukäyttäjälle: CAPITAL SAFETY takaa alperäiselle loppukäyttäjälle ("loppukäyttäjä"), ettei sen tuotteissa esiinny materiaali- tai valmistusvirheitä normaalissa käytössä ja normaalisti huollettuna. Tämä takuu kattaa tuotteen normaalin käyttöiän siitä päivästä alkaen, kun loppukäyttäjä ostaa tuotteen uutena ja käyttämättömänä valtuutetulta CAPITAL SAFETY -jälleenmyyjältä. CAPITAL SAFETY'n ainoa korvausvelvollisuus loppukäyttäjää kohtaan ja loppukäyttäjän ainoa hyvyitys tämän takuun puitteissa rajoittuvat viiallisen tuotteen korjaukseen tai vastaavaan tuotteen vaihtoon tuotteen käyttöiän aikana (CAPITAL SAFETY'n harkintansa mukaan määrittämällä ja sopivaksi katsomalla tavalla). Mitään CAPITAL SAFETY'n, sen jälleenmyyjien, johtajien, toimihenkilöiden, edustajien tai työntekijöiden antamat suulliset tai kirjalliset tiedot tai ohjeet eivät muuta tämän takuun sisältöä eivätkä millään tavalla laajenna sitä. CAPITAL SAFETY ei vastaa vioista, jotka johtuvat tuotteen väärinkäytöstä tai muuttamisesta, eikä vioista, jotka johtuvat tuotteen asennusta, kunnossapitoa ja käyttöä koskevien valmistajan ohjeiden laiminlyönnistä. JÄMÄ TAKUU ON AINOA TUOTTEISIINME SOVELLETTAVA TAKUU, JA SE KORVAA KAIKKI MUUT NIMENOMAISET JA OLETETUT TAKUUT JA KORVAUSVELVOLLISSUDET.</p>
<p style="text-align: center;">Begrenset livstidsgaranti</p> <p>Garanti for sluttbruker: CAPITAL SAFETY garanterer den opprinnelige sluttbrukeren ("Sluttbrukeren") at materialene og håndverket som gikk med i tilvirkingen av produktene er uten defekter i sammenheng med vanlig bruk. Garantien gjelder for produktets livstid fra datoen Sluttbrukeren kjøper produktet i ny og ubrukt stand fra en autorisert leverandør av CAPITAL SAFETY. CAPITAL SAFETYs fulle og hele ansvar overfor Sluttbrukeren og Sluttbrukerens eneste rettighet under denne garantien er begrenset til reparasjon og erstatning i natura for alle defekte produkter innen sin livstid (som CAPITAL SAFETY anslår og anser som passende etter sitt eget forgodtbefinnende). Verken muntlig eller skriftlig rådgivning fra CAPITAL SAFETY eller dets leverandører, styremedlemmer, ledere, agenter eller ansatte skal opprette ulike eller ytterligere garantier, eller på noen måte utvide omfanget til denne garantien. CAPITAL SAFETY tar ikke ansvar for defekter som er resultatet av produktmisbruk, misbruk, endring eller modifikasjon, eller defekter som skyldes montering, vedlikehold eller bruk som ikke samsvarer med produsentens anvisninger. DENNE GARANTIE ER DEN ENESTE GARANTIE SOM GJELDER FOR VÅRE PRODUKTER. DEN GJELDER I STEDET FOR ALLE ANDRE GARANTIER OG ALT ANNET ANSVAR, BÅDE UTTRYKT OG UNDERFORSTÅTT.</p>	<p style="text-align: center;">Begrenset levetidsgaranti</p> <p>Slutbrugergaranti: CAPITAL SAFETY garanterer over for sluttbrukeren ("Sluttbruker"), at virksomhedens produkter er fri for defekter i materialer og udførelse, når de anvendes under normale forhold. Denne garanti gælder i produktets levetid fra den dato, Sluttbruger køber produktet i ny og ubrukt stand fra en af CAPITAL SAFETY autoriseret distributor. CAPITAL SAFETYs fulde ansvar over for Sluttbruger samt Slutbrugers eksklusive retsmiddel begrænses sig i henhold til nærværende garanti til reparation eller erstatning af defekte produkter inden for deres levetid (udelukkende efter CAPITAL SAFETYs skøn og vurdering). Ingen mundtlige eller skriftlige oplysninger eller råd fra CAPITAL SAFETY, virksomhedens distributører, direktører, funktionærer, repræsentanter eller medarbejdere kan udgøre en anden eller yderligere garanti, eller på nogen måde udvide nærværende garanti. CAPITAL SAFETY påtager sig intet ansvar for defekter, der er forårsaget af misbrug, forkert brug, ændringer eller modifikationer af produktet, eller for defekter, der skyldes installation, vedligeholdelse eller brug af produktet, der er i modstrid med produsentens anvisninger. DENNE GARANTI ER DEN ENESTE GARANTI, DER ER GÆLDENDE FOR VORES PRODUKTER, OG DEN TRÆDER I STEDET FOR ALLE ANDRE GARANTIER, UDTRYKKELIGE ELLER UNDERFORSTÅEDE.</p>
<p style="text-align: center;">BEPERKTE LEVENSLANGE GARANTIE</p> <p>Garantie voor eindgebruiker: CAPITAL SAFETY garandeert de oorspronkelijke eindgebruiker ("eindgebruiker") dat zijn producten bij normaal gebruik en service vrij zijn van defecten in materialen en vakmanschap. Deze garantie strekt zich uit tot de levensduur van het product vanaf de datum waarop het product in nieuwstaat en in ongebruikte toestand door de eindgebruiker wordt aangeschaft bij een door CAPITAL SAFETY geautoriseerde distributeur. De gehele aansprakelijkheid van CAPITAL SAFETY jegens de eindgebruiker en de enige remedie die de eindgebruiker ter beschikking staat onder deze garantie, is beperkt tot het repareren of vervangen van het defecte product binnen zijn levensduur (uitsluitend zoals CAPITAL SAFETY naar eigen goeddunken bepaalt en van toepassing acht). Geen enkele informatie of geen enkel advies, mondeling of schriftelijk, verstrekt door CAPITAL SAFETY, diens distributeurs, directeurs, functionarissen, agenten of medewerkers creëert andere of aanvullende garanties en vergroot in geen enkel geval de reikwijdte van deze garantie. CAPITAL SAFETY neemt geen aansprakelijkheid voor defecten die het gevolg zijn van misbruik, verkeerd gebruik, verandering of aanpassing van het product, of voor defecten die het gevolg zijn van het niet opvolgen van de instructies van de fabrikant bij het installeren, onderhouden of gebruiken van het product. DEZE GARANTIE IS DE ENIGE GARANTIE DIE VAN TOEPASSING IS OP ONZE PRODUCTEN EN TREEDT NIET IN DE PLAATS VAN ANDERE UITDRUKKELIJKE OF STILZWIJGENDE GARANTIEËN EN AANSPRAKELIJKHEDEN.</p>	



The Ultimate in Fall Protection

CSG USA & Latin America

3833 SALA Way
Red Wing, MN 55066-5005
Toll Free: 800.328.6146
Phone: 651.388.8282
Fax: 651.388.5065
solutions@capitalsafety.com

CSG Canada

260 Export Boulevard
Mississauga, ON L5S 1Y9
Phone: 905.795.9333
Toll-Free: 800.387.7484
Fax: 888.387.7484
info.ca@capitalsafety.com

CSG Northern Europe

5a Merse Road
North Moons, Moat
Reditch, Worcestershire, UK
B98 9HL
Phone: + 44 (0)1527 548 000
Fax: + 44 (0)1527 591 000
csgne@capitalsafety.com

**CSG EMEA
(Europe, Middle East, Africa)**

Le Broc Center
Z.I. 1ère Avenue
5600 M B.P. 15 06511
Carros
Le Broc Cedex
France
Phone: + 33 4 97 10 00 10
Fax: + 33 4 93 08 79 70
information@capitalsafety.com

CSG Australia & New Zealand

95 Derby Street
Silverwater
Sydney NSW 2128
AUSTRALIA
Phone: +(61) 2 8753 7600
Toll-Free : 1 800 245 002 (AUS)
Toll-Free : 0800 212 505 (NZ)
Fax: +(61) 2 87853 7603
sales@capitalsafety.com.au

CSG Asia

Singapore:
16S, Enterprise Road
Singapore 627666
Phone: +65 - 65587758
Fax: +65 - 65587058
inquiry@capitalsafety.com

Shanghai:

Rm 1406, China Venturetech Plaza
819 Nan Jing Xi Rd,
Shanghai 200041, P R China
Phone: +86 21 62539050
Fax: +86 21 62539060

www.capitalsafety.com

