



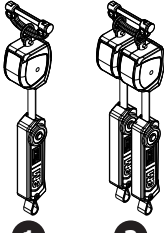
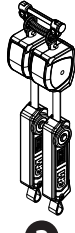
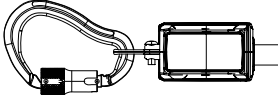
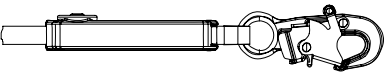

Fall Protection

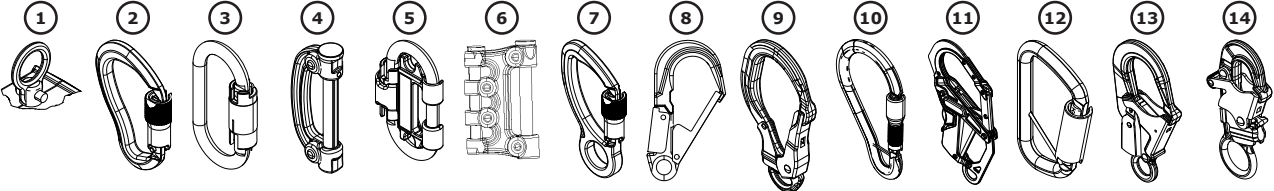
CE	EN360: 2002
Regulation (EU) 2016 / 425	
CE Type Test BSI Kitemark Court Davy Avenue Knowlhill Milton Keynes MK5 8PP United Kingdom	CE Production Quality Control No. 0086 BSI Kitemark Court Davy Avenue Knowlhill Milton Keynes MK5 8PP United Kingdom

Nano-Lok SELF-RETRACTING DEVICE

INSTRUCTION MANUAL 5908146 Rev. A

1

 1		 2															X1
				None	2000025	2000159	3100197	3100108	3100196	2000023	2007153	2000209	2000188	2000214	2000005		
1	2	3	4	5	6	7	8	9	10	11	12	13	14				
3101207	1			1										2 m (6.6 ft)	140 kg (310lbs)		
3101208	1	1								1				2 m (6.6 ft)	140 kg (310lbs)		
3101261	1			1									1	2 m (6.6 ft)	140 kg (310lbs)		
3101263	1	1											1	2 m (6.6 ft)	140 kg (310lbs)		
3101264	1	1						1						1.9 m (6.2 ft)	140 kg (310lbs)		
3101265	1			1									1	2 m (6.6 ft)	140 kg (310lbs)		
3101461	1			1						1				2 m (6.6 ft)	140 kg (310lbs)		
3101709	1	1											1	2.1 m (6.9 ft)	140 kg (310lbs)		
3101730	1			1						1				2 m (6.6 ft)	140 kg (310lbs)		
3101270	2			1									2	2 m (6.6 ft)	140 kg (310lbs)		
3101298	2			1						2				2 m (6.6 ft)	140 kg (310lbs)		
3101316	2			1						2				2 m (6.6 ft)	140 kg (310lbs)		
3101718	2			1									2	2 m (6.6 ft)	140 kg (310lbs)		
3101719	2			1						2				2 m (6.6 ft)	140 kg (310lbs)		



SAFETY INFORMATION

Please read, understand, and follow all safety information contained in these instructions prior to the use of this Self-Retracting Device (SRD). **FAILURE TO DO SO COULD RESULT IN SERIOUS INJURY OR DEATH.**

These instructions must be provided to the user of this equipment. Retain these instructions for future reference.

Intended Use:

This Self-Retracting Device is intended for use as part of a complete personal fall protection system.

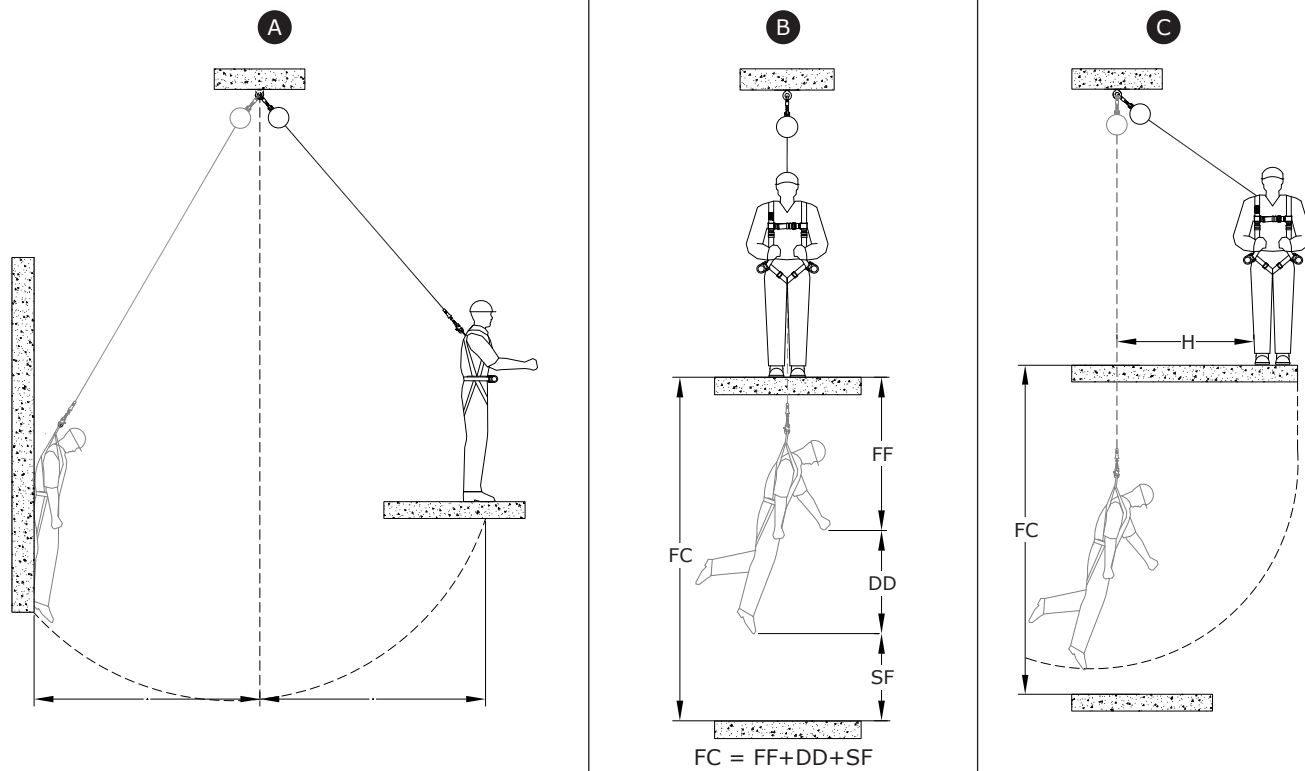
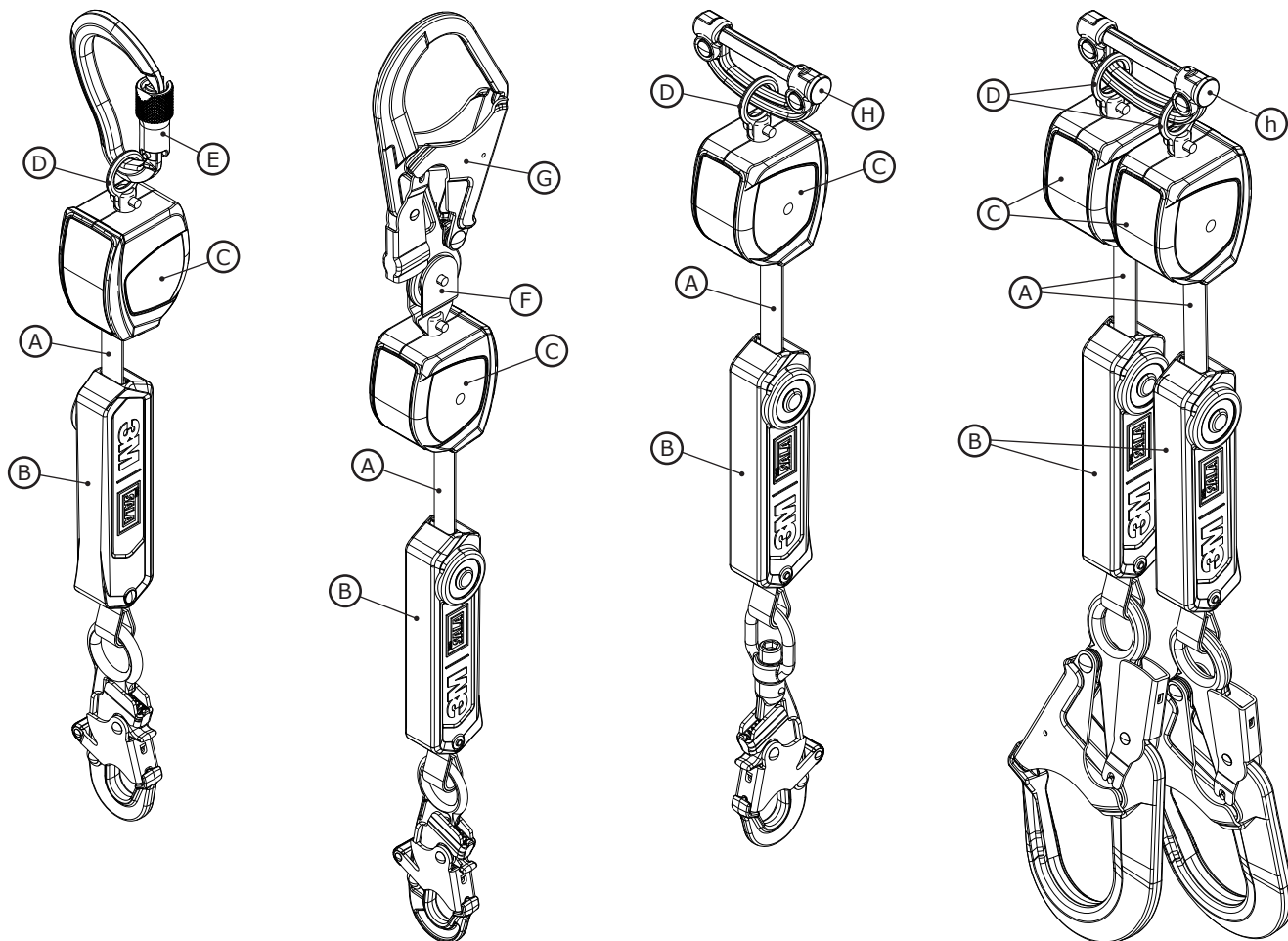
Use in any other application including, but not limited to, material handling, recreational or sports related activities, or other activities not described in the User Instructions, is not approved by 3M and could result in serious injury or death.

This device is only to be used by trained users in workplace applications.

! WARNING

This Self-Retracting Device is part of a personal fall protection system. It is expected that all users be fully trained in the safe installation and operation of their personal fall protection system. **Misuse of this device could result in serious injury or death.** For proper selection, operation, installation, maintenance, and service, refer to these User Instructions including all manufacturer recommendations, see your supervisor, or contact 3M Technical Services.

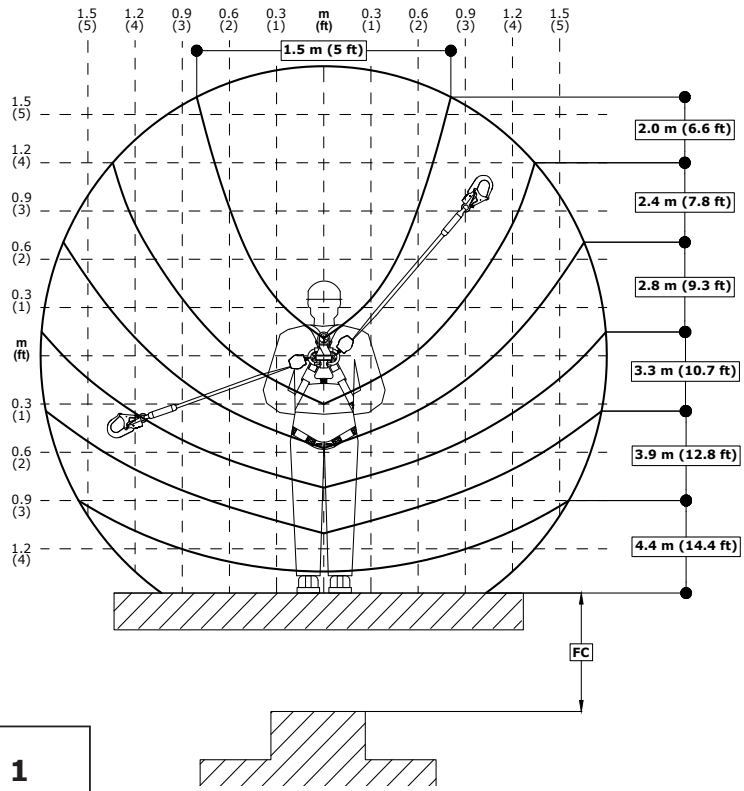
- **To reduce the risks associated with working with an SRD which, if not avoided, could result in serious injury or death:**
 - Before each use, inspect the SRD and check for proper locking and retraction.
 - If inspection reveals an unsafe or defective condition, remove the device from service and repair or replace according to the User Instructions.
 - If the SRD has been subjected to fall arrest or impact force, immediately remove the SRD from service and label the device 'UNUSABLE'.
 - Ensure the lifeline is kept free from any and all obstructions including, but not limited to; entanglement with moving machinery or equipment (e.g., the top drive of oil rigs), other workers, yourself, surrounding objects, or impact from overhead objects that could fall onto the lifeline or the worker.
 - Never allow slack in the lifeline. Do not tie or knot the lifeline.
 - Attach the unused leg(s) of the Harness Mounted SRD to the parking attachment(s) of the harness if equipped.
 - Do not use in applications that have an obstructed fall path. Working on slowly shifting material, such as sand or grain, or within confined or cramped spaces, may not allow the worker to reach sufficient speed to cause the SRD to lock. A clear path is required to assure positive locking of the SRD.
 - Avoid sudden or quick movements during normal work operation. This may cause the device to lock up.
 - Ensure that fall protection systems/subsystems assembled from components made by different manufacturers are compatible and meet the requirements of applicable standards, including the ANSI Z359 or other applicable fall protection codes, standards, or requirements. Always consult a Competent and/or Qualified Person before using these systems.
- **To reduce the risks associated with working at height which, if not avoided, could result in serious injury or death:**
 - Ensure your health and physical condition allow you to safely withstand all of the forces associated with working at height. Consult with your doctor if you have any questions regarding your ability to use this equipment.
 - Never exceed allowable capacity of your fall protection equipment.
 - Never exceed maximum free fall distance of your fall protection equipment.
 - Do not use any fall protection equipment that fails pre-use or other scheduled inspections, or if you have concerns about the use or suitability of the equipment for your application. Contact 3M Technical Services with any questions.
 - Some subsystem and component combinations may interfere with the operation of this equipment. Only use compatible connections. Consult 3M prior to using this equipment in combination with components or subsystems other than those described in the User Instructions.
 - Use extra precautions when working around moving machinery (e.g. top drive of oil rigs) electrical hazards, extreme temperatures, chemical hazards, explosive or toxic gases, sharp edges, or below overhead materials that could fall onto you or your fall protection equipment.
 - Use Arc Flash or Hot Works devices when working in high heat environments.
 - Avoid surfaces and objects that can damage the user or equipment.
 - Ensure there is adequate fall clearance when working at height.
 - Never modify or alter your fall protection equipment. Only 3M or parties authorized in writing by 3M may make repairs to the equipment.
 - Prior to use of fall protection equipment, ensure a rescue plan is in place which allows for prompt rescue if a fall incident occurs.
 - If a fall incident occurs, immediately seek medical attention for the worker who has fallen.
 - Do not use a body belt for fall arrest applications. Use only a Full Body Harness.
 - Minimize swing falls by working as directly below the anchorage point as possible.
 - If training with this device, a secondary fall protection system must be utilized in a manner that does not expose the trainee to an unintended fall hazard.
 - Always wear appropriate personal protective equipment when installing, using, or inspecting the device/system.



59 kg to 100 kg

H →

↑ V

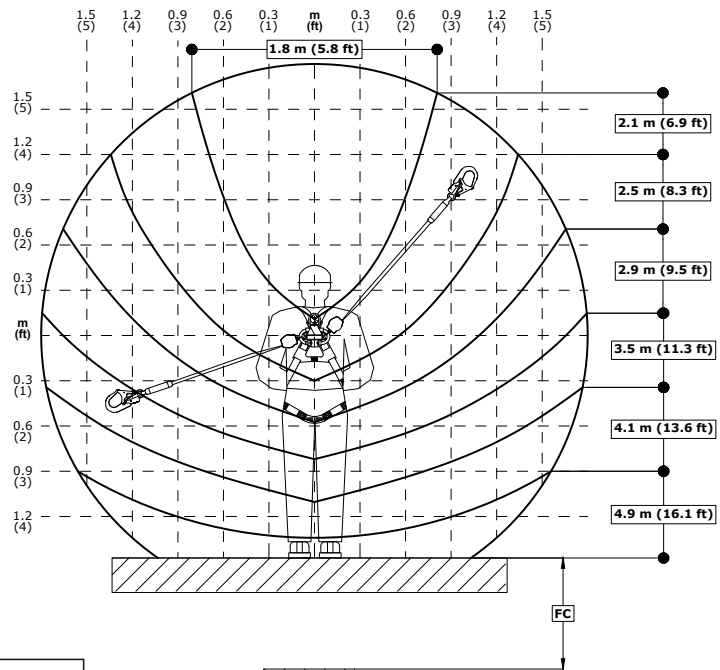


x 1
59 kg to 100 kg

100 kg to 140 kg

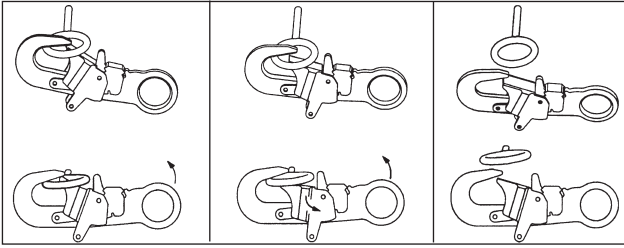
H →

↑ V



x 1
100 kg - 140 kg

5

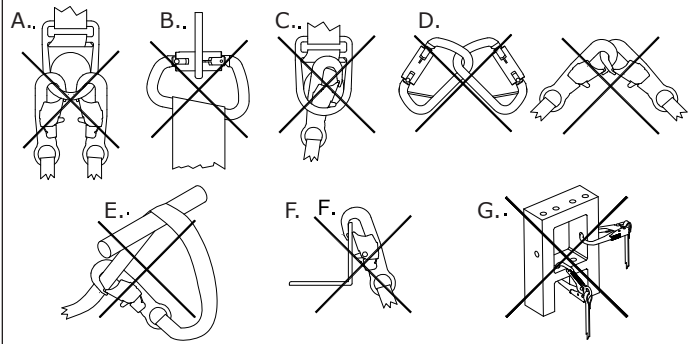


A

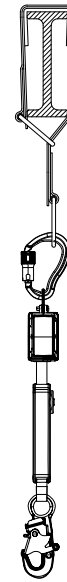
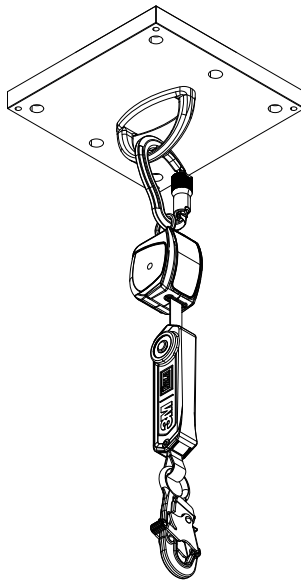
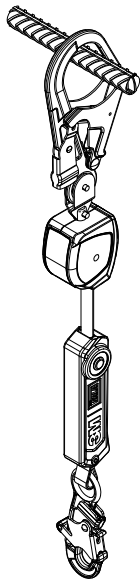
B

C

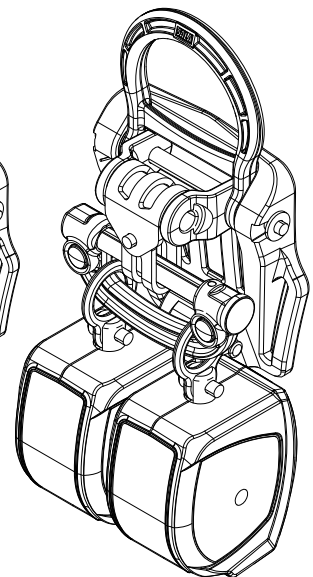
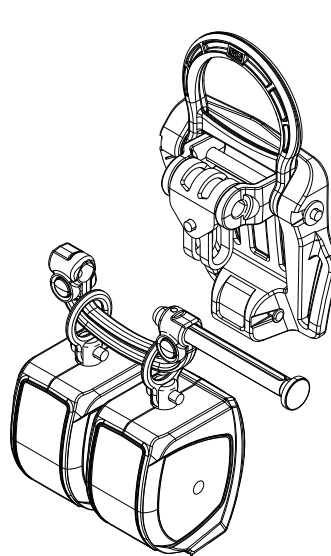
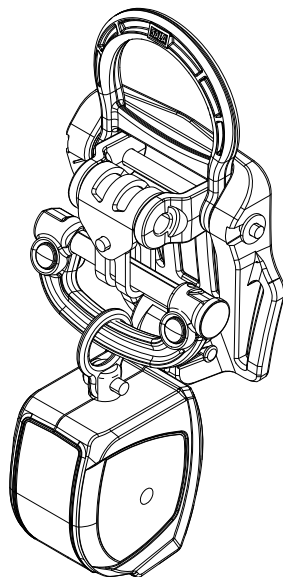
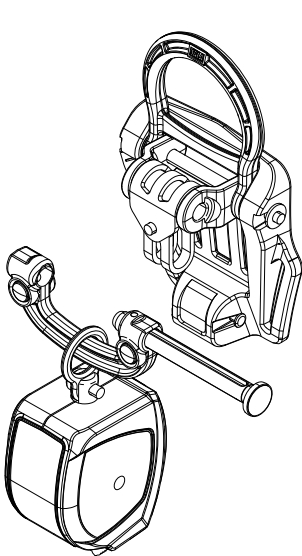
6

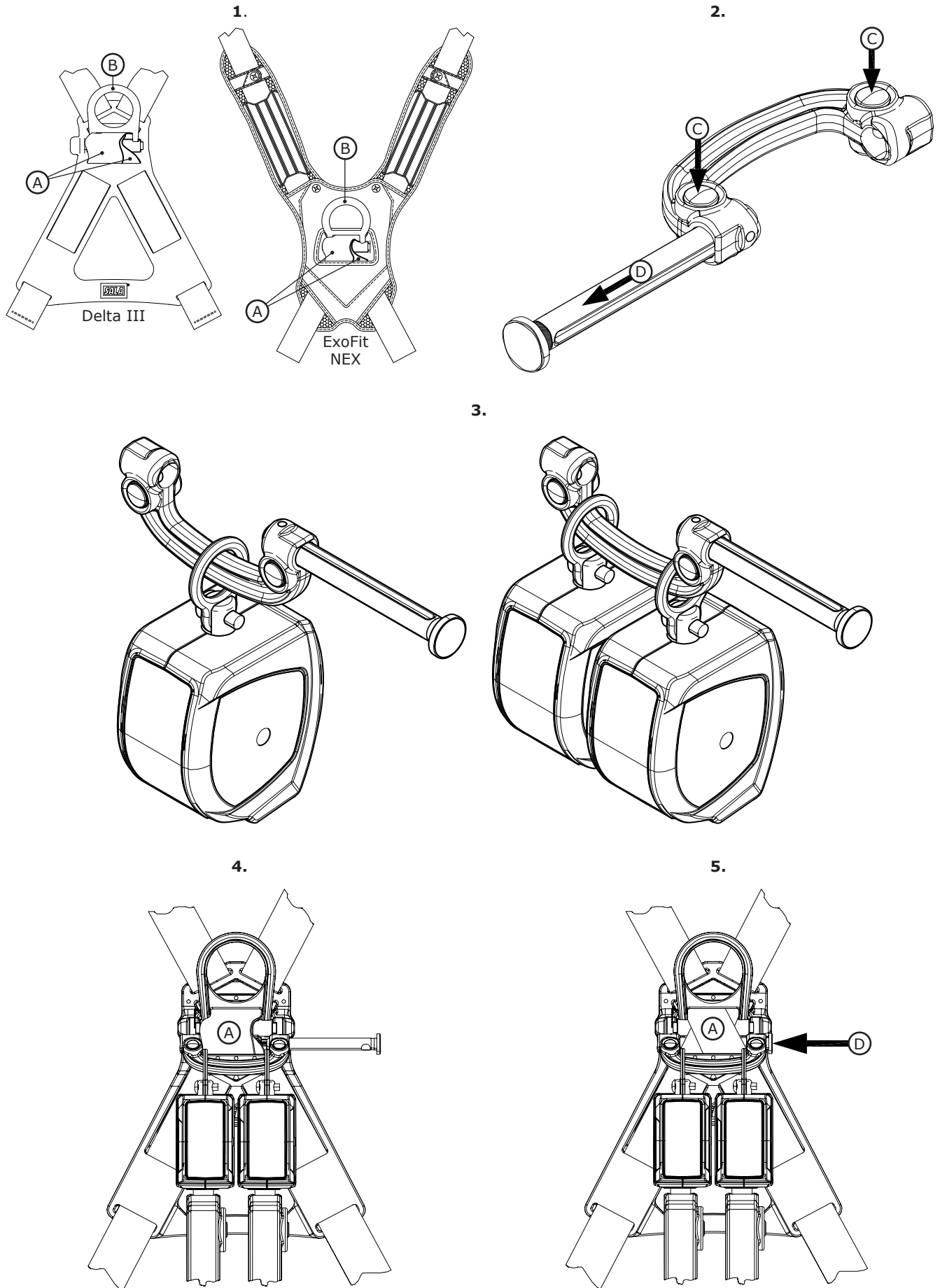


7

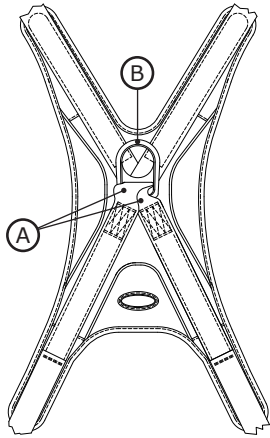


8

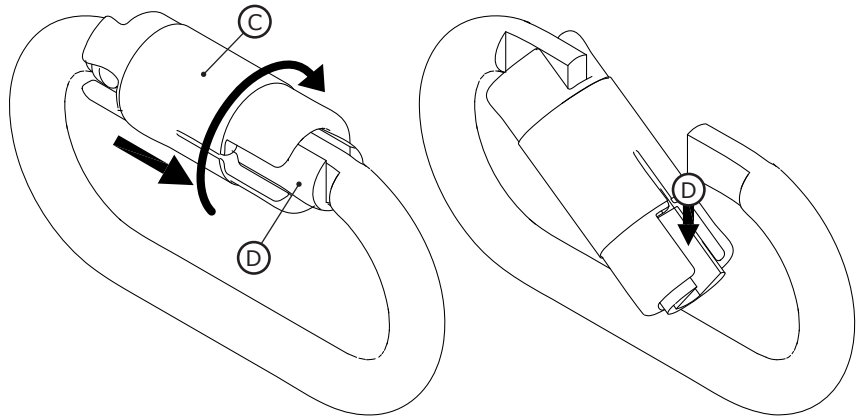




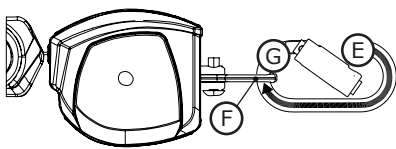
1.



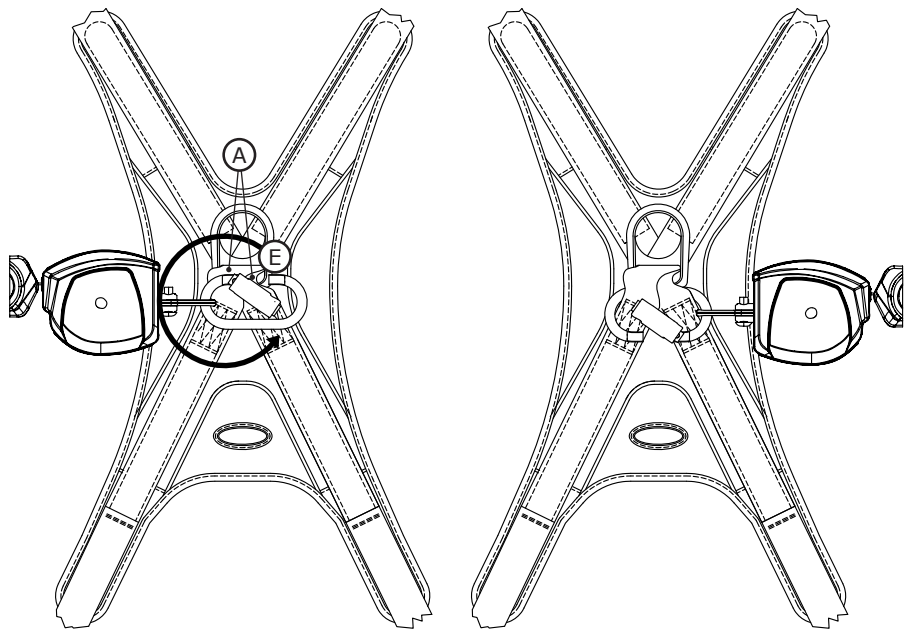
2.



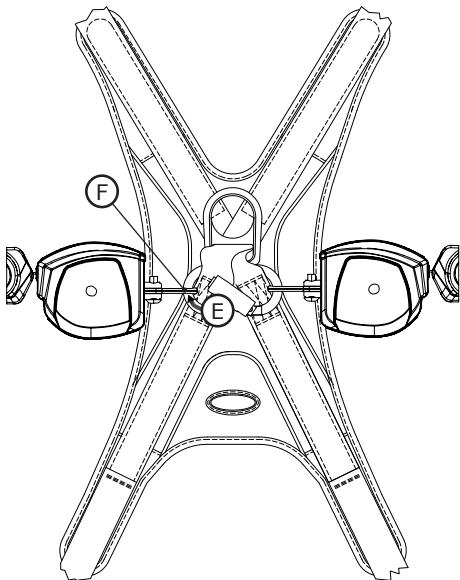
3.



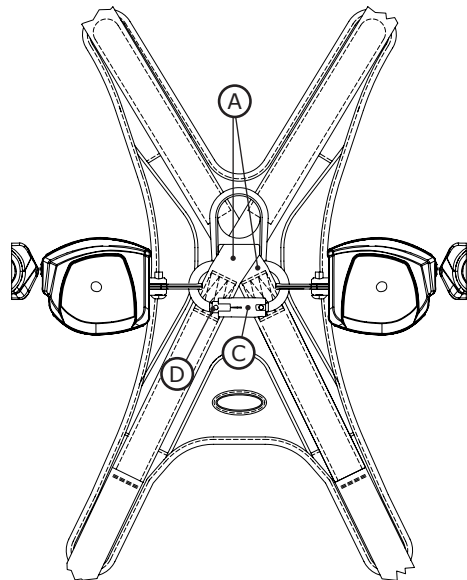
4.



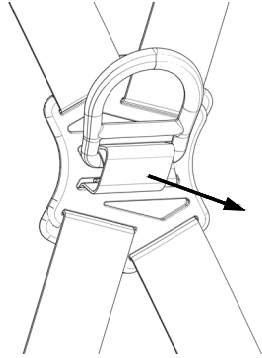
5.



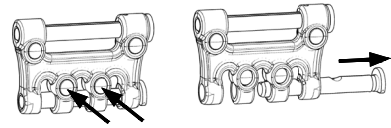
6.



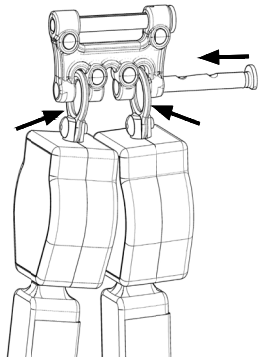
1.



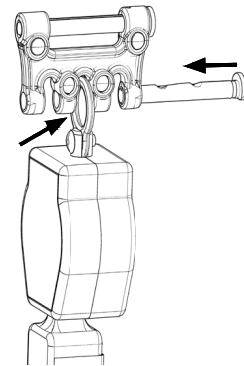
2.



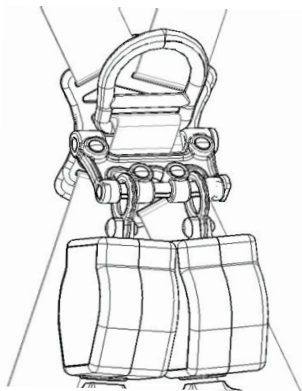
3.



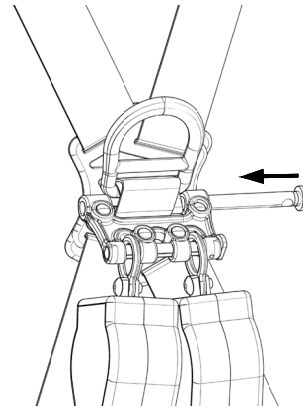
4.



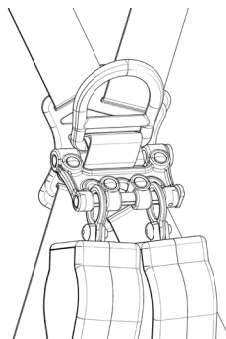
5.



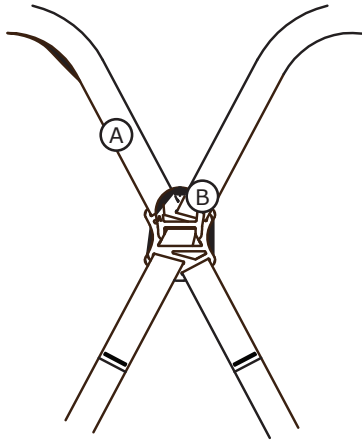
6.



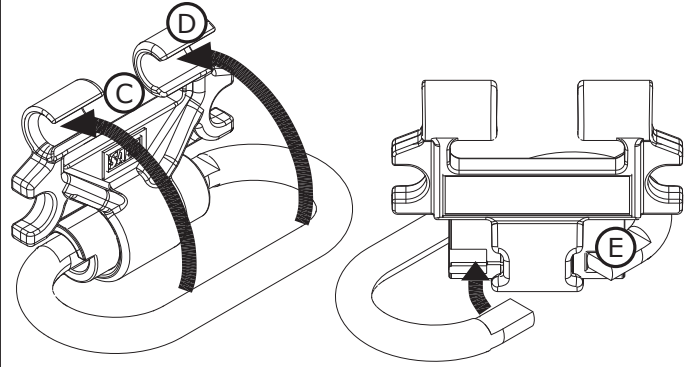
7.



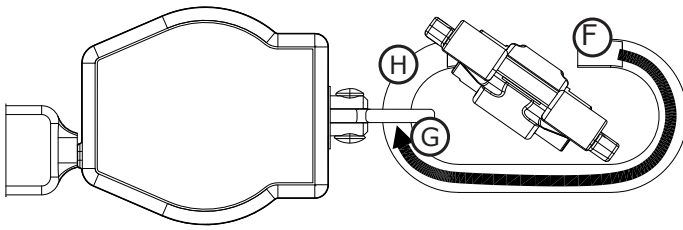
1.



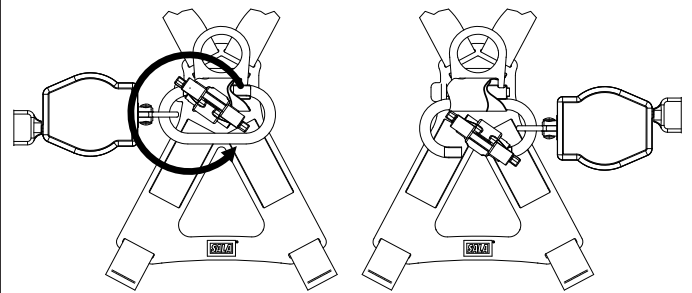
2.



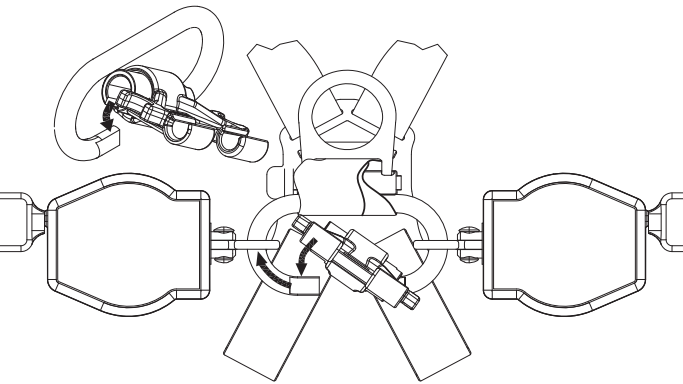
3.



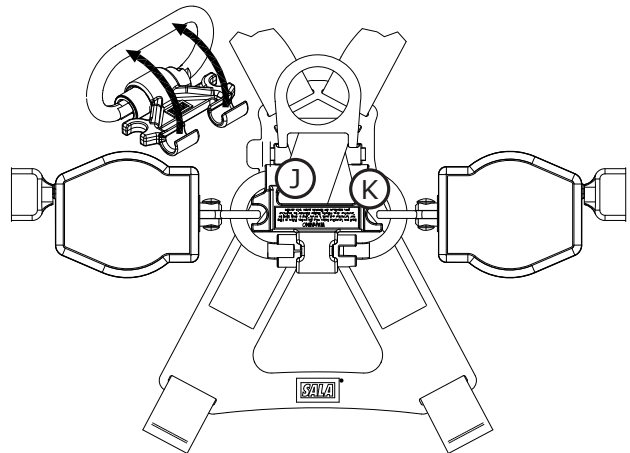
4.



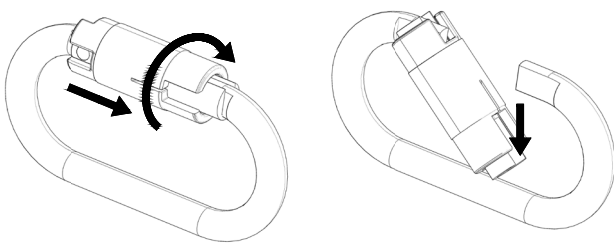
5.



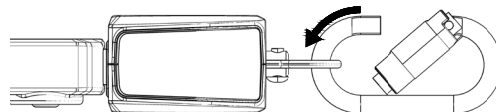
6.



1.

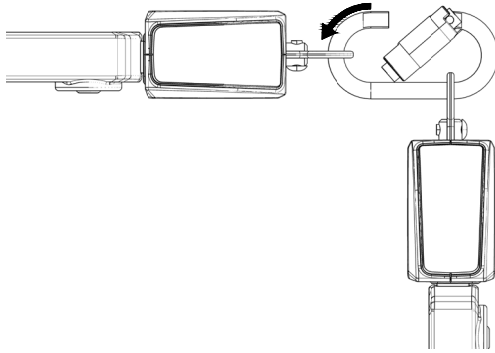


2.

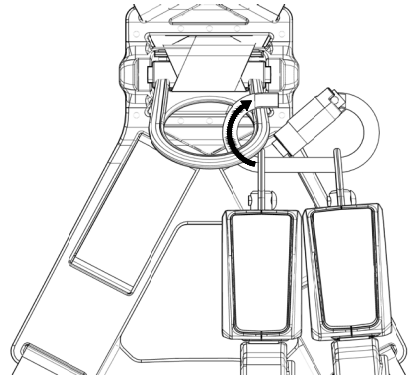


13

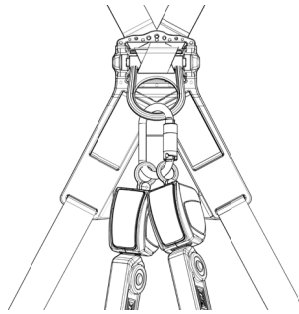
3.



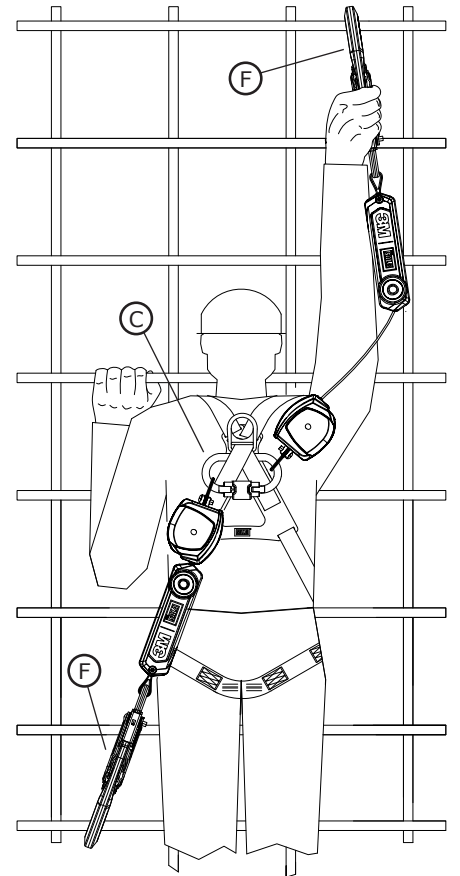
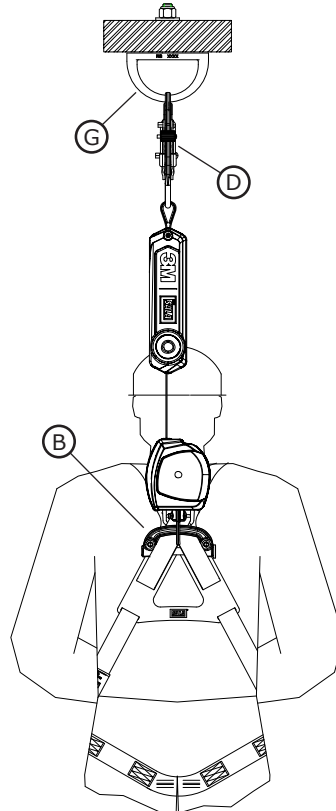
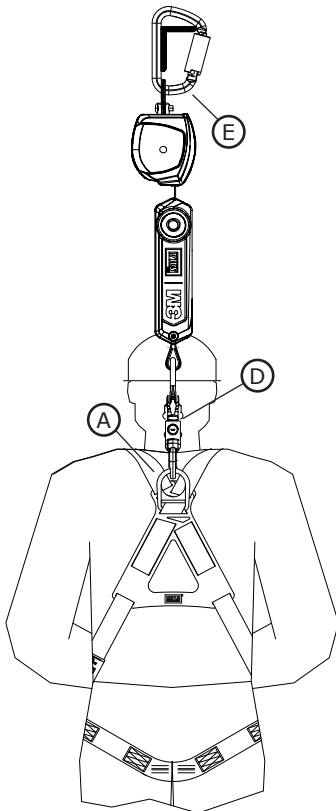
4.



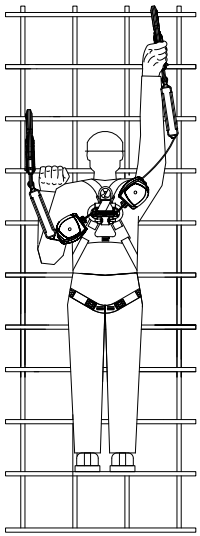
5.



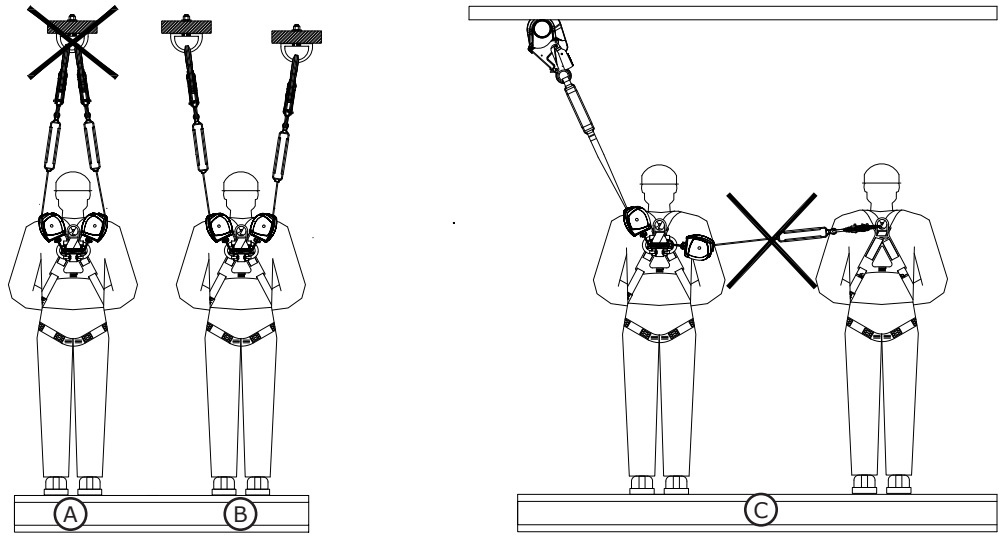
14



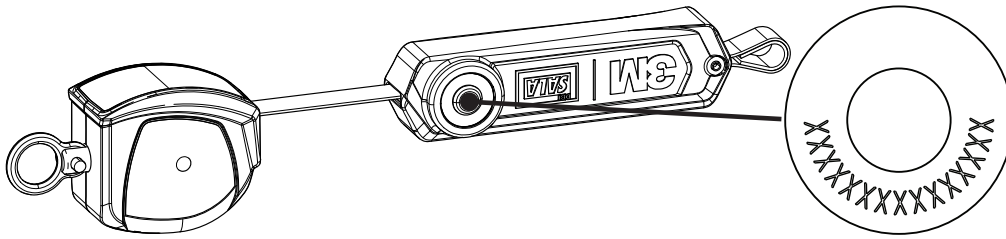
15



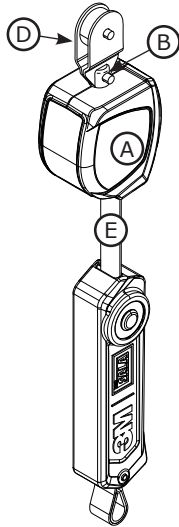
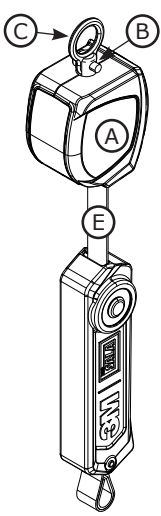
16



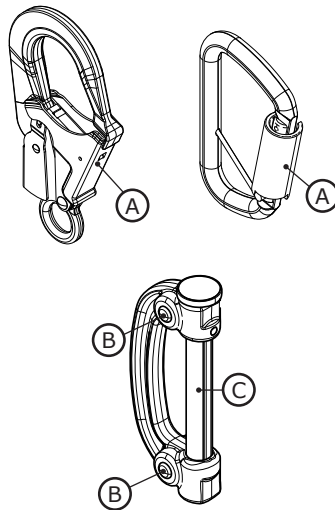
17



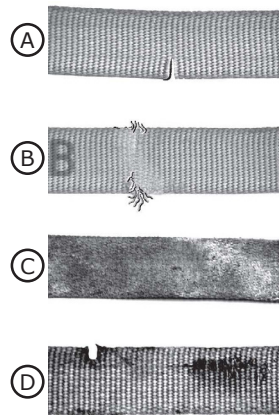
18



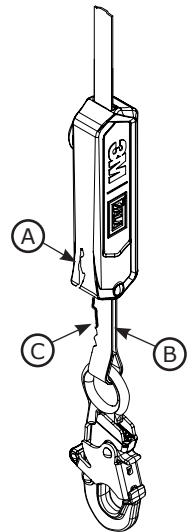
19

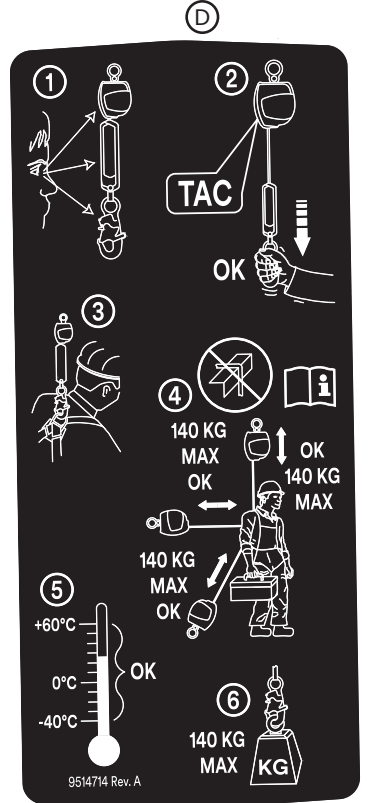
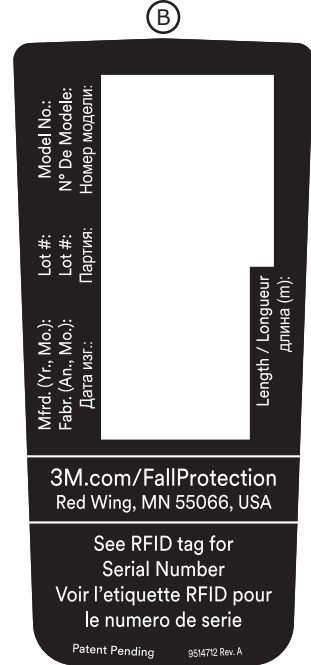
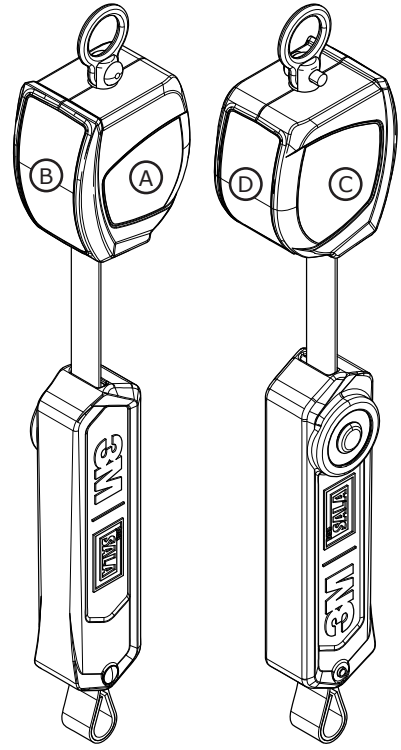
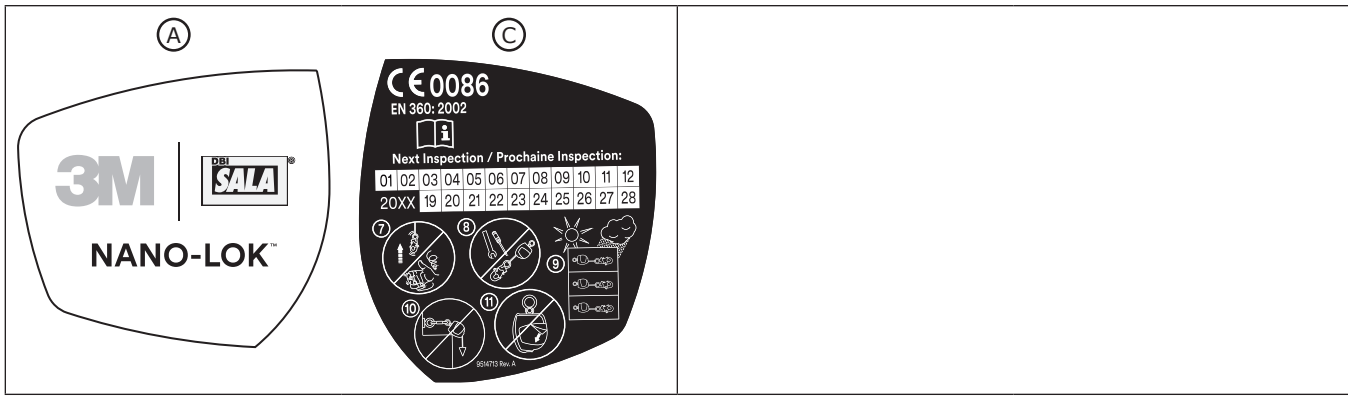


20



21





Before using this equipment, record the product identification information from the ID label in the 'Inspection and Maintenance Log' at the back of this manual.

DESCRIPTION:

Figure 2 identifies key components of the 3M™ DBI-SALA® Nano-Lok Self-Retracting Devices (SRDs). Nano-Lok SRDs are drum wound Web Lifelines (A) with an in-line Energy Absorber (B) that retracts into a Nylon Housing (C). A Swivel Eye (D) on the top of the Housing allows attachment to a valid anchorage connection point with a Carabiner (E), or mounting on a Full Body Harness with a Harness Interface (F). Figure 1 identifies available Nano-Lok models and their connector configurations. See Table 1 for Nano-Lok SRD and connector specifications.

Table 1 – Specifications

Component Specifications:

SRL Housings	Nylon
Drum	Nylon
Internal Components	Stainless Steel, Aluminum
Web Lifeline	Dyneema Polyester
Energy Absorber	Cover: Nitrile Rubber, Web: Polyester, Stitching: Polyester or Nylon Thread
Swivel	Zinc Plated Steel

Connector Specifications:

	Description	Material	Gate Opening	Gate Strength	Tensile Strength
①	Swivel Eye	Steel	22.35 mm (0.88 in) inside diameter	X	22.2 kN (5,000 lbs)
②	Carabiner	Aluminum	19 mm (3/4 in)	16 kN (3600 lbs)	22.2 kN (5000 lbs)
③	Carabiner	Steel	19 mm (3/4 in)	16 kN (3600 lbs)	22.2 kN (5000 lbs)
④	Single SRD Interface	Steel	51 mm (2 in)	16 kN (3600 lbs)	22.2 kN (5000 lbs)
⑤	Twin SRD Interface	Steel w/Nylon Insert	19 mm (3/4 in)	16 kN (3,600 lbs)	22.2 kN (5000 lbs)
⑥	Carabiner	Aluminum, Steel	56 mm (2.19 in)	16 kN (3600 lbs)	22.2 kN (5000 lbs)
⑦	Carabiner	Aluminum	19 mm (3/4 in)	16 kN (3600 lbs)	22.2 kN (5000 lbs)
⑧	Rebar Hook	Aluminum	57 mm (2-1/4 in)	16 kN (3600 lbs)	22.2 kN (5000 lbs)
⑨	Rebar Hook	Aluminum	63 mm (2-1/2 in)	16 kN (3600 lbs)	22.2 kN (5000 lbs)
⑩	Carabiner	Aluminum	52 mm (2 in)	16 kN (3600 lbs)	22.2 kN (5000 lbs)
⑪	Rebar Hook	Aluminum, Steel	63 mm (2-1/2 in)	16 kN (3600 lbs)	22.2 kN (5000 lbs)
⑫	Carabiner	Steel	19 mm (3/4 in)	16 kN (3600 lbs)	22.2 kN (5000 lbs)
⑬	Rebar Hook	Aluminum	57 mm (2-1/4 in)	16 kN (3600 lbs)	22.2 kN (5000 lbs)
⑭	Snap Hook	Steel	19 mm (3/4 in)	16 kN (3600 lbs)	22.2 kN (5000 lbs)

Performance Specifications:

SRL Specifications (Vertical)	CE Models	
Capacity Range	59 kg - 100 kg (130 lbs - 220 lbs)	100 kg - 140 kg (220 lbs - 310 lbs)
Maximum Arresting Force	6 kN (1350 lbs)	6 kN (1350 lbs)
Average Arresting Force	4 kN (900 lbs)	4 kN (900 lbs)
Claimed Maximum Arresting Distance¹	0.61 m (24 in)	0.61 m (24 in)
Minimum Fall Clearance Required¹	1.5 m (5 ft)	1.8 m (5.8 ft)
Maximum Free Fall²	1.5 m (5 ft)	1.5 m (5 ft)

1 - Assumes the SRL is mounted directly above (overhead) the end user.

2 - Measured from user D-Ring to walking/working surface. Refer to Fall Clearance Chart(s) for details.

1.0 APPLICATIONS

- 1.1 PURPOSE:** Self-Retracting Devices (SRDs) are designed to be a component in a personal fall arrest system (PFAS). Figure 1 illustrates SRDs covered by this instruction manual. They may be used in most situations where a combination of worker mobility and fall protection is required (i.e. inspection work, general construction, maintenance work, oil production, confined space work, etc.).
- 1.2 STANDARDS:** Your SRD conforms to the national or regional standard(s) identified on the front cover of these instructions. Refer to the local, state, and federal (OSHA) requirements governing occupational safety for additional information regarding Personal Fall Protection.
- 1.3 TRAINING:** This equipment is intended to be used by persons trained in its correct application and use. It is the responsibility of the user to assure they are familiar with these instructions and are trained in the correct care and use of this equipment. Users must also be aware of the operating characteristics, application limits, and the consequences of improper use.
- 1.4 LIMITATIONS:** Always consider the following limitations when installing or using this equipment:

- **Capacity:** SRDs are for use by one person with a combined weight (clothing, tools, etc.) meeting the *Capacity Range* specified in Table 1. Make sure all of the components in your system are rated to a capacity appropriate to your application.
- **Anchorage:** Anchorage structure for the SRD must be capable of supporting loads up to 12 kN (2,697 lbs). Anchor devices must conform to EN795 or other applicable anchorage connector standards.
- **Locking Speed:** Situations which do not allow for an unobstructed fall path should be avoided. Working in confined or cramped spaces, or on a sloped surface, may not allow the body to reach sufficient speed to cause the SRD to lock if a fall occurs. Working on slowly shifting material, such as sand or grain, may not allow enough speed buildup to cause the SRD to lock. A clear path is required to assure positive locking of the SRD.
- **Free Fall:** When anchored overhead, SRDs will limit the free fall distance to 0.6 m (2 ft.)¹. To avoid increased fall distances, anchor the SRD directly above the work level. Never attach the SRD to an anchor point that will create a free fall greater than 1.5 m (5 ft). Avoid working where your lifeline may cross or tangle with the lifeline of another worker. Avoid working where an object may fall and strike the lifeline; resulting in loss of balance or damage to the lifeline. Do not allow the lifeline to pass under arms or between legs. Never clamp, knot, or prevent the lifeline from retracting or being taut. Avoid slack line. **Do not lengthen SRDs by connecting a lanyard or similar component without consulting 3M.**
- **Swing Falls:** Swing Falls occur when the anchorage point is not directly above the point where a fall occurs. The force of striking an object in a swing fall may cause serious injury (see Figure 3A). Minimize swing falls by working as directly below the anchorage point as possible (Figure 3B). Working away from the anchorage point (Figure 3C) will increase the impact of a swing fall and increase the required Fall Clearance (FC).
- **Fall Clearance:** Figure 3B illustrates Fall Clearance Calculation. Fall Clearance (FC) is the sum of Free Fall (FF), Deceleration Distance (DD) and a Safety Factor (SF): $FC = FF + DD + SF$. D-Ring Slide and Harness Stretch are included in the Safety Factor. Fall Clearance values have been calculated and are charted in Figure 4. A Safety Factor of 1 m (3.28 ft) was used for all values in Figure 4.

Figure 4 illustrates Fall Clearance (FC) based on the Horizontal (H) and Vertical (V) distance between the dorsal SRD connection and the anchorage point. Each horizontal grid line on the chart(s) represents vertical distance from the anchorage point. Each vertical grid line represents horizontal distance from the anchorage point. The Fall Clearance value (FC) is determined by the zone (parabolic lines) in which the Horizontal (H) and Vertical (V) grid lines intersect. The example in Figure 4 shows how to determine the required Fall Clearance value (FC) for the stated Vertical (V) and Horizontal (H) distances.

Variable Anchor Points: Fall Clearances in Figure 4 are based on a rigid, stationary anchor point. If anchoring to a Horizontal Lifeline (HLL) or anchor point that can move, slide, or deform during a fall, the Fall Clearance values from Figure 4 will not apply. Refer to the instructions for the HLL or anchor for additional details regarding required fall clearances, deflections, and/or deformation.

Kneeling or Crouching: The Clearance Charts in Figure 4 assume the worker is in a standing position. If the worker will be kneeling or crouching, an additional 0.9 m (3 ft) of Fall Clearance is required.

Never Anchor below the feet: Never connect to an anchorage point below your feet.

- **Hazards:** Use of this equipment in areas where surrounding hazards exist may require additional precautions to reduce the possibility of injury to the user or damage to the equipment. Hazards may include, but are not limited to: high heat, caustic chemicals, corrosive environments, high voltage power lines, explosive or toxic gases, moving machinery, or overhead materials that may fall and contact the user or fall arrest system. Avoid working where your lifeline may cross or tangle with that of another worker. Avoid working where an object may fall and strike the lifeline; resulting in loss of balance or damage to the lifeline. Do not allow the lifeline to pass under arms or between legs.
- **Sharp Edges:** Sharp edges the SRD lifeline can contact during a fall must have a minimum radius of 0.3 cm (0.125 in). Where contact with a sharp edge is unavoidable, cover the edge with a protective material.

¹ **Free Fall:** Correct application of the SRD, with the user working directly below the anchorage point and no lifeline slack, will eliminate Free Fall. See Figure 4 for acceptable anchorage locations.

2.0 System Use

- 2.1 FALL PROTECTION AND RESCUE PLAN:** The employer must have a Fall Protection and Rescue Plan. The plan should provide guidelines and requirements for an employer’s managed fall protection program, including policies, duties and training; fall protection procedures; eliminating and controlling fall hazards; rescue procedures; incident investigations; and evaluating program effectiveness.
- 2.2 INSPECTION FREQUENCY:** SRDs shall be inspected by the authorized person¹ or rescuer² before each use (See Table 3). Additionally, inspections shall be conducted by a competent person³ other than the user. Extreme working conditions (harsh environment, prolonged use, etc.) may necessitate more frequent competent person inspections. The competent person shall use the *Inspection Schedule (Table 2)* to determine appropriate inspection intervals. Inspection procedures are described in the *Inspection & Maintenance Log (Table 3)*. Results of the Competent Person inspection should be recorded in the *Inspection and Maintenance Log* or recorded with the Radio Frequency Identification (RFID) system (see *Section 5*).
- 2.3 NORMAL OPERATIONS:** Normal operation will allow the lifeline to extend and retract with no hesitation or slack as the worker moves at normal speeds. If a fall occurs, a speed sensing brake system will activate, stopping the fall and absorbing much of the energy created. Sudden or quick movements should be avoided during normal work operation, as this may cause the SRD to lock up. For falls which occur near the end of the lifeline travel, a reserve lifeline system or Energy Absorber has been incorporated to reduce the fall arrest forces.
- 2.4 BODY SUPPORT:** A Full Body Harness must be used with the Self-Retracting Device. The harness connection point must be above the user’s center of gravity. A body belt is not authorized for use with the Self-Retracting Device. If a fall occurs when using a body belt it may cause unintentional release or physical trauma from improper body support.
- 2.5 COMPATIBILITY OF COMPONENTS:** Unless otherwise noted, 3M equipment is designed for use with 3M approved components and subsystems only. Substitutions or replacements made with non approved components or subsystems may jeopardize compatibility of equipment and may affect safety and reliability of the complete system.
- 2.6 COMPATIBILITY OF CONNECTORS:** Connectors are considered to be compatible with connecting elements when they have been designed to work together in such a way that their sizes and shapes do not cause their gate mechanisms to inadvertently open regardless of how they become oriented. Contact 3M if you have any questions about compatibility. Connectors (hooks, carabiners, and D-rings) must be capable of supporting at least 22.2 kN (5,000 lbs). Connectors must be compatible with the anchorage or other system components. Do not use equipment that is not compatible. Non-compatible connectors may unintentionally disengage (see Figure 5). Connectors must be compatible in size, shape, and strength. Self-locking snap hooks and carabiners are required. If the connecting element to which a snap hook or carabiner attaches is undersized or irregular in shape, a situation could occur where the connecting element applies a force to the gate of the snap hook or carabiner (A). This force may cause the gate to open (B), allowing the snap hook or carabiner to disengage from the connecting point (C).
- 2.7 MAKING CONNECTIONS:** Snap hooks and carabiners used with this equipment must be self-locking. Ensure all connections are compatible in size, shape and strength. Do not use equipment that is not compatible. Ensure all connectors are fully closed and locked. 3M connectors (snap hooks and carabiners) are designed to be used only as specified in each product’s user’s instructions. See Figure 6 for examples of inappropriate connections.

Do not connect snap hooks and carabiners:

- A. To a D-ring to which another connector is attached.
- B. In a manner that would result in a load on the gate. Large throat snap hooks should not be connected to standard size D-rings or similar objects which will result in a load on the gate if the hook or D-ring twists or rotates, unless the snap hook is equipped with a 16 kN (3,600 lb) gate.
- C. In a false engagement, where size or shape of the mating connectors are not compatible and, without visual confirmation, the connectors seem fully engaged.
- D. To each other.
- E. Directly to webbing or rope lanyard or tie-back (unless the manufacturer’s instructions for both the lanyard and connector specifically allows such a connection).
- F. To any object which is shaped or dimensioned such that the snap hook or carabiner will not close and lock, or that roll-out could occur.
- G. In a manner that does not allow the connector to align properly while under load.

Table 2 – Inspection Schedule

Type of Use	Application Examples	Conditions of Use	Inspection Frequency
			Competent Person
Infrequent to Light	Rescue and Confined Space, Factory Maintenance	Good Storage Conditions, Indoor or Infrequent Outdoor Use, Room Temperature, Clean Environments	Annually
Moderate to Heavy	Transportation, Residential Construction, Utilities, Warehouse	Fair Storage Conditions, Indoor and Extended Outdoor Use, All Temperatures, Clean or Dusty Environments	Semi-Annually to Annually
Severe to Continuous	Commercial Construction, Oil and Gas, Mining	Harsh Storage Conditions, Prolonged or Continuous Outdoor Use, All Temperatures, Dirty Environment	Quarterly to Semi-Annually

¹ **Authorized Person:** A person assigned by the employer to perform duties at a location where the person will be exposed to a fall hazard.

² **Rescuer:** Person or persons other than the rescue subject acting to perform an assisted rescue by operation of a rescue system.

³ **Competent Person:** An individual designated by the employer to be responsible for the immediate supervision, implementation, and monitoring of the employer’s managed fall protection program who, through training and knowledge, is capable of identifying, evaluating, and addressing existing and potential fall hazards, and who has the employer’s authority to take prompt corrective action with regard to such hazards.

3.0 Installation

- 3.1 PLANNING:** Plan your fall protection system before starting your work. Account for all factors that may affect your safety before, during, and after a fall. Consider all requirements and limitations defined in Section 2.

In most applications, the Nano-Lok SRD can be connected to the anchorage or the harness Dorsal location. Either orientation is allowed; except as noted in Section Section 4

- 3.2 ANCHORAGE:** Figure 7 illustrates typical SRD anchorage connections. Select an anchorage location with minimal free fall and swing fall hazards (see Section 1). Select a rigid anchorage point capable of sustaining the static loads defined in Section 1. Where anchoring overhead is not feasible, Nano-Lok SRDs may be secured to an anchorage point below the level of the user's Dorsal D-Ring. For users up to 140 kg (310 lbs), the anchorage point must not be more than 5 ft (1.5 m) below the Dorsal D-Ring.

- 3.3 HARNESS MOUNTING:** Some SRD models include a Single SRD or Twin SRD Harness Interface for mounting the SRD(s) on a Full Body Harness just below the Dorsal D-Ring:

Some Full Body Harnesses are equipped with a Personal SRD Link (PSRL Link) that integrates the Dorsal D-Ring with attachment elements for Harness Mounted Self-Retracting Devices (Figure 8). It is also acceptable to connect the SRD to the Harness Dorsal D-Ring with a Carabiner or Snaphook.

- **Single SRD Harness Mounting:** Where worker mobility is critical, an SRD Harness Interface can be used to mount the SRD on the back of a Full Body Harness just below the Dorsal D-Ring (see Figure 9). The worker can then connect to varied anchorage points located throughout the site with the Lanyard End of the SRD without repeatedly reinstalling the SRD. To mount the SRD on a Full Body Harness with the SRD Harness Interface:

1. **Loosen the Harness Webbing:** Pull out on the Web Straps (A) where they pass through the bottom of the Dorsal D-Ring (B) until there is sufficient space to slide the SRD Harness Interface between the Web Straps and D-Ring Pad.
2. **Open the Harness Interface:** Push down on the Locking Buttons (C) simultaneously and slide the Locking Pin (D) out.
3. **Position the SRD on the Harness Interface:** Insert the open gate on the Harness Interface through the Swivel Eye on the SRD (E). Thread the Interface through the Swivel Eyes so the SRD hangs from the backbone of the Harness Interface (F).
4. **Position the Harness Interface around the Web Straps:** Position the open gate of the Harness Interface around the loose Web Straps (A).
5. **Close the Harness Interface:** Push the Harness Interface Locking Pin (D) through the loose Web Straps (A) until it locks in place in the opposite end of the Harness Interface. Pull the Web Straps back through the Dorsal D-Ring and Back Pad to secure the Harness Interface.

The Red Band on the knob end of the Harness Interface Locking Pin will be exposed if the Harness Interface is unlocked. To avoid accidental release of the connection, always make sure the Harness Interface is locked before using the Harness and attached SRD. Failure to do so could result in injury or death.

- **Twin SRD Harness Mounting:** In climbing applications where 100% tie-off is required, the SRD Harness Interface can be used to mount two SRDs side-by-side on the back of a Full Body Harness just below the Dorsal D-Ring (see Figure 9) To mount two SRDs on a Full Body Harness with the SRD Harness Interface:

1. **Loosen the Harness Webbing:** Pull out on the Web Straps (A) where they pass through the bottom of the Dorsal D-Ring (B) until there is sufficient space to slide the SRD Harness Interface between the Web Straps and D-Ring Pad.
2. **Open the Harness Interface:** Push down on the Locking Buttons (C) simultaneously and slide the Locking Pin (D) out.
3. **Position the SRDs on the Harness Interface:** Insert the open gate on the Harness Interface through the Swivel Eye on each SRD (E). Thread the Interface through the Swivel Eyes so the SRDs hang from the backbone of the Harness Interface (F).
4. **Position the Harness Interface around the Web Straps:** Position the open gate of the Harness Interface around the loose Web Straps (A).
5. **Close the Harness Interface:** Push the Harness Interface Locking Pin (D) through the loose Web Straps (A) until it locks in place in the opposite end of the Harness Interface. Pull the Web Straps back through the Dorsal D-Ring and Back Pad to secure the Harness Interface.

The Red Band on the knob end of the Harness Interface Locking Pin will be exposed if the Harness Interface is unlocked. To avoid accidental release of the connection, always make sure the Harness Interface is locked before using the Harness and attached SRD. Failure to do so could result in injury or death.

- **Twin SRD Fixed D-Ring Harness Mounting:** Older ExoFit Full Body Harnesses with a Fixed D-Ring require a special SRD Harness Interface to mount two SRDs on the back of the harness just below the Dorsal D-Ring. To mount two SRDs on an ExoFit Full Body Harness with the SRD Fixed D-Ring Harness Interface (Figure 10):
 1. **Loosen the Harness Webbing:** Pull out on the Web Straps (A) where they pass through the bottom of the Dorsal D-Ring (B) until there is sufficient space to insert the SRD Harness Interface between the Web Straps and Back Pad.
 2. **Open the Harness Interface:** With the SRD Harness Interface orientated as illustrated, push the Locking Sleeve (C) to the right and then turn clockwise to unlock the Gate (D). Swing the Gate (D) down to open.
 3. **Thread the first SRD onto the Harness Interface:** Insert the Nose of the Connector (E) through the Swivel Eye (F) on the SRD and then rotate the SRD around to the Gate End of the Connector (G). The Gate can be closed to allow clearance for the Swivel Eye between the Gate and Spine of the Connector.
 4. **Position the Harness Interface around the Web Straps:** Insert the Nose of the Connector (E) behind the Web Straps (A). Rotate the Connector behind the Web Straps until the Connector surrounds the Web Straps.
 5. **Add the second SRD on the Harness Interface:** Slide the SRD's Swivel Eye (F) over the Nose of the Connector (E) and position the SRD Swivel Eye in the Nose End of the Connector.
 6. **Close the Harness Interface:** Allow the Gate (D) to swing closed and the Locking Sleeve (C) to rotate back to locked position. Once the Harness Interface is closed, pull the Web Straps (A) back through the Dorsal D-Ring to eliminate slack in the webbing and secure the Harness Interface between the Web Straps and Back Pad.
- **3M® DBI-SALA® Twin Carabiner:** The 3M® DBI-SALA® Twin Carabiner is designed to mount two Nano-Lok SRDs side-by-side on the back of a Full Body Harness just below the Dorsal D-Ring (see Figure 12). To mount two Nano-Lok SRDs on a Full Body Harness with the Twin Carabiner:
 1. **Loosen the Harness Webbing:** Pull out on the Web Straps (A) where they pass through the bottom of the Dorsal D-Ring (B) until there is sufficient space to slide the Twin Leg Interface between the Web Straps and D-Ring Pad.
 2. **Open the Twin Carabiner:** Push up on the Connector Insert (C) to unsnap the Clamps (D) from the Connector and then swing the Connector Insert up to unlock the Gate. Push the Gate (E) inward to open the Connector.
 3. **Thread the first Nano-Lok SRD onto the Twin Carabiner:** Insert the nose of the Connector (F) through the Swivel Eye (G) on the SRL and then rotate the SRL around to the Gate End of the Connector (H). The Gate can be rotated toward the nose to allow clearance for the Swivel Eye between the Gate and Spine of the Connector.
 4. **Position the Twin Carabiner around the Web Straps:** With the Gate facing up, insert the nose of the Connector (F) behind the Web Straps (A). Rotate the Connector behind the Web Straps until the Connector surrounds the the Web Straps.
 5. **Add the second Nano-Lok SRD on the Twin Carabiner:** Slide the SRL's Swivel Eye (G) over the nose of the Connector (F) and position the SRL Swivel Eye in the nose end of the Connector (F). Swing the Gate (E) closed.
 6. **Close the Twin Carabiner:** Rotate the Connector Insert (C) forward so the Clamps (D) secure on the Connector. When properly closed, the Web Straps should pass through the Webbing Slot (J) at the top of the Connector Insert and the SRL Swivel Eyes should be secured in the Recesses (K) on either side of the Connector Insert. Once the Harness Interface is closed, pull the Web Straps (A) back through the Dorsal D-Ring and D-Ring Pad to eliminate slack in the webbing and secure the Connector between the Web Straps and D-Ring Pad.
- **3M® DBI-SALA® Twin Pin Carabiner:** This harness attachment can be used to mount one Nano-Lok SRL, or two Nano-Lok SRLs in climbing applications (see Figure 11) where 100% tie-off is required:
 1. **Loosen the Harness Webbing:** Pull out on the Web Straps (A) where they pass through the bottom of the Dorsal D-Ring (B) until there is sufficient space to slide the Twin Leg Interface between the Web Straps and D-Ring Pad.
 2. **For single configuration:** Place the swivel eye of a single SRL in the center open space.
 3. **For twin configuration:** place the swivel eye of one SRL in the open space closest to the pin and one SRL in the open space farthest from the pin.
 4. Slide the pin back in place until you hear a click. The pin should be firmly locked in place.
 5. Simultaneously depress the two buttons on the harness side of the connector while sliding the pin out. Sliding this pin out creates an open space.
 6. Pull up a small amount of slack in the webbing directly beneath the dorsal D-Ring on your harness. Place the harness side of the connector beneath the D-Ring.
 7. Slide the pin back in place ensuring that the pin remains beneath both layers of harness webbing until you hear a click. The pin should be firmly locked in place.

4.0 OPERATION

First time or infrequent users of Self-Retracting Devices (SRDs) should review the "Safety Information" at the beginning of this manual prior to use of the SRD.

- 4.1 **BEFORE EACH USE:** Before each use of this fall protection equipment carefully inspect it to assure it is in good working condition. Check for worn or damaged parts. Ensure all bolts are present and secure. Check that the lifeline is retracting properly by pulling out the line and allowing it to slowly retract. If there is any hesitation in retraction the unit should be removed from service and destroyed. Inspect the lifeline for cuts, frays, burns, crushing and corrosion. Check locking action by pulling sharply on the line. See the Inspection and Maintenance Log (Table 3) for inspection details. Do not use if inspection reveals an unsafe condition.
- 4.2 **AFTER A FALL:** Any equipment which has been subjected to the forces of arresting a fall or exhibits damage consistent with the effect of fall arrest forces as described in Table 3, must be removed from service immediately and destroyed.

- 4.3 BODY SUPPORT:** A full body harness must be worn when using SRDs. For general fall protection use, connect to the back (dorsal) D-ring.
- 4.4 MAKING CONNECTIONS:** Figure 5 illustrates harness and anchorage connections for SRD Fall Arrest Systems. When using a hook to make a connection, ensure roll-out cannot occur (see Figure 5). Do not use hooks or connectors that will not completely close over the attachment object. Do not use non-locking snap hooks. The anchorage must meet the anchorage strength requirements stated in Table 2. Follow the manufacturer's instructions supplied with each system component.
- 4.5 OPERATION:** Prior to use, inspect the SRD as described in Table 3. Figure 14 shows system connections for typical SRD applications. Connect the SRD to a suitable anchorage or mount the SRD on the back of a Full Body Harness per the instructions in Section 3. On anchorage connected SRDs, connect the Hook (D) or Carabiner on the Load Indicator to the Dorsal D-Ring (A) on the Full Body Harness. On harness mounted SRDs, connect the Hook (D) or Carabiner to a suitable anchorage. Ensure connections are compatible in size, shape, and strength. Ensure hooks are fully closed and locked. Once attached, the worker is free to move about within the recommended working area at normal speeds. If a fall occurs the SRD will lock and arrest the fall. Upon rescue, remove the SRD from use. When working with an SRD, always allow the lifeline to recoil back into the device under control.
- 4.6 TWIN SRD INTERFACE 100% TIE-OFF:** When two SRDs are mounted side-by-side on the back of a Full Body Harness, the SRD Fall Arrest System can be used for continuous fall protection (100 % tie-off) while ascending, descending, or moving laterally (see Figure 15). With the Lanyard Leg of one SRD attached to an anchorage point, the worker can move to a new location, attach the unused Lanyard Leg of the other SRD to another anchorage point, and then disconnect from the original anchorage point. The sequence is repeated until the worker reaches the desired location. Considerations for Twin SRD 100% tie-off applications include the following:
- Never connect both SRD Lanyards to the same anchorage point (see Figure 16A).
 - Connecting more than one connector into a single anchorage (ring or eye) can jeopardize compatibility of the connection due to interaction between connectors and is not recommended.
 - Connection of each SRD Lanyard to a separate anchorage point is acceptable (Figure 16B).
 - Each connection location must independently support 2,248 lbs (10 kN) or be an engineered system, as with a Horizontal Lifeline.
 - Never connect more than one person at a time to the Twin SRD system (Figure 16C).
 - Do not allow the Lanyards to become tangled or twisted together as this may prevent them from retracting.
 - Do not allow any lanyard to pass under arms or between legs during use.
- 4.7 TWIN SRD DORSAL D-RING MOUNTING:** Models with the Triple action Carabiner can be mounted to the Dorsal D-Ring in a twin configuration. To mount two SRDs on the Dorsal D-Ring of a Harness (Figure 13):
1. **Open the Triple Action Carabiner:** with the Triple Action Carabiner orientated as illustrated, push the Locking Sleeve (C) to the right and then turn clockwise to unlock the Gate (D). Swing the Gate (D) down to open.
 2. **Thread the first SRD onto the Triple Action Carabiner:** insert the Nose of the Connector (E) through the Swivel Eye (F) on the SRD and then rotate the SRD around to the Gate End of the Connector (G). The Gate can be closed to allow clearance for the Swivel Eye between the Gate and Spine of the Connector.
 3. **Add the second SRD on the Triple Action Carabiner:** Slide the SRD's Swivel Eye (F) over the Nose of the Connector (E).
 4. **Thread the Triple Action Carabiner through the D-Ring:** Insert the Nose of the Connector (E) through the Dorsal D-Ring (A). Rotate the Connector through the D-Ring until the gate can be closed .
 5. **Close the Triple Action Carabiner:** Allow the Gate (D) to swing closed and the Locking Sleeve (C) to rotate back to locked position.
- 4.8 HORIZONTAL SYSTEMS:** In applications where the SRD is used in conjunction with a horizontal system (i.e. Horizontal Lifeline, Horizontal I-Beams Trolley), the SRD and horizontal system components must be compatible. Horizontal systems must be designed and installed under the supervision of a qualified engineer. Consult the horizontal system equipment manufacturer's instructions for details.

Fall Clearance values in Figure 4 are based on anchoring to a rigid, stationary anchor point and do not apply to anchoring to a Horizontal Lifeline (HLL) system. Consult the HLL Instruction Manual and HLL Installer to determine required Fall Clearances.

5.0 Inspection

- 5.1 RFID TAG:** The Self-Retracting Device includes a Radio Frequency Identification (RFID) tag (see Figure 17). The RFID tag can be used with the handheld reading device and web based portal to simplify inspection and inventory control and provide records for your fall protection equipment. For details, contact a 3M Customer Service representative (see back cover). Follow the instructions provided with your handheld reader, or on the web portal, to transfer your data to your web log.

5.2 INSPECTION FREQUENCY: The Self-Retracting Device must be inspected at the intervals defined in Section 2. Inspection procedures are described in the "Inspection & Maintenance Log" (Table 3).

Extreme working conditions (harsh environments, prolonged use, etc.) may require increasing the frequency of inspections (see Table 2).

5.2 UNSAFE OR DEFECTIVE CONDITIONS: If inspection reveals an unsafe or defective condition, remove the SRD from service immediately and discard (see Section 6).

Only 3M or parties authorized in writing may make repairs to this equipment.

5.3 PRODUCT LIFE: The functional life of 3M Self-Retracting Devices is determined by work conditions and maintenance. As long as the product passes inspection criteria, it may remain in service (within maximum product life). Maximum product life of SRD with textile web lifelines is not more than 10 years from the date of manufacture.

6.0 MAINTENANCE, SERVICE, and STORAGE

6.1 CLEANING: Cleaning procedures for the SRD are as follows:

- Periodically clean the exterior of the SRD using water and a mild soap solution. Position the SRD so excess water can drain out. Clean labels as required.
- Clean the Web Lifeline with water and mild soap solution. Rinse and thoroughly air dry. Do not force dry with heat. The lifeline should be dry before allowing it to retract into the housing. An excessive buildup of dirt, paint, etc. may prevent the lifeline from fully retracting back into the housing causing a potential free fall hazard.

6.2 SERVICE: SRDs are not repairable. If the SRD has been subjected to fall force or inspection reveals an unsafe or defective condition, remove the SRD from service and discard (see "Disposal").

6.3 STORAGE/TRANSPORT: Store and transport SRDs in a cool, dry, clean environment out of direct sunlight. Avoid areas where chemical vapors may exist. Thoroughly inspect the SRD after any period of extended storage.

6.4 DISPOSAL: Dispose of the SRD if it has been subjected to fall arrest forces or inspection reveals an unsafe or defective condition. Before disposing of the SRD, cut the lifeline in half or otherwise disable the SRD to eliminate the possibility of inadvertent reuse.

7.0 Labels

Figure 22 illustrates labels on the the Self-Retracting Devices and their locations. All labels must be present on the SRD. Labels must be replaced if they are not fully legible. Pictograms on the labels are defined as follows:

1	Inspect snap Hook and Impact Indicator
2	Inspect Locking Action of SRL
3	Correct Way of Connecting SRL to Harness
4	Not sharp edge certified. May be connected to an anchorage point above, below, or level with the dorsal D-ring (140 kg maximum).
5	Temperature Usage Range -40°C – +60°C
6	Maximum Capacity 140 kg
7	Always Allow the Lifeline to Recoil Back Into The SRL Under Control
8	Do Not Repair
9	Store in a cool, dry, clean environment; out of direct sunlight.
10	Do Not Load Over an Edge
11	Do Not Remove Label

Table 3 – Inspection and Maintenance Log

Serial Number(s):	Date Purchased:
Model Number:	Date of First Use:

Inspection Date:	Inspected By:
-------------------------	----------------------

Component:	Inspection: (See Section 2 for <i>Inspection Frequency</i>)	Pass	Fail
SRD (Figure 18)	Inspect for loose fasteners and bent or damaged parts.	<input type="checkbox"/>	<input type="checkbox"/>
	Inspect the Housing (A) for distortion, cracks, or other damage.	<input type="checkbox"/>	<input type="checkbox"/>
	Inspect the Swivel (B) and Swivel Eye (C) or Integral Connector (D) for distortion, cracks, or other damage. The Swivel should be attached securely to the SRL, but should pivot freely. The Swivel Eye or Integral Connector should rotate freely in the Swivel.	<input type="checkbox"/>	<input type="checkbox"/>
	The Web Lifeline (E) should pull out and retract fully without hesitation or creating a slack line condition.	<input type="checkbox"/>	<input type="checkbox"/>
	Ensure the SRD locks up when the Lifeline is jerked sharply. Lockup should be positive with no slipping.	<input type="checkbox"/>	<input type="checkbox"/>
	All labels must be present and fully legible (see Figure 20).	<input type="checkbox"/>	<input type="checkbox"/>
	Inspect the entire SRD for signs of corrosion.	<input type="checkbox"/>	<input type="checkbox"/>
End Connectors (Figure 19)	Table 2 identifies the End Connectors that should be included on your Nano-Lok SRD model. Inspect all Snap Hooks, Carabiners, Rebar Hooks, Interfaces, etc. for signs of damage, corrosion, and proper working condition. Where present: Gates should open, close, lock, and unlock properly, and Locking Buttons and Locking Pins should function correctly.	<input type="checkbox"/>	<input type="checkbox"/>
Web Lifeline (Figure 20)	Inspect webbing; material must be free of cuts (A), frays (B), or broken fibers. Check for tears, abrasions, heavy soiling (C), mold, burns (D), or discoloration. Inspect stitching; Check for pulled or cut stitches. Broken stitches may be an indication that the harness has been impact loaded and must be removed from service.	<input type="checkbox"/>	<input type="checkbox"/>
Energy Absorber (Figure 21)	Verify that the integral Energy Absorber has not been activated. An open cover or torn cover (A), webbing pulled out of the cover, torn or frayed webbing (B), ripped stitching, etc. are indicators of an activated Energy Absorber.	<input type="checkbox"/>	<input type="checkbox"/>

Corrective Action/Maintenance:	Approved By:
	Date:
Corrective Action/Maintenance:	Approved By:
	Date:
Corrective Action/Maintenance:	Approved By:
	Date:
Corrective Action/Maintenance:	Approved By:
	Date:
Corrective Action/Maintenance:	Approved By:
	Date:
Corrective Action/Maintenance:	Approved By:
	Date:
Corrective Action/Maintenance:	Approved By:
	Date:

ИНФОРМАЦИЯ ЗА БЕЗОПАСНОСТ

Моля, преди да използвате това самоприбиращо се устройство (SRD), прочетете, разберете и следвайте цялата информация за безопасност, съдържаща се в тези инструкции. **НЕСПАЗВАНЕТО НА ИНСТРУКЦИИТЕ МОЖЕ ДА ДОВЕДЕ ДО СЕРИОЗНИ НАРАНЯВАНИЯ ИЛИ СМЪРТ.**

Тези инструкции трябва да бъдат предоставени на потребителя на това оборудване. Запазете тези инструкции за бъдещи справки.

Предназначение:

Това самоприбиращо се устройство е предназначено за използване като част от цялостна система за лична защита срещу падане.

Употребата му за друго предназначение, включително, но не само, обработка на материали, развлекателни или спортни дейности, или други дейности, които не са описани в инструкциите за потребителя, не е одобрено от ЗМ и може да доведе до сериозни наранявания или смърт.

Това устройство трябва да се използва само от обучени потребители за използване на работното място.

! ПРЕДУПРЕЖДЕНИЕ

Това самоприбиращо се устройство е част от система за лична защита срещу падане. Очаква се всички потребители да бъдат напълно обучени относно безопасното инсталиране и експлоатация на тяхната система за лична защита срещу падане. **Неправилното използване на това устройство може да доведе до сериозно нараняване или смърт.** За правилен избор, експлоатация, инсталиране, поддръжка и сервиз, направете справка с тези инструкции за потребителя и всички препоръки на производителя, обърнете се към Вашия ръководител или се свържете с техническата служба на ЗМ.

- **За намаляване на рисковете, свързани с работата със SRD, които, ако не бъдат избегнати, могат да доведат до сериозни наранявания или смърт:**
 - Преди всяка употреба преглеждайте SRD и проверявайте правилното заключване и прибиране.
 - Ако проверката покаже, че SRD е несигурно или дефектно, извадете устройството от употреба и го поправете или заменете в съответствие с инструкциите за потребителя.
 - Ако SRD е било използвано за височинна защита или е било подложено на сила на удар, незабавно го извадете от експлоатация и маркирайте SRD като „ДА НЕ СЕ ИЗПОЛЗВА“.
 - Уверете се, че осигурителната линия се поддържа свободна от всякакви препятствия, включително, но не само; заплитане с движещи се машини или оборудване (напр. най-горното задвижване на нефтени платформи), други работници, Вие, околните предмети или удари от падащи предмети, които могат да паднат върху осигурителната линия или работника.
 - Никога не допускате разхлабване на осигурителната линия. Никога не връзвайте или не използвайте възли по осигурителната линия.
 - Прикачете неизползвания(-те) край(-ища) на SRD, монтирано на раменно-бедрения колан към устройството(-та) за прикачване на обезопасителното въже върху раменно-бедрени колани, ако има такива.
 - Не използвайте в приложения, които имат препятствия по пътя на падане. Работата върху бавно изместващ се материал, като пясък или зърно, или в ограничени или тесни пространства, може да не позволи на работника да достигне достатъчна скорост, за да се задейства заключването на SRD. Необходима е ясна траектория за осигуряване на положително заключване на SRD.
 - Избягвайте внезапни или бързи движения по време на нормална работа. Това може да предизвика заключване на устройството.
 - Уверете се, че системите/подсистемите за защита срещу падане, сглобени от компоненти, произведени от различни производители, са съвместими и отговарят на изискванията на приложимите стандарти, включително на документа ANSI Z359 на Американския национален институт за стандарти (American National Standards Institute – [ANSI]), или на другите приложими закони, стандарти или изисквания за защита срещу падане. Преди да използвате тези системи, винаги се консултирайте с компетентно или квалифицирано лице.
 - по време на
 - **За намаляване на рисковете, свързани с работата на височина, които, ако не бъдат избегнати, могат да доведат до сериозни наранявания или смърт:**
 - Уверете се, че Вашето здраве и физическо състояние Ви позволяват да издържите безопасно на всички натоварвания, свързани с работа на височина. Консултирайте се с Вашия лекар, ако имате въпроси относно способността Ви да използвате това оборудване.
 - Никога не надвишавайте допустимия капацитет на Вашето оборудване за защита срещу падане.
 - Никога не надвишавайте определеното максимално разстояние за свободно падане на Вашето оборудване за защита срещу падане.
 - Не използвайте оборудване за защита срещу падане, което не отговаря на предварителната проверка за употреба или на други планирани проверки, или ако имате притеснения относно използването или пригодността на оборудването за Вашата работа. За всякакви въпроси се свържете с техническата служба на ЗМ.
 - Някои комбинации от подсистеми и компоненти могат да попречат на работата на това оборудване. Използвайте само съвместими връзки. Преди да използвате това оборудване в комбинация с компоненти или подсистеми, различни от описаните в инструкциите за потребителя, се консултирайте с ЗМ.
 - Прилагайте допълнителни предпазни мерки, когато работите около движещи се машини (напр. горно задвижване на нефтени платформи), опасности, свързани с използването на електроенергия, екстремни температури, химически опасности, експлозивни или токсични газове, остри ръбове или под материали, които могат да паднат върху Вас или върху оборудването за защита срещу падане.
 - Когато работите в среда с висока температура, използвайте предпазни устройства Arc Flash или Hot Works.
 - Избягвайте повърхности и предмети, които могат да причинят травми на потребителя или повреди по оборудването.
 - Уверете се, че има достатъчно пространство за свободно падане при работа на височина.
 - Никога не правете промени или изменения на Вашето оборудване за защита срещу падане. Само ЗМ или страни, писмено упълномощени от ЗМ могат да извършват ремонт на оборудването.
 - Преди да използвате оборудване за защита срещу падане, уверете се, че има план за спасяване, който позволява бързо спасяване, ако се случи инцидент, свързан с падане.
- Ако се случи инцидент, свързан с падане, незабавно потърсете медицинска помощ за падналият работник.
- Не използвайте колан, поставен на тялото, за спиране на падането. Използвайте само Full Body Harness (предпазен колан за цялото тяло).
 - Минимизирайте паданията със завъртане, като работите директно под точката на закрепване, доколкото е възможно.
 - При обучение с това устройство трябва да се използва вторична система за защита срещу падане по начин, който не излага обучаващия се на непредвидена опасност от падане.
 - Когато инсталирате, използвате или проверявате устройството/системата, винаги носете подходящи лични предпазни средства.

Преди употреба на това оборудване, запишете идентификационната информация за продукта от идентификационния етикет в „Дневника за проверка и поддръжка“ на гърба на това ръководство.

ОПИСАНИЕ:

Фигура 2 идентифицира ключовите компоненти на 3M™ DBI-SALA® Nano-Lok самонавиващи се блокиращи устройства (SRD). Nano-Lok SRD са ремъчни осигурителни линии, навити на барабан (A) с вграден гасител на енергията (B), който се прибира в найлонов корпус (C). Шарнирното око (D) в горната част на корпуса позволява прикачване към валидна закотвяща точка за свързване с карабинер (E) или монтиране на раменно-бедрен колан за цяло тяло с интерфейс за раменно-бедрен колан (F). Фигура 1 идентифицира наличните Nano-Lok модели и техните конфигурации на конектора. За спецификациите на Nano-Lok SRD и конекторите вижте таблица 1.

Таблица 1 – Спецификации

Спецификации на компонентите:

SRL Корпуси	Найлон
Барабан	Найлон
Вътрешни компоненти	Неръждаема стомана, алуминий
Ремъчна осигурителна линия	Полиестер Дупеета
Гасител на енергията	Капак: Нитрилна гума, ремък: Полиестер, шевове: Полиестерен или найлонов конец
Шарнирно съединение	Поцинкована стомана

Спецификации на конекторите:

	Описание	Материали	Отвор на муфа	Сила на муфа	Издръжливост на опън
①	Шарнирно око	Стомана	22,35 мм (0,88 инча) вътрешен диаметър	X	22,2 kN (5000 lbs)
②	Карабинер	Алуминий	19 мм (3/4 инча)	16 kN (3600 lbs)	22,2 kN (5000 lbs)
③	Карабинер	Стомана	19 мм (3/4 инча)	16 kN (3600 lbs)	22,2 kN (5000 lbs)
④	Интерфейс на единично SRD	Стомана	51 мм (2 инча)	16 kN (3600 lbs)	22,2 kN (5000 lbs)
⑤	Интерфейс на двойно SRD	Стомана с найлонова вложка	19 мм (3/4 инча)	16 kN (3600 lbs)	22,2 kN (5000 lbs)
⑥	Карабинер	Алуминий, стомана	56 мм (2,19 инча)	16 kN (3600 lbs)	22,2 kN (5000 lbs)
⑦	Карабинер	Алуминий	19 мм (3/4 инча)	16 kN (3600 lbs)	22,2 kN (5000 lbs)
⑧	Кука Rebar	Алуминий	57 мм (2-1/4 инча)	16 kN (3600 lbs)	22,2 kN (5000 lbs)
⑨	Кука Rebar	Алуминий	63 мм (2-1/2 инча)	16 kN (3600 lbs)	22,2 kN (5000 lbs)
⑩	Карабинер	Алуминий	52 мм (2 инча)	16 kN (3600 lbs)	22,2 kN (5000 lbs)
⑪	Кука Rebar	Алуминий, стомана	63 мм (2-1/2 инча)	16 kN (3600 lbs)	22,2 kN (5000 lbs)
⑫	Карабинер	Стомана	19 мм (3/4 инча)	16 kN (3600 lbs)	22,2 kN (5000 lbs)
⑬	Кука Rebar	Алуминий	57 мм (2-1/4 инча)	16 kN (3600 lbs)	22,2 kN (5000 lbs)
⑭	Карабинна кука	Стомана	19 мм (3/4 инча)	16 kN (3600 lbs)	22,2 kN (5000 lbs)

Експлоатационни характеристики:

Спецификации на SRL (вертикално)	SE модели	
Обхват на капацитета	59 кг - 100 кг (130 lbs - 220 lbs)	100 кг - 140 кг (220 lbs - 310 lbs)
Максимална сила на спиране	6 kN (1350 lbs)	6 kN (1350 lbs)
Средна сила на спиране	4 kN (900 lbs)	4 kN (900 lbs)
Заявено максимално разстояние на спиране¹	0,61 м (24 инча)	0,61 м (24 инча)
Задължителен минимален клирънс при падане¹	1,5 м (5 фута)	1,8 м (5,8 фута)
Максимално свободно падане²	1,5 м (5 фута)	1,5 м (5 фута)

¹ - Предполага, че SRL е монтирано директно отгоре (над главата) на крайния потребител.

² - Измерено от D-образния пръстен на потребителя до повърхността за ходене/работа. За подробности вижте таблицата(ите) за клирънс при падане.

1.0 ПРИЛОЖЕНИЯ

- 1.1 ЦЕЛ:** Самоприбиращите се устройства (SRD) са предназначени за компоненти на система за лична височинна защита (PFAS). Фигура 1 илюстрира SRD, за които се отнася това ръководство. Те могат да се използват в повечето ситуации, в които е необходима комбинация от мобилност на работника и защита срещу падане (като работа, свързана с проверки, общи строителни дейности, работа, свързана с поддръжка, производство на масла, работа в затворени помещения и др.).
- 1.2 СТАНДАРТИ:** Вашето SRD отговаря на националните или регионалните стандарти, посочени на предната страна на тези инструкции. Вижте местните, щатските и федералните изисквания относно безопасността [Occupational Safety and Health Administration – (OSHA)] при работа за допълнителна информация относно личната защита срещу падане.
- 1.3 ОБУЧЕНИЕ:** Това оборудване е предвидено да се използва от лица, обучени за правилното му приложение и използване. Потребителят носи отговорност да се увери, че е запознат с тези инструкции и е обучен за правилната грижа и употреба на това оборудване. Потребителят трябва също да е запознат с експлоатационните характеристики, ограниченията за приложение и последиците от неправилната употреба.
- 1.4 ОГРАНИЧЕНИЯ:** Винаги имайте предвид следните ограничения, когато монтирате или използвате това оборудване:

- **Капацитет:** Самоприбиращите се устройства са предназначени за употреба от едно лице, чието общо тегло (облекло, инструменти и т.н.) отговаря на *Диапазона за капацитет*, посочен във фигура 1. Уверете се, че всички компоненти във Вашата система са с капацитет, подходящ за приложението Ви.
- **Закрепване:** Структурата за закрепване на SRD трябва да може да поддържа натоварвания до 12 kN (2 697 lbs). Закрепващите устройства трябва да съответстват на EN795 или на други приложими стандарти за конектори за закрепване.
- **Скорост на заключване:** Трябва да се избягват ситуации, които не позволяват безпрепятствено падане. Работата в затворени или тесни пространства, или на наклонена повърхност в случай на падане, може да не позволи на тялото да достигне достатъчната скорост на падане, която да предизвика заключване на SRD. Работата с бавно изместващ се материал, като пясък или зърно, може да не позволи достатъчно набиране на скоростта, която да доведе до заключване на SRD. Необходима е ясна траектория за осигуряване на положително заключване на SRD.
- **Свободно падане** Когато се закрепят над главата, SRD ще ограничат разстоянието на свободно падане до 0,6 м (2 фута).¹ За избягване на увеличени разстояния на падане, закрепете SRD директно над работното ниво. Никога не свързвайте SRD към закотвяща точка, която ще създаде свободно падане от височина, по-голяма от 1,5 м (5 фута). Да се избягва работата на места, където Вашата осигурителна линия може да се пресече или заплете с осигурителната линия на друг работник. Да се избягва работа, при която даден предмет може да падне и да удари осигурителната линия, което ще доведе до загуба на равновесие или повреда на осигурителната линия. Не допускайте осигурителната линия да минава над ръцете или между краката. Никога не затягвайте, не връзвайте на възел и не възпрепятствайте прибирането или опъването на осигурителната линия. Избягвайте разхлабване на линията. **Не удължавайте SRD, като свързвате колан или подобен компонент, без да се консултирате с 3M.**
- **Въртеливи движения:** Въртеливите движения се появяват, когато точката на закрепване не е точно над точката, където се случва падането. Силата на удара с предмет при въртеливо движение може да причини сериозно нараняване (вижте Фигура 3А). Минимизирайте въртеливото движение, като работите директно под точката на закрепване, доколкото е възможно (фигура 3В). Отдалечаването от точката на закрепване (фигура 3С) ще увеличи въздействието на въртеливото движение и ще увеличи необходимия клирънс при падане (FC).
- **Клирънс при падане:** Фигура 3 показва изчислението на клирънса при падане. Клирънс при падане (FC) е сумата от свободното падане (FF), разстоянието на забавяне (DD) и фактора за безопасност (SF): $FC = FF + DD + SF$. D-образният пръстен и разтегливостта на раменно-бедрения колан са включени във фактора за безопасност. На фигура 4 е изчислена и показана стойността на клирънса при падане. За всички стойности от фигура 4 е използван фактор за безопасност 1 м (3,28 фута).

Фигура 4 илюстрира клирънс при падане (FC) на базата на хоризонталното (H) и вертикалното (V) разстояние между дорсалната SRD връзка и закотвящата точка. Всяка линия на хоризонтална мрежа на графиката(-ите) представлява вертикално разстояние от закотвящата точка. Всяка линия на вертикалната мрежа представлява вертикално разстояние от закотвящата точка. Стойността на клирънс при падане (FC) се определя от зоната (параболните линии), в която се пресичат хоризонталната (H) и вертикалната (V) мрежа. Примерът на фигура 4 показва как да се определи необходимата стойност за клирънс при падане (FC) за посочените вертикални (V) и хоризонтални (H) разстояния.

Променливи закотвящи точки: Клирънсите при падане на фигура 4 се основават на твърда неподвижна закотвяща точка. Ако се закрепва към хоризонтална осигурителна линия (HLL) или закотвяща точка, която може да се движи, плъзга или деформира по време на падане, стойностите за клирънс при падане от фигура 4 няма да се използват. Направете справка с инструкциите за HLL или закотвящите точки за допълнителни подробности относно необходимите клирънси при падане, отклонения и/или деформации при падане.

В поза на колена или в приклепнала поза: Графиките за клирънс на фигура 4 предполагат, че работникът е в изправено положение. Ако работникът ще работи коленичил или приклепнал, се изискват допълнителни 0,9 м (3 фута) от клирънс при падане.

Никога не закотвяйте под краката: Никога не свързвайте към място за закотвяне под Вашите крака.

- **Опасности:** Използването на това оборудване в зони с опасности за обкръжаващата среда може да изисква допълнителни предпазни мерки, за да се намали възможността от нараняване на потребителя или повреда на оборудването. Опасностите могат да включват, но не се ограничават до: силна топлина, разяждащи химикали, корозивни среди, електропроводи с високо напрежение, експлозивни или токсични газове, движещи се машини или материали, които могат да паднат върху и да се допрат до потребителя или личната система за височинна защита. Да се избягва работата на места, където Вашата осигурителна линия може да се пресече или заплете с такава на друг работник. Да се избягва работа, при която даден предмет може да падне и да удари осигурителната линия; което ще доведе до загуба на равновесие или повреда на осигурителната линия. Не допускайте осигурителната линия да минава над ръцете или между краката.

¹ **Свободно падане:** Правилното прилагане на SRD, при което потребителят работи директно под закотвящата точка и без разхлабване на осигурителната линия, ще елиминира свободното падане. Вижте фигура 4 за приемливи места за закрепване.

- **Остри ръбове:** Острите ръбове, с които SRD може да влезе в контакт по време на падане, трябва да имат минимален радиус от 0,3 см (0,125 инча). Когато контактът с остър ръб е неизбежен, покрийте ръба със защитен материал.

2.0 Предназначение на системата

- 2.1 ПЛАН ЗА ЗАЩИТА СРЕЩУ ПАДАНЕ И СПАСИТЕЛЕН ПЛАН:** Работодателят трябва да разполага с план за защита срещу падане и спасителен план. Планът трябва да предоставя насоки и изисквания за управление на програмата за височинна защита на работодателя, включително политиките, задълженията и обучението; процедурите за защита срещу падане; елиминирането и управлението на опасностите от падане; процедурите за спасяване; разследване на инциденти; и оценка на ефективността на програмата.
- 2.2 ЧЕСТОТА НА ПРОВЕРКИТЕ:** Преди всяка употреба SRD трябва да се проверяват от упълномощено лице¹ или от служител по сигурността² (вижте таблица 3). Освен това проверки трябва да се извършват от компетентно лице,³ различно от потребителя. Екстремните работни условия (тежки условия, продължителна употреба и др.) може да налагат по-чести проверки от страна на компетентните лица. Компетентното лице трябва да използва *Таблица за проверка (таблица 2)* за определяне на подходящите интервали за проверка. Процедурите по проверката са описани в *Дневника за проверка и поддръжка (таблица 3)*. Резултатите от всяка проверка от компетентно лице трябва да бъдат записани в *Дневник за проверка и поддръжка* или в системата за радиочестотна идентификация (RFID) (вижте *раздел 5*).
- 2.3 НОРМАЛНА РАБОТА:** Нормалната работа ще позволи на осигурителната линия да се разширява и прибира без колебание или разхлабване, докато работникът се движи с нормална скорост. В случай на падане, ще се активира спирачна система с измерване на скоростта, която ще спре падането и ще поеме голяма част от създадената енергия. При нормална работа трябва да се избягват внезапни или бързи движения, тъй като това може да доведе до заключване на SRD. За падания, които се случват близо до края на движението на осигурителната линия, е въведена система за резервна осигурителна линия или енергиен абсорбер за намаляване на силите на задържане при падане.
- 2.4 СБРУИ И КОЛАНИ:** Със самоприбиращото се устройство трябва да се използват раменно-бедрени колани. Точката на свързване на раменно-бедрени колан трябва да е над центъра на тежестта на потребителя. Със самоприбиращото се устройство не е разрешено да се използва колан за тяло. В случай на падане, когато се използва колан за тяло, това може да доведе до случайно освобождаване или физическа травма от неподходящите сбруи и колани.
- 2.5 СЪВМЕСТИМОСТ НА КОМПОНЕНТИТЕ:** Оборудването на ЗМ е предназначено за употреба само с компоненти и подсистеми, одобрени от ЗМ, освен ако не е посочено друго. Подмени или замени, извършени с неодобрени компоненти или подсистеми, могат да застрашат съвместимостта на оборудването и да повлияят на безопасността и надеждността на цялата система.
- 2.6 СЪВМЕСТИМОСТ НА КОНЕКТОРИТЕ:** Конекторите се разглеждат като съвместими със свързващите елементи, когато са проектирани да работят заедно така, че техните размери и форми да не предизвикват неволно отваряне на механизмите им за затваряне, независимо от начина, по който са ориентирани. Свържете се с ЗМ, ако имате някакви въпроси относно съвместимостта. Конекторите (куките, карабинерите и D-образните пръстени) трябва да могат да поддържат поне 22,2 kN (5 000 lbs). Конекторите трябва да са съвместими с крепежните елементи или другите компоненти на системата. Не използвайте оборудване, което не е съвместимо. Несъвместимите конектори може неволно да се освободят (вижте фигура 5). Конекторите трябва да са съвместими по размер, форма и сила. Необходими са самозаклучващи се обезопасени куки и карабинери. Ако свързващият елемент, към който е прикрепена куката или карабинера, е с по-малък размер или с неправилна форма, може да възникне ситуация, при която свързващият елемент прилага сила към муфата на обезопасената кука или карабинера (А). Тази сила може да доведе до отваряне на муфата (Б), като позволи на обезопасената кука или карабинера да се освободят от точката на свързване (В).
- 2.7 СЪЗДАВАНЕ НА ВРЪЗКИ:** Използвайте само самозаклучващи се обезопасени куки и карабинери с това оборудване. Уверете се, че всички връзки са съвместими по размер, форма и сила. Не използвайте оборудване, което не е съвместимо. Уверете се, че всички конектори са напълно затворени и заключени. ЗМ конекторите (обезопасени куки и карабинери) са предназначени да се използват само според инструкциите на потребителя. Вижте Фигура 6 за примери за неподходящи връзки.
- Обезопасените куки и карабинери не трябва да се свързват:
- Към D-образен пръстен, към който е прикрепен друг конектор.
 - По начин, който би довел до натоварване на муфата. Големите куки за затваряне на гърлото не трябва да се свързват със стандартни размери D-образни пръстени или подобни предмети, които ще доведат до натоварване на муфата, ако куката или D-образните пръстени се усучат или завъртят, освен ако куката не е оборудвана с муфа 16 kN (3 600 lb).
 - При фалшиво свързване, когато размерът или формата на свързващите конектори не са съвместими и без визуална проверка конекторите изглеждат добре свързани.
 - Един към друг.
 - Директно към ремъците или обезопасителния колан или обтежката (освен ако инструкциите на производителя за обезопасителния колан и конектора изрично позволяват такава връзка).
 - Към всеки обект, който е оформен или оразмерен така, че обезопасената кука или карабинерът да не се затварят и заключват, или да се появи навиване.
 - По начин, който не позволява конекторът да се подравнява правилно, докато е натоварен.

Таблица 2 – График за проверка

Вид употреба	Примери за приложение	Условия за употреба	Честота на проверките
			Компетентно лице
Рядко до леко	Спасително и затворено пространство, фабрична поддръжка	Добри условия за съхранение, вътрешна или рядка употреба на открито, стайна температура, чиста среда	Годишно
Умерено до тежко	Транспорт, строителство, комунални услуги, склад	Подходящи условия за съхранение, вътрешна и удължена употреба на открито, всички температури, чисти или прашни среди	От половин годишно до годишно
Тежко до продължително	Строителство, нефт и газ, минно дело	Тежки условия на съхранение, продължителна или непрекъснатата употреба на открито, всички температури, замърсена среда	От тримесечие до половин година

1 Упълномощено лице: Лице, назначено от работодателя да изпълнява задълженията си на място, където ще бъде изложено на опасност от падане.

2 Спасител: Лице или лица, различни от тези, които ще бъдат спасявани, които изпълняват подпомогната спасителна дейност чрез системите за евакуация.

3 Компетентно лице: Лице, назначено от работодателя, което носи отговорност за непосредствения надзор, изпълнение и наблюдение на управляваната от работодателя програма за височинна защита, което посредством обучение и знания може да определи, оцени и реши съществуващи и потенциални опасности от падане, и което разполага с пълномощие от работодателя да предприема бързи корективни действия по отношение на такива опасности.

3.0 Монтаж

- 3.1 ПЛАНИРАНЕ:** Преди да започнете работа, планирайте своята система за защита срещу падане. Отчетете всички фактори, които могат да повлияят на безопасността ви преди, по време и след падане. Вземете под внимание всички изисквания и ограничения, посочени в Раздел 2.

В повечето приложения, Nano-Lok SRD може да бъде свързано към закотвящото устройство или дорсалния раменно-бедрения колан. Допуска се всякаква ориентация; с изключение на посоченото в Раздел 4

- 3.2 ЗАКОТВЯЩИ УСТРОЙСТВА:** Фигура 7 илюстрира типични връзки за закотвяне на SRD. Изберете място за закотвящото устройство с минимално свободно падане и опасност от въртливо движение (вижте Раздел 1). Изберете неподвижна точка за закотвящото устройство, която може да издържи статичните натоварвания, посочени в Раздел 1. Там, където не е възможно да се закрепят отгоре, Nano-Lok SRD могат да бъдат закрепени към закотвяща точка под нивото на дорсалния D-образен пръстен на потребителя. За потребители до 140 кг (310 lbs), закотвящата точка не трябва да бъде повече от 5 фута (1,5 м) под дорсалния D-образен пръстен.

- 3.3 МОНТАЖ НА РАМЕННО-БЕДРЕНИТЕ КОЛАНИ:** Някои SRD модели включват единичен SRD или двоен SRD интерфейс за раменно-бедрени колани за монтаж на SRD устройствата на раменно-бедрените колани за цяло тяло точно под дорсалния D-образен пръстен:

Някои раменно-бедрени колани за цяло тяло са снабдени с лична SRD връзка (PSRL Link), която интегрира дорсалния D-образен пръстен с прикачване на самонавиващи се блокиращи устройства, монтирани на раменно-бедрени колани (Фигура 8). Също така е приемливо SRD да се свърже с дорсалния D-образен пръстен на раменно-бедрения колан с карабинер или кука с карабинер.

- **Монтаж на раменно-бедрен колан с единично SRD:** Там, където мобилността на работниците е от решаващо значение, може да се използва SRD интерфейс за раменно-бедрени колани, за да се монтира SRD на гърба на раменно-бедрения колан за цяло тяло точно под дорсалния D-образен пръстен (вижте Фигура 9). Работникът може след това да се свърже с различни закотвящи точки, разположени по целия обект с края на колана на SRD, без многократно повторно монтиране на SRD. За да монтирате SRD на раменно-бедрен колан за цяло тяло със SRD интерфейса за раменно-бедрения колан:
 - 1. Разхлабете ремъците на раменно-бедрения колан:** Издърпайте текстилните ремъци (A) където те преминават през дъното на дорсалния D-образен пръстен (B), докато има достатъчно пространство, за да плъзнете SRD интерфейса на раменно-бедрения колан между текстилните ремъци и подложката на D-образния пръстен.
 - 2. Отворете интерфейса на раменно-бедрения колан:** Натиснете едновременно бутоните за заключване (C) и плъзнете заключващия щифт (D).
 - 3. Позиционирайте SRD върху интерфейса на раменно-бедрения колан:** Вмъкнете отворената муфа в интерфейса на раменно-бедрения колан през шарнирното око на SRD (E). Прокарайте интерфейса през шарнирните очи, така че SRD да виси от гръбнака на интерфейса на раменно-бедрения колан (F).
 - 4. Поставете интерфейса на раменно-бедрения колан около текстилните ремъци:** Позиционирайте отворената муфа на интерфейса на раменно-бедрения колан около разхлабените текстилни ремъци (A).
 - 5. Затворете интерфейса на раменно-бедрения колан:** Натиснете заключващия щифт на интерфейса на раменно-бедрения колан (D) през разхлабените текстилни ремъци (A) докато се фиксира на противоположния край на интерфейса на раменно-бедрения колан. Издърпайте текстилните ремъци назад през дорсалния D-образен пръстен и подложката за гръб, за да закрепите интерфейса на раменно-бедрения колан.

Червената лента на края на копчето на заключващия щифт на интерфейса на раменно-бедрения колан ще бъде изложена, ако интерфейсът на раменно-бедрения колан е отключен. За да избегнете случайно освобождаване на връзката, винаги се уверявайте, че интерфейсът на раменно-бедрения колан е заключен, преди да използвате раменно-бедрения колан и прикрепеното SRD. Неспазването на инструкциите може да доведе до наранявания или смърт.

- **Монтаж на раменно-бедрен колан с двойно SRD:** При катерене, където се изисква 100% обтяжка, SRD интерфейсът на раменно-бедрения колан може да бъде използван за монтиране на две SRD едно до друго на гърба на раменно-бедрения колан за цяло тяло точно под дорсалния D-образен пръстен (вижте Фигура 9). За да монтирате две SRD на раменно-бедрен колан за цяло тяло с SRD интерфейс на раменно-бедрен колан:
 - 1. Разхлабете ремъците на раменно-бедрения колан:** Издърпайте текстилните ремъци (A) където те преминават през дъното на дорсалния D-образен пръстен (B), докато има достатъчно пространство, за да плъзнете SRD интерфейса на раменно-бедрения колан между текстилните ремъци и подложката на D-образния пръстен.
 - 2. Отворете интерфейса на раменно-бедрения колан:** Натиснете едновременно бутоните за заключване (C) и плъзнете заключващия щифт (D).
 - 3. Позиционирайте SRD устройствата върху интерфейса на раменно-бедрения колан:** Прокарайте отворената муфа на интерфейса на раменно-бедрения колан през шарнирното око на всяко SRD (E). Прокарайте интерфейса през шарнирните очи, така че SRD устройствата да висят от гръбнака на интерфейса на раменно-бедрения колан (F).
 - 4. Поставете интерфейса на раменно-бедрения колан около текстилните ремъци:** Позиционирайте отворената муфа на интерфейса на раменно-бедрения колан около разхлабените текстилни ремъци (A).
 - 5. Затворете интерфейса на раменно-бедрения колан:** Натиснете заключващия щифт на интерфейса на раменно-бедрения колан (D) през разхлабените текстилни ремъци (A) докато се фиксира на противоположния край на интерфейса на раменно-бедрения колан. Издърпайте текстилните ремъци назад през дорсалния D-образен пръстен и подложката за гръб, за да закрепите интерфейса на раменно-бедрения колан.

Червената лента на края на копчето на заключващия щифт на интерфейса на раменно-бедрения колан ще бъде изложена, ако интерфейсът на раменно-бедрения колан е отключен. За да избегнете случайно освобождаване на връзката, винаги се уверявайте, че интерфейсът на раменно-бедрения колан е заключен, преди да използвате раменно-бедрения колан и прикрепеното SRD. Неспазването на инструкциите може да доведе до наранявания или смърт.

- **Монтаж на двойно SRD на раменно-бедрен колан с фиксиран D-образен пръстен:** По-старите раменно-бедрени колани за цяло тяло на ExoFit с фиксиран D-образен пръстен изискват специален SRD интерфейс за раменно-бедрени колани за монтирането на две SRD на гърба на раменно-бедрения колан точно под дорсалния D-образен пръстен. За монтиране на две SRD на раменно-бедрен колан за цяло тяло ExoFit с SRD интерфейс на раменно-бедрен колан с фиксиран D-образен пръстен (Фигура 10):
 1. **Разхлабете ремъците на раменно-бедрения колан:** Издърпайте текстилните ремъци (A) където те преминават през дъното на дорсалния D-образен пръстен (B), докато има достатъчно пространство, за да вмъкнете SRD интерфейса на раменно-бедрения колан между текстилните ремъци и подложката за гръб.
 2. **Отворете интерфейса на раменно-бедрения колан:** С помощта на SRD интерфейса на раменно-бедрения колан, ориентиран както е показано, натиснете заключващия ръкав (C) надясно и след това завъртете по часовниковата стрелка, за да отключите муфата (D). Завъртете муфата (D) надолу, за да се отвори.
 3. **Прокарайте първото SRD върху интерфейса на раменно-бедрения колан:** Поставете носа на конектора (E) през шарнирното око (F) на SRD и след това завъртете SRD около края на муфата на конектора (G). Муфата може да бъде затворена, за да се даде възможност за клирънс на шарнирното око между муфата и гръбнака на конектора.
 4. **Поставете интерфейса на раменно-бедрения колан около текстилните ремъци:** Вмъкнете носа на конектора (E) зад текстилните ремъци (A). Завъртете конектора зад текстилните ремъци докато конектора обгърне текстилните ремъци.
 5. **Добавете второто SRD на интерфейса на раменно-бедрения колан:** Плъзнете шарнирното око на SRD (F) над носа на конектора (E) и позиционирайте шарнирното око на SRD в края на носа на конектора.
 6. **Затворете интерфейса на раменно-бедрения колан:** Оставете муфата (D) да се затвори и заключващият ръкав (C) да се завърти обратно до заключено положение. След като интерфейсът на раменно-бедрения колан е затворен, издърпайте текстилните ремъци (A) назад през дорсалния D-образен пръстен, за да елиминирате хлабината в ремъците и да закрепите интерфейса на раменно-бедрения колан между текстилните ремъци и подложката за гръба.
- **3M® DBI-SALA® Двоен карабинер:** Двойният карабинер 3M® DBI-SALA® е проектиран да монтира две Nano-Lok SRD едно до друго на гърба на раменно-бедрения колан за цяло тяло точно под дорсалния D-образен пръстен (вижте Фигура 12). За да монтирате две Nano-Lok SRD на раменно-бедрен колан за цяло тяло с двоен карабинер:
 1. **Разхлабете ремъците на раменно-бедрения колан:** Издърпайте текстилните ремъци (A) където те преминават през дъното на дорсалния D-образен пръстен (B), докато има достатъчно пространство, за да плъзнете интерфейса за двойните палци между текстилните ремъци и подложката на D-образния пръстен.
 2. **Отворете двойния карабинер:** Избутайте нагоре вложката на конектора (C), за да откачите скобите (D) от конектора и след това завъртете нагоре вложката на конектора, за да отключите муфата. Натиснете муфата (E) навътре, за да отворите конектора.
 3. **Прокарайте първото Nano-Lok SRD устройство върху двойния карабинер:** Вмъкнете носа на конектора (F) през шарнирното око (G) на SRL и след това завъртете SRL около края на муфата на конектора (H). Муфата може да бъде завъртяна към носа, за да се даде възможност за клирънс на шарнирното око между муфата и гръбнака на конектора.
 4. **Поставете двойния карабинер около текстилните ремъци:** Когато муфата е обърната нагоре, вкарайте носа на конектора (F) зад текстилните ремъци (A). Завъртете конектора зад текстилните ремъци, докато конектора обгърне текстилните ремъци.
 5. **Добавете второто Nano-Lok SRD към двойния карабинер:** Плъзнете шарнирното око на SRL (G) през носа на конектора (F) и позиционирайте шарнирното око на SRL в края на носа на конектора (F). Завъртете муфата (E), за да я затворите.
 6. **Затворете двойния карабинер:** Завъртете вложката на конектора (C) напред, така че скобите (D) да се закрепят на конектора. Когато са правилно затворени, текстилните ремъци трябва да преминат през слота за ремъци (J) в горната част на вложката на конектора, а шарнирните очи на SRL трябва да бъдат закрепени в жлебовете (K) от всяка страна на вложката на конектора. След като интерфейсът на раменно-бедрения колан е затворен, издърпайте текстилните ремъци (A) назад през дорсалния D-образен пръстен и подложката на D-образния пръстен, за да елиминирате хлабината в ремъците и закрепете конектора между текстилните ремъци и подложката на D-образния пръстен.
- **3M® DBI-SALA® Карабинер с два щифта:** Това приспособление за раменно-бедрени колани може да се използва за монтиране на едно Nano-Lok SRL или две Nano-Lok SRL при катерене (вижте Фигура 11), където се изисква 100% свързване:
 1. **Разхлабете ремъците на раменно-бедрения колан:** Издърпайте текстилните ремъци (A) където те преминават през дъното на дорсалния D-образен пръстен (B), докато има достатъчно пространство, за да плъзнете интерфейса за двойните палци между текстилните ремъци и подложката на D-образния пръстен.
 2. **За единична конфигурация:** Поставете шарнирното око на едно SRL в центъра на отвореното пространство.
 3. **За двойна конфигурация:** поставете шарнирното око на едно SRL в най-близкото до щифта отворено пространство и едно SRL в най-отдалеченото от щифта отворено пространство.
 4. Плъзнете щифта обратно на място, докато чуе щракване. Щифтът трябва да бъде здраво фиксиран на място.
 5. Едновременно натиснете двата бутона на страната на конектора, която е откъм раменно-бедрения колан, докато плъзнете щифта. Плъзгането на този щифт създава отворено пространство.
 6. Издърпайте малко от хлабината в ремъците директно под дорсалния D-образен пръстен на Вашия раменно-бедрен колан. Поставете страната на конектора, която е откъм раменно-бедрения колан, под D-образния пръстен.
 7. Плъзнете щифта обратно на място, като се уверите, че щифтът остава под двата слоя на ремъците на раменно-бедрения колан, докато чуе щракване. Щифтът трябва да бъде здраво фиксиран на място.

4.0 ЕКСПЛОАТАЦИЯ

Потребители, които използват за първи път или рядко самонавиващи се блокиращи устройства (SRD), трябва да прегледат „Информация за безопасност“ в началото на това ръководство преди използването на SRD.

- 4.1 ПРЕДИ ВСЯКА УПОТРЕБА:** Преди всяка употреба на това оборудване за защита от падане внимателно го проверете, за да се уверите, че е в добро работно състояние. Проверете за износени или повредени части. Уверете се, че всички болтове са налични и закрепени. Уверете се, че осигурителната линия се прибира правилно, като издърпате линията и я оставите бавно да се прибере. Ако има някакво колебание при прибирането, устройството трябва да бъде премахнато от употреба и унищожено. Проверете осигурителната линия за разрези, изтъквания, изгаряния, раздробяване и корозия. Проверете блокиращото действие с рязко дърпане на линията. Вижте „Дневника за проверка и поддръжка“ (Таблица 3) за подробности относно проверката. Не използвайте, ако проверката разкрие опасно състояние.
- 4.2 СЛЕД ПАДАНЕ:** Всяко оборудване, което е било подложено на силите на задържане на падане или проявява повреда, съответстваща на ефекта на силите при височинна защита, както е описано в таблица 3, трябва да бъде извадено от употреба незабавно и унищожено.
- 4.3 СБРУИ И КОЛАНИ:** При използване на SRD трябва да се носи раменно-бедрен колан за цялото тяло. За обща употреба за защита от падане, свържете задния (дорсален) D-образен пръстен.
- 4.4 СЪЗДАВАНЕ НА ВРЪЗКИ:** Фигура 5 илюстрира връзки на раменно-бедрени колани и закрепване за SRD системите за височинна защита. Когато използвате кука, за да направите връзка, уверете се, че не може да възникне разгъване (вижте Фигура 5). Не използвайте куки или конектори, които не се затварят напълно върху предмета за прикачване. Не използвайте незаклучващи се куки с карабинер. Закрепването трябва да отговаря на изискванията за якост на закрепване, посочени в Таблица 2. Следвайте инструкциите на производителя, предоставени с всеки компонент на системата.
- 4.5 ЕКСПЛОАТАЦИЯ:** Преди употреба проверете SRD, както е описано в таблица 3. Фигура 14 показва системни връзки за типични SRD приложения. Свържете SRD към подходящо устройство за закрепване или монтирайте SRD на задната страна на раменно-бедрен колан за цяло тяло съгласно инструкциите в Раздел 3. При свързване със закрепването SRD, свържете куката (D) или карабинера на индикатора за натоварване към дорсалния D-образен пръстен (A) на раменно-бедрения колан за цяло тяло. При SRD, монтирани на раменно-бедрени колани, свържете куката (D) или карабинера към подходящо закрепване. Уверете се, че връзките са съвместими по размер, форма и сила. Уверете се, че куките са напълно затворени и заключени. Веднъж прикрепен, работникът може свободно да се движи в рамките на препоръчителната работна зона при нормални скорости. Ако се случи падане, SRD ще блокира и спре падането. При спасяване, отстранете SRD от употреба. Когато работите със SRD, винаги оставайте осигурителната линия да се връща обратно в устройството под контрол.
- 4.6 ИНТЕРФЕЙС НА ДВОЙНО SRD ЗА 100% ОБТЯЖКА:** Когато две SRD са монтирани едно до друго на задната част на раменно-бедрен колан за цяло тяло, системата за височинна защита на SRD може да се използва за непрекъсната защита от падане (100% обтяжка), докато се издига, спуска или се движи странично (вижте Фигура 15). Когато към закотвящата точка на SRD е прикачено крачето на колана, работникът може да се придвижи до ново място, да прикрепи неизползваното краче на колана на другото SRD към друга закотвяща точка и след това да се разкачи от първоначалната закотвяща точка. Последователността се повтаря докато работникът достигне желаното място. Съображенията за приложенията на двойните SRD за 100% обтяжка включват следното:
- Никога не свързвайте и двата SRD колана към една и съща закотвяща точка (вижте Фигура 16A).
 - Свързването на повече от един конектор към една закотвяща точка (пръстен или око) може да застраши съответствието на връзката поради взаимодействие между конекторите и не се препоръчва.
 - Свързването на всеки колан на SRD към отделна закотвяща точка е допустимо (Фигура 16B).
 - Всяко място на свързване трябва независимо да поддържа 2248 lbs (10 kN) или да бъде инженерна система, както при хоризонтална осигурителна линия.
 - Никога не свързвайте повече от едно лице към двойната SRD система (Фигура 16C) в един и същи момент.
 - Не допускайте коланите да се заплетат или усучат заедно, тъй като това може да предотврати прибирането им.
 - Не допускайте колани да минават над ръцете или между краката по време на употреба.
- 4.7 МОНТИРАНЕ НА ДВОЙНО SRD С ДОРСАЛЕН D-ОБРАЗЕН ПРЪСТЕН:** Моделите с карабинер с тройно действие могат да бъдат монтирани към дорсалния D-образен пръстен в двойна конфигурация. За да монтирате две SRD върху дорсалния D-образен пръстен на раменно-бедрен колан (Фигура 13):
- 1. Отворете карабинера с тройно действие:** При карабинер с тройно действие, ориентиран както е показано, натиснете заключващия ръкав (C) надясно и след това завъртете по часовниковата стрелка, за да отключите муфата (D). Завъртете муфата (D) надолу, за да се отвори.
 - 2. Прокарайте първия SRD върху карабинера с тройно действие:** Поставете носа на конектора (E) през шарнирното око (F) на SRD и след това завъртете SRD около края на муфата на конектора (G). Муфата може да бъде затворена, за да се даде възможност за клирънс на шарнирното око между муфата и гръбнака на конектора.
 - 3. Добавете второто SRD на карабинера с тройно действие:** Плъзнете шарнирното око на SRD (F) над носа на конектора (E).
 - 4. Прокарайте карабинера с тройно действие през D-образния пръстен:** Вмъкнете носа на конектора (E) през дорсалния D-образен пръстен (A). Завъртете конектора през D-образния пръстен, докато муфата бъде затворена.
 - 5. Затворете карабинера с тройно действие:** Оставете муфата (D) да се затвори и заключващият ръкав (C) да се завърти обратно до заключено положение.
- 4.8 ХОРИЗОНТАЛНИ СИСТЕМИ:** В приложения, при които SRD се използва в комбинация с хоризонтална система (т.е. хоризонтална осигурителна линия, хоризонтална I-Beams количка), SRD и компонентите на хоризонталната система трябва да бъдат съвместими. Хоризонталните системи трябва да бъдат проектирани и монтирани под надзора на квалифициран инженер. За подробности вижте инструкциите на производителя на оборудване за хоризонтални системи.

Стойностите на клирънса при падане на фигура 4 се основават на закрепването към твърда неподвижна точка на закотвяне и не се прилагат за закрепване към система за хоризонтална осигурителна линия (HLL). Консултирайте се с ръководството с инструкции на HLL и инсталатора на HLL, за да определите необходимите стойности на клирънс при падане.

5.0 Проверка

5.1 НАКРАЙНИК ЗА РАДИОЧЕСТОТНА ИДЕНТИФИКАЦИЯ: Самонавиващото се блокиращо устройство включва крайник за радиочестотна идентификация (RFID) (вижте Фигура 17). Крайникът за радиочестотна идентификация може да се използва заедно с ръчното четящо устройство и базиран в интернет портал за опростяване на проверката и управление на наличностите, и осигуряване на записи за Вашето оборудване за защита срещу падане. За подробности се свържете с представител на отдела за обслужване на клиенти на ЗМ (вижте задната корица). Следвайте инструкциите, предоставени с Вашето ръчно четящо устройство или тези в интернет портала, за прехвърляне на Вашите данни във Вашия дневник в мрежата.

5.2 ЧЕСТОТА НА ПРОВЕРКИТЕ: Самонавиващото се блокиращо устройство трябва да се проверява на интервалите, определени в раздел 2. Процедурите по проверката са описани в „Дневника за проверка и поддръжка“ (Таблица 3).

Екстремните работни условия (тежки условия, продължителна употреба и др.) могат да изискват увеличаване на честотата на проверките (вижте Таблица 2).

5.2 НЕБЕЗОПАСНО ИЛИ ДЕФЕКТНО СЪСТОЯНИЕ: Ако проверката разкрие опасно или дефектно състояние, незабавно отстранете SRD от употреба и го изхвърлете (вижте Раздел 6).

Само ЗМ или писмено оторизирани страни могат да извършват ремонт на това оборудване.

5.3 СРОК НА ЕКСПЛОАТАЦИЯ НА ПРОДУКТА: Функционалният срок на експлоатация на самонавиващите се блокиращи устройства на ЗМ се определя от работните условия и поддръжката. Докато продуктът отговаря на критериите при проверка, той може да остане в употреба (в рамките на максималния срок на експлоатация). Максималният срок на експлоатация на SRD с осигурителни линии с текстилни ремъци е не повече от 10 години от датата на производство.

6.0 ПОДДРЪЖКА, ОБСЛУЖВАНЕ И СЪХРАНЕНИЕ

6.1 ПОЧИСТВАНЕ: Процедурите за почистване на SRD са както следва:

- Периодично почиствайте външната страна на SRD с вода и мек сапунен разтвор. Поставете SRD така, че излишната вода да може да се оттече. Почиствайте етикетите при необходимост.
- Почиствайте ремъчната осигурителна линия с вода и мек сапунен разтвор. Изплакнете и изсушете добре на открито. Не ускорявайте сушенето чрез загряване. Осигурителната линия трябва да изсъхне преди да допуснете прибирането и в кожата. Прекомерното натрупване на замърсявания, боя и др. може да не позволи на осигурителната линия да се прибере изцяло обратно в кожата, което да доведе до потенциална опасност от свободно падане.

6.2 ОБСЛУЖВАНЕ: SRD не могат да бъдат поправяни. Ако SRD е било обект на сили на падане или при проверка се установи състояние, което не е безопасно или е дефектно, извадете SRD от употреба и го унищожете. (вижте „Изхвърляне“).

6.3 СЪХРАНЕНИЕ/ТРАНСПОРТ: Съхранявайте и транспортирайте SRD в хладна, суха и чиста среда, далече от пряка слънчева светлина. Избягвайте места, където могат да съществуват химически изпарения. Проверете добре SRD след период на продължително съхранение.

6.4 ИЗХВЪРЛЯНЕ: Изхвърлете SRD, ако е било подложено на сили при височинна защита или проверка е разкрила опасно или дефектно състояние. Преди да изхвърлите SRD, разрежете осигурителната линия наполовина или по друг начин изключете SRD, за да елиминирате възможността за непреднамерено повторно използване.

7.0 Етикети

Фигура 22 илюстрира етикети на самонавиващи се блокиращи устройства и техните местоположения. Всички етикети трябва да се намират върху SRD. Етикетите трябва да бъдат подменени, ако не са напълно четливи. Пиктограмите върху етикетите се определят, както следва:

1	Проверете куката с карабинера и индикатора за удар
2	Проверете заключващото действие на SRL
3	Правилният начин за свързване на SRL към раменно-бедрен колан
4	Не е сертифициран за остри ръбове. Може да бъде свързан към точка на закрепване над, под или на нивото на дорсалния D-образен пръстен (максимум 140 кг).
5	Температурен диапазон на употреба -40° C – +60° C
6	Максимален капацитет 140 кг
7	Винаги позволявайте на осигурителната линия да се върне обратно в SRL под контрол
8	Не поправяйте
9	Да се съхранява на хладно, сухо и чисто място; далече от пряка слънчева светлина.
10	Не натоварвайте над допустимото
11	Не сваляйте етикета

Таблица 3 – Дневник за проверка и поддръжка

Сериен номер(а):		Дата на покупката:	
Номер на модела:		Дата на първа употреба:	
Дата на проверка:		Проверено от:	
Компонент:	Проверка: (вижте раздел 2 за Честота на проверките)	Успешно	Неуспешно
SRD (Фигура 18)	Огледайте за хлабави крепежни елементи и изкривени или повредени части.	<input type="checkbox"/>	<input type="checkbox"/>
	Проверете корпуса (A) за изкривяване, пукнатини или други повреди.	<input type="checkbox"/>	<input type="checkbox"/>
	Огледайте шарнира (B) и шарнирното око (C) или интегралния конектор (D) за изкривяване, пукнатини или други повреди. Шарнирът трябва да бъде здраво закрепен към SRL, но трябва да се върти свободно. Шарнирното око и интегралният конектор трябва да се въртят свободно в шарнирното съединение.	<input type="checkbox"/>	<input type="checkbox"/>
	Ремъчната осигурителна линия (E) трябва да се изтегли и прибере напълно, без колебания или създаване на хлабина на линията.	<input type="checkbox"/>	<input type="checkbox"/>
	Уверете се, че SRD се заключва, когато осигурителната линия рязко се дръпне. Заключването трябва да бъде сигурно, без приплъзване.	<input type="checkbox"/>	<input type="checkbox"/>
	Всички етикети трябва да са налични и напълно четливи (вижте фигура 20).	<input type="checkbox"/>	<input type="checkbox"/>
	Проверете цялото SRD за признаци на корозия.	<input type="checkbox"/>	<input type="checkbox"/>
Крайни конектори (Фигура 19)	Таблица 2 идентифицира крайните конектори, които трябва да бъдат включени във вашия Nano-Lok SRD модел. Проверете всички куки, карабинери, куки Rebar, интерфейси и т.н. за следи от повреда, корозия и неподходящи работни условия. Проверете следното: Муфите трябва да се отварят, затварят, заключват и отключват правилно, а бутоните за заключване и заключващите щифтове трябва да функционират правилно.	<input type="checkbox"/>	<input type="checkbox"/>
Ремъчна осигурителна линия (Фигура 20)	Проверете ремъците; материалът трябва да не съдържа разрези (A), изтъквания (B) или скъсани влакна. Проверете за скъсвания, ожулвания, сериозни замърсявания (C), плесени, изгаряния (D) или промяна на цвета. Проверете шевове; Проверете за изтеглени или нарязани шевове. Скъсаните шевове може да са индикация, че раменно-бедреният колан е натоварен от удар и трябва да бъде изваден от употреба.	<input type="checkbox"/>	<input type="checkbox"/>
Гасител на енергията (Фигура 21)	Уверете се, че вграденият гасител на енергия не е бил активиран. Отворен капак или скъсано покритие (A), издърпан ремък от капака, скъсан или изтъкван ремък (B), откъснат шев и др. са индикатори за активиран гасител на енергия.	<input type="checkbox"/>	<input type="checkbox"/>
Коригиращи действия/поддръжка:		Одобрено от:	
		Дата:	
Коригиращи действия/поддръжка:		Одобрено от:	
		Дата:	
Коригиращи действия/поддръжка:		Одобрено от:	
		Дата:	
Коригиращи действия/поддръжка:		Одобрено от:	
		Дата:	
Коригиращи действия/поддръжка:		Одобрено от:	
		Дата:	
Коригиращи действия/поддръжка:		Одобрено от:	
		Дата:	
Коригиращи действия/поддръжка:		Одобрено от:	
		Дата:	
Коригиращи действия/поддръжка:		Одобрено от:	
		Дата:	

BEZPEČNOSTNÍ INFORMACE

Přečtěte si prosím, pochopte a dodržujte veškeré bezpečnostní informace obsažené v této příručce před použitím tohoto samonavijecího záchytného zařízení (SRD). V OPAČNÉM PŘÍPADĚ MŮŽE DOJÍT K VÁŽNÉMU ÚRAZU ČI ÚMRTÍ.

Tyto pokyny je nutno předat uživateli tohoto zařízení. Tyto pokyny si uschovejte k budoucímu nahlédnutí.

Zamýšlené použití:

Toto samonavijecí záchytné zařízení je určeno pro použití jako součást kompletního systému pro ochranu osob proti pádu.

Jiné použití, mimo jiné včetně manipulace s materiálem, rekreačních činností nebo činností souvisejících se sportem nebo jiných činností, které nejsou popsány v uživatelské příručce, není schváleno společností 3M a může mít za následek vážný úraz či úmrtí.

Toto zařízení mohou používat pouze vyškolení uživatelé na pracovišti.

! VAROVÁNÍ

Toto samonavijecí zařízení je součástí systému pro ochranu osob proti pádu. Očekává se, že všichni uživatelé budou řádně zaškoleni ohledně bezpečné instalace a používání svého systému pro ochranu osob proti pádu. **Nesprávné použití tohoto zařízení může mít za následek vážný úraz či úmrtí.** Pro správný výběr, provoz, instalaci, údržbu a servis nahlédněte do této uživatelské příručky včetně všech doporučení výrobce, obraťte se na svého nadřízeného nebo kontaktujte technický servis 3M.

- **Pro snížení rizik spojených s prací se samonavijecím záchytným zařízením, která mohou mít, pokud jim nezabráníte, za následek vážný úraz či úmrtí:**
 - Před každým použitím samonavijecí záchytné zařízení prohlédněte a zkontrolujte správné zablokování a zatahování.
 - Pokud kontrola odhalí nebezpečný nebo závadný stav, vyřadte zařízení z činnosti a opravte nebo vyměňte podle pokynů v uživatelské příručce.
 - Pokud bylo samonavijecí záchytné zařízení podrobeno jistění proti pádu nebo nárazu, okamžitě samonavijecí záchytné zařízení vyřadte z provozu a označte zařízení jako „NEPOUŽITELNÉ“.
 - Ujistěte se, že je záchytné lano uchováváno stranou všech překážek, že se mimo jiné nemůže zamotat do pohybujících se strojů nebo zařízení (jako je například horní pohon vrtných plošin), že je mimo dosah ostatních pracovníků, vás, okolních předmětů a je chráněno před nárazem stropních předmětů, které by mohly spadnout na záchytné lano nebo pracovníka.
 - Nikdy nedovolte, aby se záchytné lano prověsilo. Záchranné lano neuvazujte a nedělejte na něm uzly.
 - Nepoužité nožky samonavijecího záchytného zařízení upevněného k postroji připevněte k zajišťovacímu nástavci postroje, pokud je součástí výbavy.
 - Nepoužívejte, když je dráha pádu zablokována. Práce na pomalu se přesouvajícím materiálu, jako je písek nebo zrní, nebo v omezených nebo stísněných prostorách nemusí pracovníkovi umožnit dosáhnout dostatečné rychlosti, aby způsobila zablokování samonavijecího záchytného zařízení. Spolehlivé zablokování samonavijecího záchytného zařízení vyžaduje rovnou dráhu.
 - V průběhu běžného pracovního provozu se vyvarujte náhlých nebo rychlých pohybů. Mohou způsobit zablokování zařízení.
 - Zajistěte, aby systémy/subsystémy pro ochranu proti pádu sestavené ze součástí vyrobených různými výrobci, byly kompatibilní a splňovaly požadavky platných norem, včetně ANSI Z359 nebo jiných platných předpisů, norem nebo požadavků týkajících se ochrany proti pádu. Před použitím těchto systémů se vždy poradte s kompetentní a/nebo kvalifikovanou osobou.
- **Abyste snížila rizika související s prací ve výškách, která mohou mít, pokud jim nezabráníte, za následek vážný úraz či úmrtí:**
 - Ujistěte se, že vám váš zdravotní stav a fyzická kondice umožňují bezpečně vydržet veškerou námahu spojenou s prací ve výškách. Pokud máte nějaké dotazy týkající se vaší schopnosti používat toto zařízení, poradte se se svým lékařem.
 - Nikdy nepřekračujte přípustnou kapacitu vašeho záchytného zařízení.
 - Nikdy nepřekračujte maximální délku volného pádu vašeho záchytného zařízení.
 - Nepoužívejte záchytná zařízení, která neprojdou kontrolou před použitím nebo jinou naplánovanou kontrolou, nebo pokud máte obavy ohledně vhodnosti zařízení pro vaše použití. S případnými dotazy kontaktujte technický servis společnosti 3M.
 - Některé kombinace subsystémů a součástí mohou narušovat provoz tohoto zařízení. Používejte pouze kompatibilní připojení. Pokud chcete toto vybavení používat v kombinaci s jinými součástmi nebo subsystémy, než které jsou popsány v této příručce, obraťte se na společnost 3M.
 - Buďte zvláště opatrní při práci u pohybujících se strojů (např. horní pohon vrtných plošin), v prostředí s nebezpečím úrazu elektrickým proudem, s extrémními teplotami, chemickým nebezpečím, výbušnými nebo toxickými plyny, ostrými hranami nebo pod stropními materiály, které by mohly spadnout na vás nebo vaše záchytné zařízení.
 - Při práci v prostředí s vysokými teplotami použijte zařízení proti obloukovému výboji nebo pro práci za horka.
 - Vyhnete se povrchům a předmětům, které mohou poranit uživatele nebo poškodit zařízení.
 - Při práci ve výškách zajistěte, aby pod vámi byla dostatečná hloubka umožňující bezpečné zachycení v případě pádu.
 - Nikdy své záchytné zařízení neupravujte ani neměňte. Opravy tohoto zařízení může provádět pouze společnost 3M nebo třetí strany s písemným oprávněním společnosti 3M.
 - Před použitím záchytného zařízení se ujistěte, že je zaveden záchranný plán, který umožňuje rychlou záchranu, pokud dojde k pádu.
 - Pokud dojde k pádu, okamžitě vyhledejte pracovníkovi, který spadl, lékařskou pomoc.
 - Pro jistění proti pádu nepoužívejte pás na tělo. Používejte pouze celotělový postroj.
 - Minimalizujte riziko výkyvu při pádu tím, že budete pracovat co nejbližší kotevnímu bodu.
 - Při školení ohledně tohoto zařízení se musí používat sekundární systém zajištění proti pádu, a to takovým způsobem, který školeného pracovníka nevystaví nežádoucímu nebezpečí pádu.
 - Při instalaci, používání nebo kontrole zařízení/systému vždy noste vhodné osobní ochranné pomůcky.

Před prvním použitím tohoto zařízení si poznamenejte výrobní identifikační údaje z identifikačního štítku do Deníku kontrol a údržby v příloze k této příručce.

POPIS:

Na obrázku 2 jsou znázorněny hlavní součásti samonavíjecích zařízení 3M™ DBI-SALA® Nano-Lok. Samonavíjecí zařízení Nano-Lok jsou záchytná lana navíjená na buben (A) vybavená vloženým tlumičem energie (B), která se zatahují do nylonového pouzdra (C). Otočné oko (D) na horní části pouzdra umožňuje připojení ke kotvicímu bodu pomocí karabiny (E) nebo připevnění na celotělový postroj pomocí rozhraní postroje (F). Na obrázku 1 jsou zobrazeny dostupné modely Nano-Lok a jejich konfigurace spojky. V tabulce 1 jsou uvedeny specifikace samonavíjecího zařízení Nano-Lok a spojky.

Tabulka 1 – Technické údaje

Technické parametry součásti:

Tělesa samonavíjecího záchytného zařízení	Nylon
Buben	Nylon
Vnitřní díly	Nerezová ocel, hliník
Pásový jisticí popruh	Polyester Dyneema
Tlumič energie	Kryt: Nitrilová pryž, Pásy: polyester, prošívání: polyesterová nebo nylonová příze
Otočný čep	Pozinkovaná ocel

Specifikace spojky:

	Popis	Materiál	Otvor zámku	Pevnost zámku	Pevnost v tahu
①	Otočné oko	Ocel	22,35 mm (0,88 palce) vnitřní průměr	X	22,2 kN (5000 liber)
②	Karabina	Hliník	19 mm (3/4 palce)	16 kN (3600 liber)	22,2 kN (5000 liber)
③	Karabina	Ocel	19 mm (3/4 palce)	16 kN (3600 liber)	22,2 kN (5000 liber)
④	Jednoduché rozhraní samonavíjecího zařízení	Ocel	51 mm (2 palce)	16 kN (3600 liber)	22,2 kN (5000 liber)
⑤	Zdvojené rozhraní samonavíjecího zařízení	Ocel s nylonovou vložkou	19 mm (3/4 palce)	16 kN (3 600 liber)	22,2 kN (5000 liber)
⑥	Karabina	Hliník, ocel	56 mm (2,19 palce)	16 kN (3600 liber)	22,2 kN (5000 liber)
⑦	Karabina	Hliník	19 mm (3/4 palce)	16 kN (3600 liber)	22,2 kN (5000 liber)
⑧	Pojistná spojka	Hliník	57 mm (2 1/4 palce)	16 kN (3600 liber)	22,2 kN (5000 liber)
⑨	Pojistná spojka	Hliník	63 mm (2 1/2 palce)	16 kN (3600 liber)	22,2 kN (5000 liber)
⑩	Karabina	Hliník	52 mm (2 palce)	16 kN (3600 liber)	22,2 kN (5000 liber)
⑪	Pojistná spojka	Hliník, ocel	63 mm (2 1/2 palce)	16 kN (3600 liber)	22,2 kN (5000 liber)
⑫	Karabina	Ocel	19 mm (3/4 palce)	16 kN (3600 liber)	22,2 kN (5000 liber)
⑬	Pojistná spojka	Hliník	57 mm (2 1/4 palce)	16 kN (3600 liber)	22,2 kN (5000 liber)
⑭	Hák s pojistným perem	Ocel	19 mm (3/4 palce)	16 kN (3600 liber)	22,2 kN (5000 liber)

Výkonové specifikace:

Specifikace samonavíjecího záchytného zařízení (vertikální)	Modely CE	
Rozsah nosnosti	59 kg – 100 kg (130 liber – 220 liber)	100 kg – 140 kg (220 liber – 310 liber)
Maximální záchytná síla	6 kN (1350 liber)	6 kN (1350 liber)
Průměrná záchytná síla	4 kN (900 liber)	4 kN (900 liber)
Specifikovaná maximální záchytná vzdálenost¹	0,61 m (24 palců)	0,61 m (24 palců)
Minimální délka pádu¹	1,5 m (5 stop)	1,8 m (5,8 stop)
Maximální délka volného pádu²	1,5 m (5 stop)	1,5 m (5 stop)

1 - Za předpokladu, že je samonavíjecí záchytné zařízení nainstalováno přímo nad (hlavou) koncového uživatele.

2 - Měřeno od úchytu ve tvaru D uživatele k pochozí/pracovní ploše. Podrobnosti viz Tabulka(y) volného prostoru pro pád.

1.0 POUŽITÍ

- 1.1 ÚČEL:** Samonavíjecí zařízení (SRD) jsou určena k použití jako součást systému zachycení pádu osob (PFAS). Na obrázku 1 jsou znázorněna samonavíjecí zařízení SRD popsaná v této uživatelské příručce. Mohou být použita v mnoha situacích, které vyžadují kombinaci mobility pracovníků a ochrany proti pádu (tj. kontrolní práce, stavební práce, údržbářské práce, těžba ropy, práce v omezeném prostoru atd.).
- 1.2 NORMY:** Toto samonavíjecí záchytné zařízení (SRD) vyhovuje národním a regionálním normám uvedeným na přední straně obálky této příručky. Odkazujeme na místní, státní a federální požadavky (OSHA), kterými se řídí bezpečnost a kde jsou uvedeny další informace týkající se systému ochrany osob proti pádu.
- 1.3 ŠKOLENÍ:** Toto zařízení je určeno k použití osobami vyškolenými ve správné aplikaci a používání. Uživatel zařízení nese odpovědnost za to, že tyto osoby budou obeznámeny s těmito pokyny a vyškoleny ke správnému používání a ošetřování tohoto vybavení. Uživatelé musejí rovněž znát provozní charakteristiky, omezení pro použití a důsledky nesprávného použití zařízení.
- 1.4 OMEZENÍ:** Při instalaci nebo používání tohoto zařízení vždy berte v úvahu následující omezení:

- **Nosnost:** Samonavíjecí záchytná zařízení (SRD) jsou určena pro použití jednou osobou o celkové hmotnosti (osoba, oděv, nářadí atd.) při splnění *Rozsahu nosnosti* uvedeném v tabulce 1. Ujistěte se, že všechny součásti vašeho systému jsou dimenzované na kapacitu odpovídající danému použití.
- **Ukotvení:** Konstrukce ukotvení pro samonavíjecí záchytná zařízení (SRD) musí být schopna unést zatížení až 12 kN (2 697 liber). Kotevní ústrojí musí odpovídat normě EN795 nebo jiným platným normám pro kotevní spojky.
- **Rychlost blokování:** Je třeba předcházet situacím, které by neumožňovaly dráhu pádu bez překážek. Práce v malých nebo stísněných prostorech nebo na nakloněné rovině nemusí dovolit, aby tělo v případě pádu dosáhlo dostatečné rychlosti potřebné k zablokování samonavíjecího záchytného zařízení (SRD). Práce na pomalu se přesunujících materiálech, jakými jsou písek nebo zrnité látky, nemusí vyvolat dostatečnou rychlost potřebnou k zablokování samonavíjecího záchytného zařízení (SRD). Spolehlivé zablokování samonavíjecího záchytného zařízení vyžaduje přímou dráhu.
- **Volný pád:** Při ukotvení nad hlavou omezí samonavíjecí záchytné zařízení SRD délku volného pádu na 0,6 m (2 stopy).¹ Aby se zabránilo zvýšení délky pádu, proveďte ukotvení samonavíjecího záchytného zařízení SRD přímo nad pracovní úroveň. V žádném případě nepřipojujte zařízení SRD ke kotevnímu bodu, který vytvoří volný pád delší než 1,5 m (5 stop). Vyvarujte se práce, při níž by se vaše záchytné lano mohlo zkřížit nebo zaplést se záchytným lanem jiného pracovníka. Nezačínejte práci, kde by nějaký předmět mohl spadnout a narazit na záchytné lano, což by vedlo ke ztrátě rovnováhy nebo poškození lana. Nedovolte, aby záchytné lano procházelo pod pažemi nebo mezi nohama. Záchytné lano nikdy neupínajte a neuvazujte tak, aby se nemohlo navíjet nebo napínat. **Braňte prověšování lana. Neprodužujte samonavíjecí záchytné zařízení (SRD) připojováním závěsu nebo podobné součásti bez předchozí konzultace se společností 3M.**
- **Pády s výkyvem:** Pokud není bod ukotvení přímo nad místem, kde dojde k pádu, mohou při pádu nastat výkyvy. Síla nárazu na předmět při pádu s výkyvem může způsobit těžký úraz (viz obrázek 3A). Minimalizujte riziko výkyvu při pádu tím, že budete pracovat co nejbližší kotevnímu bodu (obrázek 3B). Práce mimo kotevní bod (obrázek 3C) zvýší náraz při pádu s výkyvem a zvýší požadovanou délku dopadu (FC).
- **Délka dopadu:** Obrázek 3B znázorňuje výpočet délky dopadu. Délka dopadu (FC) je součet volného pádu (FF), vzdálenosti zpomalení (DD) a bezpečnostního faktoru (SF): $FC = FF + DD + SF$. V bezpečnostním faktoru je zahrnut posun úchyty ve tvaru D a protažení postroje. Vypočtené délky dopadu jsou uvedeny v tabulce na obrázku 4. Pro všechny hodnoty na obrázku 4 byl použit bezpečnostní faktor 1 m (3,28 stopy).

Obrázek 4 znázorňuje délku dopadu (FC) na základě vodorovné (H) a svislé (V) vzdálenosti mezi zádočným připojením SRD a bodem ukotvení. Každá vodorovná linka v tabulce (tabulkách) představuje svislou vzdálenost od bodu ukotvení. Každá svislá linka představuje vodorovnou vzdálenost od bodu ukotvení. Hodnota délky dopadu (FC) závisí na zóně (parabolické čáry), ve kterých se protínají vodorovné (H) a svislé (V) linky mřížky. Příklad na obrázku 4 ukazuje jak stanovit požadovanou hodnotu délky dopadu (FC) pro uvedenou svislou (V) a vodorovnou (H) vzdálenosti.

Proměnné kotevní body: Délky dopadu na obrázku 4 vycházejí z pevného statického kotevního bodu. V případě ukotvení k vodorovnému záchytnému lanu (HLL) nebo pokud se kotevní bod může během pádu pohybovat, posouvat nebo deformovat, hodnoty délky dopadu na obrázku 4 neplatí. Další podrobnosti ohledně požadovaných délek dopadu, odklonů nebo deformací najdete v pokynech pro HLL nebo ukotvení.

Klečení nebo přikrčení: Tabulky volného prostoru na obrázku 4 předpokládají, že se pracovník nachází v poloze vestoje. Pokud bude pracovník klečet nebo bude přikrčen, je třeba přidat 0,9 m (3 stopy) volného prostoru pro pád.

V žádném případě nekotvěte pod nohama: V žádném případě nepřipojujte ke kotevnímu bodu pod nohama.

- **Rizika:** Používání tohoto zařízení v oblastech, kde existují rizika nebezpečného prostředí, si mohou vyžádat další předběžná opatření pro snížení možnosti úrazu uživatele nebo poškození vybavení. Rizika mohou mj. zahrnovat: vysoké tepelné zatížení, žíravé chemikálie, korozivní prostředí, vedení vysokého napětí, výbušné nebo jedovaté plyny, pohybující se části strojů nebo nahoře zavěšené předměty, které mohou spadnout a narazit na uživatele nebo na systém jištění proti pádu. Vyvarujte se práce, při níž by se vaše záchytné lano mohlo zkřížit nebo zaplést s lanem jiného pracovníka. Nezačínejte práci, kde by nějaký předmět mohl spadnout a narazit na záchytné lano, což by vedlo ke ztrátě rovnováhy nebo poškození lana. Nedovolte, aby záchytné lano procházelo pod pažemi nebo mezi nohama.
- **Ostré hrany:** Ostré hrany, kterých se záchytné lano SRD může dotýkat během pádu, musí mít minimální poloměr 0,3 cm (0,125 palce). Tam, kde se kontaktu s ostrou hranou nedá zabránit, zakryjte hrany ochranným materiálem.

¹ **Volný pád:** Správné použití SRD v případě, že uživatel pracuje přímo bodem ukotvení a bez prověšeného záchytného lana, vylučuje volný pád. Přijatelná místa ukotvení jsou uvedena na obrázku 4.

2.0 Použití systému

- 2.1 PLÁN OCHRANY PROTI PÁDU A ZÁCHRANY:** Zaměstnavatel musí mít zavedený plán ochrany proti pádu a záchrany. Tento plán musí obsahovat pokyny a požadavky na program zaměstnavatele pro zabezpečení proti pádu z výšky včetně zásad, povinností a školení, postupy ochrany proti pádu, vyloučení a řízení rizik pádu, záchranné postupy, vyšetřování nehod a hodnocení účinnosti programu.
- 2.2 ČETNOST KONTROL:** Samonavíjecí záchytná zařízení (SRD) musejí být před každým použitím zkontrolována oprávněnou osobou¹ nebo záchranářem² (viz tabulka 3). Dále musí provádět kontroly kompetentní osoba³ jiná, než uživatel. Extrémní pracovní podmínky (nepříznivé prostředí, dlouhodobé používání atd.) si mohou vyžádat častější kontroly kompetentní osobou. Oprávněná osoba na základě *harmonogramu kontrol (tabulka 2)* stanoví vhodné intervaly kontrol. Postupy kontroly jsou popsány v *Protokolu kontrol a údržby (tabulka 3)*. Výsledky kontroly provedené kompetentní osobou musejí být zaneseny do *Protokolu kontrol a údržby* nebo zaznamenány pomocí systému RFID (Radio Frequency Identification) (viz *oddíl 5*).
- 2.3 BĚŽNÝ PROVOZ:** Při běžném provozu se záchranné lano během pohybu pracovníka normální rychlostí vysouvá a navíjí bez známek zpomalení nebo provedení. Pokud dojde k pádu, aktivuje se brzdový systém snímající rychlost, zastaví pád a pohltí většinu vytvořené energie. Náhlé nebo rychlé pohyby by měly být během normální pracovní činnosti vyloučeny, protože by mohly způsobit zablokování samonavíjecího záchytného zařízení (SRD). Pro pády, které mohou nastat v blízkosti konce dráhy záchranného lana, se používá systém rezervního lana nebo tlumič energie na snížení záchytných sil.
- 2.4 PODPORA TĚLA:** Se samonavíjecím záchytným zařízením je nutno používat celotělový postroj. Bod připojení postroje se musí nacházet nad těžištěm uživatele. Společně se samonavíjecím záchytným zařízením není dovoleno používat pás na tělo. Pokud dojde k pádu při použití pásu na tělo, může to způsobit nechtěné uvolnění a případné udušení kvůli nesprávné podpoře těla.
- 2.5 KOMPATIBILITA SOUČÁSTÍ:** Zařízení 3M jsou určena k používání výhradně se součástmi a subsystemy schválenými společností 3M, pokud není uvedeno jinak. Záměny a náhrady za použití neschválených prvků a dílčích systémů mohou ohrozit kompatibilitu zařízení a případně též nepříznivě ovlivnit bezpečnost a spolehlivost celého systému.
- 2.6 KOMPATIBILITA SPOJEK:** Spojky jsou považovány za kompatibilní se spojovacími prvky, pokud byly navrženy ke společné funkci tak, aby jejich rozměry a tvary nezpůsobovaly, že se jejich uzavírací ústrojí budou náhodně otevírat bez ohledu na to, jakým směrem jsou orientována. V případě dotazů o kompatibilitě se obraťte na společnost 3M. Spojky (háky, karabiny a úchyty tvaru D) musí být schopné odolat zatížení alespoň 22,2 kN (5 000 liber). Spojky musí být kompatibilní s kotvením a dalšími součástmi systému. Nepoužívejte žádná nekompatibilní zařízení. Nekompatibilní spojky se mohou nechtěně rozpojit (viz obrázek 5). Spojky musejí být kompatibilní co do velikosti, tvaru a pevnosti. Samojistící háky s pojistným perem a karabiny jsou nezbytné. Pokud je spojovací prvek, na který se přikládá hák s pojistným perem nebo karabina, poddimenzovaný nebo má nesprávný tvar, může nastat situace, kdy spojovací prvek vyvine sílu na uzávěr háku s pojistným perem nebo karabiny (A). Tato síla může způsobit, že se otevře západka (B) a hák s pojistným perem nebo karabina se mohou uvolnit ze spojovacího bodu (C).
- 2.7 SPOJOVÁNÍ:** Háky s pojistným perem a karabiny používané s tímto zařízením musí být samozjistící. Ujistěte se, že jsou všechny spojky kompatibilní velikosti, tvaru a síly. Nepoužívejte žádná nekompatibilní zařízení. Ujistěte se, že jsou všechny spojky zcela uzavřeny a uzamčeny. Spojky 3M (háky s pojistným perem a karabiny) jsou navrženy pro používání pouze způsobem, který je uveden v uživatelských příručkách k jednotlivým výrobkům. Na obrázku 6 jsou uvedeny příklady chybných připojení.

Nepřipojujte háky s pojistným perem a karabiny:

- A. K úchytům tvaru D, na které jsou napojeny další spojky.
- B. Způsobem, který by vedl k zatížení uzávěru. Velké háky s pojistným perem nesmějí být připojeny ke standardním úchytům ve tvaru D nebo k podobným předmětům, pokud daný hák s pojistným perem není vybaven uzávěrem 16 kN (3 600 liber), protože tím by při zkrácení nebo otočení úchytu ve tvaru D došlo k zatížení uzávěru.
- C. U chybného zapojení, kde velikost nebo tvar spojovacích spolek nejsou kompatibilní a kde neproběhne vizuální kontrola, vypadají spojky jako plně připojené.
- D. Navzájem mezi sebou.
- E. Přímo na popruh nebo lanovou smyčku se zkracovačem či na zádový úvazek (pokud pokyny výrobce pro lano i pro spojku konkrétně takové spojení nedovolují).
- F. K žádnému předmětu, který je tvarován nebo dimenzován tak, aby se hák nebo karabina neuzavřela a neuzamkla nebo by mohlo dojít k uvolnění.
- G. Způsobem, který neumožňuje správný pohyb spojky při zatížení.

Tabulka 2 – Harmonogram kontrol

Typ použití	Příklady použití	Podmínky užití	Četnost kontrol
			Oprávněná osoba
Občasný až lehký	Záchrana a stísněné prostory, tovární údržba	Dobré skladovací podmínky, vnitřní nebo občasně venkovní použití, teplota okolí, čisté prostředí	Ročně
Střední až těžký	Doprava, obytné budovy, technická zařízení, skladiště	Přiměřené podmínky skladování, vnitřní a rozsáhlé venkovní užití, všechny teploty, čistá nebo prашná prostředí	Jednou za půl roku až jednou ročně
Náročný až nepřetržitý	Komerční budovy, ropný a plynárenský průmysl, těžba	Náročné skladovací podmínky, prodloužené nebo nepřetržité venkovní užití, všechny teploty, znečištěné prostředí	Jednou za čtvrt až půl roku

¹ **Oprávněná osoba:** Osoba pověřená zaměstnavatelem k výkonu povinností na místě, kde bude osoba vystavena riziku pádu z výšky.

² **Záchranář:** Osoba nebo osoby jiné než osoba zachraňovaná vykonávající činnosti asistované záchranné operace pomocí záchranného systému.

³ **Kompetentní osoba:** Osoba pověřená zaměstnavatelem k odpovědnosti za bezprostřední dozor, implementaci a monitorování programu zabezpečení proti pádu z výšky spravovaného zaměstnavatelem, která je na základě školení a příslušných znalostí schopná identifikovat, vyhodnocovat a řešit existující a potenciální rizika pádu a má od svého zaměstnavatele oprávnění k podniknutí rychlého nápravného opatření ve vztahu k takovým rizikům.

3.0 Instalace

3.1 PLÁNOVÁNÍ: Před zahájením práce si naplánujte systém ochrany proti pádu. Veźmĕte v úvahu veškeré faktory, které mohou ovlivnit vaši bezpečnost před pádem, v průběhu pádu a po pádu. Zvažte všechny požadavky a omezení uvedené v oddíle 2.

U většiny použití může být samonavíjecí zařízení Nano-Lok připojeno ke kotvení nebo zádovému rozhraní postroje. Jsou povoleny obě orientace, s výjimkou uvedenou v oddíle 4.

3.2 UKOTVENÍ: Obrázek 7 znázorňuje typické kotevní spojky závĕsu samonavíjecího zařízení. Vyberte místo ukotvení s minimálním rizikem volného pádu a výkyvu při pádu (viz část 1). Vyberte pevný kotevní bod odolný vůči trvalému statickému zatížení definovanému v části 1. Kde není možné nadhlavní ukotvení, může být samonavíjecí zařízení Nano-Lok připevnĕno na kotevní bod pod úrovní uživatelova zádového úchyty ve tvaru D. Pro uživatele do 140 kg (310 liber) nesmí být kotevní bod více než 5 stop (1,5 m) pod zádovým úchytem tvaru D.

3.3 MONTÁŽ POSTROJE: Nĕkteré modely samonavíjecích zařízení obsahují jednoduché nebo zdvojené rozhraní pro namontování samonavíjecího zařízení na celotĕlový postroj těsnĕ pod zádovým úchytem ve tvaru D:

Nĕkteré celotĕlové postroje jsou vybaveny osobní spojkou samonavíjecího zařízení (spojkou PSRL), která kombinuje zádový úchyt ve tvaru D s přípojnými prvky pro samonavíjecí zařízení připevnĕná na postroje (obrázek 8). Přípustné je také připojení samonavíjecího zařízení k zádovému úchyty ve tvaru D na postroji karabinou nebo hákem s pojistným perem.

- **Jednoduché rozhraní samonavíjecího zařízení připevnĕného na postroj:** Tam, kde záleží především na mobilitĕ pracovníků, se může použít rozhraní pro namontování samonavíjecího zařízení na zádové stranĕ celotĕlového postroje těsnĕ pod zádovým úchytem ve tvaru D (viz obr. 9): Pracovník se pak může připojit k různým kotevním bodům rozmístĕným v areálu pomocí lanového konce samonavíjecího zařízení bez nutnosti jeho opakované instalace. Pro připevnĕní samonavíjecího zařízení na celotĕlový postroj s rozhraním postupujte takto:

1. **Uvolnění popruhů postroje:** Povyťáhnĕte pásové popruhy (A) tam, kde procházejí dolní částí zádového úchyty ve tvaru D (B), až bude dostatek místa k posunutí zdvojeného rozhraní samonavíjecího zařízení mezi pásovými popruhy a zádovým chráničem.
2. **Otevření rozhraní postroje:** Stlaĕte soubĕžně pojistky zámku (C) a vysuňte pojistný kolík (D) ven.
3. **Umístĕní druhého samonavíjecího zařízení na rozhraní postroje:** Provlĕĕte otevřený zámek na rozhraní postroje otočným okem na samonavíjecím zařízení (E). Vedte rozhraní otočnými oky tak, aby samonavíjecí zařízení viselo z páteřní opory rozhraní postroje (F).
4. **Poloha rozhraní na postroji okolo pásových popruhů:** Umístĕte otevřený zámek rozhraní postroje okolo uvolněných pásových popruhů (A).
5. **Uzavření rozhraní postroje:** Protlaĕte pojistný kolík rozhraní postroje (D) uvolněnými pásovými popruhy (A), dokud nezapadne na své místo na protĕjší stranĕ rozhraní postroje. Vytáhnĕte pásové popruhy zpĕt přes zádový úchyt ve tvaru D a zádový chránič, abyste zajistili rozhraní postroje.

V případě, že rozhraní postroje bude odjištěno, odkryje se na hlavičce pojistného kolíku rozhraní postroje červený pruh. Aby se zabránilo náhodnému uvolnění spojení, vždy se ujistĕte, že je rozhraní postroje před použitím postroje zajištěno a připojeno k samonavíjecímu zařízení. Pokud tak neučiníte, může to mít za následek úraz nebo usmrcení.

- **Zdvojené rozhraní samonavíjecího zařízení připevnĕného na postroj:** Při stoupání do výšky, kde se požaduje 100% uvázání, je možno použít rozhraní pro namontování dvou samonavíjecích zařízení vedle sebe na zádové stranĕ celotĕlového postroje těsnĕ pod zádovým úchytem ve tvaru D (viz obr. 9). Spojení dvou samonavíjecích zařízení na celotĕlovém postroji karabinou:

1. **Uvolnění popruhů postroje:** Povyťáhnĕte pásové popruhy (A) tam, kde procházejí dolní částí zádového úchyty ve tvaru D (B), až bude dostatek místa k posunutí zdvojeného rozhraní samonavíjecího zařízení mezi pásovými popruhy a zádovým chráničem.
2. **Otevření rozhraní postroje:** Stlaĕte soubĕžně pojistky zámku (C) a vysuňte pojistný kolík (D) ven.
3. **Umístĕte samonavíjecí zařízení na rozhraní postroje:** Provlĕĕte otevřený zámek na rozhraní postroje otočným okem na každém samonavíjecím zařízení (E). Vedte rozhraní otočnými oky tak, aby samonavíjecí zařízení viselo z páteřní opory rozhraní postroje (F).
4. **Poloha rozhraní na postroji okolo pásových popruhů:** Umístĕte otevřený zámek rozhraní postroje okolo uvolněných pásových popruhů (A).
5. **Uzavření rozhraní postroje:** Protlaĕte pojistný kolík rozhraní postroje (D) uvolněnými pásovými popruhy (A), dokud nezapadne na své místo na protĕjší stranĕ rozhraní postroje. Vytáhnĕte pásové popruhy zpĕt přes zádový úchyt ve tvaru D a zádový chránič, abyste zajistili rozhraní postroje.

V případě, že rozhraní postroje bude odjištěno, odkryje se na hlavičce pojistného kolíku rozhraní postroje červený pruh. Aby se zabránilo náhodnému uvolnění spojení, vždy se ujistĕte, že je rozhraní postroje před použitím postroje zajištěno a připojeno k samonavíjecímu zařízení. Pokud tak neučiníte, může to mít za následek úraz nebo usmrcení.

- **Uchycení postroje pro zdvojené samonavíjecí zařízení s pevným úchytem tvaru D:** Starší celotělové postroje ExoFit s pevným úchytem ve tvaru D vyžadují speciální rozhraní postroje pro připojení dvou samonavíjecích zařízení na zádové straně postroje těsně pod úchytem tvaru D. Pro připevnění dvou samonavíjecích zařízení na celotělový postroj ExoFit s rozhraním a s pevným úchytem ve tvaru D (obr. 10) postupujte takto:
 1. **Uvolnění popruhů postroje:** Povyťáhněte pásové popruhy (A) tam, kde procházejí dolní částí zádového úchyty ve tvaru D (B), až bude dostatek místa k vložení rozhraní samonavíjecího zařízení mezi pásové popruhy a zádový chránič.
 2. **Otevření rozhraní postroje:** S rozhraním samonavíjecího zařízení, orientovaným, jak je znázorněno, zatlačte uzavírací objímku (C) doprava a pak otáčejte ve směru hodinových ručiček, až odemknete zámek (D). Vyklopte zámek (D) do otevřené polohy.
 3. **Navléknutí prvního samonavíjecího zařízení na rozhraní postroje:** Provlékněte nos spojky (E) otočným okem (F) na samonavíjecím zařízení a otočte samonavíjecím zařízením dokola až ke konci se zámkem spojky (G). Zámek lze zavřít, aby se vytvořil prostor pro otočné oko mezi zámkem a hřbetem spojky.
 4. **Poloha rozhraní na postroji okolo pásových popruhů:** Provlékněte nos spojky (E) za pásovémi popruhy (A). Otočte spojku za pásovémi popruhy tak, aby spojka obemykala pásové popruhy.
 5. **Připojení druhého samonavíjecího zařízení k rozhraní postroje:** Přesuňte otočné oko (F) samonavíjecího zařízení přes nos spojky (E) a umístěte otočné oko zařízení na konec s nosem spojky.
 6. **Uzavření rozhraní postroje:** Sklopte zámek (D) do uzavřené polohy a uzavírací objímku (C) otočte zpět do uzamčené polohy. Jakmile je rozhraní postroje uzavřeno, povytáhněte pásové popruhy (A) zpět přes zádový úchyt ve tvaru D, abyste odstranili prověšování popruhů, a zajistěte rozhraní postroje mezi pásovémi popruhy a chráničem zad.
- **Zdvojená karabina 3M® DBI-SALA®:** Zdvojená karabina 3M® DBI-SALA® je určena pro montáž dvou samonavíjecích zařízení Nano-Lok vedle sebe na zádové straně celotělového postroje těsně pod zádovým úchytem tvaru D (viz obrázek 12). Spojení dvou samonavíjecích zařízení Nano-Lok na celotělovém postroji zdvojenou karabinou:
 1. **Uvolněte popruhy postroje:** Povyťáhněte pásové popruhy (A) tam, kde procházejí dolní částí zádového úchyty ve tvaru D (B), až bude dostatek místa k posunutí zdvojeného rozhraní mezi pásovémi popruhy a zádovým chráničem.
 2. **Otevřete zdvojenou karabinu:** Zatlačte nahoru vložku spojky (C), aby se uvolnily svorky (D) ze spojky, a potom vložkou otáčejte, dokud se zámek neodemkne. Zatlačte zámek (E) směrem dovnitř a otevřete spojku.
 3. **Provléčte první samonavíjecí zařízení Nano-Lok zdvojenou karabinou:** Provlékněte nos spojky (F) otočným okem (G) na samonavíjecím zařízení a otočte samonavíjecím zařízením dokola až ke konci se zámkem spojky (H). Zámek lze otočit směrem k nosu, aby se vytvořil prostor pro otočné oko mezi zámkem a hřbetem spojky.
 4. **Umístěte zdvojenou karabinu okolo pásových popruhů:** Provlékněte nos spojky (F) za pásovémi popruhy (A) se zámkem natočeným nahoru. Otáčejte spojku za pásovémi popruhy tak, aby spojka obemykala pásové popruhy.
 5. **Přidejte druhé samonavíjecí zařízení Nano-Lok na zdvojenou karabinu:** Navlékněte otočné oko (G) samonavíjecího zařízení přes nos spojky (F) a umístěte otočné oko samonavíjecího záchytného zařízení na konec s nosem spojky (F). Sklopte zámek (E) do uzavřené polohy.
 6. **Zavřete zdvojenou karabinu:** Otočte vložku spojky (C) dopředu tak, aby se svorky (D) upevnily na spojce. Po správném uzavření by měly pásové popruhy procházet vybráním pro popruhy (J) v horní části vložky spojky a otočná oka samonavíjecího zařízení by měla být zajištěna v dutinách (K) na obou stranách vložky spojky. Jakmile je rozhraní postroje uzavřeno, vytáhněte pásové popruhy (A) zpět přes zádový úchyt ve tvaru D a zádový chránič pro odstranění vůle v popruzích a zajištění spojky mezi pásovémi popruhy a chráničem zad.
- **3M® DBI-SALA® karabina se zdvojeným čepem:** Toto upevnění postroje lze použít k připojení k jednomu samonavíjecímu záchytnému zařízení Nano-Lok nebo ke dvěma samonavíjecím záchytným zařízením Nano-Lok při stoupání do výšky (viz obr. 11), kde je požadováno 100% uvázání:
 1. **Uvolněte popruhy postroje:** Povyťáhněte pásové popruhy (A) tam, kde procházejí dolní částí zádového úchyty ve tvaru D (B), až bude dostatek místa k posunutí zdvojeného rozhraní mezi pásovémi popruhy a zádovým chráničem.
 2. **Pro jednoduchou konfiguraci:** Umístěte otočné oko jednoho samonavíjecího záchytného zařízení do středu otevřeného prostoru.
 3. **Pro dvojitou konfiguraci:** umístěte otočné oko jednoho samonavíjecího záchytného zařízení do otevřeného prostoru co nejbližší čepu a druhého samonavíjecího záchytného zařízení do otevřeného prostoru co nejdále od čepu.
 4. Posuňte čep zpět na místo, dokud neuslyšíte cvaknutí. Čep musí být pevně zajištěn na místě.
 5. Při vysouvání čepu stiskněte zároveň obě tlačítka na postrojové straně spojky. Vysunutím tohoto čepu vznikne otevřený prostor.
 6. Zatáhněte malé množství vůle v popruzích přímo pod zádový úchyt ve tvaru D na vašem postroji. Umístěte postrojovou stranu spojky pod úchyt ve tvaru D.
 7. Zasuňte čep zpět na místo tak, aby spočíval pod oběma vrstvami popruhů postroje, dokud neuslyšíte cvaknutí. Čep musí být pevně zajištěn na místě.

4.0 POUŽITÍ

Uživatelé, kteří samonavíjecí zařízení používají poprvé nebo jen zřídka, se před použitím samonavíjecího zařízení musí seznámit s částí „Bezpečnostní informace“ na začátku této příručky.

- 4.1 PŘED KAŽDÝM POUŽITÍM:** Před každým použitím toto zařízení na ochranu proti pádu pečlivě prohlédněte a ujistěte se, zda je v dobrém stavu. Zkontrolujte, zda nemá opotřebenou nebo poškozenou součásti. Zajistěte, aby všechny šrouby byly na svém místě a byly utažené. Ověřte, zda náležitě funguje odvíjení a navíjení záchytného lana jeho vytažením a pomalým zatažením. Pokud při zatahování lana dojde k jakémukoli bytí i krátkodobému přerušování, měla by jednotka

být vyřazena z provozu a zlikvidována. Na záchytném laně zkontrolujte výskyt naříznutí, roztržení, popálení, drobení a rezivění. Zkontrolujte funkci zamykání prudkým zatažením za lano. Podrobné pokyny ke kontrole najdete v Deníku kontrol a údržby (tabulka 3). Zařízení nepoužívejte, jestliže kontrola zjistí nebezpečný stav.

- 4.2 DOJDE-LI K PÁDU:** Každé zařízení, které bylo vystaveno působení síly při zachycení pádu nebo vykazuje poškození odpovídající působení sil proti pádu, jak je popsáno v tabulce 3, musí být okamžitě vyřazeno z provozu a zlikvidováno.
- 4.3 PODPORA TĚLA:** Při používání samonavíjecího zařízení je nutno používat celotělový postroj. Pro všeobecné použití na ochranu proti pádu připojte zádový úchyt ve tvaru D.
- 4.4 SPOJOVÁNÍ:** Obrázek 5 znázorňuje připojení postroje a ukotvení systému jištění proti pádu se samonavíjecím zařízením. Při použití háku pro připojení zkontrolujte, zda nemůže dojít k nežádoucímu uvolnění (obr. 5). Nepoužívejte karabiny nebo spojky, které plně neobepínají připojovaný objekt. Nepoužívejte háky s pojistným perem bez zámku. Kotvení musí splňovat požadavky na únosnost uvedené v tabulce 2. Dodržujte pokyny výrobce dodané ke každé součásti systému.
- 4.5 PROVOZOVÁNÍ:** Před použitím samonavíjecího zařízení zkontrolujte podle pokynů v tabulce 3. Obrázek 14 znázorňuje připojení systému pro typické použití samonavíjecího zařízení. Připojte samonavíjecí zařízení k odpovídajícímu kotvení nebo namontujte samonavíjecí zařízení na zádovou stranu celotělového postroje podle pokynů v kapitole 3. Na ukotveném samonavíjecím zařízení připojte hák (D) nebo karabinu na indikátor síly k zádovému úchytu ve tvaru D (A) na celotělovém postroji. Po namontování samonavíjecího zařízení na postroj připojte hák (D) nebo karabinu na vhodné kotvení. Zajistěte, aby připojení bylo kompatibilní co do velikosti, tvaru a únosnosti. Ujistěte se, že háky jsou zcela uzavřeny a uzamčeny. Jakmile je pracovník připojen na celé zařízení, může se volně pohybovat běžnou rychlostí v rámci doporučeného pracovního prostoru. Dojde-li k pádu, samonavíjecí zařízení zablokuje lano a zastaví pád. Po použití k záchraně samonavíjecího zařízení vyřadte. Při práci se samonavíjecím zařízením vždy umožněte, aby se záchytné lano kontrolovaně navijelo zpět do zařízení.
- 4.6 100% UVÁZÁNÍ NA ZDVOJENÉ ROZHRAŇÍ SAMONAVÍJECÍHO ZAŘÍZENÍ:** Pokud jsou na zádové straně celotělového postroje namontována dvě samonavíjecí zařízení vedle sebe, je možno používat systém jištění proti pádu se samonavíjecím zařízením pro nepřetržitou ochranu před pádem (100% uvázání) při pracovníkově výstupu, sestupu nebo pohybu do boku (viz obrázek 15). S pramenem bezpečnostního lana jednoho samonavíjecího zařízení připojenou ke kotevnímu bodu se může pracovník přesunout na jiné místo, připojit nevyužitý pramen bezpečnostního lana druhého samonavíjecího zařízení k jinému kotevnímu bodu a pak se odpojit od původního kotevního bodu. Postup se opakuje, dokud pracovník nedosáhne požadovaného umístění. Pro instalaci zdvojeného samonavíjecího zařízení se 100% uvázáním je nutné vzít v potaz následující:
- V žádném případě nepřipojujte obě bezpečnostní lana samonavíjecího zařízení na stejný kotevní bod (viz obr. 16A).
 - Připojení více než jedné spojky do jediného kotvení (kruh nebo oko) může ohrozit kompatibilitu spojení v důsledku interakce mezi spojkami, a proto se nedoporučuje.
 - Připojení každého bezpečnostního lana do samostatného kotevního bodu je přípustné (obr. 16B).
 - Každé připojovací místo musí samostatně unést 10 kN (2248 liber) anebo musí být zkonstruováno jako systém s horizontálně umístěným záchytným lanem.
 - V žádném případě nepřipojujte současně více než jednu osobu do systému zdvojeného samonavíjecího zařízení (obr. 16C).
 - Zabraňte zkroucení nebo zamotání bezpečnostních lan do sebe, protože to může bránit jejich navijení.
 - Při používání nedovolte, aby bezpečnostní lana procházela pod pažemi nebo mezi nohama.
- 4.7 UCHYCENÍ ZÁDOVÉHO ÚCHYTU VE TVARU ZDVOJENÉHO SAMONAVÍJECÍHO ZAŘÍZENÍ:** Modely s karabinou s třípolohovým zámkem lze připevnit k zádovému úchytu ve tvaru D ve zdvojené konfiguraci. Pokyny pro připojení dvou samonavíjecích záchytných zařízení na zádový úchyt ve tvaru D postroje (obrázek 13):
- 1. Otevření karabiny s třípolohovým zámkem:** natočte karabinu s třípolohovým zámkem podle obrázku a zatlačte uzavírací objímku (C) doprava a pak otáčejte ve směru hodinových ručiček, až odemknete zámek (D). Vyklopte zámek (D) do otevřené polohy.
 - 2. Navlečení prvního samonavíjecího zařízení na karabinu s třípolohovým zámkem:** provlékněte nos spojky (E) otočným okem (F) na samonavíjecím zařízení a otočte samonavíjecím zařízením dokola až ke konci se zámkem spojky (G). Zámek lze uzavřít, aby se vytvořil prostor pro otočné oko mezi zámkem a hřbetem spojky.
 - 3. Připojení druhého samonavíjecího zařízení ke karabině s třípolohovým zámkem:** Přesuňte otočné oko (F) samonavíjecího zařízení přes nos spojky (E).
 - 4. Provlečení karabiny s třípolohovým zámkem úchytem ve tvaru D:** Provlékněte nos spojky (E) zádovým úchytem ve tvaru D (A). Otočte spojku úchytem ve tvaru D tak, aby bylo možné zavřít zámek.
 - 5. Zavření karabiny s třípolohovým zámkem:** Sklopte zámek (D) do uzavřené polohy a uzavírací objímku (C) otočte zpět do uzamčené polohy.
- 4.8 HORIZONTÁLNÍ SYSTÉMY:** Při použití, kde je samonavíjecí zařízení použito ve spojení s horizontálním systémem (tj. horizontálně umístěné záchytné lano, horizontální I-profil pro jeřábovou kočku), musejí být samonavíjecí zařízení a složky horizontálního systému kompatibilní. Horizontální systémy musejí být navrženy a nainstalovány pod dohledem kvalifikovaného technika. Bližší údaje naleznete v pokynech od výrobce zařízení pro horizontální systém.

Hodnoty délky pádu na obrázku 4 se odvíjejí od ukotvení k pevnému, statickému kotevnímu bodu a nevztahují se na ukotvení k systému horizontálně umístěných záchytných lan (HLL). Požadované délky pádu zjistíte v příručce pro HLL nebo u montážního technika systému HLL.

5.0 Kontrola

- 5.1 ŠTÍTEK RFID:** Samonavíjecí zařízení obsahuje štítek RFID (Radio Frequency Identification) (viz obrázek 17). Štítek RFID může být použit ve spojení s ručním čtecím zařízením pro zjednodušení inspekce a kontrolní inventury a poskytuje záznamy pro vaše vybavení na ochranu proti pádu. Podrobnosti vám poskytne zástupce péče o zákazníky 3M (viz zadní strana krytu). Postupujte podle pokynů dodaných spolu s ruční čtečkou nebo uvedených na webovém portálu k přenosu vašich dat na váš webový deník.
- 5.2 ČETNOST KONTROL:** Samonavíjecí zařízení je nutno kontrolovat v intervalech definovaných v oddíle 2. Postupy kontroly jsou popsány v *Deníku kontrol a údržby (tabulka 3)*.

Extrémní pracovní podmínky (nepříznivé podmínky okolí, dlouhodobé používání atd.) mohou vyžadovat zvýšení četnosti kontrol (viz tabulku 2).

- 5.3 NEBEZPEČNÝ NEBO VADNÝ STAV ZAŘÍZENÍ:** Pokud kontrola odhalí nebezpečný nebo vadný stav, okamžitě samonavíjecí zařízení vyřadte a zlikvidujte jej (viz oddíl 6).

Opravy tohoto vybavení smí provádět pouze společnost 3M nebo třetí strany s písemným oprávněním.

- 5.4 ŽIVOTNOST VÝROBKU:** Funkční životnost samonavíjecích zařízení 3M je určena pracovními podmínkami a údržbou. Výrobek může být v provozu tak dlouho, dokud vyhovuje kontrolním kritériím (v rozsahu maximální životnosti výrobku). Maximální životnosti samonavíjecích záchranných zařízení s pásovými jisticími popruhy je 10 let od data výroby.

6.0 ÚDRŽBA, SERVIS A SKLADOVÁNÍ

- 6.1 ČIŠTĚNÍ:** Čistící postupy pro samonavíjecí zařízení jsou následující:

- Vnější povrch samonavíjecího zařízení pravidelně čistěte vodou a slabým mýdlovým roztokem. Uvedte samonavíjecí zařízení do polohy, ve které může přebytečná voda odtékat. Dle potřeby očistěte štítky.
- Pásový jisticí popruh čistěte vodou a slabým mýdlovým roztokem. Opláchněte a důkladně osušte vzduchem. Nesušte umělými zdroji tepla. Záchytné lano by mělo být před navinutím do pouzdra suché. Nadměrné nahromadění nečistot, laků apod. může zabránit úplnému navinutí záchytného lana zpět do pouzdra, což vede k potenciálnímu nebezpečí volného pádu.

- 6.2 SERVIS:** Samonavíjecí zařízení nelze opravovat. Pokud bylo samonavíjecí zařízení vystaveno působení pádu nebo kontrola odhalí nebezpečný či vadný stav, okamžitě samonavíjecí zařízení vyřadte a zlikvidujte jej (viz kapitola *Likvidace*).

- 6.3 DOPRAVA/SKLADOVÁNÍ:** Samonavíjecí zařízení skladujte v chladném, suchém a čistém prostředí na místě, kde nejsou vystavena přímému slunečnímu záření. Vyvarujte se uložení v prostorách, kde se mohou vyskytovat chemické výpary. Po delším skladování samonavíjecí zařízení důkladně prohlédněte.

- 6.4 LIKVIDACE:** Samonavíjecí zařízení zlikvidujte, pokud bylo vystaveno silám při jištění proti pádu nebo pokud kontrola odhalí nebezpečný nebo vadný stav zařízení. Před likvidací samonavíjecího záchytného zařízení přeřízněte záchytné lano v polovině nebo samonavíjecí zařízení zablokujte, aby se vyloučila možnost neúmyslného opětovného použití.

7.0 Štítky

Na obrázku 22 jsou znázorněny štítky na samonavíjecích zařízeních a jejich umístění. Veškeré štítky musejí být na samonavíjecím zařízení SDR přítomny. Pokud štítky nejsou zcela čitelné, je nutné je vyměnit. Níže je uveden popis piktogramů na štítcích:

1	Zkontrolujte hák s pojistným perem a indikátor nárazu
2	Zkontrolujte blokovací funkci samonavíjecího záchytného zařízení
3	Správný způsob připojení samonavíjecího záchytného zařízení k postroji
4	Není certifikováno na ostré hrany. Lze připojit ke kotevnímu bodu nad, pod nebo na stejné úrovni s úchytem ve tvaru D (maximálně 140 kg).
5	Teplotní rozsah použití -40 °C až +60 °C
6	Maximální nosnost 140 kg
7	Zajistěte vždy kontrolované navíjení záchytného lana zpět do samonavíjecího záchytného zařízení.
8	Neopravujte!
9	Skladujte v chladném, suchém a čistém prostředí mimo dosah slunečního záření.
10	Nezatěžujte přes hranu
11	Neodstraňujte štítek

Tabulka 3 – Deník kontrol a údržby

Sériové číslo (sériová čísla):		Datum nákupu:	
Číslo modelu:		Datum prvního použití:	
Datum kontroly:		Kontrolu provedl(a):	
Součást:	Kontrola: (Viz Četnost kontrol v kapitole 2)	Vyhovující	Nevyhovující
Samonavíjecí zařízení (Obrázek 18)	Zkontrolujte, zda nejsou uvolněné upevňovací prvky a ohnuté nebo poškozené části.	<input type="checkbox"/>	<input type="checkbox"/>
	Zkontrolujte výskyt deformací, prasklin nebo jiných poškození pouzdra (A).	<input type="checkbox"/>	<input type="checkbox"/>
	Zkontrolujte otočný čep (B) a otočné oko (C) nebo vestavěnou spojku (D), zda nejsou deformovány, nemají trhliny nebo jiná poškození. Otočný čep musí být bezpečně připojen k samonavíjecímu zařízení, ale měl by se volně otáčet. Otočné oko nebo vestavěná spojka by se měla volně otáčet na otočném čepu.	<input type="checkbox"/>	<input type="checkbox"/>
	Pásový jisticí popruh (E) by se měl vysouvat a zasouvat zcela bez zadržávání nebo prověšování lana.	<input type="checkbox"/>	<input type="checkbox"/>
	Ujistěte se, že se samonavíjecí zařízení při prudkém trnutí zablokuje. Zablokování by mělo být spolehlivé, bez prokluzování.	<input type="checkbox"/>	<input type="checkbox"/>
	Všechny štítky musejí být na svém místě a plně čitelné (viz obr. 20).	<input type="checkbox"/>	<input type="checkbox"/>
	Zkontrolujte celé samonavíjecí záchyné zařízení, zda nevykazuje známky koroze.	<input type="checkbox"/>	<input type="checkbox"/>
Koncové spojky (Obrázek 19)	Tabulka 2 uvádí koncové spojky, které by měly být součástí vašeho modelu samonavíjecího zařízení Nano-Lok. Prohlédněte všechny háky s pojistným perem, karabiny, pojistné spojky, rozhraní atd., zda nejeví známky poškození či rezivění a jsou v bezvadném stavu. Jsou-li použity: Zámky by se měly správně otevírat, zavírat, zamykat a odemykat a pojistky zámku a pojistné kolíky by měly řádně fungovat.	<input type="checkbox"/>	<input type="checkbox"/>
Pásový jisticí popruh (Obrázek 20)	Zkontrolujte popruhy – materiál nesmí mít potřhaná (A), roztřepená (B) nebo popraskaná vlákna. Hleďte případné trhliny, odřenyiny, silné znečištění (C), plíseň, spálená místa (D) nebo vyblednutí barev. Prozkoumejte stehy – zkontrolujte, zda nejsou vytažené nebo přerušené nějaké stehy. Přerušené stehy mohou být známkou toho, že postroj byl použit k zachycení pádu a musí být vyřazen.	<input type="checkbox"/>	<input type="checkbox"/>
Tlumič energie (Obrázek 21)	Ověřte, že dosud nebyl aktivován tlumič energie. Známkou použitého tlumiče energie jsou otevřený nebo roztržený kryt (A), popruh vytažený z krytu, natržený nebo prodřený popruh (B), potřhané švy atd.	<input type="checkbox"/>	<input type="checkbox"/>
Nápravné opatření / údržba:		Schválil(a):	
		Datum:	
Nápravné opatření / údržba:		Schválil(a):	
		Datum:	
Nápravné opatření / údržba:		Schválil(a):	
		Datum:	
Nápravné opatření / údržba:		Schválil(a):	
		Datum:	
Nápravné opatření / údržba:		Schválil(a):	
		Datum:	
Nápravné opatření / údržba:		Schválil(a):	
		Datum:	
Nápravné opatření / údržba:		Schválil(a):	
		Datum:	

SIKKERHEDSOPLYSNINGER

Læs alle sikkerhedsoplysninger i denne brugsanvisning og sørg for, at du forstår og følger disse før brug af denne selvtilbagetrækkende anordning. **UNDLADELSE HERAF KAN MEDFØRE ALVORLIG PERSONSKADE ELLER DØDSFALD.**

Disse anvisninger skal udleveres til brugeren af udstyret. Opbevar denne vejledning til senere brug.

Anvendelsesformål:

Denne selvtilbagetrækkende anordning er beregnet til brug som en del af et komplet personligt faldsikringssystem.

Enhver anden brug end denne, herunder, men ikke begrænset til, materialehåndtering, rekreative eller sportslige aktiviteter eller andre aktiviteter, der ikke er beskrevet i brugervejledningen, er ikke godkendt af 3M og kan medføre alvorlig skade eller død.

Denne anordning må kun benyttes af uddannede brugere til anvendelse på arbejdspladsen.

! ADVARSEL

Denne selvtilbagetrækkende anordning er en del af et personligt faldsikringssystem. Det forventes, at alle brugere er fuldt uddannet i sikker installation og drift af deres personlige faldsikringssystem. **Misbrug af denne anordning kan medføre alvorlig skade eller død.** Jævnfør denne brugervejledning samt alle producentens anbefalinger, tal med din vejleder eller kontakt 3M's tekniske service vedrørende korrekt valg, drift, installation, vedligeholdelse og servicering.

- **For at reducere risiciene ved at arbejde med en selvtilbagetrækkende anordning, som, hvis de ikke undgås, kan medføre alvorlig skade eller død, skal du:**
 - Inspicere den selvtilbagetrækkende anordning før hver brug og tjekke, at den er låst og trukket tilbage på korrekt vis.
 - Hvis eftersynet afslører usikre eller defekte tilstande, skal udstyret tages ud af drift og repareres eller udskiftes i overensstemmelse med brugervejledningen.
 - Hvis den selvtilbagetrækkende anordning har været udsat for faldsikring eller slagkraft, skal den selvtilbagetrækkende anordning straks tages ud af drift og markeres med 'UDE AF DRIFT'.
 - Sørg for, at livlinen holdes fri for enhver og alle forhindringer, herunder, men ikke begrænset til: sammenfiltrering med maskiner eller udstyr, som bevæger sig (f.eks. det øverste drev på olieplatforme), andre arbejdstagere, dig selv, omkringliggende genstande eller nedslag af genstande ovenfra, som kan falde ned på livlinen eller arbejdstageren.
 - Lad aldrig livlinen hænge løst. Undgå at binde livlinen sammen eller binde knuder på den.
 - Fastgør den selemonterede selvtilbagetrækkende anordnings ikke-benyttede ben til selens parkeringsmontering(er), hvis selen er udstyret hermed.
 - Må ikke anvendes ved hindret faldlinje. Hvis der arbejdes med langsomt skiftende materiale, såsom sand eller korn, eller inden for et snævert eller trangt område, vil arbejdstageren eventuelt ikke opnå tilstrækkelig hastighed til automatisk låsning af den selvtilbagetrækkende anordning.
 - Undgå pludselige eller hurtige bevægelser under normal arbejdsangang. Dette kan forårsage, at enheden låses fast.
 - Sørg for, at faldsikringssystemer/-undersystemer, der er samlet fra komponenter, der er fremstillet af forskellige fabrikanter, er kompatible og opfylder kravene i relevante standarder, inklusive ANSI Z359 eller andre gældende regulativer, standarder for eller krav til faldbekyttelse. Opsøg altid en kompetent og/eller kvalificeret person, før du anvender disse systemer.
- **For at reducere risici i forbindelse med højdearbejde, som, hvis de ikke undgås, kan medføre alvorlig skade eller død:**
 - Sørg for, at dit helbred og din kondition gør dig i stand til sikkert at kunne modstå alle de kræfter, der er forbundet med højdearbejde. Rådfør dig med din læge, hvis du har spørgsmål vedrørende din evne til at bruge dette udstyr.
 - Overstig aldrig den tilladte kapacitet for dit faldsikringsudstyr.
 - Overstig aldrig den maksimale faldafstand fra dit faldsikringsudstyr.
 - Brug ikke faldsikringsudstyr, som ikke virker ved forudgående brug eller planlagte inspektioner, eller hvis du er bekymret for udstyrets brug eller egnethed til det tilsigtede formål. Kontakt 3M's tekniske service med eventuelle spørgsmål.
 - Kombinationer med visse delsystemer og komponenter kan forstyrre driften af dette udstyr. Brug kun kompatible forbindelser. Rådfør dig med 3M, før du bruger dette udstyr sammen med andre komponenter eller delsystemer end dem, der er beskrevet i brugervejledningen.
 - Vær særligt forsigtig, når du arbejder i nærheden af maskiner, som bevæger sig (f.eks. øverste drev på olieplatforme), elektrisk kortslutning, ekstreme temperaturer, kemiske farer, eksplosive eller giftige gasser, skarpe kanter eller under overliggende materialer, som kan falde ned på dig eller dit faldsikringsudstyr.
 - Brug Arc Flash eller Hot Works (dvs. passende beskyttelses)-anordninger, når du arbejder i miljøer med ekstrem varme.
 - Undgå overflader og genstande, som kan beskadige brugeren eller udstyret.
 - Sørg for tilstrækkelig faldafstand ved højdearbejde.
 - Faldsikringsudstyret må aldrig modificeres eller ændres. Kun 3M eller parter, som 3M skriftligt har bemyndiget, må foretage reparationer på udstyret.
 - Før brug af faldsikringsudstyret skal du sørge for at have en redningsplan, som muliggør hurtig redning i tilfælde af fald.
 - Hvis der sker et fald, søges straks lægehjælp for den faldne arbejdstager.
 - Brug ikke et kropsbælte til anvendelser, der involverer faldsikring. Må kun benyttes med komplet kropssele.
 - Svingfald kan minimeres ved så vidt muligt at arbejde lige under forankringspunktet.
 - Hvis der øves med denne anordning, skal der benyttes sekundært faldbeskyttelsesudstyr på en sådan måde, at lærlingen ikke udsættes for utilsigtet faldrisiko.
 - Brug altid passende personlige værnemidler under installation, brug eller inspektion af enheden/systemet.

Inden udstyret tages i brug, skal produktidentifikationsoplysningerne fra ID-mærkatet noteres i inspektions- og vedligeholdelsesloggen på bagsiden af denne manual.

BESKRIVELSE:

Figur 2 identificerer vigtige komponenter i 3M™ DBI-SALA® Nano-Lok selvopruddende anordninger (SRD'er). Nano-Lok SRD'er er tromleomviklede remlivlinier (A) med en energiabsorberende komponent i linien (B), der trækker sig ind i et nylonhus (C). Et drejehøje (D) ovenpå kabinettet muliggør fastgøring til et godkendt forankringsforbindelsespunkt med en karabinhage (E) eller montering af en helkropssele med en selesammenkobling (F). Figur 1 identificerer tilgængelige Nano-Lok-modeller og deres forbindelseskonfigurationer. Se tabel 1 for Nano-Lok SRD og forbindelsesspecifikationer.

Tabel 1 – Specifikationer

Komponentspecifikationer:

SRL-kabinetter	Nylon
Tromle	Nylon
Indvendige komponenter	Rustfrit stål, aluminium
Remtøjslivline	Dyneema polyester
Energiabsorberende komponent	Dæksel: Nitrilgummi, Remtøj: Polyester, Syning: Polyester eller nylontråd
Drejemechanisme	Galvaniseret stål

Forbindelsesspecifikationer:

	Beskrivelse	Materiale	Ledåbning	Ledstyrke	Elastisk styrke
①	Forankringsøje	Stål	22,35 mm (0,88 tomme) indre diameter	X	22,2 kN (5000 pund)
②	Karabinhage	Aluminium	19 mm (3/4 tomme)	16 kN (3600 pund)	22,2 kN (5000 pund)
③	Karabinhage	Stål	19 mm (3/4 tomme)	16 kN (3600 pund)	22,2 kN (5000 pund)
④	Enkelt SRL-sammenkobling	Stål	51 mm (2 tommer)	16 kN (3600 pund)	22,2 kN (5000 pund)
⑤	Dobbelt SRD-sammenkobling	Stål med nylonindsats	19 mm (3/4 tomme)	16 kN (3.600 pund)	22,2 kN (5000 pund)
⑥	Karabinhage	Aluminium, stål	56 mm (2,19 tommer)	16 kN (3600 pund)	22,2 kN (5000 pund)
⑦	Karabinhage	Aluminium	19 mm (3/4 tomme)	16 kN (3600 pund)	22,2 kN (5000 pund)
⑧	Sikkerhedskrog	Aluminium	57 mm (2 1/4 tomme)	16 kN (3600 pund)	22,2 kN (5000 pund)
⑨	Sikkerhedskrog	Aluminium	63 mm (2 1/2 tomme)	16 kN (3600 pund)	22,2 kN (5000 pund)
⑩	Karabinhage	Aluminium	52 mm (2 tommer)	16 kN (3600 pund)	22,2 kN (5000 pund)
⑪	Sikkerhedskrog	Aluminium, stål	63 mm (2 1/2 tomme)	16 kN (3600 pund)	22,2 kN (5000 pund)
⑫	Karabinhage	Stål	19 mm (3/4 tomme)	16 kN (3600 pund)	22,2 kN (5000 pund)
⑬	Sikkerhedskrog	Aluminium	57 mm (2 1/4 tomme)	16 kN (3600 pund)	22,2 kN (5000 pund)
⑭	Snappkrog	Stål	19 mm (3/4 tomme)	16 kN (3600 pund)	22,2 kN (5000 pund)

Performance-specifikationer:

SRL-specifikationer (lodret)	CE-modeller	
Kapacitetsrækkevidde	59 kg - 100 kg (130 pund - 220 pund)	100 kg - 140 kg (220 pund - 310 pund)
Maksimal standsekraft	6 kN (1350 pund)	6 kN (1350 pund)
Gennemsnitlig standsekraft	4 kN (900 pund)	4 kN (900 pund)
Påkrævet maksimal standseafstand¹	0,61 m (24 tommer)	0,61 m (24 tommer)
Minimal faldafstand påkrævet¹	1,5 m (5 fod)	1,8 m (5,8 fod)
Maksimalt frit fald²	1,5 m (5 fod)	1,5 m (5 fod)

1 - Forudsætter at SRL'en er monteret direkte over (overliggende) slutbrugeren.

2 - Målt fra brugerens D-ring til gå/arbejdsstedet. Se faldafstandsskemaer for oplysninger.

1.0 ANVENDELSE

- 1.1 FORMÅL:** Selvsprængende anordninger (SRD'er) er designet til at være komponenter i et personligt faldsikringssystem (PFAS). Figur 1 viser SRD'er, der er dækket af denne brugsanvisning. De kan anvendes i de fleste situationer, hvor der er behov for en kombination af arbejdsmobilitet og faldsikring af arbejderne (for eksempel inspektionsarbejde, alment konstruktionsarbejde, vedligeholdelsesarbejde, olieproduktion, arbejde i indsnævrede rum osv.).
- 1.2 STANDARDER:** Din SRD lever op til de nationale eller regionale standarder, der er angivet på forsiden af denne brugsanvisning. Der henvises til gældende lokale og nationale krav vedrørende erhvervs-mæssig sikkerhed for yderligere oplysninger om personlig faldsikring.
- 1.3 UDDANNELSE:** Dette udstyr skal anvendes af personer, der har modtaget uddannelse i korrekt anvendelse og brug heraf. Det er brugerens ansvar at sikre, at de er bekendt med denne vejledning, og at de har modtaget uddannelse i korrekt pleje og brug af dette udstyr. Brugere skal være bekendt med funktionsmæssige egenskaber, anvendelsesbegrænsninger og konsekvenser af forkert brug.
- 1.4 BEGRÆNSNINGER:** Tag altid højde for de følgende begrænsninger, når udstyret installeres eller anvendes:

- **Kapacitet:** SRD'er er til brug af én person med en kombineret vægt (tøj, værktøj, osv.), der svarer til *kapacitetsområdet*, der er angivet i tabel 1. Sørg for, at alle komponenter i dit system er klassificeret til en kapacitet, som svarer til din anvendelse.
- **Forankring:** Forankringsstrukturen til SRD'en skal kunne bære en belastning på 12 kN (2.697 pund). Forankringsanordninger skal overholde EN795 eller andre gældende standarder for forankringsforbindelser. Forankring for Australien/New Zealand skal kunne klare belastninger på op til 15 kN (3.300 pund).
- **Låsningshastighed:** Situationer, som ikke muliggør en uhindret faldvej, bør undgås. Arbejde i snævre eller trange områder eller på en skrå overflade vil muligvis ikke lade kroppen nå en tilstrækkelig hastighed til, at SRD'en låser i tilfælde af et fald. Arbejde på langsomt rykkende materialer såsom sand eller korn giver muligvis ikke tilstrækkelig hastighed til, at SRD'en låser. Der kræves uhindret faldlinje for at sikre låsning af den selvtilbagetrækkende anordning.
- **Frit fald:** Når den er forankret over hovedet, vil SRD'en begrænse frit fald til 0,6 m (2 fod)¹. For at undgå større faldlængder skal SRD'en forankres direkte over arbejdsniveauet. Forbind aldrig SRD'en til et ankerpunkt, der vil medføre et frit fald på over 1,5 m (5 fod). Undgå at arbejde på steder, hvor din livline kan krydse eller sammenfiltres med en anden arbejders livline. Undgå at arbejde, hvor genstande kan falde ned og ramme livlinen og medføre, at man mister balancen, eller at livlinen beskadiges. Lad ikke livlinen gå ind under armene eller mellem benene. Livlinen må aldrig klemmes fast, bindes eller på anden måde forhindres i at rulle sig op eller være stram. Undgå en slap line. **Undlad at forlænge SRD'en ved at tilkoble et taljereb eller en lignende komponent uden først at rådføre dig med 3M.**
- **Svingfald:** Svingfald sker, når forankringspunktet ikke er direkte over det punkt, hvor faldet finder sted. Den kraft, der udøves, når en genstand rammes i et svingfald, kan forårsage alvorlig personskade (se figur 3A). Svingfald kan minimeres ved så vidt muligt at arbejde lige under forankringspunktet (figur 3B). Når der arbejdes væk fra forankringspunktet (figur 3C), øges virkningen af et svingfald og den krævede faldafstand (FC).
- **Faldafstand:** Figur 3B viser beregning af faldafstand. Faldafstand (FC) er summen af frit fald (FF), decelerationsafstand (DD) og en sikkerhedsfaktor (SF): $FC = FF + DD + SF$. D-ringens glidning og selestrækning er indregnet i sikkerhedsfaktoren. Værdier for faldafstand er beregnet og anført i figur 4. A sikkerhedsfaktor på 1 m (3,28 fod) blev anvendt for alle værdier i figur 4.

Figur 4 viser faldafstand (FC) baseret på den vandrette (H) og lodrette (V) distance mellem SRD-tilslutningen på ryggen og forankringspunktet. Hver vandrette gitterlinje i diagrammerne repræsenterer den lodrette afstand fra forankringspunktet. Hver lodrette gitterlinje repræsenterer den vandrette afstand fra forankringspunktet. Værdien for faldafstand (FC) bestemmes af den zone (paraboliske linjer) hvori de vandrette (H) og lodrette (V) gitterlinjer krydser hinanden. Eksemplet i figur 4 viser, hvordan de krævede værdier for faldafstand (FC) bestemmes for de angivne lodrette (V) og vandrette (H) afstande.

Variable ankerpunkter: Faldafstandene i figur 4 er baseret på et stift, fast ankerpunkt. Hvis der forankres til en vandret livline (HLL) eller et ankerpunkt, der kan bevæge sig, skride eller deformere under et fald, vil faldafstandsværdierne fra figur 4 ikke gælde. Se vejledningen for HLL'en eller ankeret for yderligere oplysninger vedrørende krævede faldafstande, afbøjninger og/eller deformation.

Ved knælende eller hugsiddende stilling: Afstandstabellerne i figur 4 antager, at arbejderne er i stående stilling. Hvis arbejderne skal knæle eller sidde på hug, skal der tilføjes en faldlængde på yderligere 0,9 m (3 fod).

Søg aldrig forankring under fødderne: Forbind aldrig til et forankringspunkt under dine fødder.

- **Farer:** Når dette udstyr anvendes i farlige områder, kan det være nødvendigt at træffe yderligere forholdsregler for at reducere risikoen for, at brugeren kommer til skade, eller at udstyret beskadiges. Faremomenter kan omfatte men er ikke begrænset til: stærk varme, ætsende kemikalier, korrosive miljøer, højspændingsledninger, eksplosive eller giftige gasser, kørende maskineri eller overliggende materialer, som kan falde ned og ramme brugeren eller faldsikringssystemet. Undgå at arbejde på steder, hvor din livline kan krydse eller sammenfiltres med en anden arbejders line. Undgå at arbejde, hvor genstande kan falde ned og ramme livlinen og medføre, at man mister balancen, eller at livlinen beskadiges. Lad ikke livlinen gå ind under armene eller mellem benene.
- **Skarpe kanter:** Skarpe kanter, som SRD-livlinen kan komme i kontakt med under et fald, skal have en minimumsradius på 0,3 cm (0,125 tommer). Hvor kontakt med en skarp kant ikke kan undgås, skal kanten dækkes med et beskyttende materiale.

¹ **Frit fald:** Korrekt anvendelse af SRD'en, hvor brugeren arbejder direkte under forankringspunktet, og livlinen ikke er slap, vil eliminere frit fald. Se figur 4 for acceptable placeringer af forankring.

2.0 Systembrug

- 2.1 FALDSIKRINGS- OG REDNINGSPLAN:** Arbejdsgiveren skal have faldsikrings- og redningsplan. Planen bør omfatte retningslinjer og krav til en arbejdsgivers administrerede faldsikringsprogram inklusive politikker, pligter og træning, faldsikringsprocedurer, bortskaffelse og kontrol af farer ifm. fald, redningsprocedurer, hændelsesundersøgelser og evaluering af programmets effektivitet.
- 2.2 INSPEKTIONSHYPPIGHED:** SRD'er skal efterses af den autoriserede person¹ eller redder² før hver anvendelse (se tabel 3). Herudover skal der udføres inspektion af en kvalificeret person³, der ikke er brugeren. Ekstreme arbejdsforhold (barsk miljø, langvarig brug osv.) kan gøre det nødvendigt at øge hyppigheden af inspektioner af den kvalificerede person. Den kompetente person skal benytte *inspektionsprogrammet* (tabel 2) for at bestemme passende intervaller for eftersyn. Inspektionsprocedurer er beskrevet i *inspektions- og vedligeholdelsesloggen* (tabel 3). Resultaterne af den kvalificerede persons inspektion skal registreres i *inspektions- og vedligeholdelsesloggen* eller med radiofrekvensidentifikations (RFID)-systemet (se afsnit 5).
- 2.3 NORMAL FUNKTION:** Under normal funktion rulles livlinen ud og op igen uden modstand og uden at blive slap, når arbejderen bevæger sig med normal hastighed. I tilfælde af et fald vil et hastighedsfølsomt bremsesystem blive aktiveret og stoppe faldet samt absorbere en stor del af den skabte energi. Pludselige eller hurtige bevægelser bør undgås under normal arbejdsgang, da det kan medføre, at SRD'en låser. For fald, som sker nær slutningen af livlinens vandring, er der indbygget et reservelivlinesystem eller en energiabsorberende komponent for at reducere kraften i faldstandsningen.
- 2.4 KROPSSELE:** Der skal anvendes en helkropssele med den selvopullende anordning. Selen samlingspunkt skal være over brugerens tyngdepunkt. Det er ikke tilladt at anvende et kropsbælte sammen med den selvopullende anordning. Hvis der sker et fald, mens der bruges et kropsbælte, kan det medføre utilsigtet udløsning eller fysisk trauma fra forkert kropsstøtte.
- 2.5 KOMPONENTKOMPATIBILITET:** Medmindre andet er anført, må 3M-udstyr kun bruges sammen med 3M-godkendte komponenter og delsystemer. Udskiftning eller reparation med ikke-godkendte komponenter eller delsystemer kan bringe udstyrets kompatibilitet i fare og kan påvirke det komplette systems sikkerhed og pålidelighed.
- 2.6 KONNEKTORKOMPATIBILITET:** Konnektorer betragtes sompatible med forbindelsesplaner, når de er konstrueret til at fungere sammen på en sådan måde, at størrelserne og formerne ikke får deres ledmekanismer til utilsigtet at åbne sig, uanset hvordan de bliver vendt. Kontakt 3M, hvis du har spørgsmål vedrørende kompatibilitet. Konnektorer (kroge, karabinhager og D-ringe) skal kunne klare en belastning på mindst 22,2 kN (5.000 pund). Konnektorer skal værepatible med forankringen og andre systemkomponenter. Anvend ikke udstyr, der ikke er kompatibelt. Ikkepatible konnektorer kan blive adskilt ved et uheld (se figur 5). Konnektorer skal værepatible med hensyn til størrelse, form og styrke. Der kræves selvåbende snapkroge og karabinhager. Hvis tilslutningselementet, som en snapkrog eller karabinhage er fastgjort til, er for lille eller har en uregelmæssig form, kan der opstå en situation, hvor tilslutningselementet belaster snapkrogens eller karabinhagens led (A). Denne belastning kan medføre, at leddet åbnes (B), således at snapkrogen eller karabinhagen løsriver fra forbindelsespunktet (C).
- 2.7 FORBINDELSER:** Snapkroge og karabinhager anvendt med dette udstyr skal være selvåbende. Sørg for, at alle forbindelser erpatible i størrelse, form og styrke. Anvend ikke udstyr, der ikke er kompatibelt. Sørg for, at alle konnektorer er helt lukkede og låste. 3M-konnektorer (snapkroge og karabinhager) er udelukkende konstrueret til brug som specificeret i hvert produkts brugsanvisning. Se figur 6 for eksempler på forkerte sammenslutninger.

Tilslut ikke snapkroge og karabinhager:

- Til en D-ring, som en anden konnektor er fastgjort til.
- På en måde, som vil medføre belastning på leddet. Store snapkroge med halsåbning bør ikke forbindes til en D-ring i standardstørrelse eller til lignende genstande, der vil medføre en belastning på leddet, hvis krogen eller D-ringen vrides eller drejes, medmindre snapkrogen er udrustet med en 16 kN-port (3.600 pund).
- I en forkert sammenkobling, hvor størrelsen eller formen af de sammenkoblede forbindelser ikke erpatible, og hvor forbindelser uden visuel bekræftelse ser ud til at være helt sammenkoblede.
- Til hinanden.
- Direkte til selen, taljerebet eller forankringslinen (medmindre producentens vejledning for både taljerebet og konnektor specifikt tillader en sådan tilslutning).
- Til en genstand med en form eller størrelse, som gør, at snapkrogen eller karabinhagen ikke vil lukke og låse, eller som kan få linen til at rulle sig ud.
- På en måde, som forhindrer konnektoren i at flugte korrekt under belastning.

Tabel 2 – Inspektionsskema

Brugstype	Eksempler på anvendelse	Brugsbetingelser	Inspektionshyppighed
			Kvalificeret person
Lejlighedsvis til let	Redning og snævre områder, fabriksvedligeholdelse	Gode opbevaringsbetingelser, indendørs eller lejlighedsvis udendørs brug, stuetemperatur, rene omgivelser	Årligt
Moderat til massiv	Transport, boligbyggeri, forsyningsværker, lagerbygninger	Rimelige opbevaringsbetingelser, indendørs og omfattende udendørs brug, alle temperaturer, rene eller støvede omgivelser	Halvårligt til årligt
Alvorlig til kontinuerlig	Erhvervsbyggeri, olie og gas, minearbejde	Barske opbevaringsbetingelser, langvarig eller kontinuerlig udendørs brug, alle temperaturer, beskidte omgivelser	Kvartalsvist til halvårligt

1 Autoriseret person: En person, der er udpeget af arbejdsgiveren til at udføre opgaver på en beliggenhed, hvor personen vil være udsat for en faldrisiko.

2 Redder: Person eller personer, udover den person, der bliver reddet, som handler for at foretage en assisteret undsætning ved brug af et redningssystem.

3 Kvalificeret person: Et individ, der af arbejdsgiveren er udpeget til at være ansvarlig for det umiddelbare tilsyn, implementering og overvågning af arbejdsgiverens anvendte faldsikringsprogram, som, gennem uddannelse og viden, er i stand til at identificere, vurdere og afhjælpe eksisterende og potentielle risici for fald, og som på arbejdsgiverens vegne har tilladelse til straks at træffe korrigerende foranstaltninger med hensyn til sådanne risici.

3.0 Installation

- 3.1 PLANLÆGNING:** Planlæg dit faldsikringssystem, inden du starter arbejdet. Tag højde for alle faktorer, der kan påvirke din sikkerhed inden, under og efter et fald. Overvej alle krav og begrænsninger angivet i afsnit 2.

I de fleste brugssituationer kan Nano-Lok SRD'en tilsluttes forankringen eller ryggen af selen. Den kan vende på begge måder; bortset fra undtagelsen beskrevet i afsnit 4

- 3.2 FORANKRING:** Figur 7 viser almindelige SRD-forankringstilslutninger. Vælg et forankringssted med minimal risiko for frit fald og svingfald (se afsnit 1). Vælg et fast forankringspunkt, der er i stand til at modstå de statiske belastninger, der er beskrevet i afsnit 1. Når forankring over hovedet ikke er mulig, kan Nano-Lok SRD'er fastgøres til et forankringspunkt under niveauet for D-ringen på brugerens ryg. For brugere på op til 140 kg (310 pund) må forankringspunktet ikke være mere end 1,5 m (5 fod) under D-ringen på ryggen.

- 3.3 SELEMONTERING:** Nogle SRD-modeller har en enkelt SRD eller dobbelt SRD til montering af SRD'en/-erne på helkropsselen lige under D-ringen på ryggen:

Nogle helkropsseler er udstyret med et personligt SRD-link (PSRL-link), som integrerer D-ringen på ryggen med fastgørelseselementer til selvopruhlende anordninger monteret på faldselen (figur 8). Det er også tilladt at slutte SRD'en til D-ringen på ryggen med en karabinhage eller snapkrog.

- **Montering af enkel SRD-sele:** Hvor brugerens mobilitet er afgørende, kan en SRD-selesammenkobling anvendes til at montere SRD'en bag på en helkropsselle lige under D-ringen på ryggen (se figur 9). Brugeren kan derefter koble til forskellige forankringspunkter på stedet med SRD'ens taljereb, uden at skulle geninstallere SRD'en gentagne gange. For at montere SRD på en helkropsselle med SRD-selesammenkoblingen:

1. **Løsn faldselens remtøj:** Træk ud i remstropperne (A), hvor de passerer gennem det nederste af D-ringen på ryggen (B), indtil der er tilstrækkelig plads til at indsætte SRD-selesammenkoblingen mellem remstropperne og D-ringspuden.
2. **Åbn selesammenkoblingen:** Tryk låseknapperne (C) ned samtidigt, og træk låsestiften (D) ud.
3. **Sæt SRD'en på selesammenkoblingen:** Indsæt det åbne led i selesammenkoblingen via forankringsøjet på SRD'en (E). Før sammenkoblingen gennem forankringsøjet, så SRD'en hænger fra basis af selesammenkoblingen (F).
4. **Placér selesammenkoblingen rundt om remstropperne:** Placér selesammenkoblignens åbne led rundt om de løse remstropper (A).
5. **Luk selesammenkoblingen:** Skub selesammenkoblignens låsestiften (D) gennem de løse remstropper (A) indtil den låses på plads i den modsatte ende af selesammenkoblingen. Træk remstropperne tilbage gennem D-ringen på ryggen og rygpuden for at fastgøre selesammenkoblingen.

Det røde bånd på knapenden af selesammenkoblignens låsestift vil være synligt, hvis selesammenkoblingen ikke er låst. For at undgå utilsigtet udløsning af tilslutningen, skal du altid sikre, at selesammenkoblingen er låst, før du bruger selen og den tilsluttede SRD. Udeladelse heraf kan medføre alvorlig personskade eller dødsfald.

- **Montering af dobbelt SRD-sele:** Ved anvendelse til klatring, hvor der kræves 100 % afsnøring, kan SRD-selesammenkoblingen bruges til at montere to SRD'er ved siden af hinanden bag på helkropsselen lige under D-ringen på ryggen (se figur 9). For at montere to SRD'er på en helkropsselle med den dobbelte SRD-selesammenkobling:

1. **Løsn faldselens remtøj:** Træk ud i remstropperne (A), hvor de passerer gennem det nederste af D-ringen på ryggen (B), indtil der er tilstrækkelig plads til at indsætte SRD-selesammenkoblingen mellem remstropperne og D-ringspuden.
2. **Åbn selesammenkoblingen:** Tryk låseknapperne (C) ned samtidigt, og træk låsestiften (D) ud.
3. **Sæt SRD'erne på selesammenkoblingen:** Indsæt det åbne led i selesammenkoblingen via forankringsøjet på hver SRD (E). Før sammenkoblingen gennem forankringsøjet, så SRD'erne hænger fra basis af selesammenkoblingen (F).
4. **Placér selesammenkoblingen rundt om remstropperne:** Placér selesammenkoblignens åbne led rundt om de løse remstropper (A).
5. **Luk selesammenkoblingen:** Skub selesammenkoblignens låsestiften (D) gennem de løse remstropper (A) indtil den låses på plads i den modsatte ende af selesammenkoblingen. Træk remstropperne tilbage gennem D-ringen på ryggen og rygpuden for at fastgøre selesammenkoblingen.

Det røde bånd på knapenden af selesammenkoblignens låsestift vil være synligt, hvis selesammenkoblingen ikke er låst. For at undgå utilsigtet udløsning af tilslutningen, skal du altid sikre, at selesammenkoblingen er låst, før du bruger selen og den tilsluttede SRD. Udeladelse heraf kan medføre alvorlig personskade eller dødsfald.

- **Montering af dobbelt SRD fastgjort D-ring-sele:** Ældre ExoFit-helkropsseler med fast D-ring kræver en særlig SRD-selesammenkobling for at montere to SRD'er bag på selen lige under D-ringen på ryggen. Sådan monteres to SRD'er på en ExoFit-helkropssele med SRD-sammenkoblingen med fastgjort D-ring (figur 10):
 1. **Løsn faldselens remtøj:** Træk ud i remstropperne (A), hvor de passerer gennem det nederste af D-ringen på ryggen (B), indtil der er tilstrækkelig plads til at indsætte SRD-selesammenkoblingen mellem remstropperne og rygpuden.
 2. **Åbn selesammenkoblingen:** Med SRD-selesammenkoblingen vendt som vist, skubbes låsemuffen (C) til højre og drejes derefter med uret for at låse leddet (D) op. Sving leddet (D) ned for at åbne.
 3. **Sæt den første SRD fast på selesammenkoblingen:** Indsæt spidsen af konnektoren (E) gennem forankringsøjjet (F) på SRD'en og drej SRD'en rundt til ledenden af konnektoren (G). Leddet kan lukkes for at give plads til forankringsøjjet mellem leddet og ryggen af konnektoren.
 4. **Placér selesammenkoblingen rundt om remstropperne:** Indsæt spidsen af konnektoren (E) bag remstroppen (A). Drej konnektoren bag remstropperne indtil konnektoren omringer remstropperne.
 5. **Sæt den anden SRD på selesammenkoblingen:** Før SRD'ens forankringsøje (F) over spidsen af konnektoren (E) og placér SRD-forankringsøjjet i den spidse ende af konnektoren.
 6. **Luk selesammenkoblingen:** Lad leddet (D) lukke sig og låsemuffen (C) dreje tilbage til låst position. Når selesammenkoblingen er lukket, trækkes remstropperne (A) tilbage gennem D-ringen på ryggen for at fjerne slør i remmene, og selesammenkoblingen fastgøres mellem remstropperne og rygpuden.
- **3M® DBI-SALA® Dobbelt karabinhage:** 3M® DBI-SALA® dobbelt karabinhage er designet til at montere to Nano-Lok SRD'er side-om-side på ryggen af en helkropssele lige under D-ringen på ryggen (se figur 12). For at montere to Nano-Lok SRD'er på en helkrops-faldsele med dobbelt karabinhage:
 1. **Løsn faldselens remtøj:** Træk ud i remstropperne (A), hvor de passerer gennem det nederste af D-ringen på ryggen (B), indtil der er tilstrækkelig plads til at indsætte tobens-SRD-sammenkoblingen mellem remstropperne og D-ringspuden.
 2. **Åbn den dobbelte karabinhage:** Tryk op på konnektorindsats (C) for at frigøre klemmerne (D) fra konnektoren og sving konnektorindsatsen op for at låse leddet op. Skub leddet (E) indad for at åbne konnektoren.
 3. **Før først Nano-Lok SRD ind i den dobbelte karabinhage:** Indsæt spidsen af konnektoren (F) gennem forankringsøjjet (G) på SRL'en og drej SRL'en rundt til ledenden af konnektoren (H). Leddet kan drejes mod spidsen for at give plads til forankringsøjjet mellem leddet og ryggen af konnektoren.
 4. **Placér den dobbelte karabinhage rundt om remtøjet:** Med leddet vendt opad indsættes spidsen af konnektoren (F) bag remstropperne (A). Drej konnektoren bag remstropperne indtil konnektoren omringer remstropperne.
 5. **Tilføj den anden Nano-Lok SRD på den dobbelte karabinhage:** Før SRL'ens forankringsøje (G) over spidsen af konnektoren (F) og placér SRL-forankringsøjjet i den spidse ende af konnektoren (F). Sving leddet (E) så det lukker.
 6. **Luk den dobbelte karabinhage:** Drej konnektorindsatsen (C) fremad så klemmerne (D) fastgøres på konnektoren. Når den er korrekt lukket, skal remstropperne passere gennem hullet i remtøjet (J) øverst på konnektorindsatsen, og SRL-forankringsøjjet skal være fastgjort i forsænkningerne (K) på begge sider af konnektorindsatsen. Når selesammenkoblingen er lukket, trækkes remstropperne (A) tilbage gennem D-ringen på ryggen og D-ring-puden for at fjerne slør i remmene, og konnektoren fastgøres mellem remstropperne og D-ring-puden.
- **3M® DBI-SALA® Dobbeltstift karabinhage:** Dette selefastgørelseselement kan bruges til at montere en Nano-Lok SRL eller to Nano-Lok SRL'er til anvendelse ved klatring (se figur 11), når der er brug for 100 % afsnøring:
 1. **Løsn faldselens remtøj:** Træk ud i remstropperne (A), hvor de passerer gennem det nederste af D-ringen på ryggen (B), indtil der er tilstrækkelig plads til at indsætte tobenssammenkoblingen mellem remstropperne og D-ringspuden.
 2. **Til enkelt konfiguration:** Placér forankringsøjjet på en enkelt SRL i midten af et åbent mellemrum.
 3. **Til dobbelt konfiguration:** Placér forankringsøjjet fra en SRL i det åbne mellemrum tættest på stift og en SRL i det åbne mellemrum længst væk fra stift.
 4. Skub stift tilbage på plads, til du hører et klik. Stiftet er nu låst sikkert på plads.
 5. Tryk samtidigt på de to knapper på selens side af konnektoren, mens stiftet skubbes ud. Når denne stift skubbes ud, opstår der et åbent mellemrum.
 6. Træk en lille smule løs line op i remtøjet direkte under D-ringen på ryggen af din sele. Placér selensiden af konnektoren under D-ringen.
 7. Skub stiftet tilbage på plads, og sørg for at stiftet stadig er under begge lag af seleremtøjet, indtil du hører et klik. Stiftet er nu låst sikkert på plads.

4.0 DRIFT

Personer, der bruger selvoprullende anordninger (SRD'er) for første gang, eller kun bruger dem sjældent, bør gennemgå "Sikkerhedsoplysninger" i starten af denne vejledning før brug af SRD'en.

- 4.1 FØR HVER IBRUGTAGNING:** Inspicer dette faldsikringsudstyr omhyggeligt hver gang, inden det anvendes, for at sikre, at det er i god arbejds-mæssig stand. Se efter, om der er beskadigede eller slidte dele. Sørg for, at alle bolte er til stede og sikre. Kontrollér, at livlinen ruller sig korrekt sammen ved at trække linen ud og langsomt lade den rulle ind. Hvis der er forsinkelser under indrulningen, skal enheden tages ud af drift og bortskaffes. Efterse livlinen for flænger, flosser, brændemærker, sammentrykninger og tæring. Kontrollér låsemekanismen ved at trække hårdt i linen. Se inspektions- og vedligeholdelsesloggen (tabel 3) for inspektionsdetaljer. Må ikke bruges, hvis inspektionen afslører en usikker tilstand.

- 4.2 EFTER ET FALD:** Alt udstyr, der har været udsat for kraftpåvirkningen ved at stoppe et fald, eller som har været udsat for skader, der svarer til dem, der opstår ved en sådan kraftpåvirkning som beskrevet i tabel 3, skal øjeblikkeligt tages ud af brug og destrueres.
- 4.3 KROPSSTØTTE:** Når du anvender SRD'er, skal du anvende en helkropssele. Til generel faldsikringsbrug kobles den til den bagerste D-ring (ryggen).
- 4.4 OPRETTELSE AF SAMMENKOBLINGER:** Figur 5 viser sele- og forankringspunkters forbindelser til SRD-faldstandsningssystemer. Foretages sammenkoblingen med en krog, skal du sørge for, at linen ikke kan rulle ud (se figur 5). Undlad at bruge kroge eller konnektorer, der ikke lukker fuldstændigt over det tilkoblede emne. Undlad at bruge ikke-låsende snapkroge. Forankringen skal leve op til de krav til forankringsstyrke, som er angivet i skema 2. Følg altid de anvisninger fra producenten, der leveres med hver systemkomponent.
- 4.5 ANVENDELSE:** Før brug skal SRD'en efterses som beskrevet i tabel 3. Figur 14 viser systemsammenkoblinger for typiske SRD-anvendelser. Kobl SRD'en til et egnet forankringspunkt eller monter SRD'en bag på en helkropssele som beskrevet i vejledningen i afsnit 3. På SRD'er koblet til forankring, forbindes kroge (D) eller karabinhagen på belastningsindikatoren til D-ringen på ryggen (A) af helkropssele. På selemonterede SRD'er forbindes kroge (D) eller karabinhagen med en egnet forankring. Sørg for, at alle fastgørelser er kompatible i størrelse, form og styrke. Sørg for, at alle kroge er helt lukkede og låste. Når først arbejderen er fastgjort, kan denne frit bevæge sig omkring inden for det anbefalede arbejdsområde ved normal hastighed. Hvis der skulle ske et fald, vil SRD'en låse og standse faldet. Når personen er bragt i sikkerhed, skal SRD'en tages ud af brug. Under arbejde med en SRD skal du altid lade livlinen rulle tilbage i anordningen, mens du holder øje med den.
- 4.6 DOBBELT SRD-SAMMENKOBLING MED 100 % AFSNØRING:** Når to SRD'er er monteret ved siden af hinanden bag på en helkropssele, kan SRD-faldstandsningssystemet bruges til kontinuerlig faldsikring (100 % afsnøring), mens brugeren kravler op, ned eller bevæger sig sidelæns (se figur 15). Med taljerebet fra en SRD fastgjort til et forankringspunkt kan brugeren flytte til en ny placering, fastgøre det ubrugte taljereb på den anden SRD til et andet forankringspunkt, og derefter koble sig fra det oprindelige forankringspunkt. Denne fremgangsmåde gentages, indtil arbejderen når den ønskede placering. Overvejelser ved anvendelse af dobbelt SRD med 100 % afsnøring omfatter følgende:
- Kobl aldrig begge SRD-taljereb til det samme forankringspunkt (se figur 16A).
 - Hvis der tilkobles mere end én konektor i en enkelt forankring (ring eller øje) kan det bringe kompatibiliteten af forbindelsen i fare på grund af samspelet mellem konnektorerne, og det anbefales ikke.
 - Kobling af hvert SRD-taljereb til et separat forankringspunkt er acceptabelt (figur 16B).
 - Hvert forankringssted skal uafhængigt kunne støtte 10 kN (2,248 pund), eller være et konstrueret system, som det er tilfældet med en vandret livline.
 - Kobl aldrig mere end én person ad gangen til det dobbelte SRD-system (figur 16C).
 - Lad ikke taljerebene blive viklet eller snoet sammen, da dette kan forhindre dem i at rulle op.
 - Tillad ikke at taljerebene passerer under armene eller mellem benene ved brug.
- 4.7 MONTERING AF DOBBELT SRD D-RING PÅ RYGGEN:** Modeller med triple-aktion-karabinhage kan monteres på D-ringen på ryggen i en dobbelt konfiguration. For at montere to SRD'er på D-ringen på ryggen af en sele (figur 13):
- 1. Åbn triple-aktion-karabinhagen:** Med triple-aktion-karabinhagen vendt som vist, skub låsemuffen (C) til højre, og drej så med uret for at låse leddet op (D). Sving leddet (D) ned for at åbne.
 - 2. Før først SRD ind i triple-aktion-karabinhagen:** Indsæt spidsen af konnektoren (E) gennem forankringsøjlet (F) på SRD'en og drej SRD'en rundt til ledenden af konnektoren (G). Leddet kan lukkes for at give plads til forankringsøjlet mellem leddet og ryggen af konnektoren.
 - 3. Tilføj den anden SRD på triple-aktion-karabinhagen:** Skub SRD'ens forankringsøje (F) over spidsen af konnektoren (E).
 - 4. Før triple-aktion-karabinhagen gennem D-ringen:** Indsæt spidsen af konnektoren (E) gennem D-ringen på ryggen (A). Drej konnektoren gennem D-ringen indtil leddet kan lukkes.
 - 5. Luk triple-aktion-karabinhagen:** Lad leddet (D) lukke sig og låsemuffen (C) dreje tilbage til låst position.
- 4.8 HORIZONTAL SYSTEMER:** Ved anvendelser, hvor SRD'en anvendes sammen med et vandret system (dvs. vandrette livliner, vandrette I-bjælketrolleys), skal SRD'ens og det vandrette systems komponenter være kompatible. Vandrette systemer skal være konstrueret og installeret under opsyn af en kvalificeret ingeniør. Se anvisningerne fra producenten af det vandrette system for flere oplysninger.

Faldafstandsværdier i figur 4 er baseret på forankring til et stabilt, fast forankringspunkt og gælder ikke forankring til en vandret livline (HLL) system. Se HLL-instruktionsvejledningen og HLL installatøren for at fastlægge de påkrævede faldafstande.

5.0 Inspektion

- 5.1 RFID-MÆRKAT:** Den selvoprullende anordning inkluderer et mærkat for radiofrekvensidentifikation (RFID) (se figur 17). RFID-mærkatet kan bruges sammen med det håndholdte aflæsningsapparat og en internetbaseret portal for at gøre inspektion og lagerstyring nemmere og give relevant dokumentation for faldsikringsudstyret. Kontakt 3M's kundeservicerepræsentant for detaljer (se bagsiden). Følg de anvisninger, som fulgte med din håndholdte aflæser, eller som er at finde på webportalen, for at overføre dine data til din weblog.

5.2 INSPEKTIONSHYPPIGHED: Det selvoprullende taljereb skal inspiceres med de intervaller, som er angivet i afsnit 2. Inspektionsprocedurer er beskrevet i "Inspektions- og vedligeholdelsesloggen" (tabel 3).

Ekstreme arbejdsforhold (barsk miljø, langvarig brug osv.) kan gøre det nødvendigt at øge inspektionshyppigheden (se tabel 2).

5.2 USIKRE ELLER DEFEKTE TILSTANDE: Hvis inspektion afslører usikre eller defekte tilstande, skal Nano-Lok SRD'en omgående tages ud af brug og bortskaffes (se afsnit 6).

Kun 3M eller parter med skriftlig bemyndigelse må foretage reparationer på dette udstyr.

5.3 PRODUKTETS LEVETID: Den driftsmæssige levetid for 3M's selvoprullende anordning afhænger af arbejdsbetingelser og vedligeholdelse. Så længe produktet godkendes ved inspektionen, må det fortsat bruges (indenfor maksimal produktlevetid). Maksimal produktlevetid for SRD med remtøjslivliner af tekstil er ikke mere end 10 år fra fremstillingsdatoen.

6.0 VEDLIGHOLDELSE, SERVICE og OPBEVARING

6.1 RENGØRING: Rengøringsprocedurerne for SRD'en er som følger:

- Rengør regelmæssigt SRD'en udvendigt med vand og en mild sæbeopløsning. Placer SRD'en således, at overskydende vand kan løbe ud. Rengør mærkaterne efter behov.
- Rengør livlinen med vand og en mild sæbeopløsning. Skyl og lufttør grundigt. Undlad hurtig tørring med varme. Livlinen skal være tør, før du lader den rulle op i huset. Overdreven ophobning af snavs, maling osv. kan forhindre livlinen i at trække sig helt tilbage i huset, hvilket kan udgøre en potentiel risiko ved frit fald.

6.2 SERVICE: SRD'er kan ikke repareres. Hvis SRD'en har været udsat for faldkraft, eller hvis en inspektion afslører usikre eller defekte tilstande, skal SRD'en omgående tages ud af brug og bortskaffes (se "Bortskaffelse").

6.3 TRANSPORT/OPBEVARING: Opbevar og transportér SRD'en på et køligt, tørt og rent sted uden for direkte sollys. Undgå steder, hvor der kan være kemikaliedampe. Efterse altid SRD'en omhyggeligt efter længere tids opbevaring.

6.4 BORTSKAFFELSE: Bortskaf SRD'en, hvis den har været udsat for faldstandsningkræfter, eller hvis der ved eftersyn konstateres usikre eller defekte omstændigheder. Før SRD'en bortskaffes, skal livlinen klippes over, eller SRD'en skal på anden måde deaktiveres for at fjerne risikoen for utilsigtet genbrug heraf.

7.0 Mærkater

Figur 22 viser mærkater på selvoprullende anordninger og deres placeringer. Alle mærkater skal være til stede på SRD'en. Mærkater skal udskiftes, hvis de ikke er helt læselige. Piktogrammerne på etiketterne er defineret som følgende:

1	Efterse knapkrog og belastningsindikator
2	Efterse at SRL'en låser
3	Korrekt måde at tilslutte SRL til sele
4	Ikke certificeret til skarpe kanter. Kan forbindes til et forankringspunkt over, under eller i niveau med D-ringen på ryggen (maks. 140 kg).
5	Temperaturmæssigt anvendelsesområde -40 °C - +60 °C
6	Maksimal kapacitet 140 kg
7	Sørg for at livlinen altid kan rulle tilbage ind i SRL'en på en kontrolleret måde
8	Undlad at reparere
9	Opbevar på et køligt, tørt sted uden for direkte sollys.
10	Belast ikke over en kant
11	Denne mærkat må ikke fjernes

Tabel 3 – Inspektions- og vedligeholdelseslog

Serienummer/-numre:		Købsdato:	
Modelnummer:		Dato for første brug:	
Inspektionsdato:		Inspiceret af:	
Komponent:	Inspektion: (Se afsnit 2 for <i>inspektionshyppigheden</i>)	Bestået	Ikke bestået
SRD (Figur 18)	Efterse udstyret for løse fastgørelseselementer og bøjede eller beskadigede dele.	<input type="checkbox"/>	<input type="checkbox"/>
	Efterse huset (A) for forvriddning, revner eller anden beskadigelse.	<input type="checkbox"/>	<input type="checkbox"/>
	Efterse drejetap (B) og drejeøje (C) eller integreret konnektor (D) for forvrængning, revner eller anden skade. Drejetappen skal fastgøres forsvarligt til SRL'en, men den bør kunne drejes frit. Forankringsøje eller det integrerede stik skal dreje frit i drejetappen.	<input type="checkbox"/>	<input type="checkbox"/>
	Remtøjslivlinen (E) skal kunne trækkes ud og rulles helt op uden hindring eller uden, at linen bliver slap.	<input type="checkbox"/>	<input type="checkbox"/>
	Sørg for at SRD'en låser, når der pludseligt trækkes hårdt i livlinen. Låsningen skal være fast uden slip.	<input type="checkbox"/>	<input type="checkbox"/>
	Alle mærkater skal være til stede og helt læselige (se figur 20).	<input type="checkbox"/>	<input type="checkbox"/>
	Efterse hele SRD'en for tegn på korrosion.	<input type="checkbox"/>	<input type="checkbox"/>
Endekonnektorer (Figur 19)	Tabel 2 identificerer endekonnektorerne, som følger med din Nano-Lok SRD-model. Efterse alle snapkroge, karabinhager, sikkerhedskroge, sammenkoblinger, osv. for tegn på skade, korrosion og korrekt funktion. Hvor de findes: Skal led kunne åbnes, lukkes, låses og låses korrekt op; og låseknapper og låsestifter skal fungere korrekt.	<input type="checkbox"/>	<input type="checkbox"/>
Remtøjslivline (Figur 20)	Efterse remtøjsmaterialet. Dette skal være frit for brud (A), trevler (B) og overrevne fibre. Inspicer for rifter, afslidning, store mængder smuds (C), skimmel, forbrænding (D) og affarvning. Efterse syningerne for udtrukne eller overrevne tråde. Overrevne tråde kan være tegn på, at faldselen har været overbelastet og skal tages ud af brug.	<input type="checkbox"/>	<input type="checkbox"/>
Energiabsorberende komponent (Figur 21)	Bekræft, at den integrerede energiabsorberende komponent ikke er blevet aktiveret. Et åbent dæksel eller revet dæksel (A), remtøj trukket ud af dækslet, revet eller flosset remtøj (B), revet søm osv. er tegn på en aktiveret energiabsorberende komponent.	<input type="checkbox"/>	<input type="checkbox"/>
Korrigerende foranstaltning/vedligeholdelse:		Godkendt af:	
		Dato:	
Korrigerende foranstaltning/vedligeholdelse:		Godkendt af:	
		Dato:	
Korrigerende foranstaltning/vedligeholdelse:		Godkendt af:	
		Dato:	
Korrigerende foranstaltning/vedligeholdelse:		Godkendt af:	
		Dato:	
Korrigerende foranstaltning/vedligeholdelse:		Godkendt af:	
		Dato:	
Korrigerende foranstaltning/vedligeholdelse:		Godkendt af:	
		Dato:	
Korrigerende foranstaltning/vedligeholdelse:		Godkendt af:	
		Dato:	

SICHERHEITSHINWEISE

Vor der Verwendung dieser Selbsteinzugsvorrichtung (SRD) müssen die Sicherheitshinweise in diesen Anweisungen gelesen, verstanden und befolgt werden. NICHTBEACHTUNG KANN ERNSTE VERLETZUNGEN ODER DEN TOD ZUR FOLGE HABEN.

Diese Anweisungen müssen dem Benutzer dieser Ausrüstung zur Verfügung gestellt werden. Bewahren Sie diese Anweisungen für den späteren Gebrauch auf.

Verwendungszweck:

Diese Selbsteinzugsvorrichtung ist für den Gebrauch als Teil eines kompletten persönlichen Absturzschutzsystems vorgesehen.

Die Verwendung in anderen Anwendungen, u. a. bei Materialtransport, Freizeitaktivitäten, Sportaktivitäten oder anderen, nicht in der Bedienungsanleitung beschriebenen Aktivitäten, wird nicht durch 3M genehmigt und kann zu schweren Verletzungen oder zum Tod führen.

Dieses Gerät darf nur von Personen verwendet werden, die in der Verwendung des Geräts am Arbeitsplatz geschult sind.

! WARNUNG

Diese Selbsteinzugsvorrichtung ist Teil eines persönlichen Absturzschutzsystems. Es wird erwartet, dass alle Benutzer vollständig in dem sicheren Zusammenbau und der Bedienung ihres persönlichen Absturzschutzsystems geschult werden. **Der unsachgemäße Gebrauch dieses Geräts kann ernste Verletzungen oder den Tod zur Folge haben.** Informationen zur richtigen Auswahl, Bedienung, Installation, Wartung und Instandhaltung sind dieser Bedienungsanleitung und den Herstellerempfehlungen zu entnehmen, oder wenden Sie sich an Ihren Vorgesetzten oder an den technischen Kundendienst von 3M.

- **Maßnahmen zur Reduzierung der Risiken (die, wenn sie nicht vermieden werden, zu schweren Verletzungen oder zum Tod führen können) im Zusammenhang mit einer SRD:**
 - Überprüfen Sie die SRD vor jedem Einsatz und achten Sie auf ordnungsgemäße Arretierung und Retraktion.
 - Falls bei der Überprüfung eine Gefahr oder ein Mangelzustand festgestellt wird, nehmen Sie das Gerät außer Betrieb und reparieren oder ersetzen Sie es gemäß den Benutzeranweisungen.
 - Wenn die SRD einer Absturzschutz- oder Aufprallkräften ausgesetzt war, muss diese umgehend aus dem Betrieb genommen und als ‚UNBRAUCHBAR‘ gekennzeichnet werden.
 - Stellen Sie sicher, dass das Sicherungsseil von jeglichen Behinderungen ferngehalten wird, u. a. Verwicklung bzw. Verfangen mit sich bewegenden Maschinen oder Ausrüstungen (z. B. dem Kraftdrehknopf von Ölplattformen), anderen Arbeitern, dem eigenen Körper oder umliegenden Gegenständen bzw. der Aufprall von über dem Kopf befindlichen Gegenständen, die auf das Sicherungsseil oder den Arbeiter fallen könnten.
 - Niemals das Sicherungsseil durchhängen lassen. Das Sicherungsseil nicht binden oder kneten.
 - Befestigen Sie das lose Ende des Beimgurts der am Auffanggurt montierten SRD am Verbindungsstück des Auffanggurts, falls vorhanden.
 - Nicht bei Anwendungen einsetzen, bei denen die Fallstrecke Hindernisse aufweist. Bei Arbeiten auf beweglichem Untergrund wie Sand oder Korn bzw. in beschränktem oder beengtem Raum wird unter Umständen bei der Person keine ausreichend hohe Fallgeschwindigkeit erreicht, um eine Arretierung der SRD herbeizuführen. Eine freie Fallstrecke ist erforderlich, damit ein sicheres Arretieren der SRD gewährleistet ist.
 - Plötzliche und schnelle Bewegungen während normaler Arbeitsvorgänge sind zu vermeiden. Hierdurch kann eine Arretierung der Vorrichtung ausgelöst werden.
 - Stellen Sie sicher, dass Absturzschutzsysteme/Teilsysteme, die aus Komponenten von verschiedenen Herstellern zusammengesetzt werden, zueinanderpassen und den Anforderungen von geltenden Normen, einschließlich ANSI Z359 oder anderen gültigen Absturzschutzrichtlinien, Standards oder Anforderungen entsprechen. Ziehen Sie stets einen Sachkundigen und/oder eine qualifizierte Person zurate, bevor Sie diese Systeme verwenden.
- **Maßnahmen zur Reduzierung der Risiken (die, wenn sie nicht vermieden werden, zu schweren Verletzungen oder zum Tod führen können) im Zusammenhang mit Arbeiten in der Höhe:**
 - Stellen Sie sicher, dass Ihre gesundheitliche und körperliche Verfassung allen Kräften im Zusammenhang mit Arbeiten in der Höhe sicher standhalten kann. Konsultieren Sie Ihren Arzt, wenn Sie Fragen bezüglich Ihrer Fähigkeit haben, diese Ausrüstung zu verwenden.
 - Niemals die zulässige Belastbarkeit für Ihre Absturzschutz- oder Ausrüstung überschreiten.
 - Niemals die maximale Strecke des Absturzes Ihrer Absturzschutz- oder Ausrüstung überschreiten.
 - Verwenden Sie keine Absturzschutz- oder Ausrüstung, die die Prüfung vor dem Einsatz oder andere geplante Prüfungen nicht bestanden haben, oder wenn Sie Bedenken über die Verwendung oder Tauglichkeit dieser Ausrüstung für Ihren Anwendungsbereich haben. Bei allen Fragen wenden Sie sich an den technischen Kundendienst von 3M.
 - Manche Kombinationen mit Teilsystemen und Komponenten können die Funktionsweise dieser Ausrüstung beeinträchtigen. Nur kompatible Verbindungselemente verwenden. Konsultieren Sie 3M, bevor Sie diese Ausrüstung in Kombination mit anderen Komponenten oder Untersystemen verwenden als denen, die in dieser Bedienungsanleitung beschrieben sind.
 - Bei der Arbeit in der Nähe von beweglichen Maschinen (z. B. Kraftdrehknopf von Ölplattformen), elektrischen Gefahrenherden, extremen Temperaturen, chemischen Gefahren, explosiven oder toxischen Gasen, scharfen Kanten oder unterhalb von über dem Kopf befindlichen Materialien, die auf Sie oder Ihre Absturzschutz- oder Ausrüstung fallen könnten, besonders vorsichtig vorgehen.
 - Bei Arbeiten in Umgebungen mit hohen Temperaturen Vorrichtungen für Schweißlichtbogen oder Heißenarbeiten verwenden.
 - Oberflächen und Gegenstände vermeiden, die dem Benutzer oder der Ausrüstung schaden könnten.
 - Stellen Sie bei Arbeiten in der Höhe einen angemessenen Fallraum sicher.
 - Niemals versuchen, die Absturzschutz- oder Ausrüstung zu modifizieren. Nur 3M oder Dritte, die hierzu schriftlich von 3M autorisiert sind, dürfen Reparaturen an der Ausrüstung vornehmen.
 - Vergewissern Sie sich vor dem Einsatz der Absturzschutz- oder Ausrüstung, dass ein Rettungsplan vorliegt, durch dessen Mittel eine unverzügliche Rettung bei einem Absturz ermöglicht wird.
 - Wenn es zu einem Absturz kommt, muss für den abgestürzten Arbeiter sofort ein Arzt hinzugezogen werden.
 - Verwenden Sie für Absturzschutz- oder Ausrüstungen keinen Haltegurt. Verwenden Sie nur einen Auffanggurt.
 - Minimieren Sie Pendelstürze, indem Sie so nahe wie möglich am Verankerungspunkt arbeiten.
 - Beim Training mit dieser Vorrichtung muss ein zweites Absturzschutzsystem in der Weise angewendet werden, dass der Trainingsteilnehmer keiner unbeabsichtigten Absturzgefahr ausgesetzt wird.
 - Beim Zusammenbau, der Verwendung oder Prüfung der Vorrichtung stets eine entsprechende persönliche Schutzausrüstung tragen.

Übertragen Sie die Angaben zur Produktidentifikation vor Verwendung dieser Ausrüstung vom ID-Etikett in das „Inspektions- und Wartungsprotokoll“ hinten in diesem Handbuch.

BESCHREIBUNG:

Abbildung 2 gibt Schlüsselkomponenten der 3M™ DBI-SALA® Nano-Lok Selbstzuggeräte (HSG) wieder. Nano-Lok HSG sind trommelgewundene Sicherungsseile (J) mit einem Inline-Energieabsorber (I), die in ein Nylongehäuse (H) eingezogen werden. Eine schwenkbare Öse (D) auf der Oberseite des Gehäuses ermöglicht die Befestigung an einem gültigen Verankerungsanschlusspunkt mit einem Karabiner (E) oder die Montage eines Auffanggurtes und einer Auffanggurtkopplung (F). Abbildung 1 identifiziert verfügbare Nano-Lok-Modelle und deren Verbinderkonfigurationen. Siehe Tabelle 1 für Nano-Lok HSG- und Anschlusspezifikationen.

Tabelle 1 – Spezifikationen

Bauteilspezifikationen:

HSG-Gehäuse	Nylon
Trommel	Nylon
Interne Komponenten	Edelstahl, Aluminium
Gewebtes Sicherungsseil	Dyneema-Polyester
Falldämpfer	Abdeckung: Nitrilkautschuk, Gurtband: Polyester, Nähte: Polyester- oder Nylon-Faden
Drehzapfen	Verzinkter Stahl

Spezifikationen der Verbindungselemente:

	Beschreibung	Material	Verschlussöffnung	Verschlusskraft	Zugfestigkeit
①	Schwenkbare Öse	Stahl	22,35 mm (0,88 Zoll) Innendurchmesser	X	22,2 kN (5.000 lbs)
②	Karabiner	Aluminium	19 mm (3/4 Zoll)	16 kN (3.600 lbs)	22,2 kN (5.000 lbs)
③	Karabiner	Stahl	19 mm (3/4 Zoll)	16 kN (3.600 lbs)	22,2 kN (5.000 lbs)
④	Einzel-HSG-Kopplung	Stahl	51 mm (2 Zoll)	16 kN (3.600 lbs)	22,2 kN (5.000 lbs)
⑤	Doppel-HSG-Kopplung	Stahl mit Nyloneinsatz	19 mm (3/4 Zoll)	16 kN (3.600 lbs)	22,2 kN (5.000 lbs)
⑥	Karabiner	Aluminium, Stahl	56 mm (2,19 Zoll)	16 kN (3.600 lbs)	22,2 kN (5.000 lbs)
⑦	Karabiner	Aluminium	19 mm (3/4 Zoll)	16 kN (3.600 lbs)	22,2 kN (5.000 lbs)
⑧	Bewehrungsstahl-Haken	Aluminium	57 mm (2-1/4 Zoll)	16 kN (3.600 lbs)	22,2 kN (5.000 lbs)
⑨	Bewehrungsstahl-Haken	Aluminium	63 mm (2-1/2 Zoll)	16 kN (3.600 lbs)	22,2 kN (5.000 lbs)
⑩	Karabiner	Aluminium	52 mm (2 Zoll)	16 kN (3.600 lbs)	22,2 kN (5.000 lbs)
⑪	Bewehrungsstahl-Haken	Aluminium, Stahl	63 mm (2-1/2 Zoll)	16 kN (3.600 lbs)	22,2 kN (5.000 lbs)
⑫	Karabiner	Stahl	19 mm (3/4 Zoll)	16 kN (3.600 lbs)	22,2 kN (5.000 lbs)
⑬	Bewehrungsstahl-Haken	Aluminium	57 mm (2-1/4 Zoll)	16 kN (3.600 lbs)	22,2 kN (5.000 lbs)
⑭	Schnapphaken	Stahl	19 mm (3/4 Zoll)	16 kN (3.600 lbs)	22,2 kN (5.000 lbs)

Leistungsspezifikationen:

HSG-Spezifikationen (vertikal)	CE-Modelle	
Traglastbereich	59 kg – 100 kg (130 lbs – 220 lbs)	100 kg – 140 kg (220 lbs – 310 lbs)
Maximale Kraftereinwirkung	6 kN (1.350 lbs)	6 kN (1.350 lbs)
Durchschnittliche Bremskraft	4 kN (900 lbs)	4 kN (900 lbs)
Angegebener maximaler Bremsweg:¹	0,61 m (24 Zoll)	0,61 m (24 Zoll)
Minimal erforderlicher Fallraum¹	1,5 m (5 Fuß)	1,8 m (5,8 Fuß)
Maximaler freier Fall²	1,5 m (5 Fuß)	1,5 m (5 Fuß)

1 – Angenommen, das HSG ist direkt über dem Endbenutzer angeschlagen.

2 – Gemessen von der Anwender-Auffangöse bis zur Geh-/Arbeitsoberfläche. Sehen Sie die Fallraum-Tabelle(n) für Einzelheiten.

1.0 ANWENDUNGEN

- 1.1 VERWENDUNGSZWECK:** Selbsteinzugsgeräte (SRDs) sind als Bestandteil einer persönlichen Schutzausrüstung gegen Absturz (PSAgA) gedacht. Abbildung 1 gibt die SRDs wieder, für die diese Bedienungsanleitung gilt. Sie können in den meisten Situationen eingesetzt werden, in denen die uneingeschränkte Beweglichkeit der Arbeiter und eine Absturzsicherung notwendig sind (z. B. Inspektionsarbeiten, allgemeine Bauindustrie, Wartungsarbeiten, Ölproduktion, Arbeiten in beengten Räumen usw.).
- 1.2 NORMEN:** Ihr SRD entspricht der/den nationalen oder regionalen Norm(en), die auf der Vorderseite dieses Handbuchs angegeben sind. Weitere Informationen über persönliche Absturzsicherungen siehe lokale, staatliche und bundesweite Anforderungen zum Arbeitsschutz (OSHA).
- 1.3 SCHULUNG:** Die Ausrüstung muss von Personen, die in der richtigen Anwendung geschult sind, installiert und verwendet werden. Es obliegt der Verantwortung des Benutzers, mit diesen Anweisungen vertraut zu sein und in der richtigen Pflege und Handhabung dieser Ausrüstung geschult zu werden. Der Benutzer muss sich auch der Betriebseigenschaften, der Grenzen der Anwendbarkeit und der Konsequenzen eines unsachgemäßen Gebrauchs bewusst sein.
- 1.4 EINSCHRÄNKUNGEN:** Berücksichtigen Sie beim Installieren oder Verwenden dieser Ausrüstung stets folgende Einschränkungen:

- **Tragfähigkeit:** SRDs sind für die Verwendung durch eine Person mit einem kombinierten Gewicht (Kleidung, Werkzeug etc.), das dem in Tabelle 1 spezifizierten *Tragfähigkeitsbereich* entspricht. Stellen Sie sicher, dass alle Komponenten Ihres Systems für die Nennkapazität der entsprechenden Anwendung ausgelegt sind.
- **Verankerung:** Die Verankerungsstruktur für das SRD muss eine Belastung von bis zu 12 kN (2.697 lbs) aushalten können. Verankerungsgeräte müssen EN795 oder anderen anwendbaren Verankerungsstandards für Verbindungsmittel entsprechen.
- **Arretiergeschwindigkeit:** Eine ungehinderte Fallstrecke sollte stets gewährleistet sein. Bei der Arbeit auf beschränktem oder beengtem Raum oder auf abschüssiger Oberfläche erreicht der Körper möglicherweise keine ausreichende Geschwindigkeit, um im Falle eines Absturzes eine Arretierung des SRD auszulösen. Bei Arbeiten auf langsam verrutschendem Material, wie Sand oder Korn, wird unter Umständen keine ausreichend hohe Fallgeschwindigkeit erreicht, um eine Arretierung des SRD auszulösen. Eine freie Fallstrecke ist erforderlich, damit ein sicheres Arretieren des SRD gewährleistet ist.
- **Freier Fall:** Wenn die Verankerung von oben erfolgt, begrenzt das SRD die Freifalldistanz auf 0,6 m (2 ft)¹. Verankern Sie das SRD zur Vermeidung großer Fallstrecken direkt über der Arbeitsebene. Befestigen Sie das SRD niemals an einem Anschlagpunkt, der einen freien Fall aus einer Höhe von mehr als 1,5 m (5 ft) zulässt. Arbeiten, bei denen sich Ihr Sicherungsseil mit dem eines anderen Arbeiters kreuzen oder verheddern könnte, müssen vermieden werden. Vermeiden Sie Arbeiten, bei denen Objekte fallen und das Sicherungsseil treffen können, da dadurch das Gleichgewicht gestört oder das Sicherungsseil beschädigt werden kann. Das Sicherungsseil darf nicht unter die Arme oder zwischen die Beine rutschen. Das Sicherungsseil darf keinesfalls abgeklemmt, verknotet oder an der Rückziehung oder Straffung gehindert werden. Ein Durchhängen muss vermieden werden. **Ein SRD darf nicht ohne Rücksprache mit 3M durch Anbinden eines Verbindungsmittels oder einer ähnlichen Komponente verlängert werden.**
- **Pendelstürze:** Pendelstürze treten auf, wenn der Verankerungspunkt nicht direkt oberhalb des Absturzpunkts liegt. Die Kraft des Aufpralls auf ein Objekt kann bei einem Pendelsturz schwere Verletzungen hervorrufen (siehe Abbildung 3A). Minimieren Sie Pendelstürze, indem Sie so nahe wie möglich am Verankerungspunkt arbeiten (Abbildung 3B). Vom Verankerungspunkt entfernte Arbeiten (Abbildung 3C) erhöhen den Aufprall bei einem Pendelsturz und erhöhen den erforderlichen Fallraum (FR).
- **Fallraum:** Abbildung 3B zeigt die Berechnung des Fallraums. Der Fallraum (FR) ist die Summe aus Freifall (FF), Abbremsungsdistanz (DD) und einem Sicherheitsfaktor (SF): $FR = FF + DD + SF$. Das Rutschen der Auffangöse und die Ausdehnung des Auffanggurtes sind im Sicherheitsfaktor enthalten. Fallraumwerte wurden berechnet und sind in Abbildung 4 tabellarisch aufgeführt. Ein Sicherheitsfaktor von 1 m (3,28 ft) wurde für alle Werte in Abbildung 4 benutzt. Abbildung 4 zeigt den Fallraum (FR) basierend auf der horizontalen (H) und vertikalen (V) Distanz zwischen der SRD-Verbindung am Rücken und dem Verankerungspunkt. Jede horizontale Rasterlinie auf dem Diagramm bzw. den Diagrammen repräsentiert die vertikale Distanz vom Verankerungspunkt. Jede vertikale Rasterlinie repräsentiert die horizontale Distanz vom Verankerungspunkt. Der Fallraumwert (FR) wird von der Zone (Parabollinien) bestimmt, in der sich die horizontalen (H) und vertikalen (V) Rasterlinien überschneiden. Das Beispiel in Abbildung 4 zeigt, wie der erforderliche Fallraumwert (FR) für die angegebenen vertikalen (V) und horizontalen (H) Distanzen bestimmt wird.

Variable Anschlagpunkte: Die Fallräume in Abbildung 4 basieren auf einem festen, stationären Anschlagpunkt. Für Verankerungen an einem horizontalen Sicherungsseil (HLL) oder einem Verankerungspunkt, der sich während eines Falls bewegen, verschieben oder deformieren kann, gelten die Fallraumwerte von Abbildung 4 nicht. Weitere Details bezüglich erforderlicher Fallräume, Durchbiegungen und/oder Deformationen finden Sie in den Anweisungen zu HLL oder Anschlagpunkten.

Knien oder Kriechen: Die Fallraumdiagramme in Abbildung 4 gehen davon aus, dass der Benutzer sich in einer stehenden Position befindet. Wenn der Benutzer kniet oder kriecht, sind weitere 0,9 m (3 ft) Fallraum erforderlich.

Nie unterhalb der Füße verankern: Nie an einem Verankerungspunkt unterhalb Ihrer Füße befestigen.

- **Gefahren:** Die Verwendung dieser Ausrüstung in Bereichen mit Umweltgefahren kann zusätzliche Sicherheitsmaßnahmen erfordern, um die Verletzungsgefahr und Schäden an der Ausrüstung zu vermeiden. Zu den Gefahren zählen unter anderem, aber ohne Einschränkung: große Hitze, ätzende Chemikalien, korrosive Umgebungen, Hochspannungsleitungen, explosive oder giftige Gase, bewegliche Maschinen oder Material über Kopf, das herunterfallen und den Anwender oder das Absturzsicherungssystem treffen kann. Das Arbeiten in Bereichen, in denen sich Ihr Sicherungsseil mit dem eines anderen Arbeiters kreuzen oder verheddern könnte, muss vermieden werden. Vermeiden Sie das Arbeiten in Bereichen, in denen Objekte fallen und die Sicherungsleine treffen können, da dadurch das Gleichgewicht gestört oder das Sicherungsseil beschädigt werden kann. Das Sicherungsseil darf nicht unter die Arme oder zwischen die Beine rutschen.
- **Scharfe Kanten:** Scharfe Kanten, mit denen das SRD-Sicherungsseil während eines Falls in Kontakt kommen kann, müssen einen Mindestradius von 0,3 cm (0,125 Zoll) haben. Wenn Sie an scharfen Kanten arbeiten müssen, muss eine Schutzabdeckung verwendet werden.

¹ **Freier Fall:** Die richtige Anwendung des SRD, bei der der Benutzer direkt unterhalb des Verankerungspunktes ohne Durchhang des Sicherungsseils arbeitet, eliminiert den freien Fall. Siehe Abbildung 4 für akzeptable Verankerungspunkte.

2.0 Verwendung des Systems

- 2.1 ABSTURZSICHERUNGS- UND RETTUNGSPLAN:** Der Arbeitgeber muss über einen Absturzsicherungs- und Rettungsplan verfügen. Der Plan sollte Richtlinien und Anforderungen für das verwaltete Absturzsicherungsprogramm eines Arbeitgebers bieten, u. a. Leitfäden, Pflichten und Training, Absturzsicherungsverfahren, das Eliminieren und Kontrollieren von Sturzgefahren, Rettungsverfahren, Vorfallduntersuchungen und die Bewertung der Programmeffektivität.
- 2.2 INSPEKTIONSHÄUFIGKEIT:** SRDs müssen von einer autorisierten Fachkraft¹ oder Rettungskraft² vor jedem Einsatz inspiziert werden (siehe Tabelle 3). Zudem sind Inspektionen zumindest jährlich von einer kompetenten Person³, die nicht der Benutzer ist, durchzuführen. Extreme Arbeitsbedingungen (raue Umweltbedingungen, längere Verwendung usw.) können häufigere Inspektionen durch einen Sachkundigen erforderlich machen. Der Sachkundige sollte nach dem *Inspektionsplan* (Tabelle 2) geeignete Inspektionsintervalle bestimmen. Inspektionsverfahren werden im „*Inspektions- und Wartungsprotokoll*“ (Tabelle 3) beschrieben. Die Ergebnisse jeder Inspektion durch einen Sachkundigen sollten im „*Inspektions- und Wartungsprotokoll*“ oder im RFID-System festgehalten werden (siehe Abschnitt 5).
- 2.3 NORMALER BETRIEB:** Im normalen Betrieb kann das Sicherungsseil verzögerungsfrei und ohne Durchhang ausgezogen und wieder eingerollt werden, solange der Arbeiter sich mit normaler Geschwindigkeit bewegt. Im Falle eines Absturzes wird ein geschwindigkeitsmessendes Bremssystem aktiviert, das den Absturz stoppt und einen großen Teil der entstehenden Fallenergie dämpft. Während normaler Arbeitsvorgänge müssen plötzliche oder schnelle Bewegungen vermieden werden, da dadurch eine Arretierung des SRD ausgelöst werden kann. Für Abstürze bei größtenteils ausgerolltem Sicherungsseil ist ein Reservesicherungsseilsystem oder ein Falldämpfer eingebaut, um die Sturzenergie abzdämpfen.
- 2.4 KÖRPERUNTERSTÜTZUNG:** Für das Selbsteinzugsgerät muss ein Ganzkörper-Auffanggurt verwendet werden. Der Verbindungspunkt des Gurtes muss sich oberhalb des Körperschwerpunktes des Benutzers befinden. Ein Haltegurt ist für die Verwendung mit dem Selbsteinzugsgerät nicht zulässig. Falls es bei der Verwendung eines Haltegurtes zu einem Absturz kommt, kann eine unsachgemäße Körperunterstützung zu einem unbeabsichtigten Öffnen des Gurtes oder einem physischen Trauma führen.
- 2.5 KOMPATIBILITÄT DER KOMPONENTEN:** Sofern nicht anders angegeben, ist die Ausrüstung von 3M nur zur Verwendung mit den von 3M freigegebenen Komponenten und Subsystemen ausgelegt. Ein Austausch durch nicht genehmigte Komponenten oder Teilsysteme kann die Kompatibilität der Ausrüstung aufs Spiel setzen und die Sicherheit und Zuverlässigkeit des kompletten Systems gefährden.
- 2.6 KOMPATIBILITÄT DER VERBINDUNGSMITTEL:** Verbindungsmittel sind mit Verbindungselementen kompatibel, wenn sie in Größe und Form so konzipiert sind, dass sie zusammenarbeiten, ohne dass sich ihre Verschlussmechanismen versehentlich öffnen, unabhängig davon, wie sie ausgerichtet sind. Kontaktieren Sie 3M, wenn Sie Fragen zur Kompatibilität haben. Verbindungselemente (Haken, Karabiner und Auffangösen) müssen für eine Belastung von mindestens 22,2 kN (5.000 lbs) ausgelegt sein. Die Verbindungselemente müssen mit der Verankerung oder anderen Systemkomponenten kompatibel sein. Verwenden Sie keine Ausrüstung, die nicht kompatibel ist. Nicht kompatible Verbindungselemente können sich versehentlich lösen (siehe Abbildung 5). Die Verbindungselemente müssen in Größe, Form und Belastbarkeit kompatibel sein. Es sind selbstschließende Karabinerhaken erforderlich. Wenn das Verbindungselement, an das der Karabiner angeschlossen wird, zu klein ist oder eine unregelmäßige Form aufweist, kann es dazu kommen, dass das Verbindungselement Druck auf den Verschluss des Karabiners (A) ausübt. Dieser Druck kann dazu führen, dass sich der Verschluss öffnet (B), sodass sich der Karabiner vom Verbinderpunkt (C) löst.
- 2.7 VERBINDUNGSHERSTELLUNG:** Verwenden Sie mit dieser Ausrüstung nur Schnapphaken und Karabiner. Stellen Sie sicher, dass alle Verbindungen bezüglich Größe, Form und Stärke kompatibel sind. Verwenden Sie keine Ausrüstung, die nicht kompatibel ist. Vergewissern Sie sich, dass alle Verbindungselemente vollständig geschlossen und verriegelt sind. Verbindungselemente von 3M (Schnapphaken und Karabiner) dürfen nur wie in der Bedienungsanleitung des jeweiligen Produktes angegeben verwendet werden. Abbildung 6 zeigt Beispiele für falsche Verbindungen.

Schnapphaken und Karabiner dürfen nicht wie folgt befestigt werden:

- An einer Auffangöse, an der ein anderes Verbindungselement befestigt ist.
- Auf eine Weise, die den Verschluss belastet. Schnapphaken mit großer Maulöffnung sollten nicht an Auffangösen oder ähnlichen Objekten in Standardgröße angebracht werden, da der Verschluss sonst belastet wird, wenn sich der Haken oder die Auffangöse dreht, es sei denn, der Karabinerhaken verfügt über einen Verschluss, der einer Belastung von 16 kN (3.600 lb) standhält.
- In einem falschen Rasthaken, wo die Größe oder Form der Verbindungselemente nicht kompatibel ist und wo die Verbindungselemente ohne visuelle Bestätigung voll eingerastet scheinen.
- Aneinander.
- Direkt an einem Gurtband, Verbindungsmittel oder Tie Back Verbindungsmittel (außer es ist laut Anweisungen des Herstellers ausdrücklich erlaubt, die Verbindungselemente auf diese Weise anzuschließen).
- An einem Objekt, das eine Größe und Form aufweist, die verhindern, dass der Karabinerhaken oder Karabiner verschlossen und verriegelt werden kann, oder dazu führen, dass sich der Haken löst.
- Auf eine Weise, in der das Verbindungselement sich unter Last nicht richtig ausrichten kann.

Tabelle 2 – Inspektionsplan

Art des Einsatzes	Anwendungsbeispiele	Einsatzbedingungen	Inspektionshäufigkeit
			Sachkundiger
Unregelmäßig bis leicht	Rettung und beengte Räume, Fabrikwartung	Gute Lagerungsbedingungen, Einsatz in Innenräumen oder unregelmäßig im Freien, Raumtemperatur, saubere Umgebungen	Jährlich
Moderat bis schwer	Transportwesen, Bau von Wohnhäusern, Versorgungsindustrie, Warenhaus	Ausreichend gute Lagerungsbedingungen, Einsatz in Innenräumen und ausgiebig im Freien, alle Temperaturen, saubere oder staubige Umgebungen	Halbjährlich bis jährlich
Stark bis kontinuierlich	Kommerzielle Bauindustrie, Öl und Gas, Bergbau	Raue Lagerbedingungen, verlängerter oder kontinuierlicher Einsatz im Freien, alle Temperaturen, schmutzige Umgebung	Viertel- bis halbjährlich

1 Autorisierte Fachkraft: Eine Person, die vom Arbeitgeber dazu bestimmt ist, Aufgaben an einem Ort auszuführen, an dem sie einer Absturzgefahr ausgesetzt ist.

2 Rettungskraft: Person oder Personen außer der verunfallten Person, die mithilfe technischer Rettungs- und Bergungsmittel eine Rettungs- bzw. Bergungsaktion vornehmen.

3 Sachkundiger: Eine vom Arbeitgeber bestimmte Person, die für die unmittelbare Beaufsichtigung, Implementierung und Überwachung des verwalteten Absturzsicherungsprogramms des Arbeitgebers verantwortlich ist. Diese Person kann durch Schulung und Wissen bestehende und potentielle Sturzgefahren identifizieren, bewerten und beheben und hat die Genehmigung des Arbeitgebers, sofortige Korrekturmaßnahmen hinsichtlich solcher Gefahren zu ergreifen.

3.0 Installation

- 3.1 PLANUNG:** Planen Sie den Einsatz des Absturzicherungssystems, bevor Sie mit der Arbeit beginnen. Berücksichtigen Sie alle Faktoren, die Ihre Sicherheit vor, während und nach einem Absturz beeinträchtigen könnten. Beachten Sie alle in Abschnitt 2 beschriebenen Anforderungen und Einschränkungen.

In den meisten Anwendungsbereichen kann das Nano-Lok HSG mit einer Verankerung oder am Rückenteil des Auffanggurtes befestigt werden. Alle Richtungen sind zulässig, mit Ausnahme der in Abschnitt 4 genannten Ausnahmen.

- 3.2 VERANKERUNG:** In Abbildung 7 werden typische HSG-Verankerungen dargestellt. Wählen Sie eine Verankerungsstelle mit einem Minimum an Freifall- und Schwinggefahren (siehe Abschnitt 1). Wählen Sie einen starren Verankerungspunkt, der den in Abschnitt 1 beschriebenen statischen Lasten standhält. Wenn die Verankerung von oben nicht möglich ist, können Nano-Lok HSGs an einer Verankerungsstelle unterhalb der hinteren Auffangöse des Anwenders gesichert werden. Bei Benutzern mit einem Gewicht bis 140 kg (310 lbs) darf der Anschlagpunkt nicht mehr als 1,5 m (5 ft) unterhalb der hinteren Auffangöse liegen.

- 3.3 BEFESTIGUNG DES GURTZEUGS:** Einige HSG-Modelle verfügen direkt unterhalb der hinteren Auffangöse über Einfach- oder Doppel-HSG-Auffanggurtkopplungen zur Befestigung des/der HSGs am Auffanggurt:

Einige Auffanggurte sind mit dem persönlichen HSG-Verbindungselement (PSRL-Link) ausgestattet, das die Anbindung der vorderen Auffangöse an die Befestigungselemente für die am Auffanggurt montierten Höhensicherungsgeräte (Abbildung 8) ermöglicht. Es nimmt das HSG auch mit einem Karabiner oder selbstschließenden Karabinerhaken an der vorderen Auffangöse des Auffanggurtes auf.

- **Befestigung eines Einzel-HSG-Auffanggurtes:** In Situationen, in denen die Beweglichkeit des Arbeiters besonders wichtig ist, kann eine Einzel-HSG-Auffanggurtkopplung an der Rückseite des HSGs direkt unterhalb der hinteren Auffangöse zur Befestigung des Auffanggurtes verwendet werden (siehe Abbildung 9). Anschließend kann sich der Arbeiter mit dem Verbindungsmittelende des HSGs an den verschiedenen Verankerungspunkten sichern, ohne das HSG jeweils erneut anschlagen zu müssen. Gehen Sie zur Befestigung des HSGs an einem Auffanggurt mittels einer HSG-Auffanggurtkopplung wie folgt vor:

1. **Lösen des Gurtbandes am Auffanggurt:** Ziehen Sie an den Gurtbandschlaufen (A), wo diese durch den unteren Teil der hinteren Auffangöse (B) gehen, bis diese lang genug sind, um die HSG-Auffanggurtkopplung zwischen Gurtbandschlaufen und Auffangösenplatte durchzuziehen.
2. **Öffnen der Auffanggurtkopplung:** Drücken Sie die Sperrknöpfe (C) gleichzeitig herunter und ziehen Sie den Sicherungsstift (D) heraus.
3. **Positionierung des HSGs an der Auffanggurtkopplung:** Führen Sie die offene Verriegelung der Auffanggurtkopplung durch die Öse des Drehwheels des HSGs (E). Führen Sie die Kopplung durch die Ösen des Drehwheels, sodass das HSG am Hauptteil der Auffanggurtkopplung (F) hängt.
4. **Positionierung der Auffanggurtkopplung an den Gurtbandschlaufen:** Positionieren Sie die offene Verriegelung der Auffanggurtkopplung um die Gurtbandschlaufen (A).
5. **Schließen der Auffanggurtkopplung:** Schieben Sie den Sicherungsstift (D) der Auffanggurtkopplung durch die losen Gurtbänder (A), bis dieser am anderen Ende der Auffanggurtkopplung einrastet. Ziehen Sie die Gurtbandschlaufen durch die hintere Auffangöse und die Rückenplatte zurück, um die Auffanggurtkopplung zu sichern.

Das rote Band am Knopfende des Sperrstifts der Auffanggurtkopplung steht bei geöffneter Auffanggurtkopplung hervor. Um das versehentliche Lösen der Verbindung zu verhindern, achten Sie vor dem Einsatz des Gurts sowie des befestigten HSG immer darauf, dass die Auffanggurtkopplung gesperrt ist. Nichtbeachtung kann Verletzungen oder den Tod zur Folge haben.

- **Befestigung des Doppel-HSG-Auffanggurtes:** In Situationen, in denen absolut zuverlässige Sicherung erforderlich ist, können gleichzeitig zwei HSG mit einer HSG-Auffanggurtkopplung an der Rückseite des Auffanggurtes direkt unterhalb der hinteren Auffangöse befestigt werden (siehe Abbildung 9). Um zwei HSGs an einem Auffanggurt mittels einer HSG-Auffanggurtkopplung zu befestigen:

1. **Lösen des Gurtbandes am Auffanggurt:** Ziehen Sie an den Gurtbandschlaufen (A), wo diese durch den unteren Teil der hinteren Auffangöse (B) gehen, bis diese lang genug sind, um die HSG-Auffanggurtkopplung zwischen Gurtbandschlaufen und Auffangösenplatte durchzuziehen.
2. **Öffnen der Auffanggurtkopplung:** Drücken Sie die Sperrknöpfe (C) gleichzeitig herunter und ziehen Sie den Sicherungsstift (D) heraus.
3. **Positionierung des HSGs an der Auffanggurtkopplung:** Führen Sie die offene Verriegelung der Auffanggurtkopplung durch die Öse des Drehwheels jedes HSGs (E). Führen Sie die Kopplung durch die Ösen des Drehwheels, sodass die HSGs am Hauptteil der Auffanggurtkopplung (F) hängen.
4. **Positionierung der Auffanggurtkopplung an den Gurtbandschlaufen:** Positionieren Sie die offene Verriegelung der Auffanggurtkopplung um die Gurtbandschlaufen (A).
5. **Schließen der Auffanggurtkopplung:** Schieben Sie den Sicherungsstift (D) der Auffanggurtkopplung durch die losen Gurtbänder (A), bis dieser am anderen Ende der Auffanggurtkopplung einrastet. Ziehen Sie die Gurtbandschlaufen durch die hintere Auffangöse und die Rückenplatte zurück, um die Auffanggurtkopplung zu sichern.

Das rote Band am Knopfende des Sperrstifts der Auffanggurtkopplung steht bei geöffneter Auffanggurtkopplung hervor. Um das versehentliche Lösen der Verbindung zu verhindern, achten Sie vor dem Einsatz des Gurts sowie des befestigten HSG immer darauf, dass die Auffanggurtkopplung gesperrt ist. Nichtbeachtung kann Verletzungen oder den Tod zur Folge haben.

- **Befestigung von Doppel-HSGs an der festen hinteren Auffangöse des Auffanggurtes:** Bei älteren ExoFit-Auffangurten mit einer festen Auffangöse wird eine spezielle HSG-Auffanggurtkopplung benötigt, um zwei HSGs auf der Rückseite des Auffanggurtes unterhalb der hinteren Auffangöse befestigen zu können. Gehen Sie zur Befestigung von zwei HSG an einem ExoFit-Auffanggurt mit einer HSG-Auffanggurtkopplung für Gurte mit fester Auffangöse wie folgt vor (siehe Abbildung 10):

1. **Lösen der Gurtbänder am Auffanggurt:** Ziehen Sie die Gurtbandschlaufen (A) unten an der hinteren Auffangöse (B) durch, bis diese lang genug sind, um die HSG-Auffanggurtkopplung zwischen Gurtbandschlaufen und Rückenplatte durchzuziehen.
 2. **Öffnen der Auffanggurtkopplung:** Richten Sie die HSG-Auffanggurtkopplung wie gezeigt aus, schieben Sie die Verriegelungshülse (C) nach rechts, und drehen Sie diese im Uhrzeigersinn, um die Verriegelung (D) zu entsperren. Drehen Sie den Riegel (D), um ihn zu öffnen.
 3. **Einführen des ersten HSGs in die Auffanggurtkopplung:** Führen Sie das einfache Ende des Verbindungselementes (E) durch die Öse des Drehwirbels (F) des HSGs, und drehen Sie das HSG um das Verriegelungsende des Verbindungselements (G). Die Verriegelung kann geschlossen werden, damit die Öse des Drehwirbels zwischen Verriegelung und der langen Seite des Verbinders Platz hat.
 4. **Positionierung der Auffanggurtkopplung um die Gurtbandschlaufen herum:** Stecken Sie das einfache Ende des Verbindungselementes (E) hinter die Gurtbandschlaufen (A). Drehen Sie den Verbinder hinter die Gurtschlaufen, bis er die Gurtschlaufen umschließt.
 5. **Hinzufügen eines zweiten HSGs zur Auffanggurtkopplung:** Schieben Sie die Öse des Drehwirbels (F) des HSGs über das einfache Ende des Verbinders (E), und verschieben Sie die Öse des Drehwirbels des HSGs in das ovale Ende des Verbinders.
 6. **Schließen der Auffanggurtkopplung:** Schließen Sie die Verriegelung (D), und drehen Sie die Verriegelungshülse (C) zurück in die Verriegelungsposition. Ziehen Sie bei geschlossener Auffanggurtkopplung die Gurtschlaufen (A) zurück durch die hintere Auffangöse, um das Gurtband zu straffen und die Auffanggurtkopplung zwischen Gurtbandschlaufen und Rückenplatte zu sichern.
- **3M® DBI-SALA® Doppelkarabiner:** Der 3M® DBI-SALA® Doppelkarabiner wurde konstruiert, um zwei Nano-Lok HSGs nebeneinander auf der Rückseite eines Auffanggurtes unterhalb der hinteren Auffangöse (siehe Abbildung 12) anzuschlagen. Zur Befestigung von zwei Nano-Lok HSGs an einem Auffanggurt mit einem Doppelkarabiner:
 1. **Lösen des Gurtbandes am Auffanggurt:** Ziehen Sie an den Gurtschlaufen (A) an der hinteren Auffangöse (B), bis sie lang genug sind, um die Doppel-HSG-Auffanggurtkopplung zwischen Gurtschlaufen und Ösenplatte durchzuziehen.
 2. **Öffnen des Doppelkarabiners:** Drücken Sie das Verbindermittelstück (C) nach oben, um die Klemmen (D) am Verbinder zu öffnen, und drehen Sie das Verbindermittelstück nach oben, um den Riegel zu öffnen. Drücken Sie den Riegel (E) nach innen, um den Verbinder zu öffnen.
 3. **Einführen des ersten Nano-Lok HSGs in den Doppelkarabiner:** Stecken Sie den Verbinder mit dem einfachen Ende (F) durch die Öse des Drehwirbels (G) des HSGs, und drehen Sie das HSG um das Verriegelungsende des Verbinders (H). Die Verriegelung kann in Richtung des einfachen Endes gedreht werden, damit die Öse des Drehwirbels zwischen der Verriegelung und der langen Seite des Verbindungselementes platziert werden kann.
 4. **Positionierung des Doppelkarabiners um die Gurtbandschleifen herum:** Stecken Sie mit nach oben zeigender Verriegelung das einfache Ende des Verbindungselementes (F) hinter die Gurtbandschlaufen (A). Drehen Sie den Verbinder hinter die Gurtbandschlaufen, bis dieser die Gurtbandschlaufen umschließt.
 5. **Hinzufügen des zweiten Nano-Lok HSGs zu dem Doppelkarabiner:** Schieben Sie die Öse des Drehwirbels (G) des HSGs über das einfache Ende des Verbinders (F), und verschieben Sie die Öse des Drehwirbels des HSGs in das einfache Ende des Verbindungselementes (I). Drehen Sie den Riegel (E), um ihn zu schließen.
 6. **Schließen des Doppelkarabiners:** Drehen Sie das Verbindermittelstück (C) nach vorn, damit die Klammern (C) den Verbinder sichern. Wenn der Verbinder vollständig geschlossen ist, sollten die Gurtbandschlaufen durch den Gurtschlitz (J) oben im Verbindermittelstück passen. Sichern Sie die Öse des Drehwirbels des HSGs in den Muffen (K) auf beiden Seiten des Verbindermittelstücks. Ziehen Sie bei geschlossener Auffanggurtkopplung die Gurtbandschlaufen (A) zurück durch die hintere Auffangöse und die Auffangösenplatte, um das Gurtband zu straffen und um das Verbindungselement zwischen Gurtbandschlaufen und Auffangösenplatte zu sichern.
 - **3M® DBI-SALA® Doppelstiftkarabiner:** Diese Auffanggurtbefestigung kann verwendet werden, um einen Nano-Lok HSGs oder zwei Nano-Lok HSGs für Kletteranwendungen zu montieren (siehe Abbildung 11), bei denen eine 100%-ige Anbindung erforderlich ist:
 1. **Lösen des Gurtbandes am Auffanggurt:** Ziehen Sie an den Gurtschlaufen (A) an der hinteren Auffangöse (B), bis sie lang genug sind, um die Doppel-HSG-Auffanggurtkopplung zwischen Gurtschlaufen und Ösenplatte durchzuziehen.
 2. **Für eine Einzelkonfiguration:** Platzieren Sie die Öse des Drehwirbels eines einzelnen SRLs in den zentralen freien Bereich.
 3. **Für Doppelkonfigurationen:** Platzieren Sie die Öse des Drehwirbels eines HSGs in den offenen Bereich, der dem Stift am nächsten ist, und einen HSG in den offenen Bereich, der am weitesten vom Stift entfernt ist.
 4. Schieben Sie den Stift zurück an Ort und Stelle, bis ein Klicken hörbar ist. Der Stift sollte fest an dieser Stelle sitzen.
 5. Drücken Sie gleichzeitig die beiden Knöpfe auf der Auffanggurtseite des Verbindungselementes, während Sie den Stift herauschieben. Das Herausschieben dieses Stiftes schafft einen offenen Bereich.
 6. Ziehen Sie direkt unter der hinteren Auffangöse an Ihres Auffanggurtes etwas am Gurtband, um einen Durchhang zu entfernen. Platzieren Sie die Auffanggurtseite des Verbindungselementes unterhalb der Auffangöse.
 7. Schieben Sie den Stift wieder an seinen Platz und stellen Sie sicher, dass der Stift unter beiden Lagen des Gurtbandes bleibt, bis Sie ein Klicken hören. Der Stift sollte fest verriegelt sein.

4.0 BETRIEB

Wer Höhengsicherungsgeräte (HSG) zum ersten Mal oder selten benutzt, sollte vor der Verwendung des HSGs die „Sicherheitsinformationen“ am Anfang dieses Handbuchs lesen.

- 4.1 **VOR JEDEM EINSATZ:** Überprüfen Sie die Absturzsicherungs-ausrüstung vor jedem Einsatz sorgfältig, um sicherzustellen, dass sie sich in einem einwandfreien Arbeitszustand befindet. Prüfen Sie sie auf abgenutzte oder beschädigte Teile. Stellen Sie sicher, dass alle Schrauben vorhanden und gesichert sind. Vergewissern Sie sich, dass sich das Sicherungsseil richtig aufrollt, indem Sie es herausziehen und langsam aufrollen lassen. Falls sich der Rückzug verzögert, sollte die Einheit außer Betrieb genommen und entsorgt werden. Kontrollieren Sie das Sicherungsseil auf Einschnitte,

Ausfransungen, Verbrennungen, Quetschungen und Korrosion. Prüfen Sie die Arretierfunktion durch festes Ziehen am Seil. Inspektionsdetails finden Sie im Inspektions- und Wartungsprotokoll (Tabelle 3). Verwenden Sie die Ausrüstung nicht, wenn bei der Inspektion ein unsicherer Zustand festgestellt wurde.

- 4.2 NACH EINEM ABSTURZ:** Alle Ausrüstungsgegenstände, die Kräften durch das Abfangen eines Falles ausgesetzt waren oder Schäden aufweisen, die denen entsprechen, die beim Abfangen eines Falles auftreten und in Tabelle 3 beschrieben sind, müssen sofort entfernt und vernichtet werden.
- 4.3 AUFFANGVORRICHTUNG:** Beim Einsatz eines HSGs muss ein Auffanggurt getragen werden. Verbinden Sie ihn für einen allgemeinen Einsatz zur Absturzsicherung mit der hinteren Auffangöse (D-Ring am Rücken).
- 4.4 ANSCHLAGEN:** Abbildung 5 zeigt die Auffanggurt- und Verankerungsverbindungen für HSG-Absturzsicherungssysteme. Sollten Sie für die Verbindung einen Haken verwenden, vergewissern Sie sich, dass ein Herausrutschen nicht möglich ist (siehe Abbildung 5). Verwenden Sie keine Haken oder Verbindungselemente, die sich nicht vollständig über dem angehängten Objekt schließen. Verwenden Sie keine nicht verriegelnden Schnapphaken. Die Verankerung muss die Stärkeanforderungen erfüllen, die in Tabelle 2 angegeben sind. Befolgen Sie die Herstelleranweisungen, die den einzelnen Systemkomponenten beiliegen.
- 4.5 BEDIENUNG:** Überprüfen Sie das HSG vor dem Einsatz wie in Tabelle 3 beschrieben. Abbildung 14 zeigt Systemverbindungen für typische HSG-Anwendungsbereiche. Verbinden Sie das HSG mit einer geeigneten Verankerung oder befestigen Sie das HSG wie in den Anweisungen in Abschnitt 3 beschrieben an einem Auffanggurt. Wenn das HSG an einer Verankerung befestigt wurde, verbinden Sie den Haken (D) oder Karabiner an der Lastenanzeige mit der hinteren Auffangöse (A) des Auffanggurts. Wenn das HSG am Auffanggurt befestigt wurde, verbinden Sie den Haken (D) oder Karabiner an einer geeigneten Verankerung. Prüfen Sie, ob alle Verbindungselemente in Größe, Form und Stärke miteinander kompatibel sind. Vergewissern Sie sich, dass die Haken geschlossen und verriegelt sind. Sobald der Arbeiter eingeseilt ist, kann er sich innerhalb des empfohlenen Arbeitsbereichs mit der normalen Geschwindigkeit bewegen. Bei einem Absturz blockiert das HSG und fängt den Sturz auf. Setzen Sie das HSG nach einer Rettung nicht mehr ein. Wenn Sie mit einem HSG arbeiten, lassen Sie das Sicherungsseil stets kontrolliert in das Gerät zurückrollen.
- 4.6 100%IGE VERANKERUNG MIT DER DOPPEL-HSG-KOPPLUNG:** Wenn zwei HSG nebeneinander auf der Rückseite eines Auffanggurts befestigt werden, kann das HSG-Absturzsicherungssystem zur stufenlosen Fallsicherung (100%-ige Verankerung) beim Auf- und Abstieg und seitlichen Bewegungen verwendet werden (siehe Abbildung 15). Wenn ein Verbindungsseil mit dem HSG an einem Verankerungspunkt befestigt ist, kann der Arbeiter an einen anderen Ort umsetzen, das zweite, nicht verwendete Verbindungsseil des anderen HSG an einem weiteren Verankerungspunkt anbringen und das ursprüngliche Verbindungsseil lösen. Diese Vorgehensweise wird wiederholt, bis der gewünschte Ort erreicht wird. Bei der Absicherung mit zwei HSG 100-prozentigen Verankerungsanwendungen ist Folgendes zu beachten:
- HSG-Verbindungsmittel dürfen niemals beide am selben Anschlagpunkt befestigt werden (siehe Abbildung 16A).
 - Wird mehr als ein Verbindungselement mit einer einzigen Verankerung (Ring oder Öse) verbunden, kann die Kompatibilität der Verbindung durch die Interaktion der Verbindungselemente beeinträchtigt werden. Dies wird daher nicht empfohlen.
 - Befestigen Sie jedes HSG-Verbindungsmittel an einem separaten Anschlagpunkt (siehe Abbildung 16B).
 - Jeder Verbindungspunkt muss unabhängig 10 kN (2.248 lbs) unterstützen oder als ausgereifte Systemlösung, z. B. als horizontales Sicherungsseil, ausgelegt sein.
 - Verbinden Sie niemals mehr als eine Person zur selben Zeit mit dem Doppel-HSG-System (Abbildung 16C).
 - Die Verbindungsmittel dürfen nicht verheddern oder miteinander verdreht werden, um das Einziehen nicht zu verhindern.
 - Verbindungsmittel dürfen bei der Verwendung nicht unter Armen oder zwischen den Beinen durchgeführt werden.
- 4.7 BEFESTIGUNG DER HINTEREN AUFFANGÖSE DES DOPPEL-HSGS:** Modelle mit Dreifach-Aktions-Karabiner können in einer Doppelkonfiguration an die hintere Auffangöse angeschlossen werden. Befestigung von zwei HSGs an der hinteren Auffangöse eines Auffanggurts (Abbildung 13):
- 1. Öffnen des Dreifach-Aktions-Karabiners:** Halten Sie den Dreifach-Aktions-Karabiner wie gezeigt, und schieben Sie die Verriegelungshülse (C) nach rechts, drehen Sie diese dann im Uhrzeigersinn, um die Verriegelung zu entriegeln (D). Drehen Sie den Riegel (D), um ihn zu öffnen.
 - 2. Einführen des ersten HSGs in den Dreifach-Aktions-Karabiner:** Stecken Sie das einfache Ende (E) des Verbindungselementes durch die Öse des Drehwirbels (F) des HSGs, und drehen Sie dann das HSG um das Verriegelungsende des Verbindungselementes (G). Die Verriegelung kann geschlossen werden, damit die Öse des Drehwirbels zwischen Verriegelung und der langen Seite des Verbinders Platz hat.
 - 3. Hinzufügen des zweiten HSGs zu dem Dreifach-Aktions-Karabiner:** Schieben Sie die Öse des Drehwirbels des HSGs (F) über das einfache Ende des Verbindungselementes (E).
 - 4. Einführen des Dreifach-Aktions-Karabiners in die Auffangöse:** Führen Sie das einfache Ende des Verbindungselementes (E) durch die hintere Auffangöse (A). Drehen Sie das Verbindungselement durch die Auffangöse, bis die Verriegelung geschlossen werden kann.
 - 5. Schließen des Dreifach-Aktions-Karabiners:** Schließen Sie die Verriegelung (D), und drehen Sie die Verriegelungshülse (C) zurück in die Verriegelungsposition.
- 4.8 HORIZONTALE SYSTEME:** Bei Anwendungen, in denen ein HSG zusammen mit einem horizontalen System (d. h. horizontales Rettungsseil, Läufer für horizontale I-Träger) eingesetzt wird, müssen das HSG und die horizontalen Systemkomponenten kompatibel sein. Horizontale Absturzsicherungssysteme müssen unter der Aufsicht eines qualifizierten Sachverständigen ausgelegt und installiert werden. Weitere Details erhalten Sie vom Hersteller des horizontalen Systems.

Fallraumwerte in Abbildung 4 basieren auf der Verankerung an einem starren, stationären Verankerungspunkt und gelten nicht für die Verankerung an einem System mit horizontaler Absturzsicherung (HLL-System). Sehen Sie die HLL-Bedienungsanleitung und kontaktieren Sie den Installateur des HLL-Systems, um die erforderlichen Fallräume zu ermitteln.

5.0 Inspektion

5.1 RFID-TRANSPONDER: Die Selbsteinzugsvorrichtung umfasst einen RFID (Radio Frequency Identification)-Transponder (siehe Abbildung 17). Das RFID-Tag kann mit dem tragbaren Lesegerät und dem webbasierten Portal dazu verwendet werden, die Inspektion und Bestandskontrolle zu erleichtern und Aufzeichnungen über Ihre Absturzsicherungsausrüstung zu führen. Weitere Einzelheiten erfahren Sie von einem 3M Kundendienstmitarbeiter (siehe Rückseite). Befolgen Sie die mit dem tragbaren Lesegerät gelieferten oder über das Webportal verfügbaren Anweisungen, um Ihre Daten auf Ihr Webprotokoll zu übertragen.

5.2 UNTERSUCHUNGSHÄUFIGKEIT: Das Selbsteinzugsgerät muss gemäß den im Abschnitt 2 genannten Intervallen inspiziert werden. Die Inspektionsaktivitäten werden im „*Inspektions- und Wartungsprotokoll*“ (Tabelle 3) beschrieben.

Extreme Arbeitsbedingungen (raue Umweltbedingungen, andauernde Verwendung usw.) können eine häufigere Inspektion erforderlich machen (siehe Tabelle 2).

5.2 BEI GEFAHREN ODER MÄNGELZUSTÄNDEN: Falls bei der Inspektion ein unsicherer oder mangelhafter Zustand festgestellt wird, nehmen Sie das HSG außer Betrieb und entsorgen Sie es (siehe Abschnitt 6).

Nur 3M oder Dritte, die hierzu schriftlich autorisiert sind, dürfen Reparaturen an dieser Ausrüstung vornehmen.

5.3 PRODUKTLEBENSDAUER: Die Lebensdauer der Selbsteinzugsgeräte von 3M wird von den Arbeitsbedingungen und der Wartung bestimmt. Solange das Produkt die Inspektionskriterien erfüllt, kann es in Betrieb bleiben (innerhalb der maximalen Produktlebensdauer). Die maximale Produktlebensdauer von HSGs mit Textil-Gurtband-Sicherungsseilen beträgt nicht mehr als 10 Jahre, gerechnet ab Herstellungsdatum.

6.0 WARTUNG, REPARATUR und AUFBEWAHRUNG

6.1 REINIGUNG: Die Reinigung des HSGs sollte wie folgt durchgeführt werden:

- Reinigen Sie die Außenseite des HSGs regelmäßig mit Wasser und einer milden Seifenlösung. Positionieren Sie das HSG so, dass überschüssiges Wasser abfließen kann. Reinigen Sie die Etiketten bei Bedarf.
- Reinigen Sie das Gurtband-Sicherungsseil mit Wasser und einer milden Seifenlösung. Ausspülen und gründlich an der Luft trocknen lassen. Trocknen Sie das Gerät nicht durch Erwärmen. Lassen Sie das Sicherheitsseil vollständig trocknen, bevor Sie es wieder im Gehäuse aufrollen. Übermäßige Ablagerungen von Schmutz, Farbe usw. können verhindern, dass das Sicherheitsseil vollständig ins Gehäuse eingezogen wird, mit der Gefahr eines möglichen freien Absturzes.

6.2 SERVICE: HSG können nicht repariert werden. Wenn das HSG einen Sturz aufgefangen hat oder wenn bei der Inspektion ein unsicherer oder mangelhafter Zustand festgestellt wird, nehmen Sie das HSG außer Betrieb und entsorgen Sie es (siehe „*Entsorgung*“).

6.3 LAGERUNG/TRANSPORT: Transportieren und lagern Sie HSG an einem kühlen, trockenen und sauberen Ort, der vor direkter Sonneneinstrahlung geschützt ist. Setzen Sie das Produkt keinen chemischen Dämpfen aus. Kontrollieren Sie das HSG nach jeder längeren Lagerung.

6.4 ENTSORGUNG: Entsorgen Sie das HSG, wenn es einer Sturzenergie ausgesetzt war oder bei der Inspektion ein unsicherer oder mangelhafter Zustand festgestellt wurde. Schneiden Sie das Sicherheitsseil vor der Entsorgung des HSGs durch oder machen Sie das HSG auf andere Weise unbrauchbar, um so eine unsachgemäße Wiederverwendung zu vermeiden.

7.0 Etiketten

In Abbildung 22 werden die Produktetiketten und deren Positionen an den Selbsteinzugsgeräten gezeigt. Alle Etiketten müssen am HSG vorhanden sein. Etiketten müssen ersetzt werden, wenn sie nicht vollständig lesbar sind. Piktogramme auf den Etiketten sind wie folgt definiert:

1	Karabinerhaken und Beanspruchungsanzeige überprüfen.
2	Blockierfunktion des HSGs überprüfen.
3	Richtiger Anschluss des HSGs an einen Auffanggurt.
4	Nicht für den Einsatz an scharfen Kanten zertifiziert. Eine Sicherung an einem Verankerungspunkt auf, unter oder über Höhe der hinteren Auffangöse (bis max. 140 kg) ist zulässig.
5	Temperaturbereich für die Benutzung -40 °C bis +60 °C
6	Maximale Traglast 140 kg
7	Sicherungsseil immer kontrolliert in das HSG zurückrollen lassen.
8	Nicht reparieren.
9	Lagerung an einem kühlen, trockenen, sauberen und von direkter Sonneneinstrahlung geschützten Ort.
10	Nicht über eine Kante belasten.
11	Nicht das Etikett entfernen.

Tabelle 3 – Inspektions- und Wartungsprotokoll

Seriennummer(n):		Gekauft am:	
Modellnummer:		Datum des ersten Einsatzes:	
Inspektionsdatum:		Inspiziert von:	
Komponente:	Inspektion: (Siehe Abschnitt 2 für <i>Inspektionshäufigkeit</i>)	Bestanden	Mangelhaft
HSG (Abbildung 18)	Kontrollieren Sie auf lockere Verbindungen und verbogene oder beschädigte Teile.	<input type="checkbox"/>	<input type="checkbox"/>
	Prüfen Sie das Gehäuse (A) auf Verformung, Risse oder andere Schäden.	<input type="checkbox"/>	<input type="checkbox"/>
	Prüfen Sie den Schwenkring (B), die schwenkbare Öse (C) und den integrierten Verbinder (D) auf Verformung, Risse oder sonstige Schäden. Die Schwenkvorrichtung muss sicher mit dem HSG verbunden sein, sich aber frei drehen können. Die schwenkbare Öse und das integrierte Verbindungselement müssen sich im Schwenkring völlig frei drehen können.	<input type="checkbox"/>	<input type="checkbox"/>
	Das Sicherungsseil (E) muss ohne Verzögerung und Durchhängen vollständig aus- und eingezogen werden können.	<input type="checkbox"/>	<input type="checkbox"/>
	Stellen Sie sicher, dass das HSG blockiert, wenn das Sicherungsseil schnell ausgezogen wird. Das Sperren sollte unmittelbar und ohne Rutschen erfolgen.	<input type="checkbox"/>	<input type="checkbox"/>
	Alle Etiketten müssen vorhanden und vollständig lesbar sein (siehe Abbildung 20).	<input type="checkbox"/>	<input type="checkbox"/>
	Prüfen Sie das gesamte HSG auf Korrosionserscheinungen.	<input type="checkbox"/>	<input type="checkbox"/>
Endverbinder (Abbildung 19)	In Tabelle 2 werden die Endverbinder aufgeführt, die zu Ihrem Nano-Lok HSG-Modell gehören. Kontrollieren Sie alle Karabinerhaken, Bewehrungshaken, Kopplungen sowie die anderen Teile auf Zeichen von Beschädigungen und Korrosion sowie auf ihre ordnungsgemäße Funktion. Sofern zutreffend: Sperren müssen sich richtig öffnen, schließen, sperren und entsperren lassen, und Sperrknöpfe und Sicherungsstifte müssen ordnungsgemäß funktionieren.	<input type="checkbox"/>	<input type="checkbox"/>
Gewebtes Sicherungsseil (Abbildung 20)	Überprüfen Sie das Gurtband: Das Material darf keine Schnitte (A), Ausfransungen (B) oder gebrochenen Fasern aufweisen. Achten Sie auf Risse, Abnutzung, starke Verschmutzung (C), Schimmel, Verbrennungen (D) oder Verfärbungen. Überprüfen Sie die Nähte; achten Sie auf gerissene oder zerschnittene Nähte. Zerstörte Nähte können ein Hinweis darauf sein, dass der Gurt stark beansprucht worden ist und nicht mehr verwendet werden sollte.	<input type="checkbox"/>	<input type="checkbox"/>
Falldämpfer (Abbildung 21)	Stellen Sie sicher, dass der integrierte Falldämpfer nicht aktiviert wurde. Eine geöffnete oder eine aufgerissene Abdeckung (A), ein aus der Abdeckung herausgezogenes Gurtband, zerrissenes oder ausgefranstes Gurtband (B), gerissene Nähte usw. sind Anzeichen eines aktivierten Falldämpfers.	<input type="checkbox"/>	<input type="checkbox"/>
Korrekturmaßnahmen/Wartung:		Genehmigt von:	
		Datum:	
Korrekturmaßnahmen/Wartung:		Genehmigt von:	
		Datum:	
Korrekturmaßnahmen/Wartung:		Genehmigt von:	
		Datum:	
Korrekturmaßnahmen/Wartung:		Genehmigt von:	
		Datum:	
Korrekturmaßnahmen/Wartung:		Genehmigt von:	
		Datum:	
Korrekturmaßnahmen/Wartung:		Genehmigt von:	
		Datum:	
Korrekturmaßnahmen/Wartung:		Genehmigt von:	
		Datum:	

Παρακαλούμε διαβάστε, κατανοήστε και ακολουθήστε όλες τις πληροφορίες ασφαλείας που περιλαμβάνονται σε αυτές τις οδηγίες πριν από τη χρήση της Αυτο-Ανασυρόμενης Συσκευής (SRD). **ΣΕ ΑΝΤΙΘΕΤΗ ΠΕΡΙΠΤΩΣΗ, ΕΝΔΕΧΕΤΑΙ ΝΑ ΠΡΟΚΛΗΘΕΙ ΣΟΒΑΡΟΣ ΤΡΑΥΜΑΤΙΣΜΟΣ Ή ΘΑΝΑΤΟΣ.**

Οι οδηγίες αυτές πρέπει να δοθούν στον χρήστη αυτού του εξοπλισμού. Κρατήστε αυτές τις οδηγίες για μελλοντική αναφορά.

Προβλεπόμενη χρήση:

Αυτή η Αυτο-Ανασυρόμενη Συσκευή προορίζεται για χρήση ως μέρος ενός Ατομικού Συστήματος Προστασίας Πτώσης.

Η χρήση σε οποιαδήποτε άλλη εφαρμογή, όπως π.χ. χειρισμό υλικών, ψυχαγωγικές ή αθλητικές δραστηριότητες και άλλες δραστηριότητες που δεν αναφέρονται στις οδηγίες χρήστη, δεν είναι εγκεκριμένη από τη 3M και μπορεί να προκαλέσει σοβαρό τραυματισμό ή θάνατο.

Αυτό το σύστημα προορίζεται αποκλειστικά για χρήση από εκπαιδευμένους χρήστες σε εφαρμογές στον χώρο εργασίας.

! ΠΡΟΕΙΔΟΠΟΙΗΣΗ

Αυτή η Αυτο-Ανασυρόμενη Συσκευή αποτελεί μέρος ενός Ατομικού Συστήματος Προστασίας Πτώσης. Αναμένεται όλοι οι χρήστες να είναι πλήρως εκπαιδευμένοι στην ασφαλή εγκατάσταση και λειτουργία του ατομικού τους συστήματος προστασίας πτώσης. **Η λανθασμένη χρήση αυτού του συστήματος μπορεί να προκαλέσει σοβαρό τραυματισμό ή θάνατο.** Για την κατάλληλη επιλογή, λειτουργία, εγκατάσταση, συντήρηση και σέρβις, ανατρέξτε στις παρούσες Οδηγίες Χρήστη, καθώς και σε όλες τις συστάσεις του κατασκευαστή, απευθυνθείτε στον προϊστάμενό σας ή επικοινωνήστε με τις Τεχνικές Υπηρεσίες 3M.

- **Για τη μείωση των κινδύνων που σχετίζονται με την εργασία με μια Αυτο-Ανασυρόμενη Συσκευή, οι οποίοι μπορούν να οδηγήσουν σε σοβαρό τραυματισμό ή θάνατο, αν δεν αποφευχθούν:**
 - Πριν από τη χρήση, επιθεωρήστε την Αυτο-Ανασυρόμενη Συσκευή και βεβαιωθείτε ότι κλειδώνει και ανασύρεται σωστά.
 - Αν η επιθεώρηση δείξει επισφαλή ή ελαττωματική κατάσταση, μην χρησιμοποιήσετε τη συσκευή και επισκευάστε την ή αντικαταστήστε την σύμφωνα με τις Οδηγίες Χρήστη.
 - Αν η Αυτο-Ανασυρόμενη Συσκευή έχει υποστεί πτώση ή πρόσκρουση, σταματήστε αμέσως τη χρήση του συστήματος και προσθέστε την ετικέτα "ΑΚΑΤΑΛΛΗΛΟ ΓΙΑ ΧΡΗΣΗ".
 - Βεβαιωθείτε ότι το διασωστικό σκοινί δεν εμποδίζεται από οτιδήποτε, συμπεριλαμβανομένου, μεταξύ άλλων, του μπλεξιματος σε κινούμενα μηχανήματα ή εξοπλισμό (π.χ. κινητήρες Top Drive σε πετρελαϊκές εξέδρες), άλλους εργαζόμενους, τον εαυτό σας, τα γύρω αντικείμενα ή προσκρούσεις από εναέρια αντικείμενα που θα μπορούσαν να πέσουν πάνω στο διασωστικό σκοινί ή τον εργαζόμενο.
 - Μην αφήνετε περιθώριο στο διασωστικό σκοινί. Μην δένετε ή κάνετε κόμπους στο διασωστικό σκοινί.
 - Συνδέστε το(α) μη χρησιμοποιούμενο(α) σκέλος(η) του σκοινιού της προσαρμοσμένης εξάρτησης Αυτο-Ανασυρόμενης Συσκευής στο(α) προσάρτημα(τα) ασφαλούς στοίβαξης της εξάρτησης, εάν παρέχεται.
 - Μην χρησιμοποιείτε σε εφαρμογές όπου η τροχιά πτώσης παρεμποδίζεται. Η εργασία σε υλικά που μετατοπίζονται αργά, όπως η άμμος ή κοκκώδη υλικά/χαλίκια ή σε περιορισμένους, στενούς χώρους δεν θα επιτρέψει την ανάπτυξη αρκετής ταχύτητας για το κλειδώμα της συσκευής SRD. Απαιτείται ανεμπόδιστη τροχιά για να εξασφαλιστεί το σωστό κλειδώμα της συσκευής SRD.
 - Αποφύγετε ξαφνικές ή γρήγορες κινήσεις κατά τη διάρκεια της κανονικής εργασίας. Αυτό μπορεί να προκαλέσει το κλειδώμα της συσκευής.
 - Βεβαιωθείτε ότι τα συστήματα/υποσυστήματα προστασίας από πτώσεις, που αποτελούνται από εξαρτήματα άλλων κατασκευαστών, είναι συμβατά και πληρούν τις απαιτήσεις των εφαρμοστέων προτύπων, όπως το ANSI Z359 ή άλλοι εφαρμοστέοι κώδικες, πρότυπα και απαιτήσεις για την προστασία από πτώσεις. Να συμβουλευέστε πάντα ένα ικανό ή/και καταρτισμένο άτομο πριν από τη χρήση αυτών των συστημάτων.
- **Για τη μείωση των κινδύνων που σχετίζονται με την εργασία σε ύψος, οι οποίοι μπορούν να οδηγήσουν σε σοβαρό τραυματισμό ή θάνατο, αν δεν αποφευχθούν:**
 - Βεβαιωθείτε ότι η υγεία και η φυσική σας κατάσταση σας επιτρέπουν να αντιμετωπίσετε με ασφάλεια τις δυνάμεις που σχετίζονται με την εργασία σε ύψος. Αν έχετε απορίες σχετικά με τη ικανότητά σας να χρησιμοποιήσετε αυτόν τον εξοπλισμό, συμβουλευθείτε τον γιατρό σας.
 - Μην υπερβείτε ποτέ την επιτρεπόμενη ικανότητα του εξοπλισμού προστασίας από πτώσεις.
 - Μην υπερβείτε ποτέ τη μέγιστη απόσταση ελεύθερης πτώσης του εξοπλισμού προστασίας από πτώσεις.
 - Μην χρησιμοποιήσετε εξοπλισμό προστασίας από πτώσεις αν αυτός δεν έχει περάσει από επιθεωρήσεις πριν από τη χρήση και άλλους προγραμματισμένους ελέγχους ή αν έχετε ανησυχίες σχετικά με τη χρήση ή την καταλληλότητα του εξοπλισμού για την εφαρμογή σας. Για τυχόν απορίες, επικοινωνήστε με το τμήμα Τεχνικής Υποστήριξης της 3M.
 - Ορισμένοι συνδυασμοί υποσυστημάτων και εξαρτημάτων ενδέχεται να επηρεάσουν τη λειτουργία αυτού του εξοπλισμού. Χρησιμοποιείτε μόνο συμβατούς συνδυασμούς. Πριν χρησιμοποιήσετε αυτόν τον εξοπλισμό μαζί με εξαρτήματα ή υποσυστήματα διαφορετικά από αυτά που απαριθμούνται στις οδηγίες χρήστη, συμβουλευτείτε την 3M.
 - Να είστε εξαιρετικά προσεκτικοί όταν εργάζεστε κοντά σε κινούμενα μηχανήματα (π.χ. κινητήρες Top Drive σε πετρελαϊκές εξέδρες), ηλεκτρικό ρεύμα, ακραίες θερμοκρασίες, επικίνδυνα χημικά, εκρηκτικά ή τοξικά αέρια, αιχμηρές άκρες ή κάτω από υλικά τα οποία μπορεί να πέσουν πάνω σας ή πάνω στον εξοπλισμό προστασίας από πτώσεις.
 - Κατά την εργασία σε χώρους με υψηλές θερμοκρασίες, χρησιμοποιείτε συσκευές Arc Flash ή Hot Works.
 - Αποφεύγετε επιφάνειες και αντικείμενα που μπορούν να προκαλέσουν τραυματισμό στον χρήστη ή ζημιά στον εξοπλισμό.
 - Κατά την εργασία σε ύψος, βεβαιώνετε ότι υπάρχει επαρκές διάκενο για πτώση.
 - Μην πραγματοποιείτε αλλαγές ή αλλοιώσεις στον εξοπλισμό προστασίας από πτώσεις. Μόνο η 3M ή γραπτός εξουσιοδοτημένος αντιπρόσωπος της 3M μπορούν να κάνουν επισκευές σε αυτό τον εξοπλισμό.
 - Πριν από τη χρήση εξοπλισμού προστασίας από πτώσεις, βεβαιώνετε ότι έχει εκπονηθεί σχέδιο διάσωσης το οποίο επιτρέπει την άμεση διάσωση σε περίπτωση πτώσης.
 - Σε περίπτωση πτώσης, αναζητήστε αμέσως ιατρική βοήθεια για τον εργαζόμενο ο οποίος υπέστη την πτώση.
 - Μην χρησιμοποιείτε ζώνη σώματος για εφαρμογές ανάσχεσης πτώσης. Χρησιμοποιείτε μόνο ολόσωμη εξάρτηση.
 - Για να μειώσετε την πιθανότητα πτώσης με αιώρηση, εργάζεστε, κατά το δυνατόν, ακριβώς κάτω από το σημείο αγκύρωσης.
 - Αν πραγματοποιείτε εκπαίδευση σε αυτή τη συσκευή, πρέπει να χρησιμοποιείτε ένα δευτερεύον σύστημα προστασίας από πτώσεις, έτσι ώστε ο εκπαιδευόμενος να μην εκτίθεται ακούσια σε κίνδυνο πτώσης.
 - Κατά την εγκατάσταση, χρήση ή επιθεώρηση της συσκευής / του συστήματος, φοράτε τα κατάλληλα μέσα ατομικής προστασίας.

Πριν από τη χρήση του εξοπλισμού αυτού, καταγράψτε τα στοιχεία αναγνώρισης του προϊόντος που βρίσκονται στην ετικέτα ID στο «Ημερολόγιο Καταγραφής Επιθεώρησης και Συντήρησης» στο πίσω μέρος του παρόντος εγχειριδίου.

ΠΕΡΙΓΡΑΦΗ:

Η εικόνα 2 απεικονίζει τα βασικά εξαρτήματα των Αυτο-Ανασυρόμενων Συσκευών (SRD) Nano-Lok DBI-SALA® της 3M™. Οι συσκευές SRD Nano-Lok είναι Web Διασωστικά Σκοινιά (A) τυλιγμένα σε τύμπανο με ενσωματωμένο απορροφητή ενέργειας (B), που ανασύρεται μέσα σε νάιλον περίβλημα (C). Ένα μάτι στο στροφέα (D) στο επάνω μέρος του περιβλήματος επιτρέπει την προσάρτηση σε κατάλληλο σημείο σύνδεσης αγκύρωσης με Καραμπίνερ (E) ή την τοποθέτηση σε ολόσωμη εξάρτηση με μια διεπαφή εξάρτησης (F). Η εικόνα 1 απεικονίζει τα διαθέσιμα μοντέλα Nano-Lok και τις διαμορφώσεις των συνδετήρων τους. Δείτε τον Πίνακα 1 για τις προδιαγραφές της συσκευής SRD Nano-Lok και των συνδετήρων.

Πίνακας 1 – Προδιαγραφές

Προδιαγραφές εξαρτημάτων:

Περιβλήματα SRL	Νάιλον
Τύμπανο	Νάιλον
Εσωτερικά εξαρτήματα	Ανοξείδωτος χάλυβας, Αλουμίνιο
Web διασωστικό σκοινί	Πολυεστέρας Dyneema
Απορροφητής ενέργειας	Κάλυμμα: Ελαστικό νιτριλίου, Ιστός: Πολυεστέρας, Ραφές: Νήμα από πολυεστέρα ή νάιλον
Στροφέας	Χάλυβας Επικάλυψης Ψευδαργύρου

Προδιαγραφές συνδετήρα:

	Περιγραφή	Υλικό	Άνοιγμα πύλης	Αντοχή πύλης	Αντοχή Εφελκυσμού
①	Μάτι στροφέα	Χάλυβας	22,35 χλστ. (0,88 ίντσες) εσωτερική διάμετρος	X	22,2 kN (5.000 λίβρες)
②	Καραμπίνερ	Αλουμίνιο	19 χλστ. (3/4 ίντσες)	16 kN (3.600 λίβρες)	22,2 kN (5.000 λίβρες)
③	Καραμπίνερ	Χάλυβας	19 χλστ. (3/4 ίντσες)	16 kN (3.600 λίβρες)	22,2 kN (5.000 λίβρες)
④	Διεπαφή μονού SRD	Χάλυβας	51 χλστ. (2 ίντσες)	16 kN (3.600 λίβρες)	22,2 kN (5.000 λίβρες)
⑤	Διεπαφή διδύμου SRD	Χάλυβας με νάιλον ένθετο	19 χλστ. (3/4 ίντσες)	16 kN (3.600 λίβρες)	22,2 kN (5.000 λίβρες)
⑥	Καραμπίνερ	Αλουμίνιο, χάλυβας	56 χλστ. (2,19 ίντσες)	16 kN (3.600 λίβρες)	22,2 kN (5.000 λίβρες)
⑦	Καραμπίνερ	Αλουμίνιο	19 χλστ. (3/4 ίντσες)	16 kN (3.600 λίβρες)	22,2 kN (5.000 λίβρες)
⑧	Γάντζος Ενισχυτικής Ράβδου	Αλουμίνιο	57 χλστ. (2-1/4 ίντσες)	16 kN (3.600 λίβρες)	22,2 kN (5.000 λίβρες)
⑨	Γάντζος Ενισχυτικής Ράβδου	Αλουμίνιο	63 χλστ. (2-1/2 ίντσες)	16 kN (3.600 λίβρες)	22,2 kN (5.000 λίβρες)
⑩	Καραμπίνερ	Αλουμίνιο	52 χλστ. (2 ίντσες)	16 kN (3.600 λίβρες)	22,2 kN (5.000 λίβρες)
⑪	Γάντζος Ενισχυτικής Ράβδου	Αλουμίνιο, χάλυβας	63 χλστ. (2-1/2 ίντσες)	16 kN (3.600 λίβρες)	22,2 kN (5.000 λίβρες)
⑫	Καραμπίνερ	Χάλυβας	19 χλστ. (3/4 ίντσες)	16 kN (3.600 λίβρες)	22,2 kN (5.000 λίβρες)
⑬	Γάντζος Ενισχυτικής Ράβδου	Αλουμίνιο	57 χλστ. (2-1/4 ίντσες)	16 kN (3.600 λίβρες)	22,2 kN (5.000 λίβρες)
⑭	Γάντζος αυτόματου κλειθρού	Χάλυβας	19 χλστ. (3/4 ίντσες)	16 kN (3.600 λίβρες)	22,2 kN (5.000 λίβρες)

Προδιαγραφές απόδοσης:

Προδιαγραφές SRL (Κάθετο)	Μοντέλα CE	
Εύρος δυναμικότητας	59 κιλά - 100 κιλά (130 λίβρες - 220 λίβρες)	100 κιλά - 140 κιλά (220 λίβρες - 310 λίβρες)
Μέγιστη δύναμη ανάσχεσης	6 kN (1.350 λίβρες)	6 kN (1.350 λίβρες)
Μέση δύναμη ανάσχεσης	4 kN (900 λίβρες)	4 kN (900 λίβρες)
Αναφερόμενη μέγιστη απόσταση ανάσχεσης ¹	0,61 μ. (24 ίντσες)	0,61 μ. (24 ίντσες)
Ελάχιστο απαιτούμενο διάκενο πτώσης ¹	1,5 μ. (5 πόδια)	1,8 μ. (5,8 πόδια)
Μέγιστη ελεύθερη πτώση ²	1,5 μ. (5 πόδια)	1,5 μ. (5 πόδια)

1 - Υποθέτει ότι το SRL είναι τοποθετημένο ακριβώς πάνω (από το κεφάλι) του τελικού χρήστη.

2 - Έχει μετρηθεί από τον D-Κρίκο του χρήστη έως την επιφάνεια βάδισης/εργασίας. Για λεπτομέρειες, ανατρέξτε στο/στα Διάγραμμα(τα) Διάκενου Πτώσης.

1.0 ΕΦΑΡΜΟΓΕΣ

- 1.1 ΣΚΟΠΟΣ:** Οι Αυτο-Ανασυρόμενες Συσκευές (SRLs) είναι σχεδιασμένες ώστε να αποτελούν εξάρτημα του Ατομικού Συστήματος Ανάσχεσης Πτώσης (PFAS). Η εικόνα 1 απεικονίζει τις Αυτο-Ανασυρόμενες Συσκευές που αναφέρονται σε αυτό το Εγχειρίδιο Οδηγίων. Μπορούν να χρησιμοποιηθούν στις περισσότερες περιπτώσεις όταν απαιτείται συνδυασμός της κινητικότητας του εργαζομένου και προστασίας από πτώσεις (π.χ. επιθεώρηση έργου, γενική κατασκευή, συντήρηση έργου, παραγωγή πετρελαίου, περιορισμένος χώρος εργασιών, κ.λπ.).
- 1,2 ΠΡΟΤΥΠΑ:** Η συσκευή SRD συμμορφώνεται με το(α) εθνικό(ά) ή περιφερειακό(ά) πρότυπο(α) που καθορίζεται(ονται) στο εξώφυλλο αυτών των οδηγιών. Ανατρέξτε στις τοπικές, κρατικές και ομοσπονδιακές απαιτήσεις που διέπουν την επαγγελματική ασφάλεια για πρόσθετες πληροφορίες σχετικά με τα ατομικά συστήματα προστασίας από πτώση.
- 1,3 ΕΚΠΑΙΔΕΥΣΗ:** Ο εξοπλισμός αυτός προορίζεται για χρήση από άτομα που είναι εκπαιδευμένα στη σωστή χρήση και εφαρμογή του. Ο χρήστης οφείλει να βεβαιωθεί ότι τα άτομα αυτά είναι εξοικειωμένα με τις οδηγίες και σωστά εκπαιδευμένα για τη σωστή συντήρηση και χρήση του εξοπλισμού. Οι χρήστες πρέπει να είναι ενημερωμένοι για τα χαρακτηριστικά λειτουργίας, τα όρια εφαρμογής και τις συνέπειες της μη ενδεδειγμένης χρήσης.
- 1,4 ΠΕΡΙΟΡΙΣΜΟΙ:** Λαμβάνετε πάντα υπόψη τους παρακάτω περιορισμούς κατά την εγκατάσταση και τη χρήση αυτού του εξοπλισμού:

- **Δυναμικότητα:** Οι SRDs πρέπει να χρησιμοποιούνται από ένα άτομο με μικτό βάρος (ένδυση, εργαλεία κ.λπ.) σύμφωνα με τις απαιτήσεις του *Εύρους δυναμικότητας* που καθορίζονται στον Πίνακα 1. Σιγουρευτείτε ότι όλα τα εξαρτήματα του συστήματός σας έχουν αξιολογηθεί για δυνατότητες που είναι κατάλληλες για την εφαρμογή σας.
- **Αγκύρωση:** Η δομή αγκύρωσης για τη SRD πρέπει να μπορεί να υποστηρίξει φορτία έως 12 kN (2.697 λίβρες). Οι συσκευές αγκύρωσης πρέπει να είναι σύμφωνες με το πρότυπο EN795 ή άλλα ισχύοντα πρότυπα υποδοχής αγκύρωσης.
- **Ταχύτητα ασφάλισης:** Θα πρέπει να αποφεύγονται οι εργασίες που δεν περιλαμβάνουν ανοιχτό χώρο για ελεύθερη πτώση. Η εργασία σε περιορισμένους, στενούς χώρους ή επικλινή επιφάνεια δεν θα επιτρέψει στο σώμα να αναπτύξει την απαραίτητη ταχύτητα, ώστε να ασφαλίσει το σύστημα SRD αν προκύψει κάποια πτώση. Η εργασία σε υλικά που μετατοπίζονται αργά, όπως η άμμος ή κοκκώδη υλικά/χαλίκια, δεν θα επιτρέψει την ανάπτυξη αρκετής ταχύτητας για να ασφαλίσει το σύστημα SRD. Απαιτείται ανεμπόδιστη τροχιά για να εξασφαλιστεί θετική ασφάλιση της συσκευής SRD.
- **Ελεύθερη πτώση:** Όταν η αγκύρωση γίνει πάνω από το κεφάλι, οι συσκευές SRD θα περιορίσουν την απόσταση ελεύθερης πτώσης σε 0,6 μ. (2 πόδια)¹. Για την αποφυγή αυξημένων αποστάσεων πτώσης, αγκιστρώστε τη SRD ακριβώς πάνω από το επίπεδο εργασίας. Ποτέ μην συνδέετε την SRD σε σημείο αγκύρωσης που θα δημιουργήσει ελεύθερη πτώση μεγαλύτερη από 1,5 μ. (5 πόδια). Μην εργάζεστε σε περιοχή όπου το διασωστικό σκοινί σας ενδέχεται να διασταυρωθεί ή να μπλοκαριστεί με το διασωστικό σκοινί κάποιου άλλου εργαζόμενου. Μην εργάζεστε σε μέρος όπου υπάρχει πιθανότητα πτώσης αντικειμένου και πρόσκρουσης στο διασωστικό σκοινί· η οποία θα προκαλέσει την απώλεια της ισορροπίας ή την καταστροφή του σκοινιού. Το διασωστικό σκοινί δεν πρέπει να περνάει κάτω από τους βραχίονες ή ανάμεσα στα πόδια. Μην σφίγγετε, δένετε ή εμποδίζετε το διασωστικό σκοινί να συσταλεί ή να τεντωθεί. Μην ξεπερνάτε τα όρια χαλάρωσης. **Μην επεκτείνετε τις συσκευές SRD συνδέοντας κορδόνι ή παρόμοιο εξάρτημα χωρίς να συμβουλευθείτε τη 3M.**
- **Πτώσεις αιώρησης:** Πτώσεις αιώρησης ενδέχεται να προκύψουν όταν το σημείο αγκύρωσης δεν βρίσκεται ακριβώς από πάνω από το σημείο της πτώσης. Η δύναμη που αναπτύσσεται μετά από πρόσκρουση σε αντικείμενο κατά τη διάρκεια πτώσης αιώρησης ενδέχεται να προκαλέσει σοβαρό τραυματισμό (βλ. Εικόνα 3A). Για να μειώσετε την πιθανότητα πτώσης αιώρησης, προτιμούμε να εργάζεστε, όσο το δυνατόν γίνεται, ακριβώς κάτω από το σημείο αγκύρωσης (Εικόνα 3B). Η απομάκρυνση από το σημείο αγκύρωσης (Εικόνα 3Γ) θα αυξήσει την πρόσκρουση της πτώσης αιώρησης και θα αυξήσει το απαιτούμενο διάκενο πτώσης (FC).
- **Διάκενο πτώσης:** Η εικόνα 3B απεικονίζει τον υπολογισμό του Διάκενου πτώσης. Το Διάκενο πτώσης (FC) ισούται με την Ελεύθερη πτώση (FF), την Απόσταση Επιβράδυνσης (DD) και τον Συντελεστή Προστασίας (SF): $FC = FF + DD + SF$. Η ολισθήση D-Κρίκων και το τέντωμα Εξάρτησης περιλαμβάνονται στον Συντελεστή Προστασίας. Οι τιμές Διάκενου πτώσης έχουν υπολογιστεί και παρατίθενται στην Εικόνα 4. Ένας Συντελεστής Προστασίας 1 μ. (3,28 ποδιών) χρησιμοποιήθηκε για όλες τις τιμές στην Εικόνα 4.

Η εικόνα 4 απεικονίζει το Διάκενο πτώσης (FC) βάσει της οριζόντιας (H) και της κάθετης (V) απόστασης μεταξύ της ραχιαίας σύνδεσης SRD και του σημείου αγκύρωσης. Κάθε οριζόντια γραμμή στο διάγραμμα(ατα) αντιπροσωπεύει την κατακόρυφη απόσταση από το σημείο αγκύρωσης. Κάθε κάθετη γραμμή στο διάγραμμα(ατα) αντιπροσωπεύει την κατακόρυφη απόσταση από το σημείο αγκύρωσης. Η τιμή Διάκενου πτώσης (FC) καθορίζεται από τη ζώνη (παραβολικές γραμμές) στην οποία τέμνονται οι οριζόντιες (H) και κάθετες (V) γραμμές πλέγματος. Το παράδειγμα της Εικόνας 4 δείχνει τον τρόπο προσδιορισμού της απαιτούμενης τιμής διάκενου πτώσης (FC) για τις αναφερόμενες κατακόρυφες (V) και οριζόντιες (H) αποστάσεις.

Μεταβλητά σημεία αγκύρωσης: Τα διάκενα πτώσης στην Εικόνα 4 βασίζονται σε ένα άκαμπτο, σταθερό σημείο αγκύρωσης. Εάν η αγκύρωση γίνεται σε Οριζόντιο Διασωστικό Σκοινί (HLL) ή σημείο αγκύρωσης που μπορεί να κινηθεί, να ολισθήσει ή να παραμορφωθεί κατά τη διάρκεια μιας πτώσης, οι τιμές Διακένου πτώσης από την Εικόνα 4 δεν ισχύουν. Ανατρέξτε στις οδηγίες για το HLL ή το αγκύριο για πρόσθετες λεπτομέρειες σχετικά με τα απαιτούμενα διάκενα πτώσης, παραμόρφωση/εις.

Γονάτισμα ή σκύψιμο: Τα Διαγράμματα Διάκενου πτώσης στην Εικόνα 4 θεωρούν ως δεδομένο ότι ο εργαζόμενος είναι σε όρθια στάση. Εάν ο εργαζόμενος γονατίσει ή σκύψει, απαιτείται επιπλέον διάκενο πτώσης 0,9 μ. (3 πόδια).

Να μη γίνεται ποτέ αγκύρωση στα πόδια: Να μη γίνεται ποτέ αγκύρωση σε σημείο που βρίσκεται κάτω από τα πόδια σας.

- **Κίνδυνοι:** Η χρήση του εξοπλισμού αυτού σε περιοχές που ενέχουν κινδύνους ενδέχεται να απαιτεί επιπρόσθετες προφυλάξεις προκειμένου να μειωθεί η πιθανότητα τραυματισμού του χρήστη ή πρόκλησης ζημιάς στον εξοπλισμό. Στους κινδύνους μπορεί να περιλαμβάνονται, χωρίς όμως να περιορίζονται σε αυτούς: η υψηλή θερμότητα, τα καυστικά χημικά, τα διαβρωτικά περιβάλλοντα, τα ηλεκτροφόρα καλώδια υψηλής τάσης, τα εκρηκτικά ή τοξικά αέρια, τα κινούμενα μηχανήματα ή τα αντικείμενα που βρίσκονται πάνω από τον εργαζόμενο και ενδέχεται να πέσουν και να έρθουν σε επαφή με τον χρήστη ή με το σύστημα ανάσχεσης πτώσης. Μην εργάζεστε σε περιοχή όπου το διασωστικό σκοινί ενδέχεται να διασταυρωθεί ή να μπλοκαριστεί με το διασωστικό σκοινί κάποιου άλλου εργαζόμενου. Μην εργάζεστε σε μέρος όπου υπάρχει πιθανότητα πτώσης αντικειμένου και πρόσκρουσης στο διασωστικό σκοινί· η οποία θα προκαλέσει την απώλεια της ισορροπίας ή την καταστροφή του διασωστικού σκοινιού. Το διασωστικό σκοινί δεν πρέπει να περνάει κάτω από τους βραχίονες ή ανάμεσα στα πόδια.
- **Αιχμηρά Άκρα:** Τα αιχμηρά άκρα που το διασωστικό σκοινί μπορεί να ακουμπήσει στη διάρκεια μιας πτώσης πρέπει να έχουν μέγιστη ακτίνα 0,3 εκ. (0,125 ίντσες). Όταν δεν μπορείτε να αποφύγετε την επαφή καλύψτε το αιχμηρό άκρο με ένα προστατευτικό κάλυμμα.

2,0 ΧΡΗΣΗ ΣΥΣΤΗΜΑΤΟΣ

- 1 Ελεύθερη πτώση:** Η σωστή εφαρμογή της SRD, με τον χρήστη να εργάζεται ακριβώς κάτω από το σημείο αγκύρωσης και χωρίς σκοινί διάσωσης, θα εξαλείψει την ελεύθερη πτώση. Βλ. Εικόνα 4 για αποδεκτές θέσεις αγκύρωσης.

- 2,1 ΣΧΕΔΙΟ ΔΙΑΣΩΣΗΣ ΚΑΙ ΠΡΟΣΤΑΣΙΑΣ ΑΠΟ ΠΤΩΣΗΣ:** Ο εργοδότης θα πρέπει να διαθέτει ένα σχέδιο διάσωσης και προστασίας από πτώση. Το σχέδιο θα πρέπει να παρέχει κατευθυντήριες γραμμές και απαιτήσεις σχετικά με το πρόγραμμα προστασίας από πτώσεις που διαχειρίζεται ο εργοδότης, συμπεριλαμβανομένων πολιτικών, καθηκόντων και κατάρτισης, διαδικασιών προστασίας από πτώση, εξέλιξης και ελέγχου των κινδύνων από πτώση, διαδικασιών διάσωσης, έρευνας περιστατικών και αξιολόγησης της αποτελεσματικότητας του προγράμματος.
- 2,2 ΣΥΧΝΟΤΗΤΑ ΕΠΙΘΕΩΡΗΣΗΣ:** Οι SRD πρέπει να επιθεωρούνται από εξουσιοδοτημένο άτομο¹ ή διασωστή² πριν από κάθε χρήση (βλ. Πίνακα 3). Επιπλέον, ένα αρμόδιο άτομο πρέπει να διεξάγει επιθεωρήσεις³ εκτός από τον χρήστη. Οι ακραίες συνθήκες εργασίας (περιβάλλον με δυσκολίες, παρατεταμένη χρήση κ.λπ.) ενδέχεται να επιβάλλουν συχνότερες επιθεωρήσεις από τα αρμόδια άτομα. Το αρμόδιο άτομο θα κάνει χρήση του *Προγράμματος Επιθεώρησης (Πίνακας 2)* για τον καθορισμό των κατάλληλων διαστημάτων επιθεώρησης. Οι διαδικασίες επιθεώρησης περιγράφονται στο *Αρχείο Καταγραφής Επιθεώρησης και Συντήρησης (Πίνακας 3)*. Τα αποτελέσματα της επιθεώρησης που διεξάγει το αρμόδιο άτομο θα πρέπει να καταγράφονται στο *Αρχείο Καταγραφής Επιθεώρησης και Συντήρησης* ή να καταγράφονται με το σύστημα ραδιοσυχνικής αναγνώρισης (RFID) (βλ. *Ενότητα 5*).
- 2,3 ΚΑΝΟΝΙΚΗ ΛΕΙΤΟΥΡΓΙΑ:** Η κανονική λειτουργία θα επιτρέψει την έκταση και συστολή του διασωστικού σκοινιού χωρίς δυσκολία και μείωση της ταχύτητας ενώ ο εργάτης κινείται με φυσιολογικές ταχύτητες. Εάν προκύψει πτώση, θα ενεργοποιηθεί ένα σύστημα πέδησης, που θα σταματήσει την πτώση απορροφώντας ένα μεγάλο ποσοστό της ενέργειας που αναπτύχθηκε. Κατά την εκτέλεση κανονικής εργασίας θα πρέπει να αποφεύγονται οι ξαφνικές ή γρήγορες κινήσεις, καθώς ενδέχεται να προκαλέσουν το κλειδώμα της συσκευής SRD. Για πτώσεις που προκύπτουν κοντά στο τέλος της διαδρομής του διασωστικού σκοινιού, έχει ενσωματωθεί ένα Εφεδρικό διασωστικό σκοινί ή απορροφητής ενέργειας για να μειωθούν οι δυνάμεις της πτώσης.
- 2,4 ΥΠΟΣΤΗΡΙΞΗ ΣΩΜΑΤΟΣ:** Μια ολόσωμη εξάρτηση πρέπει να χρησιμοποιείται με την Αυτο-Ανασυρόμενη Συσκευή. Το σημείο σύνδεσης του μάντα πρόσδεσης πρέπει να βρίσκεται πάνω από το κέντρο βάρους του χρήστη. Η ζώνη σώματος δεν επιτρέπεται να χρησιμοποιηθεί μαζί με την Αυτο-Ανασυρόμενη Συσκευή. Εάν συμβεί πτώση κατά τη χρήση μιας ζώνης σώματος, μπορεί να προκληθεί ακούσια απελευθέρωση ή σωματικό τραύμα από ακατάλληλη στήριξη του σώματος.
- 2,5 ΣΥΜΒΑΤΟΤΗΤΑ ΤΩΝ ΕΞΑΡΤΗΜΑΤΩΝ:** Εκτός και αν σημειώνεται διαφορετικά, ο εξοπλισμός της 3Μ είναι σχεδιασμένος για χρήση μόνο με τα εγκεκριμένα εξαρτήματα και υποσυστήματα της 3Μ. Η αλλαγή και η αντικατάσταση με μη εγκεκριμένα εξαρτήματα ή υποσυστήματα μπορεί να θέσει σε κίνδυνο τη συμβατότητα του εξοπλισμού και να επηρεάσει την ασφάλεια και την αξιοπιστία ολόκληρου του συστήματος.
- 2,6 ΣΥΜΒΑΤΟΤΗΤΑ ΤΩΝ ΣΥΝΔΕΤΗΡΩΝ:** Οι σύνδεσμοι θεωρούνται ότι είναι συμβατοί με τα συνδετικά στοιχεία όταν έχουν σχεδιαστεί για να δουλεύουν μαζί με τέτοιο τρόπο, ώστε το μέγεθος και το σχήμα τους να μην ανοίγουν τον μηχανισμό πύλης τους ανεξάρτητα από τον προσανατολισμό τους. Επικοινωνήστε με την 3Μ, εάν έχετε ερωτήσεις σχετικά με τη συμβατότητα. Οι σύνδεσμοι (γάντζοι, караμπίνερ και D-κρίκοι) πρέπει να μπορούν να υποστηρίξουν τουλάχιστον 22,2 kN (5.000 λίβρες). Οι σύνδεσμοι πρέπει να είναι συμβατοί με την αγκύρωση ή με άλλα εξαρτήματα του συστήματος. Μην χρησιμοποιείτε ασύμβατο εξοπλισμό. Οι μη συμβατοί σύνδεσμοι μπορεί να απεμπλακούν ακούσια (δείτε το σχήμα 5). Οι σύνδεσμοι πρέπει να είναι συμβατοί σε μέγεθος, σχήμα και αντοχή. Απαιτούνται αυτο-ασφαλιζόμενοι γάντζοι ασφαλείας και караμπίνερ. Αν το συνδετικό στοιχείο, στο οποίο προσαρτάται ο γάντζος ασφαλείας ή το караμπίνερ, είναι μικρότερου μεγέθους ή έχει ακανόνιστο σχήμα, θα μπορούσε να προκύψει μια κατάσταση όπου το συνδετικό στοιχείο εφαρμόζει μια δύναμη στην πύλη του γάντζου ασφαλείας ή του караμπίνερ (Α). Αυτή η δύναμη μπορεί να προκαλέσει το άνοιγμα της πύλης (Β), επιτρέποντας την απεμπλοκή του γάντζου ασφαλείας ή του караμπίνερ από το συνδετικό στοιχείο (Γ).
- 2,7 ΔΗΜΙΟΥΡΓΙΑ ΣΥΝΔΕΣΕΩΝ:** Οι γάντζοι ασφαλείας και τα караμπίνερ που χρησιμοποιούνται με τον εξοπλισμό αυτό πρέπει να κλειδώνουν αυτόματα. Βεβαιωθείτε ότι όλοι οι σύνδεσμοι είναι συμβατοί σε μέγεθος, σχήμα και αντοχή. Μην χρησιμοποιείτε ασύμβατο εξοπλισμό. Εξασφαλίστε ότι όλοι οι σύνδεσμοι είναι πλήρως κλειστοί και κλειδωμένοι. Οι σύνδεσμοι της 3Μ (γάντζοι ασφαλείας και караμπίνερ) έχουν σχεδιαστεί για να χρησιμοποιούνται απολυτικά σύμφωνα με τις προδιαγραφές των οδηγιών χρήστη του κάθε προϊόντος. Δείτε την Εικόνα 6 για παραδείγματα ακατάλληλων συνδέσεων.
- Μην συνδέετε γάντζους αυτόματου κλειθρού και караμπίνερ:
- Με D-κρίκοι στον οποίο είναι συνδεδεμένος άλλος σύνδεσμος.
 - Με τρόπο που θα μπορούσε να έχει ως αποτέλεσμα την επιβολή φορτίου στην πύλη. Γάντζοι αυτόματου κλειθρού με μεγάλο λαιμό δεν πρέπει να συνδέονται με D-κρίκους κανονικού μεγέθους ή με παρόμοια αντικείμενα, επειδή αυτό προκαλεί φορτίο στην πύλη εάν ο γάντζος ή ο D-κρίκος στρίψει ή περιστραφεί, εκτός και αν ο γάντζος αυτόματου κλειθρού είναι εξοπλισμένος με πύλη 16 kN (3.600 λίβρες).
 - Σε περιπτώση λανθασμένης εμπλοκής, όπου το μέγεθος ή το σχήμα των αντίστοιχων συνδέσεων δεν είναι συμβατά και, χωρίς οπτική επιβεβαίωση, οι σύνδεσμοι φαίνεται να έχουν εμπλακεί πλήρως.
 - Μεταξύ τους.
 - Απευθείας σε ενισχυτική ταινία ή σχοινί ή σύστημα πρόσδεσης οριζόντιων φορτίων (εκτός αν οι οδηγίες του κατασκευαστή για το διασωστικό σκοινί και τον σύνδεσμο περιέχουν συγκεκριμένη πρόβλεψη για τέτοια σύνδεση).
 - Με οποιοδήποτε αντικείμενο που έχει τέτοιο σχήμα ή διαστάσεις ώστε να μην κλείνει και ασφαρίζει ο γάντζος ασφαλείας ή το караμπίνερ ή να υπάρχει πιθανότητα κύλισης εκτός της σύνδεσης.
 - Με τρόπο που να μην επιτρέπει τη σωστή ευθυγράμμιση του συνδέσμου όταν βρίσκεται υπό φορτίο.

Πίνακας 2 - Πρόγραμμα επιθεώρησης

Είδος χρήσης	Παραδείγματα εφαρμογής	Όροι χρήσης	Συχνότητα Επιθεώρησης
			Αρμόδιο Άτομο
Σπάνια έκθεση στο φως	Διάσωση και περιορισμένος χώρος, εργοστασιακή συντήρηση	Καλές συνθήκες αποθήκευσης, εσωτερική ή σποραδική εξωτερική χρήση, θερμοκρασία δωματίου, καθαρά περιβάλλοντα	Ετησίως
Μέτριο έως Βαρύ	Μεταφορές, Κατασκευή Κατοικιών, Βοηθητικά προγράμματα, Αποθήκη	Συνθήκες σωστής αποθήκευσης, εσωτερική και παρατεταμένη εξωτερική χρήση, όλες τις θερμοκρασίες, καθαρά περιβάλλοντα ή περιβάλλοντα με σκόνη	Ημι-Ετησίως έως Ετησίως
Σοβαρή έως συνεχής	Εμπορική Κατασκευή, Πετρέλαιο και φυσικό αέριο, μεταλλεία	Κακές συνθήκες αποθήκευσης, παρατεταμένη ή συνεχής χρήση σε εξωτερικούς χώρους, όλες οι θερμοκρασίες, βρώμικο περιβάλλον	Τριμηνιαία έως Ημι-ετήσια

1 Εξουσιοδοτημένο άτομο: Ένα άτομο που έχει οριστεί από τον εργοδότη να εκτελεί καθήκοντα σε μια θέση όπου το άτομο θα εκτεθεί σε κίνδυνο πτώσης.

2 Διασωστής: Άτομο ή άτομα διαφορετικά από το υποκείμενο της διάσωσης που πραγματοποιούν μια υποβοηθούμενη διάσωση με τη λειτουργία ενός συστήματος διάσωσης.

3 Αρμόδιο άτομο: Ένα άτομο που ορίζεται από τον εργοδότη ως υπεύθυνο για την άμεση επίβλεψη, εφαρμογή και παρακολούθηση του προγράμματος προστασίας από πτώσεις που διαχειρίζεται ο εργοδότης, το οποίο μέσω κατάρτισης και γνώσεων είναι ικανό να εντοπίζει, να αξιολογεί και να αντιμετωπίζει υφιστάμενους και πιθανούς κινδύνους πτώσης και το οποίο έχει την εξουσιοδότηση του εργοδότη να λαμβάνει άμεσα διορθωτικά μέτρα όσον αφορά τους κινδύνους αυτούς.

3.0 Εγκατάσταση

- 3.1 ΣΧΕΔΙΑΣΜΟΣ:** Προτού ξεκινήσετε την εργασία, σχεδιάστε το Σύστημα Προστασίας Πτώσης. Υπολογίστε όλους τους παράγοντες που μπορεί να επηρεάσουν την ασφάλειά σας πριν, κατά τη διάρκεια και μετά από πτώση. Λάβετε υπόψη όλες τις απαιτήσεις και τους περιορισμούς που καθορίζονται στην Ενότητα 2.

Στις περισσότερες εφαρμογές, η συσκευή SRD Nano-Lok μπορεί να συνδεθεί με την αγκύρωση ή με την εξάρτηση που βρίσκεται στη ράχη. Επιτρέπονται και οι δύο προσανατολισμοί· εκτός από αυτούς που αναφέρονται στη Ενότητα 4

- 3.2 ΑΓΚΥΡΩΣΗ:** Η εικόνα 7 απεικονίζει τυπικές συνδέσεις αγκύρωσης SRD. Επιλέξτε μια θέση αγκύρωσης με ελάχιστο κίνδυνο ελεύθερης πτώσης και πτώσης με ταλάντωση (δείτε Ενότητα 1). Επιλέξτε ένα σταθερό σημείο αγκύρωσης ικανό να αντέξει τα στατικά φορτία που ορίζονται στην Ενότητα 1. Όπου δεν είναι εφικτή η αγκύρωση πάνω από το κεφάλι, οι συσκευές SRD Nano-Lok μπορούν να στερεωθούν σε σημείο αγκύρωσης κάτω από το επίπεδο του Ραχιαίου D-Κρίκου του χρήστη. Για χρήστες βάρους έως και 140 κιλών (310 λίβρες), το σημείο αγκύρωσης δεν πρέπει να υπερβαίνει το 1,5 μέτρο (5 πόδια) κάτω από τον Ραχιαίο D-Κρίκο.

- 3.3 ΠΡΟΣΑΡΜΟΓΗ ΕΞΑΡΤΥΣΗΣ:** Ορισμένα μοντέλα SRD περιλαμβάνουν διεπαφή εξάρτησης μόνου SRD ή δίδυμου SRD για την τοποθέτηση της/των συσκευής(ών) SRD σε ολόσωμη εξάρτηση ακριβώς κάτω από τον Ραχιαίο D-Κρίκο:

Ορισμένες ολόσωμες εξαρτήσεις είναι εξοπλισμένες με ατομικό σύνδεσμο SRD (Σύνδεσμος PSRL) που ενσωματώνει τον Ραχιαίο D-Κρίκο με στοιχεία προσάρτησης για Αυτο-Ανασυρόμενες Συσκευές που προσαρμόζονται σε εξάρτηση (Εικόνα 8). Είναι επίσης αποδεκτό να συνδέσετε τη συσκευή SRD στον Ραχιαίο D-Κρίκο της εξάρτησης με καραμπίνερ ή αυτόματο κλειθρο.

- **Προσαρμογή εξάρτησης μονού SRD:** Όπου η κινητικότητα του εργαζομένου είναι σημαντική, μια διεπαφή εξάρτησης SRD μπορεί να χρησιμοποιηθεί για την προσάρτηση της συσκευής SRD στο πίσω μέρος μιας ολόσωμης εξάρτησης, ακριβώς κάτω από τον Ραχιαίο D-Κρίκο (βλ. εικόνα 9). Ο εργαζόμενος μπορεί στη συνέχεια να συνδεθεί σε ποικίλα σημεία αγκύρωσης που βρίσκονται σε ολόκληρη την τοποθεσία με το άκρο για το κορδόνι της συσκευής SRD, χωρίς να χρειάζεται επανειλημμένη επανεγκατάσταση της συσκευής SRD. Για την προσάρτηση της συσκευής SRD σε ολόσωμη εξάρτηση με τη διεπαφή εξάρτησης SRD:

1. **Χαλαρώστε την ενισχυτική ταινία εξάρτησης:** Τραβήξτε προς τα έξω τα λουριά ιστού (A) όπου περνούν μέσα από το κάτω μέρος του Ραχιαίου D-Κρίκου (B) έως ότου να υπάρχει αρκετός χώρος για να σύρετε τη διεπαφή εξάρτησης SRD μεταξύ των λουριών ιστού και του επιθέματος του D-Κρίκου.
2. **Ανοιξτε τη διεπαφή εξάρτησης:** Πατήστε ταυτόχρονα τα κουμπιά κλειδώματος (C) και σύρετε προς τα έξω τον πείρο ασφάλισης (D).
3. **Τοποθετήστε τη συσκευή SRD στη διεπαφή εξάρτησης:** Εισάγετε την ανοιχτή πύλη στη διεπαφή εξάρτησης μέσω του περιστρεφόμενου κρίκου στη συσκευή SRD (E). Περάστε τη διεπαφή μέσω των ματιών των στροφών έτσι ώστε η συσκευή SRD να κρέμεται από τον κορμό της διεπαφής εξάρτησης (F).
4. **Τοποθετήστε τη διεπαφή εξάρτησης γύρω από τα λουριά ιστού:** Τοποθετήστε την ανοιχτή πύλη της διεπαφής εξάρτησης γύρω από τα χαλαρά λουριά ιστού (A).
5. **Κλείστε τη διεπαφή εξάρτησης:** Σπρώξτε τον πείρο ασφάλισης της διεπαφής εξάρτησης (D) μέσα από τα χαλαρά λουριά ιστού (A) μέχρι να ασφαλίσει στη θέση του στο αντίθετο άκρο της διεπαφής εξάρτησης. Τραβήξτε τα λουριά ιστού προς τα πίσω μέσα από τον Ραχιαίο D-Κρίκο και το πίσω επίθεμα για να ασφαλίσετε τη διεπαφή εξάρτησης.

Η κόκκινη ταινία στο άκρο του κουμπιού του πείρου ασφάλισης της διεπαφής εξάρτησης θα φανεί αν απασφαλιστεί η διεπαφή εξάρτησης. Για να αποφύγετε τυχαία απελευθέρωση της σύνδεσης, να βεβαιώνετε πάντα ότι η διεπαφή εξάρτησης είναι κλειδωμένη πριν χρησιμοποιήσετε την εξάρτηση και την προσαρτημένη συσκευή SRD. Η μη τήρηση αυτής της οδηγίας μπορεί να προκαλέσει τραυματισμό ή θάνατο.

- **Προσαρμογή εξάρτησης δίδυμου SRD:** Σε εφαρμογές αναρρίχησης όπου απαιτείται 100% δέσμευση, η διεπαφή εξάρτησης SRD μπορεί να χρησιμοποιηθεί για την προσάρτηση δύο συσκευών SRD πλάι-πλάι στο πίσω μέρος μιας ολόσωμης εξάρτησης κάτω ακριβώς από τον Ραχιαίο D-Κρίκο (βλ. εικόνα 9). Για την προσάρτηση δύο συσκευών SRD σε μια ολόσωμη εξάρτηση με τη διεπαφή εξάρτησης SRD:

1. **Χαλαρώστε την ενισχυτική ταινία εξάρτησης:** Τραβήξτε προς τα έξω τα λουριά ιστού (A) όπου περνούν μέσα από το κάτω μέρος του Ραχιαίου D-Κρίκου (B) έως ότου να υπάρχει αρκετός χώρος για να σύρετε τη διεπαφή εξάρτησης SRD μεταξύ των λουριών ιστού και του επιθέματος του D-Κρίκου.
2. **Ανοιξτε τη διεπαφή εξάρτησης:** Πατήστε ταυτόχρονα τα κουμπιά κλειδώματος (C) και σύρετε προς τα έξω τον πείρο ασφάλισης (D).
3. **Τοποθετήστε τις συσκευές SRD στη διεπαφή εξάρτησης:** Εισάγετε την ανοιχτή πύλη στη διεπαφή εξάρτησης μέσω του περιστρεφόμενου κρίκου σε κάθε συσκευή SRD (E). Περάστε τη διεπαφή μέσω των ματιών των στροφών έτσι ώστε οι συσκευές SRD να κρέμονται από τον κορμό της διεπαφής εξάρτησης (F).
4. **Τοποθετήστε τη διεπαφή εξάρτησης γύρω από τα λουριά ιστού:** Τοποθετήστε την ανοιχτή πύλη της διεπαφής εξάρτησης γύρω από τα χαλαρά λουριά ιστού (A).
5. **Κλείστε τη διεπαφή εξάρτησης:** Σπρώξτε τον πείρο ασφάλισης της διεπαφής εξάρτησης (D) μέσα από τα χαλαρά λουριά ιστού (A) μέχρι να ασφαλίσει στη θέση του στο αντίθετο άκρο της διεπαφής εξάρτησης. Τραβήξτε τα λουριά ιστού προς τα πίσω μέσα από τον Ραχιαίο D-Κρίκο και το πίσω επίθεμα για να ασφαλίσετε τη διεπαφή εξάρτησης.

Η κόκκινη ταινία στο άκρο του κουμπιού του πείρου ασφάλισης της διεπαφής εξάρτησης θα φανεί αν απασφαλιστεί η διεπαφή εξάρτησης. Για να αποφύγετε τυχαία απελευθέρωση της σύνδεσης, να βεβαιώνετε πάντα ότι η διεπαφή εξάρτησης είναι κλειδωμένη πριν χρησιμοποιήσετε την εξάρτηση και την προσαρτημένη συσκευή SRD. Η μη τήρηση αυτής της οδηγίας μπορεί να προκαλέσει τραυματισμό ή θάνατο.

- Προσαρμογή εξάρτησης σταθερού D-Κρίκου διδύμου SRD:** Οι παλαιότερες ολόσωμες εξαρτήσεις ExoFit με σταθερό D-Κρίκο απαιτούν ειδική διεπαφή εξάρτησης SRD για την προσάρτηση δύο συσκευών SRD στο πίσω μέρος της εξάρτησης ακριβώς κάτω από τον Ραχιαίο D-Κρίκο. Για την προσάρτηση δύο συσκευών SRD σε μια ολόσωμη εξάρτηση ExoFit με διεπαφή εξάρτησης σταθερού D-Κρίκου SRD (Εικόνα 10):
 - Χαλαρώστε την ενισχυτική ταινία εξάρτησης:** Τραβήξτε προς τα έξω τα λουριά ιστού (A) όπου περνούν μέσα από το κάτω μέρος του Ραχιαίου D-Κρίκου (B) έως ότου να υπάρχει αρκετός χώρος για να εισάγετε τη διεπαφή εξάρτησης SRD μεταξύ των λουριών ιστού και του πίσω επιθέματος.
 - Ανοίξτε τη διεπαφή εξάρτησης:** Με τη διεπαφή εξάρτησης SRD προσανατολισμένη όπως φαίνεται στην εικόνα, σπρώξτε το κάλυμμα κλειδώματος (C) προς τα δεξιά και μετά γυρίστε δεξιόστροφα για να ξεκλειδώσετε την πύλη (D). Περιστρέψτε την πύλη (D) προς τα κάτω για να ανοίξει.
 - Περάστε την πρώτη συσκευή SRD πάνω στη διεπαφή εξάρτησης:** Εισάγετε τη μύτη του συνδετήρα (E) μέσα από το μάτι του στροφέα (F) στη συσκευή SRD και έπειτα περιστρέψτε τη συσκευή SRD γύρω από το άκρο της πύλης του συνδετήρα (G). Η πύλη μπορεί να κλείσει ώστε να αφήσει διάκενο για το μάτι του στροφέα μεταξύ της πύλης και της ράχης του συνδετήρα.
 - Τοποθετήστε τη διεπαφή εξάρτησης γύρω από τα λουριά ιστού:** Εισάγετε τη μύτη του συνδετήρα (E) πίσω από τα λουριά ιστού (A). Περιστρέψτε τον συνδετήρα πίσω από τα λουριά ιστού έως ότου ο συνδετήρας να περιβάλλει τα λουριά ιστού.
 - Προσθέστε τη δεύτερη συσκευή SRD στη διεπαφή εξάρτησης:** Σύρετε το μάτι του στροφέα της συσκευής SRD (F) πάνω από τη μύτη του συνδετήρα (E) και τοποθετήστε το μάτι του στροφέα SRD στην άκρη της μύτης του συνδετήρα.
 - Κλείστε τη διεπαφή εξάρτησης:** Αφήστε την πύλη (D) να στραφεί για να κλείσει και το κάλυμμα κλειδώματος (C) να περιστραφεί για να γυρίσει στην κλειδωμένη θέση. Μόλις κλείσετε τη διεπαφή εξάρτησης, τραβήξτε ξανά τα λουριά ιστού (A) μέσα από τον Ραχιαίο D-Κρίκο για να αποφύγετε τη χαλάρωση στην ενισχυτική ταινία και ασφαλίστε τη διεπαφή εξάρτησης μεταξύ των λουριών ιστού και του πίσω επιθέματος.
- 3M® DBI-SALA® Δίδυμο καραμπίνερ:** Το δίδυμο καραμπίνερ 3M® DBI-SALA® έχει σχεδιαστεί για την προσάρτηση δύο συσκευών SRD Nano-Lok πλάι-πλάι στο πίσω μέρος μιας ολόσωμης εξάρτησης ακριβώς κάτω από τον Ραχιαίο D-Κρίκο (βλ. Εικόνα 12). Για την προσάρτηση δύο συσκευών SRD Nano-Lok σε ολόσωμη εξάρτηση με το δίδυμο καραμπίνερ:
 - Χαλαρώστε την ενισχυτική ταινία εξάρτησης:** Τραβήξτε προς τα έξω τα λουριά ιστού (A) όπου περνούν μέσα από το κάτω μέρος του Ραχιαίου D-Κρίκου (B) έως ότου να υπάρχει αρκετός χώρος για να σύρετε τη διεπαφή δίδυμου σκέλους μεταξύ των λουριών ιστού και του επιθέματος του D-Κρίκου.
 - Ανοίξτε το δίδυμο καραμπίνερ:** Πιέστε προς τα επάνω το παρέμβλημα του συνδετήρα (C) για να ξεκουμπώσετε τους σφιγκτήρες (D) από τον συνδετήρα και έπειτα περιστρέψτε το παρέμβλημα του συνδετήρα προς τα επάνω για να ξεκλειδώσετε την πύλη. Σπρώξτε την πύλη (E) προς τα μέσα για να ανοίξετε τον συνδετήρα.
 - Περάστε την πρώτη συσκευή SRD Nano-Lok πάνω στο δίδυμο καραμπίνερ:** Εισάγετε τη μύτη του συνδετήρα (F) μέσα από τον περιστρεφόμενο κρίκο (G) στο SRL και έπειτα περιστρέψτε το SRL γύρω από το άκρο της πύλης του συνδετήρα (H). Η πύλη μπορεί να περιστραφεί προς τη μύτη ώστε να αφήσει διάκενο για το μάτι του στροφέα μεταξύ της πύλης και της ράχης του συνδετήρα.
 - Τοποθετήστε το δίδυμο καραμπίνερ γύρω από τα λουριά ιστού:** Με την πύλη στραμμένη προς τα επάνω, εισάγετε τη μύτη του συνδετήρα (F) πίσω από τα λουριά ιστού (A). Περιστρέψτε τον συνδετήρα πίσω από τα λουριά ιστού έως ότου ο συνδετήρας να περιβάλλει τα λουριά ιστού.
 - Προσθέστε τη δεύτερη συσκευή SRD Nano-Lok στο δίδυμο καραμπίνερ:** Σύρετε το μάτι του στροφέα του SRL (G) πάνω από τη μύτη του συνδετήρα (F) και τοποθετήστε το μάτι του στροφέα του SRL στην άκρη της μύτης του συνδετήρα (F). Περιστρέψτε την πύλη (E) για να κλείσει.
 - Κλείστε το δίδυμο καραμπίνερ:** Περιστρέψτε το παρέμβλημα του συνδετήρα (C) προς τα εμπρός έτσι ώστε οι σφιγκτήρες (D) να ασφαλίσουν στον συνδετήρα. Όταν έχει κλείσει σωστά, τα λουριά ιστού θα πρέπει να περνούν μέσα από τη σχισμή της ενισχυτικής ταινίας (J) στο επάνω μέρος του παρεμβλήματος του συνδετήρα και τα μάτια των στροφέων SRL θα πρέπει να είναι ασφαλισμένα στις εσοχές (K) εκατέρωθεν του παρεμβλήματος του συνδετήρα. Μόλις κλείσετε τη διεπαφή εξάρτησης, τραβήξτε ξανά τα λουριά ιστού (A) μέσα από τον Ραχιαίο D-Κρίκο και το επίθεμα του D-Κρίκου για να εξουδετερώσετε τη χαλάρωση στην ενισχυτική ταινία και ασφαλίστε τον συνδετήρα μεταξύ των λουριών ιστού και του επιθέματος του D-Κρίκου.
- 3M® DBI-SALA® Δίδυμο καραμπίνερ με πείρο:** Αυτό το προσαρτώσιμο στοιχείο της εξάρτησης μπορεί να χρησιμοποιηθεί για την προσάρτηση ενός SRL Nano-Lok ή δύο SRL Nano-Lok σε εφαρμογές αναρρίχησης (βλ. Εικόνα 11) όπου απαιτείται 100% δέσμευση:
 - Χαλαρώστε την ενισχυτική ταινία εξάρτησης:** Τραβήξτε προς τα έξω τα λουριά ιστού (A) όπου περνούν μέσα από το κάτω μέρος του Ραχιαίου D-Κρίκου (B) έως ότου να υπάρχει αρκετός χώρος για να σύρετε τη διεπαφή δίδυμου σκέλους μεταξύ των λουριών ιστού και του επιθέματος του D-Κρίκου.
 - Για μονή διαμόρφωση:** Τοποθετήστε το μάτι του στροφέα ενός μονού SRL στον κεντρικό ανοιχτό χώρο.
 - Για δίδυμη διαμόρφωση:** Τοποθετήστε το μάτι του στροφέα ενός SRL στον ανοιχτό χώρο που βρίσκεται πλησιέστερα στο πείρο και ένα SRL στον ανοιχτό χώρο που βρίσκεται μακρύτερα από το πείρο.
 - Σύρετε το πείρο στη θέση του μέχρι να ακούσετε ένα «κλικ». Ο πείρος πρέπει να κλειδώσει καλά στη θέση του.
 - Πατήστε ταυτόχρονα τα δύο κουμπιά στην πλευρά της εξάρτησης του συνδετήρα ενώ σύρετε το πείρο για να τον βγάλετε. Η ολίσθηση αυτού του πείρου προς τα έξω δημιουργεί έναν ανοιχτό χώρο.
 - Τραβήξτε λίγο την ενισχυτική ταινία για να χαλαρώσει ακριβώς κάτω από τον Ραχιαίο D-Κρίκο στην εξάρτησή σας. Τοποθετήστε τη πλευρά της εξάρτησης του συνδετήρα κάτω από τον Ραχιαίο D-Κρίκο.
 - Σύρετε τον πείρο στη θέση του, διασφαλίζοντας ότι ο πείρος παραμένει κάτω και από τα δύο στρώματα της ενισχυτικής ταινίας εξάρτησης μέχρι να ακούσετε ένα «κλικ». Ο πείρος πρέπει να κλειδώσει καλά στη θέση του.

4.0 ΛΕΙΤΟΥΡΓΙΑ

Χρήστες που χρησιμοποιούν Αυτο-Ανασυρόμενες Συσκευές (SRD) για πρώτη φορά ή που δεν τις χρησιμοποιούν συχνά, θα πρέπει να εξετάσουν τις «Πληροφορίες προστασίας» στην εισαγωγή του παρόντος εγχειριδίου πριν χρησιμοποιήσουν τη συσκευή SRD.

- 4.1 ΠΡΙΝ ΑΠΟ ΚΑΘΕ ΧΡΗΣΗ:** Πριν από κάθε χρήση βεβαιωθείτε ότι ο εξοπλισμός προστασίας πτώσης έχει ελεγχθεί σωστά και ότι βρίσκεται σε καλή κατάσταση λειτουργίας. Ελέγξτε για φθαρμένα ή κατεστραμμένα μέρη. Βεβαιωθείτε ότι υπάρχουν όλα τα μπουλόνια και ότι είναι ασφαλισμένα. Βεβαιωθείτε ότι ο ιμάντας είναι μαζεμένος σωστά τραβώντας προς τα έξω το σκοινί και αφήνοντάς το να τυλιχτεί αργά. Εάν υπάρχει πρόβλημα κατά το τύλιγμα του ιμάντα, η μονάδα θα πρέπει να τεθεί εκτός λειτουργίας και να καταστραφεί. Ελέγξτε τον ιμάντα για κοψίματα, φθορές, καψίματα, θραύση και διάβρωση. Ελέγξτε την ασφάλιση τραβώντας απότομα το σκοινί. Ανατρέξτε στο Αρχείο Καταγραφής Επιθεώρησης και Συντήρησης (Πίνακας 3) για λεπτομέρειες σχετικά με την επιθεώρηση. Μην το χρησιμοποιείτε αν κατά την επιθεώρηση ανακαλύψετε επισφαλείς συνθήκες.
- 4.2 ΜΕΤΑ ΑΠΟ ΠΤΩΣΗ:** Κάθε εξοπλισμός που έχει εκτεθεί σε δυνάμεις που προκαλούνται από την ανάσχεση πτώσης ή έχει υποστεί ζημιά από την επίδραση των δυνάμεων αυτών, όπως περιγράφεται στον Πίνακα 3, πρέπει να τεθεί εκτός λειτουργίας και να καταστραφεί.
- 4.3 ΥΠΟΣΤΗΡΙΞΗ ΣΩΜΑΤΟΣ:** Θα πρέπει να φοράτε ολόσωμη εξάρτηση όταν χρησιμοποιείτε συσκευές SRD. Για γενική χρήση στη προστασία πτώσης, συνδεθείτε στο (ραχιαίο) D-Κρίκο.
- 4.4 ΔΗΜΙΟΥΡΓΙΑ ΣΥΝΔΕΣΕΩΝ:** Η εικόνα 5 απεικονίζει συνδέσεις εξάρτησης και αγκύρωσης για τα Συστήματα Ανάσχεσης Πτώσης SRD. Όταν χρησιμοποιείτε γάντζο για δημιουργία σύνδεσης, βεβαιωθείτε ότι δεν είναι δυνατό το ξετύλιγμα (βλ. Εικόνα 5). Μην χρησιμοποιείτε γάντζους και συνδέσμους που δεν κλείνουν πλήρως πάνω στο αντικείμενο προσαρτήσης. Μην χρησιμοποιείτε γάντζους αυτόματου κλειθρού που δεν ασφαλίζουν. Η αγκύρωση πρέπει να ανταποκρίνεται στην απαιτούμενη αντοχή αγκύρωσης που αναφέρεται στον Πίνακα 2. Ακολουθείτε τις οδηγίες του κατασκευαστή που παρέχονται με κάθε εξάρτημα του συστήματος.
- 4.5 ΛΕΙΤΟΥΡΓΙΑ:** Επιθεωρήστε τη συσκευή SRD πριν από τη χρήση, όπως περιγράφεται στον Πίνακα 3. Η εικόνα 14 απεικονίζει συνδέσεις συστήματος για τυπικές εφαρμογές SRD. Συνδέστε τη συσκευή SRD σε κατάλληλη αγκύρωση ή προσαρτήστε τη συσκευή SRD στο πίσω μέρος της ολόσωμης εξάρτησης σύμφωνα με τις οδηγίες στην Ενότητα 3. Στις συσκευές SRD που είναι συνδεδεμένες σε αγκύρωση, συνδέστε τον γάντζο (D) ή το καραμπίνερ στην ένδειξη φόρτωσης στον Ραχιαίο D-Κρίκο (A) πάνω στην ολόσωμη εξάρτηση. Στις συσκευές SRD που είναι προσαρτημένες σε εξάρτηση, συνδέστε τον γάντζο (D) ή το καραμπίνερ σε κατάλληλο σημείο αγκύρωσης. Ζηγουρευτείτε ότι οι σύνδεσμοι είναι συμβατοί σε μέγεθος, σχήμα και αντοχή. Εξασφαλίστε ότι οι γάντζοι είναι πλήρως κλειστοί και κλειδωμένοι. Μόλις επιτευχθεί η σύνδεση, ο εργαζόμενος μπορεί να μετακινηθεί με κανονικές ταχύτητες μέσα στη συνιστώμενη περιοχή. Σε περίπτωση πτώσης, η συσκευή SRD θα κλειδώσει και θα συγκρατήσει την πτώση. Μην χρησιμοποιείτε τη συσκευή SRD μετά από διάσωση. Όταν εργάζεστε με συσκευή SRD, να αφήνετε πάντα το διασωστικό σκοινί να μαζεύεται πίσω μέσα στη συσκευή υπό έλεγχο.
- 4.6 ΔΙΑΣΥΝΔΕΣΗ TWIN SRD ΔΕΣΜΕΥΣΗΣ 100%:** Όταν δύο συσκευές SRD είναι προσαρτημένες πλάι-πλάι στο πίσω μέρος μιας ολόσωμης εξάρτησης, το Σύστημα Ανάσχεσης Πτώσης SRD μπορεί να χρησιμοποιηθεί για συνεχή προστασία πτώσης (100% δέσμευση) ενώ ανυψώνεται, κατεβαίνει ή κινείται πλευρικά (βλ. Εικόνα 15). Με το σκέλος κορδονιού της μίας συσκευής SRD συνδεδεμένο σε σημείο αγκύρωσης, ο εργαζόμενος μπορεί να μετακινηθεί σε νέα θέση, να συνδέσει το αχρησιμοποίητο σκέλος κορδονιού της άλλης συσκευής SRD σε άλλο σημείο αγκύρωσης και έπειτα να αποσυνδεθεί από το αρχικό σημείο αγκύρωσης. Η διαδικασία επαναλαμβάνεται μέχρι ο χρήστης να φτάσει στην επιθυμητή θέση. Σε ζητήματα σχετικά με εφαρμογές 100% δέσμευσης δίδυμου SRD περιλαμβάνονται τα ακόλουθα:
- Ποτέ μη συνδέετε και τα δύο κορδόνια SRD στο ίδιο σημείο αγκύρωσης (βλ. Εικόνα 16A).
 - Η σύνδεση περισσότερων του ενός συνδετήρων σε μονή αγκύρωση (δακτύλιος ή κρίκος) μπορεί να θέσει σε κίνδυνο τη συμβατότητα της σύνδεσης λόγω της αλληλεπίδρασης μεταξύ των συνδετήρων και γι' αυτό δεν συνιστάται.
 - Η σύνδεση κάθε κορδονιού SRD σε ξεχωριστό σημείο αγκύρωσης είναι αποδεκτή (Εικόνα 16B).
 - Κάθε θέση σύνδεσης πρέπει να υποστηρίζει ανεξάρτητα 10 kN (2.248 λίβρες) ή να είναι ένα σχεδιασμένο σύστημα, όπως με ένα Οριζόντιο Διασωστικό Σκοινί.
 - Ποτέ μη συνδέετε περισσότερα από ένα άτομα ταυτόχρονα στο σύστημα δίδυμου SRD (Εικόνα 16C).
 - Μην αφήνετε τα κορδόνια να μπερδεύονται ή στριφτούν μεταξύ τους, καθώς αυτό μπορεί να εμποδίσει την ανύψωσή τους.
 - Μην περνάτε τα κορδόνια κάτω από τους βραχίονες ή ανάμεσα στα πόδια κατά τη διάρκεια της χρήσης.
- 4.7 ΠΡΟΣΑΡΜΟΓΗ ΡΑΧΙΑΙΟΥ D-ΚΡΙΚΟΥ ΔΙΔΥΜΟΥ SRD:** Μοντέλα με το καραμπίνερ τριπλής δράσης μπορούν να προσαρτηθούν στον Ραχιαίο D-Κρίκο σε δίδυμη διαμόρφωση. Για την προσαρτήση δύο συσκευών SRD στον Ραχιαίο D-Κρίκο μιας εξάρτησης (Εικόνα 13):
- 1. Ανοίξτε το καραμπίνερ τριπλής δράσης:** Με το καραμπίνερ τριπλής δράσης προσανατολισμένο όπως φαίνεται στην εικόνα, σπρώξτε το κάλυμμα κλειδώματος (C) προς τα δεξιά και έπειτα γυρίστε δεξιόστροφα για να ξεκλειδώσετε την πύλη (D). Περιστρέψτε την πύλη (D) προς τα κάτω για να ανοίξει.
 - 2. Περάστε την πρώτη συσκευή SRD πάνω στο καραμπίνερ τριπλής δράσης:** Εισάγετε τη μύτη του συνδετήρα (E) μέσα από το μάτι του στροφέα (F) στη συσκευή SRD και έπειτα περιστρέψτε τη συσκευή SRD γύρω από το άκρο της πύλης του συνδετήρα (G). Η πύλη μπορεί να κλείσει ώστε να αφήσει διάκενο για το μάτι του στροφέα μεταξύ της πύλης και της ράχης του συνδετήρα.
 - 3. Προσθέστε τη δεύτερη συσκευή SRD στο καραμπίνερ τριπλής δράσης:** Σύρετε το μάτι του στροφέα της συσκευής SRD (F) πάνω από τη μύτη του συνδετήρα (E).
 - 4. Περάστε το καραμπίνερ τριπλής δράσης μέσα από τον D-Κρίκο:** Εισάγετε τη μύτη του συνδετήρα (E) μέσα από τον Ραχιαίο D-Κρίκο (A). Περιστρέψτε τον συνδετήρα μέσα από τον D-Κρίκο έως ότου να μπορεί να κλείσει η πύλη.
 - 5. Κλείστε το καραμπίνερ τριπλής δράσης:** Αφήστε την πύλη (D) να στραφεί για να κλείσει και το κάλυμμα κλειδώματος (C) να περιστραφεί για να γυρίσει στην κλειδωμένη θέση.
- 4.8 ΟΡΙΖΟΝΤΙΑ ΣΥΣΤΗΜΑΤΑ:** Σε εφαρμογές όπου η συσκευή SRD χρησιμοποιείται σε συνδυασμό με οριζόντιο σύστημα (πχ οριζόντιο διασωστικό σκοινί, οριζόντιο φορείο I-Beams), η συσκευή SRD και τα εξαρτήματα του οριζοντίου συστήματος πρέπει να είναι συμβατά. Τα οριζόντια συστήματα πρέπει να σχεδιάζονται και να τοποθετούνται υπό την εποπτεία ενός έμπειρου μηχανικού. Για λεπτομέρειες συμβουλευτείτε τις οδηγίες του κατασκευαστή για τον εξοπλισμό οριζοντίου συστήματος.

Οι τιμές διάκενου πτώσης στην εικόνα 4 βασίζονται στην αγκύρωση σε ένα άκαμπτο, σταθερό σημείο αγκύρωσης και δεν ισχύουν για αγκύρωση σε σύστημα Οριζόντιου Διασωστικού Σκοινού (HLL). Συμβουλευτείτε το Εγχειρίδιο Οδηγιών HLL και τον τεχνικό εγκατάστασης του συστήματος HLL για να καθορίσετε τα απαιτούμενα διάκενα πτώσης.

5.0 Επιθεώρηση

5.1 ΠΙΝΑΚΙΔΑ RFID: Η Αυτο-Ανασυρόμενη Συσκευή διαθέτει πινακίδα ραδιοσυχνικής αναγνώρισης (Πινακίδα RFID) (βλ. Εικόνα 17). Η πινακίδα RFID μπορεί να χρησιμοποιηθεί σε συνδυασμό με μια φορητή συσκευή ανάγνωσης χειρός και διαδικτυακή πύλη για την απλοποίηση της επιθεώρησης και του ελέγχου αποθέματος και την παροχή υλικού αρχείου για τον εξοπλισμό προστασίας πτώσης. Για λεπτομέρειες, επικοινωνήστε με κάποιον εκπρόσωπο του Τμήματος Εξυπηρέτησης Πελατών της 3M (βλ. οπισθόφυλλο). Να ακολουθείτε τις οδηγίες που παρέχονται με τη συσκευή ανάγνωσης χειρός ή τη διαδικτυακή πύλη, σχετικά με τη μεταφορά των δεδομένων σας στο διαδικτυακό αρχείο καταγραφής.

5.2 ΣΥΧΝΟΤΗΤΑ ΕΠΙΘΕΩΡΗΣΗΣ: Η Αυτο-Ανασυρόμενη Συσκευή πρέπει να επιθεωρείται στα διαστήματα που ορίζονται στην Ενότητα 2.. Οι διαδικασίες επιθεώρησης περιγράφονται στο «*Αρχείο Καταγραφής Επιθεώρησης και Συντήρησης*» (Πίνακας 3).

Ακραίες συνθήκες εργασίας (περιβάλλον με δυσκολίες, παρατεταμένη χρήση κλπ.) ενδέχεται να επιβάλλουν συχνότερες επιθεωρήσεις (βλ. Πίνακα 2).

5.2 ΕΠΙΣΦΑΛΕΙΣ Η ΕΛΑΤΤΩΜΑΤΙΚΕΣ ΣΥΝΘΗΚΕΣ: Εάν η επιθεώρηση αποκαλύψει επισφαλείς ή ελαττωματικές συνθήκες, διακόψτε αμέσως τη χρήση της συσκευής SRD και απορρίψτε την (βλ. Ενότητα 6).

Μόνο η 3M ή γραπτός εξουσιοδοτημένοι αντιπρόσωποι της μπορούν να κάνουν επισκευές σε αυτόν τον εξοπλισμό.

5.3 ΖΩΗ ΠΡΟΪΟΝΤΟΣ: Η λειτουργική ζωή των Αυτο-Ανασυρόμενων Συσκευών της 3M εξαρτάται από τις εργασιακές συνθήκες και τη συντήρηση. Εφόσον το προϊόν πληροί τα κριτήρια επιθεώρησης, μπορεί να παραμείνει σε λειτουργία (με μέγιστη ζωή προϊόντος). Η μέγιστη ζωή προϊόντος της συσκευής SRD με υφασμάτινα web διασσωστικά σκοινιά δεν υπερβαίνει τα 10 χρόνια από την ημερομηνία κατασκευής.

6.0 ΣΥΝΤΗΡΗΣΗ, ΕΠΙΣΚΕΥΗ και ΑΠΟΘΗΚΕΥΣΗ

6.1 ΚΑΘΑΡΙΣΜΟΣ: Οι διαδικασίες καθαρισμού για τη συσκευή SRD είναι οι εξής:

- Καθαρίζετε περιοδικά το εξωτερικό της συσκευής SRD με νερό και ένα ήπιο διάλυμα σαπουνιού. Τοποθετήστε τη συσκευή SRD έτσι ώστε το επιπλέον νερό να αποστραγγίζεται. Καθαρίστε τις ετικέτες όπως ενδείκνυται.
- Καθαρίζετε το web διασσωστικό σκοινί με νερό και ήπιο διάλυμα σαπουνιού. Ξεπλύνετε και στεγνώστε πλήρως με αέρα. Μην χρησιμοποιείτε θερμότητα για το στέγνωμα. Ο ιμάντας πρέπει να είναι στεγνός πριν επιτραπεί η ανάσωση του στο περίβλημα. Η υπερβολική συσσώρευση ρύπων, χρωμάτων, κλπ. μπορεί να παρεμποδίσει τη πλήρη ανάσωση του ιμάντα στο περίβλημα, προκαλώντας ενδεχόμενο κίνδυνο ελεύθερης πτώσης.

6.2 ΣΕΡΒΙΣ: Οι συσκευές SRD δεν επισκευάζονται. Αν η συσκευή SRD έχει υποβληθεί σε δύναμη πτώσης ή αν η επιθεώρηση αποκαλύψει επισφαλείς ή ελαττωματικές συνθήκες, διακόψτε τη χρήση της συσκευής SRD και απορρίψτε την (βλ. «Απόρριψη»).

6.3 ΑΠΟΘΗΚΕΥΣΗ/ΜΕΤΑΦΟΡΑ: Αποθηκεύετε και μεταφέρετε τις συσκευές SRD σε δροσερό, ξηρό και καθαρό περιβάλλον μακριά από το άμεσο ηλιακό φως. Να αποφεύγετε χώρους όπου ενδέχεται να υπάρχουν ατμοί από χημικές ουσίες. Επιθεωρήστε σχολαστικά τη συσκευή SRD μετά από κάθε περίοδο παρατεταμένης αποθήκευσης.

6.4 ΑΠΟΡΡΙΨΗ: Απορρίψτε τη συσκευή SRD εάν έχει υποβληθεί σε δυνάμεις ανάσωσης πτώσης ή εάν η επιθεώρηση αποκαλύψει επισφαλείς ή ελαττωματικές συνθήκες. Πριν από την απόρριψη της συσκευής SRD, κόψτε στη μέση το διασσωστικό σκοινί ή απενεργοποιήστε τη συσκευή SRD με άλλον τρόπο για να αποφύγετε την πιθανότητα ακούσιας επαναχρησιμοποίησης.

7.0 ΕΤΙΚΕΤΕΣ

Η εικόνα 22 απεικονίζει τις ετικέτες στις Αυτο-Ανασυρόμενες Συσκευές και τις θέσεις τους. Πρέπει να υπάρχουν όλες οι ετικέτες στη συσκευή SRD. Οι ετικέτες πρέπει να αντικαθίστανται αν δεν είναι πλήρως ευανάγνωστες. Τα εικονογράμματα στις ετικέτες ορίζονται ως εξής:

1	Επιθεωρήστε τον γάντζο αυτόματου κλειθρού και τον Δείκτη Πρόσκρουσης
2	Επιθεωρήστε τη δράση κλειδώματος του SRL
3	Σωστός τρόπος σύνδεσης του SRL στην εξάρτηση
4	Δεν έχει πιστοποιηθεί για αιχμηρά άκρα. Μπορεί να συνδεθεί σε σημείο αγκύρωσης πάνω από, κάτω ή στο ίδιο επίπεδο με τον Ραχιαίο D-Κρίκο (140 κιλά το μέγιστο).
5	Εύρος χρήσης θερμοκρασίας -40°C - +60°C
6	Μέγιστη δυναμικότητα 140 κιλά
7	Πάντα να αφήνετε το διασσωστικό σκοινί να μαζεύεται πίσω μέσα στο SRL υπό έλεγχο
8	Μην επισκευάζετε
9	Αποθηκεύετε σε δροσερό, ξηρό και καθαρό περιβάλλον μακριά από το άμεσο ηλιακό φως.
10	Μη φορτώνετε πάνω από άκρη
11	Μην αφαιρείτε την ετικέτα

Πίνακας 3 – Αρχείο Καταγραφής Επιθεώρησης και Συντήρησης

Σειριακός(οι) αριθμός(οι):		Ημερομηνία αγοράς:	
Αριθμός μοντέλου:		Ημερομηνία πρώτης χρήσης:	
Ημερομηνία επιθεώρησης:		Ελέγχθηκε από:	
Εξάρτημα:	Επιθεώρηση: (Δείτε την Ενότητα 2 για τη Συχνότητα Επιθεώρησης)	Εγκρίθηκε	Απορρίφθηκε
SRD (Εικόνα 18)	Ελέγξτε για ανοιχτούς συνδετήρες και πλαίσια ή κατεστραμμένα μέρη.	<input type="checkbox"/>	<input type="checkbox"/>
	Ελέγξτε το περίβλημα (A) για παραμορφώσεις, ραγίσματα ή άλλη ζημιά.	<input type="checkbox"/>	<input type="checkbox"/>
	Επιθεωρήστε τον στροφέα (B) και τον περιστρεφόμενο κρίκο (C) ή τον ενσωματωμένο συνδετήρα (D) για παραμορφώσεις, ραγίσματα ή άλλη ζημιά. Ο στροφέας πρέπει να συνδεθεί σωστά στο SRL, αλλά πρέπει να περιστρέφεται ελεύθερα. Ο οφθαλμός του περιστρεφόμενου κρίκου ή ο ενσωματωμένος συνδετήρας πρέπει να περιστρέφεται ελεύθερα στον στροφέα.	<input type="checkbox"/>	<input type="checkbox"/>
	Το web διασωστικό σκοινί (E) πρέπει να ξετυλιγεται και να ανασύρεται πλήρως χωρίς προβλήματα και χωρίς να δημιουργείται χαλάρωση.	<input type="checkbox"/>	<input type="checkbox"/>
	Βεβαιωθείτε ότι η συσκευή SRD ασφαλίζει όταν τραβήξετε απότομα το διασωστικό σκοινί. Η ασφάλιση πρέπει να γίνεται σωστά και αμέσως.	<input type="checkbox"/>	<input type="checkbox"/>
	Όλες οι επικέτες πρέπει να είναι εμφανείς και ευανάγνωστες (βλ. εικόνα 20).	<input type="checkbox"/>	<input type="checkbox"/>
	Επιθεωρήστε ολόκληρη τη συσκευή SRD για σημάδια διάβρωσης.	<input type="checkbox"/>	<input type="checkbox"/>
Συνδετήρες απολήξεων (Εικόνα 19)	Ο Πίνακας 2 απεικονίζει τους συνδετήρες απολήξεων που θα πρέπει να περιλαμβάνονται στο μοντέλο SRD Nano-Lok. Επιθεωρήστε όλους τους γάντζους αυτόματου κλείθρου, τα караμπίνερ, τους γάντζους ενισχυτικής ράβδου, τις διεπαφές κλπ. για σημάδια ζημιάς, διάβρωσης και καλή κατάσταση λειτουργίας. Σε σημεία που εμφανίζονται: Οι πύλες πρέπει να ανοίγουν, να κλείνουν, να κλειδώνουν και να ξεκλειδώνουν σωστά, ενώ τα κουμπιά κλειδώματος και οι πείροι ασφάλισης πρέπει να λειτουργούν σωστά.	<input type="checkbox"/>	<input type="checkbox"/>
Web διασωστικό σκοινί (Εικόνα 20)	Επιθεωρήστε τους ιμάντες. Το υλικό δεν θα πρέπει να έχει κοπή (A), να έχει ξεφτίσει (B), ή να υπάρχουν σπασμένες ίνες. Ελέγξτε για φθορές, γδαρσίματα, έντονους ρύπους (C) μούχλα, καψίματα (D), ή αποχρωματισμό. Επιθεωρήστε τις ραφές. Ελέγξτε για τυχόν τραβηγμένες ή κομμένες ραφές. Οι σπασμένες ραφές μπορεί να είναι ένδειξη ότι η πρόσδεση είχε υπερφορτωθεί και θα πρέπει να απομακρυνθεί από τη χρήση.	<input type="checkbox"/>	<input type="checkbox"/>
Απορροφητής Ενέργειας (Εικόνα 21)	Επαληθεύστε ότι ο ενσωματωμένος απορροφητής ενέργειας δεν έχει ενεργοποιηθεί. Ένα ανοιχτό κάλυμμα ή ένα σχισμένο κάλυμμα (A), μια ενισχυτική ταινία που έχει τραβηχτεί από το κάλυμμα, μια σχισμένη ή ξεφτισμένη ενισχυτική ταινία (B), οι σχισμένες ραφές κλπ. αποτελούν ενδείξεις ενός απορροφητή ενέργειας που έχει ενεργοποιηθεί.	<input type="checkbox"/>	<input type="checkbox"/>
Διορθωτικές Ενέργειες / Συντήρηση:		Εγκρίθηκε από:	
		Ημερομηνία:	
Διορθωτικές ενέργειες/συντήρηση:		Εγκρίθηκε από:	
		Ημερομηνία:	
Διορθωτικές ενέργειες/συντήρηση:		Εγκρίθηκε από:	
		Ημερομηνία:	
Διορθωτικές ενέργειες/συντήρηση:		Εγκρίθηκε από:	
		Ημερομηνία:	
Διορθωτικές ενέργειες/συντήρηση:		Εγκρίθηκε από:	
		Ημερομηνία:	
Διορθωτικές ενέργειες/συντήρηση:		Εγκρίθηκε από:	
		Ημερομηνία:	
Διορθωτικές ενέργειες/συντήρηση:		Εγκρίθηκε από:	
		Ημερομηνία:	
Διορθωτικές ενέργειες/συντήρηση:		Εγκρίθηκε από:	
		Ημερομηνία:	

INFORMACIÓN DE SEGURIDAD

Lea, comprenda y cumpla con todo lo dispuesto en la información de seguridad contenida en estas instrucciones antes de utilizar este dispositivo autorretráctil (SRD). SI NO LO HACE, PUEDE SUFRIR GRAVES LESIONES O LA MUERTE.

Estas instrucciones deben entregarse al usuario de este equipo. Conserve las instrucciones para futuras consultas.

Uso previsto:

Este dispositivo autorretráctil está pensado para ser utilizado como parte de un sistema completo de protección contra caídas.

El empleo en cualquier otra aplicación, entre otras, la manipulación de material, actividades relacionadas de recreo o deportivas, u otras actividades no descritas en las instrucciones del usuario, no está aprobado por 3M y podría provocar lesiones graves o la muerte.

Este dispositivo solo deben usarlo usuarios formados en su utilización en aplicaciones dentro del lugar de trabajo.

! ADVERTENCIA

Este dispositivo autorretráctil es parte de un sistema de protección contra caídas. Se espera que todos los usuarios se hayan formado completamente en la instalación y el uso seguros de su sistema de protección contra caídas. **El uso indebido de este dispositivo podría ocasionar lesiones graves o la muerte.** Para una adecuada selección, uso, instalación mantenimiento y servicio, consulte estas instrucciones para el usuario, incluyendo todas las recomendaciones del fabricante, contacte con su supervisor o con los servicios técnicos de 3M.

- **Para reducir los riesgos asociados con trabajar con un SRD que, si no se evitan, pueden provocar lesiones graves o la muerte:**
 - Antes de cada uso, inspeccione el SRD y compruebe si tiene el bloqueo y retracción adecuados.
 - Si la inspección revela una situación poco segura o algún defecto, retire el dispositivo del servicio, repárelo o reemplácelo, según se indique en estas instrucciones.
 - Si el SRD ha sido sometido a detención de caídas o a una fuerza de impacto, retire inmediatamente el SRD del servicio y etiquételo como "INUTILIZABLE".
 - Asegúrese de que el anticaídas se mantiene libre de cualquier obstrucción, incluyendo, pero sin limitarse a: enredos con equipos o maquinaria en movimiento (por ejemplo, mecanismos de activación superiores de plataformas petrolíferas), otros trabajadores, usted mismo, objetos que lo rodean, o el impacto de objetos que se encuentren por encima de usted y que podrían caer sobre el anticaídas o el trabajador.
 - Nunca permita que exista holgura en el anticaídas. No ate ni anude el cabo anticaídas.
 - Fije el ramal o ramales no utilizados del SRD montados en el arnés a la o las fijaciones de uso del arnés, si se proporcionan.
 - No usar en aplicaciones que tienen un trayecto de caída obstruido. Trabajar en material de desplazamiento lento, como arena o grano, puede que no permita que el trabajador alcance la velocidad suficiente como para provocar el bloqueo del SRD. Es necesario un trayecto sin obstáculos para garantizar un bloqueo correcto del SRD.
 - Evitar movimientos bruscos o rápidos durante el funcionamiento de trabajo normal. Esto puede hacer que el dispositivo se bloquee.
 - Asegúrese de que los sistemas/subsistemas de protección contra caídas conectados con componentes hechos por distintos fabricantes son compatibles y cumplen los requisitos de las normas aplicables, incluyendo los ANSI Z359 u otros códigos, normas o requisitos de protección contra caídas aplicables. Consulte siempre con personal cualificado/competente antes de usar estos sistemas.
- **Para reducir los peligros asociados con el trabajo en altura que, si no se evitan, pueden provocar lesiones graves o la muerte:**
 - Asegúrese de que su salud y condición física le permiten resistir con seguridad todas las fuerzas asociadas con el trabajo en altura. Consulte con su médico si tiene alguna pregunta con respecto a su capacidad para utilizar este equipo.
 - Nunca exceda la capacidad de carga de su equipo de protección contra caídas.
 - Nunca exceda la distancia máxima de caída libre de su equipo de protección contra caídas.
 - No utilice ningún equipo de protección contra caídas que haya fallado antes de usarse o no haya pasado otras inspecciones programadas, o si tiene dudas sobre el uso o la idoneidad del equipo para su aplicación. Póngase en contacto con los servicios técnicos de 3M si tiene cualquier pregunta.
 - Algunas combinaciones de subsistemas y componentes pueden perjudicar el funcionamiento del equipo. Use solo conectores compatibles. Consulte con 3M antes de emplear este equipo con componentes o subsistemas distintos de los descritos en las instrucciones para el usuario.
 - Extreme la precaución cuando se encuentre alrededor de maquinaria en movimiento (p. ej., mecanismos de activación superiores de plataformas petrolíferas), cuando existan riesgos eléctricos, temperaturas extremas, peligros químicos, gases explosivos o tóxicos, bordes afilados o materiales que se encuentren por encima de usted y que podrían caer sobre usted o sobre el equipo de protección contra caídas.
 - Use dispositivos para trabajos en caliente o arco eléctrico cuando trabaje en ambientes a altas temperaturas.
 - Evite superficies y objetos que puedan dañar al usuario o al equipo.
 - Asegúrese de que haya una distancia de caída adecuada cuando trabaje en altura.
 - Nunca modifique o altere su equipo de protección contra caídas. Sólo 3M o las partes autorizadas por escrito por 3M pueden reparar el equipo.
 - Antes de usar el equipo de protección contra caídas, asegúrese de que existe un plan de rescate que permita un rápido rescate si se produce un incidente de caída.
 - Si hubiese un incidente de caída, busque atención médica inmediatamente para el trabajador que se haya caído.
 - No utilice un cinturón corporal para las aplicaciones de detención de caídas. Use sólo un arnés de cuerpo completo.
 - Trabaje en un lugar situado lo más directamente posible por debajo del punto de anclaje para minimizar la posibilidad de caídas con balanceo.
 - Si se está formando con este dispositivo, se debe utilizar un sistema de protección contra caídas secundario de manera que no exponga al aprendiz a un riesgo de caída involuntaria.
 - Lleve siempre el equipo de protección individual apropiado cuando instale, use o inspeccione el dispositivo/sistema.

Antes de utilizar este equipo, registre la información de identificación del producto indicada en la etiqueta de identificación en el "Registro de inspección y mantenimiento" al final de este manual.

DESCRIPCIÓN:

En la Figura 2 se identifican los componentes clave de los dispositivos autorretráctiles (SRD) Nano-Lok de 3M™ DBI-SALA®. Los SRD Nano-Lok son anticaídas de cincha enrollables (A) con un absorbedor de energía (B) en línea que se retrae en una carcasa (C) de nailon. Un cáncamo giratorio (D) situado en la parte superior de la carcasa permite la fijación a un punto conector de anclaje válido mediante un mosquetón (E), o el montaje en un arnés de cuerpo completo con una interfaz de arnés (F). En la Figura 1 se identifican los modelos disponibles de Nano-Lok y sus configuraciones de conector. Consulte las especificaciones de conector y los SRD Nano-Lok en la Tabla 1.

Tabla 1: Especificaciones

Especificaciones de componentes:

Carcasas SRL	Nailon
Tambor	Nailon
Componentes internos	Aluminio, acero inoxidable
Anticaídas de cincha	Poliéster Dyneema
Absorbedor de energía	Cubierta: Goma de nitrilo, de cincha: poliéster Costuras: Hilo de poliéster o nailon
Placa giratoria	Acero galvanizado

Especificaciones de conectores:

	Descripción	Material	Mecanismo de apertura	Fuerza del mecanismo de apertura	Carga de rotura
1	Argolla giratoria	Acero	22,35 mm (0,88 pulgadas) diámetro interno	X	22,2 kN (5000 libras)
2	Mosquetón	Aluminio	19 mm (3/4 pulgadas)	16 kN (3600 libras)	22,2 kN (5000 libras)
3	Mosquetón	Acero	19 mm (3/4 pulgadas)	16 kN (3600 libras)	22,2 kN (5000 libras)
4	Interfaz para un solo SRD	Acero	51 mm (2 pulgadas)	16 kN (3600 libras)	22,2 kN (5000 libras)
5	Interfaz para dos SRD	Acero con inserto de nailon	19 mm (3/4 pulgadas)	16 kN (3600 libras)	22,2 kN (5000 libras)
6	Mosquetón	Aluminio, acero	56 mm (2,19 pulgadas)	16 kN (3600 libras)	22,2 kN (5000 libras)
7	Mosquetón	Aluminio	19 mm (3/4 pulgadas)	16 kN (3600 libras)	22,2 kN (5000 libras)
8	Gancho de resorte	Aluminio	57 mm (2-1/4 pulgadas)	16 kN (3600 libras)	22,2 kN (5000 libras)
9	Gancho de resorte	Aluminio	63 mm (2-1/2 pulgadas)	16 kN (3600 libras)	22,2 kN (5000 libras)
10	Mosquetón	Aluminio	52 mm (2 pulgadas)	16 kN (3600 libras)	22,2 kN (5000 libras)
11	Gancho de resorte	Aluminio, acero	63 mm (2-1/2 pulgadas)	16 kN (3600 libras)	22,2 kN (5000 libras)
12	Mosquetón	Acero	19 mm (3/4 pulgadas)	16 kN (3600 libras)	22,2 kN (5000 libras)
13	Gancho de resorte	Aluminio	57 mm (2-1/4 pulgadas)	16 kN (3600 libras)	22,2 kN (5000 libras)
14	Mosquetón con cierre automático	Acero	19 mm (3/4 pulgadas)	16 kN (3600 libras)	22,2 kN (5000 libras)

Especificaciones de rendimiento:

Especificaciones del SRL (vertical)	Modelos CE	
Gama de capacidades	59 kg - 100 kg (130 libras - 220 libras)	100 kg - 140 kg (220 libras - 310 libras)
Fuerza máxima de detención	6 kN (1350 libras)	6 kN (1350 libras)
Fuerza media de detención	4 kN (900 libras)	4 kN (900 libras)
Distancia máxima de detención reclamada¹	0,61 m (24 pulgadas)	0,61 m (24 pulgadas)
Distancia de caída mínima requerida¹	1,5 m (5 pies)	1,8 m (5,8 pies)
Caída libre máxima²	1,5 m (5 pies)	1,5 m (5 pies)

1 - Supone que el SRL se monta directamente sobre el usuario final (sobre la cabeza).

2 - Medida desde la anilla D del usuario hasta la superficie de tránsito/trabajo. Consulte la(s) tabla(s) de distancia de caída para más detalles.

1.0 APLICACIONES

- 1.1 PROPÓSITO:** Los dispositivos autorretráctiles (Self-Retracting Devices, SRD) están diseñados para ser un componente de los sistemas personales de detención de caídas (PFAS). La figura 1 define los modelos SRD que aparecen en este manual de instrucciones. Pueden utilizarse en la mayoría de las situaciones que requieran proporcionar al operario una combinación de movilidad y protección contra caídas (p. ej., tareas de inspección, construcción en general, tareas de mantenimiento, producción petrolera, trabajo en espacios confinados, etc.).
- 1.2 NORMAS:** Su SRD cumple las normas nacionales o regionales identificadas en la cubierta de estas instrucciones. Consulte los requisitos locales, estatales y federales (OSHA) que rigen la seguridad laboral para obtener información adicional en relación con la protección personal contra caídas.
- 1.3 FORMACIÓN:** Este equipo está diseñado para ser utilizado por personas que hayan recibido formación sobre su uso y aplicación correctos. Es responsabilidad del usuario garantizar que está familiarizado con estas instrucciones, y que cuenta con formación en el cuidado y uso correctos de este equipo. El usuario también debe tener conocimiento de las características de funcionamiento, los límites de aplicación y las consecuencias del uso incorrecto de este equipo.
- 1.4 LIMITACIONES:** Tenga siempre en cuenta las siguientes limitaciones cuando instale o utilice este equipo:

- **Capacidad:** Los SRD son para ser utilizados por una persona con un peso combinado (vestimenta, herramientas, etc.) que satisfaga el *Intervalo de capacidad* que se especifica en la Tabla 1. Asegúrese de que todos los componentes del sistema se han preparado para una capacidad adecuada para su aplicación.
- **Anclaje:** La estructura de anclaje para el SRD debe ser capaz de soportar cargas de hasta 12 kN (2697 lb). Los dispositivos de anclaje deben cumplir con la norma EN795 u otras normas de conectores de anclaje apropiadas.
- **Velocidad de bloqueo:** Se deben evitar las situaciones que no permitan un trayecto de caída sin obstrucciones. Trabajar en espacios confinados o estrechos, o en una superficie en pendiente, puede hacer que el cuerpo no alcance suficiente velocidad para provocar el bloqueo del SRD en caso de producirse una caída. Es posible que al trabajar sobre materiales de desplazamiento lento, como arena o grano, no se alcance la velocidad suficiente para provocar el bloqueo del SRD. Es necesario un trayecto sin obstáculos para garantizar un bloqueo correcto del SRD.
- **Caída libre:** Cuando se anclan desde arriba, los SRD limitarán la distancia de caída libre a 0,6 m (2 ft)¹. Para evitar unas distancias de caída mayores, ancle el SRD directamente por encima del trabajo. No conecte nunca el SRD con un punto de anclaje que creará una caída libre de más de 1,5 m (5 ft). Evite trabajar en lugares donde el anticaídas pueda cruzarse o enredarse con el de otro trabajador. Evite trabajar en sitios donde pueda caer un objeto que golpee el anticaídas y pueda producirle daños o una pérdida de equilibrio. No permita que el anticaídas pase por debajo de los brazos o entre las piernas. Nunca pince, anude ni impida que el anticaídas se retraiga o pierda tensión. Evite que la cuerda esté floja. **No alargue el SRD mediante la conexión de una eslinga o de un componente similar sin consultar antes con 3M.**
- **Caídas con oscilación:** Las caídas con oscilación ocurren cuando el punto de anclaje no se encuentra directamente encima del punto donde se produce la caída. La fuerza con que se golpea un objeto en una caída con oscilación puede causar lesiones graves (consulte la figura 3A). Trabaje en un lugar situado lo más directamente posible por debajo del punto de anclaje para minimizar la posibilidad de caídas con balanceo (Figura 3B). El trabajo lejos del punto de anclaje (Figura 3C) incrementará el impacto de una caída de oscilación y aumentará la distancia de caída (FC) necesaria.
- **Distancia de caída:** La figura 3B muestra el cálculo de la distancia de caída. La distancia de caída (Fall Clearance, FC) es la suma de la caída libre (Free Fall, FF), distancia de desaceleración (Deceleration Distance, DD) y factor de seguridad (Safety Factor, SF): $FC = FF + DD + SF$. En el factor de seguridad se incluyen el deslizamiento de la anilla D y el estiramiento del arnés. En la figura 4 aparecen los valores de caída que se han calculado. Para todos los valores de la figura 4 se utilizó un factor de seguridad de 1 m (3,28 ft).

La figura 4 muestra la distancia de caída (Fall Clearance, FC) basándose en las distancias Horizontal (H) y Vertical (V) entre la conexión del SRD dorsal y el punto de anclaje. Cada línea horizontal en la cuadrícula en las tablas representa la distancia vertical desde el punto de anclaje. Cada línea vertical en la cuadrícula de las tablas representa la distancia horizontal desde el punto de anclaje. El valor de la distancia de caída (FC) se determina con la zona (líneas parabólicas) en las que se cruzan las líneas de la cuadrícula horizontales (H) y verticales (V). El ejemplo de la figura 4 muestra cómo determinar el valor de la distancia (FC) de caída necesaria para las distancias verticales (V) y horizontales (H) declaradas.

Puntos de anclaje variables: Las distancias de caída de la figura 4 se basan en un punto de anclaje rígido y estacionario. Si el anclaje se realiza en un anticaídas horizontal (Horizontal Lifeline, HLL) o un punto de anclaje que se pueda mover, deslizarse o deformarse durante una caída, los valores de distancia de caída de la figura 4 no serán de aplicación. Consulte las instrucciones para el HLL o el anclaje para obtener detalles adicionales en relación con las distancias de caída, desviaciones y/o deformación necesarias.

De rodillas o agachados: Las tablas de distancias de la figura 4 asumen que el trabajador está de pie. Si el trabajador está arrodillado o agachado se necesita un margen adicional de 0,9 m (3 ft).

No realice nunca el anclaje por debajo de los pies: No conecte nunca con un punto de anclaje por debajo de sus pies.

- **Peligros:** El uso de este equipo en zonas con peligros ambientales puede requerir precauciones adicionales para reducir la posibilidad de lesiones al usuario o de daños al equipo. Los peligros pueden incluir, entre otros: el calor excesivo, sustancias cáusticas, ambientes corrosivos, líneas de alta tensión, gases explosivos o tóxicos, maquinaria en movimiento, o materiales que puedan caer y golpear al usuario o al sistema de detención de caídas. Evite trabajar en lugares donde el anticaídas pueda cruzarse o enredarse con el de otro trabajador. Evite trabajar en sitios donde pueda caer un objeto que golpee el anticaídas y pueda producirle daños o una pérdida de equilibrio. No permita que el anticaídas pase por debajo de los brazos o entre las piernas.
- **Bordes afilados:** Los bordes afilados con los que puede entrar en contacto el anticaídas SRD durante una caída deben tener un radio mínimo de 0,3 cm (0,125 in). Cuando el contacto con un borde afilado sea inevitable, cubra el borde con material protector.

¹ **Caída libre:** Una correcta aplicación del SRD, con el usuario trabajando directamente debajo del punto de anclaje y sin flojedad en el anticaídas, eliminará la caída libre. Consulte las ubicaciones de anclaje aceptables en la figura 4.

2.0 Uso del sistema

- 2.1 PLAN DE RESCATE Y PROTECCIÓN CONTRA CAÍDAS:** La empresa deberá disponer de un plan de rescate o de protección contra caídas. El plan debe proporcionar directrices y requisitos para el programa de protección contra caídas gestionadas de una empresa, lo que incluye políticas, deberes y formación, procedimientos de protección contra caídas, eliminación y control de los peligros de caída, procedimientos de rescate, investigaciones de incidentes y evaluación de la efectividad del programa.
- 2.2 FRECUENCIA DE INSPECCIÓN:** Los SRD deben ser inspeccionados por la persona autorizada¹ o por el rescatador² antes de cada uso (consulte la Tabla 3). Además debe realizar inspecciones una persona competente³ que no sea el usuario. Las condiciones de trabajo extremas (entornos duros, uso prolongado, etc.) pueden hacer que sea necesario aumentar la frecuencia de las inspecciones que realizan las personas competentes. Dicha persona competente debe usar el *programa de inspección* (Tabla 2) para determinar los intervalos apropiados de inspección. Los procedimientos de inspección se describen en el *Registro de inspección y mantenimiento* (Tabla 3). Los resultados de la inspección por parte de la persona competente deben registrarse en el *Registro de inspección y mantenimiento* o registrarse con el sistema RFID de identificación de radiofrecuencia (consulte la Sección 5).
- 2.3 FUNCIONAMIENTO NORMAL:** El funcionamiento normal permitirá extender y retraer el anticaídas completo, sin dificultad y sin holgura, cuando el trabajador se mueve a velocidad normal. En caso de que se produzca una caída, un sensor de velocidad activará un sistema de freno que permitirá detener la caída y absorber mucha de la energía generada. Se deben evitar los movimientos repentinos o rápidos durante las labores normales de trabajo, dado que pueden provocar el bloqueo del SRD. Para caídas que se produzcan cerca del final del recorrido del anticaídas, se ha incorporado un sistema de reserva anticaídas o absorbedor de energía para reducir las fuerzas de detención de caídas.
- 2.4 SUJECCIÓN DEL CUERPO:** Se debe utilizar un arnés de cuerpo completo con los dispositivos autorretráctiles. El punto de conexión del arnés debe estar situado por encima del centro de gravedad del usuario. No se autoriza el uso de un cinturón corporal con los dispositivos autorretráctiles. En caso de caída, el uso de un cinturón corporal puede causar la liberación accidental del sistema o traumas físicos por una sujeción inadecuada al cuerpo.
- 2.5 COMPATIBILIDAD DE COMPONENTES:** Salvo que se indique lo contrario, el equipo 3M está diseñado para su uso solo con componentes y subsistemas aprobados por 3M. Las sustituciones que se hagan con componentes o subsistemas no aprobados pueden poner en peligro la compatibilidad del equipo y afectar a la seguridad y fiabilidad de todo el sistema.
- 2.6 COMPATIBILIDAD DE CONECTORES:** Los conectores se consideran compatibles con los elementos de conexión cuando, sin importar cómo queden orientados, se han diseñado para trabajar en conjunto de manera que sus tamaños y formas no provoquen que sus mecanismos de apertura se abran inesperadamente. Póngase en contacto con 3M si tiene alguna duda sobre compatibilidad. Los conectores (ganchos, mosquetones y anillas D) deben poder sostener al menos 22,2 kN (5000 lb). Los conectores deben ser compatibles con el anclaje y los demás componentes del sistema. No utilice equipos que no sean compatibles. Los conectores no compatibles pueden desengancharse de manera accidental (consulte la figura 5). Los conectores deben ser compatibles en tamaño, forma y resistencia. Se precisan mosquetones con cierre automático y mosquetones con cierre automático. Si el elemento conector al que se acopla un mosquetón con cierre automático o un mosquetón es más pequeño de lo normal o tiene forma irregular, puede suceder que el elemento conector ejerza una fuerza sobre el mecanismo de apertura del mosquetón con cierre automático o el mosquetón (A). Esta fuerza puede hacer que el mecanismo de apertura se abra (B) y permitir que el mosquetón con cierre automático o el mosquetón se desenganchen del punto de conexión (C).
- 2.7 REALIZACIÓN DE CONEXIONES:** Los mosquetones con cierre automático y mosquetones que haya que usar con este equipo deben ser de autobloqueo. Asegúrese de que todas las conexiones sean compatibles en tamaño, forma y resistencia. No utilice equipos que no sean compatibles. Asegúrese de que todos los conectores estén totalmente cerrados y bloqueados. Los conectores 3M (mosquetones con cierre automático y mosquetones) están diseñados para usarse solo como se indica en las instrucciones del usuario del producto. Consulte la figura 6 para ver ejemplos de conexiones incorrectas.

No conecte mosquetones con cierre automático y mosquetones:

- A una anilla en D que tenga otro conector acoplado.
- De una manera que suponga una carga sobre el mecanismo de apertura. Los mosquetones con cierre automático de abertura grande no deben conectarse a anillas D de tamaño estándar o a objetos similares, ya que podrían provocar una carga sobre el gancho si el mosquetón o la anilla D se torciera o girara, a menos que el mosquetón con cierre automático venga equipado con un gancho de 16 kN (3600 lb).
- En un acoplamiento en falso, cuando el tamaño o forma de los conectores de acoplamiento no sean compatibles y, sin confirmación visual, los conectores parece que están completamente acoplados.
- Entre sí.
- Directamente con una cincha, eslinga de cuerda o de autoamarre (a menos que en las instrucciones del fabricante, tanto para la eslinga como para el conector, se permita tal conexión).
- A cualquier objeto con forma o dimensión tal que el mosquetón con cierre automático o mosquetón no se cierre ni se bloquee, o que pueda soltarse.
- De modo que el conector no quede correctamente alineado mientras está soportando carga.

Tabla 2 – Programa de inspección

Tipo de uso	Ejemplos de aplicación	Condiciones de uso	Frecuencia de inspección
			Persona competente
De poco frecuente a escaso	Rescate y espacio confinado, mantenimiento de la fábrica	Buenas condiciones de almacenamiento, uso en interiores o uso poco frecuente en exteriores, temperatura ambiente, ambientes limpios	Una vez al año
De moderado a intenso	Transporte, construcción residencial, servicios públicos, almacén	Condiciones adecuadas de almacenamiento, uso en interiores y uso prolongado en exteriores, todas las temperaturas, ambientes limpios o polvorientos	Dos veces al año o una vez al año
De severo a continuo	Construcción comercial, petróleo y gas, minería	Condiciones exigentes de almacenamiento, uso en exteriores prolongado o continuo, todas las temperaturas, ambiente sucio	Trimestralmente o cada seis meses

¹ **Persona autorizada:** una persona asignada por el empleador para realizar tareas en una ubicación donde estará expuesto a riesgo de caída.

² **Rescatador:** persona o personas, que no sean el sujeto que se pretende rescatar, que actúan para realizar un rescate asistido mediante un sistema de rescate.

³ **Persona competente:** una persona designada por el empleador que se encarga de la supervisión inmediata, implementación y seguimiento del programa de protección contra caídas del empleador, quien, mediante su formación y conocimiento, puede identificar, evaluar y atender los riesgos reales y potenciales de caídas, y que cuenta con la autorización del empleador para tomar medidas correctivas inmediatas en relación con dichos riesgos.

3.0 Instalación

- 3.1 PLANIFICACIÓN:** Planifique su sistema de protección contra caídas antes de empezar a trabajar. Tenga en cuenta todos los factores que podrían afectar a su seguridad antes, en el transcurso y después de una caída. Considere todos los requisitos y limitaciones definidos en la Sección 2.

En la mayoría de las aplicaciones, los SRD Nano-Lok se pueden conectar al anclaje o la ubicación dorsal del arnés. Se permite cualquier orientación; excepto lo indicado en la Sección 4.

- 3.2 ANCLAJE:** La Figura 7 ilustra las conexiones de anclaje típicas de la unidad SRD. Seleccione una ubicación de anclaje con mínimo riesgo de caída libre y de caída con balanceo (consulte la Sección 1). Seleccione un punto de anclaje rígido capaz de sustentar las cargas estáticas definidas en la Sección 1. Cuando no es posible un anclaje en el techo, los SRD Nano-Lok se pueden asegurar a un punto de anclaje por debajo del nivel de la anilla D dorsal del usuario. Para usuarios que pesen hasta 140 kg (310 libras), el punto de anclaje no debe estar a más de 1,5 m (5 pies) por debajo de la anilla D dorsal.

- 3.3 MONTAJE DEL ARNÉS:** Algunos modelos de SRD incluyen una interfaz de arnés de un solo SRD o dos SRD para montar los SRD en un arnés de cuerpo entero justo por debajo de la anilla D dorsal:

Algunos arneses de cuerpo completo cuentan con un sistema de enlace SRD personal (enlace PSRL) que integra la anilla D dorsal con elementos de fijación para los dispositivos autorretráctiles (SRD) montados en el arnés (Figura 8). También es aceptable conectar el SRD a la anilla D dorsal del arnés con un mosquetón o gancho de seguridad.

- **Montaje de arnés SRL único:** Cuando la movilidad del trabajador sea crítica, se puede utilizar una interfaz de arnés SRD para montar el SRD en la parte posterior de un arnés de cuerpo entero justo debajo de la anilla D dorsal (consulte la Figura 9). El trabajador puede entonces conectarse con diversos puntos de anclaje ubicados por todo el lugar de trabajo con el extremo de la eslinga del SRD tener que volver a instalar el SRD. Para montar el SRD en un arnés de cuerpo entero con la interfaz de arnés SRD:
 1. **Afloje la cincha del arnés:** Tire de las correas de cincha (A) donde pasan a través de la parte inferior de la anilla D dorsal (B) hasta que haya suficiente espacio para deslizar la interfaz del arnés SRD entre las correas de cincha y la almohadilla de la anilla D.
 2. **Abra la interfaz del arnés:** Presione los botones de bloqueo (C) simultáneamente y deslice el pasador de bloqueo (D) para sacarlo.
 3. **Coloque el SRD en la interfaz del arnés:** Inserte la puerta abierta en la interfaz del arnés a través de la argolla giratoria en el SRD (E). Pase la interfaz a través de las argollas giratorias para que el SRD cuelgue de la estructura principal de la interfaz del arnés (F).
 4. **Coloque la interfaz del arnés alrededor de las correas de cincha:** Coloque la puerta abierta de la interfaz del arnés alrededor de las correas de cincha sueltas (A).
 5. **Cierre la interfaz del arnés:** Empuje el pasador de bloqueo de la interfaz del arnés (D) a través de las correas de cincha sueltas (A) hasta que encaje en su lugar en el extremo opuesto de la interfaz del arnés. Tire de las correas de cincha a través de la anilla D dorsal y la almohadilla dorsal para asegurar la interfaz del arnés.

La banda roja del externo del perno del pasador de bloqueo de la interfaz del arnés quedará expuesta si se desbloquea la interfaz del arnés. Para evitar la liberación accidental de la conexión, asegúrese siempre de que la interfaz del arnés esté bloqueada antes de usar el arnés y el SRD conectado. Si no lo hace, puede sufrir graves lesiones o la muerte.

- **Montaje de arnés SRL doble:** En aplicaciones de escalada donde se requiere una absorción de choques del 100 %, se puede utilizar la interfaz de arnés SRD para montar dos SRD, uno junto al otro, en la parte posterior de un arnés de cuerpo completo, justo debajo de la anilla D dorsal (consulte la Figura 9):
 1. **Afloje la cincha del arnés:** Tire de las correas de cincha (A) donde pasan a través de la parte inferior de la anilla D dorsal (B) hasta que haya suficiente espacio para deslizar la interfaz del arnés SRD entre las correas de cincha y la almohadilla de la anilla D.
 2. **Abra la interfaz del arnés:** Presione los botones de bloqueo (C) simultáneamente y deslice el pasador de bloqueo (D) para sacarlo.
 3. **Coloque los SRD en la interfaz del arnés:** Inserte la puerta abierta en la interfaz del arnés a través de la argolla giratoria en cada SRD (E). Pase la interfaz a través de las argollas giratorias para que los SRD cuelguen de la estructura principal de la interfaz del arnés (F).
 4. **Coloque la interfaz del arnés alrededor de las correas de cincha:** Coloque la puerta abierta de la interfaz del arnés alrededor de las correas de cincha sueltas (A).
 5. **Cierre la interfaz del arnés:** Empuje el pasador de bloqueo de la interfaz del arnés (D) a través de las correas de cincha sueltas (A) hasta que encaje en su lugar en el extremo opuesto de la interfaz del arnés. Tire de las correas de cincha a través de la anilla D dorsal y la almohadilla dorsal para asegurar la interfaz del arnés.

La banda roja del externo del perno del pasador de bloqueo de la interfaz del arnés quedará expuesta si se desbloquea la interfaz del arnés. Para evitar la liberación accidental de la conexión, asegúrese siempre de que la interfaz del arnés esté bloqueada antes de usar el arnés y el SRD conectado. Si no lo hace, puede sufrir graves lesiones o la muerte.

- **Montaje del arnés de anilla D fijo del SRD doble:** Los antiguos arneses de cuerpo entero ExoFit con anilla D fija requieren una interfaz especial de arnés de SRD para montar dos SRD en la parte posterior del arnés, justo debajo de la anilla D dorsal. Para montar dos SRD en un arnés de cuerpo entero ExoFit con la interfaz de arnés de anilla D fija de SRD (Figura 10):

1. **Afloje la cincha del arnés:** Tire de las correas de cincha (A) allí donde estas pasan a través de la parte inferior de la anilla D dorsal (B) hasta que haya suficiente espacio para insertar la interfaz de arnés de SRD entre las correas y la almohadilla dorsal.
 2. **Abra la interfaz del arnés:** Con la interfaz de arnés de SRD orientada del modo que se muestra, empuje el manguito de bloqueo (C) hacia la derecha y, a continuación, gire en el sentido de las agujas del reloj para desbloquear el mecanismo de apertura (D). Haga oscilar el mecanismo de apertura (D) hacia abajo para que se abra.
 3. **Pase el primer SRD por la interfaz del arnés:** Inserte la nariz del conector (E) a través del cáncamo giratorio (F) del SRD y gire el SRD alrededor del extremo del mecanismo de apertura del conector (G). El mecanismo de apertura puede estar cerrado a fin de dejar margen para el cáncamo giratorio entre el mecanismo de apertura y el otro lado del conector.
 4. **Coloque la interfaz del arnés alrededor de las correas de cincha:** Inserte la nariz del conector (E) detrás de las correas de cincha (A). Rote el conector detrás de las correas de cincha hasta que el conector las rodee.
 5. **Añada el segundo SRD a la interfaz del arnés:** Deslice el cáncamo giratorio del SRD (F) sobre la nariz del conector (E) y coloque el cáncamo giratorio del SRD en el extremo de la nariz del conector.
 6. **Cierre la interfaz del arnés:** Deje que el mecanismo de apertura (D) se balancee hasta cerrarse y que el manguito de bloqueo (C) rote de vuelta a la posición de bloqueo. Una vez que la interfaz del arnés esté cerrada, tire de las correas de cincha (A) de vuelta a través de la anilla D dorsal para eliminar la holgura de cincha y asegurar la interfaz entre las correas y la almohadilla dorsal.
- **3M® DBI-SALA® Mosquetón doble:** El mosquetón doble 3M® DBI-SALA® está diseñado para montar dos SRD Nano-Lok lado a lado en la parte posterior de un arnés de cuerpo completo justo debajo de la anilla D dorsal (consulte la Figura 12). Para montar dos unidades SRD Nano-Lok en un arnés de cuerpo completo con el mosquetón doble:
 1. **Afloje la cincha del arnés:** Tire de las correas de cincha (A) donde pasan a través de la parte inferior de la anilla D dorsal (B) hasta que haya suficiente espacio para deslizar la interfaz de SRL doble entre las correas de cincha y la almohadilla de la anilla D.
 2. **Abra el mosquetón doble:** Empuje hacia arriba el inserto del conector (C) para soltar las abrazaderas (D) del conector y haga oscilar el inserto del conector hacia arriba para desbloquear el mecanismo de apertura. Empuje el mecanismo de apertura (E) hacia dentro para abrir el conector.
 3. **Enrosque el primer SRL Nano-Lok en el mosquetón doble:** Inserte la nariz del conector (F) a través del cáncamo giratorio (G) sobre el SRL y gire el SRL alrededor del extremo del mecanismo de apertura del conector (H). El mecanismo de apertura se puede girar hacia la nariz para dejar margen para el cáncamo giratorio entre el mecanismo de apertura y la otra parte del conector.
 4. **Coloque el mosquetón doble alrededor de las correas de cincha:** Con el mecanismo de apertura mirando hacia arriba, inserte la nariz del conector (F) detrás de las correas de cincha (A). Gire el conector detrás de las correas de cincha hasta que el conector rodee las correas de cincha.
 5. **Agregue el segundo SRD Nano-Lok en el mosquetón doble:** Deslice el cáncamo giratorio del SRL (G) sobre la nariz del conector (F) y coloque el cáncamo giratorio del SRL en el extremo de la nariz del conector (F). Haga oscilar el mecanismo de apertura (E) para que se cierre.
 6. **Cierre el mosquetón doble:** Gire el inserto del conector (C) hacia delante de modo que las abrazaderas (D) se fijen sobre el conector. Cuando estén debidamente cerradas, las correas de cincha deben pasar por la ranura de cincha (J) en la parte superior del inserto del conector y los cáncamos giratorios del SRL se deben asegurar en los dispositivos de sujeción (K) a cada lado del inserto del conector. Cuando la interfaz del arnés esté cerrada, tire de las correas de cincha (A) hacia atrás a través de la anilla D dorsal y la almohadilla de la anilla D para eliminar la holgura de cincha y asegure el conector entre las correas y dicha almohadilla.
 - **3M® DBI-SALA® Mosquetón de pasador doble:** Este accesorio del arnés se puede utilizar para montar un SRL Nano-Lok o dos SRL Nano-Lok en aplicaciones de escalada (ver Figura 11) donde se requiere un amarre del 100 %:
 1. **Afloje la cincha del arnés:** Tire de las correas de cincha (A) donde pasan a través de la parte inferior de la anilla D dorsal (B) hasta que haya suficiente espacio para deslizar la interfaz de SRL doble entre las correas de cincha y la almohadilla de la anilla D.
 2. **Para una configuración única:** Coloque la argolla giratoria de un solo SRL en el espacio abierto del centro.
 3. **Para una configuración doble:** Coloque la argolla giratoria de un SRL en el espacio abierto más cercano al pasador y un SRL en el espacio abierto más alejado del pasador.
 4. Deslice el pasador en su lugar hasta que escuche un clic. El pasador debe estar firmemente bloqueado en su lugar.
 5. Presione simultáneamente los dos botones en el lado del arnés del conector mientras desliza el pasador hacia afuera. Deslizar este pasador hacia fuera crea un espacio abierto.
 6. Tire de una pequeña cantidad de holgura en la cinta directamente debajo de la anilla D dorsal de su arnés. Coloque el lado del arnés del conector debajo de la anilla D.
 7. Deslice el pasador nuevamente en su lugar asegurándose de que el pasador quede debajo de las dos capas de cincha del arnés hasta que escuche un clic. El pasador debe estar firmemente bloqueado en su lugar.

4.0 FUNCIONAMIENTO

Los usuarios poco habituados a los dispositivos autorretráctiles (Self-Retracting Devices, SRD) deben consultar la "Información de seguridad" que se encuentra al principio de este manual antes de utilizar el SRD.

- 4.1 **ANTES DE CADA USO:** Antes de cada uso de este equipo de protección contra caídas, inspecciónelo con cuidado para comprobar que se encuentre en buen estado. Compruebe que no existan piezas desgastadas ni dañadas. Asegúrese de que todos los pernos estén en su lugar y bien apretados. Compruebe que la línea de vida se retraiga de manera correcta al extraer el cabo y al soltar lentamente. Si tiene alguna duda sobre la retracción, la unidad se debe retirar del servicio y eliminarse. Inspeccione la línea de vida para comprobar si tiene cortes, desgaste, quemaduras, aplastamiento o corrosión. Compruebe la acción de bloqueo tirando bruscamente del cabo. Consulte los detalles de inspección en el Registro de inspección y mantenimiento (Tabla 3). No debe usarse el dispositivo si la inspección muestra que se encuentra en condiciones no seguras.

- 4.2 DESPUÉS DE UNA CAÍDA:** Cualquier equipo que haya sido sometido a fuerzas de detención de caída o muestre signos de daño como consecuencia del efecto de estas fuerzas, según se describe en la Tabla 3, deberá ser retirado del servicio inmediatamente y destruido.
- 4.3 SOPORTE CORPORAL:** Cuando utilice los SRD debe llevar un arnés de cuerpo entero. Para protección general contra caídas, engánchelo a la anilla D (dorsal) posterior.
- 4.4 REALIZACIÓN DE CONEXIONES:** La figura 5 muestra la conexión al arnés y al anclaje para los sistemas de detención de caídas SRD. Cuando utilice un gancho para realizar una conexión, asegúrese de que no pueda soltarse (consulte la figura 5). No use ganchos ni conectores que no se cierren completamente sobre el objeto de fijación. No utilice mosquetones sin cierre automático. El anclaje debe cumplir los requisitos de fuerza de anclaje indicados en la Sección 2. Siga las instrucciones del fabricante suministradas con cada componente del sistema.
- 4.5 FUNCIONAMIENTO:** Antes de su uso, revise el SRD del modo descrito en la Tabla 3. La figura 14 muestra las conexiones del sistema para las aplicaciones típicas de SRD. Conecte el SRD a un anclaje adecuado o móntelo en la parte posterior de un arnés de cuerpo entero según las instrucciones de la Sección 3. En los SRD con conectores de anclaje, conecte el gancho (D) o el mosquetón en el indicador de carga a la anilla D dorsal (A) sobre el arnés de cuerpo entero. En los SRD montados en arnés, conecte el gancho (D) o el mosquetón a un anclaje adecuado. Asegúrese de que las conexiones sean compatibles en tamaño, forma y resistencia. Asegúrese de que los ganchos estén completamente cerrados y bloqueados. Una vez fijado, el trabajador tiene libertad de movimiento dentro del área de trabajo recomendada a velocidades normales. Si ocurre una caída, el SRD se bloqueará y detendrá la caída. Después de una situación de rescate, deje de usar el SRD. Cuando trabaje con un SRD, deje siempre que la línea de vida se repliegue en el dispositivo de control.
- 4.6 AMARRE AL 100 % DE LA INTERFAZ DE DOS SRD:** Cuando dos SRD están montados uno junto a otro en la parte posterior de un arnés de cuerpo entero, se puede utilizar el sistema de detención de caídas SRD como protección continua (amarre al 100 %) en ascenso, descenso o movimiento lateral (consulte la figura 15). Con el ramal de la eslinga de un SRD conectado a un punto de anclaje, el trabajador se puede mover a una nueva ubicación, conectar el ramal de la eslinga sin usar de otro SRD a otro punto de anclaje y, a continuación, desconectar el punto de anclaje original. La secuencia se repite hasta que el trabajador alcance la ubicación que desea. Entre los aspectos que se deben tener en cuenta para las aplicaciones del amarre al 100 % de doble SRD se encuentran los siguientes:
- En ningún caso conecte las eslingas de ambos SRD al mismo punto de anclaje (consulte la Figura 16A).
 - Si se conecta más de un conector en un solo anclaje (anilla o cáncamo), se puede poner en peligro la compatibilidad de cada conexión debido a la interacción entre los conectores, y esto no es recomendable.
 - Se puede conectar la eslinga de cada SRD a un punto de anclaje independiente (Figura 16B).
 - Cada ubicación de conexión debe soportar independientemente 10 kN (2248 libras) o ser un sistema diseñado, como con un cabo salvavidas horizontal.
 - En ningún caso conecte a más de una persona a la vez a un sistema con dos SRD (Figura 16C).
 - No permita que las eslingas se enreden o se trencen, ya que ello podría impedir que se retraigan.
 - No permita que ninguna eslinga pase por debajo de los brazos o entre las piernas mientras se estén usando.
- 4.7 MONTAJE DE LA ANILLA D DORSAL DEL SRD DOBLE:** Los modelos con el mosquetón de triple acción se pueden montar en la anillo D dorsal en una configuración doble. Para montar dos SRD en la anillo D dorsal de un arnés (Figura 13):
- 1. Abra el mosquetón de triple acción:** Con el mosquetón de triple acción orientado del modo que se muestra, empuje el manguito de bloqueo (C) hacia la derecha y, a continuación, gire en el sentido de las agujas del reloj para desbloquear el mecanismo de apertura (D). Haga oscilar el mecanismo de apertura (D) hacia abajo para que se abra.
 - 2. Pase el primer SRD por el mosquetón de triple acción:** Inserte la nariz del conector (E) a través del cáncamo giratorio (F) del SRD y gire el SRD alrededor del extremo del mecanismo de apertura del conector (G). El mecanismo de apertura puede estar cerrado a fin de dejar margen para el cáncamo giratorio entre el mecanismo de apertura y el otro lado del conector.
 - 3. Agregue el segundo SRD en el mosquetón de triple acción:** Deslice la argolla giratoria del SRD (F) sobre la nariz del conector (E).
 - 4. Pase el mosquetón de triple acción a través de la anilla D:** Inserte la nariz del conector (E) a través de la anilla D dorsal (A). Gire el conector a través de la anillo D hasta que la puerta pueda cerrarse.
 - 5. Cierre el mosquetón de triple acción:** Deje que el mecanismo de apertura (D) se balancee hasta cerrarse y que el manguito de bloqueo (C) rote de vuelta a la posición de bloqueo.
- 4.8 SISTEMAS HORIZONTALES:** Cuando utilice un SRD junto con un sistema horizontal (por ejemplo, anticaídas horizontales, carrito de vigas en T horizontales), los componentes del sistema horizontal y del SRD deben ser compatibles. Los sistemas horizontales se deben diseñar e instalar bajo la supervisión de un ingeniero cualificado. Consulte las instrucciones del fabricante del equipo del sistema horizontal para obtener más detalles.

Los valores de distancia de caída de la Figura 4 se basan en anclajes realizados en un punto rígido y estático de anclaje, y no se aplican a anclajes realizados en un sistema anticaídas horizontal (Horizontal Lifeline, HLL). Consulte el manual de instrucciones y del instalador del sistema HLL para determinar las distancias de caída necesarias.

5.0 Inspección

5.1 ETIQUETA RFID: El dispositivo autorretráctil (SRD) incluye una etiqueta de identificación de radiofrecuencia (RFID) (consulte la figura 17). La etiqueta RFID puede usarse con el dispositivo de lectura portátil y el portal con base en la web para simplificar la inspección y el control del inventario y para proporcionar registros sobre su equipo de protección contra caídas. Para obtener detalles, póngase en contacto con un representante del Servicio de atención al cliente de 3M (consulte la portada posterior). Para transferir datos a su registro web, siga las instrucciones del dispositivo de lectura portátil o el portal web.

5.2 FRECUENCIA DE INSPECCIÓN: Se deberá inspeccionar el dispositivo autorretráctil en los intervalos que se definen en la sección 2. Los procedimientos de inspección se describen en el apartado "Registro de inspección y mantenimiento" (Tabla 3).

Unas condiciones extremas de funcionamiento (entornos exigentes, uso prolongado, etc.) pueden requerir que se incremente la frecuencia de las inspecciones (consulte la Tabla 2).

5.2 ESTADOS NO SEGUROS O DEFECTUOSOS: Si la inspección revela unas condiciones inseguras o defectos, retire el SRD del servicio inmediatamente y deséchelo (consulte la sección 6).

Solo 3M o las partes autorizadas por escrito podrán reparar este equipo.

5.3 VIDA ÚTIL DEL PRODUCTO: La vida útil de los dispositivos autorretráctiles 3M depende de las condiciones de uso y mantenimiento. El producto podrá seguir utilizándose siempre que cumpla los criterios de inspección (dentro de la vida útil máxima del producto). La vida máxima del producto del SRD con anticaídas de cincha textil no es más de 10 años a partir de la fecha de fabricación.

6.0 MANTENIMIENTO, REPARACIONES y ALMACENAMIENTO

6.1 LIMPIEZA: Los procedimientos de limpieza para el SRD son los siguientes:

- Limpie periódicamente el exterior del SRD con agua y una solución jabonosa suave. Coloque el SRD de modo que se drene fácilmente el exceso de agua. Limpie las etiquetas cuando sea necesario.
- Limpie el anticaídas de cincha con agua y una solución jabonosa suave. Enjuague y seque completamente al aire. No acelere el secado con calor. La línea de vida debe estar seco antes de dejar que se retraiga dentro de la carcasa. La acumulación excesiva de suciedad, pintura, etc., podría impedir la retracción completa de la línea de vida dentro de la carcasa, y así ocasionar un riesgo de caída libre.

6.2 REPARACIONES: Los SRD no se pueden reparar. Si el SRD se ha sometido a una fuerza de caída o la inspección revela unas condiciones inseguras o defectos, retírelo del servicio y deséchelo (consulte el apartado "Eliminación").

6.3 ALMACENAMIENTO/TRANSPORTE: Transporte y almacene los SRD en un lugar frío, seco y limpio, y alejado de la luz directa del sol. Evite las zonas donde pueda haber vapores químicos. Inspeccione cuidadosamente los SRD después de cualquier período de almacenamiento prolongado.

6.4 ELIMINACIÓN: Deseche la unidad SRD si se ha sometido a una fuerza de caída o se detecta en una inspección que presenta defectos o su uso no es seguro. Antes de desechar la unidad SRD, corte la línea de vida por la mitad o simplemente deseche la unidad para evitar que algún usuario la vuelva a usar por equivocación.

7.0 Etiquetas

En la Figura 22 se ilustran las etiquetas que van fijadas a los dispositivos autorretráctiles y sus ubicaciones. Todas las etiquetas de los SRD deben estar presentes. Si las etiquetas no son plenamente legibles, deberán sustituirse. Los pictogramas de las etiquetas se describen a continuación:

1	Inspeccione el gancho de seguridad y el indicador de impacto
2	Inspeccione la acción de bloqueo del SRL
3	Forma correcta de conexión del SRL al arnés
4	Certificación de que no hay bordes afilados. Puede conectarse a un punto de anclaje sobre, debajo o al mismo nivel que la anilla D dorsal (140 kg como máximo).
5	Rango de temperatura de uso: -40 °C – +60 °C
6	Capacidad máxima: 140 kg
7	Permita siempre que la línea de vida se repliegue en el SRL bajo control.
8	No reparar
9	Guárdelo en un entorno frío, seco y limpio, sin exponerlo directamente a la luz solar.
10	No realice la carga sobre un borde
11	No quitar esta etiqueta

Tabla 3: Registro de inspección y mantenimiento

Números de serie:		Fecha de compra:	
Número de modelo:		Fecha del primer uso:	
Fecha de la inspección:		Inspeccionado por:	
Componente:	Inspección: (consulte la sección 2 <i>Frecuencia de inspección</i>)	Aprobado	Rechazado
SRD (Figura 18)	Compruebe que no haya pernos sueltos ni piezas dobladas o dañadas.	<input type="checkbox"/>	<input type="checkbox"/>
	Inspeccione la carcasa (A) para comprobar que no haya ninguna deformación o fisura u otros desperfectos.	<input type="checkbox"/>	<input type="checkbox"/>
	Inspeccione la placa giratoria (B) y el cáncamo giratorio (C) o el conector integral (D) para comprobar que no haya ninguna deformación, fisura u otros desperfectos. La placa giratoria debe fijarse de forma segura al SRL, pero debe poder pivotar libremente. La argolla giratoria o el conector integral deben girar libremente en la placa giratoria.	<input type="checkbox"/>	<input type="checkbox"/>
	El anticaídas de cincha (E) se debe extraer y retraer por completo sin dificultad y sin que quede flojo.	<input type="checkbox"/>	<input type="checkbox"/>
	Asegúrese de que el SRD se bloquee al tirar bruscamente de la línea de vida. El bloqueo debe ser seguro y sin deslizamiento.	<input type="checkbox"/>	<input type="checkbox"/>
	Todas las etiquetas deben estar presentes y ser completamente legibles (consulte la figura 20).	<input type="checkbox"/>	<input type="checkbox"/>
	Inspeccione todo el SRD para comprobar que no haya señales de corrosión.	<input type="checkbox"/>	<input type="checkbox"/>
Conectores terminales (Figura 19)	En la Tabla 2 se identifican los conectores finales que deben ir incluidos en su modelo de SRL Nano-Lok. Revise todos los mosquetones con cierre automático, mosquetones carabineros, ganchos de resorte, interfaces, etc. para comprobar si muestran signos de daños, corrosión y si están en condiciones apropiadas de uso. Cuando los haya: Los mecanismos de apertura deben abrirse, cerrarse, bloquearse y desbloquearse correctamente, y los botones de bloqueo y los pasadores de bloqueo deben funcionar correctamente.	<input type="checkbox"/>	<input type="checkbox"/>
Anticaídas de cincha (Figura 20)	Revise las cinchas: el material no debe presentar fibras cortadas (A), desgastadas (B) ni rotas. Compruebe que no haya desgarros, abrasiones, suciedad pegada (C), moho, quemaduras (D) ni decoloraciones. Compruebe que las costuras no tengan cortes ni salientes. Las costuras rotas pueden indicar que el arnés ha soportado una carga de impacto grande, por lo no podrá volver a utilizarse.	<input type="checkbox"/>	<input type="checkbox"/>
Absorbedor de energía (Figura 21)	Confirme que el dispositivo de absorción de energía integral no se ha activado. Una cubierta abierta o rasgada (A), la cincha sacada de la cubierta, la cincha rasgada o deshilachada (B), las costuras rotas, etc. son indicativos de que el dispositivo de absorción de energía se ha activado.	<input type="checkbox"/>	<input type="checkbox"/>
Acción correctora/mantenimiento:	Aprobado por:		
	Fecha:		
Acción correctora/mantenimiento:	Aprobado por:		
	Fecha:		
Acción correctora/mantenimiento:	Aprobado por:		
	Fecha:		
Acción correctora/mantenimiento:	Aprobado por:		
	Fecha:		
Acción correctora/mantenimiento:	Aprobado por:		
	Fecha:		
Acción correctora/mantenimiento:	Aprobado por:		
	Fecha:		
Acción correctora/mantenimiento:	Aprobado por:		
	Fecha:		

Enne selle isekeriva trossi (SRD) kasutamist lugege läbi ja tehke endale selgeks kogu käesolevas juhendis kirjeldatud ohutusteave ning järgige seda. SELLE REEGLI EIRAMINE VÕIB PÕHJUSTADA RASKEID VIGASTUSI VÕI SURMA.

Kasutusjuhend tuleb anda varustuse kasutajale. Jätke juhend edasiseks kasutamiseks alles.

Sihtotstarve

See isekeriv tross on mõeldud kasutamiseks osana terviklikust personaalsest kukkumiskaitsesüsteemist.

Ettevõtte 3M ei kiida heaks kasutamist mis tahes teistes rakendustes, sealhulgas materjalikäitluses, vabaaja- või sporditegevustes või teistes käesolevas kasutusjuhendis või paigaldusjuhendis kirjeldamata tegevustes, ning see võib põhjustada raskeid vigastusi või surma.

Vahendit võivad kasutada ainult asjakohase väljaõppe läbinud kasutajad töökeskkonnas.

! HOIATUS

See isekeriv tross on osa personaalsest kukkumiskaitsesüsteemist. Eeldame, et kõik kasutajad läbivad põhjaliku väljaõppe personaalse kukkumiskaitsesüsteemi ohutu paigaldamise ja kasutamise kohta. **Selle vahendi väärkasutus võib põhjustada raskeid vigastusi või surma.** Valimist, kasutamist, paigaldamist, hooldust ja parandamist puudutavad juhised leiata käesolevast kasutusjuhendist ja kõikidest tootja soovitusetest; või pöörduge oma otse ülemuse või ettevõtte 3M Technical Services poole.

- **Selleks, et vähendada SRD-ga töötamisega kaasnevat ohte, mille eiramine võib põhjustada raskeid vigastusi või surma, toimige järgmiselt.**
 - Kontrollige SRD-d enne iga kasutuskorda ning veenduge lukustumise ja isekermise toimimises.
 - Kui kontrollimise käigus selgub, et süsteem on ohtlik või defektne, kõrvaldage vahend kasutusest ja remontige või asendage see vastavalt kasutusjuhendile.
 - Kui SRD-le on rakendunud kukkumis- või löögijõud, tuleb SRD viivitamatult kasutuselt kõrvaldada ja kinnitada vahendile silt „MITTESTABIILNE“.
 - Veenduge, et julgestusköis on vaba kõigist takistustest, sealhulgas liikuvate masinate või seadmete (nt naftapuurtorni ülemine ajam) vahele kinni jäämine, teised töötajad, teie ise, ümbritsevad objektid või löögid pea kohal olevatest objektidest, mis võivad kukkuda julgestustrossi või töötaja peale.
 - Vältige lõtku tekkimist julgestusköies. Julgestusköie sidumine või sõlmimine ei ole lubatud.
 - Kinnitage rakmetele kinnitatud SRD vabad otsad rakmete köiepiduri kinnituste külge (kui need on olemas).
 - Ärge kasutage, kui kukkumistee on blokeeritud. On võimalik, et töötamine aeglaselt paigaltnihkuval materjalil (nagu liiv või kruus) või piiratud või kitsas ruumis ei võimaldada töötajal saavutada SRD lukustumiseks piisavat suurt kiirust. SRD kindlaks lukustumiseks on vajalik vaba teekond.
 - Vältige normaalse töö käigus järske või kiireid liigutusi. See võib põhjustada vahendi lukustumist.
 - Veenduge, et erinevate tootjate valmistatud osadest kokku pandud kukkumisvastane varustus / allsüsteemid ühilduvad ning on kooskõlas kohaldatavate standardite nõuetega, sh standardiga ANSI Z359 või teiste kohalduvate kukkumisvastast kaitset käsitlevate eeskirjade, standardite või nõuetega. Enne vastavate süsteemide kasutamist konsulteerige alati pädeva ja/või kvalifitseeritud töötajaga.
- **Selleks, et vähendada kõrgustes töötamisega kaasnevat ohte, mille eiramine võib põhjustada raskeid vigastusi või surma, toimige järgmiselt.**
 - Veenduge, et teie tervislik ja füüsiline seisund võimaldab teil kõikide kõrgustes töötamisega kaasnevate ohtudega edukalt toime tulla. Kui teil tekib käesoleva vahendi kasutamise suutlikkusega seoses küsimusi, konsulteerige oma arstiga.
 - Ärge kunagi ületage kukkumisvastase varustuse lubatud kandevõimet.
 - Ärge kunagi ületage kukkumisvastase varustuse maksimaalset vabakukkumise kõrgust.
 - Ärge kunagi kasutage kukkumiskaitsevarustust, mis ei läbi kasutuseelset või plaanilist kontrolli või kui tekib kahtlus seadme asjaomase rakenduse jaoks kasutamise või sobivuse suhtes. Küsimuste korral võtke ühendust ettevõttega 3M Technical Services.
 - Mõned süsteemid või komponendid võivad pärssida selle varustuse toimet. Kasutage ainult ühilduvaid ühendusi. Pidage nõu ettevõttega 3M, enne kui kasutate varustust koos komponentide või alamsüsteemidega, mida pole kasutusjuhendis kirjeldatud.
 - Töötades liikuvate masinate (nt naftapuurtorni ülemine ajam) lähedal; keskkonnas, kus tuleb arvestada elektriho, äärmuslike temperatuuride, ohtlike kemikaalide, plahvatusohtlike või mürgiste gaaside, teravate servade või allnimetatud rippuvate materjalidega, mis võivad teile või kukkumisvastasele varustusele peale kukkuda, tuleb olla eriti ettevaatlik.
 - Kasutage kõrge temperatuuriga keskkonnas leegilahvatuse või kuum temperatuuri eest kaitsvaid vahendeid.
 - Vältige kokkupuudet pindade ja objektidega, mis võivad kasutajat või varustust kahjustada.
 - Veenduge, et kõrgustes töötamise korral on kukkumisruum piisav.
 - Ärge modifitseerige ega muutke kukkumisvastast varustust. Antud varustuse remontimine on lubatud ainult 3M-ile või tema poolt kirjalikult volitatud osapooltele.
 - Enne kukkumisvastase varustuse kasutamist veenduge, et on olemas päästekava, mis võimaldab kukkumise korral kiiret päästetegevust teostada.
 - Kukkumise korral võimaldage kukkunud töötajale viivitamatult arstiabi.
 - Ärge kasutage kukkumisvastase varustuse keharihma. Kasutage ainult täisrakmeid.
 - Vähendage võimaliku kukkumisega kaasneva kiikumisliigutuse amplituudi, töötage selleks vahetult nii ankurduspunkti all kui võimalik.
 - Käesoleva vahendi kasutamise väljaõppe läbiviimisel tuleb kasutada täiendavat kukkumisvastast varustust, et kaitsta koolitatavat isikut tahtmatu kukkumise eest.
 - Kasutage varustuse/süsteemi paigaldamisel, kasutamisel või kontrollimisel sobivaid isikukaitsevahendeid.

Enne selle varustuse kasutuselevõtmist kirjutage tehasesildilt välja toote tuvastusandmed, mis on vajalikud käesoleva kasutusjuhendi lõpus toodud ülevaatus- ja hoolduspäeviku täitmiseks.

KIRJELDUS.

Joonisel 2 on näidatud 3M™ DBI-SALA® Nano-Loki automaatplokkide (SRD-de) peamised komponendid. Nano-Lok SRD-d on integreeritud energianeelduriga (B) trumlile keritud julgestuslindid (A), mis kerivad end nailonkorpusesse (C). Korpuse ülaosas olev pöördas (D) võimaldab kinnitada sobiva ankurduspunkti külge karabiiniga (E) või täisrakmete külge, kasutades rakmelukustust (F). Joonisel 1 on näidatud saadaolevad Nano-Loki mudelid ja nende liitelementide konfiguratsioonid. Nano-Loki SRD ja liitelementide spetsifikatsioone vt tabelist 1.

Tabel 1. Spetsifikatsioonid

Komponendi spetsifikatsioonid

SRL-korpused	Nailon
Trummel	Nailon
Sisemised komponendid	Roostevaba teras, alumiinium
Turvarihm	Dyneema polüester
Energianeeldur	Kate: nitrilikummi, lint: polüester, õmblused: polüester- või nailonõmblus
Pöördelament	Tsinkkattega teras

Liitelementide spetsifikatsioonid:

	Kirjeldus	Materjal	Värv	Värava tugevus	Tõmbetugevus
①	Pöördas	Teras	22,35 mm (0,88 tolli) siseläbimõõt	X	22,2 kN (5000 naela)
②	Karabiin	Alumiinium	19 mm (3/4 tolli)	16 kN (3600 naela)	22,2 kN (5000 naela)
③	Karabiin	Teras	19 mm (3/4 tolli)	16 kN (3600 naela)	22,2 kN (5000 naela)
④	Ühekordne SRD-lukustus	Teras	51 mm (2 tolli)	16 kN (3600 naela)	22,2 kN (5000 naela)
⑤	Kahekordne SRD-lukustus	Teras koos nailonliitmikuga	19 mm (3/4 tolli)	16 kN (3600 naela)	22,2 kN (5000 naela)
⑥	Karabiin	Alumiinium, teras	56 mm (2,19 tolli)	16 kN (3600 naela)	22,2 kN (5000 naela)
⑦	Karabiin	Alumiinium	19 mm (3/4 tolli)	16 kN (3600 naela)	22,2 kN (5000 naela)
⑧	Konks	Alumiinium	57 mm (2-1/4 tolli)	16 kN (3600 naela)	22,2 kN (5000 naela)
⑨	Konks	Alumiinium	63 mm (2-1/2 tolli)	16 kN (3600 naela)	22,2 kN (5000 naela)
⑩	Karabiin	Alumiinium	52 mm (2 tolli)	16 kN (3600 naela)	22,2 kN (5000 naela)
⑪	Konks	Alumiinium, teras	63 mm (2-1/2 tolli)	16 kN (3600 naela)	22,2 kN (5000 naela)
⑫	Karabiin	Teras	19 mm (3/4 tolli)	16 kN (3600 naela)	22,2 kN (5000 naela)
⑬	Konks	Alumiinium	57 mm (2-1/4 tolli)	16 kN (3600 naela)	22,2 kN (5000 naela)
⑭	Iselukustuv konks	Teras	19 mm (3/4 tolli)	16 kN (3600 naela)	22,2 kN (5000 naela)

Jõudluse näitajad

SRL-i spetsifikatsioonid (vertikaalne)	EÜ mudelid	
Kandevõime	59...100 kg (130...220 naela)	100...140 kg (220...310 naela)
Maksimaalne pidurdusjõud	6 kN (1350 naela)	6 kN (1350 naela)
Keskmine pidurdusjõud	4 kN (900 naela)	4 kN (900 naela)
Max nimipidurduskaugus¹	0,61 m (24 tolli)	0,61 m (24 tolli)
Min nõutud kukumisruum¹	1,5 m (5 jalga)	1,8 m (5,8 jalga)
Max vabakukkumine²	1,5 m (5 jalga)	1,5 m (5 jalga)

1 - eeldatud on, et SRL on paigaldatud otse lõppkasutaja pea kohale.

2 - mõõdetuna kasutaja D-rõngast kõndimis-/tööpinnani. Üksikasju vt kukumisruumi tabeli(te)st.

1.0 RAKENDUSED

- 1.1 EESMÄRK:** Isekerivad trossid (SRD-d) on mõeldud osaks personaalsetest kukkumiskaitsevahenditest (PFAS). Joonisel 1 on kujutatud SRD-mudelid, mida käesolev kasutusjuhend käsitleb. Neid saab rakendada enamikus olukordades, mis nõuavad samal ajal töötaja liikuvuse ja kukkumiskaitse tagamist (nt ülevaatused, üldehitus, hooldustööd, naftatööstus, töötamine piiratud ruumis jne).
- 1.2 STANDARDID:** Käesolev SRD vastab riiklikele või piirkonna standarditele, mis on ära toodud kasutusjuhendi esikaanel. Kukkumiskaitsevahendeid puudutavat lisateavet vt kohalikest ja riiklikest töötervishoiu ja tööohutuse (OSHA) nõuetest, mis käsitlevad tööohutust.
- 1.3 VÄLJAÕPE:** See varustus on mõeldud kasutamiseks töötajatele, kes on saanud varustuse nõuetekohaseks kasutamiseks vajaliku koolituse. Kasutaja kohustus on tagada, et ta on endale kasutusjuhised selgeks teinud ja on saanud varustuse nõuetekohaseks kasutamiseks vajaliku koolituse. Ühtlasi tuleb kasutajatel järgida varustuse funktsioone iseloomustavaid näitajaid, kasutuspiiranguid ja viia ennast kurssi varustuse väärkasutamisega kaasnevate tagajärgedega.
- 1.4 PIIRANGUD:** Varustuse paigaldamisel või kasutamisel tuleb alati järgida järgmisi piiranguid:

- **Kandevõime:** SRD-d on mõeldud kasutamiseks ühe inimese poolt, kelle koguraskus (koos rõivaste, tööriistade jm sellisega) ei ületa tabelis 1 toodud *kandevõime vahemikku*. Veenduge, et kõik süsteemi komponendid on teie rakenduse jaoks sobiva kandevõimega.
- **Ankurdus:** SRD jaoks mõeldud ankurduselement peab olema koormustaluvusega kuni 12 kN (1224 kg). Ankurdusseadmed peavad vastama standardile EN795 vm asjakohasele ankurdusliitmiku standardile.
- **Lukustuskiirus:** Töötamine oludes, kus kukkumisteele võib jääda takistusi, ei ole lubatud. Töötamisel piiratud või kitsastes ruumides või kaldpinnal ei tarvitse keha saavutada kukkumise korral SRD lukustumist põhjustavat kiirust. Kui töötatakse aeglaselt paigaltnihkuval materjalil, nagu näiteks liival või killustikul, ei tarvitse kiirus tõusta piisavalt, et SRD lukustuks. SRD kindlaks lukustumiseks on vajalik vaba teekond.
- **Vabakukkumine:** Peast kõrgemal ankurdumise korral piiravad SRD-d vabakukkumise vahemaaks 0,6 m (2 jalga)¹. Pika kukkumisteede vältimiseks ankurdage SRD vahetult töökõrguse kohale. Ärge kinnitage SRD-d kunagi ankurduspunkti, mille puhul oleks kukkumiskõrgus suurem kui 1,5 m (5 jalga). Vältige töötamist kohas, kus on oht julgestusköie ristumiseks või takerdumiseks mõne teise töötaja julgestusköiega. Vältige töötamist kohas, kus on oht esemete kukkumiseks julgestusköiele, millega kaasneb tasakaalu kadumine või julgestusköie kahjustamine. Mitte suunata julgestusköit käe alt või jalgade vahelt läbi. Mitte mingil juhul ei ole lubatud piirata julgestusköie kokkukerimise klambriga, sõlmega või ükskõik millisel muul moel. Vältige lõtku tekkimist julgestusköies. **SRD-sid ei tohi pikendada rihmade liitmise teel ilma 3M-iga konsulteerimata.**
- **Kiikuv kukkumine:** Kiikuv kukkumine toimub juhul, kui ankurduspunkt ei paikne võimaliku kukkumise korral vahetult töötaja kohal. Kiikuv kukkumisel mõne objekti vastu pörkamine võib tuua kaasa raske kehavigastuse (vt joonis 3A). Vähendage võimaliku kukkumisega kaasneva kiikumisliigutuse amplituudi, töötage selleks vahetult nii ankurduspunkti all kui võimalik (joonis 3B). Kui töötada ankurduspunktist eemal (joonis 3C), suureneb kiikuva kukkumise mõju ja seeläbi ka nõutud kukkumisruum (FC).
- **Kukkumisruum:** Joonisel 3B on näidatud kukkumisruumi arvutus. Kukkumisruum (FC) on vabakukkumise (FF), pidurdusmaa (DD) ja ohutusteguri (SF) summa: $FC = FF + DD + SF$. Ohutustegur sisaldab D-rõnga libisemise ja rakmete venimise mõju. Kukkumisruumi väärtuste tabeli leiata jooniselt 4. Joonisel 4 toodud väärtuste puhul kasutati 1 m (3,28 jalga) ohutustegurit.

Joonisel 4 on näidatud kukkumisruum (FC), mis põhineb seljaosa SRD-ühenduse ja ankurduspunkti horisontaalsel (H) ja vertikaalsel (V) vahekaugusel. Tabeli horisontaalsed ruudustikujooned näitavad vertikaalset kaugust ankurduspunktist. Tabeli vertikaalsed ruudustikujooned näitavad horisontaalset kaugust ankurduspunktist. Kukkumisruumi väärtuse (FC) määrab tsoon (paraboolsed jooned), kus horisontaalsed (H) ja vertikaalsed (V) ruudustikujooned ristuvad. Joonisel 4 toodud näide näitab, kuidas selgitada välja kukkumisruumi väärtus (FC) nimetatud vertikaalse (V) ja horisontaalse (H) vahekauguse korral.

Muutuavad ankurduspunktid: Joonisel 4 toodud kukkumisruumi väärtused põhinevad jäigal ja statsionaarsel ankurduspunktil. Joonisel 4 toodud kukkumisruumi väärtused ei kehti, kui ankurdada horisontaalse turvatrossi (HLL) või kukkumise korral liikuda, libiseda või deformeeruda võiva ankurduspunkti külge. Nõutud kukkumisruumiga, kõrvalekalletega ja/või deformeerumisega seotud üksikasju vt HLL-i juhendist.

Põlvitamine või kükitamine: Joonisel 4 toodud kukkumisruumi tabelid põhinevad sellel, et tööline on seisvas asendis. Põlvili oleva või kükitava tööasendi korral on vajalik suurendada kukkumisruumi lisaks 0,9 mm (3 jalga) võrra.

Mitte kunagi ei tohi ankurdada jalgade kõrgusest madalamal: Ärge ühendage kunagi ankurduspunktiga, mis on jalgadest madalamal.

- **Ohud:** Selle varustuse kasutamine objektidel, kus varitseb võimalikke ümbritsevaid ohtusid, nõuab lisatähelepanu, et vältida töötaja vigastamist või varustuse kahjustamist võimaliku kukkumise korral. Ohuallikateks on muu hulgas kõrge kuumus, söövitavate omadustega kemikaalid, korrodeeriv keskkond, kõrgepingeliinid, plahvatusohtlikud või mürgised gaasid, liikuv tehnika või kuumutatud materjalid, mis võivad sattuda kontakti kasutaja või kukkumiskaitesüsteemiga. Vältige töötamist kohas, kus on oht julgestusköie ristumiseks või takerdumiseks mõne teise töötaja julgestusköiega. Vältige töötamist kohas, kus on oht esemete kukkumiseks julgestusköiele, millega kaasneb tasakaalu kadumine või julgestusköie kahjustamine. Mitte suunata julgestusköit käe alt või jalgade vahelt läbi.
- **Teravad servad:** Teravad servad, mille vastu SRD-julgestusköis võib kukkumise ajal puutuda, peavad olema minimaalselt 0,3 cm (0,125 tolli) raadiusega. Juhul kui kokkupuude teravate servadega esemetega on vältimatu, katke serv kaitsekattega.

2.0 Süsteemi kasutamine

1 Vabakukkumine: Vabakukkumine on kõrvaldatud, kui SRD on õigesti paigaldatud ja kasutaja töötab otse ankurduspunkti all ning julgestusköies pole lõtku jäetud. Sobivaid ankurduspunkte vt jooniselt 4.

- 2.1 KUKKUMISKAITSE- JA PÄÄSTEPLAAN:** Tööandjal peab olema kukkumiskaitse- ja päästeplaan. Plaan peaks sisaldama juhtnõore ja nõudeid, mis puudutavad tööandja kukkumiskaitseprogrammi, sh reegleid, kohustusi ja väljaõpet; kukkumiskaitse protseduure; kukkumisohtude kõrvaldamist ja ohjamist; pääste protseduure; juhtumite uurimist; ning programmi tõhususe hindamist.
- 2.2 ÜLEVAATUSSAGEDUS:** SRD-sid peab kontrollima volitatud isik¹ või päästja² enne iga kasutuskorda (vt tabel 3). Lisatingimus on see, et ülevaatusi peab teostama pädev isik,³ kes pole kasutaja ise. Töötamine rasketes oludes (karmid tingimused, pikaajaline kasutamine jne) nõuavad sagedasemat ülevaatust selleks pädeva isiku poolt. Pädev isik peab kasutama sobivate ülevaatusintervallide määramiseks *ülevaatus graafikut (tabel 2)*. Ülevaatus protseduuri on kirjeldatud lõigus *Ülevaatus- ja hoolduse päevik (tabel 3)*. Iga pädeva isiku kontrolli tulemused tuleks dokumenteerida *ülevaatus- ja hoolduspäevikuga* või neid tuleks jälgida raadiosagedustuvastuse (RFID) süsteemiga (vt *lõiku 5*).
- 2.3 TÖÖTAMINE TAVATINGIMUSTES:** Tavatingimustes töötamine võimaldab julgestusköit välja tõmmata ja sellel end kokku kerida ilma takerdusteta ning lõtku tekkimiseta juhul, kui töötaja liigub ringi tavakiirusel. Kukkumise korral aktiveerub kiirspõhine pidurdussüsteem, mis peatab kukkumise ja neelab suure osa kukkumisel tekkivast energiast. Töötamisel tavatingimustes tuleb vältida järseid ja kiireid liigutusi, mis võivad põhjustada SRD lukustumise. Kukkumiste puhuks, mis võivad ette tulla julgestusköie käiguosa lõpu lähedal, sisaldab see varustus kukkumise pidurdamiseks julgestusköie reservosa või energianeeldurit.
- 2.4 KEHA TOESTAMINE:** Isekeriva trossiga (SRD) tuleb kasutada täisrakmeid. Rakmete liitepunkt peab paiknema kasutaja raskuskeskme kohal. Keharihma kasutamine koos isekeriva trossiga pole lubatud. Juhul kui keharihma kasutamisel peaks toimuma kukkumine, võib keha vale toetuse tõttu kaasneda sellega kehavigastus.
- 2.5 ÜHILDUVAD ELEMENTID:** Kui pole just teisiti välja toodud, on ettevõtte 3M varustus mõeldud kasutamiseks ainult ettevõtte 3M heakskiidetud komponentide ja alamsüsteemidega. Elementide asendamine või väljavahetamine kinnitust mitteomavate elementide või alamsüsteemide vastu seab ohtu varustuse ühilduvuse ja vähendab terve süsteemi ohutust ning töökindlust.
- 2.6 LIITMIKE ÜHILDUVUS:** Liitmikud on mõeldud ühilduma ühendusdetailidega juhul, kui need on koos toimimiseks välja töötatud nii, et nende mõõtmed ja vormid ei põhjusta liitmike värvamehhanismide soovimatut avanemist hoolimata sellest, kuidas need on suunatud. Juhul kui teil tekib küsimusi ühilduvuse kohta, võtke ühendust ettevõttega 3M. Liitelemendid (haagid, karabiinid ja D-rõngad) peavad taluma vähemalt 22,2 kN (2264 kg). Liitmikud peavad ühilduma ankurdussüsteemide ja süsteemi muude elementidega. Mitteühilduvat varustust mitte kasutada. Mitteühilduvad liitmikud võivad kinnitusest ootamatult lahti tulla (vt joonis 5). Liitmikud peavad ühilduma oma mõõtmete, kuju ja tugevusomaduste poolest. Kasutatavad konksud ja karabiinid peavad olema iselukustuvad. Juhul kui ühenduselement, mille külge kinnitatakse iselukustuv konks või karabiin, on liiga väiksemõõduline või ebasobiva kujuga, võib ette tulla olukordi, kus liitelemendi avaldatav jõud rakendub iselukustuva konksu või karabiini värvale (A). Selliselt mõjuv jõud võib põhjustada värvava avanemise (B), mille tagajärjeks on iselukustuva konksu või karabiini irdumine ühenduspunkti (C).
- 2.7 ÜHENDUSTE TEGEMINE:** Selle varustusega kasutatavad konksud ja karabiinid peavad olema iselukustuvad. Veenduge, et kõik liitmikud ühilduksid omavahel nii mõõtmete, kuju kui ka tugevusomaduste poolest. Mitteühilduvat varustust mitte kasutada. Veenduge selles, et kõik liitmikud oleks korrektselt sulgunud ja lukustunud. Ettevõtte 3M liitmikud (vedruhaagid ja karabiinid) on mõeldud kasutamiseks üksnes vastava toote kasutusjuhendis kirjeldatud viisil. Joonisel 6 on kujutatud näiteid ebakorrektselt tehtud ühendustest.

Mitte ühendada iselukustuvaid konkse ja karabiine:

- D-rõngaga, mille külge on kinnitatud teine liiteelement.
- Värvale koormust avaldaval viisil. Suure avaga iselukustuvaid konkse ei tohiks ühendada standardmõõdus D-rõngastega ega sarnaste objektidega, mis põhjustaks koormust värvale, kui konks või D-rõngas pöörleb või, kui iselukustuval konksul pole just 16 kN (1631 kg) värvavat.
- Võltskinnituse, mille puhul liiteelementide suurus või kuju ei sobi kokku ja ilma visuaalse vaatluseta tundub, et liitelemendid on korralikult ühendatud.
- Teineteise külge.
- Vahetult lindi, köie või otsariba külge (välja arvatud juhul, kui nii rihma kui ka liitmiku tootja juhised lubavad selgesõnaliselt sellist liidet teha).
- Mitte ühegi sellise eseme külge, mille kuju või mõõtmed ei võimalda iselukustuval konksul või karabiinil täielikult sulguda ja lukustada või millega kaasneb oht ühenduse lahtijooksmiseks.
- Liitmikku koormuse all valesse asendisse sundival viisil.

Tabel 2. Ülevaatus graafik

Kasutuse tüüp	Kasutuse näited	Kasutustingimused	Ülevaatussagedus
			Ülevaatusõiguseks pädev isik
Harv või kerge	Pääste ja piiratud ruum, hooldustööd tehases	Head hoiutingimused, kasutus sisetingimustes või harv kasutus välitingimustes, toatemperatuuril, puhas keskkond	Kord aastas
Mõõdukas kuni raske	Transport, elumajade ehitus, kommunaaltööd, ladu	Rahuldavad hoiutingimused, kasutus sisetingimustes ja pikemalt välitingimustes, kõik temperatuurid, puhas või tolmune keskkond	Üks või kaks korda aastas
Raske kuni pidev	Tööstushoonete ehitus, nafta- ja gaasitööstus, kaevandused	Karmid hoiutingimused, pikaajaline või pidev kasutus välitingimustes, kõik temperatuurid, must keskkond	Kaks kuni neli korda aastas

1 Volitatud isik: töötaja määratud isik, kellel on õigus teha tööd kohas, kus inimene puutub kokku kukkumisohtuga.

2 Päästja: isik või isikud peale päästetava isiku, kes kasutab päästesüsteemi, et päästa inimest.

3 Ülevaatusõiguseks pädev isik: tööandja määratud isik, kes vastutab tööandja kukkumiskaitseprogrammi juhtimise, juurutamise ja jälgimise eest ning on tänu asjakohasele väljaõppele ja teadmistele suuteline olemasolevaid ja potentsiaalseid kukkumisohte tuvastama, hindama ja nendega tegelema ning, kellel on tööandja voli võtta kiireid parandusmeetmeid selliste ohtude lahendamiseks.

3.0 Paigaldus

- 3.1 KAVANDAMINE.** Enne töö alustamist tuleb kukkumiskaitsevahendite kasutamine hoolikalt läbi mõelda. Kõikide võimalike asjaolude ettenägemisest sõltub teie turvalisus enne kukkumist, kukkumise ajal ja pärast kukkumist. Järgige kõiki lõigus 2 kirjeldatud nõudeid ja piiranguid.

Enamiku rakenduste korral on Nano-Lok SRD kinnitav ankurduspunkti või rakmete seljaalale. Mõlemad variandid on lubatud, välja arvatud lõigus 4 kirjeldatud juhtudel

- 3.2 ANKURDUS.** Joonisel 7 on kujutatud SRD tüüpilised ankurdamisvõimalused. Valige ankurdus nii, et vabakukkumine ja kiikumisruum jääks vähim võimalik (vt lõik 1). Valige jäik ankurduspunkt, mis on piisavalt tugev lõigus 1 nimetatud konkreetse staatilise koormuse jaoks. Juhul kui ankurdus peast kõrgemal pole võimalik, saab Nano-Lok SRD kinnitada ankurduspunkti külge seljaosa D-rõngast madalamal. Üle 140 kg (310 naela) kaaluva kasutaja korral ei või ankurduspunkt paikneda seljaosa D-rõngast madalamal kui 1,5 m (5 jalga).

- 3.3 RAKMETE ÜHENDAMINE.** Mõnedel SRD-mudelitel on SRD-de kinnitamiseks täisturvarakmetele vahetult seljaosa D-rõnga alla ühekordne SRD-rakmelukustus või kahekordne SRD-rakmelukustus:

Mõnedel täisrakmetel on personaalne SRD-silmus (PSRL-silmus), mis integreerib seljaosa D-rõnga kinnituselementidega, mida kasutatakse rakmetele kinnititava automaatploki jaoks (joonis 8). Ühtlasi on lubatud SRD kinnitamine rakmete seljaosa D-rõngaga karabiini või iselukustuva konksuga.

- **Üksiku SRD kinnitamine rakmete külge.** Kui töötaja liikuvus on oluline, saab kasutada SRD-rakmelukustust, et kinnitada SRD täisrakmete seljale vahetult seljaosa D-rõnga alla (vt jn 9). Töötajal osutub seeläbi võimalikuks kasutada SRD-lindi otsa abil erinevaid ankurduspunkte objektil vajaduseta SRD-d iga kord ümber paigaldada. Tegutsege järgmiselt, et kinnitada SRD täisrakmetele, kasutades SRD-rakmelukustust.
 1. **Laske rakmerihmad lõdvaks.** Tõmmake tekstiilrihmast (A) kohast, kus need kulgevad seljaosa D-rõnga (B) alt läbi, kuni tekib piisavalt ruumi SRD-rakmelukustuse libistamiseks tekstiilrihmade ja D-rõnga tahvli vahele.
 2. **Avage rakmelukustus.** Vajutage ühel ajal lukustusnuppudele (C) ja tõmmake lukustuspulk (D) välja.
 3. **Paigutage SRD rakmelukustusse.** Sisestage rakmelukustuse avatud värav läbi SRD (E) pöördasa. Siduge rakmelukustus läbi pöördasade, et SRD ripuks rakmelukustuse (F) põhitoe küljest.
 4. **Paigaldage rakmelukustus ümber tekstiilrihmade.** Paigutage rakmelukustuse avatud värav ümber vabade tekstiilrihmade (A).
 5. **Sulgege rakmelukustus.** Vajutage rakmelukustuse lukustuspulk (D) läbi vabade tekstiilrihmade (A), kuni see lukustub oma kohale rakmelukustuse vastaspoolel. Tõmmake rakmelukustuse kinnitamiseks tekstiilrihmad läbi seljaosa D-rõnga ja seljatahvli oma kohale kinni.

Juhul kui punane riba lukustuspulga rakmelukustuse nupu otsas paistab, ei ole rakmelukustus korrektselt sulgunud. Kinnituse soovimatu lahtituleku vältimiseks veenduge alati enne rakmete kasutamist rakmelukustuse korrektses lukustumises ja kinnituses SRD-ga. Selle reegli eiramine võib lõppeda tõsiste vigastuste või surmaga.

- **Kahe SRD kinnitamine rakmete külge.** Täielikuks julgestuseks ronimist eeldavatel objektidel saab kasutada SRD-rakmelukustust, et kinnitada kaks SRD-d kõrvuti täisrakmete taha vahetult seljaosa D-rõnga alla (vt jn 10). Tegutsege järgmiselt, et kinnitada kaks SRD-d täisrakmetele, kasutades SRD-rakmelukustust.
 1. **Laske rakmerihmad lõdvaks.** Tõmmake tekstiilrihmast (A) kohast, kus need kulgevad seljaosa D-rõnga (B) alt läbi, kuni tekib piisavalt ruumi SRD-rakmelukustuse libistamiseks tekstiilrihmade ja D-rõnga tahvli vahele.
 2. **Avage rakmelukustus.** Vajutage ühel ajal lukustusnuppudele (C) ja tõmmake lukustuspulk (D) välja.
 3. **Paigutage SRD-d rakmelukustusse.** Sisestage rakmelukustuse avatud värav läbi kummagi SRD (E) pöördasa. Siduge rakmelukustus läbi pöördasade, et SRD-d ripuks rakmelukustuse (F) põhitoe küljest.
 4. **Paigaldage rakmelukustus ümber tekstiilrihmade.** Paigutage rakmelukustuse avatud värav ümber vabade tekstiilrihmade (A).
 5. **Sulgege rakmelukustus.** Vajutage rakmelukustuse lukustuspulk (D) läbi vabade tekstiilrihmade (A), kuni see lukustub oma kohale rakmelukustuse vastaspoolel. Tõmmake rakmelukustuse kinnitamiseks tekstiilrihmad läbi seljaosa D-rõnga ja seljatahvli oma kohale kinni.

Juhul kui punane riba lukustuspulga rakmelukustuse nupu otsas paistab, ei ole rakmelukustus korrektselt sulgunud. Kinnituse soovimatu lahtituleku vältimiseks veenduge alati enne rakmete kasutamist rakmelukustuse korrektses lukustumises ja kinnituses SRD-ga. Selle reegli eiramine võib lõppeda tõsiste vigastuste või surmaga.

- **Kahe SRD kinnitamine fikseeritud D-rõngaga rakmete külge.** Vanemat tüüpi, fikseeritud D-rõngaga ExoFiti rakmed eeldavad spetsiaalse SRD-rakmelukustuse kasutamist kahe SRD kinnitamiseks rakmete tagaosaga vahetult seljaosa D-rõnga alla. Tegutsege järgmiselt, et ühendada kaks SRD-d ExoFiti täisrakmetega, kasutades fikseeritud D-rõngaga SRD-rakmelukustust (vt jn 10).
 1. **Laske rakmerihmad lõdvaks.** Tõmmake tekstiilrihmast (A) kohast, kus need kulgevad seljaosa D-rõnga (B) alt läbi, kuni tekib piisavalt ruumi kahekordse SRD-rakmelukustuse sisestamiseks tekstiilrihmade ja seljatahveli vahele.
 2. **Avage rakmelukustus.** Asetage SRD-rakmelukustus nii, nagu seda on kujutatud illustratsioonil, lükake lukustushülss (C) paremale ja pöörake seejärel päripäeva, et avada värav (D). Avamiseks lükake värav (D) alla.
 3. **Ühendage esimene SRD rakmelukustusse.** Viige liitmiku (E) nina läbi SRD-I paikneva pöördasa (F), seejärel pöörake SRD ümber liitmiku (G) väravapoolse otsa. Värav suletakse, et tekitada pöördasaale vahe värava ja liitmiku samba vahele.
 4. **Paigaldage rakmelukustus ümber tekstiilrihmade.** Sisestage liitmiku nina (E) tekstiilrihmade (A) taha. Pöörake liitnik tekstiilrihmade taha nii, et liitnik ümbritseb tekstiilrihmasid.
 5. **Kinnitage teine SRD rakmelukustusse.** Libistage SRD-pöördas (F) üle liitmiku nina (E) ja paigutage SRD-pöördas liitmiku ninapoolsesse otsa.
 6. **Sulgege rakmelukustus.** Laske väraval (D) sulguda ja lukustushülsil (C) tagasi lukustatud asendisse liikuda. Pärast rakmelukustuse sulgemist tõmmake tekstiilrihmad (A) tagasi läbi seljaosa D-rõnga, et rihmad pingutada, ja kinnitage rakmete liitnik tekstiilrihmade ja seljatahveli vahele.
- **3M® DBI-SALA® kaksikkarabiiniga.** 3M® DBI-SALA® kaksikkarabiiniga versioon võimaldab kinnitada kaks Nano-Loki SRD-d kõrvuti täisrakmete taha vahetult seljaosa D-rõnga alla (vt jn 12). Tegutsege järgmiselt, et kinnitada kaks Nano-Loki SRD-d täisrakmete külge, kasutades kaksikkarabiini.
 1. **Laske rakmerihmad lõdvaks.** Tõmmake tekstiilrihmast (A) kohast, kus need kulgevad seljaosa D-rõnga (B) alt läbi, kuni tekib piisavalt ruumi kaheharulise lukustuse libistamiseks tekstiilrihmade ja D-rõnga tahveli vahele.
 2. **Avage kaksikkarabiin.** Klambrite (D) lahtiühendamiseks liitnikust tõmmake liitmiku ühendus (C) üles, seejärel pöörake liitmiku ühendust värava kinnitamiseks üles. Liitmiku avamiseks lükake väravat (E) sissepoole.
 3. **Kinnitage esimene Nano-Lok SRD kaksikkarabiini külge.** Viige liitmiku (F) nina läbi SRL-il paikneva pöördasa (G), seejärel pöörake SRL-i ümber liitmiku (H) väravapoolse otsa. Pöördasaale vahe tekitamiseks värava ja liitmiku samba vahele pööratakse pöördasa nina poole.
 4. **Paigutage kaksikkarabiin ümber tekstiilrihmade.** Värav ülespoole suunatuna, sisestage liitmiku nina (F) tekstiilrihmade (A) taha. Pöörake liitnik tekstiilrihmade taha nii, et liitnik ümbritseb tekstiilrihmasid.
 5. **Lisage teine Nano-Lok SRD kaksikkarabiini külge.** Libistage SRL-i pöördas (G) üle liitmiku nina (F) ja paigutage SRL-i pöördas liitmiku (I) ninapoolsesse otsa. Pange värav (E) kinni.
 6. **Sulgege kaksikkarabiin.** Pöörake liitmiku ühendus (C) ettepoole nii, et klambrid (D) lukustuvad liitnikule. Korrekse sulgemise korral kulgevad tekstiilrihmad läbi pilu (J) liitmiku ühenduse peal ja SRL-i pöördasad peavad olema kinnitunud orvadesse (K) mõlemal pool ühenduse liitnikku. Pärast rakmelukustuse sulgemist tõmmake tekstiilrihmad (A) tagasi läbi seljaosa D-rõnga ja D-rõnga tahveli rihmade pingutamiseks ning kinnitage liitnik tekstiilrihmade ja D-rõnga tahveli vahele.
- **3M® DBI-SALA® lukustuspulgaga kaksikkarabiiniga.** Seda rakmekinnitust saab kasutada ühe Nano-Loki SRL-i või kahe Nano-Loki SRL-i kinnitamiseks ronimist nõudvates rakendustes (vt jn 11), kus täisjulgestus on nõutud.
 1. **Laske rakmerihmad lõdvaks.** Tõmmake tekstiilrihmast (A) kohast, kus need kulgevad seljaosa D-rõnga (B) alt läbi, kuni tekib piisavalt ruumi kaheharulise lukustuse libistamiseks tekstiilrihmade ja D-rõnga tahveli vahele.
 2. **Üksiku SRL-iga konfiguratsioon.** Asetage ühe SRL-i pöördas keskele vahesse.
 3. **Kahe SRL-iga konfiguratsioon.** Asetage ühe SRL-i pöördas vahesse, mis on pulgale kõige lähemal ja teine SRL vahesse, mis on pulgast kõige kaugemal.
 4. Libistage pulka tagasi, kuni kuulete klõpsu. Pulk peaks olema kindlalt paigale lukustatud.
 5. Vajutage samaaegselt kahte nuppu liitmiku rakmepoolse otsal, kui libistate pulka välja. Selle pulga väljalibistamine loob avatud vahe.
 6. Tõmmake seljaosa D-rõnga all olevatesse rakmerihmadesse väike lõtk. Paigutage liitmiku rakmepoolne ots D-rõnga alla.
 7. Libistage pulka tagasi oma kohale, kuni kuulete klõpsu, ja veenduge, et pulk on rakmerihmade mõlema kihi taga. Pulk peaks olema kindlalt paigale lukustatud.

4.0 KASUTAMINE

Esmakordselt või harva automaattplokk (SRD-sid) kasutavad isikud peaksid enne SRD kasutamist lugema läbi käesoleva juhendi alguses oleva lõigu „Ohutusteave“.

- 4.1 ENNE IGA KASUTUSKORDA.** Iga kord enne turvavarustuse kasutamist kontrollige hoolikalt üle selle korrasolek. Veenduge, et selle elemendid ei ole kahjustatud ega kulunud. Veenduge selles, et kõik poldid on oma kohal ja korralikult pingutatud. Kontrollige, kas julgestusköie tagasikerimine toimib tõrgeteta, tõmmake selleks köit välja ja laske sellel siis tagasi kokku joosta. Väikseimagi kahtluse korral köie kokkukerimissüsteemi funktsioonide toimivuses tuleb see kasutusest kõrvaldada ja hävitada. Veenduge, et köiel puuduvad lõikejäljed, et köis ei narmenda, et köiel pole põletuskahjustusi, muljumis- ega korrosioonijälgi. Kontrollige lukustuse toimivust järsult köiest tõmmates. Ülevaatus- üksikasju vt ülevaatus- ja hoolduspäevikust (tabel 3). Kontrollimise käigus leitud puuduste korral varustust mitte kasutada.

- 4.2 PÄRAST KUKKUMIST.** Varustus, mis on rakendunud kukkumise peatamiseks või millel on kukkumist peatavat funktsiooni pärssida võivad defekte, nii nagu seda on kirjeldatud tabelis 3, tuleb viivitamatult kasutusest kõrvaldada ja hävitada.
- 4.3 KEHA TOESTAMINE.** SRD-de kasutamisel on vajalik täisrakmete kasutamine. Kukkumiskaitsevahendid kinnitatakse seljaosa (dorsaalsete) D-rõngale.
- 4.4 ÜHENDUSTE TEGEMINE.** Joonisel 5 on kujutatud SRD kukkumiskaitse süsteemide rakme- ja ankrühendused. Kui kasutate ühendamiseks konksu, veenduge väljarullimise toimimises (vt joonis 5). Ümber kinnituselemendi tervenisti mittesulguvate konksude või liitmike kasutamine ei ole lubatud. Mittelukustuvate karabiinide kasutamine ei ole lubatud. Ankurduse kandevõime peab vastama tabelis 2 nimetatud nõuetele. Järgida iga elemendi tootja kasutusjuhendis toodud juhiseid.
- 4.5 KASUTAMINE.** Enne kasutamist osutub vajalikuks SRD kontrollimine tabelis 3 kirjeldatud meetodil. Joonisel 14 on kujutatud SRD rakenduste tüüpilised ühendusviisid. Kinnitage SRD sobivasse ankurduspunkti või kinnitage SRD täisrakmete taha nii, nagu seda on kirjeldatud lõigus 3. Ankurduspunkti kinnitatud SRD korral ühendage koormusindikaatori konks (D) või karabiin täisrakmete seljaosa D-rõngaga (A). Rakmetele kinnitatud SRD korral ühendage konks (D) või karabiin sobivasse ankurduspunkti. Veenduge, et kinnitused ühtivad omavahel nii mõõtmete, kuju kui ka tugevuse poolest. Veenduge, et konksud on korrektselt sulgunud ja lukustunud. Pärast varustuse kinnitamist võib töötaja soovitud tööpiirkonnas vabalt normaalsel kiirusel liikuda. Võimaliku kukkumise korral SRD lukustub ja peatab kukkumise. Kukkumise järel tuleb SRD kasutusest kõrvaldada. SRD-ga töötamisel võimaldage alati julgestusköie kontrollitud kokkukerimine tagasi seadmesse.
- 4.6 TÄISJULGESTUSEGA KAHEKORDNE SRD-LUKUSTUS.** Kahe SRD ühendamisel täisrakmete taha kõrvuti osutub võimalikuks SRD-kukkumiskaitse süsteemi kasutamine täisjulgestusena töusmiseks, laskumiseks või külgsuunaliseks liikumiseks (vt jn 15). Esimese SRD-turvarihma kinnitamise korral ühte ankurduspunkti võib töötaja liikuda uude asukohta, kinnitada teise SRD-turvarihma, mis on vaba, teise ankurduspunkti ning seejärel algse ankurduspunkti lahti ühendada. Seda operatsiooni korratakse kuni töötaja soovitud sihtpunkti jõudmiseni. Täisjulgestusega kahekordse SRD kasutamisel tuleb silmas pidada järgmist:
- Mitte mingil juhul ei ole lubatud kahe SRD-turvarihma kinnitamine samasse ankurduspunkti (vt jn 16A).
 - Enam kui ühe liitmiku ühendamise samasse ankurduspunkti (rõngas või aas) vähendab liitmike omavahelise mõju tõttu kinnituse tõhusust ega ole soovitatav.
 - SRD mõlema turvarihma kinnitamine erinevatesse ankurduspunktidesse on lubatud (vt jn 16B).
 - Iga kinnituse koormustaluvus peab olema vähemalt 10 kN (2248 naela), muidu tuleb ette näha mõni muu süsteem, nagu näiteks horisontaalne julgestusköis.
 - Mitte mingil juhul ei ole lubatud rohkem kui ühe inimese samaaegne kinnitamine kaksikkinnitusega SRD-süsteemiga (vt jn 16C).
 - Turvarihmad ei tohi sõlme minna ega põimuda, sest see takistab kokkukerimissüsteemi funktsioneerimist.
 - Turvarihmad ei tohi kasutamisel olla käe alt ega jalgade vahelt läbi suunatud.
- 4.7 KAHE SRD KINNITAMINE SELJAOSA D-RÕNGAGA.** Kolmesammulise karabiiniga mudelid saab kinnitada seljaosa D-rõnga külge kaksikkonfiguratsioonis. Tegutsege järgmiselt, et kinnitada kaks SRD-d rakmete seljaosa D-rõnga külge (vt jn 13).
1. **Avage kolmesammuline karabiin.** Hoidke kolmesammulist karabiini, nagu näidatud illustratsioonil, ja lükake lukustushülssi (C) paremale ja keerake seejärel päripäeva, et värav (D) avada. Avamiseks lükake värav (D) alla.
 2. **Kinnitage esimene SRD kolmesammulise karabiini külge.** Viige liitmiku (E) nina läbi SRD-I paikneva pöördasa (F), seejärel pöörake SRD ümber liitmiku (G) väravapoolse otsa. Värav suletakse, et tekitada pöördasaale vahe värava ja liitmiku samba vahele.
 3. **Lisage teine SRD kolmesammulise karabiini külge.** Libistage SRD pöördasa (F) üle liitmiku nina (E).
 4. **Siduge kolmesammuline karabiin läbi D-rõnga.** Sisestage liitmiku (E) nina läbi seljaosa D-rõnga (A). Pöörake liitmikku läbi D-rõnga, kuni värava saab sulgeda.
 5. **Sulgege kolmesammuline karabiin.** Laske väraval (D) sulguda ja lukustushülsil (C) tagasi lukustatud asendisse liikuda.

- 4.8 HORISONTAALSED SÜSTEEMID.** Rakenduste korral, kus SRD-d kasutatakse koos horisontaalse süsteemiga (nt horisontaalne julgestusköis, I-kujulist rõhttala mööda kulgev rullik), peavad SRD ja horisontaalne süsteem olema omavahel ühilduvad. Horisontaalsed süsteemid peavad olema planeeritud ja tehtud kvalifitseeritud inseneri järelevalve all. Täpsemat teavet horisontaalset süsteemi puudutava varustuse kohta saate süsteemi tootjalt.

Joonisel 4 toodud kukkumisruumi väärtused põhinevad ankurdamisel jäiga, liikumatu ankurduspunkti külge ja ei kehti ankurdamisel horisontaalse turvatrossi (HLL) süsteemi külge. Nõutud kukkumisruumi väärtuste kindlakstegegimiseks vt HLL-i kasutusjuhendit ja konsulteerige HLL-i paigaldajaga.

5.0 Ülevaatus

- 5.1 RFID-SILT.** Automaatplokil on raadiosagedustuvastuse (RFID) silt (vt joonis 17). RFID-silti saab kasutada koos RFID-lugejaga ja veebipõhise portaali ülevaatus ja inventari kontrollimise hõlbustamiseks ning kukkumiskaitsevahendeid puudutavate andmete salvestamiseks. Konkreetsete küsimuste korral pöörduge ettevõtte 3M kohaliku klienditeeninduse poole (vt tagakaanelt). Andmete andmebaasi edastamiseks järgige oma RFID-lugeja kasutusjuhendit või juhiseid veebiportaalis.

5.2 ÜLEVAATUSSAGEDUS. Automaatplokki tuleb kontrollida intervalliga, mis on toodud lõigus 2. Ülevaatuse protseduuri on kirjeldatud lõigus „Ülevaatus- ja hoolduse päevik“ (tabel 3).

Töötamine rasketes oludes (karmid tingimused, pikaajaline kasutamine jne) nõuavad sagedasemat ülevaatust (vt tabel 2).

5.3 OHUTUST VÄHENDAVAD PUUDUSED JA DEFEKTIID. Juhul kui ülevaatuse käigus peaks täheldatama ohutust vähendavaid puudusi või defekte, tuleb SRD viivitamatult kasutuselt kõrvaldada ja utiliseerida (vt lõik 6).

Varustust võivad remontida ainult 3M või selleks kirjalikult volitatud isikud.

5.4 TOOTE KASUTUSIGA. Ettevõtte 3M automaatplokide kasutusiga sõltub töötingimustest ja hooldusest. Toode võib kasutada, kuni see vastab ülevaatuse kriteeriumitele (kuni max toote kasutusea jooksul). Tekstiilrihmadega SRD max toote kasutusiga on kuni 10 aastat alates valmistamise kuupäevast.

6.0 HOOLDUS, TEENINDUS ja HOIUNDAMINE

6.1 PUHASTAMINE. SRD-D Puhastatakse Järgmisel Moel:

- Puhastage regulaarselt SRD välispinda vee ja kerge seebilahusega. Kuivatage SRD-d asendis, mis võimaldab üleliigse vee välja pääsemist. Puhastage sildid nõuetekohaselt.
- Puhastage julgestusköit vee ja kerge seebilahusega. Loputage ja laske õhu käes täielikult ära kuivada. Mitte kiirendada kuivamist kuumutamise teel. Enne julgestusköie korpusesse kokkukerimist peab julgestusköis olema täielikult ära kuivanud. Mustuse, värvi jms liigne kogunemine võib takistada julgestusköie vaba kokkukerimist korpusesse ning tuua kaasa vabakukkumise ohu.

6.2 REMONTIMINE. SRD-sid pole võimalik parandada. Kui SRD on kukkumise peatamiseks rakendunud või kui ülevaatuse käigus leitakse sellel ohtlikke puudusi või defekte, eemaldage SRD kasutuselt ja utiliseerige (vt „UTILISEERIMINE“).

6.3 HOIUNDAMINE/TRANSPORT. Hoiustage ja transportige SRD-d jahedas, kuivas, puhtas keskkonnas, kaitstuna otsese päikesevalguse eest. Vältige ruume, kus võib olla kemikaalide aure. Pärast pikemaajalist hoiustamist tehke SRD-le põhjalik ülevaatus.

6.4 UTILISEERIMINE. SRD kuulub utiliseerimisele kohe, kui see on kukkumise peatamiseks rakendunud või kui ülevaatusel leitakse ohtlikke puudusi või defekte. Lõigake enne SRD utiliseerimist turvarihm pooleks või tehke SRD muul moel kasutuskõlbmatuks, et keegi ei saaks seda hiljem enam juhuslikult kasutada.

7.0 Sildid

Joonisel 22 on näidatud automaatplokide sildid ja nende asukohad. Kõik sildid peavad SRD-l alles olema. Kui sildid pole loetavad, tuleb need asendada. Siltidel toodud piktogrammide tähendusega.

1	Kontrollida üle iselukustuv konks ja löögiindikaator
2	Kontrollida üle SRL-i lukustusfunktsioon
3	Õige viis SRL-i ühendamiseks rakmete külge
4	Puudub terav serv. Lubatud ühendamine nii üleval- kui ka allpool seljaosa D-rõngast, samuti samal kõrgusel seljaosa D-rõngaga (maksimaalselt 140 kg).
5	Kasutamistemperatuuri vahemik -40°C kuni +60°C
6	Maksimaalne kandevõime on 140 kg
7	Suunata julgestusköis alati SRL-i tagasi
8	Mitte remontida
9	Hoiundage jahedas, kuivas, puhtas ruumis, kaitstuna otsese päikesevalguse eest.
10	Üle serva mitte laadida
11	Silti mitte eemaldada

Tabel 3. Ülevaatus- ja hoolduspäevik

Seerianumber/-numbrid:		Ostukuupäev:	
Mudeli number:		Esmase kasutuselevõtmise kuupäev:	
Ülevaatusse kuupäev:		Ülevaataja:	
Komponent	Ülevaatus. (Vt lõiku 2 „Ülevaatusintervall“)	Läbinud	Mitte läbinud
SRD (vt jn 18)	Kontrollige, kas kõik kinnitusvahendid on korralikult pingutatud ja veenduge, et seadmel pole defektseid ega deformeerunud detaile.	<input type="checkbox"/>	<input type="checkbox"/>
	Kontrollige üle korpus (A), et sellel poleks deformatsioone, pragusid ega muid kahjustusi.	<input type="checkbox"/>	<input type="checkbox"/>
	Kontrollige üle pöördelement (B) ja pöördas (C) või integraallitmik (D), et neil poleks deformatsioone, pragusid ega muid kahjustusi. Pöördelement peab olema korralikult SRL-iga kinnitatud nii, et see ei takista elemendi takistusteta pöörlemist. Pöördas või integraallitmiku pöörlemine pöördelemendil peab olema takistustevaba.	<input type="checkbox"/>	<input type="checkbox"/>
	Julgestusköis (E) peab olema täies ulatuses väljatõmmatav ning ilma takistusteta ja köies lõtku tekitamata kokkukeritav.	<input type="checkbox"/>	<input type="checkbox"/>
	Veenduge, et SRD lukustub, kui julgestusköit järsult tõmmata. Eellukustus peab toimuma ilma libisemata.	<input type="checkbox"/>	<input type="checkbox"/>
	Kõik sildid peavad paiknema omal kohal ja olema selgelt loetavad (vt joonis 20).	<input type="checkbox"/>	<input type="checkbox"/>
	Kontrollige SRD tervenisti üle, et sellel poleks korrosioonile viitavaid märke.	<input type="checkbox"/>	<input type="checkbox"/>
Otsaliitmikud (vt jn 19)	Tabelis 2 on esitatud otsaliitmikud, mida teie Nano-Lok SRD mudel peab sisaldama. Kontrollige üle kõik klambriid, karabiinid, haagid, liitmikud jne, et neil puuduksid kahjustuste ja korrosioonile viitavad jäljed, ühtlasi kontrollige, kas need toimivad laitmatult. Olenevalt elemendist: Väravad peavad korrektselt avanema, sulguma, lukustuma ja lahti lukustuma ning lukustusnupud ja lukustusnõelad peavad toimima veatult.	<input type="checkbox"/>	<input type="checkbox"/>
Turvarihm (vt jn 20)	Kontrollige rihmasid – materjalil ei tohi olla läbilõigatud (A), narmendavaid (B) ega purunenud kiude. Kontrollige rebenemise, hõõrdumise, tugeva saastumise (C), hallituse, põlemise (D) ja värvimuutuste suhtes. Kontrollige õmblusi – veenduge, et pole lahtisi ega purunenud õmblusi. Purunenud õmblused võivad viidata sellele, et rakmed on talunud kukkumist ja tuleb kasutuselt kõrvaldada.	<input type="checkbox"/>	<input type="checkbox"/>
Energianeeldur (vt jn 21)	Veenduge, et integreeritud energianeeldur pole aktiveerunud. Avanenud või rebenenud kate (A), kattest välja tõmmatud rihmad, rebenenud või narmendavad rihmad (B), rebenenud õmblused jms on kõik energianeelduri aktiveerumise märkideks.	<input type="checkbox"/>	<input type="checkbox"/>
Korrigeeriv toiming/hooldus:		Kinnitanud isik:	
		Kuupäev:	
Korrigeeriv toiming/hooldus:		Kinnitanud isik:	
		Kuupäev:	
Korrigeeriv toiming/hooldus:		Kinnitanud isik:	
		Kuupäev:	
Korrigeeriv toiming/hooldus:		Kinnitanud isik:	
		Kuupäev:	
Korrigeeriv toiming/hooldus:		Kinnitanud isik:	
		Kuupäev:	
Korrigeeriv toiming/hooldus:		Kinnitanud isik:	
		Kuupäev:	
Korrigeeriv toiming/hooldus:		Kinnitanud isik:	
		Kuupäev:	

TURVALLISUUSTIEDOT

Lue, ymmärrä ja noudata kaikkia näissä ohjeissa olevia turvallisuustietoja ennen itsekelaatuvan laitteen käyttöä. EDELLÄ MAINITUN LAIMINLYÖNTI VOI JOHTAA VAKAAN LOUKKAANTUMISEEN TAI KUOLEMAAN.

Nämä ohjeet tulee antaa näiden varusteiden käyttäjälle. Säilytä nämä ohjeet myöhempää tarvetta varten.

Käyttötarkoitus:

Tämä itsekelaatuva laite on tarkoitettu käytettäväksi osana täyttä henkilökohtaista putoamisenestojärjestelmää.

Käyttö muihin tarkoituksiin, kuten materiaalien käsittelyyn, virkistys- tai urheilutoimintaan tai muuhun sellaiseen toimintaan, joita ei käyttöohjeessa kuvata, ei ole 3M:n hyväksymää ja saattaa johtaa vakavaan loukkaantumiseen tai kuolemaan.

Tätä laitetta voivat käyttää ainoastaan koulutetut käyttäjät työskentelytarkoituksiin.

! VAROITUS

Tämä itsekelaatuva laite on osa henkilökohtaista putoamisenestojärjestelmää. Kaikkien käyttäjien odotetaan olevan täysin koulutettuja omien henkilökohtaisten putoamisenestojärjestelmiensä turvallisen asentamisen ja käytön suhteen. **Tämän laitteen väärinkäyttö saattaa johtaa vakavaan loukkaantumiseen tai kuolemaan.** Jos tarvitset tietoja asianmukaisesta valinnasta, käytöstä, asennuksesta, ylläpidosta ja huollosta, katso näitä käyttöohjeita ja niiden sisältämiä valmistajan suosituksia, kysy esimieheltäsi tai ota yhteyttä 3M:n tekniseen palveluun.

- **Vähentääksesi itsekelaatuvien laitteiden kanssa työskentelyyn liittyviä riskejä, jotka mahdollisesti voivat aiheuttaa vakavan loukkaantumisen tai kuoleman:**
 - Tarkasta itsekelaatuva laite ja varmista asianmukainen lukitus ja palautuminen ennen jokaista käyttökertaa.
 - Jos valtuutetussa tarkastuksessa ilmenee vaarallinen tai viallinen tila, poista laite käytöstä ja korjaa tai vaihda se käyttöohjeiden mukaisesti.
 - Jos itsekelaatuva laite on altistunut pudotuksen pysäytykselle tai iskuvoimalle, poista itsekelaatuva laite välittömästi käytöstä ja merkitse laite merkinnällä "KÄYTTÖKELVOTON".
 - Varmista, että turvaköysi on täysin esteetön eikä se ole mm. sotkeutunut liikkuviin koneisiin tai laitteisiin (esim. öljynporaustornien koneisto), muihin työntekijöihin, itseesi, ympärillä oleviin esineisiin tai että yläpuolella ei ole esineitä, jotka saattaisivat pudota turvaköyden tai työntekijän päälle.
 - Varmista, että turvaköysi ei ole koskaan löysä. Älä sido turvaköyttä tai tee siihen solmuja.
 - Kiinnitä valjaisiin kiinnitetyn itsekelaatuvan laitteen käyttämättömät jalat valjaiden säilytyskoukkuihin, jos sellaisia on.
 - Älä käytä kohteissa, joissa putoamisreitti ei ole esteetön. Hiekan tai viljan kaltaisten hitaasti liikkuvien materiaalien päällä työskentely tai ahtaissa tai kapeissa tiloissa työskentely ei ehkä salli riittävää nopeutta itsekelaatuvan laitteen lukittumiseksi. Itsekelaatuva laite vaatii lukkiutuakseen esteettömän väylän.
 - Vältä yllättäviä tai nopeita liikkeitä normaalissa työkäytössä. Tämä saattaa aiheuttaa laitteen lukittumisen.
 - Varmista, että muiden valmistajien komponenteista kootut putoamisenestojärjestelmät/alijärjestelmät ovat yhteensopivia ja täyttävät asianomaisten standardien vaatimukset, mukaan lukien ANSI Z359, tai muut sovellettavat putoamisenestokoodit, -standardit tai -vaatimukset. Käänny aina pätevän ja/tai pätevöidyn henkilön puoleen ennen näiden järjestelmien käyttöä.
- **Vähentääksesi korkealla työskentelyyn liittyviä riskejä, jotka mahdollisesti voivat aiheuttaa vakavan loukkaantumisen tai kuoleman:**
 - Varmista, että terveydentilasi ja fyysinen kuntosi on tarpeeksi hyvä, jotta pystyt kestäämään kaikki korkealla työskentelyyn liittyvät voimat. Keskustele lääkärisi kanssa, mikäli sinulla on kysyttävää näiden laitteiden käyttöön liittyvistä valmiuksista.
 - Älä koskaan ylitä putoamisenestolaitteiden sallittua kapasiteettia.
 - Älä koskaan ylitä putoamisenestolaitteiden vapaan pudotuksen enimmäisetäisyyttä.
 - Älä käytä putoamisenestolaitteita, jotka eivät läpäise ennen käyttöä tehtäviä tai muita suunniteltuja tarkastuksia tai jos olet huolissasi laitteiden käytöstä tai sopivuudesta käyttötarkoitukseen. Jos sinulla on kysyttävää, ota yhteyttä 3M:n tekniseen palveluun.
 - Jotkin alajärjestelmä- ja osayhdistelmät saattavat häiritä tämän varusteen toimintaa. Käytä vain yhteensopivia liitäntöjä. Ota yhteyttä 3M:ään ennen tämän laitteen käyttöä yhdessä sellaisten osien tai alajärjestelmien kanssa, joita ei kuvata tässä käyttöohjeessa.
 - Ota käyttöön ylimääräiset varotoimenpiteet, kun työskentelet liikkuvien laitteiden (esim. öljynporaustornien koneistot), sähkövaarojen, korkeiden lämpötilojen, kemiallisten vaarojen, räjähtävien tai myrkyllisten kaasujen tai terävien reunojen läheisyydessä tai yläpuolellasi sijaitsevien materiaalien lähellä, jotka voivat pudota päällesi tai putoamisenestolaitteen päälle.
 - Käytä valokaari- tai kuumatyökaluita, kun työskentelet erittäin kuumissa ympäristöissä.
 - Vältä pintoja ja esineitä, jotka voivat vahingoittaa käyttäjää tai laitteita.
 - Varmista, että korkealla työskennellessä käytössä on riittävä putoamiskorkeus.
 - Älä koskaan muokkaa tai muuta putoamisenestolaitetta. Vain 3M tai sen kirjallisesti valtuuttamat tahot saavat tehdä korjauksia tähän laitteeseen.
 - Ennen putoamisenestolaitteiden käyttöä varmista, että käytössä on pelastussuunnitelma, jonka avulla voidaan toteuttaa nopea pelastus putoamistapaturman tapahtuessa.
 - Jos putoamistapaturma tapahtuu, hae välittömästi lääkinnällistä apua pudonneelle työntekijälle.
 - Älä käytä vartalovyötä putoamisenestosuovelluksissa. Käytä ainoastaan kokovartalovaljaita.
 - Minimoi heilahtavan putoamisen mahdollisuus työskentelemällä niin suoraan ankkurointipisteen alla kuin mahdollista.
 - Mikäli laitteella harjoitellaan, on käytettävä toissijaista putoamisenestojärjestelmää tavalla, joka ei altista koulutettavaa henkilöä tahattomalle putoamiselle.
 - Käytä aina asianmukaisia henkilösuojaimia kun asennat, käytät tai tarkastat laitetta/järjestelmää.

Merkitse ennen tämän tuotteen käyttöä tuotteen tunnistustiedot sen tunnusmerkinnästä tämän käyttöoppaan takana olevaan tarkastus- ja kunnossapitolokiin.

KUVAUS:

Kuvassa 2 näkyvät 3M™:n itsekelautuvien DBI-SALA® Nano-Lok -laitteiden tärkeimmät komponentit. Itsekelautuvat Nano-Lok-laitteet ovat sisäisellä nykäyksenvaimentimella (B) varustettuja kelalle kierrettyjä turvaköysiä (A), jotka kelautuvat takaisin nailonkoteloon (C). Koteloa päällä oleva leikarilenkki (D) mahdollistaa liittämisen hyväksytyyn kiinnityspisteeseen karbiinihaalla (E) tai kiinnittämällä valjasliitoskohdalla (F) varustettuihin kokovartalovaljaisiin. Kuvassa 1 näkyy saatavilla olevat Nano-Lok-mallit sekä niiden liitinkokoonpanot. Itsekelautuvan Nano-Lok-laitteen ja liittimen tekniset tiedot löytyvät taulukosta 1.

Taulukko 1 – Tekniset tiedot

Osien tarkat tiedot:

SRL-kotelot	Nailon
Kela	Nailon
Sisäosat	Ruostumaton teräs, alumiini
Punosturvaköysi	Dyneema-polyesteri
Nykäyksenvaimennin	Päällys: nitrilikumi, punos: polyesteri, ompeleet: polyesteri- tai nailonlanka
Leikari	Sinkitty teräs

Liittimen tekniset tiedot:

	Kuvaus	Materiaali	Portin aukko	Portin lujuus	Vetolujuus
①	Leikarilenkki	Teräs	22,35 mm (0,88 tuumaa) sisäpuolen halkaisija	X	22,2 kN (5 000 lbs)
②	Karbiinihaka	Alumiini	19 mm (3/4 tuumaa)	16 kN (3 600 lbs)	22,2 kN (5 000 lbs)
③	Karbiinihaka	Teräs	19 mm (3/4 tuumaa)	16 kN (3 600 lbs)	22,2 kN (5 000 lbs)
④	Yhden itsekelautuvan laitteen liitoskohta	Teräs	51 mm (2 tuumaa)	16 kN (3 600 lbs)	22,2 kN (5 000 lbs)
⑤	Kahden itsekelautuvan laitteen liitoskohta	Teräs ja nylon-välikappaleet	19 mm (3/4 tuumaa)	16 kN (3 600 lbs)	22,2 kN (5 000 lbs)
⑥	Karbiinihaka	Alumiini, teräs	56 mm (2,19 tuumaa)	16 kN (3 600 lbs)	22,2 kN (5 000 lbs)
⑦	Karbiinihaka	Alumiini	19 mm (3/4 tuumaa)	16 kN (3 600 lbs)	22,2 kN (5 000 lbs)
⑧	Raudoitustankokoukku	Alumiini	57 mm (2 1/4 tuumaa)	16 kN (3 600 lbs)	22,2 kN (5 000 lbs)
⑨	Raudoitustankokoukku	Alumiini	63 mm (2,5 tuumaa)	16 kN (3 600 lbs)	22,2 kN (5 000 lbs)
⑩	Karbiinihaka	Alumiini	52 mm (2 tuumaa)	16 kN (3 600 lbs)	22,2 kN (5 000 lbs)
⑪	Raudoitustankokoukku	Alumiini, teräs	63 mm (2,5 tuumaa)	16 kN (3 600 lbs)	22,2 kN (5 000 lbs)
⑫	Karbiinihaka	Teräs	19 mm (3/4 tuumaa)	16 kN (3 600 lbs)	22,2 kN (5 000 lbs)
⑬	Raudoitustankokoukku	Alumiini	57 mm (2 1/4 tuumaa)	16 kN (3 600 lbs)	22,2 kN (5 000 lbs)
⑭	Jousihaka	Teräs	19 mm (3/4 tuumaa)	16 kN (3 600 lbs)	22,2 kN (5 000 lbs)

Suosituskytiedot:

itsekelautuvan laitteen eritelmä (pystysuuntainen)	CE-mallit	
	59–100 kg (130–220 lbs)	100–140 kg (220–310 lbs)
enimmäiskantavuuden vaihteluväli	59–100 kg (130–220 lbs)	100–140 kg (220–310 lbs)
Suurin sallittu pysäytysvoima	6 kN (1 350 lbs)	6 kN (1 350 lbs)
Keskimääräinen pysäytysvoima	4 kN (900 lbs)	4 kN (900 lbs)
Ilmoitettu enimmäispysäytysmatka¹	0,61 m (24 tuumaa)	0,61 m (24 tuumaa)
Vaadittu esteetön putoamiskorkeus vähintään¹	1,5 m (5 jalkaa)	1,8 m (5,8 jalkaa)
Vapaa pudotus enintään²	1,5 m (5 jalkaa)	1,5 m (5 jalkaa)

¹ - Oletus on, että itsekelautuva turvaköysi on kiinnitetty suoraan loppukäyttäjän yläpuolelle (pään yläpuolelle).

² - Mitattu käyttäjän D-renkaasta kävely-/työskentelypintaan. Tarkemmat tiedot löytyvät vapaan pudotuksen taulukosta/taulukoista.

1.0 KÄYTTÖTARKOITUKSET

- 1.1 TARKOITUS:** Itsekelautuvat laitteet on suunniteltu putoamissuojajärjestelmien osaksi. Kuvassa 1 esitetään, mitä itsekelautuvien laitteiden malleja tämä käyttöopas koskee. Niitä voidaan käyttää useimmissa tilanteissa, joissa työntekijän kyky liikkua ja putoamisenesto ovat tarpeen (ts. tarkastukset, yleiset rakennustyöt, huoltotyöt, öljyntuotanto, ahtaat työtilat jne.).
- 1.2 STANDARDIT:** Itsekelautuva laite täyttää ne maan ja alueen standardit, jotka on merkitty näiden ohjeiden etukanteen. Putoamissuojaimia koskevia lisätietoja löytyy paikallisista, kansallisista ja liittovaltiollisista (Yhdysvaltain työterveys- ja työturvallisuusvirasto, OSHA) työturvallisuutta koskevista määräyksistä.
- 1.3 KOULUTUS:** Näiden varusteiden asentajien ja käyttäjien tulee olla koulutettuja varusteiden oikeaan käyttöön. Käyttäjän vastuulla on tutustua näihin ohjeisiin ja varmistaa, että hän on saanut koulutuksen varusteiden oikeaan huoltoon ja käyttöön. Käyttäjän tulee myös olla tietoinen näiden varusteiden ominaisuuksista, käyttörajoituksista ja virheellisen käytön seurauksista.
- 1.4 RAJOITUKSET:** Seuraavat rajoitukset on aina huomioitava tämän laitteen asennuksessa ja käytössä:

- **Kapasiteetti:** Itsekelautuvat laitteet on tarkoitettu yhden henkilön käyttöön. Käyttäjän kokonaispainon (sisältäen vaatteet, työkalut jne.) tulee vastata taulukossa 1 esitettyä *enimmäiskantavuusväliä*. Varmista, että järjestelmän kaikki komponentit on luokiteltu käyttökohteeseen sopivan kapasiteetin mukaisesti.
- **Tuki:** Itsekelautuvan laitteen kiinnitysrakenteen tulee kestää 12 kN:n (2 697 lbs) kuormitus. Kiinnityslaitteiden tulee vastata EN795- tai muita soveltuvia kiinnitysluokkien standardeja. 3 300 lbs
- **Lukitusnopeus:** Vältä tilanteita, joissa esteetön putoaminen ei ole mahdollista. Työskentely ahtaissa tai kapeissa tiloissa tai kaltevilla pinnoilla saattaa estää kehoa saavuttamasta riittävää putoamisnopeutta, jotta itsekelautuva laite lukittuisi putoamistilanteessa. Hiekan tai viljan kaltaisten hitaasti liikkuvien materiaalien päällä työskentely ei välttämättä salli riittävää nopeutta itsekelautuvan laitteen lukittumiseksi. Itsekelautuva laite vaatii lukkiutuakseen esteettömän väylän.
- **Vapaa pudotus:** Kun kiinnityspiste on pään yläpuolella, itsekelautuvat laitteet rajoittavat vapaan pudotuksen matkan 0,6 m:iin (2 jalkaa)¹. Pidempien putoamisetäisyyksien välttämiseksi itsekelautuva laite on kiinnitettävä suoraan työtason yläpuolelle. Itsekelautuvaa laitetta ei koskaan saa kiinnittää sellaiseen kiinnityskohtaan, joka luo yli 1,5 m:n (5 jalkaa) vapaan pudotuksen. Vältä työskentelyä paikoissa, joissa oma turvaköytesi voi mennä ristiin jonkun toisen työntekijän turvaköyden kanssa. Vältä työskentelyä paikoissa, joissa putoavat esineet voivat osua turvaköyteen aiheuttaen tasapainon menetyksen tai vaurioita turvaköyttä. Turvaköysi ei saa kulkea käsivarsien alta tai jalkojen välistä. Turvaköyttä ei saa puristaa, solmia tai estää palautumasta tai kiristymästä. Vältä köyden löystymistä. **Älä pidennä itsekelautuvaa SRL-turvaköyttä liittämällä siihen köyttä tai muuta vastaavaa komponenttia ottamatta ensin yhteyttä 3M:ään.**
- **Heilahtavat putoamiset:** Putoamiskeinahdus aiheutuu siitä, että kiinnityspiste ei ole suoraan putoamispisteen yläpuolella. Putoamiskeinahduksessa kappaleisiin iskeytymisestä aiheutuva voima voi aiheuttaa vakavan vamman (katso kuva 3A). Minimoi heilahtavan putoamisen mahdollisuus työskentelemällä niin suoraan kiinnityspisteen alla kuin mahdollista (kuva 3B). Työskentely muualla kuin kiinnityspisteen kohdalla (kuva 3C) lisää heilahtavan putoamisen vaikutusta ja kasvattaa vaadittua esteetöntä putoamiskorkeutta.
- **Putoamisetäisyys:** Kuvassa 3B esitetään esteettömän putoamiskorkeuden laskenta. Esteetön putoamiskorkeus (Fall Clearance, FC) on vapaan pudotuksen (Free Fall, FF), hidastusetäisyyden (Deceleration Distance, DD) sekä turvallisuustekijän (Safety Factor, SF) summa: $FC = FF + DD + SF$. D-renkaan liukuminen ja valjaiden venyminen sisältyvät turvallisuustekijään. Esteettömän putoamiskorkeuden arvot on laskettu ja esitetään kaaviona kuvassa 4. Kaikille arvoille on käytetty 1 m:n (3,28 jalkaa) turvallisuustekijää kuvassa 4.

Kuvassa 4 näkyy vaakasuuntaiseen (horisontaalinen, H) ja pystysuuntaiseen (vertikaalinen, V) etäisyyteen pohjautuva esteetön putoamiskorkeus selkäpuolelle kiinnitettävän itsekelautuvan laitteen liitännän ja kiinnityspisteen välillä. Kaavion/kaavioiden kukin vaakasuuntainen ristikkoviiva edustaa pystysuuntaista etäisyyttä kiinnityskohdasta. Kukin pystysuuntainen ristikkoviiva edustaa vaakasuuntaista etäisyyttä kiinnityskohdasta. Se vyöhyke, jossa vaakasuuntainen ja pystysuuntainen ristikkoviiva leikkautuvat määrittää esteettömän putoamiskorkeuden arvon. Kuvan 4 esimerkki näyttää, miten vaadittu esteettömän putoamiskorkeuden arvo voidaan määrittää ilmoitetuille pystysuuntaisille ja vaakasuuntaisille etäisyyksille.

Muuttuvat kiinnityskohdat: Kuvan 4 esteettömät putoamiskorkeudet pohjautuvat kiinteään ja paikallaan pysyvään kiinnityskohtaan. Jos kiinnitys tehdään vaakasuuntaiseen turvaköyteen tai sellaiseen kiinnityskohtaan, joka saattaa liikkua, liukua tai taipua tai vääntyä putoamisen aikana, eivät kuvassa 4 ilmoitetut esteettömät putoamiskorkeudet päde. Katso vaakasuuntaisen turvaköyden tai kiinnityslaitteen ohjeista esteetöntä putoamiskorkeutta, taipumista ja/tai vääntymistä koskevia lisätietoja.

Polvistuminen tai kyykistyminen: Kuvan 4 esteettömän etäisyyden kaavioissa oletetaan, että työntekijä seisoo. Mikäli työntekijä on polvillaan tai kyykistynyt, vaadittu esteetön putoamiskorkeus kasvaa 0,9 m:llä (3 jalkaa).

Kiinnitystä ei tule koskaan tehdä jalkojen alapuolelle: Kiinnityskohtaa ei tule koskaan sijoittaa jalkojen alapuolelle.

- **Vaaratekijät:** Näiden varusteiden käyttö vaarallisissa ympäristöissä saattaa vaatia ylimääräisiä varotoimia käyttäjän vammautumisen ja varusteiden vaurioitumisen estämiseksi. Vaaratekijöitä voivat olla muun muassa korkea lämpötila, syövyttävät kemikaalit tai ympäristöt, korkeajännitelinjat, räjähdysalttiit tai myrkylliset kaasut, liikkuvat koneet ja yläpuolella olevat materiaalit, jotka voivat pudota ja osua käyttäjään tai putoamisenestojärjestelmään. Vältä työskentelyä paikoissa, joissa turvaköysi voi mennä ristiin toisen työntekijän turvavarusteiden kanssa. Vältä työskentelyä paikoissa, joissa putoavat esineet voivat osua turvaköyteen aiheuttaen tasapainon menetyksen tai vaurioita turvaköyttä. Turvaköysi ei saa kulkea käsivarsien alta tai jalkojen välistä.
- **Terävät reunat:** Jos itsekelautuvan laitteen turvaköysi saattaa koskettaa putoamisen aikana joitain teräviä reunoja, näiden reunojen säteen tulee olla vähintään 0,3 cm (0,125"). Jos kontaktia teräviin reunoihin ei voi välttää, peitä reunat suojaavalla materiaalilla.

¹ **Vapaa pudotus:** Jos itsekelautuva laite on kytketty oikein ja käyttäjä työskentelee suoraan kiinnityskohdan alla eikä turvaköysi ole löysällä, vapaata pudotusta ei ole. Hyväksyttävät kiinnityskohdat näkyvät kuvassa 4.

2.0 Järjestelmän käyttö

- 2.1 PUTOAMISSUOJAUS- JA PELASTUSSUUNNITELMA:** Työnantajalla on oltava putoamissuojaus- ja pelastussuunnitelma. Suunnitelman tulee sisältää ohjeistusta ja vaatimuksia työnantajan järjestämää putoamissuojausohjelmaa varten. Tällaisia ohjeistuksia ja vaatimuksia ovat esim. käytännöt, velvollisuudet ja koulutus, putoamissuojauksen menetelmät, putoamisvaarojen eliminointi ja hallinta, pelastustoimenpiteet, onnettomuuksien ja vaaratilanteiden tutkinta sekä ohjelman tehokkuuden arviointi.
- 2.2 TARKASTUSVÄLIT:** Jonkun valtuutetun henkilön¹ tai pelastajan² on tarkastettava itsekelautuva laite ennen jokaista käyttökertaa (katso taulukko 3). Tarkastuksia tulee lisäksi suorittaa sellaisen pätevän henkilön toimesta³, joka ei ole kyseisen laitteen käyttäjä. Äärimmäiset työolosuhteet (vaativat ympäristöt, pitkäaikainen käyttö jne.) voivat vaatia tarkastusten suorittamista pätevän henkilön toimesta useammin. Kyseisen pätevän henkilön tulee käyttää tarkastusaikataulua (taulukko 2) asianmukaisten tarkastusvälien määrittämiseen. Tarkastustoimet on kuvattu kappaleessa *Tarkastus- ja kunnossapitoloki* (taulukko 3). Kyseisen pätevän henkilön suorittaman tarkastuksen tulokset tulee kirjata tarkastus- ja kunnossapitolokiin tai tallentaa radiotaajuustunnistusjärjestelmään (Radio Frequency Identification, RFID) (ks. kappale 5).
- 2.3 NORMAALI TOIMINTA:** Normaali toiminta sallii turvaköyden purkautua ja kelaautua takeltelemta ja ilman löysää, kun työntekijä liikkuu normaalinopeudella. Jos putoaminen tapahtuu, nopeuden tunnistava jarru aktivoituu pysäyttäen putoamisen ja vaimentaen suuren osan putoamisesta syntyvää voimaa. Normaalin työskentelyn aikana on vältettävä äkkinäisiä liikkeitä, koska ne voivat saada itsekelaatuvan laitteen lukkiutumaan. Laitteeseen on rakennettu varaturvaköysijärjestelmä tai nykyksenvaimennin putoamisen iskuvoiman vähentämiseksi siltä varalta, että putoaminen tapahtuu turvaköyden liikevaran ääriarajoilla.
- 2.4 VARTALON TUKEMINEN:** Itsekelaatuvan laitteen kanssa tulee käyttää kokovartalovaljaita. Valjaiden liitoskohdan on oltava käyttäjän painopisteen yläpuolella. Vartalovyön käyttö ei ole sallittua itsekelaatuvan laitteen kanssa. Jos putoaminen tapahtuu vartalovyötä käytettäessä, se saattaa aiheuttaa tahattoman irtoamisen tai virheellisestä vartalon kannatuksesta johtuvan trauman.
- 2.5 OSIEN YHTEENSOPIVUUS:** Ellei toisin mainita, 3M:n laitteet on suunniteltu käytettäväksi ainoastaan 3M:n hyväksymien osien ja alajärjestelmien kanssa. Vaihto tai korvaaminen muilla kuin hyväksytyillä osilla tai alajärjestelmillä saattaa vaarantaa laitteiston yhteensopivuuden sekä vaikuttaa koko järjestelmän turvallisuuteen ja luotettavuuteen.
- 2.6 LIITTIMIEN YHTEENSOPIVUUS:** Liittimiä pidetään yhteensopivina liitettävien osien kanssa, kun ne on suunniteltu toimimaan yhdessä siten, että niiden koko ja muoto eivät aiheuta lukkomekanismien tahatonta aukeamista riippumatta niiden asennosta. Ota yhteyttä 3M:ään, jos sinulla on kysyttävää yhteensopivuudesta. Liittimien (haat, karabiinit, D-renkaat) tulee kestää ainakin 22,2 kN:n (2 267 kg) kuorma. Liittimien tulee olla yhteensopivia ankkuroinnin ja muiden järjestelmän osien kanssa. Älä käytä yhteensopimattomia varusteita. Ei-yhteensopivat liittimet voivat irrota vahingossa (katso kuva 5). Liittimien on oltava kooltaan, muodoltaan ja vahvuudeltaan yhteensopivia. Itselukittuvat jousihaat ja karbiinit ovat pakollisia. Jos osa, johon jousihaka tai karbiinihaka kiinnitetään, on liian pieni tai epäsäännöllisen muotoinen, on mahdollista, että kiinnitetty osa kohdistaa voimaa jousihaan tai karbiinihaan lukitusosaan (A). Tämä voima saattaa aiheuttaa kidan avautumisen (B) ja päästä jousihaan tai karbiinihaan irtoamaan kiinnityspisteestä (C).
- 2.7 KYTKEMINEN:** Näiden varusteiden kanssa käytettävien jousihakojen ja karbiinihakojen tulee olla itselukittuvia. Varmista, että kaikki liittimet ovat yhteensopivia kooltaan, muodoltaan ja lujuudeltaan. Älä käytä yhteensopimattomia varusteita. Varmista, että kaikki liittimet ovat täysin suljettuja ja lukittuja. 3M:n liittimet (jousihaat ja karbiinit) on suunniteltu käytettäväksi vain kyseisten tuotteiden käyttöohjeissa kuvatulla tavalla. Katso kuvasta 6 esimerkkejä vääristä liittämisestä.

Jousihakoja tai karbiinihakoja ei saa kiinnittää:

- D-renkaaseen, johon on kiinnitetty toinen liitin.
- Niin, että lukitusosaan kohdistuu kuorma. Isoleukaisia jousihakoja ei tule kiinnittää vakiokoon D-renkasiin tai vastaaviin osiin, jotka aiheuttavat kidan kuormittumista, jos haka tai D-renkas kääntyy tai pyörii, ellei jousihaassa ole 16 kN:n (1 633 kg) kita.
- Valekiinnityksellä, jossa liitososan liittimien koko tai muoto eivät ole yhteensopivat ja liittimet vaikuttavat täysin kytketyiltä, vaikka asiaa ei voikaan katsomalla vahvistaa
- Kiinnitetty toisiinsa.
- Suoraan punokseen tai köyteen tai ympärusköyteen (ellei sekä köyden että liittimen valmistajan ohjeissa nimenomaan sallita tällaista liitosta)
- Mihin tahansa esineeseen, joka on muodoltaan tai kooltaan sellainen, että säppihaka tai karabiini ei sulkeudu ja lukitu tai että haka voi tippua pois.
- Siten, että liitin ei kuormattuna pysty asettumaan oikein.

Taulukko 2 – Tarkastusaikataulu

Käytön tyyppi	Käyttötarkoituksesimerkit	Käyttöolosuhteet	Tarkastusväli
			Pätevä henkilö
Satunnaisesta kevyeen	Pelastus ja ahtaat tilat, tehdashuolto	Hyvät säilytysolosuhteet, sisäkäyttö tai satunnainen ulkokäyttö, huonelämpötila, puhtaat ympäristöt	Vuosittain
Kohtalaisesta vaativaan	Kuljetus, asuntorakentaminen, työkalut, varasto	Kohtalaiset säilytysolosuhteet, sisäkäyttö sekä laaja-alainen ulkokäyttö, kaikki lämpötilat, puhtaat tai pölyiset ympäristöt	Puolivuosisittaisesta vuosittaiseen
Vaativasta jatkuvaan	Kaupallinen rakentaminen, öljy ja kaasu, kaivostyö	Ankarat säilytysolosuhteet, pitkittynyt tai jatkuva ulkokäyttö, kaikki lämpötilat, likainen ympäristö	Neljännesvuosisittaisesta puolivuosisittaiseen

¹ **Valtuutettu henkilö:** Työnantajan määräämä henkilö, joka suorittaa tehtäviä sellaisessa paikassa, jossa henkilöt altistuvat putoamisvaaralle.

² **Pelastaja:** Muu kuin pelastettava henkilö tai pelastettavat henkilöt, jotka avustavat pelastustyössä käyttäen pelastusjärjestelmää.

³ **Pätevä henkilö:** Työnantajan nimeämä henkilö, jonka vastuulla on työnantajan putoamisenesto-ohjelman välitön johtaminen, täytäntöönpano ja valvonta ja joka koulutuksensa ja tietojensa ansiosta pystyy tunnistamaan, arvioimaan ja ratkaisemaan olemassa olevat ja mahdolliset putoamisvaarat ja jolla on työnantajan valtuutus ryhtyä välittömiin korjaaviin toimiin tällaisten vaaratekijöiden suhteen.

3.0 Asennus

- 3.1 SUUNNITTELU:** Suunnittele putoamisenestojärjestelmäsi ennen työhön ryhtymistä. Ota huomioon kaikki tekijät, jotka voivat vaikuttaa turvallisuuteen ennen putoamista, sen aikana ja sen jälkeen. Ota huomioon kaikki osiossa 2 luetellut vaatimukset ja rajoitukset.

Itsekelautuva Nano-Lok-laite voidaan useimmissa käyttötarkoituksissa liittää kiinnityspisteeseen tai valjaiden selkäkiinnitykseen. Molemmat kytkennät ovat sallittuja, paitsi osiossa 4 mainituissa olosuhteissa.

- 3.2 KIINNITYS:** Kuvassa 7 esitetään tyyppilliset itsekelautuvan laitteen kiinnityspisteen liitännät. Kiinnitykseen tulee valita sellainen paikka, jossa vapaan putoamisen sekä heilahdusputoamisen vaarat ovat mahdollisimman pieniä (ks. osio 1). Valitse liikkumaton kiinnityspiste, joka kestää osiossa 1 määritetyt staattiset kuormitukset. Jos yläpuolinen kiinnitys ei ole käytännöllistä, itsekelautuvat Nano-Lok-laitteet voidaan kiinnittää käyttäjän selkäpuolen D-renkaan alapuolella olevaan kiinnityspisteeseen. Korkeintaan 140 kg (310 lbs) painaville käyttäjille kiinnityspiste saa olla korkeintaan 1,5 m (5 jalkaa) selkäpuolen D-renkaan alapuolella.

- 3.3 KIINNITYS VALJAISIIN:** Jotkut itsekelautuvien laitteiden mallit sisältävät yhden tai kahden itsekelautuvan laitteen valjasliitoskohdan itsekelautuvien laitteiden kiinnittämiseen kokovartalovaljaisiin heti selkäpuolen D-renkaan alapuolelle:

Jotkut kokovartalovaljaat on varustettu sellaisella itsekelautuvien laitteiden sovittimella, joka integroi selkäpuolen D-renkaan valjaisiin kiinnitettävän itsekelautuvan laitteen kiinnitysosiin (kuva 8). On hyväksyttävää kytkeä itsekelautuva laite valjaiden selkäpuolen D-renkaaseen myös karbiinihaan tai jousihaan avulla.

- **Yhden itsekelautuvan laitteen kiinnitys valjaisiin:** Kun työntekijän kyky liikkua on ehdottoman tärkeää, yhden itsekelautuvan laitteen valjasliitoskohtaa voidaan käyttää kiinnittämään itsekelautuva laite kokovartalovaljaiden takaosaan heti selkäpuolen D-renkaan alle (katso kuva 9). Työntekijä voi sitten kytkeytyä erilaisiin kiinnityspisteisiin eri puolilla työmaata itsekelautuvan laitteen turvahihnapään avulla joutumatta toistuvasti asentamaan itsekelautuvaa laitetta uudestaan. Itsekelautuva laite kiinnitetään kokovartalovaljaisiin itsekelautuvan laitteen valjasliitoskohdan avulla seuraavasti:
 1. **Valjasvöiden löysääminen:** Vedä punoshihnat (A) ulos kohdassa, jossa ne kulkevat selkäpuolen D-renkaan (B) alaosan läpi, kunnes tilaa on riittäväksi itsekelautuvan laitteen valjasliitoskohdan viemiseksi punoshihnojen ja D-renkaan pehmusteen välitse.
 2. **Valjasliitoskohdan avaaminen:** Työnnä lukituspainikkeet (C) alas samanaikaisesti ja liu'uta lukitussokka (D) ulos.
 3. **Itsekelautuvan laitteen sijoittaminen valjasliitoskohtaan:** Pujota valjasliitoskohdan avoin kita itsekelautuvan laitteen (E) leikarin lenkin läpi. Kierrä liitoskohta sitten leikarin lenkkien läpi siten, että itsekelautuva laite roikkuu valjasliitoskohdan (F) rangasta.
 4. **Aseta valjasliitoskohta punoshihnojen ympärille:** Aseta valjasliitoskohdan avoin kita löysien punoshihnojen (A) ympärille.
 5. **Sulje valjasliitoskohta:** Työnnä valjasliitoskohdan lukitussokkaa (D) löysien punoshihnojen läpi, kunnes se lukittuu paikalleen valjasliitoskohdan vastakkaiseen päähän. Vedä punoshihnat taakse selkäpuolen D-renkaan ja takalevyn läpi valjasliitoskohdan kiinnittämiseksi.

Valjasliitoskohdan lukitussokan päässä olevan nupin punainen nauha paljastuu, jos valjasliitoskohta on lukitsematta. Liitännän tahaton aukeaminen vältetään varmistamalla aina, että valjasliitoskohta on lukittu ennen valjaiden ja siihen kytketyn itsekelautuvan laitteen käyttöä. Tämän laiminlyönti voi aiheuttaa tapaturman tai kuoleman.

- **Kahden itsekelautuvan laitteen kiinnitys valjaisiin:** Täydellistä (100-prosenttista) kiinnitystä edellyttävässä kiipeilykäytössä itsekelautuvan laitteen valjasliitoskohtaa voidaan käyttää kiinnittämään kaksi itsekelautuvaa laitetta rinnakkain kokovartalovaljaiden takaosaan aivan selkäpuolen D-renkaan alle (ks. kuva 9). Kahden itsekelautuvan laitteen valjasliitoskohdan kiinnitys:
 1. **Valjasvöiden löysääminen:** Vedä punoshihnat (A) ulos kohdassa, jossa ne kulkevat selkäpuolen D-renkaan (B) alaosan läpi, kunnes tilaa on riittäväksi itsekelautuvan laitteen valjasliitoskohdan viemiseksi punoshihnojen ja D-renkaan pehmusteen välitse.
 2. **Valjasliitoskohdan avaaminen:** Työnnä lukituspainikkeet (C) alas samanaikaisesti ja liu'uta lukitussokka (D) ulos.
 3. **Itsekelautuvien laitteiden sijoittaminen valjasliitoskohtaan:** Pujota valjasliitoskohdan avoin kita kunkin itsekelautuvan laitteen (E) leikarin lenkin läpi. Pujota liitoskohta sitten leikarin lenkkien läpi siten, että itsekelautuvat laitteet roikkuvat valjasliitoskohdan (F) tukirangasta.
 4. **Aseta valjasliitoskohta punoshihnojen ympärille:** Aseta valjasliitoskohdan avoin kita löysien punoshihnojen (A) ympärille.
 5. **Sulje valjasliitoskohta:** Työnnä valjasliitoskohdan lukitussokkaa (D) löysien punoshihnojen läpi, kunnes se lukittuu paikalleen valjasliitoskohdan vastakkaiseen päähän. Vedä punoshihnat taakse selkäpuolen D-renkaan ja takalevyn läpi valjasliitoskohdan kiinnittämiseksi.

Valjasliitoskohdan lukitussokan päässä olevan nupin punainen nauha paljastuu, jos valjasliitoskohta on lukitsematta. Liitännän tahaton aukeaminen vältetään varmistamalla aina, että valjasliitoskohta on lukittu ennen valjaiden ja siihen kytketyn itsekelautuvan laitteen käyttöä. Tämän laiminlyönti voi aiheuttaa tapaturman tai kuoleman.

- **Kaksi itsekelautuvaa laitetta sisältävien, kiinteällä D-renkaalla varustettujen valjaiden kiinnitys:** Vanhemmat, kiinteällä D-renkaalla varustetut ExoFit-kokovartalovaljaat vaativat erityisen itsekelautuvalla laitteella varustetun valjasliitoskohdan kiinnittämään kaksi itsekelautuvaa laitetta valjaiden takaosaan aivan selkäpuolella olevan D-renkaan alapuolelle. Kaksi itsekelautuvaa laitetta kiinnitetään ExoFit-kokovartalovaljaisiin itsekelautuvalla laitteella varustetun kiinteän D-renkaan valjasliitoskohtaan (kuva 10) seuraavasti:

1. **Valjashihnojen löysäminen:** Vedä punoshihnat (A) ulos kohdassa, jossa ne kulkevat selkäpuolen D-renkaan (B) alaosan läpi, kunnes tilaa on riittävästi itsekelaatuvan laitteen liitoskohdan viemiseksi punoshihnojen ja selkäpehmusteen välitse.
 2. **Valjasliitoskohdan avaaminen:** Aseta itsekelaatuvan laitteen valjasliitoskohta kuvan osoittamalla tavalla, työnnä lukitusholkki (C) oikealle ja käännä sitten myötäpäivään kidan (D) avaamiseksi. Avaa kita (D) kääntämällä se alas.
 3. **Kierrä ensimmäinen itsekelaatuva laite valjasliitoskohtaan:** Vie liittimen (E) kärki itsekelaatuvassa laitteessa olevan leikarin lenkin (F) läpi ja kierrä sitten itsekelaatuva laite liittimen (G) kitapään ympäri. Portti voidaan sulkea, jotta leikarille jää tilaa portin ja liittimen selän väliin.
 4. **Aseta valjasliitoskohta punoshihnojen ympärille:** Vie liittimen (E) kärki punoshihnojen (A) taakse. Kierrä liitintä punoshihnojen takana, kunnes liitin ympäröi punoshihnat.
 5. **Toisen itsekelaatuvan laitteen liittäminen valjasliitoskohtaan:** Liu'uta itsekelaatuvan laitteen leikarin lenkki (F) liittimen (E) kärjen yli ja aseta itsekelaatuvan laitteen leikarin lenkki liittimen etupäähän.
 6. **Sulje valjasliitoskohta:** Anna portin (G) kääntyä kiinni ja lukitusholkin (C) kiertyä takaisin lukittuun asentoon. Kun valjasliitoskohta on suljettu, vedä punoshihnat (A) takaisin selkäpuolen D-renkaan läpi löysien osien poistamiseksi valjasvöistä, ja kiinnitä valjasliitoskohta sitten punoshihnojen ja selkäpehmusteen väliin.
- **3M® DBI-SALA® -kaksoiskarbiinihaka:** 3M® DBI-SALA® kaksoiskarbiinihaka on suunniteltu kahden itsekelaatuvan Nano-Lok-laitteen kiinnittämiseen kokovartalovaljaiden selkäpuolelle heti selkäpuolen D-renkaan alle (ks. kuva 12). Kahden itsekelaatuvan Nano-Lok-laitteen kiinnittäminen kokovartalovaljaisiin kaksoiskarbiinihakailla:
 1. **Valjasvöiden löysäminen:** Vedä punoshihnat (A) ulos kohdassa, jossa ne kulkevat selkäpuolen D-renkaan (B) alaosan läpi, kunnes tilaa on riittäväksi kaksoishaaraisen liitoskohdan viemiseksi punoshihnojen ja selkäpehmusteen välitse.
 2. **Kaksoiskarbiinihaan avaaminen:** Työnnä liitosväliskappale (C) ylös irrottaaksesi puristimet (D) liittimestä ja käännä liitosväliskappale sitten ylös avatakseen portin lukituksen. Avaa liitin työntämällä porttia (E) sisäänpäin.
 3. **Kierrä ensimmäinen itsekelaatuva Nano-Lok-laite kaksoiskarbiinihakaan:** Pujota liittimen (F) kärki leikarilenkin (G) läpi itsekelaatuvassa turvaköydessä ja kierrä sitten itsekelaatuva turvaköysi liittimen (H) kitapään ympäri. Kitaa voidaan kiertää kärkeä kohti, jotta leikarille jää tilaa portin ja liittimen rangan väliin.
 4. **Aseta kaksoiskarbiinihaka punoshihnojen ympärille:** Aseta kita niin, että se osoittaa ylöspäin ja vie liittimen etupää (F) punoshihnojen (A) taakse. Kierrä liitintä punoshihnojen takana, kunnes liitin ympäröi punoshihnat.
 5. **Toisen itsekelaatuvan Nano-Lok-laitteen lisääminen kaksoiskarbiinihakaan:** Liu'uta itsekelaatuvan turvaköyden leikarin lenkki (G) liittimen (F) kärjen yli ja aseta itsekelaatuvan turvaköyden leikarin lenkki liittimen (F) kärkeen. Käännä portti (E) kiinni.
 6. **Kaksoiskarbiinihaan sulkeminen:** Kierrä liitosväliskappaletta (C) eteenpäin, niin että puristimet (D) kiinnittyvät liittimeen. Oikein suljettuna vyöhihnat kulkevat vyöaukon (J) läpi liitosväliskappaleen yläosassa ja turvaköyden leikarit ovat kiinnitettynä urissa (K) liitosväliskappaleen kummallakin puolella. Kun valjasliitoskohta on suljettu, vedä punoshihnat (A) takaisin selkäpuolen D-renkaan ja D-rengaslevyn läpi löysien osien poistamiseksi valjasvöistä. Kiinnitä liitintä sitten punoshihnojen ja D-rengaslevyn väliin.
 - **Kaksisokkainen 3M® DBI-SALA® -karbiinihaka:** Tätä valjasliitintä voidaan käyttää yhden itsekelaatuvan Nano-Lok-turvaköyden tai kahden itsekelaatuvan Nano-Lok-turvaköyden kiinnittämiseen kiipeämistä edellyttävässä käytössä (ks. kuva 11), joissa 100-prosenttinen kiinnitys on välttämätöntä:
 1. **Valjasvöiden löysäminen:** Vedä punoshihnat (A) ulos kohdassa, jossa ne kulkevat selkäpuolen D-renkaan (B) alaosan läpi, kunnes tilaa on riittäväksi kaksoishaaraisen liitoskohdan viemiseksi punoshihnojen ja selkäpehmusteen välitse.
 2. **Yhtä köyttä käytettäessä:** Aseta yksittäisen itsekelaatuvan turvaköyden leikarin lenkki keskellä olevaan avoimeen tilaan.
 3. **Kahta köyttä käytettäessä:** Aseta yhden itsekelaatuvan turvaköyden leikarin lenkki sokkaa lähimpänä olevaan avoimeen tilaan ja toinen itsekelaatuva turvaköysi sokasta kauimpana olevaan avoimeen tilaan.
 4. Liu'uta sokkaa taaksepäin, kunnes kuulet naksahduksen. Sokan tulee olla tiukasti lukittuna paikoilleen.
 5. Paina liu'utettaessa sokkaa ulos liittimen valjaiden puoleisella olevalla sivulta löytyviä kahta painiketta yhtä aikaa. Tämän sokan liu'uttaminen ulos luo avoimen tilan.
 6. Vedä ylös pieni määrä löysää punosta heti valjaiden selkäpuolen D-renkaan alapuolelta. Aseta liittimen valjaiden puoleinen osa D-renkaan alle.
 7. Liu'uta sokka takaisin paikoilleen, kunnes kuulet naksahduksen. Varmista samalla, että sokka jää valjaiden punoksen molempien kerrosten alle. Sokan tulee olla tiukasti lukittuna paikoilleen.

4.0 KÄYTTÖ

Itsekelaatuvia laitteita ensi kertaa käyttävien ja kokemattomien käyttäjien tulee lukea turvallisuustiedot tämän käyttöoppaan alusta ennen itsekelaatuvan laitteen käyttöä.

- 4.1 **ENNEN JOKAISTA KÄYTTÖKERTAA:** Ennen jokaista tämän putoamisenestolaitteen käyttökertaa laite tulee tarkistaa huolellisesti sen hyvän toimintakunnon varmistamiseksi. Tarkista, ettei siinä ole kuluneita tai vaurioituneita osia. Varmista, että kaikki pultit ovat paikallaan ja kiinnitettynä. Tarkista, että turvaköysi kelaatuu sisään oikein vetämällä köyttä ulos ja antaen sen kelaatua hitaasti takaisin. Mikäli kelaatuminen ei tapahdu täysin sujuvasti, yksikkö tulee poistaa käytöstä ja hävittää. Tarkista, ettei turvaköydessä ole viiltoja, ettei se ole rispaantunut ja ettei se ole palanut, murtunut tai syöpynyt. Tarkista lukittuminen nykäisemällä köyttä terävästi. Tarkemmat tarkastustiedot löytyvät tarkastus- ja huoltolokista (taulukko 3). Laitetta ei saa käyttää, mikäli se osoittautuu tarkastuksessa vaaralliseksi.
- 4.2 **PUTOAMISEN JÄLKEEN:** Kaikki sellaiset varusteet, jotka ovat altistuneet putoamisen pysäyttämismäisvoimalle tai joissa on taulukossa 3 kuvattuja putoamisen pysäyttämismäisvoiman aiheuttamia vaurioita, tulee poistaa käytöstä välittömästi ja hävittää.

- 4.3 KEHOTUKI:** Kokovartalovaljaat ovat pakolliset itsekelaavia laitteita käytettäessä. Yleisessä putoamisenestokäytössä voidaan liitos tehdä takaosan (selkäpuolen) D-renkaaseen.
- 4.4 LIITÄNTÖJEN TEKO:** Kuva 5 esittää valjas- ja kiinnityslitännät itsekelaavia laitteita käyttäville putoamissuojajärjestelmille. Kun koukkuu käytetään liitoksen tekoon, varmista, ettei sen avautuminen ole mahdollista (katso kuva 5). Älä käytä sellaisia koukkuja tai liittimiä, jotka eivät sulkeudu täysin kiinnityskohteen päälle. Älä käytä lukkiutumattomia jousihakoja. Kiinnityksen on täytettävä taulukossa 2 esitetyt kiinnityksen lujuusvaatimukset. Noudata kunkin järjestelmäkomponentin mukana tulleita valmistajan ohjeita.
- 4.5 KÄYTTÖ:** Tarkasta itsekelaava laite ennen käyttöä taulukossa 3 kuvatulla tavalla. Kuva 14 esittää itsekelaavan laitteen käytölle tyypillisiä liitäntöjä. Liitä itsekelaava laite sopivaan kiinnityspisteeseen tai kiinnitä itsekelaava laite kokovartalovaljaiden takaosaan osan 3 ohjeiden mukaisesti. Kiinnityspisteeseen kytketyissä itsekelaavissa laitteissa tulee kuormituksen ilmaisimen koukku (D) tai karbiinihaka liittää kokovartalovaljaissa olevaan selkäpuolen D-renkaaseen (A). Jos kyseessä on valjaisiin kiinnitetty itsekelaava laite, liitä koukku (D) tai karbiinihaka sopivaan kiinnityspisteeseen. Varmista, että liitännät ovat kooltaan, muodoltaan ja vahvuudeltaan yhteensopivia. Varmista, että koukut ovat täysin suljetut ja lukitut. Kun työntekijä on kiinni varusteissa, hän voi liikkua suositellulla työalueella vapaasti ja normaalia vauhtia. Putoamistapauksessa itsekelaava laite lukkiutuu ja pysäyttää putoamisen. Turvalaite tulee poistaa pelastustoimen jälkeen käytöstä. Itsekelaavan laitteen kanssa työskennellessä turvaköyden on aina annettava kelaava hallitusti takaisin laitteeseen.
- 4.6 KAHDEN ITSEKELAAVAN LAITTEEN LIITOSKOHDAN 100-PROSENTTINEN KIINNITYS:** Kun kaksi itsekelaavaa laitetta kiinnitetään rinnakkain kokovartalovaljaiden takaosaan, itsekelaavaa laitetta hyödyntävää putoamissuojajärjestelmää voidaan käyttää jatkuvaan putoamissuojaukseen (100-prosenttinen kiinnitys) kiivettäessä ylös tai alas tai liikuttaessa sivuttain (ks. kuva 15). Kun yhden itsekelaavan laitteen turvahihnaosuus kiinnitetään kiinnityspisteeseen, työntekijä voi siirtyä uuteen työpisteeseen, kiinnittää toisen itsekelaavan laitteen käyttämättömän turvahihnaosuuden toiseen kiinnityspisteeseen ja sitten kytkeytyä irti alkuperäisestä kiinnityskohdasta. Tätä järjestystä toistetaan, kunnes työntekijä saavuttaa halutun määrän. Kahdella itsekelaavalla laitteella varustetuissa, 100-prosenttista kiinnitystä käyttävissä käyttökohteissa on huomioitava seuraavat asiat:
- Molempia itsekelaavien laitteiden turvahihnoja ei saa koskaan kiinnittää samaan kiinnityspisteeseen (ks. kuva 16A).
 - Useamman kuin yhden liittimen kiinnittäminen yhteen kiinnityspisteeseen (rengas tai lenkki) voi vaarantaa liitännän yhteensopivuuden johtuen liittinten välisestä vuorovaikutuksesta, eikä sitä suositella.
 - Kunkin itsekelaavan laitteen turvahihnan kytkeminen erillisiin kiinnityspisteisiin on hyväksyttävää (kuva 16B).
 - Kunkin liitospaikan tulee kestää itsenäisesti 10 kN:n (2 248 lbs) kuormitus tai kyseessä tulee olla tekninen järjestelmä, kuten vaakasuuntainen turvaköysi.
 - Kahden itsekelaavan laitteen järjestelmään saa kytkeä vain yhden henkilön kerrallaan (kuva 16C).
 - On huolehdittava siitä, että turvahihnat eivät mene sekaisin tai kierry yhteen, sillä tämä voi estää niiden kelaamisen takaisin.
 - On huolehdittava siitä, että turvahihna ei pääse liikkumaan käsivarsien alle tai jalkojen väliin käytön aikana.
- 4.7 KAHDEN ITSEKELAAVAN LAITTEEN KIINNITTÄMINEN SELKÄPUOLEN D-RENKAASEEN:** Kolminkertaisen karbiinihaan sisältävät mallit voidaan kiinnittää selkäpuolen D-renkaaseen kahta köyttä käytettäessä. Kahden itsekelaavan laitteen kiinnittäminen valjaiden selkäpuolen D-renkaaseen (kuva 13):
- 1. Kolminkertaisen karbiinihaan avaaminen:** Kun kolminkertainen karbiinihaka on käännetty kuvan osoittamaan suuntaisesti, paina sulkuholkia (C) oikealle ja käännä sitä sitten myötäpäivään, jotta kita (D) avautuu. Avaa kita (D) kääntämällä se alas.
 - 2. Ensimmäisen itsekelaavan laitteen kiertäminen kolminkertaiseen karbiinihakaan:** Pujota liittimen (E) kärki itsekelaavassa laitteessa olevan leikarin lenkin (F) läpi ja kierrä sitten itsekelaava laite liittimen (G) kitapään ympäri. Portti voidaan sulkea, jotta leikarille jää tilaa portin ja liittimen selän väliin.
 - 3. Toisen itsekelaavan laitteen lisääminen kolminkertaiseen karbiinihakaan:** Liu'uta itsekelaavan laitteen leikarin lenkki (F) liittimen (E) kärjen yli.
 - 4. Kolminkertaisen karbiinihaan kiertäminen D-renkaan läpi:** Pujota liittimen kärki (E) selkäpuolen D-renkaan (A) läpi. Kierrä liitintä D-renkaan läpi, kunnes kita voidaan sulkea.
 - 5. Kolminkertaisen karbiinihaan sulkeminen:** Anna portin (G) kääntyä kiinni ja lukitusholkin (C) kiertyä takaisin lukittuun asentoon.
- 4.8 VAAKASUUNTAISET JÄRJESTELMÄT:** Jos itsekelaavaa laitetta käytetään yhdessä vaakasuuntaisen järjestelmän kanssa (esim. vaakasuuntainen turvaköysi, vaakasuuntaiset I-palkit ja tangot), itsekelaavan laitteen ja vaakasuuntaisen järjestelmän osien tulee olla yhteensopivia. Vaakasuuntaiset järjestelmät tulee suunnitella ja asentaa teknisen asiantuntijan valvonnassa. Lisätietoja vaakasuuntaisesta järjestelmälaitteistosta löytyy valmistajan käyttöohjeista.

Kuvan 4 esteettömän putoamiskorkeuden arvot perustuvat kiinteään ja liikkumattomaan kiinnityskohtaan tehtyyn kiinnitykseen, eivätkä ne päde kiinnitettäessä vaakasuuntaisella turvaköydellä varustettuun järjestelmään. Vaaditut esteettömät putoamiskorkeudet voi selvittää tutustumalla vaakasuuntaisen turvaköyden käyttöohjeeseen sekä keskustelemalla vaakasuuntaisen turvaköyden asentajan kanssa.

5.0 Tarkastus

- 5.1 RFID-TUNNISTE:** Itsekelautuva laite sisältää radiotaajuustunnistusmerkinnän (RFID-merkintä) (ks. kuva 17). RFID-tunnistetta voidaan käyttää yhdessä käsikäyttöisen lukulaitteen ja verkkoportaalin kanssa yksinkertaistamaan tarkastusta ja varastokirjanpitoa sekä tukemaan putoamissuojaimia koskevaa kirjanpitoa. Lisätietoja saa ottamalla yhteyttä 3M-asiakaspalvelun edustajaan (ks. takakansi). Tiedot siirretään verkkolokiin noudattamalla käsikäyttöisen lukulaitteen tai verkkoportaalin ohjeita.
- 5.2 TARKASTUSVÄLI:** Itsekelautuva laite tulee tarkistaa kohdassa 2 annettujen tarkastusvälien mukaisesti. Tarkastustoimet on kuvattu kappaleessa "Tarkastus- ja kunnossapitoloki" (taulukko 3).

Äärimmäiset työolosuhteet (vaativat ympäristöt, pitkäaikainen käyttö jne.) saattavat edellyttää tarkastusten suorittamista useammin (ks. taulukko 2).

- 5.3 VAARALLISET TAI VIALLISET OLOSUHTEET:** Jos tarkastuksessa ilmenee jokin vaaratekijä tai vika, tulee itsekelautuva laite poistaa käytöstä välittömästi ja hävittää (ks. osa 6).

Vain 3M tai sen kirjallisesti valtuuttamat tahot saavat tehdä korjauksia tähän laitteeseen.

- 5.4 TUOTTEEN KÄYTTÖIKÄ:** 3M:n itsekelautuvien laitteiden käyttöikä riippuu käyttöolosuhteista ja kunnossapidosta. Tuotetta voidaan käyttää niin kauan kuin se läpäisee tarkastuskriteerit (enimmäiskäyttöiän puitteissa). Kangaspunoksellisilla turvaköysillä varustettujen itsekelautuvien laitteiden enimmäiskäyttöikä on korkeintaan kymmenen vuotta valmistuspäivämäärästä.

6.0 HUOLTO, YLLÄPITO ja SÄILYTYS

- 6.1 PUHDISTUS:** Itsekelautuvat laitteet puhdistetaan seuraavasti:

- Itsekelautuvan laitteen ulkopuoliset osat tulee puhdistaa säännöllisesti vedellä ja miedolla pesuaineella. Aseta itsekelautuva laite niin, että liika vesi valuu pois. Puhdista merkinnät tarpeen mukaan.
- Puhdista punosturvaköysi miedolla saippualla ja vedellä. Huuhtelee ja anna kuivua täysin. Älä kuivaa kuumentamalla. Turvaköyden tulee olla kuivunut, ennen kuin sen annetaan kelautua koteloonsa. Liialliset lika- ja maalikeräytymät yms. saattavat estää turvahihnan täydellisen kelautumisen takaisin koteloon, aiheuttaen vapaan pudotuksen vaaran.

- 6.2 HUOLTO:** Itsekelautuvia laitteita ei voi korjata. Mikäli itsekelautuvaan laitteeseen on kohdistunut putoamisvoimaa tai mikäli tarkastuksessa ilmenee jokin vaaratekijä tai vika, tulee turvaköysi poistaa käytöstä ja hävittää (ks. "Hävittäminen").

- 6.3 KULJETUS/SÄILYTYS:** Itsekelautuvia laitteita tulee säilyttää viileässä, kuivassa ja puhtaassa paikassa suoralta auringonvalolta suojattuna. Myös kuljetuksen tulee tapahtua samanlaisissa olosuhteissa. Vältä alueita, joilla saattaa esiintyä kemiallisia höyryjä. Itsekelautuva laite tulee aina tarkistaa perinpohjaisesti pitkäaikaisen varastoinnin jälkeen.

- 6.4 HÄVITTÄMINEN:** Hävitä itsekelautuva laite, jos siihen on kohdistunut pudotusvoimaa tai tarkastuksessa ilmenee, että se ei ole turvallinen tai että se on viallinen. Ennen itsekelautuvan laitteen hävittämistä turvaköysi tulee leikata kahtia tai muutoin estää kyseisen itsekelautuvan laitteen käyttö, jotta sen tahaton uudelleenkäyttö on mahdotonta.

7.0 Merkinnät

Kuvassa 22 näkyvät itsekelautuvien laitteiden merkinnät ja niiden sijainnit. Kaikkien itsekelautuvan laitteen merkintöjen tulee olla kiinnitettynä. Merkinnät tulee uusia, jos ne eivät ole täysin luettavissa. Merkintöjen kuvat tarkoittavat seuraavaa:

1	Tarkasta karabiinihaka ja iskuvoiman osoitin
2	Tarkasta turvaköyden lukitustoiminta
3	Oikea tapa liittää turvaköysi valjaisiin
4	Ei sertifioitu terävien reunojen läheisyydessä tapahtuvaan käyttöön. Voidaan kiinnittää selkäpuolen D-renkaan yläpuolella, alapuolella tai sen kanssa samalla tasolla olevaan kiinnityspisteeseen (enintään 140 kg).
5	Käyttölämpötilaväli -40 – +60 °C
6	Enimmäiskapasiteetti 140 kg
7	Turvaköyden on aina annettava vetäytyä hallittavan turvaköysiyksikön sisään
8	Ei saa korjata
9	Säilytettävä viileässä, kuivassa ja puhtaassa ympäristössä suojassa suoralta auringonvalolta.
10	Ei saa kuormittaa reunan yli
11	Merkintää ei saa poistaa

Taulukko 3 – tarkastus- ja kunnossapitoloki

Sarjanumero(t):		Ostopäivämäärä:	
Mallinumero:		Ensimmäisen käyttökerran päivämäärä:	
Tarkastuspäivä:		Tarkistanut:	
Osa:	Tarkastus: (Katso tarkastusten tiheys osiosta 2)	Hyväksytty	Hylätty
Itsekelautuva laite (Kuva 18)	Tarkista, ettei varusteessa ole löysiä kiinnittimiä eikä vääntyneitä tai vaurioituneita osia.	<input type="checkbox"/>	<input type="checkbox"/>
	Tarkista, ettei laitteen kotelossa (A) ole vääntymiä, halkeamia tai muita vaurioita.	<input type="checkbox"/>	<input type="checkbox"/>
	Tarkista, ettei leikarissa (B), leikarilenkissä (C) ja yhdysrakenteisessa liittimessä (D) ole vääntymiä, halkeamia tai muita vaurioita. Leikarin tulee olla tukevasti kiinnitetty itsekelautuvaan turvaköyteen, mutta sen tulee voida kääntyä vapaasti. Leikarilenkin eli olennaisen liittimen tulee pyöriä vapaasti leikarissa.	<input type="checkbox"/>	<input type="checkbox"/>
	Valjasturvaköyden (E) tulee liikkua ulos ja sisään täysin esteettä tai löystymättä.	<input type="checkbox"/>	<input type="checkbox"/>
	Itsekelautuvan laitteen tulee lukittua turvaköydestä nykäistäessä nopeasti. Lukitus ei saa luistaa.	<input type="checkbox"/>	<input type="checkbox"/>
	Kaikkien merkintöjen tulee olla kiinnitettyjä sekä täysin lukukelpoisia (ks. kuva 20).	<input type="checkbox"/>	<input type="checkbox"/>
	Tarkista, että itsekelautuvassa laitteessa ei näy syöpymisen merkkejä missään kohtaa.	<input type="checkbox"/>	<input type="checkbox"/>
Päätyliittimet (Kuva 19)	Taulukko 2 esittää päätyliittimet, joiden tulee sisältyä omaan itsekelautuvaan Nano-Lok-laitemalliisi. Tarkista kaikki karbiinihaat, karbiinit, raudoitustankokoukut, liittynät jne. vaurioiden sekä syöpymien varalta ja tarkista oikea toimintakunto. Jos käytössä: Porttien tulee avautua, sulkeutua ja lukittua oikein, ja lukituspainikkeiden sekä -sokkien tulee toimia oikein.	<input type="checkbox"/>	<input type="checkbox"/>
Punosturvaköysi (kuva 20)	Punosmateriaalissa ei saa olla viiltoja (A), rispaantumia (B) tai katkenneita säikeitä. Tarkista, ettei siinä ole repeämiä, kulumia, suuria määriä likaa (C), hometta, palojälkiä (D) tai haalistumia. Tarkista, ettei ompeleissa ole venymiä tai katkeamia. Katkenneet ompeleet voivat olla merkki siitä, että valjaisiin on kohdistunut iskuvoimaa, jolloin ne tulee poistaa käytöstä.	<input type="checkbox"/>	<input type="checkbox"/>
Nykyksenvaimennin (Kuva 21)	Varmista, että kiinteä nykyksenvaimennin ei ole aktivoitunut. Avoin suojus tai repeytynyt suojus (A), suojuksesta irronnut verkko, repeytynyt tai rispaantunut verkko (B), repeytynyt tikkaus jne. ovat merkkejä aktivoituneesta nykyksenvaimentimesta.	<input type="checkbox"/>	<input type="checkbox"/>
Korjaava toimi / kunnossapito:		Hyväksyjä:	
		Päivämäärä:	
Korjaava toimi / kunnossapito:		Hyväksyjä:	
		Päivämäärä:	
Korjaava toimi / kunnossapito:		Hyväksyjä:	
		Päivämäärä:	
Korjaava toimi / kunnossapito:		Hyväksyjä:	
		Päivämäärä:	
Korjaava toimi / kunnossapito:		Hyväksyjä:	
		Päivämäärä:	
Korjaava toimi / kunnossapito:		Hyväksyjä:	
		Päivämäärä:	
Korjaava toimi / kunnossapito:		Hyväksyjä:	
		Päivämäärä:	
Korjaava toimi / kunnossapito:		Hyväksyjä:	
		Päivämäärä:	

CONSIGNES DE SÉCURITÉ

Veillez lire, comprendre et suivre toutes les consignes de sécurité contenues dans ces instructions avant d'utiliser ce dispositif de rappel automatique (Self-Retracting Device, SRD). LE NON-RESPECT DE CES INSTRUCTIONS PEUT CAUSER DES BLESSURES GRAVES OU LA MORT.

Ces instructions doivent être transmises à l'utilisateur de cet équipement. Conservez ces instructions pour vous y référer ultérieurement.

Utilisation prévue :

Ce dispositif de rappel automatique est conçu pour être utilisé comme élément d'un système antichute individuel complet.

Toute utilisation pour d'autres applications, y compris, mais sans s'y limiter, la manutention de matériaux, des activités de loisirs ou sportives, ou d'autres activités non décrites dans les instructions d'utilisateurs, n'est pas approuvée par 3M et pourrait entraîner des blessures graves ou mortelles.

Ce dispositif ne doit être utilisé que par des utilisateurs formés pour des applications sur le lieu de travail.

! AVERTISSEMENT

Ce dispositif de rappel automatique fait partie d'un système antichute individuel complet. Tous les utilisateurs doivent être solidement formés à l'installation et au fonctionnement sécurisés de leur système antichute individuel. **Une mauvaise utilisation de ce dispositif pourrait entraîner des blessures graves ou être mortelle.** Pour une sélection, un fonctionnement, une installation, une maintenance et un entretien corrects, suivez ces instructions d'utilisation, y compris toutes les recommandations du fabricant, consultez votre superviseur ou contactez les services techniques 3M.

- **Pour réduire les risques associés au travail avec un SDR qui, en l'absence de protection, pourraient entraîner des blessures graves ou mortelles :**
 - Avant chaque utilisation, inspectez le SRD et vérifiez le bon fonctionnement du verrouillage et de la rétractation.
 - Si l'inspection effectuée fait apparaître un défaut ou un danger, retirez immédiatement le dispositif du service et réparez-le ou remplacez-le en respectant les instructions d'utilisation.
 - Si le dispositif SRD a été soumis à une force antichute ou un impact, cessez immédiatement de l'utiliser et marquez-le comme « INUTILISABLE ».
 - Vérifiez que la ligne de vie ne rencontre aucun obstacle, notamment, mais sans s'y limiter, les enchevêtrements avec des machines ou des équipements en mouvement (par exemple, les mécanismes d'entraînement par le haut des plates-formes pétrolières), les autres ouvriers, vous-même, les objets à proximité ou les impacts d'objets situés en hauteur qui pourraient tomber sur la ligne de vie ou sur l'ouvrier.
 - Évitez tout relâchement de la ligne de vie. N'attachez pas et ne nouez pas la ligne de vie.
 - Attachez la ou les patte(s) inutilisée(s) du SRD monté sur le harnais au(x) système(s) de fixation du harnais s'il en dispose.
 - N'utilisez pas le dispositif pour des applications dont le chemin de chute comporte des obstacles. Le travail sur des matériaux qui se déplacent lentement, comme le sable ou le gravier, ou dans des espaces confinés ou encombrés, peut empêcher le travailleur d'atteindre une vitesse suffisante pour déclencher le verrouillage du SDR. Un environnement dégagé est indispensable pour assurer un verrouillage correct du SDR.
 - Évitez les mouvements soudains ou rapides lors des périodes de travail normales. Ils peuvent entraîner le verrouillage du dispositif.
 - Assurez-vous que les systèmes/sous-systèmes antichute assemblés avec des composants provenant de divers fabricants sont compatibles et respectent les exigences des normes applicables, y compris la norme ANSI Z359 ou d'autres codes, normes ou contraintes de protection contre les chutes. Consultez systématiquement une personne compétente et/ou qualifiée avant l'utilisation de ces systèmes.
- **Pour réduire les risques associés au travail en hauteur qui, faute de protection, peuvent entraîner des blessures graves ou mortelles :**
 - Assurez-vous que votre santé et votre condition physique vous permettent de supporter en toute sécurité les forces associées au travail en hauteur. Consultez votre médecin si vous avez des questions concernant votre aptitude à utiliser cet équipement.
 - Ne dépassez jamais les limites autorisées pour votre équipement antichute.
 - Ne dépassez jamais la distance de chute libre maximale de votre équipement antichute.
 - N'utilisez aucun équipement antichute qui n'a pas satisfait aux inspections avant utilisation ou aux autres inspections programmées, ou si vous avez des préoccupations concernant l'utilisation ou la compatibilité de l'équipement avec votre application. Contactez les services techniques de 3M si vous avez des questions.
 - Certaines combinaisons de sous-systèmes et de composants peuvent gêner le fonctionnement de cet équipement. Utilisez uniquement des raccords compatibles. Consultez 3M avant d'utiliser cet équipement conjointement avec des composants ou des sous-systèmes autres que ceux décrits dans les instructions d'utilisation.
 - Soyez particulièrement vigilant(e) lorsque vous travaillez autour des machines en mouvement (par exemple, les mécanismes d'entraînement par le haut des plates-formes pétrolières), en cas de risques électriques, de températures extrêmes, de risques chimiques, en présence de gaz explosifs ou toxiques, d'arêtes vives, ou de matériaux suspendus pouvant chuter sur vous ou sur l'équipement.
 - Utilisez des dispositifs de protection contre les arcs électriques ou conçus pour le travail à température élevée dans les environnements à chaleur intense.
 - Évitez les surfaces et les objets qui peuvent endommager l'utilisateur ou l'équipement.
 - Vérifiez que vous disposez d'une distance d'arrêt adaptée lorsque vous travaillez en hauteur.
 - Ne modifiez ni n'altérez jamais votre équipement antichute. Seul 3M ou les parties agréées par écrit par 3M peuvent réparer cet équipement.
 - Avant l'utilisation d'un équipement antichute, vérifiez qu'un plan de sauvetage est mis en place et qu'il permettra d'effectuer un sauvetage rapide si une chute se produit.
 - En cas de chute, faites immédiatement intervenir un médecin auprès du travailleur qui est tombé.
 - N'utilisez pas de ceinture de travail pour les applications de prévention antichute. Utilisez uniquement un harnais intégral.
 - Réduisez le risque d'effets pendulaires en travaillant autant que possible directement sous le point d'ancrage.
 - Lors de la formation à l'utilisation de ce dispositif, vous devez utiliser un système antichute secondaire afin de ne pas exposer la personne formée à un risque de chute involontaire.
 - Portez toujours un équipement de protection individuelle approprié lors de l'installation, de l'utilisation ou de l'examen du dispositif/système.

Avant d'utiliser cet équipement, consigner les informations d'identification du produit indiquées sur l'étiquette d'identification dans le « Journal d'inspection et d'entretien » qui se trouve au dos du présent manuel.

DESCRIPTION :

La Figure 2 identifie les composants clés des dispositifs de sécurité auto-rétractables 3M™ DBI-SALA® Nano-Lok (Self-Retracting Devices, SRD). Les SRD Nano-Lok sont des lignes de vie à câble enroulé autour d'un tambour (A) avec un absorbeur d'énergie (B) qui se rétractent dans un carter en nylon (C). Le sommet du carter comporte un œillet du tourillon (D) permettant le raccord à un point d'ancrage valide à l'aide d'un mousqueton (E) ou la fixation à un harnais intégral à l'aide d'une interface de harnais (F). La Figure 1 identifie les modèles Nano-Lok disponibles et leurs configurations de connecteurs. Consulter le Tableau 1 pour connaître les spécifications de la SRD Nano-Lok et des connecteurs.

Tableau 1 – Spécifications

Spécifications des composants :

Carters des dispositifs antichute à rappel automatique	Nylon
Touret	Nylon
Composants internes	Acier inoxydable, aluminium
Ligne de vie	Polyester Dyneema
Absorbeur d'énergie	Couvercle : Caoutchouc nitrile, sangle : Polyester, Couture : Fil polyester ou nylon
Tourillon	Acier plaqué zingué

Spécifications du connecteur :

	Description	Matériau	Ouverture clavette	Résistance de l'ouverture	Résistance à la traction
①	Émerillon	Acier	22,35 mm (0,88 po) diamètre intérieur	X	22,2 kN (2 268 kg, 5 000 lb)
②	Mousqueton	Aluminium	19 mm (3/4 po)	16 kN (1 631 kg, 3 600 lb)	22,2 kN (2 268 kg, 5 000 lb)
③	Mousqueton	Acier	19 mm (3/4 po)	16 kN (1 631 kg, 3 600 lb)	22,2 kN (2 268 kg, 5 000 lb)
④	Interface de fixation SRD simple	Acier	51 mm (2 po)	16 kN (1 631 kg, 3 600 lb)	22,2 kN (2 268 kg, 5 000 lb)
⑤	Interface de fixation SRD double	Insert en acier/nylon	19 mm (3/4 po)	16 kN (1 631 kg, 3 600 lb)	22,2 kN (2 268 kg, 5 000 lb)
⑥	Mousqueton	Aluminium, acier	56 mm (2,19 po)	16 kN (1 631 kg, 3 600 lb)	22,2 kN (2 268 kg, 5 000 lb)
⑦	Mousqueton	Aluminium	19 mm (3/4 po)	16 kN (1 631 kg, 3 600 lb)	22,2 kN (2 268 kg, 5 000 lb)
⑧	Mousqueton automatique	Aluminium	57 mm (2-1/4 po)	16 kN (1 631 kg, 3 600 lb)	22,2 kN (2 268 kg, 5 000 lb)
⑨	Mousqueton automatique	Aluminium	63 mm (2-1/2 po)	16 kN (1 631 kg, 3 600 lb)	22,2 kN (2 268 kg, 5 000 lb)
⑩	Mousqueton	Aluminium	52 mm (2 po)	16 kN (1 631 kg, 3 600 lb)	22,2 kN (2 268 kg, 5 000 lb)
⑪	Mousqueton automatique	Aluminium, acier	63 mm (2-1/2 po)	16 kN (1 631 kg, 3 600 lb)	22,2 kN (2 268 kg, 5 000 lb)
⑫	Mousqueton	Acier	19 mm (3/4 po)	16 kN (1 631 kg, 3 600 lb)	22,2 kN (2 268 kg, 5 000 lb)
⑬	Mousqueton automatique	Aluminium	57 mm (2-1/4 po)	16 kN (1 631 kg, 3 600 lb)	22,2 kN (2 268 kg, 5 000 lb)
⑭	Mousqueton	Acier	19 mm (3/4 po)	16 kN (1 631 kg, 3 600 lb)	22,2 kN (2 268 kg, 5 000 lb)

Spécifications de performance :

Spécifications du dispositif antichute à rappel automatique (Vertical)	Modèles CE	
	Plage de capacités	59 à 100 kg (130 à 220 lb)
Force d'arrêt maximum	6 kN (611 kg, 1 350 lb)	6 kN (611 kg, 1 350 lb)
Force d'arrêt moyenne	4 kN (407 kg, 900 lb)	4 kN (407 kg, 900 lb)
Distance d'arrêt maximale revendiquée¹	0,61 m (24 po)	0,61 m (24 po)
Distance d'arrêt minimum requise²	1,5 m (5 pi)	1,8 m (5,8 pi)
Chute libre maximum²	1,5 m (5 pi)	1,5 m (5 pi)

1 - Suppose que le dispositif antichute à rappel automatique est monté directement au-dessus (du niveau de la tête) de l'utilisateur final.

2 - Mesurée depuis le D d'accrochage de l'utilisateur jusqu'à la surface de marche/travail. Consulter le ou les tableaux des distances d'arrêt pour plus de détails.

1.0 APPLICATIONS

- 1.1 OBJECTIF :** Les dispositifs de sécurité autorétractables (SRD) sont conçus pour être utilisés comme des composants d'un équipement de protection individuelle (EPI) antichute. La figure 1 représente les SRD couverts par ce manuel d'instructions. Ils peuvent être utilisés dans la plupart des situations nécessitant à la fois la mobilité de l'ouvrier et sa protection contre les chutes (travail d'inspection, constructions diverses, entretien, production pétrolière, travail en espace confiné, etc.).
- 1.2 NORMES :** Votre dispositif de sécurité autorétractable est conforme aux normes nationales ou régionales présentées sur la page de couverture de ces instructions. Reportez-vous aux exigences locales, étatiques et fédérales (OSHA) régissant la sécurité au travail pour de plus amples renseignements concernant les dispositifs de protection individuelle antichute.
- 1.3 FORMATION :** ce dispositif doit être utilisé par des personnes formées à sa mise en place et à son utilisation. L'utilisateur est tenu de se familiariser avec ces instructions et de suivre une formation pour entretenir et utiliser correctement les équipements. L'utilisateur doit également connaître les caractéristiques de fonctionnement, les limites d'application et les conséquences d'une utilisation inappropriée de cet équipement.
- 1.4. LIMITES :** Vous devez toujours consulter les limites ci-dessous avant d'installer ou d'utiliser cet équipement :

- **Capacité :** Les SRD sont conçus pour un usage individuel avec un poids combiné (vêtements, outils, etc.) dans la *Limite de capacité* spécifiée dans le tableau 1. Vérifier que tous les éléments de votre système sont compatibles avec une capacité correspondant à votre application.
- **Ancrage :** la structure de l'ancrage du SRD doit pouvoir supporter des charges allant jusqu'à 12 kN (1 223 kg). Les dispositifs d'ancrage doivent être conformes à la norme EN795 ou d'autres normes de connecteurs d'ancrage applicables.
- **Vitesse de blocage :** Les situations qui ne permettent pas un chemin de chute dégagé doivent être évitées. Travailler dans des espaces confinés ou restreints, ou sur une surface en angle, ne permet pas toujours au corps d'atteindre une vitesse suffisante pour que le SRD se verrouille en cas de chute. Travailler sur des matériaux légèrement instables, comme le sable ou le gravier, risque également de ne pas permettre une vitesse suffisante pour occasionner le verrouillage du dispositif de sécurité autorétractable. Un environnement dégagé est indispensable pour assurer un verrouillage correct du SDR.
- **Chute libre :** lorsque les SRD sont ancrés au-dessus du niveau de la tête, ils limitent la distance de chute libre à 0,6 m (2 pi)¹. Pour éviter toute augmentation de la distance de chute, ancrer le SRD directement au-dessus du niveau de travail. Ne jamais attacher le SRD à un point d'ancrage qui pourra créer une chute libre de plus de 1,5 m (5 pi). Évitez de travailler dans les endroits où votre ligne de vie risque de se croiser ou de s'emmêler avec celle d'un autre ouvrier. Évitez de travailler dans les endroits où des objets peuvent tomber et heurter la ligne de vie, entraînant ainsi la perte d'équilibre ou l'endommagement de la ligne de vie. Ne laissez pas la ligne de vie passer sous vos bras ou entre vos jambes. Ne pincez et ne nouez jamais la ligne de vie, et ne l'empêchez pas de se rétracter ou de se tendre. Évitez qu'il y ait du mou dans la ligne. **Ne rallongez pas le dispositif de sécurité autorétractable en reliant une longe ou un autre composant similaire sans consulter 3M.**
- **Chutes en mouvement pendulaire :** les effets pendulaires se produisent lorsque le point d'ancrage ne se trouve pas directement au-dessus du point de chute. Heurter un objet pendant une chute pendulaire peut causer des blessures graves (voir la figure 3A). Réduisez le risque d'effets pendulaires en travaillant autant que possible directement sous le point d'ancrage (figure 3B). Travailler loin du point d'ancrage (figure 3C) augmentera l'impact d'un effet pendulaire ainsi que la distance d'arrêt requise.
- **Dégagement en cas de chute :** La figure 3B représente le calcul de la distance d'arrêt. La distance d'arrêt (Fall Clearance, FC) est la somme de la chute libre (Free Fall, FF), de la distance de décélération (Deceleration Distance, DD) et d'un facteur de sécurité (Safety Factor, SF) : $FC = FF + DD + SF$. Le D d'accrochage et le tendeur du harnais sont inclus dans le facteur de sécurité. Les valeurs de la distance d'arrêt ont été calculées et incluses dans la figure 4. Un facteur de sécurité de 1 m (3,28 pi) a été utilisé pour toutes les valeurs de la figure 4.

La figure 4 représente la distance d'arrêt (FC) en fonction de la distance horizontale (H) et verticale (V) entre la connexion dorsale du SRD et le point d'ancrage. Chaque ligne horizontale du/des tableau(x) représente la distance verticale à partir du point d'ancrage. Chaque ligne verticale représente la distance horizontale à partir du point d'ancrage. La distance d'arrêt (FC) est déterminée par la zone (lignes paraboliques) dans laquelle les lignes Horizontale (H) et Verticale (V) se croisent. L'exemple dans la figure 4 montre comment déterminer la distance d'arrêt (FC) requise pour les distances Horizontale (H) et Verticale (V) établies.

Points d'ancrage variables : Les distances d'arrêt dans la Figure 4 sont basées sur un point d'ancrage rigide et stationnaire. En cas d'ancrage à une ligne de vie Horizontale (Horizontal Lifeline, HLL) ou de point d'ancrage pouvant se déplacer, glisser ou se déformer lors d'une chute, les valeurs de la distance d'arrêt de la Figure 4 ne s'appliquent pas. Référez-vous aux instructions sur la HLL et l'ancrage pour obtenir plus de détails concernant les distances d'arrêt requises, les déflexions et/ou les déformations.

S'agenouiller ou s'accroupir : les tableaux de la distance d'arrêt dans la figure 4 présupposent que le travailleur est debout. Si le travailleur est agenouillé ou accroupi, une distance d'arrêt supplémentaire de 0,9 m (3 pi) est requise.

Ne jamais ancrer en-dessous des pieds : ne jamais raccorder à un point d'ancrage en-dessous des pieds.

- **Risques :** l'utilisation de cet équipement dans un environnement à risque peut nécessiter des précautions supplémentaires pour réduire le risque de blessure ou de détérioration de l'équipement. Les risques comprennent, mais sans s'y limiter, la chaleur intense, les produits chimiques caustiques, les environnements corrosifs, les lignes à haute tension, les gaz explosifs ou toxiques, les engins en mouvement ou les matériaux situés au-dessus de la tête pouvant tomber et toucher l'utilisateur ou le dispositif antichute. Évitez de travailler dans les endroits où votre ligne de vie risque de se croiser ou de s'emmêler avec celle d'un autre ouvrier. Évitez de travailler dans les endroits où des objets peuvent tomber et heurter la ligne de vie, entraînant ainsi la perte d'équilibre ou l'endommagement de la ligne de vie. Ne laissez pas la ligne de vie passer sous vos bras ou entre vos jambes.
- **Arrêtes vives :** Les arêtes vives avec lesquelles la ligne de vie du SRD peut entrer en contact lors d'une chute doivent avoir un rayon minimal de 0,3 cm (0,125 po). Aux endroits où le contact est inévitable, couvrez l'arête vive avec un matériau de protection.

¹ **Chute libre :** une application correcte du SRD, avec le travailleur travaillant directement en-dessous du point d'ancrage et sans relâchement de la ligne de vie, éliminera les risques de chute libre. Voir la figure 4 pour les emplacements d'ancrage acceptables.

2.0. Utilisation du dispositif

- 2.1 PLAN DE PROTECTION ANTICHUTE ET PLAN DE SAUVETAGE :** l'employeur doit avoir un plan de protection antichute et un plan de sauvetage. Le plan doit comprendre des directives et des exigences pour le programme de protection antichute de l'employeur, avec des politiques, des obligations et des formations ; des procédures de protection antichute ; des mesures d'élimination et de contrôle des risques de chute ; des procédures de sauvetage ; des investigations sur les incidents ; et un programme d'évaluation de l'efficacité.
- 2.2. FRÉQUENCE D'INSPECTION :** les SRD doivent être inspectés par la personne agréée¹ ou par le sauveteur² avant chaque utilisation (voir le tableau 3). En outre, des inspections doivent être menées par une personne qualifiée³ autre que l'utilisateur. Des conditions de travail extrêmes (environnement hostile, utilisation prolongée, etc.) peuvent nécessiter des inspections plus fréquentes par une personne compétente. La personne compétente doit utiliser le *Calendrier d'inspection (tableau 2)* pour déterminer les intervalles d'inspection appropriés. Les procédures d'inspection sont décrites dans le *Journal d'inspection et d'entretien (tableau 3)*. Les résultats de l'inspection par la personne compétente doivent être enregistrés dans le *Journal d'inspection et d'entretien* ou dans le système RFID (voir la Section 5).
- 2.3 UTILISATION NORMALE :** l'utilisation normale permettra à la ligne de vie de s'allonger et de se rétracter de toute sa longueur sans difficulté ou relâchement pendant que le travailleur se déplace à une vitesse normale. En cas de chute, un système de freinage à détection de vitesse s'active, arrêtant la chute et absorbant la majorité de l'énergie générée. Éviter tout mouvement brusque ou rapide pendant une utilisation normale qui risquerait de verrouiller le dispositif de sécurité autorétractable. Pour les chutes qui se produisent presque à la fin de la course de la ligne de vie, un système de réserve de ligne de vie ou un absorbeur d'énergie a été incorporé pour réduire les forces d'impact.
- 2.4 SUPPORT DU CORPS :** un harnais intégral doit être utilisé avec le dispositif de sécurité autorétractable. Le point de raccordement du harnais doit être situé au-dessus du centre de gravité de l'utilisateur. L'utilisation d'une ceinture de travail n'est pas autorisée avec le dispositif de sécurité autorétractable. En cas de chute, la ceinture de travail peut se relâcher accidentellement ou provoquer des traumatismes physiques dus à un support du corps insuffisant.
- 2.5 COMPATIBILITÉ DES COMPOSANTS :** sauf indication contraire, l'équipement 3M est destiné à être utilisé uniquement avec des composants et des sous systèmes agréés. La substitution ou le remplacement de pièces par des composants ou des sous-composants non approuvés peut compromettre la compatibilité de l'équipement et affecter la sécurité et la fiabilité de l'ensemble du système.
- 2.6 COMPATIBILITÉ DES CONNECTEURS :** Les connecteurs sont considérés comme compatibles avec les éléments de raccordement lorsqu'ils ont été conçus de sorte que ni leur taille ni leur forme ne provoquent l'ouverture spontanée de leur mécanisme d'ouverture, quelle que soit leur orientation. Pour toute question concernant la compatibilité, contacter 3M. Les connecteurs (crochets, mousquetons et D d'accrochage) doivent être capables de supporter au moins 22,2 kN (2 268 kg). Les connecteurs doivent être compatibles avec l'ancrage ou tout autre composant du dispositif. Ne pas utiliser un équipement non compatible. Les connecteurs non compatibles peuvent se désengager accidentellement (voir figure 5). Les connecteurs doivent être compatibles par leur taille, leur forme et leur résistance. Des crochets mousquetons à verrouillage automatique et des mousquetons sont requis. Si l'élément de raccordement est doté d'un mousqueton trop petit ou de forme irrégulière, il se peut que l'élément de raccordement applique une force sur le mécanisme d'ouverture du mousqueton (A). Cette force pourrait entraîner l'ouverture du mécanisme (B) et provoquer le détachement du mousqueton de son point de raccordement (C).
- 2.7 RACCORDEMENT :** Les mousquetons utilisés avec cet équipement doivent être autobloquants. Vérifier que toutes les connexions sont compatibles en taille, en forme et en résistance. Ne pas utiliser un équipement non compatible. Vérifier que tous les connecteurs sont bien fermés et verrouillés. Les connecteurs 3M (mousquetons) sont destinés à être utilisés uniquement selon les instructions de chacun des produits. La figure 6 montre quelques exemples de raccords inappropriés.
- Ne raccordez pas les crochets mousquetons et les mousquetons :
- à un D d'accrochage auquel un autre connecteur est attaché ;
 - d'une manière qui provoquerait une charge sur l'ouverture. Les crochets à ressort à grande ouverture ne doivent pas être raccordés à des D d'accrochage de taille standard ou à des objets similaires qui provoqueraient une charge sur l'ouverture si le connecteur ou le D d'accrochage venait à tourner, sauf si le mousqueton est équipé d'une ouverture de 16 kN (3600 lb).
 - en cas de faux raccord, lorsque la taille et la forme des connecteurs homologues ne sont pas compatibles et, en l'absence d'une confirmation visuelle, les connecteurs semblent totalement engagés ;
 - l'un à l'autre ;
 - directement à des sangles, à une longe ou à un point d'ancrage (à moins que les instructions du fabricant pour la longe et le connecteur n'autorisent spécifiquement ce type de raccordement) ;
 - à un objet ayant une forme ou une dimension empêchant la fermeture et le verrouillage du mousqueton, ou risquant de provoquer un désengagement ;
 - d'une manière qui ne permet pas le bon alignement du connecteur lorsqu'il est sous charge.

Tableau 2 – Calendrier d'inspection

Type d'utilisation	Exemples d'applications	Conditions d'utilisation	Fréquence d'inspection
			Personne compétente
Rare à légère	Opérations de sauvetage, travaux en espace confiné, maintenance d'installations industrielles	Bonnes conditions de stockage, utilisation en intérieur (rarement en extérieur), température ambiante, environnements propres	Une fois par an
Modérée à forte	Transport, construction d'habitations, services publics, entrepôts	Conditions de stockage correctes, utilisation en intérieur et en extérieur, toutes températures, environnements propres ou poussiéreux	Semestrielle à annuelle
Sévère à continue	Construction de bâtiments commerciaux, pétrole/gaz, industrie minière	Conditions de stockage difficiles, utilisation prolongée ou continue en extérieur, toutes températures, environnements sales	Trimestrielle à semestrielle

1 Personne agréée : personne désignée par l'employeur pour effectuer des tâches sur un site où elle sera exposée à un risque de chute.

2 Sauveteur : personne(s) autre(s) que la personne secourue, chargée(s) d'effectuer un sauvetage au moyen d'un équipement de sauvetage.

3 Personne compétente : une personne désignée par l'employeur comme responsable de la supervision immédiate, de la mise en œuvre et de la surveillance du programme de protection contre les chutes de l'employeur. Grâce à sa formation et à ses connaissances, cette personne est capable de déceler, d'évaluer et de calculer les risques éventuels de chute. Enfin, l'employeur autorise cette personne à prendre des mesures correctrices en cas de problème.

3.0 Installation

- 3.1 PLANIFICATION :** Préparer le système antichute avant de commencer à travailler. Prendre en compte tous les facteurs qui pourraient affecter la sécurité avant, pendant et après une chute. Prendre en considération toutes les spécifications et limites définies dans la Section 2.

Dans la plupart des applications, le SRD Nano-Lok peut être connecté à l'ancrage ou au D d'accrochage dorsal du harnais. L'une ou l'autre orientation est autorisée, sauf celle mentionnée dans la Section 4.

- 3.2 ANCRAGE :** La Figure 7 présente les maillons d'ancrage habituels du SRD. Sélectionner un point d'ancrage impliquant le plus petit risque possible de chute libre ou d'effet pendulaire (voir la Section 1). Choisir un point d'ancrage rigide capable de supporter les charges statiques définies dans la Section 1. Lorsqu'un ancrage au-dessus du niveau de la tête n'est pas possible, les dispositifs SRD Nano-Lok peuvent être fixés à un point d'ancrage au-dessous du niveau du D d'accrochage dorsal de l'utilisateur. Pour les utilisateurs pouvant atteindre 140 kg (310 lb), le point d'ancrage ne doit pas se situer à plus de 1,5 m (5 pi) en-dessous du D d'accrochage dorsal.

- 3.3 MONTAGE DU HARNAIS :** Certains modèles de SRD comportent une interface de harnais d'une ou de deux cordes de SRD pour le montage des cordes de SRD sur un harnais intégral juste au-dessous du D d'accrochage dorsal :

Certains harnais intégraux sont équipés d'une liaison de SRD individuelle (liaison PSLR). Celle-ci intègre un D d'accrochage dorsal et des éléments de fixation destinés aux lignes de vie auto-rétractables montées sur harnais (Figure 8). Il est également possible de connecter le SRD au D d'accrochage dorsal du harnais à l'aide d'un mousqueton ou d'un crochet mousqueton.

- **Montage du harnais SRD simple :** Lorsque la mobilité de l'ouvrier est essentielle, une interface de harnais SRD peut être utilisée pour monter le SRD à l'arrière d'un harnais intégral juste en dessous du D d'accrochage dorsal (voir la Figure 9). L'ouvrier peut ensuite la connecter à divers points d'ancrage placés partout dans le site avec l'extrémité de la longe du SRD sans avoir à la réinstaller plusieurs fois. Pour monter le SRD sur un harnais intégral avec l'interface de harnais SRD :
 1. **Desserrer la sangle du harnais :** Tirer les sangles (A) qui passent par le bas du D d'accrochage dorsal (B) jusqu'à ce que l'espace soit suffisant pour faire glisser l'interface de harnais SRD entre les sangles et la plaque du D d'accrochage.
 2. **Ouvrir l'interface de harnais :** Enfoncer les boutons de verrouillage (C) simultanément et faire glisser la goupille de verrouillage (D).
 3. **Positionner le SRD à l'interface du harnais :** Insérer l'ouverture sur l'interface du harnais à travers l'œillet du tourillon situé sur le SRD (E). Faire passer l'interface dans les œillets du tourillon afin que le SRD soit suspendu à la rivure centrale de l'interface du harnais (F).
 4. **Positionner l'interface de harnais autour des sangles :** Positionner l'ouverture de l'interface du harnais autour des sangles desserrées (A).
 5. **Fermer l'interface de harnais :** Pousser la goupille de verrouillage de l'interface du harnais (D) à travers les sangles desserrées (A) jusqu'à ce qu'elle se verrouille dans l'extrémité opposée de l'interface du harnais. Tirer sur les sangles pour les replacer dans le D d'accrochage dorsal et le dos matelassé et fixer l'interface de harnais.

La bandelette rouge placée à l'extrémité de la goupille de verrouillage de l'interface de harnais sera visible si l'interface de harnais est déverrouillée. Pour éviter tout relâchement accidentel du raccord, toujours s'assurer que l'interface de harnais est verrouillée avant d'utiliser le harnais et le SRD raccordé. Le non-respect de ces instructions peut entraîner des blessures graves ou la mort.

- **Montage du harnais SRD double :** Dans les applications d'ascension où une connexion à 100 % est nécessaire, l'interface de harnais SRD peut être utilisée pour monter deux SRD côte à côte à l'arrière d'un harnais intégral, juste en-dessous du D d'accrochage dorsal (voir la Figure 9). Pour monter deux SRD sur un harnais intégral à l'aide de l'interface de harnais SRD :
 1. **Desserrer la sangle du harnais :** Tirer les sangles (A) qui passent par le bas du D d'accrochage dorsal (B) jusqu'à ce que l'espace soit suffisant pour faire glisser l'interface de harnais SRD entre les sangles et la plaque du D d'accrochage.
 2. **Ouvrir l'interface de harnais :** Enfoncer les boutons de verrouillage (C) simultanément et faire glisser la goupille de verrouillage (D).
 3. **Positionner les SRD à l'interface de harnais :** Insérer l'ouverture située sur l'interface du harnais à travers l'œillet du tourillon situé sur chaque SRD (E). Faire passer l'interface à travers les œillets du tourillon afin que les SRD soient suspendus à la rivure centrale de l'interface du harnais (F).
 4. **Positionner l'interface de harnais autour des sangles :** Positionner l'ouverture de l'interface du harnais autour des sangles desserrées (A).
 5. **Fermer l'interface de harnais :** Pousser la goupille de verrouillage de l'interface du harnais (D) à travers les sangles desserrées (A) jusqu'à ce qu'elle se verrouille dans l'extrémité opposée de l'interface du harnais. Tirer sur les sangles pour les replacer dans le D d'accrochage dorsal et le dos matelassé pour fixer l'interface de harnais.

La bandelette rouge placée à l'extrémité de la goupille de verrouillage de l'interface de harnais sera visible si l'interface de harnais est déverrouillée. Pour éviter tout relâchement accidentel du raccord, toujours s'assurer que l'interface de harnais est verrouillée avant d'utiliser le harnais et le SRD raccordé. Le non-respect de ces instructions peut entraîner des blessures graves ou la mort.

- **Montage du harnais de SRD double à D d'accrochage fixe :** Les anciens modèles de harnais intégraux ExoFit à D d'accrochage fixe requièrent une interface spéciale de harnais pour SRD pour monter deux SRD à l'arrière du harnais juste en dessous du D d'accrochage dorsal. Pour monter deux SRD sur un harnais intégral ExoFit avec l'interface de harnais à D d'accrochage fixe pour SRD (Figure 10) :
 1. **Desserrer la sangle du harnais :** Tirer sur les sangles (A) là où elles passent à travers la base du D d'accrochage dorsal (B) jusqu'à ce que l'espace soit suffisant pour insérer l'interface de harnais SRD entre les sangles et le dos matelassé.
 2. **Ouvrir l'interface de harnais :** En orientant l'interface de harnais SRD comme indiqué, pousser le coulisseau de verrouillage (C) vers la droite, puis le tourner dans le sens des aiguilles d'une montre pour déverrouiller l'ouverture (D). Faites basculer l'ouverture (D) vers le bas pour l'ouvrir.
 3. **Faire passer le premier SRD sur l'interface de harnais :** Insérer le bec du connecteur (E) à travers l'œillet du tourillon (F) du SRD, puis faire glisser le SRD vers l'extrémité de l'ouverture du connecteur (G). L'ouverture peut être refermée pour permettre à l'œillet du tourillon de glisser entre l'ouverture et l'arrière du connecteur.
 4. **Positionner l'interface de harnais autour des sangles :** Insérer le bec du connecteur (E) derrière les sangles (A). Faites tourner le connecteur derrière les sangles jusqu'à ce qu'il entoure les sangles.
 5. **Ajouter la deuxième SRD à l'interface de harnais :** Faire coulisser l'œillet du tourillon du SRD (F) sur le bec du connecteur (E) et positionner l'œillet du tourillon du SRD côté bec du connecteur.
 6. **Fermer l'interface de harnais :** Laisser l'ouverture (D) se refermer et le coulisseau de verrouillage (C) se remettre en position verrouillée. Une fois que l'interface de harnais est fermée, faites à nouveau passer les sangles (A) à travers le D d'accrochage dorsal pour les retendre et fixer l'interface de harnais entre les sangles et le dos matelassé.

- **Mousqueton double 3M® DBI-SALA® :** Le mousqueton double 3M® DBI-SALA® est conçu pour monter deux SRD Nano-Lok côte à côte au dos d'un harnais intégral juste en dessous du D d'accrochage dorsal (voir la figure 12). Pour monter deux SRD Nano-Lok sur un harnais intégral à l'aide du mousqueton double :
 1. **Desserrer la sangle du harnais :** tirez les sangles (A) qui passent par le bas du D d'accrochage dorsal (B) jusqu'à ce que l'espace soit suffisant pour faire coulisser l'interface de fixation SRL double entre les sangles et la plaque du D d'accrochage.
 2. **Ouvrir le mousqueton double :** Pousser l'insert du connecteur vers le haut (C) de sorte à détacher les brides (D) du connecteur, puis faire basculer l'insert du connecteur vers le haut pour déverrouiller l'ouverture. Pousser l'ouverture (E) vers l'intérieur pour ouvrir le connecteur.
 3. **Faire passer le premier SRD Nano-Lok sur le mousqueton double :** Insérer le bec du connecteur (F) à travers l'œillet du tourillon (G) situé sur le dispositif antichute à rappel automatique, puis faire tourner la SRL vers l'extrémité de l'ouverture du connecteur (H). L'ouverture peut être légèrement refermée vers le bec pour permettre à l'œillet du tourillon de glisser entre l'ouverture et l'arrière du connecteur.
 4. **Positionner le mousqueton double autour des sangles :** L'ouverture étant orientée vers le haut, insérer le bec du connecteur (F) derrière les sangles (A). Faites tourner le connecteur derrière les sangles jusqu'à ce qu'il entoure les sangles.
 5. **Ajouter le second SRD Nano-Lok sur le mousqueton double :** Faire glisser l'œillet du tourillon de la SRL (G) sur le bec du connecteur (F) et positionner l'œillet du tourillon de la SRL du côté bec du connecteur (F). Faites basculer l'ouverture (E) pour la fermer.
 6. **Fermer le mousqueton double :** Faites tourner l'insert du connecteur (C) vers l'avant afin que les brides (D) se fixent sur le connecteur. Si les brides sont bien refermées, les sangles doivent passer à travers la fente prévue (J) en haut de l'insert du maillon et les tourillons des SRL doivent être en place dans les encoches (K) sur les côtés de l'insert du maillon. Une fois l'interface du harnais fermée, faire passer à nouveau les sangles (A) à travers le D d'accrochage dorsal et la plaque du D d'accrochage pour les retendre et fixer le connecteur entre les sangles et la plaque du D d'accrochage.

- **Mousqueton à double goupilles 3M® DBI-SALA® :** Cette fixation de harnais peut être utilisée pour monter une ou deux SRL Nano-Lok dans les applications d'ascension (voir la Figure 11) où une connexion à 100% est requise :
 1. **Desserrer la sangle du harnais :** tirez les sangles (A) qui passent par le bas du D d'accrochage dorsal (B) jusqu'à ce que l'espace soit suffisant pour faire coulisser l'interface de fixation SRL double entre les sangles et la plaque du D d'accrochage.
 2. **Pour une configuration unique :** Placer l'œillet du tourillon d'un dispositif antichute à rappel automatique unique dans l'espace ouvert central.
 3. **Pour les configurations doubles :** Placer l'œillet du tourillon d'une SRL dans l'espace ouvert le plus proche de la goupille et une SRL dans l'espace ouvert le plus éloigné de la goupille
 4. Refaire glisser la goupille en position jusqu'à l'obtention d'un clic. La goupille doit être bien verrouillée en position.
 5. Appuyer simultanément sur les deux boutons situés du côté du harnais du connecteur tout en faisant glisser la goupille vers l'extérieur. Lorsque cette goupille glisse vers l'extérieur, cela crée un espace ouvert.
 6. Tirer une petite quantité de mou dans la sangle directement en dessous du D d'accrochage dorsal situé sur votre harnais. Placer le côté harnais du connecteur en dessous du D d'accrochage.
 7. Refaire glisser la goupille en position en s'assurant que la goupille reste sous les deux couches de la sangle du harnais jusqu'à l'obtention d'un clic. La goupille doit être bien verrouillée en position.

4.0 FONCTIONNEMENT

Les nouveaux utilisateurs ou les utilisateurs irréguliers des dispositifs de sécurité auto-rétractables (Self-Retracting Devices, SRD) doivent examiner les « Informations de sécurité » au début de ce manuel avant toute utilisation.

- 4.1 AVANT CHAQUE UTILISATION :** Avant chaque utilisation de cet équipement de protection antichute, effectuer une inspection minutieuse afin de s'assurer qu'il est en bon état de fonctionnement. Inspecter le matériel pour détecter toute pièce usée ou endommagée. Vérifier que tous les boulons sont présents et serrés. Vérifier que la ligne de vie

se rétracte correctement en la tirant et en la laissant se rétracter lentement. S'il y a la moindre hésitation quant à la rétraction, l'unité doit être mise hors service et détruite. Inspecter la ligne de vie afin de détecter toutes traces de coupure, d'effilochage, de brûlure, d'écrasement et de corrosion. Vérifier l'action de verrouillage en tirant brusquement sur la sangle. Voir le journal d'inspection et d'entretien (Tableau 3) pour les détails concernant l'inspection. Ne pas utiliser l'équipement si l'inspection révèle un état peu sûr.

- 4.2 APRÈS UNE CHUTE :** Tout équipement ayant été soumis aux forces d'arrêt d'une chute ou qui présente des signes de détérioration correspondant aux effets des forces d'arrêt de chute décrits dans le Tableau 3 doit être immédiatement mis hors service et détruit.
- 4.3 SUPPORT DU CORPS :** Vous devez porter un harnais intégral lors de l'utilisation des SRD. Pour une protection antichute générale, connecter la ligne au D d'accrochage dorsal.
- 4.4 RACCORDEMENTS :** La Figure 5 illustre le harnais et les raccords d'ancrage pour les dispositifs antichute à rappel automatique. En cas d'utilisation d'un connecteur pour établir un raccordement, vérifier qu'il n'y a pas de risque de retournement (voir la Figure 5). Ne pas utiliser de crochets ou de connecteurs qui ne se ferment pas complètement sur l'élément de fixation. Ne pas utiliser de crochets mousquetons sans blocage. L'ancrage doit respecter les exigences de résistance d'ancrage énoncées dans le Tableau 2. Suivre les instructions du fabricant fournies avec chaque composant du système.
- 4.5 FONCTIONNEMENT :** Inspecter le SRD comme décrit dans le Tableau 3 avant utilisation. La Figure 14 montre les raccordements du système pour les applications SRD habituelles. Connecter le SRD à un ancrage approprié ou monter le SRD à l'arrière d'un harnais intégral conformément aux consignes fournies à la Section 3. Sur les SRD connectés à un ancrage, connecter le crochet (D) ou le mousqueton de l'indicateur de charge au D d'accrochage dorsal (A) du harnais intégral. Sur les SRD montés sur un harnais, connecter le crochet (D) ou le mousqueton à un ancrage approprié. Vérifier que toutes les fixations sont compatibles en matière de taille, de forme et de résistance. Vérifier que les crochets sont complètement fermés et verrouillés. Une fois attaché, l'ouvrier est libre de circuler à l'intérieur de la zone de travail recommandée à une vitesse normale. En cas de chute, le SRD se bloque et arrête la chute. À l'issue du sauvetage, ne plus utiliser le SRD. Lors de l'utilisation d'un SRD, toujours laisser la ligne de vie s'enrouler de nouveau dans le dispositif sous contrôle.
- 4.6 CONNEXION À 100 % DE L'INTERFACE DE DEUX CORDES SRD :** Lorsque deux SRD sont montés côte à côte à l'arrière d'un harnais intégral, le dispositif antichute du SRD peut être utilisé pour assurer une protection constante contre les chutes (connexion à 100 %) lorsque l'utilisateur monte, descend ou se déplace latéralement (voir Figure 15). La longe d'un SRD étant attachée à un point d'ancrage, l'ouvrier peut se rendre à un nouvel endroit, connecter la longe non utilisée de l'autre SRD à un point d'ancrage différent, puis se détacher du point d'ancrage initial. Cette séquence est répétée jusqu'à ce que l'ouvrier parvienne à l'endroit désiré. Les considérations relatives aux applications de connexion à 100 % des deux SRD sont les suivantes :
- Ne jamais connecter deux longes de SRD au même point d'ancrage (voir la Figure 16A).
 - Accrocher plus d'un connecteur dans un seul ancrage (anneau ou œillet) peut compromettre la compatibilité de la connexion en raison de l'interaction entre les connecteurs, ce qui n'est pas recommandé.
 - La connexion de chaque longe de SRD à un point d'ancrage séparé est acceptable (Figure 16B).
 - Chaque point de connexion doit indépendamment supporter 10 kN (1 020 kg, 2 248 lb) ou être un système intégré, comme c'est le cas avec une ligne de vie horizontale.
 - Ne jamais connecter plus d'une personne à la fois au système de SRD double (Figure 16C).
 - Ne pas laisser les deux longes s'emmêler, car cela pourrait gêner leur rétraction.
 - Ne jamais laisser passer la longe sous vos bras ou entre vos jambes pendant l'utilisation.
- 4.7 MONTAGE DU D D'ACCROCHAGE DORSAL DU SRD DOUBLE :** Les modèles équipés d'un mousqueton à action triple peuvent être montés au D d'accrochage dorsal dans une configuration double. Pour monter deux SRD sur le D d'accrochage dorsal d'un harnais (Figure 13) :
- 1. Ouvrir le mousqueton à triple action :** le mousqueton à triple action étant orienté comme illustré, poussez le coulisseau de verrouillage (C) vers la droite, puis le tourner dans le sens des aiguilles d'une montre pour déverrouiller l'ouverture (D). Faites basculer l'ouverture (D) vers le bas pour l'ouvrir.
 - 2. Faire passer le premier SRD dans le mousqueton à triple action :** insérer le bec du connecteur (E) à travers l'œillet du tourillon (F) du SRD, puis faire glisser le SRD vers l'extrémité de l'ouverture du connecteur (G). L'ouverture peut être refermée pour permettre à l'œillet du tourillon de glisser entre l'ouverture et l'arrière du connecteur.
 - 3. Ajouter le second SRD sur le mousqueton à triple action :** Faire glisser l'œillet du tourillon du SRD (F) sur le bec du connecteur (E).
 - 4. Faire passer le mousqueton à triple action dans le D d'accrochage :** Insérer le bec du connecteur (E) dans le D d'accrochage dorsal (A). Faire tourner le connecteur à travers le D d'accrochage jusqu'à ce que l'ouverture puisse être fermée.
 - 5. Fermer le mousqueton à triple action :** Laisser l'ouverture (D) se refermer et le coulisseau de verrouillage (C) se remettre en position verrouillée.
- 4.8 SYSTÈMES HORIZONTAUX :** Dans des installations où le SRD est utilisé conjointement avec un système horizontal (c'est-à-dire une ligne de vie horizontale, un chariot pour poutre en I horizontal), le SRD et les composants du système horizontal doivent être compatibles. Les systèmes horizontaux doivent être conçus et installés sous le contrôle d'un ingénieur agréé. Consulter les instructions du fabricant de l'équipement des systèmes horizontaux pour plus de détails.

Les valeurs de distance d'arrêt indiquée dans la Figure 4 correspondent à un ancrage sur un point rigide et stationnaire et ne s'appliquent pas à un système de ligne de vie horizontale (HLL). Consulter le mode d'emploi ou l'installateur de la HLL pour déterminer les distances d'arrêt requises.

5.0 Inspection

5.1 PLAQUE D'IDENTIFICATION RFID : Le dispositif auto-rétractable comporte une plaque d'identification par radiofréquence (RFID) (voir la figure 17). En liaison avec le lecteur portable et le portail Internet, la plaque d'identification RFID permet de simplifier l'inspection et le contrôle des stocks et de conserver les informations concernant votre équipement de protection antichute. Pour plus de détails, consulter un représentant du service à la clientèle de 3M (voir au verso). Suivre les instructions fournies sur le dispositif de lecture portable ou sur le portail Internet pour transférer les données sur votre journal Internet.

5.2 FRÉQUENCE D'INSPECTION : Le dispositif de sécurité auto-rétractable doit être inspecté aux intervalles définis à la Section 2. Les procédures d'inspection sont décrites dans le « *Journal d'inspection et d'entretien* » (Tableau 3).

Des conditions de travail extrêmes (environnement hostile, utilisation prolongée, etc.) peuvent nécessiter des inspections plus fréquentes (voir Tableau 2).

5.3 ÉTAT DANGEREUX OU DÉFECTUEUX : Si l'inspection révèle un état dangereux ou défectueux, retirer immédiatement le SRD du service et le mettre au rebut (voir la Section 6).

Seule la société 3M ou les parties agréées par écrit peuvent réparer cet équipement.

5.4 DURÉE DE VIE DU PRODUIT : La durée de vie fonctionnelle des dispositifs de sécurité auto-rétractables 3M dépend des conditions de travail et de l'entretien. Le produit peut rester en service tant qu'il répond aux critères d'inspection (en respectant la durée de vie maximum du produit). La durée de vie maximum du SRD équipé de lignes de vie à sangle textile ne dépasse pas les 10 ans à partir de la date de fabrication.

6.0 ENTRETIEN, RÉVISION et STOCKAGE

6.1 NETTOYAGE : Les procédures de nettoyage du SRD sont les suivantes :

- Nettoyer périodiquement l'extérieur du SRD avec de l'eau et un détergent doux. Positionner le SRD de façon à ce que l'eau puisse s'écouler. Nettoyer les étiquettes si nécessaire.
- Nettoyer la ligne de vie à sangle avec de l'eau et un détergent doux. Rincer et faire sécher à l'air libre. Ne pas faire sécher à l'aide d'une source de chaleur. Avant de la laisser se rétracter dans le carter, la ligne de vie doit être sèche. Une accumulation excessive de saleté, de peinture ou d'autres contaminants peut empêcher la ligne de vie de se rétracter complètement dans le carter, entraînant un risque de chute libre.

6.2 RÉVISION : Les SRD ne sont pas réparables. Si le SRD a été soumis à une force antichute ou si l'inspection révèle un état dangereux ou défectueux, mettre le SRD hors service et le jeter (voir « *Mise au rebut* »).

6.3 STOCKAGE/TRANSPORT : Transporter et ranger le SRD dans un endroit frais, propre, sec et à l'abri de la lumière directe du soleil. Éviter les endroits pouvant contenir des vapeurs chimiques. Inspecter soigneusement le SRD après toute période de stockage prolongée.

6.4 MISE AU REBUT : Mettre au rebut le SRD s'il a été soumis à une force de chute ou si l'inspection indique qu'il est défectueux ou présente un risque en matière de sécurité. Avant de mettre le SRD au rebut, couper la ligne de vie en deux ou le neutraliser afin de prévenir tout risque de réutilisation.

7.0 Étiquettes

La Figure 22 illustre les étiquettes apposées sur les lignes de vie auto-rétractables et leur emplacement. Toutes les étiquettes doivent être présentes sur le SRD. Les étiquettes doivent être remplacées si elles ne sont pas parfaitement lisibles. Les pictogrammes figurant sur les étiquettes sont définis comme suit :

1	Inspecter le mousqueton et l'indicateur d'impact
2	Inspecter l'action de verrouillage de la SRL
3	Connexion correcte de la SRL au harnais
4	Non homologué pour les arêtes vives. Peut-être raccordé à un point d'ancrage situé au-dessus, en dessous ou au même niveau que l'anneau D d'accrochage dorsal (140 kg maximum).
5	Plage de température d'utilisation : de -40° C à +60° C
6	Capacité maximum 140 kg
7	Toujours laisser la ligne de vie s'enrouler de nouveau dans le dispositif antichute à rappel automatique sous contrôle
8	Ne pas réparer
9	Entreposer le matériel antichute dans un endroit frais, sec et propre, à l'abri des rayons directs du soleil.
10	Ne pas charger au-dessus d'une arête
11	Ne pas enlever cette étiquette

Tableau 3 – Journal d’inspection et d’entretien

Numéro(s) de série :		Date d’achat :	
Numéro de modèle :		Date de la première utilisation :	
Date d’inspection :		Inspection par :	
Composant :	Inspection : (Consulter la Section 2 pour connaître la <i>fréquence des inspections</i>)	Réussite	Échec
SRD (Figure 18)	Vérifier que les fixations ne sont pas desserrées et que les pièces ne sont ni endommagées ni tordues.	<input type="checkbox"/>	<input type="checkbox"/>
	Inspecter le carter (A) pour détecter les déformations, fissures ou autres détériorations.	<input type="checkbox"/>	<input type="checkbox"/>
	Inspecter le tourillon (B) et l’œillet du tourillon (C) ou le connecteur entier (D) pour détecter les déformations, craquelures ou autres détériorations. Le tourillon doit être fermement fixé au dispositif antichute à rappel automatique, mais doit tourner librement. L’œillet du tourillon ou le connecteur entier doivent tourner librement dans le tourillon.	<input type="checkbox"/>	<input type="checkbox"/>
	La ligne de vie (E) doit se dérouler et se rétracter entièrement sans hésitation et sans qu’il y ait de mou dans la ligne.	<input type="checkbox"/>	<input type="checkbox"/>
	S’assurer que le SRD se bloque lorsque la ligne de vie est secouée violemment. Le blocage doit être franc, sans aucun glissement.	<input type="checkbox"/>	<input type="checkbox"/>
	Toutes les étiquettes doivent être présentes et entièrement lisibles (voir Figure 20).	<input type="checkbox"/>	<input type="checkbox"/>
	Inspecter la totalité du SRD pour détecter les signes de corrosion.	<input type="checkbox"/>	<input type="checkbox"/>
Connecteurs d’extrémité (Figure 19)	Le Tableau 2 identifie les connecteurs d’extrémité qui doivent être inclus à votre modèle de SRD Nano-Lok. Inspecter les crochets mousquetons, les mousquetons, les mousquetons automatiques, les interfaces, etc. pour détecter des signes de détérioration et de corrosion, et s’assurer du bon état de fonctionnement. Le cas échéant : Les ouvertures doivent bien s’ouvrir, se fermer, se verrouiller et se déverrouiller, et les boutons et les goupilles de verrouillage doivent correctement fonctionner.	<input type="checkbox"/>	<input type="checkbox"/>
Ligne de vie (Figure 20)	Inspecter la sangle : elle ne doit comporter aucune fibre coupée (A), éraillée (B) ou rompue. Vérifier l’absence de déchirures, d’abrasion, de salissures excessives (C), de moisissures, de brûlures (D) ou de décoloration. Inspection des coutures ; vérifier l’absence de coutures élargies ou coupées. Des coutures défaites peuvent indiquer que le harnais a subi une charge de choc et doit être mis hors service.	<input type="checkbox"/>	<input type="checkbox"/>
Absorbeur d’énergie (Figure 21)	Vérifier que l’absorbeur d’énergie intégral n’a pas été activé. Une protection ouverte ou déchirée (A), une sangle sortie de la protection, déchirée ou éraillée (B), une couture fendue, etc. indiquent que l’absorbeur d’énergie a été activé.	<input type="checkbox"/>	<input type="checkbox"/>
Mesures correctives/entretien :		Approuvé par :	
		Date :	
Mesures correctives/entretien :		Approuvé par :	
		Date :	
Mesures correctives/entretien :		Approuvé par :	
		Date :	
Mesures correctives/entretien :		Approuvé par :	
		Date :	
Mesures correctives/entretien :		Approuvé par :	
		Date :	
Mesures correctives/entretien :		Approuvé par :	
		Date :	
Mesures correctives/entretien :		Approuvé par :	
		Date :	

לפני השימוש בהתקן המתכונן (SRD), עליך לקרוא ולהבין את כל מידע הבטיחות הכלול בהוראות אלו ולפעול בהתאם לו. אם לא תעשה כן, התוצאה עלולה להיות פציעה קשה או מוות.

יש למסור הוראות אלה למשתמש בצידוד זה. יש לשמור את ההוראות כדי שתוכל להיעזר בהן בעתיד.

השימוש המיועד:

ההתקן המתכונן מיועד לשמש כחלק ממערכת אישית מלאה לבלימת נפילה.

השימוש לכל מטרה אחרת, כולל, בין היתר, שינוע חומרים, פעילויות הקשורות לפנאי או לספורט או פעילויות אחרות שאינן מתוארות בהוראות למשתמש, אינו מאושר על ידי 3M ועלול להוביל לפציעה קשה או מוות.

השימוש בהתקן זה מותר רק למשתמשים שעברו הדרכה לגבי יישומים במקומות העבודה.

אזהרה!

ההתקן המתכונן הינו חלק ממערכת אישית לבלימת נפילה. כל המשתמשים נדרשים לעבור הדרכה מלאה בהרכבה ובתפעול הבטיחותיים של המערכת האישית לבלימת נפילה שבה הם משתמשים. שימוש לא נכון בהתקן זה עלול להוביל לפציעה קשה או מוות. לצורך בחירה, תפעול, הרכבה, תחזוקה וטיפול נכונים, יש לעיין בהוראות אלו למשתמש הכוללות את כל המצאות היצרן, לפנות לממונה עליך או ליצור קשר עם מחלקת השירותים הטכניים של 3M.

• כדי להקטין את הסיכונים הקשורים בעבודה עם התקן SRD, שאם לא יימנעו עלולים להוביל לפציעה קשה או למוות:

- לפני כל שימוש, יש לבדוק את התקן ה-SRD ואת יכולות הנעילה והנסיגה שלו.
- אם מהבדיקה עולה מצב לא-בטיחותי או פגום, יש להוציא את ההתקן משימוש ולתקן או להחליף אותו בהתאם להוראות למשתמש.
- אם פעלו על התקן ה-SRD בלימת נפילה או כוח ממכה, יש להוציא מיד משימוש ולסמנו כ"בלתי-שיש".
- יש לוודא כי חבל ההצלה נותר משוחרר מכל מכשול, הכוללים בין השאר: הסתככות בצידוד או בחלקי מכונה נעים (כגון מגדל המקדחה באסדת קידוח), עובדים אחרים, אתה, חפצים מסביב, או פגיעה מנפילת חפצים מלמעלה על חבל ההצלה או על העובד.
- לעולם אין לאפשר עודף של חבל ההצלה. אין לקשור את חבל ההצלה.
- יש לחבר את רגלי התקן ה-SRD המורכב על הרתמה אשר לא נעשה בהן שימוש למחברי החניה של הרתמה, אם קיימים.
- אין להשתמש ביישומים עם מסלול נפילה חסום. בעבודה מעל חומר שמשנתה באופן איטי, כגון חול או דגן, או בחללים סגורים או מוגבלים, ייתכן שלא יתאפשר לעובד להגיע למהירות מספקת כדי להפעיל את נעילת התקן ה-SRD. נדרש מסלול נפילה פנוי על מנת להבטיח בוודאות את נעילת התקן ה-SRD.
- יש להימנע מתנועות פתאומיות או מהירות בעת העבודה הרגילה. הדבר עלול להביא לנעילת ההתקן.
- יש לוודא שהמערכת ותתי-המערכת לבלימת נפילה, המורכבות מחלקים המיוצרים על ידי יצרנים שונים, מתאימות זו לזו ועומדות בדרישות של התקנים הישימים, כולל ANSI Z359 או בחוקים, בתקנים ובדרישות האחרים החלים על בלימת נפילה. לפני השימוש במערכת אלו יש להתייעץ עם אדם מיומן ו/או מוסמך.

• כדי להקטין את הסיכונים הקשורים בעבודה בגובה, שאם לא יימנעו הם עלולים להוביל לפציעה קשה או למוות:

- יש לוודא שבריאיותך ומצבך הגופני מאפשרים לך לעמוד בטוחה בכל הכוחות הנוצרים בעבודה בגובה. התייעץ עם הרופא שלך במקרה של שאלות בנוגע ליכולתך להשתמש בצידוד זה.
- אסור לחרוג מכושר הנשיאה הנקוב של הצידוד לבלימת נפילה.
- אסור לחרוג ממרחק הנפילה החופשית המרבי של הצידוד לבלימת נפילה.
- אסור להשתמש בצידוד לבלימת נפילה שלא עבר בהצלחה את בדיקות טרום השימוש או ביקורות מתוכננות אחרות, או במקרה של חששות הקשורים לשימוש או להתאמת הצידוד ליישום שלך. בכל מקרה של שאלה, צור קשר עם מחלקת השירות הטכני של 3M.
- שילובים מסוימים של תתי-מערכת ורכיבים עלולים להפריע לפעולה של צידוד זה. השתמש רק בחיבורים מתאימים. יש להתייעץ עם 3M כאשר נעשה שימוש בצידוד זה יחד עם רכיבים או תתי-מערכת השונים מאלה המצוינים בהוראות למשתמש.
- יש לנהוג משנה זהירות בעת עבודה בקרבת מכוונות נעות (לדוגמה, מגדל המקדחה באסדת קידוח), סיכוני חשמל, טמפרטורות קיצוניות, סיכונים כימיים, גזים נפיצים או רעילים וקצוות חדים או עבודה מתחת לחפצים הממוקמים בגובה העלולים ליפול עליך או על צידוד בלימת נפילה שלך.
- במהלך עבודה בתנאי טמפרטורה גבוהה יש להשתמש במכשירים שאושרו לעבודות בתנאי חום או בקשת חשמלית.
- יש להימנע ממשטחים וחפצים העלולים לגרום נזק למשתמש או לצידוד.
- ודא שמרווח הנפילה בזמן העבודה בגובה מספיק גדול.
- אסור לבצע שינויים בצידוד לבלימת נפילה. רק 3M או גופים שקיבלו ממנה אישור לכך בכתב רשאים לבצע תיקונים בצידוד זה.
- לפני השימוש בצידוד לבלימת נפילה, יש להבטיח שקיימת תכנית חילוץ שמאפשרת לבצע חילוץ מהיר במקרה של אירוע נפילה.
- במקרה של אירוע נפילה, יש לדאוג באופן מיידי למתן טיפול רפואי לעובד שנפל.
- אסור להשתמש בחגורת גוף לשימושים של בלימת נפילה. יש להשתמש רק ברתמת גוף מלאה.
- כדי לצמצם ככל האפשר את נפילות הנדנדוד, יש לעבוד היישר מתחת לנקודת העיגון.
- בהדרכה באמצעות צידוד זה יש להשתמש במערכת משנית להגנה בנפילה, כדי שהחניך לא ייחשף לסכנת נפילה בלתי מכוונת.
- במהלך ההרכבה, השימוש או הבדיקה של ההתקן/מערכת, יש ללבוש תמיד צידוד מגן אישי מתאים.

לפני השימוש בצידוד זה, רשום ביומן הבדיקות והתחזוקה בחוברת זו את פרטי זיהוי המוצר שמופיעים בתווית המזהה ב"יומן הבדיקות והתחזוקה", בגב מדריך זה.

תיאור:

באיור 2 מוצגים הרכיבים העיקריים של ההתקנים בעלי הקיפול העצמי (SRD) מסוג 3M™ DBI-SALA® מסוג Nano-Lok SRD. התקני Nano-Lok הם חבלי הצלה המלוכפים סביב תוף (A) עם סופג אנרגיה מובנה (B) שמתקפל לתוך תושבת ניילון (C). עין סביבול (D) בחלק העליון של התושבת מאפשרת חיבור ליחידת עיגון מתאימה באמצעות טבעת נעילה מתברגת (קרבינר) (E), או הרכבה על רתמת גוף מלאה עם ממשק רתמה (F). באיור 1 מוצגים דגמי ה-Nano-Lok הזמינים ותצורת המחברים שלהם. ראה טבלה 1 עבור המפרטים של חבלי ביטחון Nano-Lok ומפרטי המחברים.

טבלה 1 - מפרט

מפרט רכיבים:

תשובות SRL	ניילון
תוף	ניילון
רכיבים פנימיים	נירוסטה, אלומיניום
חבל הצלה	פוליאסטר Dyneema
סופג אנרגיה	כיסוי: גומי Nitrile, רשת: פוליאסטר, תפירה: חוט פוליאסטר או ניילון
סביבול	פלדה מצופת אבץ

מפרטי מחברים:

תואר	חומר	פתיחת פין הטבעת (Gate)	חוק פין הטבעת (Gate)	כוח מתיחה
1	עין סביבול	22.35 מ"מ (0.88 אינץ') קטר פנימי	X	22.2 קילו-ניוטון (5,000 פאונד)
2	טבעת נעילה מתברגת (קרבינר)	19 מ"מ (3/4 אינץ')	16 קילו-ניוטון (3,600 פאונד)	22.2 קילו-ניוטון (5,000 פאונד)
3	טבעת נעילה מתברגת (קרבינר)	19 מ"מ (3/4 אינץ')	16 קילו-ניוטון (3,600 פאונד)	22.2 קילו-ניוטון (5,000 פאונד)
4	ממשק חבל ביטחון יחיד	51 מ"מ (2 אינץ')	16 קילו-ניוטון (3,600 פאונד)	22.2 קילו-ניוטון (5,000 פאונד)
5	ממשק חבל ביטחון כפול	פלדה עם אינסרט ניילון	16 קילו-ניוטון (3,600 פאונד)	22.2 קילו-ניוטון (5,000 פאונד)
6	טבעת נעילה מתברגת (קרבינר)	אלומיניום, פלדה	16 קילו-ניוטון (3,600 פאונד)	22.2 קילו-ניוטון (5,000 פאונד)
7	טבעת נעילה מתברגת (קרבינר)	אלומיניום	16 קילו-ניוטון (3,600 פאונד)	22.2 קילו-ניוטון (5,000 פאונד)
8	11 נסגר עצמאית (ריבר)	אלומיניום	16 קילו-ניוטון (3,600 פאונד)	22.2 קילו-ניוטון (5,000 פאונד)
9	11 נסגר עצמאית (ריבר)	אלומיניום	16 קילו-ניוטון (3,600 פאונד)	22.2 קילו-ניוטון (5,000 פאונד)
10	טבעת נעילה מתברגת (קרבינר)	אלומיניום	16 קילו-ניוטון (3,600 פאונד)	22.2 קילו-ניוטון (5,000 פאונד)
11	11 נסגר עצמאית (ריבר)	אלומיניום, פלדה	16 קילו-ניוטון (3,600 פאונד)	22.2 קילו-ניוטון (5,000 פאונד)
12	טבעת נעילה מתברגת (קרבינר)	פלדה	16 קילו-ניוטון (3,600 פאונד)	22.2 קילו-ניוטון (5,000 פאונד)
13	11 נסגר עצמאית (ריבר)	אלומיניום	16 קילו-ניוטון (3,600 פאונד)	22.2 קילו-ניוטון (5,000 פאונד)
14	קרט קפיצי	פלדה	16 קילו-ניוטון (3,600 פאונד)	22.2 קילו-ניוטון (5,000 פאונד)

מפרטי ביצוע:

מפרט SRL (אנכי)	דגמי CE
טווח קיבולת	59 ק"ג - 100 ק"ג (130 פאונד - 220 פאונד)
כוח בלימה מרבי	6 קילו-ניוטון (1,350 פאונד)
כוח בלימה ממוצע	4 קילו-ניוטון (900 פאונד)
מרחק בלימה מרבי משוער ¹	0.61 מטרים (24 אינץ')
מרווח נפילה מינימלי נדרש ¹	1.5 מטרים (5 רגל)
צניחה חופשית מרבית ²	1.5 מטרים (5 רגל)

1 - בהנחה שה-SRL מורכב ישירות מעל (עילי) למשתמש הקצה.
2 - נמדד מה-D-Ring של המשתמש עד למשטח העבודה/הליכה. לפרטים, ראה טבלה/אות מרווח נפילה.

1.0 יישומים

1.1 מטרה: ההתקנים המתכוננים מעצמם (SRD) נועדו לשמש כרכיב במערכת אישית לבלימת נפילה (PFAS). באיור 1 מוצגים התקני SRD המתוארים במדריך זה. ניתן להשתמש בהם ברוב המצבים שבהם נדרש שילוב של נידודת העובד והגנתו מפני נפילה (למשל בביצוע בדיקות, בנייה כללית, עבודת תחזוקה, הפקת נפט, עבודה בחלל סגור וכו').

1.2 תקנים: התקן ה-SRD שלך תואם תקנים הלאומיים או האזוריים המתוארים בכריכה הקדמית של הוראות אלה. עיין בדרישות המקומיות, המדינתיות והפדרליות (OSHA) לקביעת בטיחות בעבודה למידע נוסף לגבי הגנה אישית מנפילה.

1.3 הדרכה: ההתקנה והשימוש בציוד זה נועדו להתבצע ע"י אנשים שעברו הכשרה ביישום ושימוש נכון בציוד. באחריות המשתמש להכיר הוראות אלה, ולדאוג להכשרתו לטיפול ושימוש נכון בציוד זה. בנוסף, על המשתמשים להיות מודעים לתכונות התפעוליות, למגבלות היישום ולהשלכות של שימוש לא נכון.

1.4 מגבלות: בעת התקנת הציוד ושימוש בו, תמיד יש להביא בחשבון את המגבלות הבאות:

- **יכולת נשיאה:** ההתקנים המתכוננים SRD נועדו לשימוש על-ידי אדם אחד עם משקל משולב (ביגוד, כלים וכו') הנמצא בטווח המשקל המפורט בטבלה 1. יש לוודא כי לכל הרכיבים במערכת יכולת נשיאה נקובה מתאימה ליישומך.
 - **עיון:** מבנה עיון של התקן ה-SRD חייב להיות מסוגל לתמוך בעומסים של עד 12 קילו-ניוטון (1,225 ק"ג). התקני העיון צריכים לעמוד בדרישות של EN795 או של תקנים אחרים החלים על מחברי עיון.
 - **מהירות נעילה:** יש להימנע ממצבים שבהם מסלול הנפילה חסום. בעבודה בחללים צפופים או סגורים, או על משטח משופע, ייתכן שלא יתאפשר לגוף לצבור מהירות גבוהה מספיק כדי לגרום לנעילת התקן ה-D במקרה שתתרחש נפילה. בעבודה מעל חומר הנע באיטיות, כגון חול או דגן, ייתכן שהגוף לא יוכל לצבור מהירות מספקת שתגרום לנעילת התקן ה-SRD. נדרש מסלול נפילה פנוי על מנת להבטיח בודאות את נעילת התקן ה-SRD.
 - **נפילה חופשית:** בעיון מעל לראש התקני SRD מגבילים את מרחקי הנפילה ל-0.6 מ' (2 רגל). כדי למנוע מרחקי נפילה מוגדלים, עגן את התקן ה-SRD ישירות מעל לגובה העבודה. אסור בשום אופן לחבר את התקן ה-SRD לנקודת עיון שתגרום נפילה חופשית מגובה של יותר מ-1.5 מ' (5 רגל). הימנע מעבודה במקום שבו חבל ההצלה שלך עשוי להצטלב עם חבל הצלה של עובד אחר או להסתבך בו. הימנע מלעבוד במקום שבו חפץ עשוי ליפול ולפגוע בחבל ההצלה, וכתוצאה מכך לגרום לאובדן שיווי משקל או לפגיעה בחבל ההצלה. אסור לאפשר לחבל ההצלה לעבור מתחת לזרועות או בין הרגליים. אסור להדק או לקשור את חבל ההצלה, או למנוע ממנו לסגת פנימה או להימתח. יש להימנע מחופשים בחבל. **אסור להאריך התקני SRD על ידי חיבור חבל אבטחה (לניארד) או רכיב דומה, מבלי להיוועץ ב-3M.**
 - **נפילות נדנד:** נפילת נדנד מתרחשת כאשר נקודת העיון אינה מצויה הישר מעל הנקודה שבה מתרחשת הנפילה. בנפילת נדנד, כוח הפגיעה בעצמים עלול לגרום לפגיעה חמורה (ראה איור 3A). כדי לצמצם ככל האפשר את נפילות הנדנד, יש לעבוד הישר מתחת לנקודת העיון (איור 3B). עבודה הרחק מנקודת העיון (איור 3C) מגדילה את ההשפעה של נפילת הנדנד ומגדילה את מרווח הנפילה הדרוש (FC).
 - **מרווח נפילה:** איור 3B מדגים את חישוב מרווח הנפילה. מרווח נפילה (FC) הוא הסכום של נפילה חופשית (FF), מרחק ההאטה (DD) וגורם ביטחון (SF): $FC = FF + DD + SF$. מתיחת הרתמה והחלקת טבעת ה-D נכללים בגורם הביטחון. ערכי מרווח הנפילה חושבו והם מוצגים בטבלה באיור 4. גורם ביטחון של 1 מ' (3.28 רגל) שימש לכל הערכים באיור 4.
- באיור 4 מוצג מרווח הנפילה (FC) על סמך המרחק האופקי (H) והאנכי (V) בין חיבור התקן ה-SRD בגב לבין נקודת העיון. כל קו אופקי ברשת בתרשים/ים מייצג מרחק אנכי מנקודת העיון. כל קו אנכי ברשת מייצג מרחק אופקי מנקודת העיון. ערך מרווח הנפילה (FC) נקבע לפי האזור (קווים פרבוליים) שבו קווי הרשת האופקיים (H) והאנכיים (V) מצטלבים. בדוגמה באיור 4 מוצג אופן הקביעה של ערך מרווח הנפילה הדרוש (FC) עבור נתוני המרחק האופקי (H) והאנכי (V).

נקודות עיון משתנות: מרווחי הנפילה באיור 4 מבוססים על נקודת עיון קשיחה ונייחת. במקרה של עיון לחבל הצלה אופקי (HLL) או לנקודת עיון שיכולה לזוז, להחליק או להתעוות בזמן נפילה, ערכי מרווח הנפילה המופיעים באיור 4 אינם תקפים. לקבלת פרטים נוספים על מרווחי הנפילה הדרושים, הטיות ו/או עיוות, התייחס להנחיות ה-HLL או העיון.

כריעה או כפיפה: תרשימי המרווחים באיור 4 מבוססים על ההנחה שהעובד עומד. אם העובד כורע או כפוף, דרושה תוספת של 0.9 מ' (3 רגל) למרווח הנפילה.

אסור בשום אופן לבצע את העיון מתחת לכפות הרגליים: אסור בשום אופן להתחבר לנקודת עיון שנמצאת מתחת לכפות רגליך.

- **סיכונים:** שימוש בציוד זה באזורים שעלולים להימצא סביבם גורמי סיכון עשוי לדרוש אמצעי זהירות נוספים להפחתת הסיכוי לפגיעה במשתמש או לנזק לציוד. בין גורמי הסיכון נכללים, בין השאר, טמפרטורה גבוהה, כימיקלים משתכים, סביבות חומציות, קווי מתח גבוה, גזים נפיצים או רעילים, מכונות נעות או חומרים הנמצאים בגובה ועשויים ליפול ולפגוע במשתמש או במערכת בלימת הנפילה. הימנע מעבודה במקום שבו חבל ההצלה שלך עשוי להצטלב עם חבל הצלה של עובד אחר או להסתבך בו. הימנע מלעבוד במקום שבו חפץ עשוי ליפול ולפגוע בחבל ההצלה, וכתוצאה מכך לגרום לאובדן שיווי משקל או לנזק לחבל ההצלה. אסור לאפשר לחבל ההצלה לעבור מתחת לזרועות או בין הרגליים.
- **קצוות חדים:** הקוטר המינימלי של קצוות חדים שחבל ההצלה עם התקן SRD עשוי להתחכך בהם בזמן נפילה צריך להיות 0.3 ס"מ (0.125 אינץ'). אם אין אפשרות למנוע מגע עם קצה חד, יש לכסות את הקצה בחומר מגן.

2.0 שימוש במערכת

- 2.1 הגנה מפילה ותוכנית חילוץ:** המעסיק חייב לעשות שימוש בהגנה מפילה ותוכנית חילוץ. על התוכנית לספק הנחיות ודרישות לתוכנית ההגנה מפילות המנוהלת על ידי המעסיק, לרבות מדיניות, חובות והכשרה; הליכי הגנה מפילה; נטרול ובקרה על סכנות נפילה; הליכי חילוץ; חקירות תקיית; והערכת יעילות התוכנית.
- 2.2 תדירות הבדיקות:** התקני SRD צריכים להיבדק על ידי הגורם המורשה¹ או המחלץ² לפני כל שימוש (ראה טבלה 3). בנוסף לכך, ייערכו בדיקות על ידי גורם מוסמך לכך³ שאינו המשתמש. תנאי עבודה קיצוניים (סביבה קשה, שימוש ממושך וכיו"ב) עשויים להצריך בדיקות תדירות יותר על ידי גורם מוסמך. הגורם המוסמך צריך להשתמש בלוח זמני הבדיקות (טבלה 2) לצורך קביעת מרווחי הבדיקה המתאימים. נוהלי הבדיקות מתוארים ביומן הבדיקות והתחזוקה (טבלה 3). יש לרשום את תוצאות בדיקת הגורם המוסמך ביומן הבדיקות והתחזוקה או לתעד אותן במערכת זיהוי תדרי רדיו (RFID) (ראה סעיף 5).
- 2.3 תפעול שגרתי:** תפעול שגרתי יאפשר לחבל ההצלה להימתח ולהימשך בחזרה בצורה חלקה וללא או עודף רופף, תוך שהעובד נע במהירויות רגילות. במקרה של נפילה, מערכת בלימה עם חישת מהירות תופעל ותבלום את הנפילה תוך ספיגת חלק גדול מהאנרגיה שנוצרה. יש להימנע מתנועות פתאומיות בעת תפעול בעבודה שגרתי, שכן הדבר עלול להביא לנעילת התקן ה-SRD. מערכת הצלה רורבית או סופג אנרגיה נכללו כדי להפחית את כוחות בלימת הנפילה עבור נפילות המתרחשות בסמוך לקצה טווח התנועה של חבל ההצלה.
- 2.4 אחיזת גוף:** חובה להשתמש ברמת גוף מלאה עם ההתקן המתכוון (SRD). נקודת החיבור של הרמתה חייבת להיות ממוקמת מעל מרכז הכובד של המשתמש. אין להשתמש בחגורת מותניים עם ההתקן המתכוון. אם בעת שימוש בחגורת מותניים תתרחש נפילה, החגורה עלולה להשתחרר שלא במכוון או לגרום לפגיעה גופנית עקב תמיכה לא נכונה בגוף.
- 2.5 תאימות הרכיבים:** למעט אם צוין אחרת, ציוד של 3M מיועד לשימוש עם רכיבים ותת-מערכות המאפשרים על-ידי 3M בלבד. שימוש ברכיבים ותת-מערכות לא מאושרים כחלקי חילוף עלול לסכן את תאימות הציוד ולהשפיע על הבטיחות ועל האמינות של המערכת כולה.
- 2.6 תאימות המחברים:** המחברים נחשבים לתואמים לאלמנטים המתחברים כאשר הם מיועדים לפעול ביחד באופן שבו גודליהם וצורתיהם אינם גורמים למנגנוני השער שלהם להיפתח בטעות, ללא תלות בכיוון אליו הם פונים. צור קשר עם 3M אם יהיו לך שאלות כלשהן בנוגע לתאימות. על המחברים (וויס, קרבינרים וטבעות D) להיות מסוגלים לשאת לפחות 22.2 קילו-ניוטון (5,000 פאונד). המחברים מוכרחים להיות תואמים לעיון או לרכיבי המערכת האחרים. אין להשתמש בציוד שאינו תואם. מחברים לא תואמים עלולים להתנתק באופן בלתי מכוון (ראה אזור 5). הגודל, הצורה והחוק של המחברים חייבים להיות תואמים. נדרש שימוש בקרסים קפיציים ננעלים מעצמם ובטבעות טיפוס (קרבינרים). אם האלמנט המתחבר שאליו מחוברת קרס קפיצי או קרבינר קטן מדי או בעל צורה חריגה, עלול להיווצר מצב שבו האלמנט המתחבר מפעיל כוח על שער הקרס הקפיצי או הקרבינר (A). כוח זה עלול לגרום לפתיחת השער (B), ובכך לאפשר לקרס הקפיצי או לקרבינר להתנתק מנקודת החיבור (C).
- 2.7 ביצוע החיבורים:** קרסים קפיציים וקרבינרים שבהם נעשה שימוש ביחד עם ציוד זה מוכרחים להיות בעלי נעילה עצמית. ודא שכל החיבורים תואמים בגודלם, בצורתם ובחוקם. אין להשתמש בציוד שאינו תואם. ודא שכל המחברים סגורים ונעולים היטב. מחברי 3M (קרסים קפיציים וקרבינרים) מיועדים לשימוש רק לפי המפרט המופיע בהוראות למשתמש של כל מוצר. לדוגמאות לחיבורים שגויים, ראה אזור 6.

אין לחבר קרסים קפיציים וקרבינרים:

א. לטבעת "D" שאליה כבר צמוד מחבר אחר.

ב. באופן שיוביל לעומס על השער. אין לחבר קרסים קפיציים עם צוואר רחב (large throat) לטבעות "D" בגודל תקני או לעצמים דומים שביאו לעומס על השער, אם הקרס הקפיצי או טבעת ה-"D" מסתובבת או מתעקלת, למעט כאשר הקרס הקפיצי מצויד בשער של 16 קילו-ניוטון (3,600 פאונד).

ג. בחיבור שגוי, שבו גודל או צורת המחברים לצימוד אינם תואמים, וללא אישור חזותי, המחברים נראים כאילו הם מחוברים במלואם.

ד. האחד לשני.

ה. ישירות לרשת, לחבל האבטחה או לחלק הקשירה (למעט אם הוראות היצרן מתירות חיבור כזה באופן ספציפי, הן עבור חבל האבטחה והן עבור המחבר).

ו. לכל עצם שצורתו או ממדיו ימנעו מהקרס הקפיצי או מהקרבינר להיסגר ולהינעל, או שעלולה להתרחש התגלגלות החוצה (roll-out).

ז. באופן שאינו מאפשר למחבר להתיישר כהלכה בזמן שהוא תחת עומס.

טבלה 2 - לוח זמני הבדיקות		דוגמאות ליישומים	סוג השימוש
תדירות הבדיקות	תנאי השימוש	דוגמאות ליישומים	סוג השימוש
אדם מוסמך			
פעם בשנה	תנאי אחסון טובים, שימוש בתוך מבנה או שימוש בלתי תדיר בחוץ, טמפרטורת החדר, סביבה נקייה	חילוץ וחלל סגור, תחזוקת מפעלים	בלתי תדיר עד קל
פעם בחצי שנה עד פעם בשנה	תנאי אחסון נאותים, שימוש בתוך מבנה ושימוש נרחב בחוץ, כל הטמפרטורות, סביבה נקייה או מאובקת	תחבורה, בנייה למגורים, תשתיות, מחסן	בינוני עד כבד
פעם ברבעון עד פעם בחצי שנה	תנאי אחסון קשים, שימוש לזמן ארוך או באופן מתמשך בחוץ, כל הטמפרטורות, סביבה מלוכלכת	בנייה מסחרית, נפט וגז, כרייה	חמור עד מתמשך

1 אדם מורשה: אדם שהוסמך על-ידי המעביד לביצוע עבודות במקום שבו אותו אדם יהיה חשוף לסכנת נפילה.

2 מחלץ: אדם או אנשים שאינם מושא ההצלה, הפועלים במטרה לספק סיוע לחילוץ תוך הפעלת מערכת חילוץ.

3 אדם מוסמך: אדם שמונה על ידי המעביד להיות אחראי לפיקוח, להטמעה ולניטור מידיים של תוכנית ההגנה מפני נפילות המנוהלת על ידי המעביד, אשר בעזרת הכשרה וידע, הינו מסוגל לזהות, להעריך ולטפל בסכנות נפילה קיימות ופוטנציאליות, ויש לו סמכות מטעם המעביד לנקוט בפעולה מתקנת מיידית עבור סכנות אלה.

3.0 התקנה

3.1 תכנון: תכנן את מערכת ההגנה שלך מפני נפילה לפני תחילת עבודתך. עליך לקחת בחשבון את כל הגורמים שעשויים להשפיע על בטיחותך, לפני נפילה, במהלכה או אחריה. קח בחשבון את כל הדרישות והמגבלות המוגדרות בסעיף 2.

ברוב היישומים, ניתן לחבר חבל ביטחון מסוג Nano-Lok אל העיגון או הרתמה שבמיקום Dorsal. ניתן לחבר בכל כיוון; פרט למצוין בסעיף 4

3.2 עיגון: באיור 7 מתוארים חיבורי עיגון טיפוסיים של חבל ביטחון. בחר מיקום לעיגון עם סיכון מינימלי לנפילה חופשית או נפילת תנופה (ראה סעיף 1). בחר נקודת עיגון קשיחה היכולה לשאת את העומסים הסטטיים המוגדרים בסעיף 1. אם לא ניתן לבצע עיגון לתקרה, ניתן להדק את חבלי הביטחון מסוג Nano-Lok אל נקודת עיגון שמתחת לגובה Dorsal D-Ring של המשתמש. עבור משתמשים במשקל של עד 140 ק"ג (310 פאונד), נקודת העיגון לא תהיה יותר מ-1.5 מטרים (5 רגל) מתחת ל-Dorsal D-Ring.

3.3 הרכבת הרתמה: דגמי חבלי ביטחון מסוימים כוללים ממשק רתמת חבל ביטחון יחיד או כפול להרכבת חבלי הביטחון על רתמת גוף מלא מתחת ל-Dorsal D-Ring:

רתמות גוף מלא מסוימות מצוידות בחוליית חבל ביטחון אישית (PSRL Link) אשר משלבת את ה-Dorsal D-Ring עם אלמנטי חיבור עבור התקני קיפול עצמי המורכבים על הרתמה (איור 8). ניתן גם לחבר את חבל הביטחון אל ה-Dorsal D-Ring של הרתמה באמצעות טבעת הנעילה המתברגת (קרבינר) או Snaphook.

● **הרכבת רתמת חבל ביטחון יחידה:** אם ישנה חשיבות קריטית לכך שהעובד יהיה נייד, ניתן להשתמש בממשק רתמת חבל ביטחון כדי להרכיב את חבל הביטחון על גב רתמת גוף מלאה מתחת ל-Dorsal D-Ring (ראה איור 9). לאחר מכן העובד יוכל להתחבר אל מגוון נקודות עיגון שנמצאות ברחבי האתר באמצעות קצה הרגל של חבל הביטחון ומבלי להתקין מחדש את חבל הביטחון. להרכבת חבל הביטחון על רתמת גוף מלאה יחד עם ממשק רתמת חבל הביטחון:

- 1. שחרר את חיזוק הרתמה:** משוך החוצה את רצועות הרשת (A) במקום שבו הן עוברות דרך תחתית ה-Dorsal D-Ring (B) עד שיהיה מספיק מקום להחלקת ממשק רתמת חבל הביטחון בין רצועות הרשת לרפידת ה-D-Ring.
- 2. פתח את ממשק הרתמה:** משוך מטה את לחצני הנעילה (C) בו זמנית, והחלק את פין הנעילה (D) החוצה.
- 3. מקם את חבל הביטחון על ממשק הרתמה:** העבר את פין הטבעת הפתוח שבממשק הרתמה דרך עין הסביבול שעל חבל הביטחון (E). השחל את הממשק דרך עיני הסביבול כך שחבל הביטחון ייתלה ממרכז ממשק הרתמה (F).
- 4. מקם את ממשק הרתמה מסביב לרצועות הרשת:** מקם את פין הטבעת הפתוח של ממשק הרתמה מסביב לרצועות הרשת (A) החופשיות.
- 5. סגור את ממשק הרתמה:** דחוף את פין הנעילה של ממשק הרתמה (D) דרך רצועות הרשת הרפויות (A) עד שיינעל למקומו בקצה המנוגד של ממשק הרצועה. משוך את רצועות הרתמה בחזרה דרך ה-Dorsal D-Ring ורפידת הגב כדי להדק את ממשק הרתמה

הרצועה האדומה שעל קצה הבורר בפין הנעילה של ממשק הרתמה יהיה חשוף אם ממשק הרתמה אינו נעול. למניעת שחרור של החיבור בטעות, ודא תמיד שממשק הרתמה נעול לפני השימוש ברתמה וחיבור חבל ביטחון. אי ציות להוראות אלו עלול לגרום לפציעה או מוות.

● **הרכבת רתמת חבל ביטחון כפולה:** במשימות טיפוס בהן יש צורך בקשירה מלאה, ניתן להשתמש בממשק רתמת חבל הביטחון כדי להרכיב שני חבלי ביטחון אחד לצד השני בגב של רתמת גוף מלאה מתחת ל-Dorsal D-Ring (ראה איור 9). להרכבת שני חבלי ביטחון על רתמת גוף מלא יחד עם ממשק רתמת חבל ביטחון:

- 1. שחרר את חיזוק הרתמה:** משוך החוצה את רצועות הרשת (A) במקום שבו הן עוברות דרך תחתית ה-Dorsal D-Ring (B) עד שיהיה מספיק מקום להחלקת ממשק רתמת חבל הביטחון בין רצועות הרשת לרפידת ה-D-Ring.
- 2. פתח את ממשק הרתמה:** משוך מטה את לחצני הנעילה (C) בו זמנית, והחלק את פין הנעילה (D) החוצה.
- 3. מקם את חבלי הביטחון על ממשק הרתמה:** העבר את פין הטבעת הפתוח שבממשק הרתמה דרך עין הסביבול שבכל חבל ביטחון (E). השחל את הממשק דרך עיני הסביבול כך שחבלי הביטחון ייתלו ממרכז ממשק הרתמה (F).
- 4. מקם את ממשק הרתמה מסביב לרצועות הרשת:** מקם את פין הטבעת הפתוח של ממשק הרתמה מסביב לרצועות הרשת (A) החופשיות.
- 5. סגור את ממשק הרתמה:** דחוף את פין הנעילה של ממשק הרתמה (D) דרך רצועות הרשת הרפויות (A) עד שיינעל למקומו בקצה המנוגד של ממשק הרצועה. משוך את רצועות הרתמה בחזרה דרך ה-Dorsal D-Ring ורפידת הגב כדי להדק את ממשק הרתמה

הרצועה האדומה שעל קצה הבורר בפין הנעילה של ממשק הרתמה יהיה חשוף אם ממשק הרתמה אינו נעול. למניעת שחרור של החיבור בטעות, ודא תמיד שממשק הרתמה נעול לפני השימוש ברתמה וחיבור חבל ביטחון. אי ציות להוראות אלו עלול לגרום לפציעה או מוות.

- **הרכבת רתמת חבל ביטחון D-Ring קבועה כפולה:** רתמות גוף מלא ישנות מסוג ExoFit עם D-Ring קבועה מחייבות שימוש בממשק רתמת חבל ביטחון מיוחד להרכבת שני חבלי ביטחון בגב הרתמה מתחת ל-D-Ring Dorsal. להרכבת שני חבלי ביטחון על רתמת גוף מלא מסוג ExoFit עם ממשק רתמת חבל ביטחון D-Ring קבוע (איור 10):

- 1. שחרר את חיזוק הרתמה: משוך החוצה את רצועות הרשת (A) במקום שבו הן עוברות דרך תחתית ה-D-Ring (B).** עד שיהיה מספיק מקום להחלקת ממשק רתמת חבל הביטחון בין רצועות הרשת לרפידת ה-D-Ring.
- 2. פתח את ממשק הרתמה:** כאשר ממשק רתמת חבל הביטחון בכיוון המודגם, דחף את שרוול הנעילה (C) ימינה ולאחר מכן סובב בכיוון השעון כדי לשחרר את פין הטבעת (D). הקפץ את פין הטבעת (D) מטה לפתיחה.
- 3. הברג את חבל הביטחון הראשון על ממשק הרתמה: הכנס את אף המחבר (E) דרך עין הסביבול (F) שעל חבל הביטחון, ולאחר מכן סובב את חבל הביטחון אל קצה פין הטבעת של המחבר (G).** ניתן לסגור את פין הטבעת כדי לאפשר מרווח בעין הסביבול בין פין הטבעת לגב המחבר.
- 4. מקם את ממשק הרתמה מסביב לרצועות הרשת:** הכנס את אף המחבר (E) מאחורי רצועות הרשת (A). סובב את המחבר מאחורי רצועות הרשת עד שהוא יקיף את רצועות הרשת.
- 5. הוסף את חבל הביטחון השני על ממשק הרתמה:** החלק את עין הסביבול של חבל הביטחון (F) מעל לאף המחבר (E) ומקם את עין הסביבול של חבל הביטחון בקצה האף של המחבר.
- 6. סגור את ממשק הרתמה:** אפשר לפין הטבעת (D) להסתובב ולהיסגר, ולשרוול הנעילה (C) להסתובב בחזרה אל המיקום הנעול שלו. לאחר שממשק הרתמה נסגר, משוך את רצועות הרשת (A) בחזרה דרך ה-D-Ring Dorsal כדי למנוע רפיון ברצועות החיזוק והדק את ממשק הרתמה בין רצועות הרשת ורפידת הגב.

- **3M® DBI-SALA® טבעת נעילה מתברגת (קרבינר) כפולה:** 3M® DBI-SALA® טבעת נעילה מתברגת (קרבינר) כפולה מתוכננת להרכבה של שני חבלי ביטחון Nano-Lok אחד לצד השני בגב של רתמת גוף מלא, מתחת ל-D-Ring Dorsal (ראה איור 12). להרכבת שני חבלי ביטחון מסוג Nano-Lok על רתמת גוף מלא יחד עם טבעת נעילה מתברגת (קרבינר) כפולה:

- 1. שחרר את חיזוק הרתמה: משוך החוצה את רצועות הרשת (A) במקום בו הן עוברות דרך תחתית ה-D-Ring (B)** עד שיהיה מספיק מקום להחלקת ממשק הרגל הכפול בין רצועות הרשת לרפידת ה-D-Ring.
- 2. פתח את טבעת הנעילה המתברגת (קרבינר) הכפולה:** דחף מעלה את אינסרט המחבר (C) כדי לשחרר את התופסנים (D) מהמחבר, ולאחר מכן טלטל את אינסרט המחבר כדי לשחרר את פין הטבעת. דחף את פין הטבעת (E) פנימה כדי לפתוח את המחבר.
- 3. הברג את חבל הביטחון מסוג Nano-Lok הראשון אל טבעת הנעילה המתברגת (קרבינר) הכפולה:** הכנס את אף המחבר (F) דרך עין הסביבול (G) שעל ה-SRL ולאחר מכן סובב את ה-SRL אל קצה פין הטבעת של המחבר (H). ניתן לסובב את פין הטבעת כלפי האף כדי לאפשר מרווח בעין הסביבול בין פין הטבעת לגב המחבר.
- 4. מקם את טבעת הנעילה המתברגת (קרבינר) הכפולה מסביב לרצועות הרשת:** כאשר פין הטבעת פונה למעלה, הכנס את אף המחבר (F) מאחורי רצועות הרשת (A). סובב את המחבר מאחורי רצועות הרשת עד שהוא יקיף את רצועות הרשת.
- 5. הוסף את חבל הביטחון מסוג Nano-Lok לטבעת הנעילה המתברגת (קרבינר) הכפולה:** החלק את עין הסביבול של ה-SRL (G) מעל לאף המחבר (F) ומקם את עין הסביבול של ה-SRL בקצה האף של המחבר (F). טלטל את פין הטבעת (E) כדי לסגור.
- 6. סגור את טבעת הנעילה המתברגת (קרבינר) הכפולה:** סובב את אינסרט המחבר (C) קדימה כדי שהתופסנים (D) יהודקו על גבי המחבר. כאשר רצועות הרשת סגורות היטב הן אמורות לעבור דרך פתח רצועת החיזוק (J) בחלק העליון של אינסרט המחבר, ועיני הסביבול ב-SRL אמורות להיות מהודקות בשקעים (K) שמשני צידי אינסרט המחבר. לאחר שממשק הרתמה נסגר, משוך את רצועות הרשת (A) בחזרה דרך ה-D-Ring Dorsal ורפידת ה-D-Ring כדי למנוע רפיון ברצועות החיזוק והדק את המחבר בין רצועות הרשת לרפידת ה-D-Ring.

- **3M® DBI-SALA® טבעת נעילה מתברגת (קרבינר) פין כפול:** ניתן להשתמש באיזור רתמה זה כדי להרכיב Nano-Lok אחד או שניים במשימות טיפוס (ראה איור 11), כאשר נדרשת קשירה מלאה:

- 1. שחרר את חיזוק הרתמה: משוך החוצה את רצועות הרשת (A) במקום בו הן עוברות דרך תחתית ה-D-Ring (B)** עד שיהיה מספיק מקום להחלקת ממשק הרגל הכפול בין רצועות הרשת לרפידת ה-D-Ring.
- 2. לתצורה יחידה:** מקם את עין הסביבול של SRL יחיד בחלל הפתוח המרכזי.
- 3. בתצורה כפולה:** מקם את עין הסביבול של ה-SRL בחלל הפתוח הקרוב ביותר אל הפין ו-SRL אחד בחלל הפתוח הרחוק ביותר מהפין.
- החלק את הפין בחזרה למקומו עד שתישמע נקישה. הפין אמור להינעל ולהיות מהודק למקומו.
- לחץ בו זמנית על שני הלחצנים שעל צד הרתמה של המחבר תוך החלקת הפין החוצה. החלקה החוצה של פין זה יוצרת חלל פתוח.
- משוך מעלה כמות קטנה של רצועת חיזוק משוחררת ישירות מתחת ל-D-Ring Dorsal שברתמה שלך. הנח את צד הרתמה של המחבר מאחורי ה-D-Ring.
- החלק את הפין בחזרה למקומו וודא שהוא יישאר מאחורי שתי שכבות חיזוק הרתמה, עד שתישמע נקישה. הפין אמור להינעל ולהיות מהודק למקומו.

4.0 תפעול

על המשתמשים לראשונה או בתדירות נמוכה בהתקנים המתכוונים (חבלי ביטחון) לעיין ב"מידע הבטיחות" שבתחילת מדריך זה לפני השימוש בחבל ביטחון.

- 4.1 לפני כל שימוש:** לפני כל שימוש בצידוד ההגנה מפני נפילה, בדוק אותו בקפידה וודא שהוא במצב טוב ומוכן לפעולה. בדוק האם קיימים חלקים בלויים או פגומים. ודא שכל הברגים נמצאים ומוברגים היטב. בדוק שה-Lifeline נמשך בחזרה כמו שצריך על ידי משיכת החבל החוצה ושחרורו כך שיוכל להימשך בחזרה באיטיות. אם יש ספק במשיכה, יש להוציא את היחידה משירות ולהשמידה. בדוק האם על ה-Lifeline קיימים חתכים, חלקים בלויים, חרוכים, מעוכים או קורוזיה. בדוק את פעולת הנעילה על ידי משיכת החבל בחוזקה. עיין ביומן הבדיקה והתחזוקה (טבלה 3) לקבלת פרטי הבדיקה. אסור להשתמש בצידוד אם הבדיקה מצביעה על מצב לא בטוח.
- 4.2 אחרי נפילה:** יש להוציא מיד משימוש ולהשמיד כל חבל ביטחון שהיה חשוף לכוחות של עצירת נפילה או שיש עליו סימני נזק המתאימים להשפעות של כוחות עצירת נפילה כפי שמתוארים בטבלה 3.
- 4.3 אחיזת גוף:** יש ללבוש רתמת גוף מלאה בשימוש בהתקני חבל ביטחון. בשימוש להגנה כללית מפני נפילה, התחבר אל ה-D-Ring (Dorsal) האחורית שבגב.
- 4.4 ביצוע החיבורים:** איור 5 מדגים את חיבורי הרתמה והעיון עבור מערכות בלימת הנפילה של חבל הביטחון. בעת שימוש בקרס ליצירת חיבור, ודא שהטבעת לא תוכל להתגלגל החוצה (ראה איור 5). אין להשתמש בקרסים או במחברים שאינם נסגרים לחלוטין מעל אובייקט החיבור. אין להשתמש בקרסים קפיציים ללא מנגנון נעילה. על העיון לעמוד בדרישות חוק העיון המפורטות בטבלה 2. מלא אחר הוראות היצרן שסופקו עבור כל רכיב מערכת.

4.5 תפעול: לפני השימוש, בדוק את חבל הביטחון כמתואר בטבלה 3. באיור 14 מוצגים מחברי מערכת ליישומי חבל ביטחון טיפוסיים. חבר את חבל הביטחון אל עיגון מתאים או הרכב את חבל הביטחון בגב רתמת גוף מלא בהתאם להנחיות שבסעיף 3. בחבלי ביטחון עם חיבור עיגון, חבר את הו (D) או את טבעת הנעילה המתברגת (קרבינר) שבמחונן העומס אל ה-Dorsal D-Ring (A) שברתמת הגוף המלא. בחבלי ביטחון המורכבים על רתמה, חבר את הו (D) או טבעת הנעילה המתברגת (קרבינר) אל עיגון מתאים. ודא שמידות המחברים, צורתם וחוזקם מתאימים. ודא שהוויים סגורים היטב ונעולים. לאחר שחובר, הפועל חופשי לנוע בתוך אזור העבודה המומלץ במהירויות רגילות. במקרה של נפילה, חבל הביטחון יינעל ויבלום אותה. לאחר ההצלה, הוצא את חבל הביטחון משימוש. בעת עבודה עם חבל ביטחון, אפשר תמיד ל-Lifeline לסגת חזרה לתוך ההתקן בצורה מבוקרת.

4.6 קשירה 100% בממשק חבל ביטחון כפול: אם מורכבים שני חבלי ביטחון אחד לצד השני בגב רתמת גוף מלא, ניתן להשתמש במערכת חבל ביטחון לבלימת נפילה לצורך הגנה רציפה מפני נפילה (קשירה מלאה) תוך כדי עלייה, ירידה או תנועה רוחבית (ראה איור 15). עם רגל חבל ביטחון אחת המחוברת לנקודת עיגון, העובד יכול לעבור למיקום חדש, לחבר את רגל חבל הביטחון שאינה בשימוש לנקודת עיגון נוספת, ולהתנתק מנקודת העיגון המקורית. סדר הפעולות חוזר על עצמו עד שהעובד מגיע למיקום הרצוי. שיקולים ליישומי קשירה 100% בחבל ביטחון כפול כוללים את הדברים הבאים:

- לעולם אל תחבר את רגלי חבל הביטחון לאותה נקודת עיגון (ראה איור 16א).
- חיבור מספר מחברים לנקודת חיבור עיגון אחת (טבעת או עין) עלול לסכן את התאמת החיבור עקב התגובה ההדדית בין שני המחברים, והוא לא מומלץ.
- חיבור כל רגל חבל ביטחון לנקודת עיגון נפרדת הוא מקובל (איור 16ב).
- כל מיקום חיבור חייב לתמוך בנפרד ב-2,248 פאונד (10 קילו-ניוטון) או שיש להשתמש במערכת הנדסית כגון Horizontal Lifeline.
- לעולם אל תחבר יותר מאדם אחד בכל פעם לחבל ביטחון כפול (איור 16ג).
- אל תאפשר לרגלי חבל הביטחון להסתבך או להתעוות יחדיו, מכיוון שזה עלול למנוע מהן להיגלל בחזרה.
- אל תאפשר לרגלי חבל הביטחון לעבור מתחת לזרועות או לרגליים בעת השימוש.

4.7 הרכבת D-RING כפולה של חבל ביטחון: ניתן להרכיב דגמים בעלי טבעת נעילה מתברגת (קרבינר) אל ה-Dorsal D-Ring בתצורה כפולה. להרכבת שני חבלי ביטחון על ה-Dorsal D-Ring של רתמה (איור 13):

1. פתח את טבעת הנעילה המתברגת (קרבינר) בעל הפעולה המשולשת: כאשר ממשק רתמת חבל הביטחון בכיוון המודגם, דחף את שרוול הנעילה (C) לצד ימין ולאחר מכן סובב עם כיוון השעון כדי לשחרר את פין הטבעת (D). הקפץ את פין הטבעת (D) מטה לפתיחה.
2. הברג את חבל הביטחון הראשון אל טבעת הנעילה המתברגת (קרבינר) בעל הפעולה המשולשת: הכנס את אף המחבר (E) דרך עין הסביבול (F) שעל חבל הביטחון ולאחר מכן סובב את חבל הביטחון אל קצה פין הטבעת של המחבר (G). ניתן לסגור את פין הטבעת כדי לאפשר מרווח בעין הסביבול בין פין הטבעת לגב המחבר.
3. הוסף את חבל הביטחון השני על טבעת הנעילה המתברגת (קרבינר) בעל הפעולה המשולשת: החלק את עין הסביבול של חבל הביטחון (F) מעל לאף המחבר (E).
4. הברג את טבעת הנעילה המתברגת (קרבינר) בעל הפעולה המשולשת דרך ה-D-Ring: הכנס את אף המחבר (E) דרך ה-Dorsal D-Ring. סובב את המחבר דרך ה-D-Ring עד שניתן יהיה לסגור את פין הטבעת.
5. סגור את טבעת הנעילה המתברגת (קרבינר) בעל הפעולה המשולשת: אפשר לפין הטבעת (D) להסתובב ולהיסגר, ולשרוול הנעילה (C) להסתובב בחזרה אל המיקום הנעול שלו.

4.8 מערכות אופקיות: ביישומים שבהם נעשה שימוש בחבל ביטחון בשילוב עם מערכת אופקית (כגון Horizontal Lifeline, Horizontal I-Beams, Trolley), על המערכות האופקיות להיות תואמות לחבל הביטחון. יש לתכנן ולהתקין מערכות אופקיות אך ורק בפיקוח מהנדס מוסמך. לפרטים, בדוק את הוראות היצרן של ציוד המערכת האופקית.

ערכי מרווח הנפילה שבאיור 4 מבוססים על עיגון לנקודת עיגון נייחת וקשיחה, ואינם חלים על עיגון למערכת Horizontal Lifeline (HLL). עיין במדריך ה-HLL ובהוראות ההתקנה של ה-HLL לקבלת פרטים אודות מרווח הנפילה.

5.0 בדיקה

תג RFID 5.1: ההתקן בעל הקיפול העצמי מכיל תג זהוי בתדר רדיו (RFID) (ראה איור 17). ניתן להיעזר בתג RFID יחד עם הקורא הנישא ועם פורטל האינטרנט על מנת להקל על הבדיקות וביקורת המלאי וכדי לספק רישום מתועד של ציוד בלימת הנפילה שברשותך. לפרטים, צור קשר עם נציג שירות לקוחות של M3 (ראה כריכה אחורית). להעברת נתונים ליומן באינטרנט, פעל לפי ההוראות המסופקות עם הקורא הנישא או פורטל האינטרנט.

5.2 תדירות הבדיקות: ההתקן בעל הקיפול העצמי חייב להיבדק בפרקי הזמן המוגדרים בסעיף 2. נוהלי הבדיקות מתוארים ב-"יומן בדיקות ותחזוקה" (טבלה 3).

בתנאי עבודה קיצוניים ביותר (סביבה קשה, שימוש ממושך וכיו"ב) ייתכן שיהיה צורך להגביר את תדירות הבדיקות (ראה טבלה 2).

5.3 תנאים לא בטיחותיים או פגמים: אם בדיקה מגלה מצב לא בטוח או פגם, הוצא מיד את חבל הביטחון משימוש וסלק אותו (ראה סעיף 6).

רק ל-3M ולגופים המאושרים בכתב מותר לבצע תיקונים בציוד זה.

5.4 חיי המוצר: משך הזמן בו ניתן להשתמש בהתקני ה-3M בעלי הקיפול העצמי נקבע על פי תנאי העבודה והתחזוקה. כל עוד המוצר עומד בקריטריוני הבדיקה ניתן להמשיך להשתמש בו (בכפוף למשך החיים המרבי של המוצר). משך החיים המרבי של חבל ביטחון עם חבלי הצלה מטקסטיל לא יעלה על 10 שנים מתאריך הייצור.

6.0 תחזוקה, טיפול ואחסון

6.1 ניקוי: נוהלי ניקוי של חבל ביטחון:

- נקה מעת לעת את החלק החיצוני של חבל הביטחון בעזרת מים ותמיסת סבון עדינה. מקם את חבל הביטחון כך שהמים העודפים יוכלו להתנקז החוצה. במידת הצורך, נקה את התוויות.
- נקה את רשת חבל ההצלה במים ובתמיסת סבון עדינה. שטוף וייבש היטב באוויר. אין לזרז את הייבוש באמצעות חום. יש לייבש את חבל ההצלה לפני שמאפשרים לו להיגלל לתוך בית ההתקן. הצטברות יתר של לכלוך, צבע וכיו"ב, עשויה למנוע מחבל ההצלה להיגלל כולו לאחור לתוך בית ההתקן ובכך לגרום לסיכון אפשרי לנפילה חופשית.

6.2 תחזוקה: חבלי ביטחון אינם ניתנים לתיקון. אם חבל הביטחון היה חשוף לכוחות נפילה או שבדיקה מעלה מצב לא בטוח או פגם, יש להוציא את חבל הביטחון משימוש ולסלק אותו (ראה "סילוק").

6.3 אחסון\הובלה: יש לאחסן ולשנע את חבלי הביטחון בסביבה קרירה, יבשה ונקייה ללא אור שמש ישיר. הימנע מאזורים שבהם עשויים להימצא אדי כימיקלים. לאחר כל תקופה של אחסון ממושך, בדוק היטב את חבל הביטחון.

6.4 סילוק: אם חבל הביטחון היה חשוף לכוחות נפילה או שבדיקה מעלה מצב לא בטוח או פגם, יש לסלק את חבל הביטחון. לפני סילוק חבל הביטחון, חתוך את חבל הצלה לחצי או נטרל את החבל כולו כדי למנוע אפשרות שימוש בשוגג.

7.0 תוויות

איור 22 מציג את התוויות שעל התקן הקיפול העצמי ואת מיקומן. כל התוויות חייבות להימצא על חבל הביטחון. יש להחליף את התוויות אם הן אינן קריאות בשלמותן. הפיקטוגרמות שעל התוויות מוגדרות באופן הבא:

1	בדוק את מחוון המכה של הקרס הקפיצי.
2	בדוק את פעולת הנעילה של ה-SRL.
3	אופן החיבור של SRL לרתמה
4	אינו מתאים לקצוות חדים. ניתן לחבר לנקודת עיגון שנמצאת מעל, מתחת או באותו הגובה עם Dorsal D-Ring (עד 140 ק"ג).
5	טווח טמפרטורות שימוש $+60^{\circ}\text{C}$ - -40°C
6	קיבולת מרבית 140 ק"ג
7	אפשר תמיד גלילה של החבל ההצלה אל תוך ה-SRL בצורה מבוקרת.
8	אין לתקן
9	שמור במקום קריר יבש ונקי; ללא אור שמש ישיר.
10	אין להעמיס מעבר לקצה.
11	אין להסיר את התווית.

טבלה 3 - יומן בדיקה ותחזוקה

מספר/ים סידורי/ים:		תאריך רכישה:	
מספר דגם:		תאריך שימוש ראשון:	
תאריך בדיקה:		נבדק על ידי:	
רכיב:	בדיקה:	עבר	נכשל
חבל ביטחון (איור 18)	ודא שאין מהדקים רופפים וחלקים מעוקמים או פגומים.	<input type="checkbox"/>	<input type="checkbox"/>
	בדוק שאין בתושבת (A) עיוותים, סדקים או נזק אחר.	<input type="checkbox"/>	<input type="checkbox"/>
	בדוק את הסביבול (B) ואת עין הסביבול (C) או את המחבר האינטגרלי (D), ונסה לאתר עיוותים, סדקים או נזק אחר. יש לחבר היטב את הסביבול ל-SRL, אך עליו להסתובב בחופשיות על הציר. עין הסביבול או המחבר האינטגרלי צריכים להסתובב בחופשיות בסביבול.	<input type="checkbox"/>	<input type="checkbox"/>
	על חבל ההצלה (E) להימשך ולחזור למצבו הקודם באופן מלא, ללא עיכוב ומבלי ליצור מצב של חבל רפוי.	<input type="checkbox"/>	<input type="checkbox"/>
	ודא שחבל הביטחון ננעל כאשר חבל ההצלה נמשך בחזקה. על הנעילה להיות מאובטחת ללא החלקה.	<input type="checkbox"/>	<input type="checkbox"/>
	התוויות צריכות להימצא במקום ולהיות קריאות (ראה איור 20).	<input type="checkbox"/>	<input type="checkbox"/>
בדוק את חבל הביטחון כולו ונסה לאתר סימני קורוזיה.	<input type="checkbox"/>	<input type="checkbox"/>	
מחברי קצה (איור 19)	טבלה 2 מציינת את מחברי הקצה שאמורים להיכלל בדגם חבל הביטחון Nano-Lok שברשותך. בחן את כל הווים הנצמדים, את הטבעת עם הנעילה המתברגת (קרבינר), ממשקים, וכדומה, נסה לאתר סימני נזק, קורוזיה וודא שהם פועלים באופן תקין. אם הם קיימים: פני הטבעת אמורים להיפתח, להיסגר, להינעל ולהשתחרר בהתאם, ולחצני הנעילה ופיני הנעילה אמורים לפעול כשורה.	<input type="checkbox"/>	<input type="checkbox"/>
חבל הצלה (איור 20)	בדוק את רצועות החיזוק; החומר חייב להיות נטול סיבים חתוכים (A), שחוקים (B) או שבורים. חפש קרעים, חלקים משופשפים, לכלוך כבד (C), עובש, חריכות (D) או שינויים בצבע. בדוק את התפרים; חפש תפרים שנמשכו החוצה או נקרעו. תפרים קרועים עלולים להיות סימן שהרתמה עברה עומס של פגיעה ויש להוציאה משימוש.	<input type="checkbox"/>	<input type="checkbox"/>
סופג אנרגיה (איור 21)	ודא שסופג האנרגיה הפנימי לא הופעל. כיסוי פתוח או כיסוי קרוע (A), רצועת חיזוק שנמשכה מתוך הכיסוי, רצועת חיזוק קרועה או שחוקה (B), תפרים קרועים וכדומה הם סימן לסופג אנרגיה שהופעל.	<input type="checkbox"/>	<input type="checkbox"/>
פעולה/תחזוקה מתקנת:		מאושר על ידי:	
		תאריך:	
פעולה/תחזוקה מתקנת:		מאושר על ידי:	
		תאריך:	
פעולה/תחזוקה מתקנת:		מאושר על ידי:	
		תאריך:	
פעולה/תחזוקה מתקנת:		מאושר על ידי:	
		תאריך:	
פעולה/תחזוקה מתקנת:		מאושר על ידי:	
		תאריך:	
פעולה/תחזוקה מתקנת:		מאושר על ידי:	
		תאריך:	
פעולה/תחזוקה מתקנת:		מאושר על ידי:	
		תאריך:	
פעולה/תחזוקה מתקנת:		מאושר על ידי:	
		תאריך:	

Prije korištenja samouvlačivog uređaja (SRD) pročitajte, usvojite i pridržavajte se svih sigurnosnih informacija sadržanih u ovim uputama. NEPRIDRŽAVANJE UPUTA MOGLA BI DOVESTI DO OZBILJNIH OZLJEDA ILI SMRTI.

Upute se moraju dostaviti korisniku ove opreme. Spremite upute za buduće korištenje.

Namjena opreme:

Samouvlačivi uređaj koristi se kao dio kompletnog osobnog sustava za zaštitu od pada.

Korištenje u bilo koje druge svrhe, uključujući, bez ograničenja, rukovanje materijalima, rekreacijske i aktivnosti vezane uz sport te druge aktivnosti koje nisu opisane u ovim Korisničkim uputama, tvrtka 3M ne podržava i moglo bi dovesti do ozbiljnih ozljeda ili smrti.

Ovaj je uređaj namijenjen isključivo kako bi obučeni korisnici obavljali radne zadatke.

! UPOZORENJE

Ovaj samouvlačivi uređaj koristi se kao dio osobnog sustava za zaštitu od pada. Očekuje se da svi korisnici budu u potpunosti obučeni za sigurno postavljanje i rukovanje svojim osobnim sustavom za zaštitu od pada. **Neodgovarajuće korištenje ovog uređaja moglo bi dovesti do ozbiljnih ozljeda ili smrti.** Upute za odgovarajući odabir, rukovanje, postavljanje, održavanje i servisiranje potražite u ovim Korisničkim uputama uključujući sve preporuke proizvođača, kod svog nadređenog djelatnika ili se obratite Odjelu za tehničke usluge tvrtke 3M.

- **U svrhu smanjenja opasnosti vezanih uz rukovanje SRD uređajem, koje, ukoliko ne budu izbjegnute, bi mogle dovesti do ozbiljnih ozljeda ili smrti:**
 - Prije svake uporabe, pregledajte SRD uređaj i provjerite ispravno funkcioniranje zaključavanje i uvlačenja.
 - Ako pregled otkrije da je uređaj u nesigurnom ili neispravnom stanju, uklonite ga iz uporabe i popravite ili zamijenite u skladu s Korisničkim uputama.
 - Ako je SRD uređaj bio izložen silama zaustavljanja pada ili udarnom opterećenju, odmah ga povucite iz uporabe i označite oznakom „NEUPOTREBLJIVO“.
 - Vodite računa da uže za spašavanje bude bez bilo kakvih prepreka uključujući, bez ograničenja, zaplitanje s pokretnim strojevima i opremom (primjerice nadgrađe naftne platforme), zaplitanje s drugim radnicima, samozaplitanje, predmete u okruženju ili udare od predmeta iznad glave koji bi mogli pasti na uže za spašavanje ili djelatnika.
 - Nikad ne dopustite da se uže za spašavanje olabavi. Nemojte vezati niti praviti čvorove na užetu za spašavanje.
 - Pričvrstite neiskorišteni(e) krak(ove) SRD uređaja montiranog na uprtač, na pridržać(e) uzeta na uprtaču ako su u opremi.
 - Ne koristite u primjenama u kojima postoje prepreke na putanji pada. Rad na sipkom materijalu, poput pijeska ili žita odnosno u skučenim ili zakrčenim prostorima, možda neće omogućiti djelatniku dostizanje brzine dovoljne za zaključavanje SRD uređaja. Za osiguravanje sigurnog zaključavanja SRD uređaja potrebna je slobodna putanja.
 - Izbjegavajte nagle ili brze pokrete tijekom normalnog rada. To bi moglo dovesti do zaključavanja uređaja.
 - Vodite računa da sustavi/podsustavi za zaštitu od pada, sklopljeni od komponenti različitih proizvođača, budu međusobno kompatibilni i zadovoljavaju zahtjeve primjenjivih standarda, uključujući ANZI Z359, kao i odredbe drugih primjenjivih propisa, standarda i zahtjeva za zaštitu od pada. Prije uporabe ovih sustava, uvijek se konzultirajte s kompetentnom odnosno kvalificiranom osobom.
- **U svrhu smanjenja opasnosti vezanih uz rad na visini koje bi, ukoliko ne budu izbjegnute, mogle dovesti do ozbiljnih ozljeda ili smrti:**
 - Vodite računa da su vaše zdravstveno stanje i tjelesna kondicija na razini koja omogućuje sigurno podnošenje svih sila vezanih uz rad na visini. Za sva pitanja vezana uz vašu sposobnost za korištenje ove opreme, obratite se svom liječniku.
 - Nikad ne premašujte dopušteni kapacitet svoje opreme za zaštitu od pada.
 - Nikad ne premašujte maksimalnu razdaljinu slobodnog pada svoje opreme za zaštitu od pada.
 - Ne koristite bilo kakvu opremu za zaštitu od pada koja otkáže prilikom pregleda prije uporabe ili bilo kojeg drugog pregleda niti kada imate nedoumice u pogledu načina korištenja ili prikladnosti opreme za konkretnu primjenu. Za sva pitanja obratite se Odjelu za tehničke usluge tvrtke 3M.
 - Pojedine kombinacije podsustava i komponenata mogu ometati korištenje ove opreme. Koristite samo kompatibilne spone. Konzultirajte se s tvrtkom 3M prije korištenja opreme u kombinaciji s komponentama i podsustavima koji se razlikuju od onih opisanih u ovim Korisničkim uputama.
 - Poduzmite dodatne mjere opreza prilikom rada u blizini pokretnih strojeva (primjerice nadgrađa naftne platforme), električne opasnosti, ekstremnih temperatura, kemijskih opasnosti, eksplozivnih ili otrovnih plinova, oštih ivica ili ispod tereta koji bi mogao pasti na vas ili na vašu opremu za zaštitu od pada.
 - Za rad u okruženjima s visokim temperaturama koristite Arc Flash ili Hot Works uređaje.
 - Izbjegavajte površine i objekte koji bi mogli ozlijediti korisnika ili oštetiti opremu.
 - Prilikom rada na visini, vodite računa o odgovarajućem odstojanju za pad.
 - Nikada ne pravite izmjene i preinake svoje opreme za zaštitu od pada. Opravke opreme može obavljati isključivo tvrtka 3M odnosno tvrtke koje za to imaju pismeno dopuštenje tvrtke 3M.
 - Prije korištenja opreme za zaštitu od pada, provjerite je li donesen plan spašavanja koji omogućuje brzo spašavanje u slučaju pada.
 - U slučaju pada, odmah zatražite liječničku pomoć za djelatnika koji je pao.
 - Ne koristite pojas za tijelo u primjenama za ublažavanje pada. Koristite isključivo uprtač za cijelo tijelo.
 - Minimizirajte padove s klaćenjem tako što ćete radove obavljati izravno ispod točke sidrišta ili što bliže tom položaju.
 - Tijekom obuke za korištenje ove opreme, obvezna je uporaba sekundarnog sustava za zaštitu od pada na način da vježbenik ne bude izložen nepredviđenim opasnostima od pada.
 - Uvijek nosite odgovarajuću osobnu zaštitnu opremu prilikom postavljanja, korištenja ili inspekcije uređaja/sustava.

Prije korištenja ove opreme, zabilježite identifikacijske podatke proizvoda s identifikacijske naljepnice u "Dnevniku inspekcije i održavanja" na stražnjoj strani ovog priručnika.

OPIS:

Slika 2 identificira ključne komponente samouvlačivih uređaja (SRD) 3M™ DBI-SALA® Nano-Lok. SRD uređaji Nano-Lok su platnene trake za spašavanje (A) namotane na koloturnike s linijskim apsorberom energije (B) koji se uvlači u najlonsko kućište (C). Okretna ušica (D) na vrhu kućišta omogućuje pričvršćivanje na valjanu sidrišnu točku pomoću karabinera (E) ili montažu na uprtač za cijelo tijelo pomoću sučelja za uprtač (F). Slika 1 identificira dostupne Nano-Lok modele i njihove konfiguracije spojnice. Pogledajte Tablicu 1 za specifikacije SRD uređaja Nano-Lok i spojnice.

Tablica 1 – Specifikacije

Specifikacije komponentata:

SRL kućišta	Najlon
Koloturnik	Najlon
Unutarnji dijelovi	Nehrđajući čelik, aluminij
Platnena traka za spašavanje	Dyneema poliester
Apsorber energije	Omotač: Nitrilna guma, Platnena traka: Poliester, šavovi: Nit od poliestera ili najlona
Okretna ušica	Pocinčani čelik

Specifikacije spojnice:

	Opis	Materijal	Otvaranje zatvarača	Čvrstoća zatvarača	Vlačna čvrstoća
①	Okretna ušica	Čelik	22,35 mm (0,88 in) unutarnji promjer	X	22,2 kN (5000 funti)
②	Karabiner	Aluminij	19 mm (3/4 in)	16 kN (3600 funti)	22,2 kN (5000 funti)
③	Karabiner	Čelik	19 mm (3/4 in)	16 kN (3600 funti)	22,2 kN (5000 funti)
④	Jednstruko SRD sučelje	Čelik	51 mm (2 in)	16 kN (3600 funti)	22,2 kN (5000 funti)
⑤	Dvostruko SRD sučelje	Čelično s najlonskim umetkom	19 mm (3/4 in)	16 kN (3,600 funti)	22,2 kN (5000 funti)
⑥	Karabiner	Aluminij, čelik	56 mm (2.19 in)	16 kN (3600 funti)	22,2 kN (5000 funti)
⑦	Karabiner	Aluminij	19 mm (3/4 in)	16 kN (3600 funti)	22,2 kN (5000 funti)
⑧	Rebar kvačica	Aluminij	57 mm (2-1/4 in)	16 kN (3600 funti)	22,2 kN (5000 funti)
⑨	Rebar kvačica	Aluminij	63 mm (2-1/2 in)	16 kN (3600 funti)	22,2 kN (5000 funti)
⑩	Karabiner	Aluminij	52 mm (2 in)	16 kN (3600 funti)	22,2 kN (5000 funti)
⑪	Rebar kvačica	Aluminij, čelik	63 mm (2-1/2 in)	16 kN (3600 funti)	22,2 kN (5000 funti)
⑫	Karabiner	Čelik	19 mm (3/4 in)	16 kN (3600 funti)	22,2 kN (5000 funti)
⑬	Rebar kvačica	Aluminij	57 mm (2-1/4 in)	16 kN (3600 funti)	22,2 kN (5000 funti)
⑭	Kvačica	Čelik	19 mm (3/4 in)	16 kN (3600 funti)	22,2 kN (5000 funti)

Specifikacije učinka:

Specifikacije SRL uređaja (u vertikalnom pravcu)	CE modeli	
	59 - 100 kg (130 - 220 funta)	100 - 140 kg (220 - 310 funta)
Raspon nosivosti	59 - 100 kg (130 - 220 funta)	100 - 140 kg (220 - 310 funta)
Maksimalna sila zaustavljanja pada	6 kN (1350 funti)	6 kN (1350 funti)
Prosječna sila zaustavljanja pada	4 kN (900 funti)	4 kN (900 funti)
Zahtijevana maksimalna udaljenost zaustavljanja¹	0,61 m (24 in)	0,61 m (24 in)
Potreban minimalni slobodni prostor kod pada¹	1,5 m (5 stopa)	1,8 m (5,8 stopa)
Maksimalni slobodni pad²	1,5 m (5 stopa)	1,5 m (5 stopa)

¹ - Pretpostavlja se da je SRL uređaj usidren neposredno iznad krajnjeg korisnika (iznad glave korisnika).

² - Mjeri se od korisničkog D-prstena do površine za kretanje/rad. Pojednosti potražite u tablic(ama) za potreban slobodni prostor kod pada.

1.0 PRIMJENE

- 1.1 NAMJENA:** Samouvlačivi uređaji (SRD) su izrađeni kao komponenta osobnog sustava za zaustavljanje pada (eng. personal fall arrest system - PFAS). Slika 1 prikazuje SRD uređaje pokrivene ovim priručnikom. Mogu se koristiti u većini situacija koje zahtijevaju kombinaciju pokretljivosti djelatnika i zaštitu od pada (tj. inspekcijski radovi, opći građevinski radovi, radovi na održavanju, proizvodnja nafte, rad u skućenom prostoru itd.).
- 1.2 STANDARDI:** Vaš je SRD uređaj u skladu s nacionalnim ili regionalnim standardom (standardima) identificiranim na prednjoj korici ovih uputa. Za dodatne informacije o osobnoj zaštiti od pada pogledajte lokalne, državne i federalne (OSHA) odredbe koje se odnose na sigurnost na radu.
- 1.3 OBUKA:** Ovu opremu moraju instalirati i upotrebljavati osobe obučene za njezinu ispravnu primjenu i uporabu. Korisnik snosi odgovornost za upoznavanje s ovim uputama i obuku za pravilno održavanje i korištenje ove opreme. Korisnici također moraju poznavati radne osobine, ograničenja primjene i posljedice nepropisne uporabe.
- 1.4 OGRANIČENJA:** Prije ugradnje ili uporabe ove opreme uvijek vodite računa o sljedećim ograničenjima primjene:

- **Kapacitet:** SRD uređaji su namijenjeni za uporabu jedne osobe s kombiniranom težinom (odjeća, alat, itd.), unutar *raspona težine* navedenog u Tablici 1. Uvjerite se da su sve komponente vašeg sustava stupnjevane do kapaciteta koji odgovara vašoj primjeni.
- **Sidrište:** Konstrukcija sidrišta za SRD uređaj mora biti sposobna podržavati opterećenja do 12 kN (1223 kg (2697 funti)). Uređaji za sidrenje moraju biti u skladu s EN795 i drugim standardima za sidrišne spojnice.
- **Brzina zaključavanja:** Potrebno je izbjegavati situacije u kojima nije moguć neometani slobodni pad. Rad u skućenim ili zakrčenim prostorima ili na kosinama, možda neće omogućiti dostizanje brzine tijela dovoljne za zaključavanje SRD uređaja u slučaju pada. Rad na sipkom materijalu, poput pijeska ili žita, možda neće omogućiti postizanje brzine dovoljne za zaključavanje SRD uređaja. Za osiguravanje sigurnog zaključavanja SRD uređaja potrebna je slobodna putanja.
- **Slobodan pad:** Prilikom sidrenja iznad glave, SRD uređaji ograničavaju duljinu slobodnog pada na 0,6 m (2 stope)¹. Da biste izbjegli povećanje duljine pada, usidrite SRD uređaj izravno iznad razine na kojoj se odvija rad. Nikada nemojte pričvršćivati SRD uređaj za sidrišnu točku za koju duljina slobodnog pada iznosi preko 1,5 m (5 stopa). Izbjegavajte rad na mjestima gdje bi se vaše uže za spašavanje moglo ukrižiti ili splesti s užetom drugog djelatnika. Izbjegavajte rad na mjestima gdje bi neki predmet mogao pasti i udariti u uže za spašavanje, što bi rezultiralo gubitkom ravnoteže ili oštećenjem užeta. Ne dopustite da uže za spašavanje tijekom uporabe prolazi ispod ruku ili između nogu. Nikada nemojte stezati, vezivati ili sprječavati uže da se uvlači ili bude zategnuto. Izbjegavajte labavost užeta. **Nemojte produžavati SRD uređaje spajanjem sigurnosnog užeta ili sličnih komponenti bez prethodnog savjetovanja s tvrtkom 3M.**
- **Padovi s klaćenjem:** Pad s klaćenjem događa se kada točka sidrišta nije točno iznad točke pada. Sila udara o predmet kod pada s klaćenjem može uzrokovati tešku ozljedu (vidjeti Sliku 3A). - Minimizirajte padove s klaćenjem tako što ćete radove obavljati izravno ispod točke sidrišta ili što bliže tom položaju (vidjeti Sliku 3B). Rad na većoj udaljenosti od sidrišne točke (Slika 3C) povećat će udar pri padu s klaćenjem i povećat će traženi slobodni prostor za zaustavljanje pada. (FC).
- **Slobodan prostor za pad:** Slika 3B prikazuje izračunavanje prostora za pad. Prostor za pad (FC) je zbroj slobodnog pada (FF), razdaljine usporjenja (DD) i stupnja sigurnosti (SF): $FC = FF + DD + SF$ Klizanje D-prstena i rastezanje uprtača uključeni su u stupanj sigurnosti. Vrijednosti prostora za pad izračunate su i grafički prikazane na Slici 4. Stupanj sigurnosti od 1 m (3,28 stopa), korišten je za sve vrijednosti na Slici 4.

Slika 4 prikazuje prostor za pad (FC) koji se temelji na horizontalnom (H) i vertikalnom (V) odstojanju između ledne SRD spojnice i sidrišne točke. Svaka od horizontalnih linija mreže na grafikonu (grafikonima) predstavlja vertikalno rastojanje od sidrišne točke. Svaka od vertikalnih linija mreže predstavlja horizontalno rastojanje od sidrišne točke. Vrijednost prostora za pad (FC) određena je područjem (parabolične linije) u kojoj se presijecaju horizontalne (H) i vertikalne (V) linije mreže. Primjer na Slici 4 pokazuje na koji način treba odrediti zahtijevani prostor za pad (FC), za navedene vertikalna (V) i horizontalna (H) rastojanja.

Promjenjive sidrišne točke: Prostori za pad na Slici 4, temelje se na krutoj, stacionarnoj sidrišnoj točki. Ako se kao sidrište koristi horizontalno uže za spašavanje (HLL) ili sidrišna točka koja se može pomicati, klizati ili deformirati tijekom pada, vrijednosti prostora za pad dane na Slici 4 nisu primjenjive. Pogledajte upute za HLL ili sidrište za dodatne pojedinosti o neophodnim prostorima za pad, otklonima i/ili deformacijama.

Klečeći ili čučajući stav: Grafikoni rastojanja na Slici 4 pretpostavljaju da je djelatnik u stojećem položaju. Ako će djelatnik klečati ili čučati, zahtijeva se dodatnih 0,9 m (3 stope) prostora za pad.

Nikada se nemojte sidriti ispod razine svojih stopala: Nikada se ne spajajte na sidrišnu točku ispod razine vaših stopala.

- **Opasnosti:** Primjena ove opreme u područjima ekološke opasnosti može zahtijevati dodatne mjere predostrožnosti za sprječavanje ozljeda korisnika ili oštećenja opreme. Opasnosti mogu uključiti, ali nisu ograničene na: visoku temperaturu, jetke kemikalije, korozivna okruženja, visokonaponske strujne vodove, eksplozivne i toksične plinove, pokretne strojeve, ili materijale iznad zemlje koji mogu pasti i doći u kontakt s korisnikom ili osobnim sustavom za zaustavljanje pada. Izbjegavajte rad na mjestima gdje bi se vaše uže moglo ukrižiti ili splesti s užetom za spašavanje drugog djelatnika. Izbjegavajte rad na mjestima gdje može doći do pada predmeta i udaranja o uže za spašavanje, opasnosti od gubitka ravnoteže ili oštećenja užeta. Nemojte dopustiti da uže za spašavanje tijekom uporabe prolazi ispod ruku ili između nogu.
- **Oštri bridovi:** Oštri bridovi s kojima SRD sigurnosno uže može doći u kontakt tijekom pada, moraju imati minimalni polumjer zaobljenja od 0,3 cm (0,125 in). Kada nije moguće izbjeći kontakt s oštrim bridovima, pokrijte brid zaštitnim materijalom.

¹ **Slobodni pad:** Pravila primjena SRD uređaja, uz rad korisnika izravno ispod točke sidrenja i bez labavosti užeta, onemogućuje slobodni pad. Vidjeti Sliku 4 za prihvatljive lokacije sidrišta.

2.0 Korištenje sustava

- 2.1 PLAN ZAŠTITE OD PADA I SPAŠAVANJA:** Poslodavac mora imati plan za zaštitu od pada i spašavanje. Plan treba sadržavati smjernice i zahtjeve za zaštitu od pada koji određuje poslodavac, uključujući politike, obveze i obuku; postupke za zaštitu od pada; uklanjanje i kontrolu opasnosti od pada; postupke spašavanja; istrage nezgoda i procjenu djelotvornosti programa.
- 2.2 UČESTALOST INSPEKCIJA:** Prije svake uporabe, SRD uređaje treba pregledati ovlaštena osoba¹ ili spasilac² (pogledajte Tablicu 3). Osim toga, inspekcije će vršiti stručna osoba³ koja nije korisnik. Ekstremni uvjeti rada (nepovoljna okruženja, dulja primjena itd.), mogu iziskivati povećanje učestalost inspekcija stručne osobe. Stručna osoba utvrđuje odgovarajuće intervale inspekcije koristeći *Raspored kontrola (Tablica 2)*. Postupci inspekcije opisani su u *Dnevniku inspekcije i održavanja (Tablica 3)*. Nalaze svake inspekcije stručne osobe treba zabilježiti u primjercima *Dnevnika inspekcija i održavanja* ili pratiti pomoću radiofrekvencijske identifikacije (eng. Radio Frequency Identification - RFID) (pogledajte *Odjeljak 5*).
- 2.3 NORMALNE RADNE AKTIVNOSTI:** Pri normalnim radnim aktivnostima uže za spašavanje se izdužuje i uvlači bez zastajkivanja ili labavosti, kako se djelatnik pomiče normalnom brzinom. Ako dođe do pada, aktivira se sustav kočnja s osjetnicima za brzinu koji zaustavlja pad i apsorbira veći dio nastale energije. Prilikom normalnih radnih operacija treba izbjegavati iznenadne ili brze pokrete koji mogu dovesti do zaključavanja SRD uređaja. Za padove koji se dogode blizu završetka hoda užeta za spašavanje, uključen je i pričuvni sustav za spašavanje ili apsorber energije radi ublažavanja intenziteta sila zaustavljanja pada.
- 2.4 POTPORA ZA TIJELO:** Sa samouvlačivim uređajem mora se koristiti uprtač za cijelo tijelo. Spojna točka uprtača mora se nalaziti iznad težišta korisnika. Nije dopuštena uporaba pojasa za tijelo sa samouvlačivim uređajem. Ako tijekom uporabe pojasa za tijelo dođe do pada, on može uzrokovati nenamjerno odvajanje ili tjelesnu traumu uslijed nepropisne potpore za tijelo.
- 2.5 USKLAĐENOST KOMPONENATA:** Ako nije drukčije navedeno, oprema tvrtke 3M namijenjena je uporabi isključivo s odobrenim komponentama i podsustavima tvrtke 3M. Nadomještanje ili zamjene opreme koje se vrše s neodobrenim komponentama mogu ugroziti usklađenost opreme i imati negativan učinak na sigurnost i pouzdanost cijelog sustava.
- 2.6 USKLAĐENOST SPOJEVA:** Spojnice se smatraju usklađenim sa spojnim elementima kojima su namijenjene kada svojom veličinom i oblikom ne uzrokuju nehotično otvaranje mehanizama zaključavanja, neovisno o orijentaciji. Za sva pitanja vezana uz usklađenost, obratite se tvrtki 3M. Nalaze svake inspekcije stručne osobe treba zabilježiti u primjercima *Dnevnika inspekcija i održavanja* ili pratiti pomoću radiofrekvencijske identifikacije (eng. Radio Frequency Identification - RFID) (pogledajte *Odjeljak 5*). Spojnice moraju biti usklađene sa sidrištem i drugim komponentama sustava. Nemojte koristiti opremu koja nije usklađena. Nesukladne spojnice mogu se nenamjerno otvoriti (Vidjeti Sliku 5). Spojnice moraju biti usklađene veličinom, oblikom i čvrstoćom. Potrebne su samozatvarajuće kvačice i karabineri. Ako je spojni element na koji naliže kvačica ili karabiner premali ili nepravilnog oblika, može se dogoditi da spojni element primjenjuje silu na zatvarač kvačice ili karabinera (A). Ta sila može uzrokovati otvaranje zatvarača (B), pa se kvačica ili karabiner mogu odvojiti od spoja (C).
- 2.7 SPAJANJE:** Uz ovu opremu moraju se koristiti samo samozatvarajuće kvačice i karabineri. Osigurajte usklađenost svih spojeva po veličini, obliku i čvrstoći. Nemojte koristiti opremu koja nije usklađena. Uvjerite se da su sve spojnice u potpunosti zatvorene i zaključane. Spojnice tvrtke 3M (kvačice i karabineri) namijenjene su za primjenu isključivo u skladu s navodima proizvođača predmetnog proizvoda. Vidjeti Sliku 6 za primjere neispravnih spojeva.

Kvačice i karabineri ne smiju se spajati:

- Na D-prsten za koji je spojen drugi spoj.
- Na način koji bi uzrokovao preopterećenje zatvarača. Kvačice velikog otvora ne smiju se spajati na D-prstenje standardne veličine ili slične predmete koji uzrokuju opterećenje na zatvarač ako se kvačica ili D-prsten uvrće ili rotira, osim ako je kvačica opremljena zatvaračem od 16 kN (1633 kg (3600 lb)).
- Kod lažne aktivacije, kada veličina ili oblik pripadajućih spojnika nisu usklađeni i kada spojnice djeluju u potpunosti aktivirane bez vizualne potvrde.
- Jedno za drugo.
- Izravno na tkaninu ili uže ili uzvratno uže (osim ako prema uputama proizvođača za uže i spojnicu, izričito nije dopušten takav spoj).
- Na bilo koji predmet čiji oblik ili dimenzije onemogućuju zatvaranje i blokadu kvačice ili karabinera, ili može doći do odvrtanja.
- Na način koji ne dopušta pravilno nalijeganje spojnice pod opterećenjem.

Tablica 2 – Raspored inspekcija

Tip korištenja	Primjeri primjene	Uvjeti korištenja	Učestalost inspekcija
			Stručna osoba
Rijetko do lagano	Spašavanje i skućeni prostori, održavanje tvornice	Dobri uvjeti skladištenja, uporaba u zatvorenom prostoru ili rijetko korištenje na otvorenom, sobna temperatura, čista okruženja	Godišnje
Umjereno do teško	Prijevoz, stanogradnja, javne službe, skladišta	Zadovoljavajući uvjeti skladištenja, uporaba u zatvorenom prostoru ili duža uporaba na otvorenom, sve temperature, čista ili prašnjava okruženja	Polugodišnje do godišnje
Intenzivno do kontinuirano	Komercijalna gradnja, industrija nafte i plina, rudarstvo	Nepovoljni uvjeti skladištenja, produžena ili stalna uporaba u vanjskim uvjetima, sve temperature, zaprljano okruženje	Tromjesečno do polugodišnje

¹ **Ovlaštena osoba:** Osoba koju poslodavac angažira za obavljanje dužnosti na mjestu gdje će se osoba izložiti opasnosti od pada.

² **Spasilac:** Osoba ili osobe koje nisu spašenik, u svojstvu pomoći pri spašavanju postupcima sustava za spašavanje.

³ **Stručna osoba:** Osoba koju je poslodavac odredio kao zaduženu za neposredan nadzor, provedbu i nadzor programa zaštite od pada koji je odredio poslodavac i koja je, zahvaljujući obuci i znanju, sposobna identificirati, procijeniti i riješiti postojeće i potencijalne opasnosti od pada i ima dopuštenje poslodavca da poduzme hitne korektivne postupke vezano uz te opasnosti.

3.0 Montiranje

- 3.1 PLANIRANJE:** Prije početka rada planirajte svoj sustav zaštite od pada. Uključite sve čimbenike koji bi mogli utjecati na vašu sigurnost prije, tijekom i nakon pada. Razmotrite sve zahtjeve i ograničenja definirana u Odjeljku 1.

U većini primjena, SRD uređaj Nano-Lok može se spojiti na sidrište ili na ledni prsten uprtača. Objе orijentacije su dopuštene; osim kao što je navedeno u odjeljku 4.

- 3.2 SIDRIŠTE:** Slika 7 prikazuje tipične načine povezivanja SRD uređaja na sidrište. Odaberite mjesto sidrišta s minimalnom opasnošću od slobodnog pada i pada s klaćenjem (vidi Odjeljak 1). Izaberite čvrstu točku sidrišta, sposobnu podržati statička opterećenja navedena u Odjeljku 1. Tamo gdje nije moguće sidrenje iznad glave, Nano-Lok SRD-ovi mogu biti pričvršćeni na sidrište ispod razine korisničkog lednog D-prstena. Za korisnike do 140 kg (310 funti), mjesto sidrenja ne smije biti više od 1,5 m (5 stopa) ispod lednog D-prstena.

- 3.3 MONTAŽA NA UPRTAČ:** Neki modeli SRD-a uključuju jednostruko ili dvostruko SRD sučelje za uprtač namijenjeno za montažu SRD-a na uprtač za cijelo tijelo neposredno ispod lednog D-prstena:

Neki su uprtači za cijelo tijelo opremljeni s vlastitom vezom za SRD (PSRL veza) koja objedinjuje ledni D-prsten i komponente za spajanje samouvlačivih uređaja koji se montiraju na uprtač (slika 8). Također je prihvatljivo spojiti SRD uređaj na ledni D-prsten uprtača pomoću karabinera ili kvačice.

- **Montiranje jednog SRD uređaja na uprtač:** Ako je mobilnost radnika od ključne važnosti, SRD sučelje za uprtač može se koristiti za montažu SRD-a na stražnji dio uprtača za cijelo tijelo, neposredno ispod lednog D-prstena (vidi sliku 9). Radnik se tada može povezivati na različite točke sidrenja, smještene diljem radne lokacije koristeći kraj SRD-a s platnom trakom, bez ponovnog instaliranja SRD-a. Za montažu SRD-a na uprtač za cijelo tijelo pomoću SRD sučelja za uprtač:
 1. **Olabavite platnene trake uprtača:** Izvucite trake (A) tamo gdje prolaze kroz donji dio lednog D-prstena (B) dok ne dobijete dovoljno mjesta za pomicanje sučelja za uprtač SRD uređaja između traka i podloške D-prstena.
 2. **Otvorite sučelje za uprtač:** Istovremeno gurnite prema dolje gumbe za zaključavanje (C) i izvucite klin za zatvaranje (D).
 3. **Postavite SRD na sučelje za uprtač:** Umetnite sučelje sa klinom za zatvaranje u otvorenom položaju kroz okretnu ušicu na SRD-u (E). Provucite sučelje kroz okretnu ušicu tako da SRD visi sa stražnje strane sučelja za uprtač (F).
 4. **Postavite sučelje za uprtač oko platnenih traka:** Postavite otvoreno sučelje za uprtač oko olabavljenih platnenih traka (A).
 5. **Zatvorite sučelje za uprtač:** Gurnite klin za zatvaranje sučelja za uprtač (D) kroz olabavljene trake (A) dok se ne zabravi na suprotnom kraju. Zategnite platnene trake natrag kroz ledni D-prsten i podlošku na leđima kako biste pričvrstili sučelje za uprtač.

Crveni prsten na klinu za zatvaranje, na kraju sa glavom, vidljiv je ako sučelje za uprtač nije zaključano. Kako biste izbjegli slučajno otpuštanje priključka, uvijek provjerite je li sučelje za uprtač zaključano prije uporabe uprtača i priključenog SRD-a. Nepostupanje u skladu s uputama moglo bi rezultirati ozljedom ili smrću.

- **Montiranje dva SRD uređaja na uprtač:** Kod primjene za penjanje gdje je potrebno 100% vezanje, sučelje SRD-a za uprtač može se koristiti za montažu dva SRD-a, jedan uz drugi, na stražnjem dijelu uprtača za cijelo tijelo odmah ispod lednog D-prstena (vidi sliku 9). Za montiranje dva SRD-a na uprtač za cijelo tijelo pomoću sučelja za uprtač SRD uređaja:
 1. **Olabavite platnene trake uprtača:** Izvucite trake (A) tamo gdje prolaze kroz donji dio lednog D-prstena (B) dok ne dobijete dovoljno mjesta za pomicanje sučelja za uprtač SRD uređaja između traka i podloške D-prstena.
 2. **Otvorite sučelje za uprtač:** Istovremeno gurnite prema dolje gumbe za zaključavanje (C) i izvucite klin za zatvaranje (D).
 3. **Postavite SRD uređaje na sučelje za uprtač:** Umetnite sučelje sa klinom za zatvaranje u otvorenom položaju kroz okretnu ušicu SRD uređaja (E). Provucite sučelje kroz okretnu ušicu tako da SRD uređaji vise sa stražnje strane sučelja za uprtač (F).
 4. **Postavite sučelje za uprtač oko platnenih traka:** Postavite otvoreno sučelje za uprtač oko olabavljenih platnenih traka (A).
 5. **Zatvorite sučelje za uprtač:** Gurnite klin za zatvaranje sučelja za uprtač (D) kroz olabavljene trake (A) dok se ne zabravi na suprotnom kraju. Zategnite platnene trake natrag kroz ledni D-prsten i podlošku na leđima kako biste pričvrstili sučelje za uprtač.

Crveni prsten na klinu za zatvaranje, na kraju sa glavom, vidljiv je ako sučelje za uprtač nije zaključano. Kako biste izbjegli slučajno otpuštanje priključka, uvijek provjerite je li sučelje za uprtač zaključano prije uporabe uprtača i priključenog SRD-a. Nepostupanje u skladu s uputama moglo bi rezultirati ozljedom ili smrću.

- **Montiranje dva SRD uređaja na uprtač s fiksnim D-prstenom:** Stariji ExoFit uprtači za cijelo tijelo s fiksnim D-prstenom zahtijevaju posebno SRD sučelje za uprtač u svrhu montiranja dva SRD uređaja sa stražnje strane uprtača, odmah ispod leđnog D-prstena. Za montažu dva SRD uređaja na ExoFit uprtač za cijelo tijelo pomoću sučelja za uprtač s fiksnim D-prstenom SRD uređaja (Slika 10):
 1. **Olabavite platnene trake uprtača:** Izvucite trake (A) tamo gdje prolaze kroz donji dio leđnog D-prstena (B) dok ne dobijete dovoljno mjesta za umetanje sučelja za uprtač SRD uređaja između traka i leđnog podloška.
 2. **Otvorite sučelje za uprtač:** Kada je sučelje za uprtač SRD uređaja orijentirano kao što je prikazano, gurnite rukavac za zaključavanje (C) udesno i okrenite ga u smjeru kazaljke na satu da biste otključali zatvarač (D). Zarotirajte zatvarač (D) prema dolje kako biste otvorili sučelje.
 3. **Navucite prvi SRD uređaj na sučelje za uprtač:** Umetnite vrh spojnice (E) kroz okretnu ušicu (F) SRD uređaja, zatim kružno vucite SRD uređaj prema kraju spojnice sa zatvaračem (G). Zatvarač se može zatvoriti kako bi se osigurao prostor za okretnu ušicu između zatvarača i stražnjeg dijela spojnice.
 4. **Postavite sučelje za uprtač oko platnenih traka:** Umetnite vrh spojnice (E) iza traka (A). Okrećite spojnicu iza traka sve dok ne zaokruži sve trake.
 5. **Dodajte drugi SRD na sučelje za uprtač:** Gurnite okretnu ušicu SRD-a (F) preko vrha spojnice (E) i povucite okretnu ušicu SRD-a prema kraju spojnice sa slobodnim vrhom.
 6. **Zatvorite sučelje za uprtač:** Pustite zatvarač (D) da se zatvori, a rukavac za zaključavanje (C) da se vrati u zaključani položaj. Kada je sučelje za uprtač zatvoreno, zategnite trake (A) natrag kroz leđni D-prsten i podložak D-prstena kako biste spriječili labavost trake i pričvrstili spojnicu između platnenih traka i leđnog podloška.
- **3M® DBI-SALA® dvostruki karbiner:** 3M® DBI-SALA® dvostruki karbiner je namijenjen za montažu dva SRD uređaja Nano-Lok, jedan uz drugi, na stražnjem dijelu uprtača za cijelo tijelo odmah ispod leđnog D-prstena (vidi Sliku 12). Za montažu dva SRD uređaja Nano-Lok na uprtač za cijelo tijelo s dvostrukim karabinerom:
 1. **Olabavite platnene trake uprtača:** Izvucite trake (A) tamo gdje prolaze kroz donji dio leđnog D-prstena (B) dok ne dobijete dovoljno mjesta za pomicanje sučelja za uprtač dvokrakog sučelja između traka i leđnog podloška.
 2. **Otvorite dvostruki karabiner:** Gurnite umetak spojnice (C) prema gore kako biste odvojili kopče (D) od spojnice, zatim okrenite spojnicu prema gore da biste otključali zatvarač. Pritisnite zatvarač (E) prema unutra da biste otvorili spojnicu.
 3. **Navucite prvi SRD uređaj Nano-Lok na dupli karabiner:** Umetnite vrh spojnice (F) kroz okretnu ušicu (G) SRL uređaja, zatim kružno vucite SRL uređaj prema kraju spojnice sa zatvaračem (H). Zatvarač se može okrenuti prema slobodnom vrhu kako bi se osigurao prostor za okretnu ušicu između zatvarača i stražnjeg dijela spojnice.
 4. **Postavite dvostruki karbiner oko platnenih traka:** Dok je zatvarač okrenut prema gore, umetnite vrh spojnice (F) iza traka (A). Okrećite spojnicu iza traka sve dok ne zaokruži sve trake.
 5. **Dodajte drugi SRD uređaj Nano-Lok na dvostruki karabiner:** Gurnite okretnu ušicu SRL uređaja (G) preko vrha spojnice (F) i povucite okretnu ušicu SRL uređaja prema kraju spojnice sa slobodnim vrhom (F). Okrenite zatvarač (E) u zatvoreni položaj.
 6. **Zatvorite dvostruki karabiner:** Okrenite umetak spojnice (C) prema naprijed tako da se kopče (D) pričvrste na spojnicu. Kada je zatvaranje pravilno izvedeno, platnene trake moraju prolaziti kroz utor za trake (J) na gornjem dijelu umetka spojnice, a okretnu ušicu SRL uređaja moraju biti pričvršćene u otvorima (K) na obje strane umetka spojnice. Kada je sučelje za uprtač zatvoreno, zategnite trake (A) natrag kroz leđni D-prsten i podložak D-prstena kako biste spriječili labavost trake i pričvrstili spojnicu između platnenih traka i podloška D-prstena.
- **3M® DBI-SALA® dvostruki karabiner s klinom:** Ova spojnica za uprtač omogućuje montažu jednog ili dva SRL uređaja Nano-Lok i koristi se kod penjanja (vidi sliku 11) kada se zahtijeva 100% vezanje:
 1. **Olabavite platnene trake uprtača:** Izvucite trake (A) tamo gdje prolaze kroz donji dio leđnog D-prstena (B) dok ne dobijete dovoljno mjesta za pomicanje sučelja za uprtač dvokrakog sučelja između traka i leđnog podloška.
 2. **Za jednostruku konfiguraciju:** Postavite okretnu ušicu jednog SRL uređaja u središnji otvoreni utor.
 3. **Za dvostruku konfiguraciju:** Ušicu jednog SRL uređaja postavite u otvoreni utor najbliži klinu, a ušicu drugog SRL uređaja u otvoreni utor najudaljeniji od klina.
 4. Gurajte klin natrag na njegovo mjesto dok ne čujete klik. Klin treba biti čvrsto zaključan na mjestu.
 5. Istodobno pritisnite dva gumba na strani spojnice sa uprtačem dok izvlačite klin. Izvlačenjem klina stvarate otvoreni prostor.
 6. Malo olabavite platnenu traku i izvucite labavi dio ispod leđnog D-prstena na svom pojasu. Postavite stranu spojnice sa uprtačem ispod D-prstena.
 7. Gurnite sigurnosni klin natrag na mjesto, pazeci da ostane ispod oba sloja traka uprtača, sve dok ne čujete klik. Klin treba biti čvrsto zaključan na mjestu.

4.0 UPOTREBA

Početcnici i povremeni korisnici samouvlačivih uređaja (SRD uređaja) prije upotrebe trebaju konzultirati „Sigurnosne informacije“ dane na početku ovog priručnika.

- 4.1 PRIJE SVAKE UPOTREBE:** Prije svake upotrebe ove opreme za zaštitu od pada, pažljivo je pregledajte kako bi se uvjerali da je u dobrom radnom stanju. Provjerite ima li istrošenih ili oštećenih dijelova. Provjerite jesu li svi vijci na mjestu i pričvršćeni. Provjerite da li se sigurnosna traka ispravno uvlači tako da je povučete i pustite da se polagano uvuče. U slučaju bilo kakvog zastajkivanja ili smetnji pri povlačenju, uređaj se treba ukloniti iz upotrebe i uništiti. Pregledajte je li sigurnosnu traku na isječena, iskrzana, spaljena, zdrobljena ili pokazuje znake korozije. Provjerite djelovanje blokade tako što ćete oštro povučete traku. Pogledajte Dnevnik inspekcije i održavanja (tablica 3) za detalje pregleda. Ne upotrebljavajte opremu ako inspekcijom utvrdite nesigurno stanje.

- 4.2 NAKON PADA:** Sva oprema izložena silama blokade pada ili koja pokazuju oštećenja konzistentna s učincima sila blokade pada opisanim u Tablici 3, moraju se odmah izbaciti iz upotrebe i uništiti.
- 4.3 POTPORA ZA TIJELO:** Prilikom korištenja SRD uređaja mora se nositi uprtač za cijelo tijelo. Za opću uporabu za zaštitu od pada, spojite na stražnji (dorsalni) D-prsten.
- 4.4 SPAJANJE:** Na slici 5 prikazani su spojevi na uprtače i sidrišta za sustave SRD za sprječavanje pada. Kada koristite kvačicu za spajanje, svakako provjerite da ne postoji mogućnost otvaranja (vidi sliku 5). Ne koristite kvačice niti spojnice koje se ne mogu do kraja zatvoriti oko objekta na koji se spaja. Ne koristite kvačice koje ne podržavaju automatsko zatvaranje. Sidrište mora zadovoljavati zahtjeve za čvrstoću sidrišta navedene u tablici 2. Slijedite upute proizvođača isporučene sa svakom komponentom sustava.
- 4.5 UPOTREBA:** Prije upotrebe, pregledajte SRD uređaj kako je opisano u tablici 3. Slika 2 prikazuje spojeve sustava za uobičajene primjene za SRD uređaja. Spojite SRD uređaj na prikladno sidrište ili montirajte SRD na stražnju stranu uprtača za cijelo tijelo prema uputama iz Odjeljka 3. Na SRD uređajima spojenim na sidrište, spojite kvačicu (D) ili karabiner na indikator opterećenja na leđni D-prstenom (A) uprtača za cijelo tijelo. Na SRD uređajima montiranim na uprtač, spojite kvačicu (D) ili karabiner na prikladno sidrište. Osigurajte usklađenost spojeva po veličini, obliku i čvrstoći. Uvjerite se da su kvačice u potpunosti zatvorene i zaključane. Nakon povezivanja, radnik se može kretati unutar preporučenog radnog područja normalnom brzinom. Ako dođe do pada, SRD uređaj će se zaključati i zaustaviti pad. Nakon spašavanja, uklonite SRD uređaj iz upotrebe. Prilikom rada sa SRD uređajima, uvijek pustite da se sigurnosna traka kontrolirano vrati natrag u uređaj.
- 4.6 DVOSTRUKI SRD UREĐAJI, 100% VEZANJE:** Kada se dva SRD-a montiraju jedan pored drugog na stražnjem dijelu uprtača za cijelo tijelo, SRD sustav za zaustavljanje pada može se koristiti za kontinuiranu zaštitu od pada (100% vezanje) prilikom penjanja, silaženja ili bočnog kretanja (vidi sliku 15). Kada je kraj s trakom učvršćen za sidrište, djelatnik se može pomicati na novo mjesto, spojiti nekorišteni kraj s trakom drugog SRD uređaja na novo sidrište, a zatim se odspojiti od početnog sidrišta. Slijed se ponavlja dok djelatnik ne stigne na željeno mjesto. Upozorenja za korištenje dva SRD uređaja u primjenama sa 100%-tnim vezanjem su, između ostalog:
- Nikad nemojte spajati trake oba SRD uređaja na isto sidrište (vidi Sliku 16A).
 - Spajanje više od jedne spojnice na isto sidrište (prstenasto ili ušica), može ugroziti usklađenost spoja zbog interakcije između spojeva, te se ne preporuča.
 - Spajanje svakog SRD uređaja na zasebnu točku sidrišta je prihvatljivo (Slika 16B).
 - Svako mjesto povezivanja mora neovisno podržavati 10 kN (2248 funti) ili biti posebno projektirani sustav, kao što je to slučaj s horizontalnim užetom za spašavanje.
 - Nikad nemojte istovremeno spajati više od jedne osobe na sustav sa dva SRD uređaja (Slika 16C).
 - Nemojte dopustiti da se trake spletu ili međusobno omotaju, jer to može spriječiti njihovo uvlačenje.
 - Nemojte dopustiti da traka tijekom uporabe prolazi ispod ruku ili između nogu.
- 4.7 MONTIRANJE DVA SRD UREĐAJA NA LEĐNI D-PRSTEN:** Modeli s karabinerima s trostrukim djelovanjem mogu se montirati na leđni D-prsten u dvostrukoj konfiguraciji. Za montiranje dva SRD-a na leđni D-prsten uprtača (slika 13):
1. **Otvorite karabiner trostrukog djelovanja:** s karabinerom s trostrukim djelovanjem orijentiranim kao što je prikazano, gurnite rukavac za zaključavanje (C) udesno, a zatim okrenite u smjeru kazaljke na satu da biste otključali zatvarač (D). Okrenite zatvarač (D) prema dolje kako biste ga otvorili.
 2. **Navucite prvi SRD na karabiner s trostrukim djelovanjem:** umetnite vrh spojnice (E) kroz okretnu ušicu (F) SRD uređaja, zatim kružno vucite SRD uređaj prema kraju spojnice sa zatvaračem (G). Zatvarač se može zatvoriti kako bi se osigurao prostor za okretnu ušicu između zatvarača i stražnjeg dijela spojnice.
 3. **Dodajte drugi SRD uređaj na karabiner s trostrukim djelovanjem:** Gurnite okretnu ušicu SRD uređaja (F) preko vrha spojnice (E).
 4. **Provucite karabiner s trostrukim djelovanjem kroz D-prsten:** Umetnite slobodni vrh spojnice (E) kroz leđni D-prsten (A). Okrećite spojnicu kroz D-prsten dok se zatvarač ne zatvori.
 5. **Zatvorite karabiner s trostrukim djelovanjem:** Pustite zatvarač (D) da se okrene u zatvoreni položaj, a rukavac za zaključavanje (C) da se vrati u zaključani položaj.
- 4.8 HORIZONTALNI SUSTAVI:** U primjenama gdje se SRD uređaj koristi zajedno s horizontalnim sustavom (tj. horizontalna traka za spašavanje, horizontalne primjene na I gredama), SRD uređaj i horizontalne komponente sustava moraju biti kompatibilni. Horizontalni sustavi moraju biti projektirani i instalirani pod nadzorom kvalificiranog inženjera. Pojednosti potražite u uputama proizvođača horizontalne opreme sustava za spašavanje.

Vrijednosti slobodnog prostora za pad na slici 4 temelje se na sidrenju u krutoj, stacionarnoj točki sidrenja i ne primjenjuju se na sidrenje na sustav horizontalne trake za spašavanje (HLL). Pogledajte Upute za uporabu i montažu HLL sustava da odredite potrebni prostor za pad.

5.0 Inspekcija

- 5.1 RFID OZNAKA:** Uređaj za samostalno povlačenje sadrži oznaku radiofrekvencijske identifikacije (RFID) (vidi sliku 17). RFID oznaka može se koristiti s dlanovnikom za očitavanje i internetskim portalom, za jednostavniju inspekciju i kontrolu inventara i zabilježbu o opremi za sprječavanje pada. Za više pojedinosti obratite se predstavniku Korisničke službe 3M (vidjeti stražnje korice). Postupite u skladu s uputama navedenima u dlanovniku za očitavanje ili internetskom portalu, za

prijenos podataka u vaš mrežni djelovodnik.

- 5.2 UČESTALOST INSPEKCIJA:** Uređaj koji se samostalno uvlači mora se pregledavati u intervalima definiranim u odjeljku 2. Postupci inspekcije opisani su u „Dnevniku inspekcije i održavanja“ (Tablica 3).

Ekstremni uvjeti rada (nepovoljna vremenska okružja, dulja primjena itd.), mogu iziskivati povećanje učestalost inspekcija stručne osobe (vidi Tablicu 2).

- 5.3 NESIGURNI ILI NEISPRAVNI UVJETI:** Ako inspekcija otkrije nesigurno ili neispravno stanje, odmah uklonite SRD uređaj iz upotrebe i odložite (vidi Odjeljak 6).

Opravke opreme može obavljati isključivo tvrtka 3M odnosno tvrtke koje za to imaju pismeno dopuštenje.

- 5.4 ŽIVOTNI VIJEK PROIZVODA:** Funkcionalni vijek trajanja samouvlačivih uređaja tvrtke 3M ovisi o uvjetima rada i održavanju. Sve dok proizvod prolazi kriterije pregleda, on može ostati u upotrebi (unutar maksimalnog vijeka trajanja proizvoda). Maksimalni vijek trajanja SRD uređaja s tekstilnim trakama ne premašuje 10 godina od datuma proizvodnje.

6.0 ODRŽAVANJE, SERVISIRANJE I SKLADIŠTENJE

- 6.1 ČIŠĆENJE:** Postupci čišćenja SRD uređaja su sljedeći:

- Povremeno očistite vanjski dio SRD uređaja vodom i blagim rastvorom sapuna. Postavite SRD uređaj tako da višak vode može otjecati. Po potrebi očistite naljepnice.
- Traku za spašavanje čistite vodom i blagim rastvorom sapuna. Isperite i temeljito osušite toplim zrakom. Nemojte pospješivati sušenje toplinom. Traku za spašavanje treba osušiti prije uvlačenja u kućište. Prekomjerno nakupljanje prljavštine, boje i sl. može spriječiti potpuno uvlačenje trake za spašavanje u kućište i uzrokovati opasnost od slobodnog pada.

- 6.2 SERVISIRANJE:** SRD uređaji se ne mogu popravljati. Ako je SRD uređaj bio izložen sili pada ili je inspekcija utvrdila nesigurno ili neispravno stanje, uklonite ga iz upotrebe i odložite (vidi „Odlaganje“).

- 6.3 SKLADIŠTENJE/TRANSPORT:** SRD uređaje skladištite i prevozite na hladnom, suhom, čistom mjestu, podalje od izravne sunčeve svjetlosti. Izbjegavajte mjesta gdje su prisutna kemijska isparavanja. Temeljito pregledajte SRD uređaj nakon svakog razdoblja produljenog skladištenja.

- 6.4 ODLAGANJE:** Odložite SRD uređaj ako je bio izložen silama za sprečavanje pada prilikom pada ili ako je inspekcija otkrila njegovo nesigurno ili neispravno stanje. Prije odlaganja SRD uređaja, izrežite traku za spašavanje na pola ili na drugi način onemogućite mogućnost nenamjerne ili ponovne uporabe.

7.0 Naljepnice

Slika 22 prikazuje naljepnice na samouvlačivim uređajima i njihova mjesta za postavljanje. SRD uređaj mora sadržavati sve naljepnice. Naljepnice se moraju zamijeniti ako nisu u potpunosti čitljive. Piktogrami na naljepnicama definirani su na sljedeći način:

1	Pregledajte kvačicu i indikator udara
2	Pregledajte funkciju zaključavanja SRL uređaja
3	Ispravite način povezivanja SRL uređaja na uprtač
4	Nije certificirano za primjene gdje postoje oštri rubovi. Može biti spojen na sidrište iznad, ispod ili u razini s leđnim D-prstenom (maks. 140 kg).
5	Raspon korištenja na temperaturi -40 °C do +60 °C
6	Maksimalna nosivost 140 kg
7	Uvijek dopustite da se traka za spasavanje uvuče natrag u SRL uređaj na kontrolirani način
8	Ne popravljate
9	Skladištite na hladnom, suhom, čistom mjestu, podalje od izravne sunčeve svjetlosti.
10	Ne postavljati preko rubova
11	Ne skidati naljepnicu

Tablica 3 - Dnevnik inspekcije i održavanja

Serijski broj(evi):		Datum kupovine:	
Broj modela:		Datum prve uporabe:	
Datum inspekcije:		Inspekciju izvršio:	
Komponenta:	Inspekcija: (Vidi Dio 2.2 za Učestalost inspekcije)	Prolaz	Pad
SRD uređaj (Slika 18)	Pregledajte ima li pričvršćivača i savijenih ili oštećenih dijelova.	<input type="checkbox"/>	<input type="checkbox"/>
	Pregledajte kućište (A) radi mogućih izobličenja, pukotina ili drugih oštećenja.	<input type="checkbox"/>	<input type="checkbox"/>
	Pregledajte okretni vijak (B) i okretnu ušicu (C) ili integralni priključak (D) radi mogućih izobličenja, pukotina ili drugih oštećenja. Okretni vijak mora biti sigurno pričvršćen na SRL uređaj, ali bi se trebao slobodno okretati. Okretna ušica ili integralni priključak trebali bi se slobodno okretati, zajedno s okretnim vijkom.	<input type="checkbox"/>	<input type="checkbox"/>
	Platnena traka za spašavanje (E) se treba izvlačiti i povlačiti u potpunosti bez zastajanja ili labavljenja.	<input type="checkbox"/>	<input type="checkbox"/>
	Uvjerite se da se SRD uređaj zaključa kada naglo trznete traku za spašavanje. Zaključavanje bi trebalo biti uspješno bez klizanja.	<input type="checkbox"/>	<input type="checkbox"/>
	Sve naljepnice moraju biti na broju i u potpunosti čitljive.	<input type="checkbox"/>	<input type="checkbox"/>
	Pregledajte cijeli SRD uređaj na znakove korozije.	<input type="checkbox"/>	<input type="checkbox"/>
Krajnje spojnice (Slika 19)	Tablica 2 identificira krajnje spojnice koji bi trebale biti priložene uz vaš model SRD uređaja Nano-Lok. Pregledajte ima li znakova oštećenja i korozije na svim kvačicama, karabinerima, rebar kvačicama, sučeljima i drugoj opremi, te jesu li u ispravnom radnom stanju. Ukoliko postoje: Zatvarači bi se trebali ispravno otvoriti, zatvoriti, zaključati i otključati, a gumbi za zaključavanje i klin za zatvaranje trebali bi ispravno funkcionirati.	<input type="checkbox"/>	<input type="checkbox"/>
Platnena traka za spašavanje (Slika 20)	Pregledajte otkane dijelove; materijal ne smije sadržavati vlakna koja su isječena (A), iskrzana (B) ni pokidana. Provjerite sadrži li materijal pokidana, oguljena, jako zaprljana (C), pljesniva, spaljena mjesta (D) ili dijelove koji su izgubili boju. Pregledajte šavove; provjerite ima li izvučenih ili isječenih šavova. Pokidani šavovi mogu biti znak da je oprema bila izložena udarcima i da se mora izbaciti iz uporabe.	<input type="checkbox"/>	<input type="checkbox"/>
Apsorber energije (Slika 21)	Provjerite je li ugrađeni apsorber energije aktiviran. Otvoreno ili oštećeno kućište (A), tkanina izviruje iz kućišta, poderane ili iskrzane niti tkanja (B), potrgani šavovi itd., ukazuju na aktiviran apsorber energije.	<input type="checkbox"/>	<input type="checkbox"/>
Korektivna radnja/Održavanje:		Odobrio/odobrila:	
		Datum:	
Korektivna radnja/Održavanje:		Odobrio/odobrila:	
		Datum:	
Korektivna radnja/Održavanje:		Odobrio/odobrila:	
		Datum:	
Korektivna radnja/Održavanje:		Odobrio/odobrila:	
		Datum:	
Korektivna radnja/Održavanje:		Odobrio/odobrila:	
		Datum:	
Korektivna radnja/Održavanje:		Odobrio/odobrila:	
		Datum:	
Korektivna radnja/Održavanje:		Odobrio/odobrila:	
		Datum:	
Korektivna radnja/Održavanje:		Odobrio/odobrila:	
		Datum:	

BIZTONSÁGI INFORMÁCIÓK

Kérjük, hogy az önvisszahúzó eszköz (SRD) használata előtt olvassa el, értse meg és kövesse a jelen használati utasításban szereplő összes biztonsági információt. ENNEK ELMULASZTÁSA SÚLYOS SÉRÜLÉSHEZ VAGY HALÁLHOZ VEZETHET.

Ezeket az utasításokat át kell adni az eszköz használójának. Őrizze meg ezeket az utasításokat a későbbi felhasználásra.

Rendeltetészerű használat:

Ez az önvisszahúzó eszköz komplett személyi zuhanásgátló rendszer részeként használható.

A 3M nem engedélyezi a más alkalmazásokban való használatot (többek között anyagkezelés, szabadidős vagy sporttevékenységek, illetve a termék használati utasításában nem szereplő egyéb tevékenységek esetén), mert ezek súlyos sérüléseket vagy halált okozhatnak.

Ezt az eszközt csak képzett felhasználók használhatják munkahelyi alkalmazásokban.

! FIGYELEM

Ez az önvisszahúzó eszköz személyi zuhanásgátló rendszer részét képezi. Elvárás, hogy minden felhasználó legyen teljesen kiképezve a személyi zuhanásgátló rendszer biztonságos felszerelésére és használatára. **Az eszköz nem rendeltetészerű használata súlyos sérüléshez vagy halálhoz vezethet.** A megfelelő kiválasztás, használat, felszerelés, karbantartás és szervizelés érdekében tanulmányozza a jelen használati utasítást, az összes gyártói ajánlást is beleértve, valamint kérdezze meg felettesét, vagy forduljon a 3M műszaki szolgáltatásához.

- **Az SRD-vel történő munkavégzéshez kapcsolódó kockázatok csökkentése érdekében kövesse az alábbiakat, amely kockázatok megelőzése nélkül súlyos sérülés vagy halál következhet be:**
 - Minden használat előtt vizsgálja meg az SRD-t, és ellenőrizze a megfelelő reteszelést és visszahúzást.
 - Ha az ellenőrzés során veszélyes vagy hibás állapotot észlel, vonja ki az eszközt a használatból, és javítsa meg vagy cserélje ki a használati utasítás szerint.
 - Ha az SRD zuhanásgátlásban vett részt, vagy erőhatásnak lett kitéve, azonnal vonja ki az SRD-t a használatból, és helyezzen az eszközre „NEM HASZNÁLHATÓ” címkét.
 - Ügyeljen arra, hogy a mentőkötél mindennemű akadálytól mentes legyen, beleértve többek között a következőket: mozgó gépekbe vagy berendezésekbe (például olajfúrók felső meghajtása), más dolgozóba, az Ön saját testébe vagy környező tárgyakba való beakadás, vagy olyan fej feletti tárgyak által kifejtett erőhatás, amelyek a mentőkötélre vagy a dolgozóra eshetnek.
 - A mentőkötélet soha ne hagyja lazára. Ne alkalmazzon kötést vagy csomót a mentőkötélen.
 - Csatlakoztassa a hámkra szerelt SRD használaton kívüli lábát/lábait a hámon található tartó(k)hoz, ha ilyen(ek) fel van(nak) szerelve.
 - Ne használja olyan alkalmazásokban, ahol a zuhanási út akadályozva van. Lassan mozgó anyagon (például homok vagy kavics) vagy zárt vagy szűk helyeken dolgozva előfordulhat, hogy a dolgozó nem ér el elegendő sebességet az SRD reteszeléséhez. Tiszta út szükséges az SRD pozitív reteszelésének biztosításához.
 - Kerülje a hirtelen vagy gyors mozdulatokat normál munkavégzés közben. Ellenkező esetben az eszköz reteszelhet.
 - Gondoskodjon arról, hogy a különböző gyártók alkatrészeiből összeszerelt zuhanásgátló rendszerek/alrendszerek kompatibilisek legyenek, és megfeleljenek a hatályos szabványok követelményeinek, többek között az ANSI Z359 szabványnak, illetve más alkalmazandó zuhanásvédelmi kódexnek, szabványnak vagy előírásnak. Ezen rendszerek használata előtt mindig konzultáljon szakértővel és/vagy képesített személlyel.
- **A magasban történő munkavégzéshez kapcsolódó kockázatok csökkentése érdekében tartsa be az alábbiakat, amely kockázatok megelőzése nélkül súlyos sérülés vagy halál következhet be:**
 - Legyen jó egészségi és fizikai állapotban ahhoz, hogy ellenálljon a magasban történő munkavégzés közben felmerülő erőhatásoknak. Ha kérdése merül fel ezen eszköz használatával kapcsolatos képességére vonatkozóan, konzultáljon orvosával.
 - Soha ne lépje túl a zuhanásgátló eszköz megengedett terhelését.
 - Soha ne lépje túl a zuhanásgátló eszköz maximális szabadesési távolságát.
 - Ne használjon olyan zuhanásgátló eszközt, amely nem felel meg a használat előtti vagy egyéb tervezett ellenőrzéseken, vagy ha aggályai vannak az eszköz használatával vagy az alkalmazáshoz való alkalmasságával kapcsolatban. Kérdés esetén forduljon a 3M műszaki szolgáltatásához.
 - Bizonyos alrendszer- és alkatrész-kombinációk akadályozhatják ennek az eszköznek a működtetését. Csak kompatibilis csatlakozókat használjon. Konzultáljon a 3M vállalattal, ha ezt az eszközt az ebben a használati utasításban leírtaktól eltérő alkatrészekkel vagy alrendszerekkel együtt használja.
 - Nagyon óvatosan járjon el mozgó gépek körüli munkavégzéskor (például: olajfúrók felső meghajtásánál), elektromos veszélyeknél, szélsőséges hőmérsékleten, vegyi jellegű veszélyeknél, robbanékony vagy mérgező gázok, éles szegélyek, illetve olyan felfüggesztett anyagok jelenlétében, amelyek Önre vagy a zuhanásgátló eszközre zuhanhatnak.
 - Magas hőmérsékleten való munkavégzéshez használjon ívvédelmi vagy hővédelmi eszközöket.
 - Kerülje azokat a felületeket és tárgyakat, amelyek sérülést okozhatnak a felhasználónak vagy az eszközön.
 - Magasban történő munkavégzés esetén gondoskodjon a megfelelő zuhanási térről.
 - Soha ne módosítsa vagy változtassa meg a zuhanásgátló eszközt. Az eszközt csak a 3M vagy a 3M által írásban felhatalmazott személy javíthatja.
 - Zuhanásgátló eszköz használata előtt legyen megfelelő mentési terv, amely azonnali mentést tesz lehetővé zuhanási esemény esetén.
 - Zuhanás esetén azonnal hívjon orvost a lezuhant dolgozóhoz.
 - Zuhanásgátló alkalmazásokhoz ne használjon testevedert. Csak teljes testes tartóhámat használjon.
 - Csökkentse minimálisra a lengő zuhanást azáltal, hogy a kikötési pont alatti lehető legközelebbi helyen dolgozik.
 - Ha kiképzésen vesz részt ezzel az eszközzel, második zuhanásgátló rendszert kell használni oly módon, hogy a gyakorló személy ne tegye ki magát nemkívánatos zuhanásveszélynek.
 - Mindig viseljen megfelelő egyéni védőfelszerelést az eszköz/rendszer felszerelésekor, használatakor vagy ellenőrzésekor.

Ennek az eszköznek a használata előtt rögzíteni kell az e kézikönyv végén található „ellenőrzési és karbantartási naplóban” az azonosító címkéről származó termékazonosító adatokat.

LEÍRÁS

A 2. ábra segítségével azonosíthatók a 3M™ DBI-SALA® Nano-Lok ön visszahúzó eszközök (SRD-k) fontosabb részei. A Nano-Lok SRD-k tulajdonképpen újra tekerített, szövet mentőkötelek (A), soros energiaelnyelővel (B), amely visszahúzható egy nejlon házba (C). A ház tetején található forgószem (D) lehetővé teszi egyrészt a csatlakoztatást karabiner (E) segítségével egy érvényes kikötési csatlakozási ponthoz, másrészt az egy hevederet érintkezési felületével (F) történő felerősítést egy teljes test hevederre. Az 1. ábra segítségével azonosíthatók a rendelkezésre álló Nano-Lok modellek és azok csatlakozókonfigurációi. A Nano-Lok SDR és csatlakozó műszaki adatait illetően lásd az 1. táblázatot.

1. táblázat – Műszaki adatok

Az alkatrészek műszaki adatai:

SRL-házak	Nejlon
Dob	Nejlon
Belső alkatrészek	Rozsdamentes acél, alumínium
Szövet mentőkötél	Dyneema poliészter
Energiaelnyelő	Fedél: nitrilgumi, szövet: poliészter, varrat: poliészter vagy nejlon fonal
Forgó	Cinkkel bevont acél

A csatlakozó műszaki adatai:

	Leírás	Anyag	A retesz nyitása	A retesz szakítószilárdsága	Shakítószilárdság
①	Forgószem	Acél	22,35 mm (0,88 hüvelyk) belső átmérő	X	22,2 kN (5000 font)
②	Karabiner	Alumínium	19 mm (3/4 hüvelyk)	16 kN (3600 font)	22,2 kN (5000 font)
③	Karabiner	Acél	19 mm (3/4 hüvelyk)	16 kN (3600 font)	22,2 kN (5000 font)
④	Egyszerű SRD érintkezési felülete	Acél	51 mm (2 hüvelyk)	16 kN (3600 font)	22,2 kN (5000 font)
⑤	Iker SRD érintkezési felülete	Acél, nejlonbetéttel	19 mm (3/4 hüvelyk)	16 kN (3600 font)	22,2 kN (5000 font)
⑥	Karabiner	Alumínium, acél	56 mm (2,19 hüvelyk)	16 kN (3600 font)	22,2 kN (5000 font)
⑦	Karabiner	Alumínium	19 mm (3/4 hüvelyk)	16 kN (3600 font)	22,2 kN (5000 font)
⑧	Betonvas horog	Alumínium	57 mm (2-1/4 hüvelyk)	16 kN (3600 font)	22,2 kN (5000 font)
⑨	Betonvas horog	Alumínium	63 mm (2-1/2 hüvelyk)	16 kN (3600 font)	22,2 kN (5000 font)
⑩	Karabiner	Alumínium	52 mm (2 hüvelyk)	16 kN (3600 font)	22,2 kN (5000 font)
⑪	Betonvas horog	Alumínium, acél	63 mm (2-1/2 hüvelyk)	16 kN (3600 font)	22,2 kN (5000 font)
⑫	Karabiner	Acél	19 mm (3/4 hüvelyk)	16 kN (3600 font)	22,2 kN (5000 font)
⑬	Betonvas horog	Alumínium	57 mm (2-1/4 hüvelyk)	16 kN (3600 font)	22,2 kN (5000 font)
⑭	Biztonsági horog	Acél	19 mm (3/4 hüvelyk)	16 kN (3600 font)	22,2 kN (5000 font)

A teljesítményre vonatkozó műszaki adatok:

Az SRL műszaki adatai (függőleges)	CE-modellek	
Kapacitástartomány	59 kg – 100 kg (130 font – 220 font)	100 kg – 140 kg (220 font – 310 font)
Maximális zuhanásgátló erő	6 kN (1350 font)	6 kN (1350 font)
Átlagos zuhanásgátló erő:	4 kN (900 font)	4 kN (900 font)
A között maximális zuhanásgátlási távolság¹	0,61 m (24 hüvelyk)	0,61 m (24 hüvelyk)
A minimális szükséges zuhanási tér¹	1,5 m (5 láb)	1,8 m (5,8 láb)
Maximális szabadesés²	1,5 m (5 láb)	1,5 m (5 láb)

1. – Feltételezi, hogy az SRL-t közvetlenül a végfelhasználó fölé (felülre) szerelik.

2. – A felhasználó D-gyűrűjétől a járó-/munkafelületig mérve. A részleteket illetően lásd a zuhanási térre vonatkozó táblázato(ka)t.

1.0 ALKALMAZÁS

- 1.1 CÉL:** Az önvisszahúzó eszközök (SRD-k) személyi zuhanásgátló rendszer (PFAS) részeként használhatók. Az 1. ábra azonosítja a jelen felhasználói kézikönyvben tárgyalt SRD-eket. Ezek a legtöbb esetben felhasználhatók olyan helyzetekben, amikor a dolgozói mobilitást zuhanásvédelemmel kell kombinálni (például ellenőrzési munka, általános építőipari tevékenység, karbantartási munkák, olajkitermelés, zárt térben végzett munka stb.).
- 1.2 SZABVÁNYOK:** Ez az SRD megfelel az ezen használati utasítás borítóján azonosított nemzeti vagy regionális szabvány(ok) nak. A személyi zuhanásvédelemre vonatkozó további információkért tekintse meg a munkahelyi biztonságra vonatkozó helyi, állami és szövetségi (OSHA) követelményeket.
- 1.3 KÉPZÉS:** Ezt az eszközt olyan személyek használhatják, akiket kiképeztek annak megfelelő alkalmazására és használatára. A használó felelőssége ezen utasítások megismerése, valamint az ezen eszköz megfelelő gondozásával és alkalmazásával kapcsolatos képzés. Ezenkívül a felhasználónak ismernie kell ennek az üzemi jellemzőket, az alkalmazhatósági határokat és a nem rendeltetésszerű használat következményeit.
- 1.4 KORLÁTOZÁSOK:** Az eszköz telepítése vagy használata előtt mindig vegye figyelembe az alábbi korlátozásokat:

- **Kapacitás:** Az SRD-k egy olyan személy általi használatra szolgálnak, akinek a teljes súlya (ruházat, szerszámok stb) megfelel az 1. ábrán előírt *kapacitástartomány*nak. Ügyeljen arra, hogy rendszere valamennyi komponense a felhasználási célnak megfelelő kapacitás-besorolású legyen.
- **Kikötési pont:** Az SRD kikötéspont-szerkezetnek el kell bírnia 12 kN (2697 font) terhelést. A kikötési pont eszközöknek meg kell felelniük az EN795 számú vagy a kikötéspont-csatlakozóra vonatkozó egyéb érvényes szabványnak. Ausztráliában/Új-Zélandon a kikötési pontoknak el kell bírniuk 15 kN (3300 font) terhelést.
- **Reteszelési sebesség:** Kerülni kell az olyan helyzeteket, melyek nem teszik lehetővé az akadálymentes zuhanási utat. Zárt vagy szűk helyeken vagy lejtős felületen történő munkavégzés esetében a test lehet, hogy nem ér el elegendő sebességet ahhoz, hogy az SRD reteszeljen zuhanáskor. Lassan mozgó anyagon dolgozva (például homok vagy kavics) előfordulhat, hogy nem alakul ki elegendő sebesség az SRD reteszeléséhez. Tiszta út szükséges az SRD pozitív reteszelésének biztosításához.
- **Szabadesés:** Felső kikötés esetén az SRD 0,6 m-re (2 láb) korlátozza a szabadesési távolságot¹. Annak érdekében, hogy elkerülje a megnövekedett esési távolságokat, az SRD-t közvetlenül a munkaszint felett rögzítse. Soha ne csatlakoztassa az SRD-t olyan kikötési ponthoz, amely 1,5 m-nél (5 láb) nagyobb szabadesést eredményez. Ne végezzen munkát olyan helyen, ahol a mentőkötél egy másik dolgozó mentőkötélét keresztezheti, vagy belegabalyodhat abba. Kerülje az olyan munkavégzést, ahol egy tárgy leeshet és a mentőkötélnek ütközhet, mert az egyensúlyvesztéshez vagy a mentőkötél sérüléséhez vezethet. Ügyeljen arra, hogy a mentőkötélek ne haladjanak el a karok alatt vagy lábak között. Soha ne szorítsa össze vagy csomózza meg a mentőkötéleket, és soha ne akadályozza meg, hogy visszahúzódjon vagy feszes maradjon. A kötelet ne hagyja lazára. **Ne hosszabítsa meg az SRD-t feszítőkötél vagy hasonló komponens csatlakoztatásával, anélkül, hogy előtte nem egyeztetne a 3M vállalattal.**
- **Lengő zuhanások:** Lengő zuhanás akkor következhet be, ha a kikötési pont nem közvetlenül az esés helye felett található. Súlyos sérülést okozhat, ha lengő zuhanás közben a zuhanó személy valamilyen tárgyhoz ütdődik (lásd 3A ábra). Csökkentse minimálisra a lengő zuhanást azáltal, hogy a kikötési pont alatti lehető legközelebbi helyen dolgozik (3B ábra). A kikötési ponttól (3C ábra) távol végzett munka esetén megnő a lengő zuhanás által okozott erőhatás, és megnő a szükséges zuhanási tér (FC).
- **Zuhanási tér:** A 3B ábra a zuhanási tér számítást mutatja be. A zuhanási tér (FC) a szabadesés (FF), a lassulási távolság (DD) és a biztonsági tényező (SF) összege: $FC = FF + DD + SF \cdot A$. A D-gyűrű csúszása és a hám nyúlása a biztonsági tényező részét képezi. A zuhanási tér kiszámolt értékei és diagramja a 4. ábrán láthatók. A 4. ábrán látható összes érték esetén 1 m-es (3,28 láb) biztonsági tényezőt használtak.

A 4. ábra a zuhanási teret (FC) a hasi SRD csatlakozás és a kikötési pont közötti vízszintes (H) és függőleges (V) távolság alapján ábrázolja. A diagram(ok)on lévő egyes vízszintes rácsvonalak a kikötési ponttól való függőleges távolságot jelölik. Az egyes függőleges rácsvonalak a kikötési ponttól való vízszintes távolságot jelölik. A zuhanási tér (FC) értékét az a zóna (parabolagörbe) határozza meg, ahol a vízszintes (V) és a függőleges (V) rácsvonalak metszik egymást. A 4. ábrán látható példa megmutatja, hogy hogyan határozzuk meg a szükséges zuhanási teret (FC) a megadott függőleges (V) és vízszintes (H) távolságokra vonatkozóan.

Változó kikötési pontok: A 4. ábrán látható zuhanási terek egy merev, álló helyzetű kikötési ponton alapulnak. Ha olyan vízszintes mentőkötélhez (HLL) vagy kikötési ponthoz végez kikötést, amely elmozdulhat, elcsúszhat vagy deformálódhat egy zuhanás során, a 4. ábra zuhanási tér értékei nem alkalmazandók. A szükséges zuhanási terekkel, eltérésekkel és/vagy deformálódással kapcsolatos további részletekért tekintse meg a HLL-re vonatkozó utasításokat.

Térdelés vagy guggolás: A 4. ábrán látható zuhanási terek azt feltételezik, hogy a dolgozó álló helyzetben van. Ha a dolgozó térdelni vagy guggolni fog, akkor további 0,9 m (3 láb) zuhanási tér szükséges.

A kikötési pont soha ne legyen a lábak alatt: Soha ne kösse ki magát a lábai alatt lévő kikötési ponthoz.

- **Veszélyek:** Az eszköz környező veszélyeket rejtő területen történő használata esetén további elővigyázatossági intézkedésekre lehet szükség a használó sérülésének vagy a berendezés károsodásának elkerülése érdekében. A veszélyek körébe – a teljesség igénye nélkül – a következők tartoznak: nagy hő, maró vegyszerek, korrozív környezet, nagy feszültségű elektromos vezetékek, robbanékony vagy mérgező gázok, mozgó gépek vagy túllógó anyagok, melyek leeshetnek és kapcsolatba kerülhetnek a felhasználóval vagy a zuhanásgátló rendszerrel. Ne végezzen munkát olyan helyen, ahol a mentőkötél egy másik dolgozó mentőkötélét keresztezheti, vagy belegabalyodhat abba. Kerülje az olyan munkavégzést, ahol egy tárgy leeshet és a mentőkötélnek ütközhet, mert az egyensúlyvesztéshez vagy a mentőkötél sérüléséhez vezethet. Ügyeljen arra, hogy a mentőkötélek ne haladjanak el a karok alatt vagy lábak között.
- **Éles szegélyek:** Az SRD mentőkötéllel a zuhanás közben érintkező éles szegélyek minimális sugarának 0,3 cm-nek (0,125 hüvelyk) kell lennie. Ahol elkerülhetetlen az éles szegéllyel való érintkezés, ott takarja le a szegélyt védőanyaggal.

¹ **Szabadesés:** Az SRD megfelelő alkalmazása úgy, hogy a felhasználó közvetlenül a kikötési pont alatt dolgozik, és a mentőkötél nem laza, kiküszöböli a szabadesés lehetőségét. Az elfogadható kikötési pont helyekkel kapcsolatosan lásd a 4. ábrát.

2.0 A rendszer használata

- 2.1 ZUHANÁSVÉDELEM ÉS MENTÉSI TERV:** A munkáltatónak érvényes zuhanásvédelmi és mentési tervvel kell rendelkeznie. A tervnek útmutatásokat és követelményeket kell tartalmaznia a munkáltató által kezelt zuhanásvédelmi programra vonatkozóan, beleértve a következőket: irányelvek, kötelezettségek és kiképzés; zuhanásvédelmi eljárások; zuhanásveszély kiküszöbölése és ellenőrzése; mentési eljárások; eseménykivizsgálások; a program hatékonyságának értékelése.
- 2.2 AZ ELLENŐRZÉS GYAKORISÁGA:** A feljogosított személynek¹ vagy a mentő személynek² minden egyes használat előtt ellenőrizni kell az SRD-ket (lásd 3. táblázat). Ezenkívül a felhasználótól eltérő hozzáértő személynek is³ el kell végeznie az ellenőrzést. Szükséges munkafeltételek mellett (mostoha környezet, hosszabb használat stb.) a hozzáértő személy által végzett gyakoribb ellenőrzésre lehet szükség. A hozzáértő személynek az *Ellenőrzési időközök (2. táblázat)* használatával kell meghatározni az ellenőrzési időközöket. Az ellenőrzési eljárások az *Ellenőrzési és karbantartási naplóban (3. táblázat)* vannak ismertetve. A hozzáértő személy által végzett valamennyi ellenőrzés eredményeit az *Ellenőrzési és karbantartási naplóban* kell rögzíteni, vagy a rádiófrekvenciás azonosító (RFID) rendszerrel kell követni (lásd 5. szakasz).
- 2.3 NORMÁL MUNKAVÉGZÉS:** A normál munkavégzés lehetővé teszi, hogy a mentőkötél fennakadás vagy fellazulás nélkül nyúljon ki vagy húzódjon vissza, miközben a dolgozó szokásos sebességeken mozog. Zuhanás esetén a sebességérzékelő fékrendszer aktiválódik, leállítja a leesést, és elnyeli a létrehozott energia nagy részét. A normál munkavégzés során el kell kerülni a hirtelen vagy a gyors mozdulatokat, mert az az SRD reteszeléséhez vezethet. A mentőkötélek útvonalának a vége közelében fellépő zuhanások esetére tartalék mentőkötél-rendszer vagy energiaelnyelő is be van építve a zuhanásgátló erő csökkentése érdekében.
- 2.4 TESTTÁMASZ:** Az önvisszahúzó eszközzel teljes testhámot kell használni. A hám csatlakozási pontjának a felhasználó súlypontja felett kell lennie. Az önvisszahúzó eszközzel nem alkalmazható testheveder. Ha valaki a testheveder használata mellett leesik, a nem megfelelő testtámasz miatt az véletlenszerű kioldáshoz vagy fizikai traumához vezethet.
- 2.5 AZ ALKATRÉSZEK KOMPATIBILITÁSA:** Ha másképp nem jelzik, a 3M berendezést kizárólag a 3M által jóváhagyott alkatrészekkel és alrendszerekkel együtt történő alkalmazásra tervezték. A jóvá nem hagyott alkatrészekkel vagy alrendszerekkel történő helyettesítés, illetve pótlás veszélyeztetheti az eszköz kompatibilitását, ugyanakkor befolyásolhatja az egész rendszer biztonságát és megbízhatóságát.
- 2.6 CSATLAKOZÓK KOMPATIBILITÁSA:** A csatlakozókat akkor tekintjük kompatibilisnek a csatlakozó elemekkel, ha azokat oly módon történő használatra tervezték, hogy méretük és alakjuk – tekintet nélkül arra, hogy milyen tájolásúak – nem idézi elő a reteszelőmechanizmusaik véletlenszerű nyitását. A kompatibilitással kapcsolatos kérdésekkel forduljon a 3M-hez. A csatlakozóknak (horgok, karabinerek és D-gyűrűk) legalább 22,2 kN-t (5000 font) kell megtartaniuk. A csatlakozóelemeknek kompatibilisnek kell lenniük a kikötési ponttal vagy a rendszer egyéb alkatrészeivel. Ne használjon olyan eszközt, amely nem kompatibilis. A nem kompatibilis csatlakozók véletlenül szétkapcsolódhatnak (lásd az 5. ábrát). A csatlakozóelemeknek méret, alak és teherbírás szempontjából egyaránt kompatibilisnek kell lenniük. Önzáró biztonsági horgokat és karabinereket kell alkalmazni. Ha a csatlakozóelem, amelyhez biztonsági horog vagy karabiner csatlakozik, túlságosan kis méretű, illetve szabálytalan alakú, előfordulhat, hogy a csatlakozóelem erőt fejt ki a biztonsági horog vagy a karabiner zárónyelvére (A). Ez az erő a zárónyelvet nyitásra készítheti (B), ezáltal pedig a biztonsági horog vagy a karabiner lekapcsolódhat a csatlakozási ponttól (C).
- 2.7 CSATLAKOZTATÁSOK:** Ezzel az eszközzel együtt kizárólag önzáró biztonsági horgokat és karabinereket használjon. Ellenőrizze, hogy minden csatlakozás – méret, alak, mind teherbírás szempontjából – kompatibilis-e. Ne használjon olyan eszközt, amely nem kompatibilis. Ellenőrizze, hogy minden csatlakozóelem teljesen záródott és reteszelt-e. A 3M csatlakozók (biztonsági horgok és karabinerek) kizárólag az egyes termékek használati utasításában meghatározott módon alkalmazhatók. A helytelen csatlakoztatásokra példák a 6. ábrán láthatók.

Ne csatlakoztasson biztonsági horgokat és karabinereket:

- olyan D-gyűrűhöz, amelyhez másik csatlakozóelem csatlakozik.
- oly módon, hogy az terhelést jelentsen a zárónyelv számára. A nagy nyílású biztonsági horgokat nem szabad szabványos méretű D-gyűrűkhöz vagy hasonló olyan tárgyakhoz csatlakoztatni, amelyek a záróelem terhelését eredményeznék a horog vagy a D-gyűrű elfordulásakor, illetve elcsavarodásakor, kivéve, ha a biztonsági horgok 16 kN-os (3600 font) záróelemmel vannak szerelve.
- hibás összekapcsolódáskor, amikor a csatlakozóelemek mérete és alakja nem kompatibilis egymással, szemrevételezés hiányában úgy tűnik, hogy a csatlakozók teljes mértékben összekapcsolódtak.
- egymáshoz;
- közvetlenül szövet hevederhez vagy feszítőkötélhez, illetve tartókötélhez (kivéve, ha a gyártónak a mind a feszítőkötélre, mind a csatlakozóelemre vonatkozó utasításai az ilyen jellegű csatlakoztatást kifejezetten engedélyezik);
- bármely olyan tárgyhoz, amely olyan alakú vagy méretű, hogy a biztonsági horog vagy a karabiner nem tud záródni, illetve reteszelődni, vagy amelynél kicsúszás fordulhat elő;
- oly módon, amely nem teszi lehetővé, hogy a csatlakozóelem terhelés alatt megfelelően beállítható legyen.

2. táblázat – Ellenőrzési napló

A felhasználás típusa	Alkalmazási példák	Felhasználási feltételek	Ellenőrzés gyakorisága
			Hozzáértő személy
Nem gyakori vagy könnyű	Mentés és zárt tér, gyári karbantartás	Jó tárolási feltételek, beltéri vagy ritka kültéri használat, szobahőmérséklet, tiszta környezet	Évente
Mérsékelt vagy nehéz	Szállítás, lakóépület építés, közművek, raktár	Korrekt tárolási feltételek, beltéri és huzamos kültéri használat, minden hőmérséklet, tiszta vagy poros környezet	Félévente vagy évente
Kemény vagy folyamatos	Kereskedelmi létesítmény építés, olaj- és gázipar, bányászat	Mostoha tárolási feltételek, hosszan tartó vagy folyamatos kültéri használat, minden hőmérséklet, szennyezett környezet	Negyedévente vagy félévente

¹ **Feljogosított személy:** A munkaadó által az olyan helyen végzett feladatok ellátására kijelölt személy, ahol az adott személy zuhanásveszélynek van kitéve.

² **Mentést végző személy:** A mentendő személyen kívüli személy vagy személyek, akik mentőrendszerrel mentést végeznek.

³ **Hozzáértő személy:** A munkáltató által kijelölt személy, aki felelős a munkáltató által kezelt zuhanásvédelmi program azonnali felügyeletéért, végrehajtásáért és monitorozásáért, és aki képzések és ismeretek révén képes azonosítani, értékelni és kezelni a meglévő és potenciális zuhanásveszélyeket, és aki rendelkezik a munkáltatói jogosultsággal ahhoz, hogy az ilyen veszélyekkel kapcsolatban haladéktalanul elhárítási tevékenységet végezzen.

3.0. Felszerelés

- 3.1. TERVEZÉS:** A munka megkezdése előtt tervezze meg a zuhanásvédelmi rendszert. Számoljon minden olyan tényezővel, amely befolyásolhatja a biztonságát egy zuhanás előtt, alatt és után. Vegyen tekintetbe minden olyan követelményt és korlátozást, amelynek meghatározása a 2. részben található.

A legtöbb alkalmazás esetében a Nano-Lok SRD csatlakoztatható a kikötési ponthoz vagy a hevederzet hasi helyéhez. Mindkét irány engedélyezett; kivéve a 4. részben említetteket

- 3.2. KIKÖTÉSI PONT:** A 7. ábrán láthatók a tipikus SRD-kikötési ponthoz tartozó csatlakozások. Válasszon olyan kikötési helyet, amelyhez minimális szabadesési és lengő zuhanási veszély társul (lásd az 1. részt). Válasszon olyan merev kikötési pontot, amely képes az 1. részben meghatározott statikus terheléseket megtartani. Abban az esetben, ha a felső kikötési pont nem kivitelezhető, a Nano-Lok SRD-k egy olyan kikötési ponthoz rögzíthetők, amely alatta van a felhasználó hasi D-gyűrűje szintjének. A legfeljebb 140 kg (310 font) súlyú felhasználók esetében a kikötési pont nem szabad, hogy több mint 5 lábbal (1,5 m) alatta legyen a hasi D-gyűrűnek.

- 3.3. A HEVEDERZET FELSZERELÉSE:** Bizonyos SDR-modelleknek része az egyszerű SRD vagy iker SRD hevederzet érintkezési felülete, amely az SRD(k)-nek egy közvetlenül a hasi D-gyűrű alatt található teljes testes hevederzetre történő felszerelésére szolgál:

Bizonyos teljes testes hevederzetek fel vannak szerelve egy személyi SDR-csatlakozóval (PSRL-csatlakozó), amely a hasi D-gyűrűt egybeépíti a hevederzetre szerelt önvisszahúzó eszközökhöz tartozó csatlakoztató elemekkel (8. ábra). Az is elfogadható, hogy az SRD-t egy karabiner vagy biztonsági horog segítségével csatlakoztatják a hevederzet hasi D-gyűrűjéhez.

- **Egyszerű SRD hevederzetének felszerelése:** Abban az esetben, ha a dolgozó mozgékonyága nagyon fontos, az SRD hevederzet érintkezési felülete vehető igénybe az SRD-nak a közvetlenül a hasi D-gyűrű alatti teljes testes hevederzet hátoldalára történő felszereléséhez (lásd a 9. ábrát). Ezután a dolgozó csatlakozhat a helyszínen mindenütt megtalálható változatos kikötési pontokhoz az SRD feszítőkötél felőli vége segítségével anélkül, hogy ismételtén újra kellene szerelni az SRD-t. Az SRD-nak az SRD hevederzet érintkezési felülete segítségével egy teljes testes hevederzetre történő felszereléséhez:
 1. **Lazítsa meg a hevederzet szövetét:** Addig húzza ki a hevederpántokat (A) ott, ahol azok áthaladnak a hasi D-gyűrű (B) alján, amíg nincs elegendő hely az SRD hevederzet érintkezési felületének a hevederpántok és a D-gyűrű párnázása közé történő becsúztatásához.
 2. **Nyissa a hevederzet érintkezési felületét:** Egyidejűleg nyomja meg a rögzítógombokat (C), majd csúsztassa ki a rögzítőcsapot (D).
 3. **Állítsa be az SRD-t a hevederzet érintkezési felületén:** Helyezze rá a nyitott reteszt a hevederzet érintkezési felületére az SRD-n (E) lévő forgószemen keresztül. Úgy vezesse át az érintkezési felületet a forgószemekre, hogy az SRD a hevederzet érintkezési felületének a gerincéről (F) függjön alá.
 4. **Helyezze el a hevederzet érintkezési felületét a hevederpántok körül:** Helyezze el a hevederzet érintkezési felületének nyitott reteszét a laza hevederpántok (A) körül.
 5. **Zárja le a hevederzet érintkezési felületét:** Addig tolja át a hevederzet érintkezési felületéhez tartozó rögzítőcsapot (D) a laza hevederpántokon (A), amíg az a helyén nem rögzül a hevederzet érintkezési felületének ellentétes végén. Húzza vissza a hevederpántokat, át a hasi D-gyűrűn és a háti párnázáson, hogy rögzíteni lehessen a hevederzet érintkezési felületét.

A hevederzet érintkezési felületéhez tartozó rögzítőcsap gombos végén piros sáv válik láthatóvá, ha a hevederzet érintkezési felülete kioldódott. A csatlakozás véletlenszerű kioldódásának elkerülésére mindig ellenőrizze, hogy a hevederzet érintkezési felülete záródott-e, mielőtt a hevederzetet és a csatlakoztatott SRD-t használná. Ennek elmulasztása sérülést vagy halálos balesetet eredményezhet.
- **Iker SRD hevederzet felszerelése:** Mászással járó alkalmazások esetén, ahol 100%-os kikötésre van szükség, az SRD hevederzet érintkezési felülete felhasználható a két SRD egymás mellé történő felszereléséhez egy teljes testes hevederzet hátoldalán, közvetlenül a hasi D-gyűrű alatt (lásd a 9. ábrát) Két SRD teljes testes hevederzetre történő felszereléséhez az SRD hevederzet érintkezési felületével:

1. **Lazítsa meg a hevederzet szövetét:** Addig húzza ki a hevederpántokat (A) ott, ahol azok áthaladnak a hasi D-gyűrű (B) alján, amíg nincs elegendő hely az SRD hevederzet érintkezési felületének a hevederpántok és a D-gyűrű párnázása közé történő becsúztatásához.
2. **Nyissa a hevederzet érintkezési felületét:** Egyidejűleg nyomja meg a rögzítógombokat (C), majd csúsztassa ki a rögzítőcsapot (D).
3. **Állítsa be az SRD-t a hevederzet érintkezési felületén:** Helyezze rá a nyitott reteszt a hevederzet érintkezési felületére az SRD-n (E) lévő forgószemen keresztül. Úgy vezesse át az érintkezési felületet a forgószemekre, hogy az SRD a hevederzet érintkezési felületének a gerincéről (F) függjön alá.
4. **Helyezze el a hevederzet érintkezési felületét a hevederpántok körül:** Helyezze el a hevederzet érintkezési felületének nyitott reteszét a laza hevederpántok (A) körül.
5. **Zárja le a hevederzet érintkezési felületét:** Addig tolja át a hevederzet érintkezési felületéhez tartozó rögzítőcsapot (D) a laza hevederpántokon (A), amíg az a helyén nem rögzül a hevederzet érintkezési felületének ellentétes végén. Húzza vissza a hevederpántokat, át a hasi D-gyűrűn és a háti párnázáson, hogy rögzíteni lehessen a hevederzet érintkezési felületét.

A hevederzet érintkezési felületéhez tartozó rögzítőcsap gombos végén piros sáv válik láthatóvá, ha a hevederzet érintkezési felülete kioldódott. A csatlakozás véletlenszerű kioldódásának elkerülésére mindig ellenőrizze, hogy a hevederzet érintkezési felülete záródott-e, mielőtt a hevederzetet és a csatlakoztatott SRD-t használná. Ennek elmulasztása sérülést vagy halálos balesetet eredményezhet.

- **Iker SRD hevederzet felszerelése:** A régebbi ExoFit teljes testes hevederzetek, amelyekhez rögzített D-gyűrű tartozik, különleges SRD hevederzet érintkezési felületet igényelnek a két SRD-nek a hevederzet hátoldalán, közvetlenül a D-gyűrű alatti felszereléséhez. Két SRD-nek egy ExoFit teljes testes hevederzetre történő felszereléséhez az SRD rögzített D-gyűrűs hevederzet érintkezési felületével (10. ábra):
 1. **Lazítsa meg a hevederzet szövetét:** Addig húzza ki a hevederpántokat (A) ott, ahol azok áthaladnak a hasi D-gyűrű (B) alján, amíg nincs elegendő hely az SRD hevederzet érintkezési felületének a hevederpántok és a háti párnázás közé történő behelyezéséhez.
 2. **Nyissa a hevederzet érintkezési felületét:** Az SRD hevederzet érintkezési felületét az ábrán látható módon tájolva, tolja jobbra, majd forgassa el az óramutató járásával megegyező irányba a rögzítőhüvelyt (C) a retesz (D) kioldása érdekében. Ha nyitni akarja a reteszt (D), fordítsa el lefelé.
 3. **Fűzze rá az első SRD-t a hevederzet érintkezési felületére:** Vezesse át a csatlakozó (E) bütykét a forgószemen (F) az SRD-n, majd forgassa el az SRD-t a csatlakozó reteszvégeig (G). A retesz zárható, hogy játékot hagyhasson a csatlakozó retesze és gerince között a forgószem számára.
 4. **Helyezze el a hevederzet érintkezési felületét a hevederpántok körül:** Helyezze a csatlakozó bütykét (E) a hevederpántok (A) mögé. Addig forgassa el a csatlakozót a hevederpántok mögött, amíg a csatlakozó körül nem veszi a hevederpántokat.
 5. **Szerelje fel a második SRD-t a hevederzet érintkezési felületére:** Csúsztassa rá az SRD forgószemét (F) a csatlakozó bütykére (E), majd helyezze be az SRD forgószemét a csatlakozó bütyökvégébe.
 6. **Zárja le a hevederzet érintkezési felületét:** Tegye lehetővé, hogy a retesz (D) zárt állásba fordulhasson, a rögzítőhüvely (C) pedig visszafordulhasson a zárt helyzetbe. Amint a hevederzet érintkezési felülete zárva van, húzza vissza a hevederpántokat (A) a hasi D-gyűrűn keresztül, hogy megszüntethesse a szövetnél fellépő holtjátékot, egyszersmind rögzíthesse a hevederzet érintkezési felületét a hevederpántok és a háti párnázás között.
- **3M® DBI-SALA® ikerkarabiner:** A 3M® DBI-SALA® ikerkarabiner úgy van kialakítva, hogy két Nano-Lok SRD-t lehessen felszerelni egymás mellé egy teljes testes hevederzet hátoldalán, közvetlenül a hasi D-gyűrű alatt (lásd a 12. ábrát). Két Nano-Lok SRD-nek az ikerkarabinerrel rendelkező, teljes testes hevederzetre történő felszereléséhez:
 1. **Lazítsa meg a hevederzet szövetét:** Addig húzza ki a hevederpántokat (A) ott, ahol azok áthaladnak a hasi D-gyűrű (B) alján, amíg nincs elegendő hely a kétágú érintkezési felületnek a hevederpántok és a D-gyűrű párnázása közé történő becsúsztatásához.
 2. **Nyissa ki az ikerkarabinert:** Tolja felfelé a csatlakozó betétjét (C), hogy a csatlakozóról lepattintható a kapcsokat (D), majd fordítsa felfelé a csatlakozó betétjét, hogy a reteszt kioldhassa. Tolja befelé a reteszt (E), ha a csatlakozót nyitni kívánja.
 3. **Fűzze rá az első Nano-Lok SRD-t az ikerkarabinerre:** Vezesse át a csatlakozó (F) bütykét a forgószemen (G) az SRD-n, majd forgassa el az SRD-t a csatlakozó reteszvégeig (A retesz elforgatható a bütyök felé, hogy játékot hagyhasson a csatlakozó retesze és gerince között a forgószem számára).
 4. **Helyezze el az ikerkarabinert a hevederpántok körül:** Miközben a retesz felfelé néz, helyezze a csatlakozó bütykét (F) a hevederpántok mögé (A). Addig forgassa el a csatlakozót a hevederpántok mögött, amíg a csatlakozó körül nem veszi a hevederpántokat.
 5. **Szerelje fel a második Nano-Lok SRD-t az ikerkarabinerre:** Csúsztassa rá az SRD forgószemét (G) a csatlakozó bütykére (F), majd helyezze be az SRD forgószemét a csatlakozó bütyökvégébe (F). Fordítsa el zárt állásba a reteszt (E).
 6. **Az ikerkarabiner bezárása:** Forgassa előrefelé a csatlakozóbetétet (C), hogy a kapcsok (D) rögzülhessenek a csatlakozón. Ha megfelelően zárva vannak, a hevederpántoknak át kell haladniuk a csatlakozóbetét tetején található hevedernyíláson (J), az SRL forgószemeknek pedig a csatlakozóbetét mindkét oldalán található vágatokban (K) kell rögzülniük. Amint a hevederzet érintkezési felülete zárva van, húzza vissza a hevederpántokat (A) a hasi D-gyűrűn és a D-gyűrű párnázásán keresztül, hogy megszüntethesse a szövetnél fellépő holtjátékot, egyszersmind rögzíthesse a csatlakozót a hevederpántok és a D-gyűrű párnázása között.
- **3M® DBI-SALA® csapos ikerkarabiner:** Ennek a hevedercsatlakoztatónak a segítségével felszerelhető egy Nano-Lok SRL, illetve két Nano-Lok SRL a mászási alkalmazásoknál (lásd a 11. ábrát), ahol 100%-os kikötésre van szükség:
 1. **Lazítsa meg a hevederzet szövetét:** Addig húzza ki a hevederpántokat (A) ott, ahol azok áthaladnak a hasi D-gyűrű (B) alján, amíg nincs elegendő hely a kétágú érintkezési felületnek a hevederpántok és a D-gyűrű párnázása közé történő becsúsztatásához.
 2. **Egyszerű konfigurációnál:** Helyezze el egy egyszerű SRL forgószemét a középső nyitott térben.
 3. **Ikerkonfigurációnál:** Helyezze el az egyik SRL forgószemét a csaphoz legközelebb eső nyitott térben, a másik SRL-t pedig a csaptól legtávolabb eső nyitott térben.
 4. Addig csúsztassa vissza a csapot a helyén, amíg kattantást nem hall. A csapnak szilárdan kell rögzülnie a helyén.
 5. Egyidejűleg nyomja meg a két gombot a csatlakozó hevederzet felőli oldalán, miközben a csapot kicsúsztatja. Ennek a csapnak a kicsúsztatásával nyílt tér jön létre.
 6. Vegyen vissza egy kicsit a holtjátékból a hevederzetnél, közvetlenül a hasi D-gyűrű alatt a hevederzeten. Helyezze el a csatlakozó hevederzet felőli oldalát a D-gyűrű alatt.
 7. Miközben gondoskodik arról, hogy a csap a hevederzet szövetének mindkét rétege alatt maradjon, addig csúsztassa vissza a csapot a helyére, amíg kattantást nem hall. A csapnak szilárdan kell rögzülnie a helyén.

4.0. MŰKÖDÉS

Azoknak a felhasználóknak, akik az önvisszahúzó eszközöket (SRD-k) első alkalommal vagy ritkán használják, az SRD használata előtt el kell olvasniuk a jelen kézikönyv elején található „Biztonsági információkat”.

- 4.1. MINDEN EGYES HASZNÁLAT ELŐTT:** Ennek a zuhanásvédelmi berendezésnek minden egyes használata előtt gondosan ellenőrizni kell, hogy használható állapotban van-e. Ellenőrizze a kopott vagy sérült alkatrészeket. Ellenőrizze, hogy

minden csavar megvan-e, és biztonságos-e. Azzal ellenőrizze, hogy a mentőkötél megfelelően visszahúzódik-e, hogy kihúzza a kötelet, majd lehetővé teszi annak lassú visszahúzóását. Ha bármilyen bizonytalanság tapasztalható a visszahúzás során, a berendezést nem szabad használni, és meg kell semmisíteni. Ellenőrizze a mentőkötél szakadások, kirojtódások, égésnyomok, gyűrődések és korrózió szempontjából. Oly módon ellenőrizze a záródást, hogy hirtelen meghúzza a mentőkötélet. Az ellenőrzés részleteit illetően lásd az ellenőrzési és karbantartási naplót (3. táblázat). Ne használja, ha az ellenőrzés nem biztonságos körülményt tár fel.

- 4.2. ZUHANÁS UTÁN:** Minden olyan berendezésnek a használatát meg kell szüntetni, a berendezést pedig meg kell semmisíteni, amely zuhanást megállító erőhatásoknak volt kitéve, vagy amely – a 3. táblázaton ismertetettek szerinti – zuhanásgátló erők hatásával összeegyeztethető károsodást mutat.
- 4.3. TESTTÁMASZ:** Az SRD-k használatakor teljes test hevederzetet kell viselni. Az általános zuhanásvédelmi alkalmazáshoz csatlakozzon a háti (hasi) D-gyűrűhöz.
- 4.4. A CSATLAKOZÁSOK KIALAKÍTÁSA:** Az 5. ábrán láthatók a hevederzet és a kikötési pont csatlakozásai az SRD zuhanásgátló rendszerek esetében. Amikor horgot használnak egy csatlakozás kialakításához, gondoskodni kell arról, hogy nem kerülhet sor kicsúszásra (lásd az 5. ábrát). Ne használjon olyan horgokat vagy csatlakozókat, amelyek nem zárnak rá teljesen a kikötési eszközre. Ne használjon nem záródó biztonsági horgokat. A kikötési pontnak meg kell felelnie a 2. táblázaton közölt, a kikötési pontra vonatkozó teherbírási követelményeknek. Tartsa be az egyes rendszerelemekkel együtt kapott gyártói utasításokat.
- 4.5. MŰKÖDÉS:** Használat előtt ellenőrizze az SRD-t a 3. táblázaton leírtak szerint. A 14. ábrán láthatók a rendszercsatlakozások a tipikus SRD-alkalmazások esetében. Csatlakoztassa az SRD-t alkalmas kikötési ponthoz, vagy szerelje rá az SRD-t egy teljes test hevederzet hátoldalára a 3. részben közölt utasítások szerint. A kikötési ponthoz csatlakoztatott SRD-ken csatlakoztassa a terhelésjelzőn lévő horgot (D) vagy karabinert a teljes test hevederzeten lévő hasi D-gyűrűhöz (A). A hevederzetre szerelt SRD-ken csatlakoztassa a horgot (D) vagy karabinert alkalmas kikötési ponthoz. Gondoskodjon arról, hogy a csatlakozások méret, forma és teherbírás szempontjából egyaránt kompatibilisek legyenek. Gondoskodjon arról, hogy a horgok teljesen zárva és reteszelve legyenek. Amint a dolgozó csatlakoztatva van, szabadon mozoghat a megszokott sebességgel, az ajánlott munkaterületen belül. Ha zuhanásra kerül sor, az SRD a zuhanást megfogja és gátolja. Mentéskor ne használja az SRD-t. Amikor SRD-vel dolgozik, mindig tegye lehetővé, hogy a mentőkötél visszaugorjon az irányított berendezésbe.
- 4.6. AZ IKER SRD ÉRINTKEZÉSI FELÜLETÉNEK 100%-OS KIKÖTÉSE:** Amikor két SRD van felszerelve egymás mellé egy teljes test hevederzet hátoldalán, az SRD zuhanásgátló rendszer emelkedés, ereszkedés vagy oldalirányú mozgás esetén egyaránt felhasználható a folyamatos zuhanásvédelemre (100%-os kikötés) (lásd a 15. ábrát). Amikor az egyik SRD-nek a feszítőkötélága csatlakozik egy kikötési ponthoz, a dolgozó új helyre tud menni, a másik SRD nem használt feszítőkötélágát csatlakoztathatja egy másik kikötési ponthoz, majd lecsatlakozhat az eredeti kikötési pontról. Ez az intézkedési sorrend addig ismétlődik, amíg a dolgozó el nem ér a kívánt helyre. Az iker SRD 100%-os kikötési alkalmazásaira vonatkozó szempontok körébe a következők tartoznak:
- Soha ne csatlakoztassa mindkét SRD feszítőkötélet ugyanahhoz a kikötési ponthoz (lásd a 16A ábrát).
 - Az egynél több csatlakozónak egyetlen kikötési ponthoz (gyűrűhöz vagy szemhez) történő csatlakoztatása veszélyeztetheti a csatlakozás kompatibilitását a csatlakozók közötti kölcsönhatás miatt, ezért nem is ajánlatos.
 - Az egyes SRD-feszítőkötéleknek egy külön kikötési ponthoz történő csatlakoztatása elfogadható (16B ábra).
 - Mindegyik csatlakozási helynek egymástól függetlenül 2248 fontot (10 kN) kell tudnia megtartania, illetve egy műszaki rendszernek kell lennie, ugyanúgy, mint egy vízszintes mentőkötélnél.
 - Soha ne csatlakoztasson egyszerre egynél több személyt az iker SRD-rendszerhez (16C ábra).
 - Ne engedje, hogy a feszítőkötélek összegabalyodjanak vagy megcsavarodjanak, mivel ez megakadályozhatja azok visszahúzását.
 - Ne engedje, hogy bármelyik feszítőkötél a használat során a karja alatt vagy a lábai között haladjon el.
- 4.7. IKER SRD HASI D-GYŰRŰJÉNEK FELSZERELÉSE:** A hármass hatású karabinerrel rendelkező modellek felszerelhetők ikerkonfigurációban a hasi D-gyűrűre. Két SRD-nek egy hevederzet hasi D-gyűrűjére történő felszereléséhez (13. ábra):
- 1. Nyissa ki a hármass hatású karabinert:** a hármass hatású karabinernek az ábrán látható tájolásával tolja jobbra a rögzítőhüvelyt (C), majd forgassa el az óramutató járásával megegyező irányban, hogy a reteszt (D) kioldhassa. Ha nyitni akarja a reteszt (D), fordítsa el lefelé.
 - 2. Fűzze rá az első SRD-t a hevederzet érintkezési felületére:** vezesse át a csatlakozó (E) bütykét a forgószemen (F) az SRD-n, majd forgassa el az SRD-t a csatlakozó retesze végéig (G). A retesz zárható, hogy játékot hagyhasson a csatlakozó retesze és gerince között a forgószem számára.
 - 3. Adja hozzá a második SRD-t a hármass hatású karabineren:** Csúsztassa rá az SRD forgószemét (F) a csatlakozó bütykére (E).
 - 4. Fűzze át a hármass hatású karabinert a D-gyűrűn:** Vezesse át a csatlakozó bütykét (E) a hasi D-gyűrűn (A). Addig forgassa el a csatlakozót a D-gyűrűn keresztül, amíg a retesz nem zárható.
 - 5. Zárja be a hármass hatású karabinert:** Tegye lehetővé, hogy a retesz (D) zárt állásba fordulhasson, a rögzítőhüvely (C) pedig visszafordulhasson a zárt helyzetbe.
- 4.8. VÍZSZINTES RENDSZEREK:** Olyan alkalmazásoknál, ahol az SRD-t egy vízszintes rendszerrel együtt használják (azaz vízszintes mentőkötél, vízszintes I-gerendák kocsija), az SRD és a vízszintes rendszer elemeinek kompatibilisnek kell lenniük. A vízszintes rendszereket képesített mérnök felügyelete alatt kell megtervezni és felszerelni. A részleteket illetően tanulmányozza a vízszintes rendszer berendezéseire vonatkozó gyártói utasításokat.

A 4. ábrán a zuhanási térre vonatkozó értékek az egy merev, álló helyzetű kikötési ponthoz történő kikötésen alapulnak, és nem vonatkoznak az egy vízszintes mentőköteles (HLL) rendszerhez történő kikötésre. Tanulmányozza a HLL használati utasítását és a HLL telepítőt, ha meg kívánja határozni a szükséges zuhanási teret.

5.0. Ellenőrzés

5.1. RFID-CÍMKE: Az önvisszahúzó eszközhöz tartozik egy rádiófrekvenciás azonosító (RFID) címke is (lásd a 17. ábrát). Az RFID-címke a kézi leolvasó eszközzel és a webalapú portállal együtt alkalmazható az ellenőrzésnek és a leltározásnak az egyszerűsítésére, valamint arra, hogy nyilvántartást kínáljon a zuhanásvédelmi berendezésekhez. A részletek megtekintéséhez forduljon a 3M ügyfélszolgálatához (lásd a hátsó borítót). Kövesse a kézi leolvasóhoz mellékelt vagy a webportálon található utasításokat azzal kapcsolatban, hogyan kell saját adatait továbbítani a webes naplóba.

5.2. AZ ELLENŐRZÉS GYAKORISÁGA: Az önvisszahúzó eszközt a 2. részben meghatározottak szerinti időközönként ellenőrizni kell. Az ellenőrzési eljárások leírása az „ellenőrzési és karbantartási naplóban” található (3. táblázat).

A rendkívüli munkakörülmények (barátságtalan környezet, huzamosabb használat stb.) megkövetelheti az ellenőrzések gyakoriságának növelését (lásd a 2. táblázatot).

5.3. NEM BIZTONSÁGOS VAGY HIÁNYOS KÖRÜLMÉNYEK: Ha az ellenőrzés nem biztonságos vagy hiányos körülményeket tár fel, azonnal szüntesse meg az SRD használatát, és dobja ki azt (lásd a6. részt).

Csak a 3M vagy az írásban meghatározott felek végezhetnek javítást ezen a berendezésen.

5.4. A TERMÉK ÉLETTARTAMA: A 3M önvisszahúzó eszközeinek üzemi élettartamát a munkakörülmények és a karbantartás határozza meg. Mindaddig, amíg a termék megfelel az ellenőrzési kritériumoknak, az használható (a termék maximális élettartamán belül). A textil mentőkötelekkel ellátott SRD maximális élettartama nem több mint 10 év a gyártás időpontjától számítva.

6.0. KARBANTARTÁS, HASZNÁLAT és TÁROLÁS

6.1. TISZTÍTÁS: Az SRD esetében a tisztítási eljárások a következők:

- Időnként tisztítsa meg az SRD külső felületét vízzel és enyhe szappanos oldattal. Úgy helyezze el az SRD-t, hogy a felesleges víz kifolyhasson. Szükség szerint tisztítsa meg a címkéket.
- Tisztítsa meg a szövet mentőkötelet vízzel és enyhe szappanos oldattal. Öblítse le, majd alaposan szárítsa meg levegőn. Ne próbálja hőhatás segítségével felgyorsítani a száradási folyamatot. A mentőkötélnek száraznak kell lennie, mielőtt visszahúzódik a házba. A piszok, festék stb. felgyülemelése meggátolhatja a mentőkötél teljes visszahúzódnását a házba, ami zuhanásveszélyt idéz elő.

6.2. SZERVIZELÉS: Az SRD-k nem javíthatók. Ha az SRD zuhanási erőhatásnak lett kitéve, vagy ha az ellenőrzés során nem biztonságos, illetve hiányos körülményekre derült fény, az SRD-t azonnal használaton kívül kell helyezni és ki kell dobni (lásd itt: „Ártalmatlanítás”).

6.3. TÁROLÁS/SZÁLLÍTÁS: Az SRD-eket hűvös, száraz, tiszta környezetben, közvetlen napfény hatásától távol kell tárolni és szállítani. Kerülendő az olyan területek, ahol esetleg vegyi anyagok gőze van jelen. Huzamosabb tárolás után alaposan ellenőrizni kell az SRD-t.

6.4. ÁRTALMATLANÍTÁS: Az SRD-t ki kell dobni, ha az zuhanásgátló erőhatásnak volt kitéve, illetve amennyiben az ellenőrzés nem biztonságos vagy hiányos körülményeket tár fel. Az SRD ártalmatlanítása előtt ketté kell vágni a mentőkötelet, vagy más módon kell az SRD-t használhatatlanná tenni, hogy véletlenszerű újbóli használatának a lehetőségét kiküszöbölhessék.

7.0. Címkék

A 22. ábrán láthatók az önvisszahúzó eszközökön elhelyezett címkék és azok helye. Minden címkének rajta kell lennie az SRD-n. A címkéket ki kell cserélni, ha azok nem olvashatók maradéktalanul. A címkéken látható piktogramok meghatározása a következő:

1	Ellenőrizze a biztonsági horgot és az ütészjelzőt
2	Ellenőrizze az SRL reteszelő hatását
3	Az SRL a hevederzethez történő csatlakoztatásának helyes módja
4	Az éles szegélyekre nem hitelesített. Csatlakoztatható a hasi D-gyűrű feletti, alatti vagy azzal egy szintben lévő kikötési ponthoz (legfeljebb 140 kg).
5	Használhatósági tartomány a hőmérséklet szempontjából: -40 °C – +60 °C
6	Maximális kapacitás: 140 kg
7	Mindig tegye lehetővé, hogy a mentőkötél ellenőrzés alatt ugorjon vissza az SRL-be
8	Ne javítsa
9	Tárolja hűvös, száraz, tiszta környezetben; közvetlen napfénytől védve.
10	Ne terhelje szélek felett
11	Ne távolítsa el a címkét

3. táblázat – Ellenőrzési és karbantartási napló

Sorozatszám(ok):		Vásárlás dátuma:	
Modellszám:		Első használat dátuma:	
Ellenőrzés dátuma:		Ellenőrizte:	
Alkatrész:	Ellenőrzés: <small>(Az ellenőrzés gyakoriságához lásd a 2. fejezetet)</small>	Megfelelt	Nem felelt meg
SRD (18. ábra)	Ellenőrizze a meglazult rögzítőelemeket és az elhajlott vagy sérült alkatrészeket.	<input type="checkbox"/>	<input type="checkbox"/>
	Ellenőrizze, hogy nincs-e elferdülve, megrepedve vagy más módon károsodva a ház (A).	<input type="checkbox"/>	<input type="checkbox"/>
	Ellenőrizze, hogy nincs-e elferdülve, megrepedve vagy más módon károsodva a forgórész (B) és a forgószem (C) vagy a beépített csatlakozó (D). A forgórészt biztonságosan az SRL-hez kell erősíteni, de szabad forgást kell neki biztosítani. A forgószemnek vagy a beépített csatlakozónak szabadon kell forognia a forgórészen.	<input type="checkbox"/>	<input type="checkbox"/>
	A szövet mentőkötélnek (E) teljesen ki kell jönnie és vissza kell húzódnia, bármiféle bizonytalankodás nélkül vagy anélkül, hogy a kötélnél holtjátékot jelentő körülményeket teremtene.	<input type="checkbox"/>	<input type="checkbox"/>
	Ellenőrizze, hogy az SRD retesz-el-e, ha a mentőkötél hirtelen megrándul. Biztos, csúszásmentes lezárásnak kell bekövetkeznie.	<input type="checkbox"/>	<input type="checkbox"/>
	Valamennyi címkének meg kell lennie, és teljesen olvashatóknak kell lennie (lásd a 20. ábrát).	<input type="checkbox"/>	<input type="checkbox"/>
	Ellenőrizze az egész SRD-t a korróziós jelek szempontjából.	<input type="checkbox"/>	<input type="checkbox"/>
Végcsatlakozók (19. ábra)	A 2. táblázat segítségével azonosíthatók azok a végcsatlakozók, amelyeknek a Nano-Lok SRD modell részét kell képezniük. Ellenőrizze a biztonsági horgokat, a karabinert, a betonvas horgokat stb., hogy vannak-e rajtuk sérülés, korrózió jelei, illetve megfelelő állapotban vannak-e a használathoz. Az alábbi alkatrészek megléte esetén: A reteszeknek nyitniuk, zárniuk, reteszelniük és megfelelően kireteszelődniük kell, a zárógomboknak és a zárócsapoknak pedig megfelelően kell működniük.	<input type="checkbox"/>	<input type="checkbox"/>
Szövet mentőkötél (20. ábra)	Ellenőrizze a szövetet: az anyag nem lehet bevágva (A), kirojtozódva (B), és nem tartalmazhat szakadt szálakat. Ellenőrizze, hogy nem található-e rajtuk szakadás, kidörzsölődés, nagyfokú szennyeződés (C), penészesedés, égési nyom (D) vagy elszíneződés. Ellenőrizze a varratokat; ellenőrizze, hogy nem tartalmaznak-e kihúzódt vagy szakadt öltéseket. A szakadt öltések azt jelezhetik, hogy a hevederzet zuhanásgátlás miatti üttöterhelésnek lett kitéve, ezért használaton kívül kell helyezni.	<input type="checkbox"/>	<input type="checkbox"/>
Energiaelnyelő (21. ábra)	Ellenőrizze, hogy a beépített energiaelnyelő nem lett-e működésbe hozva. A működésbe hozott energiaelnyelő jelei: nyitott vagy repedt fedél (A), a fedélből kihúzódt, szakadt vagy rojtos szövet (B), valamint szakadt varrat stb.	<input type="checkbox"/>	<input type="checkbox"/>
Helyesbítő tevékenység/karbantartás:		Jóváhagyta:	
		Dátum:	
Helyesbítő tevékenység/Karbantartás:		Jóváhagyta:	
		Dátum:	
Helyesbítő tevékenység/Karbantartás:		Jóváhagyta:	
		Dátum:	
Helyesbítő tevékenység/Karbantartás:		Jóváhagyta:	
		Dátum:	
Helyesbítő tevékenység/Karbantartás:		Jóváhagyta:	
		Dátum:	
Helyesbítő tevékenység/Karbantartás:		Jóváhagyta:	
		Dátum:	
Helyesbítő tevékenység/Karbantartás:		Jóváhagyta:	
		Dátum:	

Vinsamlegast lestu, meðtaktu og fylgdu öllum öryggisupplýsingum sem eru í þessum leiðbeiningum áður en þessi sjálfinnþranganlegi búnaður (Self-Retracting Device-SRD) er notaður. EF LEIÐBEININGUM ÞESSUM ER EKKI FYLGT EFTIR, GETUR ÞAÐ VALDIÐ ALVARLEGUM MEIÐSLUM, LÍKAMSTJÓNI EÐA DAUÐA.

Leiðbeiningar þessar verður að afhenda notanda þessa búnaðar. Geymdu þessar leiðbeiningar til að styðjast við í framtíðinni.

Ábent notkun:

Þessi SRD-búnaður er ætlaður til notkunar sem hluti af fullkomnu persónulegu fallvarnarkerfi.

Öll önnur notkun, þ.m.t., en takmarkast ekki við, meðhöndlun efna, notkun í afþreyingar- eða íþróttaskyni eða önnur notkun sem ekki er lýst í notendaleiðbeiningunum, er ekki samþykkt af 3M og gæti valdið alvarlegum meiðslum eða dauða.

Einungis þjálfaðir notendur á vinnustað skulu nota þennan búnað.

! VIÐVÖRUN

Þessi SRD-búnaður er hluti af persónulegu fallvarnarkerfi. Ætlast er til að allir notendur séu fullþjálfaðir í öruggri uppsetningu og notkun þeirra eigin fallvarnarkerfis. **Röng notkun þessa búnaðar getur valdið alvarlegum meiðslum eða dauða.** Fyrir rétt val, notkun, viðhald og þjónustu sem snertir búnaðinn skaltu lesa þessar notendaleiðbeiningar og allar ráðleggingar framleiðanda, ræða við yfirmann þinn eða hafa samband við tæknilega þjónustu hjá 3M (3M Technical Services).

- **Til að minnka áhættuna sem fylgir því að starfa með SRD-búnaði sem gæti, ef ekki er komið í veg fyrir slíka áhættu og fall, valdið alvarlegu líkamstjóni eða dauða:**
 - Fyrir sérhverja notkun skal skoða SRD-búnaðinn og athuga hvort læsingar virka og hvort búnaðurinn dregst sjálfkrafa til baka.
 - Ef skoðunin leiðir í ljós óöruggt ástand eða galla skal taka búnaðinn úr umferð og gera við hann eða endurnýja í samræmi við notendaleiðbeiningarnar.
 - Ef SRD-búnaðurinn hefur stöðvað fall eða orðið fyrir miklu kraftálagi, skal strax taka SRD-búnaðinn úr notkun og merkja búnaðinn með merkingunni 'ÓNÓTHÆFUR'.
 - Tryggðu að líflínunni sé haldið lausri við allar hindranir, þ.m.t. en ekki takmarkað við að línan festist í vélum eða tækjum sem eru á hreyfingu (t.d. toppdrifinu á olíuborþöllum), flækist í öðrum starfsmönnum, flækist í þér sjálfum, í hlutum sem eru í kring eða verði fyrir hlutum sem geta fallið að ofan á líflínuna eða á starfsmanninn.
 - Aldrei skal hafa slaka á líflínunni. Ekki skal binda hnút á líflínuna.
 - Festa skal ónotaðan fót eða fætur dragreipisins við SDR-búnaðinn á beltinu ef slíkt fylgir.
 - Ekki skal nota búnaðinn við aðstæður þar sem fall getur ekki átt sér stað vegna hindrana. Að vinna í efni sem rennur hægt, eins og í sandi eða korni eða vinna í lokuðu rými eða þröngu rými getur skapað aðstæður þar sem fall starfsmanns nær ekki nægum hraða til að SRD-búnaðurinn læsist. Greið leið er nauðsynleg til að tryggja jákvæða læsingu á SRD-búnaðinum.
 - Forðast skal snöggar eða hraðar hreyfingar við venjulega vinnu. Slíkt getur valdið því að búnaðurinn læsist.
 - Tryggja skal að öll fallvarnarkerfi/undirkerfi sem eru samsett úr íhlutum mismunandi framleiðenda séu samhæfð og mæti kröfum viðeigandi staðla, þ.m.t. staðlinum ANSI Z359 eða öðrum viðeigandi fallvarnarkóðum, stöðlum eða kröfum. Alltaf skal ráðfæra sig við hæfan og/eða vottaðan aðila, áður en þessi kerfi eru notuð.
- **TÆKI MEÐ SEGUL) Forðast skal að vera nálægt fólki sem er með ígrædda málmhluti í sérFarga skal notuðum rafhlöðum tafarlaust**
 - **Til að minnka áhættuna sem fylgir því að starfa hátt uppi, sem gæti, ef ekki er komið í veg fyrir það, valdið alvarlegu líkamstjóni eða dauða:**
 - Tryggðu að heilsa þín og líkamlegt ástand geri þér örugglega kleift að þola allt það álag sem fylgir því að starfa hátt uppi. Ráðfærðu þig við lækni ef þú ert með einhverjar spurningar varðandi hæfni þína til að nota þennan búnað.
 - Aldrei skal fara yfir leyfilega getu fallvarnarbúnaðarins.
 - Aldrei skal fara umfram hámarkslengd frjáls falls sem fallvarnarbúnaðurinn leyfir.
 - Ekki nota neinn fallvarnarbúnað sem bilar við prófun eða við eftirlit, eða ef þú hefur áhyggjur af notkun búnaðarins eða telur að hann henti ekki í það verk sem er fyrir höndum. Hafðu samband við tæknilega þjónustu 3M ef þú ert með einhverjar spurningar.
 - Sum undirkerfi og samsetningar íhluta geta truflað notkun þessa búnaðar. Einungis skal nota tengingar sem eru samhæfðar við þennan búnað. Ráðfærðu þig við 3M fyrir notkun þessa búnaðar með íhlutum eða undirkerfum sem eru frábrugðin þeim kerfum sem er lýst í notendaleiðbeiningunum.
 - Nota skal auka varúðarráðstafanir þegar verið er að vinna nálægt tækjabúnaði sem er á hreyfingu (t.d. á olíuborþöllum), nálægt rafmagnshættu, við mjög hátt eða lágt hitastig, við efnahættu, þar sem sprengihætta er eða hættulegar gastegundir, þar sem eru skarpar brúnir, eða þar sem unnið er undir hlutum sem gætu fallið á þig eða á fallvarnarbúnaðinn sjálfan.
 - Notaðu Arc Flash- eða Hot Works-búnað þegar þú vinnur í mjög heitu umhverfi.
 - Forðastu yfirborðsfleti og hluti sem geta skaðað notandann eða búnaðinn.
 - Tryggðu að það sé viðeigandi pláss til að falla þegar þú vinnur hátt uppi.
 - Aldrei breyta eða umbreyta fallvarnarbúnaðinum. Einungis 3M eða aðilar sem hafa skriflegt umboð frá 3M mega gera við þennan búnað.
 - Fyrir notkun fallvarnarbúnaðar skal tryggja að neyðaráætlun sé til um það hvernig bregðast skuli samstundis við ef fall eða slys á sér stað.
 - Ef fall á sér stað skal tafarlaust leita læknishjálpar fyrir starfsmanninn sem fallið hefur.
 - Ekki skal nota venjulegt líkamsbelti til að stöðva fall. Einungis skal nota líkamsöryggisbelti til að stöðva fall.
 - Lágmarka skal sveiflur með því að vinna eins beint fyrir neðan festipunktinn og mögulegt er.
 - Ef þjálfun fer fram með þessum búnaði verður að nota annað fallvarnarkerfi þannig að sá sem er í þjálfun sé ekki í hættu við að falla óvart til jarðar.
 - Alltaf skal nota viðeigandi persónuhlífar þegar verið er að setja upp, nota eða hafa eftirlit með búnaðinum/kerfinu.

Fyrir notkun búnaðarins skal skrá auðkennisupplýsingar búnaðarins sem eru í „Eftirlits- og viðhaldsskrá“ á bakhlið handbókarinnar.

LÝSING:

Mynd 2 sýnir lykilhúta 3M™ DBI-SALA® Nano-Lok-sjálfinndraganlegan búnað (Self-Retracting Devices - SRD). Nano-Lok SRD er keflavafin líflína (A) með orkugleypi (höggdeyfingu) í línu (B) sem dregst inn í nælonhús (C). Snúningsauga (D) ofan á húsinu auðveldar festingu við gildan festipunkt með karabínu (E) eða uppsetningu á líkamsöryggisbelti með tengi öryggisbeltis (F). Mynd 1 sýnir fánlegar gerðir Nano-Lok og tengiuppsetningar þeirra. Í töflu 1 er að finna tæknilýsingu fyrir Nano-Lok SRD og tengi.

Tafla 1 – Tæknilýsing

Tæknilýsing íhluta:

SRL hús	Nælon
Kefli	Nælon
Innri íhlutir	Ryðfrítt stál, ál
Líflína	Dyneema pólyester
Orkugleypir (höggdeyfing)	Hlíf: Nitrilgúmmí, Vefnaður: Pólyester, Saumur: Pólyester- eða nælonþráður
Segunagli	Sínkhúðað stál

Tæknilýsing tengis:

	Lýsing	Efni	Op hliðs	Styrkleiki hliðs	Togstyrkur
①	Snúningsauga	Stál	22,35 mm (0,88 tommur) innra þvermál	X	22,2 kN (5000 pund)
②	Karabína	Ál	19 mm (3/4 tommur)	16 kN (3600 pund)	22,2 kN (5000 pund)
③	Karabína	Stál	19 mm (3/4 tommur)	16 kN (3600 pund)	22,2 kN (5000 pund)
④	Einfalt SRD tengi	Stál	51 mm (2 tommur)	16 kN (3600 pund)	22,2 kN (5000 pund)
⑤	Tvöfalt SRD tengi	Stál m/næloninnfellingu	19 mm (3/4 tommur)	16 kN (3600 pund)	22,2 kN (5000 pund)
⑥	Karabína	Ál, stál	56 mm (2,19 tommur)	16 kN (3600 pund)	22,2 kN (5000 pund)
⑦	Karabína	Ál	19 mm (3/4 tommur)	16 kN (3600 pund)	22,2 kN (5000 pund)
⑧	Styrktur krókur	Ál	57 mm (2-1/4 tommur)	16 kN (3600 pund)	22,2 kN (5000 pund)
⑨	Styrktur krókur	Ál	63 mm (2-1/2 tommur)	16 kN (3600 pund)	22,2 kN (5000 pund)
⑩	Karabína	Ál	52 mm (2 tommur)	16 kN (3600 pund)	22,2 kN (5000 pund)
⑪	Styrktur krókur	Ál, stál	63 mm (2-1/2 tommur)	16 kN (3600 pund)	22,2 kN (5000 pund)
⑫	Karabína	Stál	19 mm (3/4 tommur)	16 kN (3600 pund)	22,2 kN (5000 pund)
⑬	Styrktur krókur	Ál	57 mm (2-1/4 tommur)	16 kN (3600 pund)	22,2 kN (5000 pund)
⑭	Smellukrókur	Stál	19 mm (3/4 tommur)	16 kN (3600 pund)	22,2 kN (5000 pund)

Tæknilýsing frammistöðu:

Tæknilýsingar SRL (lóðrétt)	CE gerðir	
Getusvið Afkastavið	59 kg - 100 kg (130 pund - 220 pund)	100 kg - 140 kg (220 pund - 310 pund)
Hámarks höggálag	6 kN (1350 pund)	6 kN (1350 pund)
Meðal höggálag	4 kN (900 pund)	4 kN (900 pund)
Yfirlýst hámarks höggfjarlægð¹	0,61 m (24 tommur)	0,61 m (24 tommur)
Nauðsynlegt lágmarks fallbil¹	1,5 m (5 fet)	1,8 m (5,8 fet)
Hámarks frjálst fall²	1,5 m (5 fet)	1,5 m (5 fet)

1 - Gert er ráð fyrir að SRL sé uppsett beint uppi yfir (fyrir ofan) endanlegan notanda.

2 - Mælt frá D-hring að göngu-/vinnuflæti. Kynntu þér töflu(r) fyrir fallbil til að fá frekari upplýsingar.

1.0 NOTKUN

- 1.1 TILGANGUR:** Sjálfinnþranganlegur búnaður (Self-Retracting Device-SDR) er hannaður til að vera hluti af fallvarnarkerfi þínu (PFAS). Mynd 1 sýnir þann SRD-búnað sem þessar notkunarleiðbeiningar ná til. Búnaðurinn getur verið notaður við flestar aðstæður þar sem þörf er á hreyfanleika starfsmanna og fallvörn (t.d. skoðunarvinnu, almenna byggingavinnu, viðhaldsvinnu, olíuvinnslu, vinnu í lokuðu rými o.s.frv.).
- 1.2 STAÐLAR:** Þessi SRD-búnaður er í samræmi við innlenda og svæðisbundna staðla eða staðla sem finna má á forsiðu þessara leiðbeininga. Kynntu þér staðbundnar kröfur varðandi öryggi á vinnustað (OSHA-leiðbeiningar) til að fá frekari upplýsingar um persónulega fallstöðvun.
- 1.3 ÞJÁLFUN:** Þessi búnaður er ætlaður til notkunar af aðilum sem hafa hlotið þjálfun í réttri notkun hans. Það er á ábyrgð notanda að tryggja að þeir þekki þessar leiðbeiningar og hafi fengið þjálfun í réttri umhirðu og notkun þessa búnaðar. Notendur verða einnig að skilja eiginleika búnaðarins við notkun, takmarkanir hans, og hvaða afleiðingar það getur haft að nota hann á rangan hátt.
- 1.4 TAKMARKANIR:** Ávallt skal hafa í huga eftirfarandi takmarkanir við uppsetningu eða notkun þessa búnaðar.

- **Geta búnaðarins:** SRD-búnaður er til notkunar fyrir einn aðila sem er með samanlagða þyngd (fatnaður, verkfæri o.s.frv.) innan þyngdarsviðs sem tilgreint er á mynd 1. Tryggðu að allir íhlutar kerfisins séu með næga getu til að mæta þeirri notkun sem fyrirhuguð er.
- **Festingar:** Festing SRD-búnaðarins verður að geta þolað álag allt að 12 kN (1348 kg/2.697 pund). Festingarbúnaður verður að uppfylla staðal EN795 eða aðra viðeigandi staðla um festingartengingar.
- **Láshraði:** Forðast skal aðstæður sem leyfa ekki greiða og óhindraða fallleið. Ef unnið er í lokuðu eða þröngu rými eða á hallandi fleti getur það orðið til þess að líkaminn nái ekki fullnægjandi hraða til að framkalla læsingu á SRD-búnaðinum ef fall á sér stað. Ef unnið er með efni sem hreyfist hægt, til dæmis sandur eða korn, kann ekki nægur hraði að myndast til að valda því að SRD-búnaðurinn læsist. Greið leið er nauðsynleg til að tryggja jákvæða læsingu á SRD-búnaðinum.
- **Frjálst fall:** Þegar búnaðurinn er festur fyrir ofan starfsmann, takmarkar hann fallvegalengd niður í 0,6 m (2 fet)¹. Til að forðast langar falllengdir skal festa SRD-búnaðinn beint fyrir ofan vinnusvæðið. Aldrei skal festa SRD-búnaðinn við festingu sem getur skapað frjálst fall lengra en 1,5 m (5 fet). Forðast skal að vinna þar sem líflínan getur þverað eða flækt við líflínu annars starfsmanns. Forðast skal að vinna við aðstæður þar sem hlutur getur fallið á eða valdið höggi á líflínuna. Slíkt getur valdið falli og tjóni á líflínunni. Ekki láta líflínuna fara undir hendur eða á milli fóta. Aldrei skal klemma, binda hnút á eða koma í veg fyrir að líflínan geti dregist saman eða strekkst. Forðast skal slaka á línunni. **Ekki lengja SDR-búnaðinn með því að tengja dragreiði, orkugleypi eða álíka íhlut án þess að ráðfæra þig við 3M.**
- **Sveiflufall:** Sveiflufall á sér stað þegar festipunktur er beint fyrir ofan þann punkt þar sem fall á sér stað. Kraftur þess að lenda á hlut við sveiflufall getur valdið alvarlegu líkamstjóni eða dauða (sjá mynd 3A). Lágmarka skal sveiflur með því að vinna eins beint fyrir neðan festipunktinn og mögulegt er (sjá mynd 3B). Að vinna langt frá festipunktinum (mynd 3C) getur aukið hættuna á sveiflufalli og aukið það svæði sem þarf til að stöðva fall (Fall Clearance-FC).
- **Fjarlægð frá hindrunum við fall:** Mynd 3B sýnir útreikninga á fallstöðvun. Fjarlægð frá hindrunum við fall (FC) er summan af frjálsum falli (Free fall-FF), fjarlægð sem þarf til að hægja á falli (Deceleration Distance-DD) og öryggisstuðli (Safety Factor-SF): $FC = FF + DD + SF$. D-hringurinn og teygjanleiki líflínunnar eru innifalin í öryggisstuðlinum (SF). Gildi fyrir fjarlægð frá hindrunum við fall hafa verið reiknuð út og eru sett í töflu á mynd 4. Öryggisstuðull upp á 1 m (3.28 fet) var notuð fyrir öll gildi á mynd 4.

Mynd 4 sýnir fjarlægð frá hindrunum við fall (FC) sem byggir á láréttri og lóðréttri fjarlægð á milli baklægrar SRD-tengingar og festingarpunktinum. Sérhver lárétt lína á línuritinu táknar lóðrétt fjarlægð frá festingarpunktinum. Gildin fyrir stærð svæðis fyrir fjarlægð frá hindrunum við fall eru fundin með því að skoða það svæði (fleygbogalínur) þar sem láréttu og lóðréttu línurnar skerast. Dæmið á mynd 4 sýnir hvernig skal ákvarða gildin fyrir nauðsynlega stærð svæðis sem þarf að vera laust við hindranir fyrir uppgefnar lóðréttar og láréttar fjarlægðir.

Breytilegir festingarpunktar: Fjarlægð frá hindrunum við fall á mynd 4 byggir á stífum, föstum festingarpunkti sem breytist ekki. Ef festingin er tengd við lárétta líflínu (Horizontal Lifeline-HLL) eða festingu sem hreyfist, rennur eða afmyndast við fall, eiga gildin á mynd 4 ekki lengur við. Sjá sérstakar leiðbeiningar um lárétta líflínu (HLL) eða um festingar til að fá viðbótar upplýsingar um fjarlægð frá hindrunum við fall, hvað getur gerst ef festing rennur til eða/og hún afmyndast.

Að krjúpa eða beygja sig niður: Línuritin á mynd 4 gera ráð fyrir því að starfsmaður standi við vinnu sína. Ef starfsmaður krjúpur eða beygir sig niður þarf viðbótar 0,9 metra (3 fet) fjarlægðarsvæði án hindrana við fall.

Aldrei skal festa festinguna fyrir neðan fætur starfsmanns: Aldrei skal tengja við festingarpunkt fyrir neðan fætur þína.

- **Hættur:** Notkun þessa búnaðar á svæðum með umhverfishættu getur krafist viðbótarráðstafa til að draga úr líkunum á meiðsli á notendum eða skemmdir á búnaði. Hættur geta verið, en takmarkast ekki við: háir hiti, ætandi efni, ætandi umhverfi, háspennulínur, sprengifimar eða eitraðar lofttegundir, vélbúnaður á hreyfingu, skarpar brúnir eða efni fyrir ofan sem getur fallið á eða komist í snertingu við notandann eða fallstöðvunarkerfið. Forðastu vinnu þar sem líflínan getur þverað eða flækt við líflínu annars starfsmanns. Forðastu vinnu þar sem hlutur getur fallið eða lent á líflínunni, verður til þess að jafnvægi fer úr skorðum eða skemmir líflínuna. Ekki láta líflínuna fara upp undir handarkrika eða á milli fóta.
- **Skarpar brúnir:** Skarpar brúnir sem SRD-búnaðurinn getur komist í snertingu við í falli verður að hafa lágmarks ríðisupplýsingar um hvernig skal ákvarða gildin fyrir nauðsynlega stærð svæðis sem þarf að vera laust við hindranir fyrir uppgefnar lóðréttar og láréttar fjarlægðir.

¹ **Frjálst fall:** Rétt notkun SRD-búnaðarins þar sem notandinn vinnur beint fyrir neðan festinguna og þar sem enginn slaki er á líflínunni kemur í veg fyrir frjálst fall. Sjá mynd 4 til að sjá leyfilegar staðsetningar festinga.

2.0 Notkun kerfis

- 2.1 FALLVARNAR- OG BJÖRGUNARÁÆTLUN:** Vinnuveitandinn verður að búa yfir fallvarnar- og björgunaráætlun. Áætlunin ætti að veita viðmið og kröfur fyrir fallvarnaráætlun í umsjón vinnuveitanda, þar á meðal reglur, skyldur og þjálfun, fallvarnarverklag, útilokun og stjórnun á fallhættu, björgunarverklag, rannsókn á atvikum og mat á skilvirkni áætlunar.
- 2.2 EFTIRLITSTÍÐNI:** SRD-búnaður skal skoðaður af viðurkenndum aðila¹ eða björgunarsveitarmanni² fyrir sérhverja notkun (sjá töflu 3). Skoðanir skulu að auki fara fram af hæfum aðila³ öðrum en notandanum. Erfiðar vinnuaðstæður (óblítt umhverfi, langvarandi notkun, o.s.frv.) geta gert kröfu um tíðari skoðanir hæfs aðila. Hæfi aðilinn skal nota *Eftirlitsáætlun (tafla 2)* til að ákvarða hversu oft eftirlit þarf að fara fram. Eftirlitsferli er lýst í „Eftirlits- og viðhaldsskrá“ (tafla 3). Niðurstöður skoðunar hæfs aðila þarf að skrá í „Eftirlits- og viðhaldsskrá“ eða í fjarskiptatíðnikerfinu (Radio Frequency Identification-RFID) (sjá kafla 5).
- 2.3 VENJULEG NOTKUN BÚNAÐARINS:** Venjuleg notkun búnaðarins leyfir líflínunni að strekkjast og dragast saman án hiks eða slaka eftir því sem starfsmaður vinnur á eðlilegum hraða. Ef fall á sér stað virkjast hraðaskynjandi bremsukerfi, sem stöðvar fallið og tekur á sig mest af orkunni sem skapast. Forðast skal snöggar og hraðar hreyfingar við venjulega vinnu, þar sem slíkt getur valdið því að SRD-búnaðurinn læsist. Ef fall á sér stað nálægt enda líflínunnar, grípur innbyggða vara líflínukerfið eða orkugleypiskerfið inn í til að draga úr afli og stöðva fall.
- 2.4 LÍKAMSSTUÐNINGUR:** Nota skal fullbúið líkamsöryggisbelti með SRD-búnaðinum. Tengipunktur öryggisbeltisins verður að vera fyrir ofan þyngdarmiðju notandans. Annars konar beltis eru ekki samþykkt til notkunar með SRD-búnaðinum. Ef fall á sér stað við notkun annars konar beltis kann það fyrir slysi að valda losun eða líkamlegu höggi vegna óviðeigandi líkamsstuðnings.
- 2.5 SAMHÆFI ÍHLUTA:** Ef annað er ekki tekið fram er 3M búnaður hannaður til notkunar með 3M-samþykktum íhlutum og undirkerfum. Skiptingar eða endurnýjanir sem fara fram með íhlutum eða undirkerfum sem eru ekki samþykkt geta komið í veg fyrir samhæfi búnaðarins og geta haft áhrif á öryggi og áreiðanleika heildarkerfisins.
- 2.6 SAMHÆFI TENGJA:** Tengi eru talin samhæf við tengihluta þegar þau hafa verið hönnuð til að vinna saman þannig að stærðir þeirra og lögun valda því ekki að hliðarbúnaður þeirra opnast fyrir slysi, óháð því hvernig þau eru stillt. Hafðu samband við 3M ef þú ert með einhverjar spurningar um samhæfi. Tengi (krókar, karabínur og D-hringir) verða að geta stutt að minnsta kosti 22,2 kN (2.500 kg/5.000 pund). Tengi verða að vera samhæf festingunni eða öðrum íhlutum kerfisins. Ekki nota búnað sem er ekki samhæfur. Tengi sem eru ósamhæf geta losnað fyrir slysi (sjá mynd 5). Tengi verða að vera samhæf að stærð, lögun og styrkleika. Sjálflesandi smellukróa og karabína er krafist. Ef tengihluti sem smellukróa eða karabína er fest við er of lítill eða er óreglulegur að lögun, gæti ástand komið upp þar sem tengihlutinn beitir afli á hlið smellukróksins eða karabínunnar (A). Þetta afl getur valdið því að hliðið opnast (B) og að smellukrókurinn eða karabínan losnar frá tengipunktinum (C).
- 2.7 TENGING FRAMKVÆMD:** Aðeins skal nota sjálflesandi smellukróa og karabínur með þessum búnaði. Tryggðu að öll tengi séu samhæf að stærð, lögun og styrkleika. Ekki nota búnað sem er ekki samhæfur. Tryggðu að öll tengi séu lokuð að fullu og læst. Tengi 3M (smellukróa og karabínur) eru aðeins ætluð til notkunar eins og tilgreint er í notkunarleiðbeiningum hverrar vöru. Á mynd 6 má sjá dæmi um ranga tengingu.

Ekki tengja smellukróa og karabínur:

- Við D-hring sem annað tengi er fest við.
- Á þann hátt sem mundi orsaka álag á hliðið. Stóra smellukróa ætti ekki að tengja við D-hringi af hefðbundinni stærð eða álíka hluti sem mun orsaka álag á hliðið ef krókurinn eða D-hringurinn snýst, nema smellukrókurinn sé búinn 16 kN (1.633 kg/3.600 punda) hliði.
- Við falsa tengingu, þegar stærð og lögun pöruntengja eru ekki samhæf, og án sýnilegrar staðfestingar og virðast vera að fullu fastir við festipunktinn.
- Við hvorn annan.
- Beint við belti eða dragreipi eða festingu (nema leiðbeiningar framleiðanda fyrir dragreipi og tengi heimili slíka tengingu).
- Við hlut sem er að lögun eða stærð þannig að smellukrókurinn eða karabínan lokast ekki og læsist, eða getur rúllað af.
- Á þann hátt sem hindrar það að tengið samstillist rétt undir álagi.

Tafla 2 - Eftirlits- og viðhaldsáætlun

Tegund notkunar	Dæmi um notkun	Aðstæður við notkun	Eftirlitstíðni
			Hæfur aðili
Sjaldan í ljósi	Björgun og lokuð rými, viðhald í verksmiðju	Góðar geymsluaðstæður, notkun innandyrna eða utandyra, við stofuhita, hreinlegt umhverfi	Árlega
Miðlungs eða mikil	Flutningur, byggingar íbúðahúsnæðis, bjargir, vöruhús	Góðar geymsluaðstæður, notkun innan og utandyra, allskyns hitastig, hreint eða rykugt umhverfi	Á hálfis árs fresti eða árlega
Mjög mikil eða stöðug	Byggingariðnaður, olía og gas, námavinnsla	Erfiðar geymsluaðstæður, löng eða stöðug notkun utandyra, allskyns hitastig, óhreint umhverfi	Ársfjórðungslega eða á hálfis árs fresti

1 Viðurkenndur aðili: Aðili sem er skipaður af vinnuveitanda til að fullnægja skyldum á vinnustað þar sem aðili getur verið í fallhættu.

2 Björgunaraðili: Aðili eða aðilar aðrir en sá sem skal bjarga, sem starfa við að framkvæma björgun með notkun björgunarkerfa.

3 Hæfur aðili: Einstaklingur tilgreindur af vinnuveitanda til að vera ábyrgur fyrir umsjón, innleiðingu og eftirlit með fallvarnarkerfi í umsjón vinnuveitanda sem er fær um að auðkenna, meta og leysa úr núverandi og hugsanlegri fallhættu með þjálfun og þekkingu, og sem hefur heimild vinnuveitanda til að grípa til aðgerða til úrbóta varðandi slíka hættu.

3.0 Uppsetning

3.1 SKIPULAGNING: Skipuleggðu fallvarnarkerfið áður en vinna hefst. Íhugaðu alla þætti sem gætu haft áhrif á öryggi, bæði fyrir fall, á meðan að fall á sér stað og eftir fall. Taktu tillit til allra krafa og takmarkana sem teknar eru fram í hluta 2.

Við flesta notkun má tengja Nano-Lok-sjálfinndraganlega búnaðinn (Self-Retracting Device - SRD) við festingu eða aftari staðsetningu öryggisbeltis. Hægt er að tengja í báðar áttir, nema það sem tekið er fram í hluta 4.

3.2 FESTINGAR: Mynd 7 sýnir hefðbundnar SRD festingar. Veljið festistað þar sem hættan á fríu falli og sveiflufalli er sem minnst (sjá hluta 1). Veljið traustan festistað sem þolir það stöðuálag sem tekið er fram í hluta 1. Þegar festing að ofan er ekki möguleg má tengja Nano-Lok SRD-búnaðinn við festipunkt fyrir neðan með aftari D-hring notandans. Fyrir notendur sem veiga allt að 140 kg (310 pund) má festipunkturinn ekki vera meira en 5 fet (1,5 m) fyrir neðan aftari D-hring.

3.3 FESTING ÖRYGGISBELTIS: Sumar gerðir SRD eru með einfalt SRD eða tvöfalt SRD tengi öryggisbeltis fyrir uppsetningu á SRD á líkamsöryggisbelti rétt fyrir neðan aftari D-hring:

Sum líkamsöryggisbelti eru búin Personal SRD Link (PSRL Link) sem sameinar aftari D-hring við festiþætti fyrir öryggisbelti með sjálfsinndraganlegum búnaði (mynd 8). Einnig er leyfilegt að tengja SRD-búnaðinn við aftari D-hring öryggisbeltis með karabínu með smellikrök.

• **Uppsetning á stöku SRD öryggisbelti:** Ef hreyfanleiki starfsmanns skiptir öllu máli má nota tengi SRD öryggisbeltis til að festa SRD aftan á líkamsöryggibeli rétt fyrir neðan aftari D-hring (sjá mynd 9). Starfsmanninn má þá tengja við ýmiss konar festipunkta sem staðsettir eru á staðnum með enda dragreipis SRD án þess að þurfa sífellt að setja SRD aftur upp. Til að setja SRD upp á líkamsöryggisbelti með tengi SRD öryggisbeltisins:

- 1. Losaðu vefnað öryggisbeltisins:** Togaðu í ólarnar (A) þar sem þær fara í gegnum neðsta hluta aftari D-hrings (B) þar til nógu mikið pláss er til staðar til að renna tengi SRD öryggisbeltis á milli óla og hlífar D-hrings.
- 2. Opnaðu tengi öryggisbeltisins:** Þrýstu samtímis á láshnappana (C) og renndu láspinnanum (D) út.
- 3. Staðsettu SRD á tengi öryggisbeltisins:** Settu opna hlið tengis öryggisbeltisins í gegnum snúningsaugað á SRD (E). Þræddu tengið í gegnum snúningsaugu þar til SRD hangir aftan á tengi öryggisbeltisins (F).
- 4. Staðsettu tengi öryggisbeltisins í kringum ólarnar:** Staðsettu opna hlið tengis öryggisbeltisins í kringum lausu ólarnar (A).
- 5. Lokaðu tengi öryggisbeltisins:** Þrýstu láspinna tengis öryggisbeltisins (D) í gegnum lausu ólarnar (A) þar til hann læsist á gagnstæðum enda tengis. Togaðu ólarnar aftur í gegnum aftari D-hring og bakhlíf til að festa tengi öryggisbeltis.

Rauða bandið á enda hnúðs á láspinna tengis öryggisbeltis verður útsett ef tenginu er aflæst. Til að koma í veg fyrir slysalosun á tengingunni skal ávallt tryggja að tengi öryggisbeltis sé læst áður en öryggisbeltið og meðfylgjandi SRD er notað. Misbrestur á að gera svo getur valdið meiðslum eða dauða.

• **Uppsetning á tvöföldu SRD öryggisbelti:** Við klifurnotkun þegar þörf er á 100% tveggja fóta notkun má nota tengi SRD öryggisbeltisins til að festa tvö SRD hlið við hlið aftan á líkamsöryggisbeltinu rétt fyrir neðan aftari D-hringinn (sjá mynd 9) Til að setja upp tvö SRD á líkamsöryggisbelti með tengi SRD öryggisbeltis.

- 1. Losaðu vefnað öryggisbeltisins:** Togaðu í ólarnar (A) þar sem þær fara í gegnum neðsta hluta aftari D-hrings (B) þar til nógu mikið pláss er til staðar til að renna tengi SRD öryggisbeltisins á milli óla og hlífar D-hrings.
- 2. Opnaðu tengi öryggisbeltisins:** Þrýstu samtímis á láshnappana (C) og renndu láspinnanum (D) út.
- 3. Staðsettu SRD-búnaðinn á tengi öryggisbeltisins:** Settu opna hlið tengis öryggisbeltisins í gegnum snúningsaugað á hverju SRD (E). Þræddu tengið í gegnum snúningsaugu þar til SRD hanga aftan á tengi öryggisbeltis (F).
- 4. Staðsettu tengi öryggisbeltisins í kringum ólarnar:** Staðsettu opna hlið tengis öryggisbeltisins í kringum lausu ólarnar (A).
- 5. Lokaðu tengi öryggisbeltisins:** Þrýstu láspinna tengis öryggisbeltisins (D) í gegnum lausu ólarnar (A) þar til hann læsist á gagnstæðum enda tengis. Togaðu ólarnar aftur í gegnum aftari D-hring og bakhlíf til að festa tengi öryggisbeltis.

Rauða bandið á enda hnúðs á láspinna tengis öryggisbeltis verður útsett ef tenginu er aflæst. Til að koma í veg fyrir losun á tengingunni fyrir slysi skal ávallt tryggja að tengi öryggisbeltis sé læst áður en öryggisbeltið og meðfylgjandi SRD er notað.

- **Uppsetning tveimur SRD öryggisbeltu með D-hring:** Eldri ExoFit líkamsöryggisbelti með föstum D-hring gera kröfu um sérstakt tengi SRD öryggisbeltis til að festa tvö SRD aftan á öryggisbeltinu rétt fyrir neðan aftari D-hringinn. Til að setja upp tvö SRD á ExoFit líkamsöryggisbelti með tengi SRD öryggisbeltis með föstum D-hring (mynd 10):
 1. **Losaðu vefnað öryggisbeltisins:** Togaðu í ólarnar (A) þar sem þær fara í gegnum neðsta hluta aftari D-hrings (B) þar til nógu mikið pláss er til staðar til að renna tengi SRD öryggisbeltis á milli óla og bakhlífar.
 2. **Opnaðu tengi öryggisbeltis:** Hafðu tengi SRD öryggisbeltis uppsett eins og sýnt er og þrýstu lásslífina (C) til hægri og snúðu síðan réttisælis til að aflæsa hliðinu (D). Sveiflaðu hliðinu (D) niður til að opna.
 3. **Þræddu fyrsta SRD á tengi öryggisbeltis:** Settu enda tengis (E) í gegnum snúningsaugað (F) á SRD og snúðu síðan SRD í kringum hliðsenda tengisins (G). Hliðinu má loka til að búa til bil fyrir snúningsaugað á milli hliðs og aðalhluta tengis.
 4. **Staðsettu tengi öryggisbeltis í kringum ólarnar:** Settu enda tengis (E) fyrir aftan ólarnar (A). Snúðu tenginu fyrir aftan ólarnar þar til tengið umlykur ólarnar.
 5. **Bættu öðru SRD við tengi öryggisbeltis:** Renndu snúningsauga SRD (F) yfir enda tengis (E) og staðsettu snúningsauga SRD á enda tengisins.
 6. **Lokaðu tengi öryggisbeltis:** Láttu hliðið (D) lokast með sveiflu og lásslífina (C) snúast aftur í læsta stöðu. Þegar tengi öryggisbeltis er lokað skal toga ólarnar (A) aftur í gegnum aftari D-hring til að koma í veg fyrir slaka í vefnaði og festa tengi öryggisbeltis á milli óla og bakhlífar.
- **3M® DBI-SALA® Tvöföld karabína:** 3M® DBI-SALA® tvöfaldar karabínan er hönnuð til að festa tvö Nano-Lok SRD hlið við hlið á baki líkamsöryggisbeltis rétt fyrir neðan aftari D-hring (sjá mynd 12). Til að setja upp tvö Nano-Lok SRD á líkamsöryggisbelti með tvöfaldri karabínu:
 1. **Losaðu vefnað öryggisbeltisins:** Togaðu í ólarnar (A) þar sem þær fara í gegnum neðsta hluta aftari D-hrings (B) þar til nógu mikið pláss er til staðar til að renna tveggja fóta tengi á milli óla og hlífar D-hrings.
 2. **Opnaðu tvöföldu karabínuna:** Þrýstu innfellingu tengis (C) til að losa klemmurnar (D) af tenginu og sveiflaðu síðan innfellingu tengis upp til að aflæsa hliðinu. Þrýstu inn á hliðið (E) til að opna tengið.
 3. **Þræddu fyrsta Nano-Lok SRD á tvöföldu karabínuna:** Settu enda tengis (F) í gegnum snúningsaugað (G) á SRD og snúðu síðan SRL í kringum hliðsenda tengisins (H). Hliðinu má snúa í átt að endanum til að búa til bil fyrir snúningsaugað á milli hliðs og aðalhluta tengis.
 4. **Staðsettu tvöföldu karabínuna á ólunum:** Láttu hliðið snúa upp, settu enda tengis (F) fyrir aftan ólarnar (A). Snúðu tenginu fyrir aftan ólarnar þar til tengið umlykur ólarnar.
 5. **Bættu öðru Nano-Lok SRD við tvöföldu karabínuna:** Renndu snúningsauga SRL (G) yfir enda tengis (F) og staðsettu snúningsauga SRL á enda tengisins (F). Sveiflaðu hliðinu (E) svo það lokist.
 6. **Lokaðu tvöföldu karabínunni:** Snúðu innfellingu tengis (C) áfram svo að klemmurnar (D) festi tengið. Þegar tengið er rétt lokað ættu ólarnar að fara í gegnum vefrauf (J) efst á innfellingu tengis og snúningsauga SRL ætti að vera tryggilega fest í hlífunum (K) öðru hvoru megin á innfellingu tengis. Þegar tengi öryggisbeltis er lokað skal toga ólarnar (A) aftur í gegnum aftari D-hring og hlíf D-hrings til að koma í veg fyrir slaka í vefnaði og festa tengi á milli óla og hlífar D-hrings.
- **3M® DBI-SALA® karabína með tvöföldum pinna:** Þennan áfesta búnað má nota til að festa eina Nano-Lok SRL eða tvær Nano-Lok SRL við klifurnotkun (sjá mynd 11) þegar þörf er á 100% festingu:
 1. **Losaðu vefnað öryggisbeltisins:** Togaðu í ólarnar (A) þar sem þær fara í gegnum neðsta hluta aftari D-hrings (B) þar til nógu mikið pláss er til staðar til að renna tveggja fóta tengi á milli óla og hlífar D-hrings.
 2. **Fyrir eina uppsetningu:** Settu snúningsauga staks SRL fyrir miðju á opna rýminu.
 3. **Fyrir tvöfalda uppsetningu:** Settu snúningsauga eins SRL í opna rýmið sem er næst pinnanum og eina SRL í opna rýmið lengst frá pinnanum.
 4. Renndu pinnanum til baka þar til þú heyrir smell. Pinninn ætti að vera læstur á sínum stað.
 5. Þrýstu á báða hnappa á sama tíma þeim megin sem öryggisbeltið er á tenginu á meðan þú rennir pinnanum út. Ópið rými myndast þegar þessum pinna er rennt út.
 6. Togaðu smá slaka í vefnaðinum beint fyrir neðan aftari D-hring á öryggisbeltinu þínu. Settu hlið öryggisbeltis á tenginu undir D-hringinn.
 7. Renndu pinnanum á sinn stað til að tryggja að hann sé á milli laga öryggisbeltis þar til þú heyrir smell. Pinninn ætti að vera læstur á sínum stað.

4.0 NOTKUN

Byrjendur eða aðilar sem nota sjálfinnindraganlegan búnað sjaldan ættu að fara yfir „Öryggisupplýsingar“ í byrjun þessarar handbókar áður en þeir nota SRD.

- 4.1 **FYRIR SÉRHERJJA NOTKUN:** Fyrir sérhverja notkun á þessum fallvarnarbúnaði skal vandlega skoða hann til að tryggja að hann sé í góðu vinnuástandi. Athugaðu með slitna eða skemmda hluta. Tryggðu að allir boltar séu til staðar og tryggilega festir. Athugaðu hvort að líflínan dragist rétt inn með því að toga í hana og láta hana dragast hægt inn. Ef eitthvert hik er í inndrætti skal taka einunguna úr notkun og farga henni. Skoðaðu líflínuna og leitaðu að skurðum, núning, bruna eða tæringu. Athugaðu lásvirkni með því að toga skarpt í línuna. Skoðunarupplýsingar er að finna í Eftirlits- og viðhaldsskrá (tafla 3). Ef skoðun leiðir í ljós óöruggt skal ekki nota kerfið.
- 4.2 **EF FALL HEFUR ÁTT SÉR STAÐ:** Öll dragreiði sem hafa orðið fyrir álagi vegna fallvarnar við eða hafa ummerki um skemmdir sem samsvara varni gegn falli samkvæmt því sem lýst er í töflu 3, verður að taka úr notkun samstundis og farga.
- 4.3 **LÍKAMSSTUÐNINGUR:** Nota þarf líkamsöryggisbelti við notkun á SRD. Fyrir almenna fallvarnarotkun, tengdu við aftari D-hring.

- 4.4 TENGING FRAMKVÆMD:** Mynd 5 sýnir tengingu öryggisbeltis og festingar fyrir SRD fallstöðvunarkerfi. Þegar krókur er notaður til að framkvæma tengingu skal tryggja að losun geti ekki átt sér stað (mynd 5). Ekki skal nota króka eða tengi sem lokast ekki algjörlega þegar þau eru tengd við festingar. Ekki nota smelli króka sem læsast ekki. Festingin verður að uppfylla kröfur um festistyrk í töflu 2. Fylgja skal leiðbeiningum framleiðanda sem fylgja sérhverjum íhlut kerfisins.
- 4.5 NOTKUN:** Fyrir notkun skal skoða SRD eins og lýst er í töflu 3. Á mynd 14 má sjá festingar fyrir hefðbundinn SRD búnað. Tengdu SRD við viðeigandi festingu eða festu SRD aftan á líkamsöryggisbelti í samræmi við leiðbeiningarnar í kafla 3. Fyrir SRD með festingum, tengdu krókinn (D) eða karabínuna á burðarvisinn á aftari D-hring (A) á líkamsöryggisbeltinu. Fyrir SRD með öryggisbelti, tengdu krókinn (D) eða karabínuna við viðeigandi festingu. Tryggðu að tengi séu samhæf að stærð, lögun og styrkleika. Tryggðu að krókar séu að fullu lokaðir og læstir. Eftir festingu getur starfsmaðurinn færst sig innan ráðlags vinnusvæðis á hefðbundnum hraða. Ef fall á sér stað mun SRD læsast og stöðva fallið. Eftir björgun skal taka SRD úr notkun. Við vinnu með SRD skal ávallt láta líflínuna dragast aftur inn í búnaðinn.
- 4.6 TVÖFALT SRD TENGI, 100% TVEGGJA FÓTA NOTKUN:** Þegar tvö SRD eru fest hlið við hlið aftan á líkamsöryggisbelti má nota SRD fallstöðvunarkerfið fyrir sífellda fallvörn (100% tveggja fóta notkun) þegar farið er upp, niður eða til hliðar (sjá mynd 15). Með því að hafa fótinn festan við eina SRD-tengitaugina getur starfsmaðurinn fært sig á annan stað, fest ónotaða fót á hina SRD-tengitaugina og losað svo hinn fótinn frá upprunalegu festingunni. Þessa aðgerð skal endurtaka þar til starfsmaðurinn er kominn á þann stað sem hann óskar eftir. Hafa skal eftirfarandi í huga þegar tvöfalt SRD tengi er notað með 100% báðum fótum:
- Ekki skal festa báða fætur SRD-dragreipisins við sömu festingu (sjá skýringarmynd 15A).
 - Ef fleiri en ein festing er tengd við einfalda festingu (hring eða auga) getur verið að festingin sé ekki lengur í samræmi, þar sem festingarnar stangast á og því er ekki mælt með slíku.
 - Festing hvors fótars SRD dragreipisins við sithvoran festistaðinn er ásættanleg (skýringarmynd 16B).
 - Hver festistaður verður að þola 2.248 lbs (10 kN) eða vera tæknilegt kerfi með láréttri líflínu.
 - Festið aldrei fleiri en einn starfsmann við tvöfalt SRD kerfi (skýringarmynd 16C) samtímis.
 - Látið dragreipið ekki flækjast eða vefjast um hvorn annan þar sem það getur hindrað þá í að dragast upp.
 - Látið dragreipið ekki fara undir handleggi eða fótleggi við notkun.
- 4.7 UPPSETNING Á TVÖFÖLDU SRD MEÐ AFTARI D-HRING:** Gerðir með þrívirka karabínu má festa á aftari D-hring í tvöfaldri uppsetningu. Til að setja upp tvö SRD á aftari D-hring öryggisbeltis (mynd 13):
1. **Opnaðu þrívirku karabínuna:** Þannig að þrívirka karabínan snúi eins og sýnt er, þrýstu lásslífinni (C) til hægri og snúðu síðan réttisælis til að aflæsa hliðinu (D). Sveiflaðu hliðinu (D) niður til að opna.
 2. **Þræddu fyrstu SRD á þrívirku karabínuna:** Settu enda tengis (E) í gegnum snúningsaugað (F) á SRD og snúðu síðan SRD í kringum hliðsenda tengisins (G). Hliðinu má loka til að búa til bil fyrir snúningsaugað á milli hliðs og aðalhluta tengis.
 3. **Bættu annarri SRD við þrívirku karabínuna:** Renndu snúningsauga SRD (F) yfir enda tengis (E).
 4. **Þræddu þrívirku karabínunni í gegnum D-hringinn:** Settu enda tengis (E) í gegnum aftari D-hring (A). Snúðu tengingu í gegnum D-hringinn þar til hægt er að loka hliðinu.
 5. **Lokaðu þrívirku karabínunni:** Láttu hliðið (D) lokast með sveiflu og lásslífina (C) snúast aftur í læsta stöðu.
- 4.8 LÁRÉTT KERFI:** Þegar SRD er notuð samhliða láréttu kerfi (t.d. láréttri líflínu, láréttri I-Beams Trolley) verður SRD og lárétta kerfið að vera samhæft. Lárétt kerfi eru hönnuð og uppsett undir eftirliti viðurkennds verkfræðings. Leitaðu upplýsinga í leiðbeiningum framleiðanda lárétts kerfis.

Gildi fyrir fallbil í mynd 4 miðast við festingu í traustum, kyrrstæðum festipunkti og á ekki við festingu í láréttu líflínukerfi (HLL). Leitaðu upplýsingar í HLL notendahandbók og HLL uppsetningu til að ráðleggingar varðandi fallbil.

5.0 Skoðun

- 5.1 RFID-MERKI (RAFTÍÐNIAUÐKENNING):** Sjálfsinndraganlegi búnaðurinn er með raftíðniauðkenningarmerki (RFID) (sjá mynd 17). RFID-merkið má nota með lófalestækjum og vefgáttum til að einfalda eftirlit og birgðastjórnun og skrá fallvarnarbúnað. Nánari upplýsingar má fá hjá sölufulltrúa 3M (sjá bakhlið). Fylgið leiðbeiningunum sem fylgja með lófataekinu eða notið vefgáttina til að flytja gögn yfir í vefdagbókina.
- 5.2 EFTIRLITSTÍÐNI:** Sjálfsinndraganlegi búnaðurinn verður að vera skoðaður með tíðni sem skilgreind er í kafla 2. Skoðunaraðferðum er lýst í „Eftirlits- og viðhaldsskrá“ (tafla 3).

Erfiðar vinnuáðstæður (óblítt umhverfi, langvarandi notkun, o.s.frv.) geta haft í för með sér tíðari skoðun (sjá töflu 2).

- 5.3 ÓÖRUGGT EÐA GALLAÐ ÁSTAND:** Ef skoðun afhjúpar óöruggt eða gallað ástand skal taka SRD úr notkun tafarlaust og farga því (sjá kafla 6).

Einungis 3M fyrirtækið eða aðilar sem hafa skriflegt umboð frá því mega gera við þennan búnað.

- 5.4 LÍFTÍMI VÖRU:** Líftími 3M sjálfsinndraganlegs búnaðar ræðst af vinnuáðstæðum og viðhaldi. Nota má vöruna áfram svo lengi sem hún stenst eftirlitsviðmið (innan hámarks endingartíma vöru). Hámarks endingartími SRD með textíl-líflínunum er eigi lengur en 10 ár frá framleiðslu.

6.0 VIÐHALD, ÞJÓNUSTA og GEYMSLA

6.1 HREINSUN: Hreinsunarverklag fyrir SRD er sem hér segir:

- Reglulega skal hreinsa ytra borð SRD með vatni og mildri sápuþvott. Komið SRD fyrir þannig að umframvatn geti lekið af því. Hreinsið merkin eftir þörfum.
- Hreinsið líflínuna með vatni og mildri sápuþvott. Skolið og látið þorna til fulls. Þurrkið ekki með hita. Líflínan á að vera þurr áður en hún er dregin aftur inn í blökkina. Of mikil uppsöfnun óhreininda, málningar o.s.frv. getur komið í veg fyrir að líflínan dragist til fulls inn í blökkina og valdi hugsanlegri hættu á óhindruðu falli.

6.2 ÞJÓNUSTA: SRD eru ekki viðgerðarhæf. Ef SRD hefur orðið fyrir fallálagi, eða eftirlit sýnir óöruggt eða gallað ástand, skal fjarlægja SRD úr notkun og farga (sjá „Förgun“).

6.3 GEYMSLA/FLUTNINGUR: Geymið og flytjið SRD á köldum, þurrum og hreinum stað, fjarri beinu sólarljósi. Forðastu svæði þar sem efnagufur geta verið til staðar. Skoðið SRD vandlega ef það hefur verið geymt í langan tíma.

6.4 FÖRGUN: Fargið SRD ef hún hefur orðið fyrir fallálagi eða skoðun afhjúpar óöruggt eða gallað ástand. Fyrir förgun á SRD skal skera líflínuna til helminga eða afvirkja SRD á annan máta til að koma í veg fyrir endurnotkun fyrir slysi.

7.0 Merkingar

Mynd 22 sýnir merkingar á sjálfsinnhraganlega búnaðinum og staðsetningar þeirra. Öll merkin eiga að vera til staðar á SRD-búnaðinum. Merkingar þarf að endurnýja ef þær eru ekki að fullu læsilegar. Myndir á merkingunum eru skilgreindar á eftirfarandi máta:

1	Skoðaðu smellikrók og höggvísi
2	Skoðaðu lásvirkni SRL
3	Rétt leið til að tengja SRL við öryggisbelti
4	Ekki vottað fyrir skarpar brúnir. Má tengja við festipunkt fyrir ofan, neðan eða í sömu hæð og aftari D-hringur (140 kg að hámarki).
5	Notkunarbíl hitastigs -40°C – +60°C
6	Hámarks geta 140 kg
7	Ávallt skal láta líflínuna dragast aftur í SRL undir stjórn
8	Ekki viðgerðarhæf
9	Geymið á köldum, þurrum og hreinum stað, fjarri beinu sólarljósi.
10	Setjið ekki yfir brún
11	Ekki skal fjarlægja merkinga

Tafla 3 – Eftirlits- og viðhaldsskrá

Raðnúmer:		Dagsetning keypt:	
Gerðarnúmer:		Dagsetning fyrstu notkunar:	
Eftirlitsdagsetning:		Skoðað af:	
Íhlutur:	Eftirlit: (Sjá kafla 2 varðandi eftirlitstíðni)	Stenst	Stenst ekki
SRD (Mynd 18)	Skoðaðu og leitaðu að lausum festingum og bognum eða skemmdum hlutum.	<input type="checkbox"/>	<input type="checkbox"/>
	Skoðaðu húsið (A) og leitaðu að afmyndunum, sprungum eða öðrum skemmdum.	<input type="checkbox"/>	<input type="checkbox"/>
	Skoðaðu segulnaglan (B) og snúningsaugað (C) eða innbyggða tengið (D) og leitaðu að afmyndun, sprungum eða öðrum skemmdum. Segulnaglinn ætti að vera tryggilega festur við SRL, en ætti að snúast snurðulaust. Snúningsaugað eða innbyggða tengið ætti að snúast frjálsglega á segulnaglanum.	<input type="checkbox"/>	<input type="checkbox"/>
	Líflínan (E) ætti að togast út og dragast inn að fullu snurðulaust og ekki má myndast slaki í línunni.	<input type="checkbox"/>	<input type="checkbox"/>
	Tryggðu að SRD læsist þegar snöggur kippur kemur á líflínuna. Læsing ætti að vera jákvæð án nokkurra vandkvæða.	<input type="checkbox"/>	<input type="checkbox"/>
	Allar merkingar þurfa að vera til staðar og að fullu læsilegar (sjá mynd 20).	<input type="checkbox"/>	<input type="checkbox"/>
	Skoðaðu allan sjálfinnndraganlega búnaðinn (Self-Retracting Device - SRD) til að leita að tæringu.	<input type="checkbox"/>	<input type="checkbox"/>
Endatengi (Mynd 19)	Tafla 2 sýnir endatengi sem ættu að fylgja þinni gerð af Nano-Lok SRD-búnaði. Skoðaðu alla smellikróka, karabínur, styrktarkróka, tengi o.s.frv. og leitaðu að merkjum um skemmdir, tæringu og að viðeigandi ástandi þeirra við vinnu. Ef til staðar er: Hlið ættu að opnast, lokast, læsast og aflæsast rétt og láshnappar og láspinnar ættu að virka rétt.	<input type="checkbox"/>	<input type="checkbox"/>
Líflína (Mynd 20)	Skoðaðu efnið, efnið verður að vera laust við skorna (A), núna (B) eða slitna þræði. Athugaðu hvort beltin séu rifin, núningur, mikil óhreinindi (C), mygla eða brunablettir (C) séu á þeim eða hvort þau hafi aflitast. Skoðaðu sauma. Athugaðu hvort saumar séu að losna eða séu rifnir. Lausir saumar geta verið merki um að beltíð hafi orðið fyrir höggi, og þá verður að taka það úr notkun.	<input type="checkbox"/>	<input type="checkbox"/>
Orkugleypir (höggdeyfing) (Mynd 21)	Staðfestu að innbyggð höggdeyfing hafi verið virkjuð. Opín hlíf eða slitin hlíf (A), efni sem rifíð er úr hlífinni, slitíð efni (B), rifnir saumar o.s.frv. benda til höggdeyfing hafi átt sér stað.	<input type="checkbox"/>	<input type="checkbox"/>
Leiðréttandi aðgerð/viðhald:	Samþykkt af:		
	Dagsetning:		
Leiðréttandi aðgerð/viðhald:	Samþykkt af:		
	Dagsetning:		
Leiðréttandi aðgerð/viðhald:	Samþykkt af:		
	Dagsetning:		
Leiðréttandi aðgerð/viðhald:	Samþykkt af:		
	Dagsetning:		
Leiðréttandi aðgerð/viðhald:	Samþykkt af:		
	Dagsetning:		
Leiðréttandi aðgerð/viðhald:	Samþykkt af:		
	Dagsetning:		
Leiðréttandi aðgerð/viðhald:	Samþykkt af:		
	Dagsetning:		

INFORMAZIONI SULLA SICUREZZA

Leggere, comprendere e seguire tutte le informazioni sulla sicurezza contenute nelle presenti istruzioni prima di utilizzare questo dispositivo autoretrattile (Self-Retracting Device, SRD). IL MANCATO RISPETTO DELLE ISTRUZIONI PUÒ CAUSARE GRAVI LESIONI PERSONALI O MORTE.

Fornire le presenti istruzioni all'utente dell'attrezzatura. Conservare queste istruzioni come riferimento in futuro.

Uso previsto:

Questo dispositivo autoretrattile deve essere utilizzato come parte di un sistema di protezione anticaduta personale completo.

L'utilizzo per qualsiasi altra applicazione incluse, ma non solo, manipolazione di materiale, attività correlate ricreative o sportive oppure altre attività non descritte nelle istruzioni per l'utente, non è approvato da 3M e può causare gravi lesioni personali o morte.

Il presente dispositivo deve essere utilizzato esclusivamente da utenti addestrati nelle applicazioni relative all'ambito di lavoro.

! AVVERTENZA

Questo dispositivo autoretrattile fa parte di un sistema di protezione anticaduta personale. Si prevede, pertanto, che tutti gli utenti siano completamente addestrati all'installazione e al funzionamento sicuri del loro sistema di protezione anticaduta personale. **L'uso improprio del presente dispositivo può comportare gravi lesioni personali o morte.** Per le modalità corrette di selezione, funzionamento, installazione, manutenzione e assistenza, consultare le presenti istruzioni per l'utente e anche tutte le raccomandazioni fornite dal produttore; altrimenti rivolgersi al proprio supervisore o contattare l'assistenza tecnica di 3M.

- **Per ridurre i rischi associati all'utilizzo di un SRD che, se non evitati, potrebbero causare gravi lesioni personali o morte:**
 - Prima di ciascun uso, ispezionare l'SRD e controllare che il bloccaggio e la ritrazione funzionino idoneamente.
 - Se, a seguito dell'ispezione, viene individuata una condizione di non sicurezza o difetto, dismettere il dispositivo e ripararlo o sostituirlo secondo le istruzioni per l'utente.
 - Se l'SRD è stato soggetto a una forza d'arresto caduta o di impatto, metterlo immediatamente fuori servizio ed etichettarlo come "INUTILIZZABILE".
 - Assicurarsi che la fune dispositivo sia libera da tutte le eventuali ostruzioni inclusi, ma non solo, l'aggravamento con macchinari o attrezzature in movimento (ad es. il top drive delle torri di perforazione), altri lavoratori, il lavoratore che la utilizza, gli oggetti circostanti, oppure dalla possibilità di impatto con oggetti sospesi che potrebbero cadere sulla fune dispositivo o sul lavoratore.
 - Non permettere che si creino allentamenti della fune dispositivo. non legare o annodare la fune dispositivo.
 - Attaccare le gambe inutilizzate dell'SRD montato su imbracatura agli attacchi per ferma cordino dell'imbracatura, se esistenti.
 - Non utilizzare in applicazioni in cui la traiettoria di caduta libera sia ostruita. Lavorare su materiale a lento spostamento, come sabbia o sementi, o in spazi stretti o bloccati, può impedire che il lavoratore raggiunga una velocità sufficiente a bloccare l'SRD. È necessaria una traiettoria sgombra per garantire l'efficacia dell'arresto dell'SRD.
 - Evitare movimenti improvvisi o rapidi durante le normali attività lavorative. Ciò può causare il blocco del dispositivo.
 - Assicurarsi che i sistemi/sottosistemi di protezione anticaduta assemblati con componenti realizzati da produttori diversi siano compatibili e soddisfino i requisiti degli standard applicabili, inclusi ANSI Z359 o altri codici, standard o requisiti relativi alla protezione anticaduta pertinenti. Consultare sempre un persona competente e/o qualificata prima di utilizzare questi sistemi.
- **Per ridurre i rischi associati al lavoro in altezza che, se non evitati, potrebbero causare gravi lesioni personali o morte:**
 - Assicurarsi che le proprie condizioni fisiche e di salute permettano una resistenza in completa sicurezza a tutte le forze associate al lavoro in altezza. Consultare il proprio medico in caso di domande relative alla propria capacità d'uso di questa attrezzatura.
 - Non superare mai la capacità consentita della propria attrezzatura di protezione anticaduta.
 - Non superare mai la distanza massima di caduta libera della propria attrezzatura di protezione anticaduta.
 - Non utilizzare mai un'attrezzatura di protezione anticaduta che non abbia superato l'ispezione prima dell'uso o altri controlli programmati oppure in caso di dubbi sull'uso o sull'idoneità dell'attrezzatura in merito all'applicazione. Per eventuali domande, contattare l'assistenza tecnica di 3M.
 - Alcune combinazioni di sottosistemi e componenti potrebbero compromettere il funzionamento di questa attrezzatura. Utilizzare solo collegamenti compatibili. Consultare 3M prima di utilizzare questa attrezzatura in combinazione con componenti o sottosistemi diversi da quelli descritti nelle presenti istruzioni per l'utente.
 - Prestare particolare attenzione in presenza di macchinari in movimento (ad es., il top drive delle torri di perforazione), rischi di carattere elettrico, temperature estreme, rischi di carattere chimico, gas esplosivi o tossici, bordi taglienti oppure al di sotto di materiali sospesi che potrebbero cadere sull'utente o sulla sua attrezzatura di protezione anticaduta.
 - Utilizzare dispositivi Arc Flash o Hot Works quando si lavora in ambienti che presentano temperature elevate.
 - Evitare superfici e oggetti che possano danneggiare l'utente o l'attrezzatura.
 - Durante il lavoro in altezza assicurarsi che ci sia un tirante d'aria di caduta adeguato.
 - Non modificare o alterare mai la propria attrezzatura di protezione anticaduta. Solo 3M o centri con autorizzazione scritta di 3M possono procedere alla riparazione dell'attrezzatura.
 - Prima di utilizzare l'attrezzatura di protezione anticaduta, assicurarsi che esista un piano di salvataggio che permetta un salvataggio immediato nel caso in cui si verifichi un incidente.
 - In caso di incidente, fare in modo che il lavoratore caduto sia sottoposto immediatamente alle cure di un medico.
 - Non utilizzare una cintura in vita per applicazioni di arresto caduta. Utilizzare esclusivamente un'imbracatura integrale.
 - Ridurre al minimo le cadute con pendolo lavorando il più possibile direttamente sotto il punto di ancoraggio.
 - Durante la formazione con questo dispositivo, deve essere utilizzato un sistema di protezione anticaduta secondario in modo da non esporre l'utente a un pericolo di caduta involontario.
 - Quando si installa, utilizza o ispeziona il dispositivo/sistema, indossare sempre i dispositivi di protezione individuale idonei.

Prima di utilizzare l'attrezzatura, registrare le informazioni di identificazione del prodotto dall'etichetta identificativa nel "Registro di ispezione e manutenzione" che si trova sul retro del presente manuale.

DESCRIZIONE:

la Figura 2 identifica i componenti principali dei dispositivi autoretrattili (Self-Retracting Device, SRD) Nano-Lok 3M™ DBI-SALA®. Gli SRD Nano-Lok sono cavi di sicurezza avvolti su una fune dispositivo in nastro tessile (A) con un dissipatore di energia (B) che si ritrae in un alloggiamento di nylon (C). Un occhiello girevole (D) posto sulla parte superiore dell'alloggiamento consente l'aggancio a un punto di collegamento di ancoraggio valido con un moschettone (E), oppure il montaggio di un'imbracatura integrale con un'interfaccia di imbracatura (F). La Figura 1 mostra i modelli Nano-Lok disponibili e le rispettive configurazioni del connettore. Vedere la Tabella 1 per le specifiche dell'SRD Nano-Lok e del connettore.

Tabella 1 - Specificazioni

Specificazioni dei componenti:

Alloggiamenti per SRL	Nylon
Tamburo	Nylon
Componenti interni	Acciaio inossidabile, alluminio
Fune dispositivo in nastro tessile	Dyneema Poliestere
Assorbitore di energia	Copertura: Gomma nitrilica, nastro tessile: Poliestere, Cuciture: Filo di poliestere o nylon
Perno	Acciaio galvanizzato

Specifiche del connettore:

	Descrizione	Materiale	Apertura dell'attacco	Resistenza chiusura	Resistenza a trazione
①	Occhiello girevole	Acciaio	22,35 mm (0,88 pollici) di diametro interno	X	22,2 kN (5.000 libbre)
②	Moschettone	Alluminio	19 mm (3/4 di pollice)	16 kN (3.600 libbre)	22,2 kN (5.000 libbre)
③	Moschettone	Acciaio	19 mm (3/4 di pollice)	16 kN (3.600 libbre)	22,2 kN (5.000 libbre)
④	Interfaccia con SRD singolo	Acciaio	51 mm (2 pollici)	16 kN (3.600 libbre)	22,2 kN (5.000 libbre)
⑤	Interfaccia con SRD doppio	Acciaio con inserto in nylon	19 mm (3/4 di pollice)	16 kN (3.600 libbre)	22,2 kN (5.000 libbre)
⑥	Moschettone	Alluminio, acciaio	56 mm (2,19 pollici)	16 kN (3.600 libbre)	22,2 kN (5.000 libbre)
⑦	Moschettone	Alluminio	19 mm (3/4 di pollice)	16 kN (3.600 libbre)	22,2 kN (5.000 libbre)
⑧	Connettore a doppia leva	Alluminio	57 mm (2-1/4 pollici)	16 kN (3.600 libbre)	22,2 kN (5.000 libbre)
⑨	Connettore a doppia leva	Alluminio	63 mm (2-1/2 pollici)	16 kN (3.600 libbre)	22,2 kN (5.000 libbre)
⑩	Moschettone	Alluminio	52 mm (2 pollici)	16 kN (3.600 libbre)	22,2 kN (5.000 libbre)
⑪	Connettore a doppia leva	Alluminio, acciaio	63 mm (2-1/2 pollici)	16 kN (3.600 libbre)	22,2 kN (5.000 libbre)
⑫	Moschettone	Acciaio	19 mm (3/4 di pollice)	16 kN (3.600 libbre)	22,2 kN (5.000 libbre)
⑬	Connettore a doppia leva	Alluminio	57 mm (2-1/4 pollici)	16 kN (3.600 libbre)	22,2 kN (5.000 libbre)
⑭	Gancio doppia leva	Acciaio	19 mm (3/4 di pollice)	16 kN (3.600 libbre)	22,2 kN (5.000 libbre)

Specifiche delle prestazioni:

Specificazioni del dispositivo anticaduta retrattile (verticale)	Modelli CE	
	59-100 kg (130-220 libbre)	100-140 kg (220-310 libbre)
Intervallo di capacità	59-100 kg (130-220 libbre)	100-140 kg (220-310 libbre)
Forza di arresto massima	6 kN (1.350 libbre)	6 kN (1.350 libbre)
Forza di arresto media	4 kN (900 libbre)	4 kN (900 libbre)
Distanza di arresto massima dichiarata¹	0,61 m (24 pollici)	0,61 m (24 pollici)
Tirante d'aria di caduta minimo richiesto¹	1,5 m (5 piedi)	1,8 m (5,8 piedi)
Caduta libera massima²	1,5 m (5 piedi)	1,5 m (5 piedi)

1 - Presuppone che il dispositivo anticaduta retrattile sia stato montato direttamente sopra (sospeso) l'utente finale.

2 - Misurata dalla superficie calpestabile/di lavoro dell'anello a D dell'utente. Per i dettagli, fare riferimento ai grafici del tirante d'aria di caduta.

1.0 APPLICAZIONI

- 1.1 FINALITÀ:** i dispositivi autoretrattili (SRD) sono ideati per far parte di un sistema di protezione anticaduta (Personal Fall Arrest System, PFAS). La Figura 1 mostra gli SRD descritti nel presente manuale delle istruzioni. Possono essere utilizzati nella maggior parte delle situazioni in cui sia necessario assicurare sia la mobilità del lavoratore sia la protezione dalle cadute (lavoro di ispezione, costruzioni, manutenzione, produzione petrolifera, lavoro in spazi confinati e così via).
- 1.2 STANDARD:** l'SRD è conforme agli standard nazionali segnalati nella copertina di queste istruzioni. Per maggiori informazioni sui sistemi di protezione anticaduta, fare riferimento alle normative locali, nazionali e federali (OSHA) che regolano la sicurezza sul lavoro.
- 1.3 ADDESTRAMENTO:** l'attrezzatura deve essere utilizzata da operatori adeguatamente addestrati per il suo corretto impiego ed uso. È responsabilità dell'utente garantire l'approfondimento delle presenti istruzioni e la formazione in merito alla corretta manutenzione e all'utilizzo dell'attrezzatura. L'utente deve inoltre essere a conoscenza delle caratteristiche operative, dei limiti di applicazione e delle conseguenze derivanti da un uso improprio.
- 1.4 LIMITAZIONI:** considerare sempre le seguenti limitazioni durante l'installazione o l'utilizzo del dispositivo:

- **Capacità:** gli SRD sono destinati all'uso da parte di una sola persona con peso combinato (indumenti, attrezzi, ecc.) che soddisfa il *Range di capacità* specificato nella Tabella 1. Verificare che tutti i componenti del sistema siano stati omologati per sostenere una capacità conforme all'applicazione.
- **Ancoraggio:** la struttura di ancoraggio per l'SRD deve essere in grado di sostenere carichi fino a 12 kN (2.697 libbre, 1.345 kg). i dispositivi di ancoraggio devono essere conformi allo standard EN795 o agli altri standard applicabili ai connettori di ancoraggio.
- **Velocità di arresto:** evitare situazioni che non consentano una traiettoria di caduta libera. Lavorare in spazi stretti o bloccati, o su una superficie inclinata, potrebbe impedire il raggiungimento della velocità di arresto adeguata dell'SRD in caso di caduta. Lavorare su materiali a lento spostamento, come sabbia o sementi, potrebbe impedire il raggiungimento della velocità di arresto adeguata per bloccare l'SRD. È necessaria una traiettoria sgombra per garantire l'efficacia dell'arresto dell'SRD.
- **Caduta libera:** quando fornito di ancoraggio posto al di sopra del capo, i dispositivi SRD limiteranno la distanza di caduta libera a 0,6 m (2 piedi)¹. Per evitare incrementi nelle distanze di caduta, ancorare l'SRD direttamente al di sopra del livello di lavoro. Non collegare mai l'SRD a un punto di ancoraggio che crea una caduta libera maggiore di 1,5 m (5 piedi). Evitare di lavorare in punti in cui il proprio cavo di sicurezza potrebbe incrociarsi o aggrovigliarsi con quello di un altro lavoratore. Evitare di lavorare in luoghi dove potrebbero cadere degli oggetti e colpire il cavo di sicurezza, causando perdita di equilibrio o danni al cavo. Non permettere al cavo di sicurezza di passare sotto le braccia o tra le gambe. Mai bloccare, annodare oppure ostacolare in alcun modo il cavo di sicurezza nel movimento retrattile o nella tensione. Evitare che il cavo sia lasco. **Non allungare gli SRD collegando un cordino o un componente simile senza aver consultato 3M.**
- **Cadute in oscillazione:** le cadute con pendolo si verificano quando il punto di ancoraggio non è esattamente al di sopra del punto in cui si verifica la caduta. La forza d'urto contro un oggetto durante una caduta con pendolo può causare lesioni gravi (vedere figura 3A). Ridurre al minimo le cadute con pendolo lavorando il più possibile direttamente sotto il punto di ancoraggio (Figura 3B). Lavorare lontano dal punto di ancoraggio (Figura 3C) aumenterà l'impatto di una caduta in oscillazione e aumenterà lo spazio di caduta (Fall Clearance, FC).
- **Spazio di caduta:** la Figura 3B mostra il calcolo dello spazio di caduta. Lo spazio di caduta (FC) è la somma della caduta libera (FF), la distanza di decelerazione (DD) e il fattore di sicurezza (SF): $FC = FF + DD + SF$. Nel fattore di sicurezza sono inclusi lo scorrimento dell'anello a D e il cedimento dell'imbracatura. I valori dello spazio di caduta sono stati calcolati e riportati nella Figura 4. Per tutti i valori della Figura 4 è stato utilizzato un fattore di sicurezza di 1 m (3,28 piedi).

La Figura 4 illustra lo spazio di caduta (FC) basato sulla distanza orizzontale (H) e verticale (V) tra il collegamento dorsale dell'SRD e il punto di ancoraggio. Ciascuna linea orizzontale della griglia sul grafico rappresenta la distanza verticale dal punto di ancoraggio. Ciascuna linea verticale della griglia rappresenta la distanza orizzontale dal punto di ancoraggio. Il valore dello spazio di caduta (FC) viene determinato dalla zona (linee della parabola) in cui le linee orizzontali (H) e verticali (V) della griglia si intersecano. L'esempio nella Figura 4 mostra come determinare il valore dello spazio di caduta (FC) richiesto per le distanze verticali (V) e orizzontali (H) dichiarate.

Punti di ancoraggio variabili: gli spazi di caduta nella Figura 4 si basano su un punto di ancoraggio rigido e fisso. Se si esegue l'ancoraggio a un cavo di sicurezza orizzontale (HLL) o a un punto di ancoraggio soggetto a spostamento, scorrimento e deformazione durante una caduta, i valori dello spazio di caduta indicati nella Figura 4 non saranno applicabili. Per ulteriori dettagli sugli spazi di caduta, le deviazioni e/o le deformazioni, consultare le istruzioni relative all'HLL o all'ancoraggio.

Lavoratore inginocchiato o accovacciato: nel grafico delle distanze riportato nella Figura 4 si presume che il lavoratore sia in posizione eretta. Se il lavoratore sarà inginocchiato o accovacciato, saranno necessari altri 0,9 m (3 piedi) di spazio di caduta.

Non eseguire mai l'ancoraggio sotto i piedi: non collegare mai un punto di ancoraggio sotto i propri piedi.

- **Rischi:** l'utilizzo di questa attrezzatura in aree soggette a pericoli dell'ambiente circostante può richiedere precauzioni aggiuntive per ridurre la possibilità di lesioni per l'utente o danni all'attrezzatura. tra i rischi possono esservi i seguenti (pur non essendo limitati a questi): calore elevato, sostanze chimiche caustiche, ambienti corrosivi, linee ad alta tensione, gas tossici o esplosivi, macchinari in movimento, nonché la presenza di materiali al di sopra dell'utente che possono cadere ed entrare in contatto con l'utente o con il sistema d'arresto caduta. Evitare di lavorare in punti in cui la propria fune dispositivo potrebbe incrociarsi o aggrovigliarsi con quello di un altro lavoratore. Evitare di lavorare in luoghi dove potrebbero cadere degli oggetti e colpire la fune dispositivo, causando perdita di equilibrio o danni al cavo. Non permettere al cavo di sicurezza di passare sotto le braccia o tra le gambe.
- **Bordi taglienti:** i bordi taglienti con i quali il cavo di sicurezza SRD può entrare in contatto durante una caduta devono avere un raggio minimo di 0,3 cm (0,125 pollici). Se il contatto con un bordo tagliente è inevitabile, rivestire il bordo con materiale protettivo.

¹ **Caduta libera:** la corretta applicazione dell'SRD, con l'operatore che lavora direttamente al di sotto del punto di ancoraggio e con il cavo di sicurezza non allentato, impedirà la caduta libera. Per le posizioni di ancoraggio accettabili, vedere la Figura 4.

2.0 Utilizzo del sistema

- 2.1 PIANO DI PROTEZIONE ANTICADUTA E SALVATAGGIO:** è necessario che il responsabile disponga di un piano di protezione anticaduta e salvataggio. Il piano deve fornire le linee guida e i requisiti del programma di protezione anticaduta del responsabile, tra cui le politiche, i doveri e la formazione, le procedure di protezione anticaduta, l'eliminazione e il controllo dei pericoli di caduta, le procedure di salvataggio, le indagini sugli incidenti e la valutazione dell'efficacia del programma.
- 2.2 FREQUENZA DELLE ISPEZIONI:** prima di ogni uso, gli SRD devono essere ispezionati dalla persona autorizzata¹ o dal soccorritore² (vedere tabella 3). Inoltre, i controlli devono essere effettuati da una persona competente³ diversa dall'utente. Condizioni di lavoro estreme (ambiente proibitivo, uso prolungato e così via) possono richiedere ispezioni più frequenti da parte della persona competente. La persona competente deve impiegare la *Pianificazione di ispezione* (Tabella 2) per determinare gli intervalli di ispezione appropriati. Le procedure di ispezione sono descritte nella sezione *Registro di ispezione e manutenzione* (Tabella 3). I risultati dell'ispezione effettuata da una persona competente devono essere registrati nella sezione *Registro di ispezione e manutenzione* o registrati con il sistema RFID (vedere la Sezione 5).
- 2.3 NORMALE FUNZIONAMENTO:** il normale funzionamento consentirà alla fune dispositivo di estendersi e ritrarsi senza esitazioni o senza allentamenti durante il movimento del lavoratore a velocità normali. Qualora si verificasse una caduta, si attiverà un sistema di frenata con sensore di velocità arrestando la caduta e assorbendo la maggior parte dell'energia creata. Sono da evitare movimenti rapidi o improvvisi durante le normali operazioni lavorative, poiché ciò può causare la chiusura del dispositivo SRD. Per le cadute in prossimità della fine della corsa della fune dispositivo, è stato incorporato un assorbitore d'energia o un sistema con fune dispositivo di riserva per ridurre le forze d'arresto caduta.
- 2.4 SUPPORTO PER IL CORPO:** utilizzare un'imbracatura completa con il dispositivo retrattile. Il punto di collegamento dell'imbracatura deve trovarsi al di sopra del centro di gravità dell'operatore. L'uso di una cintura in vita non è autorizzato con il dispositivo retrattile. In caso di caduta quando si utilizza una cintura in vita, è possibile che si verifichi il rilascio involontario o un trauma fisico causato dall'uso di supporto per il corpo non adeguato.
- 2.5 COMPATIBILITÀ DEI COMPONENTI:** salvo laddove diversamente indicato, l'attrezzatura 3M è progettata solo per l'utilizzo con componenti e sottosistemi approvati da 3M. Eventuali sostituzioni con componenti o sottosistemi non approvati potrebbero compromettere la compatibilità delle apparecchiature e la sicurezza, nonché l'affidabilità di tutto il sistema.
- 2.6 COMPATIBILITÀ DEI CONNETTORI:** i connettori sono considerati compatibili con gli elementi di collegamento quando sono progettati per essere utilizzati in modo che le rispettive forme e dimensioni non causino l'apertura involontaria dei meccanismi di chiusura, indipendentemente dal modo in cui si orientano. In caso di dubbi sulla compatibilità, contattare 3M. I connettori (ganci, moschettoni e Anelli a D) devono essere in grado di sopportare almeno 22,2 kN (5.000 libbre, 2.267 kg). I connettori devono essere compatibili con l'ancoraggio o altri componenti del sistema. Non utilizzare attrezzature non compatibili. I connettori non compatibili potrebbero sganciarsi involontariamente (vedere la Figura 5). I connettori devono essere compatibili per dimensioni, forma e potenza. I ganci a scatto e i moschettoni autobloccanti sono obbligatori. Se l'elemento di collegamento a cui è agganciato un connettore a scatto o un moschettone ha una forma irregolare o le dimensioni sono inferiori a quanto necessario, l'elemento di collegamento potrebbe applicare una forza al dispositivo di chiusura del connettore a scatto o del moschettone (A). Tale forza potrebbe indurre l'apertura del dispositivo di chiusura (B) e, di conseguenza, il connettore a scatto o il moschettone potrebbe sganciarsi dal punto di collegamento (C).
- 2.7 REALIZZAZIONE DEI COLLEGAMENTI:** i connettori a scatto e i moschettoni utilizzati con questa attrezzatura devono disporre di un meccanismo di autobloccaggio. Assicurarsi che i connettori siano di dimensioni, forma e resistenza compatibili. Non utilizzare attrezzature non compatibili. Assicurarsi che tutti i connettori siano completamente chiusi e bloccati. I connettori 3M (ganci a scatto e moschettoni) sono progettati solo per l'utilizzo specificato nelle istruzioni per l'utente di ciascun prodotto. Vedere la Figura 6 per esempi di collegamenti non appropriati.

Non collegare ganci a doppia leva e moschettoni come descritto:

- A un anello a D a cui è collegato un altro connettore.
- In modo tale da indurre un carico sul dispositivo di chiusura. Non collegare ganci a scatto con ampia distanza tra gli anelli a D di dimensioni standard oppure oggetti simili in modo da indurre un carico sul dispositivo di chiusura in caso di torsione o rotazione del gancio o dell'anello a D, a meno che il gancio a scatto non sia dotato di dispositivo di chiusura da 16 kN (3.600 libbre, 1.632 kg).
- In un falso aggancio, dove le dimensioni o la forma dei connettori che si abbinano non sono compatibili e, senza conferma visiva, i connettori sembrano perfettamente fissati.
- Uno all'altro.
- Direttamente al nastro, al cordino di sicurezza o al collegamento diretto, a meno che le istruzioni del produttore relative al cordino di sicurezza e al connettore non consentano specificatamente tale collegamento.
- A qualsiasi oggetto di forma o dimensione tale da impedire la chiusura e il blocco del connettore a scatto o del moschettone o di causare il lancio.
- In un modo che non consente al connettore di allinearsi correttamente quando sotto carica.

Tabella 2 - Programma di ispezione

Tipo di utilizzo	Esempi applicativi	Condizioni d'uso	Frequenza di ispezione
			Persona competente
Da non frequente a leggero	Recupero e spazio limitato, manutenzione in fabbrica	Buone condizioni di stoccaggio, utilizzo in ambiente chiuso o aperto non frequente, temperatura ambiente, ambienti puliti	Annualmente
Da moderato a pesante	Trasporto, edilizia residenziale, utenze, magazzino	Condizioni di stoccaggio adeguate, utilizzo in ambienti chiusi e all'esterno per un periodo di tempo prolungato, differenti temperature, ambienti più o meno puliti	Da semestrale a annuale
Da grave a continuo	Edilizia commerciale, petrolio e gas, attività mineraria	Condizioni di stoccaggio estreme, utilizzo in ambienti aperti prolungato o continuo, differenti temperature, ambienti sporchi	Da trimestrale a semestrale

1 Persona autorizzata: una persona incaricata dal datore di lavoro di svolgere delle mansioni in un luogo in cui la persona sarà esposta a pericolo di caduta.

2 Soccorritore: persona o persone diverse dal soggetto a rischio che agiscono per compiere un salvataggio assistito tramite il funzionamento di un sistema di salvataggio.

3 Persona competente: individuo designato dal datore di lavoro come responsabile della diretta supervisione, implementazione e monitoraggio del programma di protezione anticaduta dei dipendenti. Individuo che, grazie a formazione e conoscenza, è in grado di individuare, valutare e affrontare i pericoli di caduta potenziali ed esistenti e che ha l'autorizzazione del datore di lavoro di mettere prontamente in atto azioni correttive nei confronti di tali pericoli.

3.0 Installazione

- 3.1 PIANIFICAZIONE:** pianificare il sistema di protezione anticaduta prima di iniziare i lavori. Considerare tutti i fattori che possono influire sulla propria sicurezza prima, durante e dopo una caduta. Prendere in considerazione tutti i requisiti e le limitazioni definite nella Sezione 2.

Nella maggior parte delle applicazioni, l'SRD Nano-Lok può essere collegato all'ancoraggio o alla posizione dorsale dell'imbracatura. Sono consentiti entrambi gli orientamenti ad eccezione di quanto riportato nella Sezione 4

- 3.2 ANCORAGGIO:** la Figura 7 mostra i tipici connettori d'ancoraggio dell'SRD. Selezionare una posizione di ancoraggio con pericolo minimo di caduta libera e di caduta con pendolo (vedere la Sezione 1). Selezionare un punto di ancoraggio rigido capace di sostenere i carichi statici come descritto nella Sezione 1. Se l'ancoraggio al di sopra del capo non è possibile, fissare gli SRD Nano-Lok a un punto di ancoraggio al di sotto del livello dell'attacco dorsale a D dell'utente. Per gli utenti fino a 140 kg (310 libbre) il punto di ancoraggio non deve superare la distanza di 1,5 m (5 piedi) al di sotto dell'attacco dorsale a D.

- 3.3 MONTAGGIO DELL'IMBRACATURA:** alcuni modelli di SRD comprendono un'interfaccia dell'imbracatura con dispositivo retrattile singolo o doppio per il montaggio di SRD sull'imbracatura integrale subito sotto l'attacco dorsale a D:

alcune imbracature integrali sono provviste di un SRD Link personale (PSRL Link) che integra l'Attacco dorsale a D con elementi di ancoraggio per Dispositivi autoretrattili montati sull'imbracatura (Figura 8). È anche possibile collegare l'SRD all'attacco dorsale a D dell'imbracatura con un moschettone o gancio doppia leva.

- **Montaggio dell'imbracatura con SRD singolo:** dove la mobilità dell'operatore è critica, è possibile utilizzare l'interfaccia dell'imbracatura con SRD per montare l'SRD sul retro dell'imbracatura integrale subito sotto l'attacco dorsale a D (vedere la Figura 9). L'operatore può quindi collegarsi ai vari punti di ancoraggio situati su tutto il lato, tramite l'estremità del cordino dell'SRD senza ripetere l'installazione del dispositivo retrattile. Per montare l'SRD su un'imbracatura integrale con l'interfaccia dell'imbracatura con SRD:
 - 1. Allentare il nastro tessile dell'imbracatura:** estrarre le cinghie (A) passate attraverso la parte inferiore dell'attacco dorsale a D (B) finché non vi è lo spazio sufficiente per inserire l'interfaccia dell'imbracatura con SRD tra le cinghie e l'imbottitura dell'anello a D.
 - 2. Aprire l'interfaccia dell'imbracatura:** premere i pulsanti di bloccaggio (C) contemporaneamente e tirare fuori il perno di bloccaggio (D).
 - 3. Aggiungere l'SRD sull'interfaccia dell'imbracatura:** inserire l'attacco aperto sull'interfaccia dell'imbracatura tramite l'occhiello girevole sull'SRD (E). Inserire l'interfaccia tramite l'occhiello girevole in modo che gli SRD pendano dalla dorsale dell'interfaccia dell'imbracatura (F).
 - 4. Posizionare l'interfaccia dell'imbracatura intorno alle cinghie:** posizionare l'attacco aperto dell'interfaccia dell'imbracatura intorno alle cinghie allentate (A).
 - 5. Chiudere l'interfaccia dell'imbracatura:** spingere il perno di blocco dell'interfaccia dell'imbracatura (D) attraverso le cinghie allentate (A) finché non scatta in posizione nell'estremità opposta dell'interfaccia stessa. Tirare le cinghie attraverso l'attacco dorsale a D e l'imbottitura posteriore per fissare l'interfaccia dell'imbracatura.

Il nastro rosso all'estremità della manopola del perno di blocco dell'interfaccia dell'imbracatura verrà esposto se l'interfaccia dell'imbracatura è sbloccata. Per evitare il rilascio accidentale del collegamento, verificare sempre che l'interfaccia dell'imbracatura sia bloccata prima di utilizzare l'imbracatura e collegare l'SRD. L'inosservanza potrebbe provocare lesioni, anche mortali.

- **Montaggio dell'imbracatura con SRD doppio:** nelle applicazioni di salita, in cui è necessario il dispositivo 100% Tie-off, è possibile utilizzare l'interfaccia dell'imbracatura con SRD per montare due SRD affiancati sul retro di un'imbracatura integrale subito sotto l'attacco dorsale a D (vedere la Figura 9). Per montare due SRD su un'imbracatura integrale con l'interfaccia dell'imbracatura con SRD:
 - 1. Allentare il nastro tessile dell'imbracatura:** estrarre le cinghie (A) passate attraverso la parte inferiore dell'attacco dorsale a D (B) finché non vi è lo spazio sufficiente per inserire l'interfaccia dell'imbracatura con SRD tra le cinghie e l'imbottitura dell'anello a D.
 - 2. Aprire l'interfaccia dell'imbracatura:** premere i pulsanti di bloccaggio (C) contemporaneamente e tirare fuori il perno di bloccaggio (D).
 - 3. Posizionare gli SRD sull'interfaccia dell'imbracatura:** inserire l'attacco aperto sull'interfaccia dell'imbracatura attraverso l'occhiello girevole in ciascun SRD (E). Inserire l'interfaccia tramite l'occhiello girevole in modo che gli SRD pendano dalla dorsale dell'interfaccia dell'imbracatura (F).
 - 4. Posizionare l'interfaccia dell'imbracatura intorno alle cinghie:** posizionare l'attacco aperto dell'interfaccia dell'imbracatura intorno alle cinghie allentate (A).
 - 5. Chiudere l'interfaccia dell'imbracatura:** spingere il perno di blocco dell'interfaccia dell'imbracatura (D) attraverso le cinghie allentate (A) finché non scatta in posizione nell'estremità opposta dell'interfaccia stessa. Tirare le cinghie attraverso l'attacco dorsale a D e l'imbottitura posteriore per fissare l'interfaccia dell'imbracatura.

Il nastro rosso all'estremità della manopola del perno di blocco dell'interfaccia dell'imbracatura verrà esposto se l'interfaccia dell'imbracatura è sbloccata. Per evitare il rilascio accidentale del collegamento, verificare sempre che l'interfaccia dell'imbracatura sia bloccata prima di utilizzare l'imbracatura e collegare l'SRD. L'inosservanza potrebbe provocare lesioni, anche mortali.

- **Montaggio dell'imbracatura con anello a D fisso e SRD doppio:** la versione precedente delle imbracature integrali ExoFit con un anello a D fisso necessita di un'interfaccia dell'imbracatura con SRD speciale per fissare due SRD sul retro dell'imbracatura subito sotto l'attacco dorsale a D. Per montare due SRD su un'imbracatura integrale ExoFit con l'interfaccia dell'imbracatura con anello a D fisso e SRD (Figura 10):
 1. **Allentare il nastro tessile dell'imbracatura:** estrarre le cinghie (A) passate attraverso la parte inferiore dell'attacco dorsale a D (B) finché non vi è lo spazio sufficiente per inserire l'interfaccia dell'imbracatura con SRD tra le cinghie e l'imbottitura posteriore.
 2. **Aprire l'interfaccia dell'imbracatura:** con l'interfaccia dell'imbracatura con SRD orientata come mostrato, spingere il manicotto di bloccaggio (C) verso destra, quindi ruotare in senso orario per sbloccare l'attacco (D). Muovere l'attacco (D) verso il basso per aprire.
 3. **Inserire il primo SRD sull'interfaccia dell'imbracatura:** far passare la parte anteriore del connettore (E) attraverso l'occhiello girevole (F) sull'SRD, quindi far girare il dispositivo SRD intorno all'estremità dell'attacco del connettore (G). È possibile chiudere l'attacco per lasciare spazio all'occhiello girevole tra l'attacco e il gancio del connettore.
 4. **Posizionare l'interfaccia dell'imbracatura intorno alle cinghie:** inserire la parte anteriore del connettore (E) dietro le cinghie (A). Far girare il connettore dietro le cinghie finché non le circonda completamente.
 5. **Aggiungere il secondo SRD sull'interfaccia dell'imbracatura:** far scorrere l'occhiello girevole dell'SRD (F) sulla parte anteriore del connettore (E) e posizionarlo all'estremità della parte anteriore del connettore.
 6. **Chiudere l'interfaccia dell'imbracatura:** consentire all'attacco (D) di chiudersi e al manicotto di bloccaggio (C) di tornare in posizione di blocco. Dopo aver chiuso l'interfaccia dell'imbracatura, tirare le cinghie (A) attraverso l'attacco dorsale a D per eliminare allentamenti nel nastro tessile e fissare l'interfaccia dell'imbracatura tra le cinghie e l'imbottitura posteriore.
- **Moschettone doppio 3M® DBI-SALA®:** il moschettone doppio 3M® DBI-SALA® è stato progettato per montare due SRD Nano-Lok affiancati sul retro di un'imbracatura integrale subito sotto l'attacco dorsale a D (vedere la Figura 12). Per montare due SRD Nano-Lok su un'imbracatura integrale con il moschettone doppio:
 1. **Allentare il nastro tessile dell'imbracatura:** estrarre le cinghie (A) passate attraverso la parte inferiore dell'attacco dorsale a D (B) finché non vi è lo spazio sufficiente per inserire l'interfaccia a forcilla tra le cinghie e l'imbottitura dell'anello a D.
 2. **Aprire il moschettone doppio:** premere sul dispositivo di inserimento del connettore (C) per sganciare i morsetti (D) dal connettore, quindi muovere il dispositivo di inserimento del connettore verso l'alto per sbloccare l'attacco. Spingere l'attacco (E) verso l'interno per aprire il connettore.
 3. **Inserire il primo SRD Nano-Lok nel moschettone doppio:** far passare la parte anteriore del connettore (F) attraverso l'occhiello girevole (G) sul dispositivo anticaduta retrattile, quindi far girare il dispositivo intorno all'estremità dell'attacco del connettore (H). È possibile ruotare l'attacco verso l'estremità per lasciare spazio all'occhiello girevole tra l'attacco e il gancio del connettore.
 4. **Posizionare il moschettone doppio intorno alle cinghie:** con l'attacco rivolto verso l'alto, inserire la parte anteriore del connettore (F) dietro le cinghie (A). Far girare il connettore dietro le cinghie finché non le circonda completamente.
 5. **Aggiungere il secondo SRD Nano-Lok nel moschettone doppio:** far scorrere l'occhiello girevole del dispositivo anticaduta retrattile (G) sulla parte anteriore del connettore (F) e posizionare l'occhiello girevole del dispositivo all'estremità della parte anteriore del connettore (F). Chiudere l'attacco (E).
 6. **Chiudere il moschettone doppio:** ruotare il dispositivo di inserimento del connettore (C) in avanti per fissare i morsetti (D) al connettore. Una volta chiusi, far passare le cinghie attraverso lo slot di cinghiaggio (J) nella parte superiore del dispositivo di inserimento del connettore e fissare gli occhielli girevoli dell'SRD negli incavi (K) su entrambi i lati del dispositivo di inserimento del connettore. Dopo aver chiuso l'interfaccia dell'imbracatura, tirare le cinghie (A) attraverso l'attacco dorsale a D e l'imbottitura per eliminare allentamenti nel nastro tessile e fissare il connettore tra le cinghie e l'imbottitura dell'anello a D.
- **Moschettone con perno doppio 3M® DBI-SALA®:** questo attacco dell'imbracatura può essere utilizzato per montare uno o due dispositivi anticaduta retrattili Nano-Lok nelle applicazioni di salita (vedere la Figura 11), in cui è necessario il dispositivo 100% Tie-off:
 1. **Allentare il nastro tessile dell'imbracatura:** estrarre le cinghie (A) passate attraverso la parte inferiore dell'attacco dorsale a D (B) finché non vi è lo spazio sufficiente per inserire l'interfaccia a forcilla tra le cinghie e l'imbottitura dell'anello a D.
 2. **Per la configurazione singola:** posizionare l'occhiello girevole di un singolo dispositivo anticaduta retrattile nello spazio aperto centrale.
 3. **Per la configurazione doppia:** posizionare l'occhiello girevole di un dispositivo anticaduta retrattile nello spazio aperto più vicino al perno e un altro dispositivo nello spazio aperto più lontano dal perno.
 4. Far scorrere il perno riportandolo in posizione finché non si sente un clic. Il perno dovrebbe essere saldamente bloccato in posizione.
 5. Premere contemporaneamente i due pulsanti sul lato del connettore nell'imbracatura facendo scorrere il perno per rimuoverlo. In questo modo si crea uno spazio aperto.
 6. Ridurre di poco il gioco del nastro tessile direttamente sotto l'attacco dorsale a D nell'imbracatura. Posizionare il lato del connettore nell'imbracatura sotto l'anello a D.
 7. Far scorrere il perno riportandolo in posizione assicurandosi che resti sotto entrambi gli strati di nastro tessile dell'imbracatura finché non si sente un clic. Il perno dovrebbe essere saldamente bloccato in posizione.

4.0 FUNZIONAMENTO

Coloro che utilizzano per la prima volta i dispositivi autoretrattili (SRD) o non li utilizzano di frequente devono rivedere le informazioni sulla sicurezza all'inizio di questo manuale prima di utilizzare l'SRD.

- 4.1 PRIMA DI CIASCUN UTILIZZO:** prima di utilizzare l'attrezzatura di protezione anticaduta, ispezionarla attentamente per verificare che sia in condizioni idonee all'uso. Controllare che non vi siano parti usurate o danneggiate. Assicurarsi che tutti i bulloni siano presenti e ben fissati. Verificare che la fune dispositivo si riavvolga correttamente tirandola e lasciando che si riavvolga lentamente. In caso di esitazione durante la fase di ritrazione, ritirare l'unità dal servizio e distruggerla. Verificare l'assenza di tagli, sfilacciature, bruciature, schiacciamenti e corrosioni. Controllare l'azione di bloccaggio tirando fermamente il cavo. Per i dettagli relativi all'ispezione, consultare il Registro di ispezione e manutenzione (tabella 3). Se l'ispezione rivela una condizione non sicura, non utilizzare l'attrezzatura.
- 4.2 DOPO UNA CADUTA:** qualsiasi attrezzatura sottoposta alle forze per l'arresto di una caduta o che mostri danni conformi con l'effetto delle forze d'arresto caduta, come descritto nella Tabella 3, deve essere immediatamente ritirata dal servizio e distrutta.
- 4.3 SUPPORTO PER IL CORPO:** quando si utilizzano i dispositivi SRD, è necessario indossare un'imbracatura integrale. Per usi generici in termini di protezione anticaduta, connettere l'anello a D sul retro (dorsale).
- 4.4 REALIZZAZIONE DEI COLLEGAMENTI:** la Figura 5 illustra i collegamenti per l'ancoraggio e l'imbracatura per i sistemi d'arresto caduta SRD. Quando si utilizza un gancio per fare una connessione, verificare che non vi siano fuoriuscite (vedere la Figura 5). Non utilizzare ganci o connettori che non si chiudono completamente sopra gli oggetti da agganciare. Non utilizzare ganci a doppia leva privi di bloccaggio. L'ancoraggio deve essere conforme ai requisiti relativi alla forza di ancoraggio previsti nella Tabella 2. Rispettare le istruzioni fornite dal produttore con ogni componente del sistema.
- 4.5 NORMALE USO:** prima dell'utilizzo, ispezionare il dispositivo SRD come descritto nella Tabella 3. La Figura 14 mostra i collegamenti del sistema per le applicazioni SRD tipiche. Collegare il dispositivo a un ancoraggio idoneo o montarlo sul retro dell'imbracatura integrale secondo le istruzioni riportate nella Sezione 3. Sugli SRD collegati all'ancoraggio, collegare il gancio (D) o moschettone sull'indicatore di carico all'attacco dorsale a D (A) sull'imbracatura integrale. Sugli SRD montati sull'imbracatura, collegare il gancio (D) o moschettone a un ancoraggio idoneo. Verificare che le connessioni siano compatibili per dimensioni, forma e resistenza. Assicurarsi che i ganci siano perfettamente chiusi e bloccati. Una volta attaccato, l'operatore è libero di spostarsi all'interno dell'area di lavoro consigliata a velocità normale. In caso di caduta, il dispositivo SRD la bloccherà e arresterà. Dopo un salvataggio, rimuovere il dispositivo SRD dall'uso. Quando si lavora con un dispositivo SRD, consentire sempre alla fune dispositivo di riavvolgersi nel dispositivo sotto controllo.
- 4.6 FUNZIONALITÀ 100% TIE-OFF DELL'INTERFACCIA CON SRD DOPPIO:** quando i due SRD sono montati affiancati sul retro di un'imbracatura integrale, il sistema d'arresto caduta SRD può essere utilizzato per una protezione anticaduta continua (100% Tie-off) durante la salita, la discesa o lo spostamento laterale (vedere la Figura 15). Con la gamba del cordino di un SRD collegato a un punto di ancoraggio, l'operatore può spostarsi in una nuova posizione, collegare la gamba del cordino non utilizzata dell'SRD a un altro punto di ancoraggio, quindi scollegare il punto di ancoraggio originale. La sequenza viene ripetuta dall'operatore fino al raggiungimento della posizione desiderata. Considerazioni sulle applicazioni con funzionalità 100% Tie-off dell'SRD doppio:
- Non collegare mai entrambi i cordini dell'SRD allo stesso punto di ancoraggio (vedere la Figura 16A).
 - Il collegamento di più di un connettore in un ancoraggio singolo (anello od occhiello) può compromettere la compatibilità del collegamento a causa dell'interazione tra i due connettori e non è consigliabile.
 - Il collegamento di ciascun cordino dell'SRD a un punto di ancoraggio diverso è accettabile (Figure 16B).
 - Ciascuna posizione di collegamento deve sostenere indipendentemente 10 kN (2.248 libbre) o deve trattarsi di un sistema d'ingegneria, ad esempio una linea vita orizzontale.
 - Non collegare mai più di una persona alla volta al sistema SRD doppio (Figura 16C).
 - Non incrociare o intrecciare i cordini per non ostruire la loro ritrazione.
 - Non far passare i cordini sotto braccia o gambe durante l'uso.
- 4.7 MONTAGGIO DELL'ANELLO DORSALE A D CON SRD DOPPIO:** i modelli con moschettone a tripla azione possono essere montati sull'anello dorsale a D in una configurazione doppia. Per montare due SRD sull'anello dorsale a D di un'imbracatura (Figura 13):
1. **Aprire il moschettone a tripla azione:** con il moschettone a tripla azione orientato come illustrato, spingere il manicotto di bloccaggio (C) a destra, quindi ruotare in senso orario per sbloccare l'attacco (D). Muovere l'attacco (D) verso il basso per aprire.
 2. **Inserire il primo SRD sul moschettone a tripla azione:** far passare la parte anteriore del connettore (E) attraverso l'occhiello girevole (F) sull'SRD, quindi far girare il dispositivo SRD intorno all'estremità dell'attacco del connettore (G). È possibile chiudere l'attacco per lasciare spazio all'occhiello girevole tra l'attacco e il gancio del connettore.
 3. **Aggiungere il secondo SRD al moschettone a tripla azione:** far scorrere l'occhiello girevole dell'SRD (F) nella parte anteriore del connettore (E).
 4. **Inserire il moschettone a tripla azione attraverso l'anello a D:** far passare la parte anteriore del connettore (E) attraverso l'attacco dorsale a D (A). Ruotare il connettore attraverso l'anello a D finché l'attacco non è chiuso.
 5. **Chiudere il moschettone a tripla azione:** consentire all'attacco (D) di chiudersi e al manicotto di bloccaggio (C) di tornare in posizione di blocco.
- 4.8 SISTEMI ORIZZONTALI:** nelle applicazioni in cui l'SRD viene usato insieme a un sistema orizzontale (ad esempio, linea vita orizzontale, travi profilate e carrelli orizzontali), i componenti del dispositivo SRD e del sistema orizzontale devono essere compatibili. I sistemi orizzontali devono essere progettati e installati sotto la supervisione di un tecnico qualificato. Per dettagli, consultare le istruzioni fornite dal produttore dell'attrezzatura del sistema orizzontale.

I valori del tirante d'aria di caduta nella Figura 4 si riferiscono ad ancoraggi a un punto di ancoraggio rigido fisso e non valgono per gli ancoraggi a un sistema linea vita orizzontale (Horizontal Lifeline, HLL). Per stabilire i tiranti d'aria di caduta richiesti, consultare il manuale di istruzione e l'installatore del sistema HLL.

5.0 Ispezione

- 5.1 ETICHETTA RFID:** il dispositivo autoretrattile comprende un'etichetta di identificazione a radiofrequenza (RFID) (vedere la Figura 17). La targhetta RFID può essere usata con il dispositivo manuale di lettura e il portale web sia per semplificare l'ispezione e il controllo dell'inventario, sia per fornire informazioni sull'attrezzatura di protezione anticaduta. Per i dettagli, consultare un rappresentante del Servizio clienti 3M (vedere la terza di copertina). Seguire le istruzioni fornite con il dispositivo portatile di lettura o nel portale Web per trasferire i dati nel proprio registro Web.
- 5.2 FREQUENZA DI ISPEZIONE:** il dispositivo autoretrattile deve essere ispezionato agli intervalli definiti nella Sezione 2. Le procedure di ispezione sono descritte nella Sezione "Registro di ispezione e manutenzione" (Tabella 3).

Condizioni di lavoro estreme (ambienti proibitivi, uso prolungato ecc.) possono richiedere un incremento nella frequenza delle ispezioni (vedere la Tabella 2).

- 5.3 CONDIZIONI DI NON SICUREZZA O DIFETTO:** se, a seguito dell'ispezione, viene individuata una condizione di non sicurezza o difetto, ritirare immediatamente l'SRD dal servizio e gettarlo via (vedere la Sezione 6).

Solo 3M o centri con autorizzazione scritta possono procedere alla riparazione di questa attrezzatura.

- 5.4 DURATA DEL PRODOTTO:** la vita di funzionamento dei dispositivi autoretrattili 3M è determinata dalle condizioni di lavoro e dalla manutenzione. L'articolo può rimanere in servizio, finché è in grado di soddisfare i criteri di ispezione (nell'ambito della vita del prodotto massima). La durata massima dell'SRD con fune dispositivo in nastro tessile è non più di 10 anni dalla data di fabbricazione.

6.0 MANUTENZIONE, ASSISTENZA E STOCCAGGIO

- 6.1 PULIZIA:** le procedure di pulizia per il dispositivo SRD sono le seguenti:

- Pulire periodicamente l'esterno dell'SRD utilizzando una soluzione a base di acqua e detergente. Posizionare l'SRD in modo che l'acqua in eccesso possa essere espulsa. Pulire le etichette secondo necessità.
- Pulire la fune dispositivo in nastro tessile con acqua e un detergente neutro. Risciacquare e asciugare accuratamente all'aria. Non asciugare applicando calore. Verificare che la fune dispositivo sia asciutta prima di consentirne il movimento retrattile nell'alloggiamento. Un accumulo eccessivo di sporizia o vernice può impedire una ritrazione completa della fune dispositivo nell'alloggiamento causando un potenziale pericolo di caduta libera.

- 6.2 MANUTENZIONE:** i dispositivi SRD non sono riparabili. Se il dispositivo SRD è stato sottoposto a forza di caduta o in seguito a un'ispezione viene individuata una condizione di non sicurezza o difetto, ritirare immediatamente l'SRD dal servizio e gettarlo via (vedere "Smaltimento").

- 6.3 STOCCAGGIO/TRASPORTO:** conservare e trasportare l'SRD in un ambiente fresco, asciutto e pulito, lontano dalla luce diretta del sole. Evitare zone con vapori chimici. Ispezionare accuratamente il dispositivo SRD dopo un periodo di stoccaggio prolungato.

- 6.4 SMALTIMENTO:** smaltire l'SRD se è stato sottoposto a forza d'arresto caduta o se un'ispezione ne rivela la condizione non sicura o difettosa. Prima di smaltire l'SRD, tagliare la fune dispositivo a metà oppure disattivare l'SRD per non correre il rischio di riutilizzarlo inavvertitamente.

7.0 Etichette

La Figura 22 mostra alcune etichette sui dispositivi autoretrattili e le loro posizioni. Tutte le etichette devono essere presenti sull'SRD. Sostituire le etichette se non sono completamente leggibili. Le immagini grafiche sulle etichette sono definite come riportato di seguito:

1	Ispezionare il gancio a scatto e l'indicatore di caduta.
2	Ispezionare l'azione di bloccaggio del cavo SRL.
3	Sistema corretto per la connessione del cavo SRL all'imbracatura.
4	Bordo non tagliente certificato. Può essere collegato a un punto di ancoraggio superiore, inferiore o uguale all'attacco dorsale a D (140 kg massimo).
5	Intervallo temperatura di esercizio: da -40 °C a +60 °C
6	Capacità massima 140 kg
7	Consentire sempre alla fune dispositivo SRD di riavvolgersi nel dispositivo sotto controllo.
8	Non riparare.
9	Conservare in un ambiente fresco, asciutto e pulito, lontano dalla luce diretta del sole.
10	Non caricare su un bordo.
11	Non rimuovere questa etichetta.

Tabella 3 - Registro di ispezione e manutenzione

Numeri di serie:		Data di acquisto:	
Numero modello:		Data del primo utilizzo:	
Data di ispezione:		Ispezionato da:	
Componente:	Ispezione: (vedere la Sezione 2 per la <i>Frequenza delle ispezioni</i>)	Superato	Non superato
SRD (Figura 18)	Verificare che il dispositivo non presenti fissaggi allentati e parti piegate o danneggiate.	<input type="checkbox"/>	<input type="checkbox"/>
	Verificare che l'alloggiamento (A) non presenti parti distorte, crepe o altri danneggiamenti.	<input type="checkbox"/>	<input type="checkbox"/>
	Ispezionare il perno girevole (B) e l'occhiello girevole (C) o il connettore integrale (D) per verificare l'assenza di parti distorte, crepe o altri danni. Connettere fermamente il perno girevole al dispositivo SRL, senza però impedirne la libera rotazione. L'occhiello girevole o il connettore integrale deve poter ruotare liberamente sul perno girevole.	<input type="checkbox"/>	<input type="checkbox"/>
	La fune dispositivo in nastro tessile (E) deve disimpegnarsi e ritrarsi completamente senza esitazione o senza creare condizioni di cavo lasco.	<input type="checkbox"/>	<input type="checkbox"/>
	Assicurarsi che il dispositivo SRD si blocchi quando la fune dispositivo viene tirata con forza. Il blocco deve essere deciso, senza slittamenti.	<input type="checkbox"/>	<input type="checkbox"/>
	Tutte le etichette devono essere presenti e completamente leggibili (vedere la Figura 20).	<input type="checkbox"/>	<input type="checkbox"/>
	Verificare la presenza di corrosione sull'intero dispositivo SRD.	<input type="checkbox"/>	<input type="checkbox"/>
Connettori terminali (Figura 19)	La tabella 2 identifica i connettori terminali che dovrebbero essere inclusi nel modello di SRD Nano-Lok. Verificare che ganci doppia leva, moschettoni, connettori a doppia leva, interfacce e così via non presentino danni, segni di corrosione e che siano in condizioni di lavoro idonee. Dove presenti: gli attacchi devono poter essere aperti, chiusi, bloccati e sbloccati correttamente e i pulsanti di bloccaggio, nonché i perni di blocco devono funzionare propriamente.	<input type="checkbox"/>	<input type="checkbox"/>
Fune dispositivo in nastro tessile (Figura 20)	Ispezione del nastro tessile: il materiale deve essere privo di tagli (A), sfilacciature (B) o fibre rotte. Verificare l'eventuale presenza di strappi, abrasioni, sporco eccessivo (C), muffa, bruciature (D) o scolorimento. Ispezionare le cuciture per rilevare la presenza di eventuali punti tirati o tagliati. I punti rotti possono essere un segnale che l'imbracatura ha subito un carico da impatto e deve essere rimossa dal servizio.	<input type="checkbox"/>	<input type="checkbox"/>
Assorbitore di energia (Figura 21)	Verificare che l'assorbitore di energia integrale non sia stato attivato. Un rivestimento aperto o rotto (A), il nastro tirato fuori dalla copertura, rotto o sfilacciato (B), una cucitura strappata ecc. sono indicatori di un assorbitore di energia attivato.	<input type="checkbox"/>	<input type="checkbox"/>
Azione correttiva/Manutenzione:		Approvato da:	
		Data:	
Azione correttiva/Manutenzione:		Approvato da:	
		Data:	
Azione correttiva/Manutenzione:		Approvato da:	
		Data:	
Azione correttiva/Manutenzione:		Approvato da:	
		Data:	
Azione correttiva/Manutenzione:		Approvato da:	
		Data:	
Azione correttiva/Manutenzione:		Approvato da:	
		Data:	
Azione correttiva/Manutenzione:		Approvato da:	
		Data:	

ინფორმაცია უსაფრთხოების შესახებ

მოცემული თვითშემტაცი მონყობილობის (SRD) გამოყენებამდე წაიკითხეთ, გაეცანით და ბოლომდე შეასრულეთ ამ ინსტრუქციებში მითითებული ინფორმაცია უსაფრთხოების შესახებ. წინამდებარე ინსტრუქციების დაუცველობას შეიძლება მოჰყვეს სხეულის სერიოზული დაზიანება ან სიკვდილი.

წინამდებარე ინსტრუქციები უნდა გადაეცეს ამ მონყობილობის მომხმარებელს. შეინახეთ ეს ინსტრუქციები მომავალში საცნობაროდ.

დანიშნულება:

თვითშემტაცი მონყობილობა გამოიყენება, როგორც სიმალიდან ვარდნის საწინააღმდეგო ინდივიდუალური დაცვის სისტემის ნაწილი.

მისი გამოყენება დაუშვებელია სხვა პირობებში, როგორცაა (თუმცა ამით არ შემოიფარგლება): მასალის ჩატვირთვა-გადმოტვირთვის სამუშაოები, გასართობი ან სპორტული საქმიანობა, ან სხვა საქმიანობა, რომელიც არ არის აღწერილი მომხმარებლის ინსტრუქციებში, არ არის ნებადართული 3M-ის მიერ და შეიძლება გამოიწვიოს სხეულის სერიოზული დაზიანება ან სიკვდილი.

მოცემული მონყობილობის გამოყენება ნებადართულია მხოლოდ სათანადოდ განვრთვნილი მომხმარებლისათვის სამუშაო ადგილზე გამოსაყენებლად.

! გაფრთხილება

ეს თვითშემტაცი მონყობილობა არის სიმალიდან ვარდნის საწინააღმდეგო ინდივიდუალური დაცვის სისტემის ნაწილი. მისი ყველა მომხმარებელი სრულად უნდა იყოს მომზადებული ვარდნისაგან დაცვის ინდივიდუალური სისტემის უსაფრთხო მონტაჟსა და გამოყენებაში. **მოცემული მონყობილობის არასწორად გამოყენებას შეიძლება მოჰყვეს სხეულის სერიოზული დაზიანება ან სიკვდილი.** ამ მონყობილობის სათანადოდ შერჩევის, ექსპლუატაციის, დამონტაჟების, მოვლა-შენახვისა და ტექნომონტაჟების მიზნით იხილეთ მოცემული მომხმარებლის ინსტრუქციები, მათ შორის, დამამზადებლის ყველა რეკომენდაცია; მიმართეთ თქვენს ხელმძღვანელს ან დაუკავშირდით 3M-ის ტექნიკურ სამსახურს.

- სიმალიზე მუშაობასთან დაკავშირებული რისკების შესამცირებლად, რომლებსაც, თუ არ მოვერიდებით, შეიძლება მოჰყვეს სხეულის სერიოზული დაზიანება ან სიკვდილი:**
 - ყოველი გამოყენების წინ გულდასმით დაათვალიერეთ თვითშემტაცი და შეამოწმეთ სწორად თუ იკეტება და შეიტაცება.
 - თუ შემომწმების დროს რაიმე არაუსაფრთხო ან დეფექტური გამოვლინდება, ამოიღეთ მონყობილობა ექსპლუატაციიდან, გაარემონტეთ ან გამოცვალეთ, როგორც ეს მომხმარებლის ინსტრუქციებშია აღწერილი.
 - თუ თვითშემტაცზე ვარდნის შეჩერება ან სხვა ძალა იმოქმედებს, ეს თვითშემტაცი სასწრაფოდ უნდა ამოვიღოთ მომხმარებლისა და დავაკრათ „უვარგისის“ ეტიკეტით.
 - საანკერო ხაზი არაფერს არ უნდა ეხებოდეს და არაფერი არ უნდა აბრკოლებდეს. ამაში იგულისხმება მინიმუმ შემდეგი: გადახლართვა სხვა მანქანა-დანადგართან ან მონყობილობასთან (მაგ., ნავთობის ჭაბურღილის ზედა ამძრავთან), სხვა მუშებთან, საკუთარ თავთან, გარშემო არსებულ საგნებთან ან საანკერო ხაზზე, მუშაზე ზემოდან ჩამოვარდნილი საგნების დაცემა და სხვა.
 - საანკერო ხაზი ყოველთვის ბოლომდე მოჭიმული უნდა იყოს. საანკერო ხაზს ნურასოდეს გადააბამთ ან გაკვანძავთ.
 - თვითშემტაცის თათი/თათები, რომლებსაც არ იყენებთ, მიაბარეთ საკიდრის დროებით სადგომზე/სადგომებზე, თუ ასეთი გვაქვს.
 - ისეთ ადგილზე ნუ გამოიყენებთ, სადაც ვარდნის გზაზე დაბრკოლება იარსებებს. თუ ნელა ნაწევლებად მასალაზე ვმუშაობთ, როგორცაა ქვიშა ან ღორღი ან შეზღუდულ სივრცეში ვასრულებთ მოქმედებებს, მუშა შეიძლება საკმარისი სიჩქარე ვერ განავითაროს, რათა თვითშემტაცი ავტომატურად ჩაიკეტოს. თვითშემტაცის დადებითი ჩაქვტვისათვის ვარდნის მარშრუტი ცარიელი უნდა იყოს.
 - ჩვეულებრივ სამუშაო ოპერაციებში მკვეთრ მოძრაობებს მოერიდეთ. ამან შეიძლება თვითშემტაცის ჩაქვტვა გამოიწვიოს.
 - დარწმუნდით, რომ ვარდნისაგან დამცავი სისტემები/ქვესისტემები, რომლებიც აწყობილია სხვადასხვა დამამზადებლების კომპონენტებისაგან, იყოს თავსებადი და აკმაყოფილებდეს მოქმედი სტანდარტების მოთხოვნებს, მათ შორის ANSI Z359-ის ან ვარდნისაგან დაცვის სხვა წესებს, სტანდარტებსა და მოთხოვნებს. ამ სისტემების გამოყენებამდე ყოველთვის გაიარეთ კონსულტაცია კომპეტენტურ ან/და კვალიფიცირებულ პირთან.
- სიმალიზე მუშაობასთან დაკავშირებული რისკების შესამცირებლად, რომლებსაც, თუ არ მოვერიდებით, შეიძლება გამოიწვიოს სხეულის სერიოზული დაზიანება ან სიკვდილი:**
 - დარწმუნდით, რომ თქვენი ჯანმრთელობა ან ფიზიკური მდგომარეობა საშუალებას გაძლევთ, უსაფრთხოდ გაუძლოთ სიმალიზე მუშაობის დროს არსებული ყველა ძალის ზემოქმედებას. გაიარეთ ექიმის კონსულტაცია, თუ გექნება რაიმე შეკითხვა ამ მონყობილობის გამოყენების უნართან დაკავშირებით.
 - ნურასოდეს ნუ გადააჭარბებთ ვარდნისაგან დამცავი მონყობილობის ნებადართულ დატვირთვას.
 - ნურასოდეს ნუ გადააჭარბებთ თქვენი დამცავი მონყობილობის თავისუფალი ვარდნის მაქსიმალურ მანძილს.
 - ნუ გამოიყენებთ ვარდნისაგან დამცავ მონყობილობას, რომელსაც ექსპლუატაციამდე არ ჩატარებია შემოწმება, არ ჩატარებია სხვა დაგეგმილი შემოწმება, ან თუ არ ხართ დარწმუნებული, რომ მოცემული მონყობილობა თქვენი დანიშნულებისათვის შესაფერისია. შეკითხვების შემთხვევაში დაუკავშირდით 3M-ის ტექნიკურ სამსახურს.
 - ზოგიერთმა ქვესისტემამ ან კომპონენტებმა კომბინაციამ შეიძლება შეაფერხოს მონყობილობის მუშაობა. გამოიყენეთ მხოლოდ თავსებადი შემართებლები. თუ ამ მონყობილობას იყენებთ ისეთ კომპონენტებთან ან ქვესისტემებთან, რომლებიც მომხმარებლის ინსტრუქციებში არ არის აღწერილი, ჯერ რჩევისათვის 3M-ის მიმართეთ.
 - გამოიყენეთ დამატებითი დამცავი საშუალებები მოძრავ მონყობილობასთან (მაგ. საბურღი კოშკურების სახურავის ძალური ამძრავი), ელექტრულ საფრთხეებთან, ექსტრემალურ ტემპერატურაზე, ქიმიურ საფრთხეებთან, ასაფეთქებელ და ტოქსიკურ გაზებთან, ბასრ კიდეებთან ან თქვენ თავზე არსებულ მასალასთან მუშაობის დროს, რომელიც შეიძლება დაგვეთ თქვენ ან ვარდნისაგან დამცავ მონყობილობას.
 - გამოიყენეთ ელექტრული რკალის ცეცხლგამძლე ან შედეგებით სამუშაოების მონყობილობები, როცა მალა ტემპერატურაზე მუშაობთ.
 - მოერიდეთ ზედაპირებსა და საგნებს, რომლებსაც შეიძლება ზიანი მიაყენონ მომხმარებელს ან მონყობილობას.
 - სიმალიზე მუშაობის დროს დარწმუნდით, რომ არსებობდეს ვარდნის საკმარისი უსაფრთხო დიაპაზონი.
 - ნურასოდეს შეცვლით და გადააკეთებთ ვარდნისაგან დაცვის მონყობილობას. მონყობილობის რემონტი ნებადართულია მხოლოდ 3M-ის ან იმ მხარეების მიერ, რომლებსაც 3M-ისაგან მიღებული აქვთ წერილობითი ნებართვა.
 - ვარდნისაგან დაცვის მონყობილობის გამოყენებამდე დარწმუნდით, რომ გაქვთ წინასწარ შემუშავებული გადარჩენის გეგმა, რომელიც იძლევა სწრაფად გადარჩენის საშუალებას ვარდნის შემთხვევაში.
 - ვარდნის შემთხვევაში დაუყოვნებლივ მოითხოვეთ სამედიცინო დახმარება ჩამოვარდნილი მუშისათვის.
 - ნუ გამოიყენებთ ნელის ქაშარს ვარდნის შეჩერების მონყობილობებში. გამოიყენეთ მხოლოდ მთელი სხეულის საკიდარი.
 - იმისათვის, რათა რხევითი ვარდნა არ მოხდეს, ზუსტად ანკირების წერტილის ქვეშ უნდა იმუშაოთ.
 - მოცემული მონყობილობის გამოყენებაში მომხმარებლის დროს სავალდებულოა ვარდნისაგან დაცვის მეორადი სისტემის გამოყენება, რომელიც მომხმარებელს დაიცავს უეცარი ვარდნის საფრთხისაგან.

- ყოველთვის უნდა გეცვათ სათანადო ინდივიდუალური დაცვის მოწყობილობა მოწყობილობის/სისტემის მონტაჟის, გამოყენების ან შემოწმების დროს. SIT 5908239 Rev. C

ამ აღჭურვილობის გამოყენებამდე წინამდებარე სახელმძღვანელოს ბოლოს „შემოწმებებისა და ტექნომსახურების ჟურნალში“ გადაწერეთ პროდუქტის საიდენტიფიკაციო ინფორმაცია ID-ის ეტიკეტიდან.

აღწერა:

სურათი 2-ზე ნაჩვენებია 3M™ DBI-SALA-ს ძირითადი კომპონენტები® Nano-Lok-ის თვითშემტაცი მოწყობილობები (SRDs). Nano-Lok-ის SRD-ები არის დოლზე დახვეული საანკერო თოკები (A) ხაზის გაყოფაზე ჩამონტაჟებული ენერჯის შთანთქმელით (B), რომლებიც უკან შეიტაცება ნეილონის ბუდეში (C). ბუდის თავში არის საბრუნო ყუნწი (D), რომელიც უზრუნველყოფს კარაბინით (E) ანკერაჟის სწორ სამაგრ წერტილზე მიმაგრებას ან მთელი სხეულის საკიდრის დამაგრებას საკიდრის ინტერფეისით (F). სურათი 1-ზე ნაჩვენებია Nano-Lok-ის მოდელები თავიანთი სახელწოდებებითა და შემაერთებლების კონფიგურაციებით. Nano-Lok SRD-ისა და შემაერთებლების სპეციფიკაციები იხილეთ 1-ლ ცხრილში.

ცხრილი 1 - სპეციფიკაციები

კომპონენტის სპეციფიკაციები:

SRL-ის ბუდეები	ნეილონი
დოლი	ნეილონი
შიდა კომპონენტები	უჟანგავი ფოლადი, ალუმინი
თოკის საანკერო ხაზი	დაინიშნა პოლიესტერი
ენერჯის შთანთქმელი მენჯი	სახურავი: ნიტრილის რეზინი, თოკი: პოლიესტერი, ნაკერები: პოლიესტერი ან ნეილონის ძაფი
	თუთით დაფარული ფოლადი

შემაერთებლის სპეციფიკაციები:

	აღწერა	მასალა	ჩამკეტი კაუჭის გახსნა	ჩამკეტი კაუჭის გამძლეობა	სიმტკიცე
1	მბრუნავი ყუნწი	ფოლადი	22,35 მმ (0,88 დუიმი) შიდა დიამეტრი	X	22,2 კნ (5000 გირვანქა/22 700 კგ)
2	კარაბინი	ალუმინი	19 მმ (3/4 დუიმი)	16 კნ (3600 გირვანქა/1600 კგ)	22,2 კნ (5000 გირვანქა/2270 კგ)
3	კარაბინი	ფოლადი	19 მმ (3/4 დუიმი)	16 კნ (3600 გირვანქა/1600 კგ)	22,2 კნ (5000 გირვანქა/2270 კგ)
4	ერთი SRD-ის ინტერფეისი	ფოლადი	51 მმ (2 დუიმი)	16 კნ (3600 გირვანქა/1600 კგ)	22,2 კნ (5000 გირვანქა/2270 კგ)
5	ტყუპი SRD-ის ინტერფეისი	ფოლადი ნეილონის საგებით	19 მმ (3/4 დუიმი)	16 კნ (3600 გირვანქა/1600 კგ)	22,2 კნ (5000 გირვანქა/2270 კგ)
6	კარაბინი	ალუმინი, ფოლადი	56 მმ (2,19 დუიმი)	16 კნ (3600 გირვანქა/1600 კგ)	22,2 კნ (5000 გირვანქა/2270 კგ)
7	კარაბინი	ალუმინი	19 მმ (3/4 დუიმი)	16 კნ (3600 გირვანქა/1600 კგ)	22,2 კნ (5000 გირვანქა/2270 კგ)
8	არმატურის კაუჭი	ალუმინი	57 მმ (2-1/4 დუიმი)	16 კნ (3600 გირვანქა/1600 კგ)	22,2 კნ (5000 გირვანქა/2270 კგ)
9	არმატურის კაუჭი	ალუმინი	63 მმ (2-1/2 დუიმი)	16 კნ (3600 გირვანქა/1600 კგ)	22,2 კნ (5000 გირვანქა/2270 კგ)
10	კარაბინი	ალუმინი	52 მმ (2 დუიმი)	16 კნ (3600 გირვანქა/1600 კგ)	22,2 კნ (5000 გირვანქა/2270 კგ)
11	არმატურის კაუჭი	ალუმინი, ფოლადი	63 მმ (2-1/2 დუიმი)	16 კნ (3600 გირვანქა/1600 კგ)	22,2 კნ (5000 გირვანქა/2270 კგ)
12	კარაბინი	ფოლადი	19 მმ (3/4 დუიმი)	16 კნ (3600 გირვანქა/1600 კგ)	22,2 კნ (5000 გირვანქა/2270 კგ)
13	არმატურის კაუჭი	ალუმინი	57 მმ (2-1/4 დუიმი)	16 კნ (3600 გირვანქა/1600 კგ)	22,2 კნ (5000 გირვანქა/2270 კგ)
14	კარაბინიანი კაუჭი	ფოლადი	19 მმ (3/4 დუიმი)	16 კნ (3600 გირვანქა/1600 კგ)	22,2 კნ (5000 გირვანქა/2270 კგ)

მუშაობის ეფექტურობის სპეციფიკაციები:

SRL-ის სპეციფიკაციები (ვერტიკალური)	CE-ის მოდელები	
გამძლეობის საზღვრები	59 კგ - 100 კგ (130 გირვ. - 220 გირვ.)	100 კგ - 140 კგ (220 გირვ. - 310 გირვ.)
მაქსიმალური შემაჩერებელი ძალა	6 კნ (1350 გირვანქა/612 კგ)	6 კნ (1350 გირვანქა/612 კგ)
დამუხრუჭების საშუალო ძალა	4 კნ (900 გირვანქა/408 კგ)	4 კნ (900 გირვანქა/408 კგ)
დამუხრუჭების ოფიციალური მაქსიმალური მანძილი ¹	0,61 მ (24 დუიმი)	0,61 მ (24 დუიმი)
ვარდნის მინიმალური უსაფრთხო დიაპაზონი ¹	1,5 მ (5 ფუტი)	1,8 მ (5,8 ფუტი)
მაქსიმალური თავისუფალი ვარდნა ²	1,5 მ (5 ფუტი)	1,5 მ (5 ფუტი)

1 - მიჩნეულია, რომ SRL დამაგრებულია უშუალოდ მომხმარებლის ზემოთ (თავზე).

2 - იზომება მომხმარებლის დ-რგოლიდან სასიარულო/სამუშაო ზედაპირამდე. დეტალები იხილეთ ვარდნის უსაფრთხო დიაპაზონის ცხრილში/ცხრილებში.

1.0 მოწყობილობები

- 1.1 მიზანი:** თვითშემტაცი მოწყობილობები (SRD) შექმნილია ვარდნის შეჩერების ინდივიდუალურ სისტემებში (PFAS) კომპონენტების სახით გამოსაყენებლად. 1-ლ სურათზე გამოსახულია თვითშემტაცები, რომლებსაც ამ ინსტრუქციებში განვიხილავთ. ისინი უმეტესად გამოიყენება ისეთ სიტუაციებში, როდესაც საჭიროა მუშის მობილურობისა და ვარდნისგან დაცვის კომბინაცია (მაგ. ვიზუალური შემოწმების სამუშაოები, ზოგადი მშენებლობა, ტექნომსახურების სამუშაო, ნავთობის მოპოვება, შეზღუდული სივრცის სამუშაო გარემო და სხვ.).
- 1.2 სტანდარტები:** თქვენი თვითშემტაცი აკმაყოფილებს სახელმწიფო თუ რეგიონულ სტანდარტ(ებ)ს, როგორც ეს მოცემულია წინამდებარე ინსტრუქციების ყდაზე. ვარდნისგან ინდივიდუალური დაცვის სიტემის შესახებ დამატებითი ინფორმაცია იხილეთ სამუშაო უსაფრთხოებასთან დაკავშირებულ ადგილობრივ, შტატისა და ფედერალურ (OSHA) მოთხოვნებში.
- 1.3 წვრთნები:** ეს მოწყობილობა უნდა გამოიყენონ მხოლოდ ამისათვის სათანადოდ გაწვრთნილმა ადამიანებმა. მომხმარებელი ვალდებულია, გაეცნოს მოცემულ ინსტრუქციებს და გაიაროს წვრთნები მოცემული მოწყობილობის სათანადო მოვლასა და გამოყენებაში. მომხმარებელი ასევე უნდა იცნობდეს მის სამუშაო მახასიათებლებს, გამოყენების ფარგლებსა და არასწორი გამოყენების შედეგებს.
- 1.4 შეზღუდვები:** მოცემული აღჭურვილობის გამოყენების დროს ყოველთვის მხედველობაში იქონიეთ მისი შემდეგი შეზღუდვები:

- **ზღვრული დატვირთვა:** თვითშემტაცები ერთმა ადამიანმა უნდა გამოიყენოს, რომლის საერთო წონამ (ტანსაცმლიანად, იარაღებიანად და ა. შ.) უნდა დააკმაყოფილოს 1-ლ ცხრილში მოცემული წონის დიაპაზონის მოთხოვნები. დარწმუნდით იმაში, რომ თქვენი სისტემის აღჭურვილობის ყველა კომპონენტის ზღვრული დატვირთვა უძლებდეს მოცემული დანიშნულებით გამოყენებას.
- **ანკერაჟი:** თვითშემტაცის ანკერაჟის სტრუქტურამ უნდა გაუძლოს 12 კნ-მდე (2697 გირვანქა/1225 კგ) დატვირთვას. ანკერაჟის მოწყობილობა უნდა აკმაყოფილებდეს EN795-ის ან ანკერაჟის შემაერთების სხვა შესაბამის სტანდარტებს.
- **ჩაკეტვის სიჩქარე:** უნდა მოვერიდოთ სიტუაციებს, როცა ვარდნის გზაზე რაიმე დამაბრკოლებელი საგანი შეიძლება იყოს. შეზღუდულ სივრცეებში მუშაობის დროს ვარდნისას სხეულმა შეიძლება ვერ მიაღწიოს ვარდნის ისეთ სიჩქარეს, რომ თვითშემტაცის ჩამკეტი ამოქმედდეს. ნელა გადაადგილებად მასალაზე მუშაობის დროს, როგორცაა ქვიშაში ან ღორღში მუშაობა, შეიძლება საკმარისი სიჩქარე არ განვითარდეს, რომ SRD-ის ჩაკეტვა გამოიწვიოს. თვითშემტაცის დადებითი ჩაკეტვისათვის ვარდნის მარშრუტი ცარიელი უნდა იყოს.
- **თავისუფალი ვარდნა:** როცა ზემოთ ხდება ანკირება, თვითშემტაცები თავისუფალ ვარდნას 0,6 მ-მდე (2 ფუტი) ზღუდავენ¹. იმისათვის, რათა არ დავეუშვათ ვარდნის დიაპაზონის გაზრდა, თვითშემტაცი უშუალოდ სამუშაო სიმაღლის/დონის თავზე მიამაგრეთ. ნურასოდეს დატვირთავთ თვითშემტაცს ისეთ წერტილში, რომლითაც ვარდნის დიაპაზონი 1.5 მ-ზე (5 ფუტი) მეტად გაიზრდება. მოერიდეთ ისეთ ადგილებს მუშობას, სადაც საანკერო ხაზები შეიძლება გადაიკვეთოს ან გაიბლანდოს მეორე მუშის ხაზთან. მოერიდეთ მუშაობას იქ, სადაც საგნები შეიძლება ჩამოვლიდეს და საანკერო ხაზს დაეცეს; ამის შედეგად შეიძლება წონასწორობა დაკარგოს ან საანკერო ხაზი დაზიანდეს. საანკერო ხაზს ილღობის ქვეშ ან ფეხებს შორის ნუ გაატარებთ. ნურასოდეს ნუ მოუჭერთ, გაკვანძავთ ან სხვაგვარად ხელს შეუშლით საანკერო ხაზის შეტაცებას ან მოჭიმულ მდგომარეობაში დარჩენას. საანკერო ხაზს მოშვებულ მდგომარეობაში ნუ დაუშვებთ. **3M-ისაგან რჩევის მიღების გარეშე ნუ დააგრძელებთ თვითშემტაცებს მათზე საჭიშრების ან მსგავსი კომპონენტების მიმაგრებით.**
- **რხევით ვარდნა:** რხევით ვარდნას ადგილი აქვს, როცა ანკირების წერტილი ზუსტად ვარდნის წერტილის ზევით არ არის. რხევით ვარდნისას რაიმე საგანზე დაჭახების ძალამ შეიძლება გამოიწვიოს სერიოზული დაზიანება (იხილეთ სურათი 3A). იმისათვის, რათა რხევით ვარდნა არ მოხდეს, ზუსტად მიმაგრების წერტილის ქვეშ უნდა იმუშაოთ (სურათი 3B). ანკერაჟის წერტილისაგან მოშორებით მუშაობით (სურათი 3C) გაიზრდება რხევითი ვარდნის ძალა და გაიზრდება ვარდნის საჭირო დიაპაზონი (FC).
- **ვარდნის უსაფრთხო დიაპაზონი:** სურათი 3B-ზე ნაჩვენებია ვარდნის უსაფრთხო დიაპაზონის გამოანგარიშება. ვარდნის უსაფრთხო დიაპაზონი (FC) არის თავისუფალი ვარდნის (FF), დამუხრუჭების მანძილისა (DD) და უსაფრთხოების კოეფიციენტის (SF) ჯამი: $FC = FF + DD + SF$. უსაფრთხოების კოეფიციენტი ითვალისწინებს D-რგოლის სრიალსა და საკიდრის გაჭიმვას. ვარდნის უსაფრთხო დიაპაზონის სიდიდეები გამოანგარიშებულია მე-4 სურათზე. მე-4 სურათზე ყველა სიდიდეში გათვალისწინებული უსაფრთხოების კოეფიციენტის მნიშვნელობა 1 მ-ია (3,28 ფუტი).

მე-4 სურათზე ჩანს, რომ ვარდნის უსაფრთხო დიაპაზონი (FC) დამოკიდებულია ზურგის თვითშემტაცის შემაერთებელსა და ანკერაჟის წერტილს შორის ჰორიზონტალურ (H) და ვერტიკალურ (V) მანძილებზე. ქსელზე ჰორიზონტალური ხაზი წარმოადგენს ვერტიკალურ მანძილს ანკერაჟის წერტილიდან. ვერტიკალური ხაზი წარმოადგენს ჰორიზონტალურ მანძილს ანკერაჟის წერტილიდან. ვარდნის უსაფრთხო დიაპაზონის (FC) სიდიდე განისაზღვრება უბნით (პარაბოლას ხაზები), რომელშიც ქსელის ჰორიზონტალური (H) და ვერტიკალური (V) ხაზები ერთმანეთს კვეთს. მე-4 სურათზე მოტანილი მაგალითი გვიჩვენებს, თუ როგორ განვსაზღვროთ ვარდნის საჭირო უსაფრთხო დიაპაზონის (FC) სიდიდე მოცემული ვერტიკალური (V) და ჰორიზონტალური (H) მანძილების დროს.

ანკერაჟის წერტილების ცვლა: მე-4 სურათზე მოცემული ვარდნის უსაფრთხო დიაპაზონები გამოთვლილია ხისტი და უძრავი საანკერო წერტილის შემთხვევებისათვის. თუ ჰორიზონტალურ საანკერო ხაზზე (HLL) ან ისეთ საანკერო წერტილზე ვამაგრებთ, რომელიც ვარდნის დროს შეიძლება გადაადგილდეს, გასრიალდეს ან დეფორმირდეს, ასეთ შემთხვევებზე მე-4 სურათზე მოცემული ვარდნის უსაფრთხო დიაპაზონები არ ვრცელდება. გადახრების ან/და დეფორმირების შემთხვევებში საჭირო ვარდნის უსაფრთხო დიაპაზონების შესახებ დამატებითი დეტალები იხილეთ HLL-ის ან ანკერაჟის ინსტრუქციებში.

¹ **თავისუფალი ვარდნა:** თვითშემტაცის სწორი გამოყენება, როცა უშუალოდ ანკერაჟის წერტილის ქვეშ ვიმუშავებთ და როცა საანკერო ხაზი მუდამ დაჭიმულ მდგომარეობაში იქნება შენარჩუნებული, გამოიწვიოს თავისუფალი ვარდნის შემთხვევებს. ანკერაჟის სწორი ადგილები იხილეთ მე-4 სურათზე.

ჩამუხვლა ან ჩაკუზვა: მე-4 სურათზე მოცემულ ვარდნის უსაფრთხო დიაპაზონებში იგულისხმება, რომ მუშა ფეხზე დგას. თუ მუშა მუხლებზე ან ჩაკუზული იქნება, უსაფრთხო დიაპაზონს 0,9 მ (3 ფუტი) უნდა დაემატოს.

ნურასოდეს მიამაგრებთ ფეხების ქვედა დონეზე: ნურასოდეს მიამაგრებთ ანკერაჟის წერტილს ფეხების ქვედა დონეზე.

- **საფრთხეები:** საფრთხის შემცველ გარემოში ამ მოწყობილობის გამოყენება დამატებით სიფრთხილეს მოითხოვს, რათა თავიდან ავიცილოთ ადამიანის ან მოწყობილობის დაზიანება. ეს საფრთხეებია (მაგრამ არ შემოიფარგლება): მაღალი ტემპერატურა, კაუსტიკური ქიმიური ნივთიერებები, კოროზიული გარემო, მაღალი ძაბვის ხაზები, ასაფეთქებელი ან ტოქსიკური გაზები, მოძრავი მანქანა-დანადგარები ან თქვენ თავზე მოთარაღებული საგნები, რომლებიც შეიძლება ჩამოცვივდეს და მოხმარებელს ან ვარდნის შეკავების სისტემას დაეცეს. მოერიდეთ ისეთ ადგილებზე მუშობას, სადაც საანკერო ხაზები შეიძლება გადაიკვეთოს ან გაიბლანდოს მეორე მუშის ხაზთან. მოერიდეთ მუშობას იქ, სადაც საგნები შეიძლება ჩამოცვივდეს და საანკერო ხაზს დაეცეს; ამის შედეგად შეიძლება წონასწორობა დაკარგოთ ან საანკერო ხაზი დაზიანდეს. საანკერო ხაზს ილღობის ქვეშ ან ფეხებს შორის ნუ გაატარებთ.
- **მჭრელი კიდეები:** მჭრელ კიდეებს, რომლებსაც საანკერო ხაზის თვითშემტაცი შეიძლება მიედოს ვარდნის დროს, უნდა ჰქონდეთ მინიმუმ 0,3 სმ (0,125 დუიმი) რადიუსი. იქ, სადაც მჭრელ კიდესთან კონტაქტი გარდაუვალია, ეს კიდეები დაფარეთ დამცავი მასალით.

2.0 სისტემის გამოყენება

- 2.1 **ვარდნისგან დაცვის და სამაშველო გეგმა:** კომპანიას შემუშავებული უნდა ჰქონდეს ვარდნისგან დაცვისა და სამაშველო გეგმა. კომპანიის გეგმაში მითითებული უნდა იყოს ვარდნისგან დაცვის პროგრამის სახელმძღვანელო დებულებები და მოთხოვნები, მათ შორის, წესები, მოვალეობები და წვრთნები; ვარდნისგან დაცვის პროცედურები; ვარდნის საფრთხეების თავიდან აცილება და კონტროლი; სამაშველო პროცედურები; ინციდენტების გამოძიება და პროგრამის ეფექტურობის შეფასება.
- 2.2 **შემონმებათა სიხშირე:** მათ გამოყენებამდე თვითშემტაცები უნდა შეამოწმოს უფლებამოსილმა პირმა¹ ან მაშველმა² ყოველ გამოყენებამდე (იხილეთ ცხრილი 3). ამას გარდა, შემონმება უნდა განახორციელოს კომპეტენტურმა პირმა³ და არა თავად მოხმარებელმა. უკიდურეს სამუშაო პირობებში (მკაცრი გარემო, ხანგრძლივი გამოყენება და ა. შ.) შეიძლება უფრო ხშირად იყოს საჭირო კომპეტენტური პირის მიერ მოწყობილობის შემონმება. კომპეტენტურმა პირმა უნდა გამოიყენოს შემონმების გრაფიკი (ცხრილი 2), რათა განსაზღვროს შემონმებათა შესაფერისი ინტერვალები. შემონმების პროცედურები აღწერილია „შემონმებისა და ტექნოსახურების ჟურნალში“ (ცხრილი 3). კომპეტენტური პირის მიერ შემონმების შედეგები უნდა აისახოს „შემონმებისა და ტექნოსახურების ჟურნალში“ ან ჩაინეროს რადიოსიხშირის იდენტიფიკაციის (RFID) სისტემის საშუალებით (იხილეთ თავი 5).
- 2.3 **ნორმალური ოპერაციები:** ნორმალურ ოპერაციებში, როცა მუშა ნორმალური სიჩქარით გადაადგილდება, საანკერო ხაზი გაიშლება და შეიტაცება დაბრკოლების ან დაჭიმულობის შემცირების/მოშვების გარეშე. თუ ვარდნა მოხდება, სიჩქარის მიმართ მგრძობილობით აღჭურვილი სამუხრუჭო სისტემა ამოქმედდება და ვარდნას შეაჩერებს წარმოქმნილი ენერჯის შთანთქმის გზით. მუშაობის ნორმალურ პირობებში უეცარ ან სწრაფ მოძრაობას უნდა მოვერიდოთ, ვინაიდან ამან შეიძლება თვითშემტაცის საკეტი ამოქმედოს. საანკერო ხაზის მარშრუტის ბოლოში დაწყებული ვარდნის შემთხვევისათვის გათვალისწინებულია სარეზერვო ხაზის სისტემა ანუ ენერჯის შთანთქმელი, რათა შემცირდეს ვარდნის შეჩერების ძალები.
- 2.4 **სხეულის საყრდენი:** მთელი სხეულის საკიდარი თვითშემტაც მოწყობილობასთან ერთად უნდა გამოვიყენოთ. საკიდრის სამაგრი წერტილი უნდა იყოს განლაგებული მოხმარებლის სიმძიმის ცენტრის თავზე მოთარაღებული მოწყობილობაში ჩვეულებრივი ქამრის გამოყენება არ შეიძლება. თუ ჩვეულებრივი ქამრის გამოყენების დროს მოხდება ვარდნა, ამ დროს ქამარი შეიძლება თავად გაიხსნას ან, ვინაიდან ეს ქამარი სხეულს არასწორად დაიჭერს, ადამიანი დაშავდეს.
- 2.5 **კომპონენტების თავსებადობა:** თუ ეს სხვაგვარად მითითებული არაა, 3M-ის აღჭურვილობა გათვლილია მხოლოდ 3M-ის მიერ დამტკიცებულ კომპონენტებსა და ქვესისტემებში გამოსაყენებლად. ისეთი კომპონენტების ან ქვესისტემების გამოყენებამ ან შენაცვლებამ, რომლებიც დამტკიცებული არ არის, შეიძლება შეუთავსებლობის რისკი გამოიწვიოს და უარყოფითად იმოქმედოს მთლიანი სისტემის საიმედოობასა და უსაფრთხოებაზე.
- 2.6 **შემაერთებლების თავსებადობა:** შემაერთებლები შესაერთებელ ელემენტებთან თავსებადად მიიჩნევიან მაშინ, როცა ისინი ერთად სამუშაოდ არის შექმნილი და მათი ზომა და ფორმა ჩამკვეტ მექანიზმს უცებ არ გახსნის მიუხედავად იმისა, თუ ისინი როგორ ორიენტაციას მიიღებენ. თავსებადობის შესახებ თუ რაიმე შეკითხვა გაგიჩნდებათ, დაუკავშირდით 3M-ს. შემაერთებლები (კაუჭები, კარაბინები და D-რგოლები) უნდა უძლებდნენ მინიმუმ 22,2 კნ-ს (5000 გიოვანქა/2267 კგ). შემაერთებლები უნდა იყოს ანკირებასთან ან სისტემის სხვა კომპონენტებთან თავსებადი. ნუ გამოიყენებთ არათავსებად მოწყობილობებს. არათავსებადი შემაერთებლები შეიძლება მოულოდნელად გაიხსნას (იხილეთ სურათი 5). შემაერთებლები თავსებადი უნდა იყოს ზომით, ფორმითა და გამძლეობით. საჭიროა თვითჩამკვეტი სასხლეტი კაუჭები ან კარაბინები. თუ შემაერთებელი ელემენტი, რომელზეც სასხლეტიანი კაუჭი ან კარაბინი მაგრდება, უფრო ჰატარა ზომისა ან სხვა ფორმისაა, როგორც კი მას ძალა დაადგება, კაუჭის ან კარაბინის რაზა შეიძლება გაიხსნას (A). ძალის მოხვედრისას თუ რაზა გაიხსნება (B), სასხლეტიანი კაუჭი ან კარაბინი მიმაგრების წერტილიდან მოძვრება (C).

1 უფლებამოსილი პირი: ადამიანი რომელიც კომპანიამ დაიქირავა, რათა იმუშაოს ისეთ ადგილებში, სადაც ვარდნის საშიშროება არსებობს.
2 მაშველი: საშველი ადამიანისაგან განსხვავებული ადამიანი ან ადამიანები, რომლებიც სამაშველო სისტემას ამუშავებენ სამაშველო ოპერაციებში.
3 კომპეტენტური პირი: კომპანიის მიერ დანიშნული პირი, რომელმაც უნდა უხელმძღვანელოს, დანერგოს და თვალყური ადევნოს კომპანიის ვარდნისგან დაცვის პროგრამას. ამ ადამიანს მიღებული უნდა ჰქონდეს შესაბამისი წვრთნა და განათლება და უნდა შეეძლოს ვარდნის პოტენციური საშიშროების გამოცნობა, შეფასება და გამოსწორება. მას კომპანიამ უნდა მიაწოდოს უფლებამოსილება, სასწრაფო ზომები მიიღოს ამგვარ საშიშროებებთან დაკავშირებით.

2.7 მიერთება: სასხლეტები ან კარაბინები, რომლებსაც ამ აღჭურვილობასთან ვიხმართ, მხოლოდ თვითჩამკეტი უნდა იყოს. საგულდაგულოდ შეამოწმეთ, რომ ყველა შემაერთებლის ზომა, ფორმა და გამძლეობა აღჭურვილობის თავსებადი იყოს. ნუ გამოიყენებთ არათავსებად მოწყობილობებს. შეამოწმეთ, რომ ყველა შემაერთებელი ბოლომდე ჩაკეტილი ან ჩამჭდარი იყოს. 3M-ის შემაერთებლები (სასხლეტი კაუჭები და კარაბინები) უნდა გამოვიყენოთ, როგორც მომხმარებლის შესაბამის ინსტრუქციებშია მითითებული. არასწორი შეერთებები იხილეთ მე-6 სურათზე.

ნუ მიაბამთ სასხლეტიან კაუჭებსა და კარაბინებს:

- A. D-რგოლს, რომელზეც სხვა სამაგრია მიერთებული.
- B. ისე, რომ რაზას ძალა დაადგეს. დიდყელიან სასხლეტიან კაუჭებს ნუ შეუერთებთ სტანდარტული ზომის D-რგოლებს ან მსგავს საგნებს, რის გამოც რაზა აღმოჩნდება დატვირთვის ქვეშ, თუ სასხლეტიანი კაუჭი ან D-რგოლი გადაიგრისება ან მოტრიალდება, გარდა იმ შემთხვევებისა, როცა სასხლეტიანი კაუჭი აღჭურვილია 16 კნ-იანი (3600 გირვანქა/612 კგ) რაზით.
- C. ცრუ მიერთების შემთხვევაში, როდესაც დაწყვილებული შემაერთებლების ზომა და ფორმა არ არის თავსებადი და ვიზუალური დადასტურების გარეშე ისეთი შთაბეჭდილება რჩება, თითქოს შემაერთებლები სრულად მიერთებულია.
- D. ერთმანეთზე.
- E. ჰირდაჰირ თასმაზე, თოკის საჭიმარზე, ან საჭიმრის შემკვრელზე (გარდა იმ შემთხვევებისა, როცა დამამზადებლის ინსტრუქციებით როგორც საჭიმარზე, ასევე შემაერთებელზე დაიშვება ასეთი გადაბმა).
- F. ნებისმიერ საგანს, რომლის ზომა და ფორმა ისეთია, რომ სასხლეტიანი კაუჭი ან კარაბინი არ ჩაიკეტება ან გამოძვრება.
- G. ისე, რომ დატვირთვის დროს შემაერთებელმა არასწორი ჰოზიცივა მიიღოს.

ცხრილი 2 - შემოწმებების გრაფიკი			
მოხმარების ტიპი	გამოყენების მაგალითები	გამოყენების პირობები	შემოწმებათა სიხშირე
			კომპეტენტური პირი
სინათლეზე იშვიათად ხმარობენ	შველა და შეზღუდული სივრცე, ქარხანაში რემონტი	შენახვის კარგი პირობები, შენობაში ან იშვიათად შენობის გარეთ, ოთახის ტემპერატურაზე, სუფთა გარემოში	წელიწადში ერთხელ
საშუალოდან მძიმე	ტრანსპორტირება, საცხოვრებელი სახლის მშენებლობა, კომუნალური მომსახურება, საწყობი	საწყობის დამაკმაყოფილებელი პირობები, შენობაში და ხანგრძლივად შენობის გარეთ, ყველა ტემპერატურაზე, სუფთა ან მტკრიან გარემოში	წელიწადში 2-ჯერ ან წელიწადში 1-ხელ
მკაცრიდან უწყვეტამდე	კომერციული მშენებლობა, ნავთობი და გაზი, სამთო მრეწველობა	შენახვის მკაცრი პირობები, ხანგრძლივად ან უწყვეტად შენობის გარეთ, ყველა ტემპერატურაზე, ჭუჭყიან გარემოში	კვარტალურად ან წელიწადში 2-ჯერ

3.0 დამონტაჟება

3.1 დაგეგმვა: მუშაობის დაწყებამდე დაგეგმეთ, თუ როგორ იმუშავებთ ვარდნისაგან დასაცავი სისტემით. გაითვალისწინეთ ყველა ის ფაქტორი, რომლებმაც შეიძლება გავლენა იქონიოს თქვენს უსაფრთხოებაზე ვარდნამდე, ვარდნის დროს და ვარდნის შემდეგ. გაითვალისწინეთ მოთხოვნები და შეზღუდვები, რომლებიც აღწერილია მე-2 თავში.

უმეტეს სისტემებში Nano-Lok SRD შეიძლება ანკერაჟზე ან საკიდარის ზურგზე მივაბაგროთ. ყველა სახის ორიენტაცია დასაშვებია გარდა მე-4 თავში დასახელებული ორიენტაციებისა

3.2 ანკირება: მე-7 სურათზე გამოსახულია SRD-ის ანკერაჟის შემაერთებლები. აირჩიეთ ანკირების ის ადგილმდებარეობა, რომელზეც თავისუფალი ვარდნისა და რხევის რისკი მინიმუმამდე დავა (იხილეთ 1-ლი თავი). აირჩიეთ ანკირების ისეთი ხისტი წერტილი, რომელიც გაუძლებს 1-ლ თავში აღწერილ სტატიკურ დატვირთვას. თუ ანკირება მომხმარებლის ზემოთ ვერ მოხერხდება, Nano-Lok-ის SRD-ები შეიძლება მივაბაგროთ საკიდარის ზურგის D-რგოლის ქვემოთ. 140 კგ-მდე (310 გირვანქა) წონის მომხმარებლების შემთხვევაში ანკირების წერტილი ზურგის D-რგოლიდან 1,5 მ-ზე (5 ფუტი) უფრო ქვემოთ არ უნდა იყოს.

3.3 საკიდარის დამაგრება: SRD-ის ზოგ მოდელს აქვს ერთი SRD-იანი ან ტყუპი SRD-იანი ინტერფეისი SRD-ების საკიდარზე მისამაგრებლად ზუსტად ზურგის D-რგოლის ქვემოთ:

სხეულის ზოგი საკიდარი აღჭურვილია პირადი SRD-ის სამაგრით (PSRL Link), რომლის მეშვეობითაც ზურგის D-რგოლი ინტეგრირებულია საკიდარზე დამაგრებული თვითშემტაცი მოწყობილობების ელემენტებთან (სურათი 8). SRD-ის მიმაგრება საკიდარის ზურგის D-რგოლთან კარაბინით ან ჩამოსაცმელი ჩამკეტი კაუჭითაც მისაღებია.

- **ცალი SRD-ის დამაგრება საკიდარზე:** იქ, სადაც მომხმარებლისათვის მობილურობას კრიტიკული მნიშვნელობა აქვს, SRD-ის საკიდარის ინტერფეისის გამოყენებით შეგვიძლია SRD საკიდარის ზურგზე მივაბაგროთ უშუალოდ ზურგის D-რგოლის ქვემოთ (იხ. სურათი 9). მომხმარებელი შეიძლება სამუშაო უბანზე განლაგებულ სხვადასხვა საანკერო წერტილებზე შეერთებას SRD-ის საჭიმრის ბოლოებით ისე, რომ SRD-ის წარამარა მოხსნა და მიმაგრება აღარ დასჭირდება. SRD-ის საკიდარზე SRD-ის ინტერფეისით მისამაგრებლად:
 1. **მოუშვით საკიდარის თასმები:** გამოსწიეთ თასმები (A) იქიდან, საიდანაც ისინი ზურგის D-რგოლის (B) ქვეშ გადიან, მანამდე, სანამ საკმარისი ადგილი არ დაგვრჩება SRD-ის გასაძვრენად საკიდარის ინტერფეისის თასმებსა და D-რგოლის ბალიშს შორის.
 2. **საკიდარის ინტერფეისის გახსნა:** ერთდროულად დააჭირეთ ჩამკეტ ღილაკებს (C) და ჩამკეტი ენა (D) გამოასრიალეთ.
 3. **საკიდარის ინტერფეისზე SRD-ის პოზიცია შეარჩიეთ:** საკიდარის ინტერფეისის საგდული SRD-ის (E) მენჯში გაუყარეთ. ინტერფეისი მენჯში ისე გაუყარეთ, რომ SRD საკიდარის ინტერფეისის (F) ხერხემლიდან გადმოეკიდოს.
 4. **საკიდარის ინტერფეისი მიიტანეთ მოშვებული თასმებთან ისე, რომ თასმები მათ შორის მოექცეს:** საკიდარის ინტერფეისის ღია საგდული მოშვებული თასმების (A) ირგვლივ დააყენეთ.
 5. **დახურეთ საკიდარის ინტერფეისი:** შეურჯეთ საკიდარის ინტერფეისის ჩამკეტი ენა (D) მოშვებულ თასმებში (A) მანამდე, სანამ თავის ადგილზე ჩაჯდება საკიდარის ინტერფეისის მოპირდაპირე ბოლოში. ზურგის D-რგოლიდან და ზურგის ბალიშის საწინააღმდეგო მიმართულებით გამოქაჩეთ თასმები, რათა საკიდარის ინტერფეისი კარგად მოიჭიმოს.

თუ საკიდარის ინტერფეისი არ ჩაიკეტება, ჩამკეტი ენის ბოლოში წითლად შეღებილი ღარი გამოჩნდება. საკიდარისა და მიმაგრებული SRD-ის გამოყენებამდე, ყოველთვის დარწმუნდით, რომ საკიდარის ინტერფეისი ჩაკეტილია, რათა თავიდან ავიცილოთ მისი შემთხვევით გახსნა. მოცემული ინსტრუქციების დაუცველობას შეიძლება მოჰყვეს ადამიანის დაზარალება ან სიკვდილი.

- **ორ-SRD-იანი საკიდარის დამაგრება:** სიმაღლეზე ასვლის დროს, როცა ანკერაჟიდან 100%-ით მოხსნა მოხდება, შეიძლება გამოვიყენოთ საკიდარის SRD-ის ინტერფეისი ერთმანეთის გვერდზე ორი SRD-ის დასამაგრებლად სხეულის საკიდარზე უშუალოდ ზურგის D-რგოლის ქვეშ (იხ. სურათი 9). იმისათვის, რათა ორი SRD დაამაგროთ საკიდარზე SRD-ის ინტერფეისით:
 1. **მოუშვით საკიდარის თასმები:** გამოსწიეთ თასმები (A) იქიდან, საიდანაც ისინი ზურგის D-რგოლის (B) ბოლოში გადიან, მანამდე, სანამ საკმარისი ადგილი არ დაგვრჩება SRD-ის საკიდარის ინტერფეისის თასმებსა და D-რგოლის ბალიშს შორის გასაძვრენად.
 2. **საკიდარის ინტერფეისის გახსნა:** ერთდროულად დააჭირეთ ჩამკეტ ღილაკებს (C) და ჩამკეტი ენა (D) გარეთ გამოასრიალეთ.
 3. **SRD-ების დაყენება საკიდარის ინტერფეისზე:** გაუყარეთ ინტერფეისის გახსნილი საგდული თითოეული SRD-ის (E) მბრუნავ ყუნწში. ინტერფეისი მბრუნავ ყუნწში ისე გაუყარეთ, რომ SRD-ები საკიდარის ინტერფეისის (F) ხერხემლიდან გადმოეკიდოს.
 4. **საკიდარის ინტერფეისი ისე დადეთ, რომ თასმები მის ბოლოებს შორის მოექცეს:** საკიდარის ინტერფეისის ღია საგდული მიიტანეთ მოშვებული თასმებთან (A) ისე, რომ თასმები მათ შორის მოექცეს.
 5. **დახურეთ საკიდარის ინტერფეისი:** შეასრიალეთ საკიდარის ინტერფეისის ჩამკეტი ენა (D) მოშვებულ თასმებში (A) მანამდე, სანამ ინტერფეისის მოპირდაპირე ბოლოში არ ჩატკაცუნდება. გამოქაჩეთ თასმები ზურგის D-რგოლისა და ზურგის ბალიშის საწინააღმდეგო მიმართულებით, რათა საკიდარის ინტერფეისი კარგად მოიჭიმოს.

თუ საკიდარის ინტერფეისი არ ჩაიკეტება, ჩამკეტი ენის ბოლოში დახაზული წითელი ზოლი არ დაიმალება. საკიდარისა და მიმაგრებული SRD-ის გამოყენებამდე, ყოველთვის დარწმუნდით, რომ საკიდარის ინტერფეისი ჩაკეტილია, რათა თავიდან ავიცილოთ მისი შემთხვევით გახსნა. მოცემული ინსტრუქციების დაუცველობას შეიძლება მოჰყვეს ადამიანის დაზარალება ან სიკვდილი.

- **ტყუპი SRD-ის ფიქსირებული D-რგოლის საკიდარზე დამაგრება:** შედარებით ძველი ExoFit-ის მოდელის ფიქსირებული D-რგოლიანი საკიდრები ზურგის D-რგოლების ქვეშ ორი SRD-ის დამაგრების დროს საჭიროებს SRD-ის სპეციალურ ინტერფეისს. ფიქსირებული SRD-ის მქონე D-რგოლიანი საკიდრის ExoFit-ის მოდელზე ორი SRD-ის დამაგრება (სურათი 10):
 1. **მოუშვით საკიდრის თასმები:** გამოსწიეთ თასმები (A) იქიდან, საიდანაც ისინი ზურგის D-რგოლის (B) ბოლოში გადიან, მანამდე, სანამ საკმარისი ადგილი არ დაგვრჩება SRD-ის გასაძვრენად საკიდრის ინტერფეისის თასმებსა და ზურგის ბალიშს შორის.
 2. **საკიდრის ინტერფეისის გახსნა:** SRD-ის საკიდარი დაიჭირეთ ისე, როგორც ეს სურათზეა ნაჩვენები. შემდეგ მარჯვნიდან დააჭირეთ ჩამკეტ ქუროს (C) და დაატრიალეთ საათის ისრის მიმართულებით, სანამ საგდული არ გაიხსნება (D). საგდული (D) გადმოსწიეთ და ისე გახსენით.
 3. **გაუყარეთ პირველი SRD საკიდრის ინტერფეისში:** გაუყარეთ შემაერთებლის ცხვირი (E) SRD-ის მბრუნავ ყუნწში (F) და შემდეგ მოატრიალეთ SRD შემაერთებლის ბოლოში საგდულამდე (G). საგდული შეგვიძლია დავხუროთ, რათა მბრუნავი ყუნწისათვის ადგილი გავათავისუფლოთ საგდულსა და შემაერთებლის ზურგს შორის.
 4. **საკიდრის ინტერფეისი მიიტანეთ თასმებთან ისე, რომ თასმები მათ შორის მოექცეს:** გაუყარეთ შემაერთებლის ცხვირი (E) თასმების ქვეშ (A). მიატრიალეთ შემაერთებელი თასმების უკან, სანამ შემაერთებელი თასმებს არ შემოევლება.
 5. **ინტერფეისზე მეორე SRD-ც გაუკეთეთ:** გადაასრიალეთ SRD-ის მბრუნავი ყუნწი (F) შემაერთებლის ცხვირზე (E) და SRD-ის მბრუნავი ყუნწი მიიყვანეთ ცხვირის ბოლოში.
 6. **დახურეთ საკიდრის ინტერფეისი:** საგდული (D) ჩაკეტულ მდგომარეობაში უნდა ეკიდოს, ხოლო ჩამკეტი ქურო (C) უნდა გადმოვახუროთ და ისე ჩაკვეთოთ. როცა საკიდრის ინტერფეისის ჩაკვეტავთ, გამოვნიოთ თასმები (A) უკან და მოვჭიმოთ ზურგის D-რგოლში, რათა მოშვებული თასმები არ გვქონდეს და საკიდრის ინტერფეისი თასმებსა და ზურგის ბალიშს შორის მჭიდროდ იჯდეს.
- **3M® DBI-SALA® ტყუპი კარაბინით:** 3M® DBI-SALA® ტყუპი კარაბინით სპეციალურად შექმნილია Nano-Lok ორი SRD-ის გვერდიგვერდ დასამაგრებლად საკიდარზე ზურგის D-რგოლის ქვეშ (იხ. სურათი 12). როგორ გაუკეთოთ Nano-Lok-ის ორი SRD საკიდარს ტყუპი კარაბინით:
 1. **საკიდრის თასმების მოშვება:** გამოსწიეთ თასმები (A) იქიდან, საიდანაც ისინი ზურგის D-რგოლის (B) ძირში გადიან, მანამდე, სანამ საკმარისი ადგილი არ დაგვრჩება ორთათიანი ინტერფეისის თასმებსა და D-რგოლის ბალიშს შორის გასაძვრენად.
 2. **ტყუპი კარაბინის გახსნა:** ასწიეთ შემაერთებლის ენა (C) და აუშვით მომჭერები (D). შემდეგ გადასწიეთ შემაერთებლის ენა და გახსენით საგდული. ჩააჭირეთ საგდულს (E) და ისე გახსენით შემაერთებელი.
 3. **პირველი Nano-Lok SRD-ის ჩამოღება ტყუპ კარაბინზე:** გაუყარეთ შემაერთებლის ცხვირი (F) SRL-ის (თვითშემტაცი ხაზი) მბრუნავ ყუნწში (G) და შემდეგ მოატრიალეთ SRL შემაერთებლის ბოლოში საგდულამდე (H). საგდული შეგვიძლია შემოვატრიალოთ ცხვირის მიმართულებით, რათა მბრუნავი ყუნწისათვის ადგილი გავათავისუფლოთ საგდულსა და შემაერთებლის ზურგს შორის.
 4. **ტყუპი კარაბინი მიიტანეთ თასმებთან ისე, რომ თასმები მათ შორის მოექცეს:** საგდული ამოტრიალებულ მდგომარეობაში დააყენეთ და ისე გაუყარეთ შემაერთებლის ცხვირი (F) თასმების უკან (A). მიატრიალეთ შემაერთებელი თასმების უკან, სანამ შემაერთებელი თასმებს არ შემოევლება.
 5. **მეორე Nano-Lok SRD-ის დამატება ტყუპ კარაბინზე:** გადაასრიალეთ SRL-ის მბრუნავი ყუნწი (G) შემაერთებლის ცხვირზე (F) და SRL-ის მბრუნავი ყუნწი მიიყვანეთ ცხვირის ბოლოში (F). გადმოკვეთთ საგდული (E) და დახურეთ.
 6. **ტყუპი კარაბინის დახურვა:** წინ დაატრიალეთ შემაერთებლის საგები (C), რათა მომჭერები (D) მასზე მჭიდროდ მიმაგრდეს. როცა ესენი სწორადაა დახურული, თასმები შემაერთებლის საგების თავში არსებულ ღრეჩოში (J) კარგად უნდა შესრიალდეს. ამას გარდა, SRL-ის მბრუნავი ყუნწი კარგად უნდა ჩაჯდეს ღარებში (K) შემაერთებლის საგების ორივე მხარეზე. როცა საკიდრის ინტერფეისს ჩაკვეტავთ, გამოვნიოთ თასმები (A) უკან და მოვჭიმოთ ზურგის D-რგოლსა და ბალიშში, რათა მოშვებული თასმები არ გვქონდეს და საკიდრის ინტერფეისი თასმებსა და ზურგის D-რგოლს შორის მჭიდროდ იჯდეს.
- **3M® DBI-SALA® ორენიანი კარაბინით:** საკიდრის ეს სამაგრი შეიძლება გამოვიყენოთ Nano-Lok-ის ერთი ან ორი SRL-ის მისამაგრებლად სიმაღლეზე ასვლის სამუშაოებში (იხ. სურათი 11), სადაც საჭირო არის 100%-ით მოხსნა-ჩაბმა მიმაგრებიდან:
 1. **საკიდრის თასმების მოშვება:** გამოსწიეთ თასმები (A) იქიდან, საიდანაც ისინი ზურგის D-რგოლის (B) ძირში გადიან, მანამდე, სანამ საკმარისი ადგილი არ დაგვრჩება ორფეხა ინტერფეისის გასაძვრენად თასმებსა და D-რგოლის ბალიშს შორის.
 2. **ერთი SRL-ის კონფიგურაციის რეჟიმი:** მბრუნავი ყუნწი ჩამოავციეთ ერთ SRL-ს ღია სივრცის ცენტრში.
 3. **ტყუპი კონფიგურაციის დროს:** ერთ-ერთი SRL-ის მბრუნავი ყუნწი მიიტანეთ ღია სივრცეში ენასთან ახლოს, ხოლო მეორე - ღია სივრცეში ენისაგან მოშორებით.
 4. უკან გადაასრიალეთ ენა და ჩასვით თავის ადგილზე, სანამ დატკაცუნებას არ გაიგონებთ. ენა მჭიდროდ უნდა ჩაჯდეს თავის ადგილზე.
 5. ერთდროულად დააჭირეთ შემაერთებლის ორ ღილაკს საკიდრის მხარეზე და ისე გამოსწიეთ ენა. ენის ამგვარად გამოწვევა მოგვცემს ღია სივრცეს.
 6. ზურგის D-რგოლის ქვეშ თავისუფლად მოშვებული თასმის მცირე რაოდენობა ასწიეთ. შემაერთებლის საკიდრის მხარე დადეთ D-რგოლის ქვეშ.
 7. ისევ უკან გაასრიალეთ ენა და ჩასვით თავის ადგილზე ისე, რომ ენა საკიდრის თასმის ორივე ფენის ქვეშ რჩებოდეს. დაელოდეთ ჩხაკუნს. ენა მჭიდროდ უნდა ჩაჯდეს თავის ადგილზე.

4.0 ექსპლუატაცია

თუ პირველად ან იშვიათად ვიყენებთ ენერჯის შთანთქმელ მოწყობილობებს, მათ გამოყენებამდე უნდა გადავხედოთ „უსაფრთხოების ინფორმაციას“, რომელიც წინამდებარე სახელმძღვანელოს დასაწყისში წერია.

- 4.1 ყოველი გამოყენების წინ:** ვარდნისაგან დაცვის სისტემის გამოყენებამდე ყოველთვის გულდასმით შეამოწმეთ, რომ სისტემა კარგ მუშა მდგომარეობაში იყოს. შეამოწმეთ, გაცვითილი ან დაზიანებული ხომ არ არის სადმე. შეამოწმეთ, ყველა ჭანჭიკი თუ ადგილზეა და მჭიდროდაა ჩახრახნილი. შეამოწმეთ სასრიალო ხაზის სწორი უკან შეტაცება, რისთვისაც გამოსწიეთ ხაზი და დაუკვირდით მის ნელა შესრიალებას. შეტაცების დროს თუ

რამე დაბრკოლებას შენიშნავთ, ეს ნაწილი მომსახურებიდან უნდა ამოიღოთ და გაანადგუროთ. შეამოწმეთ ხაზი, გაჭრილი, დამწვარი, დაჭყლეთილი ან კოროზიით შეჭმული ხომ არ არის. შეამოწმეთ ჩაკეტვის ფუნქცია, რისთვისაც ხაზი მკვეთრად გამოსწიეთ. შემოწმების დეტალები იხილეთ [შემოწმებისა და ტექნომსახურების უურნალოში](#) (ცხრილი 3). თუ შემოწმების დროს გამოვლინდება მოწყობილობის არაუსაფრთხო მდგომარეობა, ნუ გამოიყენებთ სისტემას.

- 4.2 ვარდნის შემდეგ:** ყველა სისტემა, რომელსაც დააწვება ვარდნის შეჩერების ძალა ან რომელსაც დაეტყობა ვარდნის შეჩერების დროს მიყენებული დაზიანებისათვის დამახასიათებელი ნიშნები, როგორც ეს აღწერილია მე-3 ცხრილში, დაუყოვნებლივ უნდა ამოვიღოთ ექსპლუატაციიდან და გაანადგუროთ.
- 4.3 სხეულის საყრდენი:** SRD-ების გამოყენების დროს აუცილებლად უნდა გვეცვას სხეულის საკიდარი. ვარდნისაგან დაცვის ფუნქციაში მიუერთეთ ზურგის (დორსალურ) D-რგოლს.
- 4.4 მიერთება:** მე-5 სურათზე ნაჩვენებია SRD-ის ვარდნის შესაჩერებელი სისტემების საკიდრისა და ანკერაჟის შემაერთებლები. როცა კაუჭით ვამაგრებთ, შეამოწმეთ, რომ რამე კაუჭს ისე არ დააწვეს, რომ გახსნას (იხ. სურათი 5). ნუ გამოიყენებთ ისეთ კაუჭებსა და მაერთებლებს, რომლებიც ბოლომდე არ ჩაიკეტება მისამაგრებელ საგანზე. ნუ გამოიყენებთ ისეთ ჩამოსაცმელ კაუჭებს, რომლებიც არ იკეტება. ანკერაჟის ადგილმა უნდა დააკმაყოფილოს მე-2 ცხრილში დასახელებული მოთხოვნები გამძლეობაზე. შეასრულეთ დამამზადებლის ინსტრუქციები, რომლებიც თან ახლავს სისტემის თითოეულ კომპონენტს.
- 4.5 ექსპლუატაცია:** გამოყენებამდე შეამოწმეთ SRD, როგორც ეს მე-3 ცხრილშია მოცემული. მე-14 სურათზე ჩანს ჩვეულებრივი SRD-ის სისტემების შეერთებები. SRD მიუერთეთ შესაფერის საანკერო წერტილს ან მისამაგრებელ საკიდრის ზურგს, როგორც ეს აღწერილია მე-3 თავის ინსტრუქციებში. ანკერაჟზე მიერთებულ SRD-ებზე ტვირთის ინდიკატორის კაუჭი (D) ან კარაბინი მიუერთეთ საკიდრის ზურგის D-რგოლს (A). საკიდარზე მიმაგრებულ SRD-ებზე კაუჭი (D) ან კარაბინი შესაბამის ანკერს მიუერთეთ. საგულდაგულოდ შეამოწმეთ, რომ სამაგრების ზომა, ფორმა და გამძლეობა ერთმანეთის თავსებადი იყოს. საგულდაგულოდ შეამოწმეთ, რომ ყველა კაუჭი ჩაკეტილი ან ბოლომდე ჩამჯდარი იყოს. მიმაგრების შემდეგ მომხმარებელს თავისუფლად შეუძლია იმოძრაოს რეკომენდებულ სამუშაო სივრცეში ნორმალური სიჩქარით. თუ მომხმარებელი ჩამოვარდება, SRD ჩაიკეტება და ვარდნას შეაჩერებს. სამაშველო ოპერაციის შემდეგ SRD ამოიღეთ მოხმარებიდან. SRD-ზე მუშაობის დროს ყოველთვის უყურეთ და დააცალეთ საანკერო ხაზს ბოლომდე ჩახვება.
- 4.6 ტყუპი SRD-ის ინტერფეისის 100%-ით ჩაბმა-ახსნა:** როცა ორი SRD გვერდიგვერდ არის მიმაგრებული საკიდრის ზურგზე, ვარდნისაგან უწყვეტად დასაცავად (100% ჩაბმა-ახსნა) შეგვიძლია SRD-ის ვარდნის შეჩერების სისტემის გამოყენება ზემოთ, ქვემოთ ან გვერდულად მოძრაობის დროს (იხ. სურათი 15). გადაადგილების დროს მომხმარებელი SRD-ის მეორე თავს მისამაგრებს ანკერაჟის ახალ წერტილზე ისე, რომ SRD-ის პირველი თავი ჯერ კიდევ პირველ წერტილზე უნდა დარჩეს მიმაგრებული და პირველი ანკერიდან ჩამოხსნა მხოლოდ მაშინ შეუძლია, როცა მეორე თავის მიმაგრებას მორჩება. მომხმარებელი ამ მიმდევრობას გაიმეორებს მანამდე, სანამ საჭირო ადგილს არ მიაღწევს. მოსაზრებები ტყუპი SRD-ის 100% ჩაბმა-ახსნის სისტემების შესახებ:
- ნურასოდეს ნუ მიუერთებთ SRD-ის ორივე საჭიმარს ერთსა და იმავე ანკერს (იხილეთ სურათი 16A).
 - ერთსა და იმავე ანკერზე ერთზე მეტი შეერთების გამოყენება (რგოლი ან ყუნწი) მაერთებლების თავსებადობას არღვევს, ვინაიდან მაერთებლების ერთმანეთთან შეხება რეკომენდებული არ არის.
 - SRD-ის თითოეული საჭიმრის ცალკე ანკერზე მიმაგრება დასაშვებია (სურათი 16B).
 - მიმაგრების ყველა ადგილმა დამოუკიდებლად უნდა გაუძლოს 2248 გირვანქას/1020 კგ-ს (10 კნ) ან იყოს სისტემის ნაწილი, როგორცაა მაგ., ჰორიზონტალური საანკერო ხაზი.
 - ტყუპი SRD-ის სისტემაზე ერთზე მეტ ადამიანს ნურასოდეს მიუერთებთ (სურათი 15C).
 - ნუ დაუშვებთ საჭიმრების ერთმანეთში გადახლართვას ან დაგრეხას, ვინაიდან ამან შეიძლება თვითშეტაცვება შეუძლებელი გახადოს.
 - გამოყენების დროს საჭიმრებს ილღიებში ან ფეხებს შორის ნუ გაატარებთ.
- 4.7 ტყუპი SRD-ის დამაგრება ზურგის D-რგოლზე:** სამმაგი მოქმედების კარაბინის მოდელები შეიძლება D-რგოლს მივამაგროთ ტყუპი კონფიგურაციით. როგორ მივამაგროთ ორი SRD საკიდრის ზურგის D-რგოლს (სურათი 13):
- 1. სამმაგი მოქმედების კარაბინის გახსნა:** სამმაგი მოქმედების კარაბინი დაიჭირეთ ისე, როგორც ეს სურათშია ნაჩვენები. მარჯვენა მხრიდან დააჭირეთ ჩამკეტ ქუროს (C), ხოლო შემდეგ გადაატრიალეთ საათის ისრის მიმართულებით, რათა გახსნათ ჩაკეტილი საგდული (D). საგდული (D) გადმოსწიეთ დაბლა და ისე გახსენით.
 - 2. პირველი SRD-ის გაყრა სამმაგი მოქმედების კარაბინში:** გაუყარეთ შემაერთებლის ცხვირი (E) SRD-ის მბრუნავ ყუნწში (F) და შემდეგ მოატრიალეთ SRD შემაერთებლის ბოლოში საგდულამდე (G). საგდული შეგვიძლია დახვროთ, რათა მბრუნავი ყუნწისათვის ადგილი გავათავისუფლოთ საგდულსა და შემაერთებლის ზურგს შორის.
 - 3. სამმაგი მოქმედების კარაბინზე მეორე SRD-ის ჩამოღება:** ჩამოაცვით SRD-ის მბრუნავი ყუნწი (F) შემაერთებლის ცხვირს (E).
 - 4. სამმაგი მოქმედების კარაბინის D-რგოლში გაყრა:** გაუყარეთ შემაერთებლის ცხვირი (E) ზურგის D-რგოლში (A). დაატრიალეთ შემაერთებელი D-რგოლში მანამდე, სანამ საგდული არ დაიხურება.
 - 5. სამმაგი მოქმედების კარაბინის დახურვა:** საგდული (D) ჩაკეტილ მდგომარეობაში უნდა ეკიდოს, ხოლო ჩამკეტი ქურო (C) უნდა გადმოვახუროთ და საგდული ჩავეკეტოთ.
- 4.8 ჰორიზონტალური სისტემები:** როცა SRD-ს ჰორიზონტალურ სისტემებში (ანუ ჰორიზონტალური საანკერო ხაზი, ჰორიზონტალური ორტესებრი ვაგონები) ვიყენებთ, ის უნდა იყოს ჰორიზონტალური სისტემების თავსებადი. ჰორიზონტალური სისტემები უნდა აიგოს და დამონტაჟდეს კვალიფიციური ინჟინრის ზედამხედველობით. დეტალების შესახებ რჩევისათვის მიმართეთ ჰორიზონტალური სისტემის მოწყობილობის დამამზადებელს.

მე-4 ნახაზზე მოცემული უსაფრთხოების დიაპაზონის მნიშვნელობები გამოთვლილია ხისტი და უძრავი საანკერო წერტილის გათვალისწინებით და არ ვრცელდება ჰორიზონტალური საანკერო ხაზის (HLL) სისტემებზე. ინფორმაციისათვის იხილეთ HLL-ის ინსტრუქციები და რჩევისათვის მიმართეთ HLL-ის დამამზადებელს, რათა განსაზღვროთ ვარდნის უსაფრთხო დიაპაზონი.

5.0 შემონმება

5.1 RFID-ის საჭდე: თვითშემტაცი მოწყობილობა შეიცავს რადიოსიხშირულ მაიდენტიფიცირებელს (RFID) (იხ. სურათი 17) RFID-ის საჭდის ინფორმაციას წავიკითხავთ ხელის აპარატებით და ვებპორტალის გამოყენებით, რითაც გამარტივდება ინვენტარის შემონმება-კონტროლი და მათი დოკუმენტური აღრიცხვა. დამატებითი ინფორმაციისათვის დაუკავშირდით 3M-ის დახმარების სამსახურის წარმომადგენელს (იხილეთ უკანა ყდა). მონაცემების ონლაინზე ჟურნალში გადატანის შესახებ ინფორმაცია იხილეთ ინსტრუქციებში, რომლებიც მოჰყვება საჭდის წამკითხველ აპარატებს ან ვებპორტალზე.

5.2 შემონმებათა სიხშირე: თვითშემტაცი მოწყობილობა უნდა შემონმდეს მე-2 თავში აღწერილ ინტერვალებში. შემონმების პროცედურები აღწერილია „შემონმებისა და ტექნომსახურების ჟურნალში“ (ცხრილი 3).

უკიდურეს სამუშაო პირობებში (მკაცრი გარემო, ხანგრძლივი გამოყენება და ა. შ.) შეიძლება უფრო ხშირად იყოს საჭირო შემონმებები. (იხ. ცხრილი 2).

5.3 როცა მოწყობილობა არაუსაფრთხო ან დეფექტურია: თუ შემონმების დროს გამოვლინდება არაუსაფრთხო მდგომარეობა ან რაიმე დეფექტი, სასწრაფოდ ამოიღეთ SRD მოხმარებიდან და გადაადგეთ (იხ. თავი 6).

მოწყობილობის რემონტი ნებადართულია მხოლოდ 3M-ის ან იმ მხარეების მიერ, რომლებსაც მისაგან მიღებული აქვთ წერილობითი ნებართვა.

5.4 პროდუქტის ექსპლუატაციის ვადა: 3M-ის თვითშემტაცი მოწყობილობების მუშაობის ხანგრძლივობა განისაზღვრება მათი გამოყენების პირობებით და ასევე იმით, როგორ ხდება მათი მოვლა და შენახვა. პროდუქტი ვარგისია მოხმარებისთვის მანამდე, სანამ უსაფრთხოების შემონმებას წარმატებით გადის (პროდუქტის მაქსიმალური საექსპლუატაციო ვადის ფარგლებში). საფეიქრო ქსოვილის მასალით დამზადებული საანკერო ხაზების მაქსიმალური საექსპლუატაციო ვადა არის 10 წელი მათი დამზადებიდან.

6.0 მოვლა, ტექნომსახურება და შენახვა

6.1 განმენდა: SRD-ის განმენდის პროცედურები:

- პერიოდულად განმინდეთ SRD-ის გარე ნაწილი რბილი წყალხსნარით. ამასობაში SRD ისე გეჭიროთ, რომ ზედმეტი წყალი ძირს იწრითბოდეს. გაასუფთავეთ ეტიკეტები ინსტრუქციების მიხედვით.
- გაასუფთავეთ საანკერო ხაზი საპნის რბილი წყალხსნარით. გაავლეთ და კარგად გააშრეთ ჰაერზე. ნუ გააშრობთ გახურებით. საანკერო ხაზი თუ სველია, კორპუსში ვერ შესრიალდება. თუ საანკერო ხაზზე ჭუჭყი, საღებავი ან სხვა ამგვარი დაგროვდება, მას კორპუსში შესრიალება გაუჭირდება და ამან შეიძლება თავისუფალი ვარდნის საშიშროება წარმოქმნას.

6.2 რემონტი: SRD-ები არ რემონტდება. თუ SRD ძალის ზემოქმედებას დაექვემდებარება, ან თუ შემონმების დროს გამოვლინდება, რომ ის უსაფრთხო არ არის ან დაზიანებულია, ეს SRD-ები ამოიღეთ ექსპლუატაციიდან და გაანადგურეთ. (იხ. „გადაადგება“)

6.3 შენახვა/ტრანსპორტირება: SRD-ის შენახვა და ტრანსპორტირება უნდა მოხდეს გრილ, მშრალ და სუფთა გარემოში მზის სხივებისაგან დაცულად. მოარიდეთ ისეთ ადგილებს, სადაც ქიმიური ნივთიერებების ორთქლი შეიძლება არსებობდეს. დიდი ხნის განმავლობაში შენახვის შემდეგ ყოველთვის გულდასმით დაათვალიერეთ SRD.

6.4 გადაადგება: გადაადგეთ SRD, თუ მასზე იმოქმედებს ვარდნის შეჩერების ძალა ან შემონმება გამოავლენს მის არაუსაფრთხოებას ან დეფექტს. გადაადგებამდე საანკერო ხაზი შუაზე გაჭერით ან SRD სხვაგვარად გამოიყვანეთ მწყობრიდან, რათა მისი შემთხვევით გამოყენება არ მოხდეს.

7.0 ეტიკეტები

22-ე სურათზე ნაჩვენებია თვითშემტაცი მოწყობილობის ეტიკეტები და ადგილები, სადაც მათ აკრავენ. SRD-ზე ყველა ეს ეტიკეტი უნდა ეკრას. თუ ეტიკეტზე არსებული წარწერა ბოლომდე არ იკითხება, ისინი უნდა გამოიცვალოს. ეტიკეტებზე არსებული პიქტოგრამები ნიშნავს შემდეგს:

1	შეამონმეთ ჩამკეტი კაუჭი და დარტყმის ინდიკატორი
2	შეამონმეთ SRL-ის ჩაკეტვის ფუნქცია
3	შეამონმეთ SRL-ის საკიდარზე მიმაგრება
4	მჭრელ კიდეებზე სერტიფიცირებული არ არის. შეიძლება მიუერთდეს ანკერაჟის წერტილს ზემოთ, ქვემოთ ან ზურგის D-რგოლის დონეზე (მაქს. 140 კგ).
5	გამოიყენეთ -40°C □ □ 60°C-ის ტემპერატურის ფარგლებში
6	მაქსიმუმი ტვირთი - 140 კგ
7	ბოლომდე დააცადეთ ხაზს SRL-ში უკან შეტაცება და ეს პროცესი თქვენ თვალწინ ჩაატარეთ.
8	ნუ გაარემონტებთ
9	შეინახეთ გრილ, მშრალ და სუფთა გარემოში მზის სხივებისაგან დაცულად.
10	ნუ დატვირთავთ ზედმეტად
11	ნუ მოხსნით ეტიკეტს.

ҚАУІПСІЗДІК АҚПАРАТЫ

Осы өздігінен жиналмалы құрылғыны (ӨЖҚ) пайдаланудан бұрын осы нұсқауларда берілген барлық қауіпсіздік ақпаратын оқыңыз, түсініңіз және орындаңыз. МҰНЫ ОРЫНДАМАУ АУЫР ЖАРАҚАТҚА НЕМЕСЕ ӨЛІМГЕ ӘКЕЛУІ МҮМКІН.

Осы нұсқаулар осы жабдықтың пайдаланушысына берілуі керек. Осы нұсқауларды алдағы уақытта пайдалану үшін сақтаңыз.

Пайдалану мақсаты:

Бұл өздігінен жиналмалы құрылғы толық жеке құлаудан қорғау жүйесінің бөлігі ретінде пайдалануға арналған.

Материалмен жұмыс жасау, көңіл көтерумен немесе спортпен байланысты шараларды немесе өнім нұсқауында сипатталмаған басқа әрекеттерді қоса алғанда, бірақ тек олармен ғана шектелмей, кез келген басқа мақсатта қолдануды 3М компаниясы мақұлдамаған және бұл ауыр жарақатқа немесе өлімге әкелуі мүмкін.

Бұл құрылғыны жұмыс орнындағы жағдайларда біліктілігі бар пайдаланушылар ғана пайдалануы керек.

! ЕСКЕРТУ

Бұл өздігінен жиналмалы құрылғы жеке құлаудан қорғау жүйесінің бөлігі болып табылады. Барлық пайдаланушылардан өздерінің құлаудан жеке қорғау жүйесінің қауіпсіз орнату және пайдалану мүмкіндіктерін толық үйрену күтіледі. **Бұл құрылғыны дұрыс пайдаланбау ауыр жарақатқа немесе өлімге әкелуі мүмкін.** Дұрыс таңдау, пайдалану, орнату, техникалық қызмет көрсету және қызмет көрсету туралы ақпаратты осы пайдаланушы нұсқаулығынан және барлық өндіруші нұсқауларынан қараңыз, жетекшіге немесе 3М техникалық қызмет көрсету бөліміне жүгініңіз.

•Алдын алмаған жағдайда ауыр жарақатқа немесе өлімге әкелуі мүмкін ӨЖҚ-ға қатысты қауіптерді азайту үшін:

- Өрбір пайдалану алдында ӨЖҚ-ны және оның дұрыс құлыпталатынын және жиналатынын тексеріңіз.
- Тексеру барысында қауіпті жағдай немесе ақаулық анықтаса, құрылғыны қолданыстан шығарыңыз және пайдаланушы нұсқаулығына сәйкес жөндеңіз немесе ауыстырыңыз.
- Егер ӨЖҚ құлауды тоқтатқан немесе оған соққының әсері тиген болса, ӨЖҚ- ны дереу қолданыстан шығарып, “ҚОЛДАНУҒА ЖАРАМАЙДЫ” деп белгілеңіз.
- Сақтандыру арқанында қандай да бір кедергілердің жоқтығын, соның ішінде, бірақ олармен шектелмей, қозғалмалы техника немесе жабдықтармен (мыс., мұнай мұнарасының жоғарғы жетегі), басқа жұмысшылармен, өзіңізбен, айналасындағы заттармен немесе сақтандыру арқанына немесе жұмысшыға құлауы мүмкін үстіндегі заттармен шатаспайтынына көз жеткізіңіз.
- Сақтандыру арқанының салбыраған жері болмауы керек. Сақтандыру арқанын байлауға немесе түюге болмайды.
- Сақтандырылған белдік орнатылған ӨЖҚ-ның пайдаланылмайтын аяқ(тар)ын белдіктің тұрақ саптамалары бар болса, соларға тіркеңіз.
- Құлау жолында кедергі болатын қолданыстарда пайдалануға болмайды. Құм немесе бидай сияқты баяу суситын материал үстінде немесе оқшауланған және тар жерлерде жұмыс істеген кезде, жұмысшының жылдамдығы ӨЖҚ құрылғысының құлыпталуы үшін жеткіліксіз болуы мүмкін. ӨЖҚ құрылғысының дұрыс құлыпталуын қамтамасыз ету үшін ашық жол қажет.
- Қалыпты жұмыс барысында кенет немесе жылдам қозғалмаңыз. Бұл құрылғының құлыпталып қалуына себеп болуы мүмкін.
- Өртүрлі өндірушілер жасаған компоненттерден құралған құлаудан қорғау жүйелері/қосалқы жүйелері үйлесімді екенін және ANSI Z359 стандартын қоса қолданылатын стандарттардың талаптарына, басқа қолданылатын құлаудан қорғау ережелеріне, стандарттарына немесе талаптарына сәйкес келетінін тексеріңіз. Осы жүйелерді пайдаланудан бұрын, әрдайым өкілетті және/немесе біліктілігі бар тұлғамен кеңесіңіз.

• Алдын алмаған жағдайда ауыр жарақатқа немесе өлімге әкелуі мүмкін биіктікте жұмыс істеуге қатысты қауіптерді азайту:

- Денсаулығыңыз бен физикалық жағдайыңыз биіктікте жұмыс істеумен байланысты барлық күштерге төзімді болатынына көз жеткізіңіз. Осы жабдықты пайдалану қабілетіңізге қатысты қандай да бір сұрақтарыңыз болса, дәрігеріңізбен кеңесіңіз.
- Құлаудан қорғау жабдығының рұқсат етілген жүктеме мөнінен ешқашан асырмаңыз.
- Құлаудан қорғау жабдығының ең көп бос құлау қашықтығын ешқашан асырмаңыз.
- Пайдаланудан алдындағы немесе басқа жоспарлы тексерістерден өтпеген немесе жабдықты қолдануға немесе оның жарамдылығына қатысты күмәнданған жағдайда, құлаудан қорғау жабдығын пайдаланбаңыз. Қандай да бір сұрақтар бойынша 3М техникалық қызмет көрсету бөлімдеріне хабарласыңыз.
- Кейбір қосалқы жүйе мен құрамдас тіркесімдері осы жабдықтың жұмысына кедергі келтіруі мүмкін. Тек үйлесімді қосылымдарды пайдаланыңыз. Осы жабдықты пайдаланушы нұсқауларында сипатталғаннан өзгеше компоненттермен немесе қосалқы жүйелермен бірге пайдаланудан бұрын 3М компаниясымен кеңесіңіз.
- Қозғалатын механизм (мысалы, бұрғылау мұнараларының жоғарғы жетегі), электр қауіпі, шекті температуралар, химиялық заттар, жарылғыш немесе уытты газдар, үшкір жиіктер, сізге немесе құлаудан қорғау жабдығыңызға құлауы мүмкін бас үстіндегі материалдардың айналасында жұмыс істегенде қосымша сақтық шараларын қолданыңыз.
- Қызу деңгейі жоғары орталарда жұмыс істегенде доға жарқылы дөнекерлеу немесе термоөңдеу құралдарын пайдаланыңыз.
- Пайдаланушыға немесе жабдыққа зиян тигізуі мүмкін беттерге және заттарға жақындамаңыз.
- Биіктікте жұмыс істегенде жеткілікті құлау аралығы бар екеніне көз жеткізіңіз.
- Құлаудан қорғау жабдығын ешқашан өзгертпеңіз. Жабдықты жөндеу жұмыстарын тек 3М немесе 3М компаниясы жазбаша түрде рұқсат берген өкілетті тараптар ғана орындай алады.
- Құлаудан қорғау жабдығын пайдаланудан бұрын, құлаған жағдайда құтқару шараларын дереу жүргізуге мүмкіндік беретін құтқару жоспары бар екеніне көз жеткізіңіз.
- Құлау орын алған жағдайда, құлаған жұмысшыға дереу медициналық көмек сұраңыз.
- Дене белдігін құлаудан қорғау мақсатында пайдалануға болмайды. Тек денені толығымен сақтандыру белдігін пайдаланыңыз.
- Мүмкіндігінше дәл бекіту нүктесінің астында жұмыс істеу арқылы тербелістен құлау ықтималдығын барынша азайтыңыз.
- Осы құралмен жаттыққанда, жаттығушыны кездейсоқ құлау қаупінен қорғау үшін қосымша құлаудан қорғау жүйесін пайдалану керек.
- Құралды/жүйені орнатқанда, пайдаланғанда немесе тексергенде ерқашан тиісті жеке қорғағыш жабдықты киіңіз.

Бұл жабдықты пайдалану алдында осы нұсқаулықтың артқы жағындағы «Тексеру және техникалық қызмет көрсету журналының» идентификациялық жапсырмасында берілген өнімнің анықтамалық ақпаратын жазып алыңыз.

СИПАТТАМА:

2-суретте 3M™ DBI-SALA® Nano-Lok өздігінен жиналатын құрылғыларының (ӨЖҚ) негізгі құрамдастары көрсетілген. Nano-Lok ӨЖҚ барабанға оралған тоқыма сақтандыру арқандары (А) болып табылады. Оның нейлон корпусқа (С) жиналатын кірістірілген амортизаторы (В) бар. Корпустың үстіндегі топсалы элементтің ілгіш көзі (D) карабин арқылы (Е) жарамды анкерлік қосылым нүктесіне бекітуге немесе сақтандырғыш белдік интерфейсі (F) арқылы толық сақтандырғыш белдікке бекітуге мүмкіндік береді. 1-суретте қолжетімді Nano-Lok үлгілері және олардың жалғағыш конфигурациялары көрсетілген. Nano-Lok ӨЖҚ және жалғағыш техникалық сипаттамаларын 1-кестеде қараңыз.

1-кесте – Техникалық сипаттамалар

Құрамдастың техникалық сипаттамалары:

ӨЖҚ корпусы	Нейлон
Барабан	Нейлон
Ішкі құрамдастар	Тот баспайтын болат, алюминий
Тоқыма сақтандыру арқаны	Дупеета полиэстері
Амортизатор	Қап: Нитрил резеңке, тоқыма: полиэстер, тігіс: полиэстер немесе нейлон жіп
Топсалы элемент	Цинкпен қапталған болат

Жалғағыштың сипаттамалары:

	Сипаттама	Материал	Ысырманың аузы	Ысырманың беріктігі	Үзілудегі беріктік шегі
1	Топсалы элементтің ілгіш көзі	Болат	22,35 мм (0,88 дюйм) ішкі диаметрі	X	22,2 кН (5000 фунт)
2	Карабин	Алюминий	19 мм (3/4 дюйм)	16 кН (3600 фунт)	22,2 кН (5000 фунт)
3	Карабин	Болат	19 мм (3/4 дюйм)	16 кН (3600 фунт)	22,2 кН (5000 фунт)
4	Жалғыз ӨЖҚ интерфейсі	Болат	51 мм (2 дюйм)	16 кН (3600 фунт)	22,2 кН (5000 фунт)
5	Қос ӨЖҚ интерфейсі	Болат, нейлон кірістірмесі бар	19 мм (3/4 дюйм)	16 кН (3600 фунт)	22,2 кН (5000 фунт)
6	Карабин	Алюминий, болат	56 мм (2,19 дюйм)	16 кН (3600 фунт)	22,2 кН (5000 фунт)
7	Карабин	Алюминий	19 мм (3/4 дюйм)	16 кН (3600 фунт)	22,2 кН (5000 фунт)
8	Арматураға арналған ілмек	Алюминий	57 мм (2-1/4 дюйм)	16 кН (3600 фунт)	22,2 кН (5000 фунт)
9	Арматураға арналған ілмек	Алюминий	63 мм (2-1/2 дюйм)	16 кН (3600 фунт)	22,2 кН (5000 фунт)
10	Карабин	Алюминий	52 мм (2 дюйм)	16 кН (3600 фунт)	22,2 кН (5000 фунт)
11	Арматураға арналған ілмек	Алюминий, болат	63 мм (2-1/2 дюйм)	16 кН (3600 фунт)	22,2 кН (5000 фунт)
12	Карабин	Болат	19 мм (3/4 дюйм)	16 кН (3600 фунт)	22,2 кН (5000 фунт)
13	Арматураға арналған ілмек	Алюминий	57 мм (2-1/4 дюйм)	16 кН (3600 фунт)	22,2 кН (5000 фунт)
14	Ілмек-карабин	Болат	19 мм (3/4 дюйм)	16 кН (3600 фунт)	22,2 кН (5000 фунт)

Жұмыс сипаттамалары:

ӨЖҚ техникалық сипаттамалары (тік)	СЕ үлгілері	
Жүк көтергіштік ауқымы	59 кг - 100 кг (130 фунт - 220 фунт)	100 кг - 140 кг (220 фунт - 310 фунт)
Максималды тоқтату күші	6 кН (1350 фунт)	6 кН (1350 фунт)
Орташа тоқтату күші	4 кН (900 фунт)	4 кН (900 фунт)
Мәлімделген ең көп тоқтату қашықтығы ¹	0,61 м (24 дюйм)	0,61 м (24 дюйм)
Қажетті ең аз құлау аралығы ¹	1,5 м (5 фут)	1,8 м (5,8 фут)
Ең көп өркін құлау ²	1,5 м (5 фут)	1,5 м (5 фут)

1 - ӨЖҚ тікелей соңғы пайдаланушының үстінде (басының үстінде) бекітілген деп есептеледі.

2 - Пайдаланушының D тәрізді сақинасынан бастап жүру/жұмыс бетіне дейін өлшенеді. Мәліметтерді құлау аралығы кестелерінде қараңыз.

1.0 ҚОЛДАНУ ЖАҒДАЙЛАРЫ

- 1.1 МАҚСАТЫ:** Өздігінен жиналмалы құрылғылар (ӨЖҚ-лар) жеке құлауды тоқтату жүйесінің (ЖҚТЖ) құрамдасы ретінде пайдалануға арналған. 1-суретте осы пайдалану нұсқаулығында қамтылған ӨЖҚ-лар көрсетілген. Оларды жұмысшының ептілігін және құлаудан қорғауды қамтамасыз ету қажет болатын жағдайларда (мыс. тексеру жұмыстары, жалпы құрылыс, техникалық қызмет көрсету жұмыстары, мұнай өндіру, тар жерлерде жұмыс істегенде) пайдалануға болады.
- 1.2 СТАНДАРТТАР:** Сіздің ӨЖҚ-ңыз осы нұсқаулықтың алдыңғы мұқабасында көрсетілген мемлекеттік және аймақтық стандарт(тар)ға сәйкес келеді. Жеке құлаудан қорғау жүйесі туралы қосымша ақпарат алу үшін еңбек қауіпсіздігін реттейтін жергілікті, мемлекеттік және федералдық (OSHA) нормаларды қараңыз.
- 1.3 ОҚЫТУ:** Бұл жабдықты оны дұрыс қолдану бойынша оқытылған адамдар тарапынан пайдаланылуы қажет. Осы нұсқаулықты оқып шығу, жабдықты күтіп ұстау және оны дұрыс пайдаланылуы үйренуге пайдаланушының жауапкершілігіне жатады. Пайдаланушы жұмыс сипаттары, қолданыс шектеулері және дұрыс пайдаланбау салдары жөнінде хабардар болуы тиіс.
- 1.4 ШЕКТЕУЛЕР:** Осы жабдықты орнату немесе пайдалану кезінде келесі шектеулерді ескеріңіз:

- **Жүк көтергіштігі:** ӨЖҚ-лар (киім, құралдар, т.б. қоса алғандағы) жалпы салмағы 1-кестеде көрсетілген *Жүк көтергіштігі диапозонына* сәйкес келетін бір адамның пайдалануына арналған. Жүйедегі барлық құрамдас бөлшектердің жүк көтергіштігі қолдану жағдайына сай келетіндігін тексеріңіз.
- **Анкерлік бекіткіш:** ӨЖҚ-ға арналған анкерлік құрылым 12 кН (2697 фунт) жүктемелерді көтере алатын болуы қажет. Анкерлік бекіту құрылғылары EN795 немесе басқа да қолданыстағы анкерлік жалғағыш стандарттарына сай болуы тиіс.
- **Құлыптау жылдамдығы:** Кедергісіз құлау жолы болмайтын жағдайларға жол бермеуіңіз қажет. Оқшауланған немесе тар жерлерде не еңіс беттерде жұмыс істеп, құлаған жағдайда дене жылдамдығы ӨЖҚ құрылғысының құлыпталуы үшін жеткіліксіз болуы мүмкін. Құм немесе бидай сияқты баяу суситын материал үстінде жұмыс істеген кезде жылдамдық ӨЖҚ құрылғысының құлыпталуы үшін жеткіліксіз болуы мүмкін. ӨЖҚ құрылғысының дұрыс құлыпталуын қамтамасыз ету үшін ашық жол қажет.
- **Еркін құлау:** Анкерлік бекіткіш бастың үстінде орнатылғанда, ӨЖҚ-лар еркін құлау қашықтығын 0,6 м-ге (2 футқа) шектейді¹. Құлау қашықтығының тым үлкен болуына жол бермеу үшін, ӨЖҚ-ны дәл жұмыс деңгейінің үстінен бекітіңіз. ӨЖҚ-ны 1,5 м-ден (5 фут) артық еркін құлау қашықтығын жасайтын анкерлік бекіту нүктесіне бекітуге болмайды. Сақтандыру арқаны басқа жұмысшының сақтандыру арқанына оралуы немесе шатасуы мүмкін болатын жерлерде жұмыс істемеңіз. Бір нәрсе құлап, сақтандыру арқанына соғылуы нәтижесінде тепе-теңдіктің жоғалуына немесе сақтандыру арқанының зақымдалуына әкелуі ықтимал жерлерде жұмыс істемеңіз. Сақтандыру арқанын қолдың астынан немесе аяқтың арасынан өткізуге болмайды. Сақтандыру арқанын қысуға, түюге немесе оның жиналуына не қатты керуге болмайды. Желінің босап тұрмауын қамтамасыз етіңіз. **3М компаниясымен ақылдаспай, ілгіш бауды немесе соған ұқсас құрамдасты жалғау арқылы ӨЖҚ-ларды ұзартпаңыз.**
- **Тербеліп құлау:** Анкерлік бекіту нүктесі құлау орын алатын нүктенің дәл үстінде болмаған жағдайда тербеліп құлау орын алады. Тербеліп құлау кезінде қандай да бір затқа соғылудың күші ауыр жарақатқа әкелуі мүмкін (3А суретін қараңыз). Тербеліп құлау ықтималдығын барынша азайту үшін мүмкіндігінше бекіту нүктесінің дәл астында жұмыс істемейсіз (3В суреті). Анкерлік бекіту нүктесінен (3С суреті) алыс жұмыс істеу шайқалып құлау әсерін арттырады және қажетті құлау аралығын (ҚА) арттырады.
- **Құлау аралығы:** 3В суретінде құлау аралығын есептеу әдісі көрсетілген. Құлау аралығы (ҚА) – еркін құлау (ЕҚ), бәсеңдеу қашықтығы (БҚ) және қауіпсіздік коэффициентінің (КК) қосындысы болып табылады: $ҚА = ЕҚ + БҚ + КК$. D тәрізді сақинаның жылжуы мен ілгіш баудың керілісі қауіпсіздік коэффициентіне қосылған. Құлау аралығының мәндері есептелген және 4-суреттегі диаграммаға енгізілген. 4-суреттегі барлық мәндерге 1 м (3,28 фут) қауіпсіздік коэффициенті қолданылған. 4-суреттегі құлау аралығы (ҚА) артқы ӨЖҚ қосылымы мен анкерлік бекіту нүктесі арасындағы көлденең (К) және тік (Т) қашықтық негізінде көрсетілген. Диаграмма(лар)дағы әрбір көлденең тор сызығы анкерлік бекіту нүктесінен тік қашықтықты білдіреді. Әрбір тік тор сызығы анкерлік бекіту нүктесінен көлденең қашықтықты білдіреді. Құлау аралығының (ҚА) мәні көлденең (К) және тік (Т) тор сызықтары қиылысатын аймақ (параболалық сызықтар) арқылы анықталады. 4-суреттегі мысалда аталған көлденең (К) және тік (Т) қашықтықтар үшін қажетті құлау аралығын (ҚА) анықтау әдісі көрсетілген.

Өзгермелі анкерлік бекіту нүктелері: 4-суреттегі құлау аралықтары қатты, тұрақты анкерлік бекіту нүктесіне негізделген. Егер көлденең сақтандыру арқанына (КСА) немесе құлау барысында қозғалуы, жылжуы немесе деформациялануы мүмкін анкерлік нүктеге бекітілетін болса, 4-суреттегі құлау аралығының мәндері қолданылмайды. Қажетті құлау аралықтары, ауытқулар және/немесе деформацияларды КСА немесе анкерлік бекіткіш нұсқаулығынан қараңыз.

Тізерлеу немесе жүресінен отыру: 4-суреттегі аралық диаграммаларында жұмысшының тік тұрған күйде болғаны жобаланған. Егер жұмысшы тізерлеп немесе жүресінен отыратын болса, қосымша 0,9 м (3 фут) құлау аралығы қажет болады.

Аяқтың астынан анкермен бекітуге болмайды: аяғыңыздан төмен тұрған анкерлік бекіту нүктесіне жалғамаңыз.

- **Қауіптер:** Пайдаланушының жарақат алу немесе жабдықтың зақымдалу ықтималдығын барынша азайту үшін, бұл жабдықты қоршаған ортаның қауіпті аймақтарында пайдаланған кезде қосымша сақтық шараларын қолдану қажет болуы мүмкін. Қауіп-қатерлерге келесілер кіруі, бірақ олармен шектелмеуі мүмкін: жылу, күйдіргіш химиялық заттар, коррозиялық орталар, жоғары кернеулі қуат желілері, жарылғыш немесе улы газдар, қозғалмалы техника немесе құлап, пайдаланушыға немесе жеке құлауды тоқтату жүйесіне тиюі мүмкін жоғарғы жақтағы материалдар. Сақтандырғыш арқан басқа жұмысшының ілгіш бауына оралуы немесе шатасуы мүмкін болатын жерлерде жұмыс істемеңіз. Бір нәрсе құлап, сақтандыру арқанына соғылуы нәтижесінде тепе-теңдіктің жоғалуына немесе сақтандыру арқанының зақымдалуына әкелуі ықтимал жерлерде жұмыс істемеңіз. Сақтандыру арқанын қолдың астынан немесе аяқтың арасынан өткізуге болмайды.
- **Үшкір жиектер:** Құлау барысында ӨЖҚ құрылғысы тиюі мүмкін үшкір жиектердің радиусы кемінде 0,3 см (0,125 дюйм) болуы тиіс. Үшкір жиекке тиюдің алдын алу мүмкін болмаса, жиекті қорғағыш материалмен жабыңыз.

¹ **Еркін құлау:** ӨЖҚ-ның дұрыс қолданылып, пайдаланушының тікелей анкерлік бекіту нүктесінің астында жұмыс істеуі және сақтандыру арқанының босап тұрмауы еркін құлауды тоқтатады. Жарамды анкерлік бекіту орындарын 4-суреттен қараңыз.

2.0 Жүйені пайдалану

- 2.1 ҚҰЛАУДАН ҚОРҒАУ ЖӘНЕ ҚҰТҚАРУ ЖОСПАРЫ:** Жұмыс берушіде құлаудан қорғау және құтқару жоспары болуы тиіс. Бұл жоспарда жұмыс беруші жүзеге асыратын құлаудан қорғау бағдарламасына, соның ішінде саясаттарға, міндеттерге және оқытуға қатысты нұсқаулар мен талаптар, құлаудан қорғау процедуралары, құлау қаупінің алдын алу және басқару, құтқару процедуралары, апат жағдайларын зерттеу нәтижелері және бағдарламаның тиімділігін бағалау туралы мәлімет берілуі тиіс.
- 2.2 ТЕКСЕРУ ЖИІЛІГІ:** ӨЖҚ-ларды әрбір пайдалану алдында білікті тұлға¹ немесе құтқарушы² тексеруі тиіс (3-кестені қараңыз). Осыған қоса, пайдаланушыдан басқа білікті тұлға³ қосымша тексеріс жүргізуі қажет. Жұмыс жасауға қолайсыз жағдайларда (ауа-райы қолайсыз жер, ұзақ уақыт пайдалану және т.б.) білікті тұлғаның жиірек тексеруі талап етілуі мүмкін. Тиісті тексеру аралықтарын анықтау үшін білікті тұлға *Тексеру жоспарын (2-кесте)* пайдалануы қажет. Тексеру процедурасы «Тексеру және техникалық қызмет көрсету журналында» (3-кесте) сипатталған. Білікті тұлға тексерісінің нәтижелері «Тексеру және техникалық қызмет көрсету журналына» немесе радиожілікті анықтау (RFID) жүйесіне жазылуы керек (5-бөлімді қараңыз).
- 2.3 ҚАЛЫПТЫ ЖҰМЫСТАР:** Қалыпты жұмыс жағдайында жұмысшы қалыпты жылдамдықпен қозғалған кезде сақтандыру арқаны кедергісіз немесе босап қалмай ұзартылады және жиналады. Егер құлау жағдайы орын алса, жылдамдықты анықтайтын тежелу жүйесі іске қосылып, құлауды тоқтатады және пайда болған күштің көп бөлігін сіңіреді. Қалыпты жұмыс барысында кенеттен немесе жылдам қозғалуға болмайды, себебі бұл ӨЖҚ-ның құлыпталуына әкелуі мүмкін. Құлау жағдайы сақтандыру арқаны жолының шетіне жақын орын алған кезде, құлауды тоқтату күшін азайту үшін резервтік сақтандыру арқанының жүйесі немесе амортизатор ендірілген.
- 2.4 ДЕНЕ ТІРЕУІ:** Өздігінен жиналмалы құрылғымен бірге толық сақтандырғыш белдік пайдаланылуы тиіс. Белдіктің жалғау нүктесі пайдаланушының ауырлық ортасынан жоғары болуы тиіс. Өздігінен жиналмалы құрылғымен дене белдігін пайдалануға рұқсат етілмейді. Дене белдігін пайдалану кезінде құлау жағдайы орын алса, дене салмағын дұрыс көтермеуі себебінен ол өздігінен босатылуы немесе жарақаттауы мүмкін.
- 2.5 ҚҰРАМДАСТАРДЫҢ ҮЙЛЕСІМДІЛІГІ:** Басқасы көрсетілмесе, 3М жабдықтары 3М компаниясы мақұлдаған құрамдастармен және қосалқы жүйелермен ғана пайдалануға арналған. Мақұлданбаған құрамдастармен немесе қосалқы жүйелермен алмастыру немесе ауыстыру жабдықтың үйлесімділігіне кері әсерін тигізіп, жалпы жүйенің қауіпсіздігіне және сенімділігіне кері ықпалын тигізуі мүмкін.
- 2.6 ЖАЛҒАҒЫШТАРДЫҢ ҮЙЛЕСІМДІЛІГІ:** Орнатылатын бағдарына қарамастан, өлшемдері мен пішіндері себебінен ысырма механизмдері байқаусызда ашылмайтын жолмен бірге жұмыс істейтіндей жобаланған кезде, жалғағыштар жалғағыш элементтермен үйлесімді болып саналады. Үйлесімділік бойынша сұрақтарыңыз болса, 3М компаниясына хабарласыңыз. Жалғағыштар (ілгектер, карабиндер және D пішіндес сақиналар) кем дегенде 22,2 кН (5000 фунт) салмақты көтере алуы қажет. Жалғағыштар анкермен немесе басқа жүйе құрамдастарымен үйлесімді болуы керек. Үйлеспейтін жабдықты пайдалануға болмайды. Үйлеспейтін жалғағыштар өздігінен босап кетуі мүмкін (5-суретті қараңыз). Жалғағыштардың өлшемі, пішіні және беріктігі үйлесімді болуы керек. Өздігінен құлыпталатын ілмектер мен карабиндер қажет. Ілмек немесе карабин бекітілетін жалғағыш элементтің өлшемі немесе пішіні дұрыс болмаса, жалғағыш элемент ілмектің немесе карабиннің ысырмасына (А) салмақ түсірген кезде қауіпті жағдай туындауы мүмкін. Бұндай салмақтың себебінен ысырма ашылып (В), ілмектің немесе карабиннің жалғау нүктесінен (С) ажыратылуына себеп болуы мүмкін.
- 2.7 ҚОСЫЛЫМДАР ЖАСАУ:** Осы жабдықпен пайдаланылатын ілгектер мен карабиндер өздігінен құлыпталатын болуы тиіс. Барлық жалғанған жерлердің өлшемдері, пішіні және беріктігі үйлесімді болғанына көз жеткізіңіз. Үйлеспейтін жабдықты пайдалануға болмайды. Барлық жалғағыштардың толық жабылып, құлыпталғанын тексеріңіз. 3М жалғағыштары (бекітілетін ілмектер және карабиндер) тек өнімнің пайдаланушы нұсқаулығында көрсетілгендей пайдалану үшін жобаланған. Дұрыс жалғамаудың мысалдарын 6-суреттен қараңыз.

Ілмектерді және карабиндерді келесі жағдайларда жалғауға болмайды:

- A. Басқа жалғағыш бекітілген кезде D пішіндес сақинаға жалғау.
- B. Ысырмаға күш түсіретін жолмен жалғау. Ілгек 16 кН (3600 фунттық) ысырмамен жабдықталған жағдайларды есепке алмағанда, ауызы үлкен ілмектерді стандартты өлшемдегі D пішіндес сақиналарға немесе соған ұқсас заттарға жалғауға болмайды, себебі ілмек немесе D пішіндес сақина бұралған немесе айналған кезде ол ысырмаға күш түсіреді.
- C. Жалғағыштардың өлшемі мен пішіні үйлеспей, дұрыс жалғанбаған кезде, жалғағыштар визуалды растаусыз толық бекітілген болып көрінеді.
- D. Бір-біріне.
- E. Тікелей тоқыма бауға, арқан белдігіне немесе арқандық ілмекке жалғау (екі арқанға және жалғағышқа арналған өндірушінің нұсқаулығында бұндай қосылымға рұқсат етілген жағдайларды есепке алмағанда).
- F. Ілгектің немесе карабиннің жабылуына немесе құлыпталуына мүмкіндік бермейтін және шығып кетуі мүмкін пішіндегі немесе өлшемдегі кез келген затқа жалғау.
- G. Салмақ түскен кезде жалғағыштың тиісті түрде туралануына мүмкіндік бермейтін жолмен жалғау.

2-кесте – Тексеру жоспары

Қолданыс түрі	Пайдалану мысалдары	Пайдалану шарттары	Тексеру жиілігі
			Білікті тұлға
Сирек - жеңіл	Құтқару және тар кеңістік, зауыттық қызмет көрсету	Жақсы сақтау шарттары, ғимарат ішінде немесе сирек жағдайларда далада қолдану, бөлме температурасы, таза орталар	Жыл сайын
Орташа - ауыр	Тасымалдау, тұрғын үй құрылысы, инженерлік желілер, қойма	Орташа сақтау шарттары, ғимараттың ішінде және ұзақ уақыт далада қолдану, барлық температуралар, таза немесе шаңды орталар	Жарты жыл - бір жыл сайын
Ауыр - үздіксіз	Коммерциялық құрылыс, мұнай-газ, тау-кен	Ауыр сақтау шарттары, ұзақ уақыт немесе үздіксіз далада қолдану, барлық температуралар, лас орта	Тоқсан сайын - жарты жыл сайын

¹ Рұқсат етілген тұлға: Жұмыс беруші тарапынан тағайындалып, құлау қаупі бар жұмыс орындарында қызмет атқаратын тұлға.

² Құтқарушы: Құтқару жүйесінің көмегімен апаттық-құтқару жұмыстарын орындайтын, құтқарылатын тұлғадан басқа адам немесе адамдар.

³ Білікті тұлға: Жұмыс беруші ұйымдастырған құлаудан қорғау бағдарламасын бақылау, жүзеге асыру және қадағалауға жауапты тұлға ретінде жұмыс беруші тарапынан тағайындалатын, алған білімінің көмегімен нақты және ықтимал құлау қауіптерін анықтауға, бағалауға және оны жоюға қабілетті, жұмыс берушінің осындай қауіп-қатерлерге қатысты жедел шара қолдануға өкілеттік алған адам.

3.0 Орнату

- 3.1 ЖҰМЫСТЫ ЖОСПАРЛАУ:** Жұмысқа кірісуден бұрын құлаудан қорғау жүйесін пайдалануға қатысты жоспар құрыңыз. Құлаудан бұрын, құлаған жағдайда және одан кейін қауіпсіздігіңізге әсерін тигізуі мүмкін барлық факторларды ескеріңіз. 2-бөлімде берілген барлық талаптар мен шектеулерді ескеріңіз.

Қолдану жағдайларының көпшілігінде Nano-Lok ӨЖҚ анкерлік бекіткішке немесе сақтандырғыш белдіктің артқы жағына қосуға болады. Кез келген бағдарға рұқсат етілген; 4-бөлімде ескертілгенді қоспағанда.

- 3.2 АНКЕРЛІК БЕКІТІШ:** 7-суретте әдеттегі ӨЖҚ анкерлік қосылымдары көрсетілген. Еркін құлау аралығы және тербеліс салдарынан құлау қаупі ең төмен болатын бекіту нүктесін таңдаңыз (1-бөлімді қараңыз). 1-бөлімде берілген статикалық жүктемелерді көтере алатын берік бекіту нүктесін таңдаңыз. Бастың үстінде анкерлік бекіту мүмкін емес кезде, Nano-Lok ӨЖҚ-дарын пайдаланушының артқы D тәрізді сақинасының деңгейінен төмен анкерлік нүктеге бекітуге болады. 140 кг-ға (310 фунт) дейінгі пайдаланушылар үшін анкерлік нүкте артқы D тәрізді сақинадан 5 футтан (1,5 м) артық төмен болмауы керек.

- 3.3 САҚТАНДЫРҒЫШ БЕЛДІКТІ БЕКІТУ:** Кейбір ӨЖҚ үлгілері ӨЖҚ-ды толық сақтандырғыш белдікке артқы D тәрізді сақинаның тура астында бекітуге арналған жалғыз ӨЖҚ немесе қос ӨЖҚ сақтандырғыш белдік интерфейсінің қамтиды:

Кейбір толық сақтандырғыш белдіктер артқы D тәрізді сақинаны сақтандырғыш белдікке бекітілетін өздігінен жиналатын құралдармен біріктіретін жеке ӨЖҚ байланысымен (PSRL байланысымен) жабдықталған (8-сурет). Сондай-ақ ӨЖҚ-ды сақтандырғыш белдіктің артқы D тәрізді сақинасына қарабин арқылы қосуға болады.

- **Жалғыз ӨЖҚ сақтандырғыш белдігін бекіту:** Жұмысшының қозғалғыштығы маңызды жағдайда ӨЖҚ сақтандырғыш белдік интерфейсінің ӨЖҚ-ды толық сақтандырғыш белдікке қайтадан артқы D тәрізді сақинаның тура астында бекіту үшін пайдалануға болады (9-суретті қараңыз). Содан кейін жұмысшы бүкіл жұмыс орнындағы әртүрлі анкерлік нүктелер арқылы ӨЖҚ-дың ілгіш бау ұшымен ӨЖҚ-ды қайта-қайта қайта орнатусыз қосыла алады. ӨЖҚ-ды толық сақтандырғыш белдікке ӨЖҚ сақтандырғыш белдік интерфейсі арқылы бекіту үшін:
 1. **Сақтандырғыш белдік тоқымасын босатыңыз:** ӨЖҚ сақтандырғыш белдік интерфейсінің тоқыма баулар және D тәрізді сақина жастықшасы арасында сырғыту үшін жеткілікті кеңістік болғанша артқы D тәрізі сақинаның (B) төменгі жағы арқылы өтетін жерде тоқыма бауларды (A) сыртқа тартыңыз.
 2. **Сақтандырғыш белдік интерфейсінің ашыңыз:** Құлыптау түймелерін (C) бір уақытта төмен қарай басыңыз және құлыптау істігін (D) сыртқа сырғытыңыз.
 3. **ӨЖҚ-ды сақтандырғыш белдік интерфейсінде орналастырыңыз:** Сақтандырғыш белдік интерфейсіндегі ашық ысырманы ӨЖҚ-дағы топсалы элементтің ілгіш көзі (E) арқылы кіргізіңіз. ӨЖҚ сақтандырғыш белдік интерфейсінің (F) тірегінен салбырап тұратындай интерфейсті топсалы элемент ілгіш көздері арқылы өткізіңіз.
 4. **Сақтандырғыш белдік интерфейсінің тоқыма баулардың айналасында орналастырыңыз:** Сақтандырғыш белдік интерфейсінің ашық ысырмасын бос тоқыма баулардың (A) айналасында орналастырыңыз.
 5. **Сақтандырғыш белдік интерфейсінің жабыңыз:** Сақтандырғыш белдік интерфейсінің құлыптау істігін (D) бос тоқыма баулар (A) арқылы сақтандырғыш белдік интерфейсінің қарама-қарсы жағында орнында құлыпталғанша басыңыз. Сақтандырғыш белдік интерфейсінің бекіту үшін тоқыма бауларды артқы D тәрізді сақина және артқы жастықша арқылы артқа тартыңыз.

Сақтандырғыш белдік интерфейсінің құлпын ашса, сақтандырғыш белдік интерфейсінің құлыптау істігінің тетік соңындағы қызыл жолақ ашылады. Қосылымның кездейсоқ босауын болдырмау үшін, сақтандырғыш белдікті пайдалану және ӨЖҚ-ды жалғау алдында әрқашан сақтандырғыш белдік интерфейсінің құлыптаулы екенін тексеріңіз. Мұны орындамау жарақатқа немесе өлімге әкелуі мүмкін.

- **Қос ӨЖҚ сақтандырғыш белдігін бекіту:** 100% бекіту қажет өрмелеу жағдайларында ӨЖҚ сақтандырғыш белдік интерфейсінің екі ӨЖҚ-ды толық сақтандырғыш белдіктің артында, артқы D тәрізді сақинаның тура астында қатар бекіту үшін пайдалануға болады. Екі ӨЖҚ толық сақтандырғыш белдікте ӨЖҚ сақтандырғыш белдік интерфейсі арқылы бекіту үшін:
 1. **Сақтандырғыш белдік тоқымасын босатыңыз:** ӨЖҚ сақтандырғыш белдік интерфейсінің тоқыма баулар және D тәрізді сақина жастықшасы арасында сырғыту үшін жеткілікті кеңістік болғанша артқы D тәрізі сақинаның (B) төменгі жағы арқылы өтетін жерде тоқыма бауларды (A) сыртқа тартыңыз.
 2. **Сақтандырғыш белдік интерфейсінің ашыңыз:** Құлыптау түймелерін (C) бір уақытта төмен қарай басыңыз және құлыптау істігін (D) сыртқа сырғытыңыз.
 3. **ӨЖҚ-дарды сақтандырғыш белдік интерфейсінде орналастырыңыз:** Сақтандырғыш белдік интерфейсіндегі ашық ысырманы әрбір ӨЖҚ-дағы топсалы элементтің ілгіш көзі (E) арқылы кіргізіңіз. ӨЖҚ-дар сақтандырғыш белдік интерфейсінің (F) тірегінен салбырап тұратындай интерфейсті топсалы элемент ілгіш көздері арқылы өткізіңіз.
 4. **Сақтандырғыш белдік интерфейсінің тоқыма баулардың айналасында орналастырыңыз:** Сақтандырғыш белдік интерфейсінің ашық ысырмасын бос тоқыма баулардың (A) айналасында орналастырыңыз.
 5. **Сақтандырғыш белдік интерфейсінің жабыңыз:** Сақтандырғыш белдік интерфейсінің құлыптау істігін (D) бос тоқыма баулар (A) арқылы сақтандырғыш белдік интерфейсінің қарама-қарсы жағында орнында құлыпталғанша басыңыз. Сақтандырғыш белдік интерфейсінің бекіту үшін тоқыма бауларды артқы D тәрізді сақина және артқы жастықша арқылы артқа тартыңыз.

Сақтандырғыш белдік интерфейсінің құлпын ашса, сақтандырғыш белдік интерфейсінің құлыптау істігінің тетік соңындағы қызыл жолақ ашылады. Қосылымның кездейсоқ босауын болдырмау үшін сақтандырғыш белдікті пайдалану және ӨЖҚ-ды жалғау алдында әрқашан сақтандырғыш белдік интерфейсінің құлыптаулы екенін тексеріңіз. Мұны орындамау жарақатқа немесе өлімге әкелуі мүмкін.

- **Қос ӘЖҚ бекітілген D тәрізді сақинасы бар сақтандырғыш белдікті бекіту:** Бекітілген D тәрізді сақинасы бар ескірек ExoFit толық сақтандырғыш белдіктері екі ӘЖҚ-ды сақтандырғыш белдіктің артында D тәрізді сақинаның тура астында бекіту үшін арнайы ӘЖҚ сақтандырғыш белдік интерфейсін қажет етеді. ӘЖҚ бекітілген D тәрізді сақинасы бар сақтандырғыш белдік интерфейсі арқылы екі ӘЖҚ-ды ExoFit толық сақтандырғыш белдігінде бекіту үшін (10-сурет):
 1. **Сақтандырғыш белдік тоқымасын босатыңыз:** ӘЖҚ сақтандырғыш белдік интерфейсін тоқыма баулар және артқы жастықша арасында кіргізу үшін жеткілікті кеңістік болғанша артқы D тәрізді сақинаның (B) төменгі жағы арқылы өтетін жерде тоқыма бауларды (A) сыртқа тартыңыз.
 2. **Сақтандырғыш белдік интерфейсін ашыңыз:** ӘЖҚ-дың сақтандырғыш белдік интерфейсін суреттегідей орналастырып, құлыптау муфтасын (C) оңға қарай басыңыз, содан кейін ысырма (D) құлпын ашу үшін сағат тілімен бұрыңыз. Ашу үшін ысырманы (D) төмен қарай бұрыңыз.
 3. **Бірінші ӘЖҚ-ды сақтандырғыш белдік интерфейсі арқылы өткізіңіз:** Жалғағыш ұшын (E) ӘЖҚ-дағы топсалы элементтің ілгіш көзі (F) арқылы кіргізіңіз, содан кейін ӘЖҚ-ды жалғағыштың (G) ысырма соңының айналасында айналдырыңыз. Ысырма және жалғағыш арқасы арасында топсалы элементтің ілгіш көзі үшін аралыққа мүмкіндік беру үшін ысырманы жабуға болады.
 4. **Сақтандырғыш белдік интерфейсін тоқыма баулардың айналасында орналастырыңыз:** Жалғағыш (E) ұшын тоқыма баулардың (A) артына кіргізіңіз. Тоқыма баулардың артындағы жалғағышты жалғағыш тоқыма бауларды қоршағанша айналдырыңыз.
 5. **Сақтандырғыш белдік интерфейсінде екінші ӘЖҚ-ды қосыңыз:** ӘЖҚ-дың топсалы элементінің ілгіш көзін (F) жалғағыш ұшының (E) үстіне сырғытыңыз және ӘЖҚ топсалы элементінің ілгіш көзін жалғағыш ұшының соңында орналастырыңыз.
 6. **Сақтандырғыш белдік интерфейсін жабыңыз:** Ысырманың (D) бұрылып жабылуына және құлыптау муфтасының (C) қайтадан құлыпталған күйге айналуына мүмкіндік беріңіз. Сақтандырғыш белдік интерфейсі жабылғаннан кейін тоқыма бауларды (A) артқы D тәрізді сақина арқылы артқа тартып, тоқымадағы бостықты кетіріңіз әрі сақтандырғыш белдік интерфейсін тоқыма баулар және артқы жастықша арасында бекітіңіз.
- **3M® DBI-SALA® қос карабині:** 3M® DBI-SALA® қос карабині екі Nano-Lok ӘЖҚ-ды толық сақтандырғыш белдіктің артында артқы D тәрізді сақинаның тура астында қатар бекітуге арналған (12-суретті қараңыз). Екі Nano-Lok ӘЖҚ-ды қос карабині бар толық сақтандырғыш белдікте бекіту үшін:
 1. **Сақтандырғыш белдік тоқымасын босатыңыз:** Қос бөлік интерфейсін тоқыма баулар және D тәрізді сақина жастықшасы арасында сырғыту үшін жеткілікті кеңістік болғанша артқы D тәрізі сақинаның (B) төменгі жағы арқылы өтетін жерде тоқыма бауларды (A) сыртқа тартыңыз.
 2. **Қос карабинді ашыңыз:** Қысқыштарды (D) жалғағыштан босату үшін жалғағышты жоғары қарай басыңыз, содан кейін ысырма құлпын ашу үшін жалғағыш кірістірмесін жоғары қарай бұрыңыз. Жалғағышты ашу үшін ысырманы (E) ішке қарай басыңыз.
 3. **Бірінші Nano-Lok ӘЖҚ-ды қос карабинге қосыңыз:** Жалғағыш ұшын (F) ӘЖҚ-дағы топсалы элементтің ілгіш көзі (G) арқылы кіргізіңіз, содан кейін ӘЖҚ-ды жалғағыштың (H) ысырма соңының айналасында айналдырыңыз. Ысырма және жалғағыш арқасы арасында топсалы элементтің ілгіш көзі үшін аралыққа мүмкіндік беру үшін ысырманы ұшқа қарай айналдыруға болады.
 4. **Қос карабинді тоқыма баулардың айналасында орналастырыңыз:** Ысырма жоғары қарап тұрғанда, жалғағыш (F) ұшын тоқыма баулардың (A) артына кіргізіңіз. Тоқыма баулардың артындағы жалғағышты жалғағыш тоқыма бауларды қоршағанша айналдырыңыз.
 5. **Қос карабинде екінші Nano-Lok ӘЖҚ-ды қосыңыз:** ӘЖҚ-дың топсалы элементінің ілгіш көзін (G) жалғағыш ұшының (F) үстіне сырғытыңыз және ӘЖҚ топсалы элементінің ілгіш көзін жалғағыштың (F) ұш соңында орналастырыңыз. Ысырманы (E) бұрып жабыңыз.
 6. **Қос карабинді жабыңыз:** Жалғағыш кірістірмесін (C) алға қарай, қысқыштар (D) жалғағышта бекітілетіндей айналдырыңыз. Тиісті түрде жабылған болса, тоқыма баулар жалғағыш кірістірмесінің жоғарғы жағындағы тоқыма саңылау (J) арқылы өтуі және ӘЖҚ топсалы элементінің ілгіш көздерін жалғағыш кірістірменің бір жағындағы ойықтарда (K) бекіту керек. Сақтандырғыш белдік интерфейсі жабылғаннан кейін тоқыма бауларды (A) артқы D тәрізді сақина және D тәрізді сақина жастықшасы арқылы артқа тартып, тоқымадағы бостықты кетіріңіз әрі жалғағышты тоқыма баулар және D тәрізді сақина жастықшасы арасында бекітіңіз.
- **3M® DBI-SALA® қос істікті карабині:** Бұл сақтандырғыш белдік бекітпесін бір Nano-Lok ӘЖҚ немесе екі Nano-Lok ӘЖҚ 100% бекіту қажет өрмелеу жағдайларында (11-суретті қараңыз) пайдалануға болады:
 1. **Сақтандырғыш белдік тоқымасын босатыңыз:** Қос бөлік интерфейсін тоқыма баулар және D тәрізді сақина жастықшасы арасында сырғыту үшін жеткілікті кеңістік болғанша артқы D тәрізі сақинаның (B) төменгі жағы арқылы өтетін жерде тоқыма бауларды (A) сыртқа тартыңыз.
 2. **Жалғыз конфигурация үшін:** Жалғыз ӘЖҚ-дың топсалы элементінің ілгіш көзін орталық ашық кеңістікке қойыңыз.
 3. **Қос конфигурация үшін:** бір ӘЖҚ-дың топсалы элементінің ілгіш көзін істікке ең жақын және бір ӘЖҚ-ды істіктен ең алыс ашық кеңістікте орналастырыңыз.
 4. «Шырт» еткен дыбысты естігенше істікті орнына қайта сырғытыңыз. Істік орнында берік құлыпталуы керек.
 5. Істікті сырғытып шығарып жатқанда жалғағыштың сақтандырғыш белдік жағындағы екі түймені бір уақытта басыңыз. Бұл істікті сырғытып шығару ашық кеңістік жасайды.
 6. Сақтандырғыш белдіктегі артқы D тәрізді сақинаның дәл астындағы тоқымадағы шағын бос мөлшерін тартып кетіріңіз. Жалғағыштың сақтандырғыш белдік жағын D тәрізді сақинаның астына қойыңыз.
 7. Істікті қайтадан орнына сырғытып кіргізіңіз. Істік сақтандырғыш белдік тоқымасының екі қабатының астында қалуы керек және «шырт» еткен дыбыс естілуі керек. Істік орнында берік құлыпталуы керек.

4.0 ПАЙДАЛАНУ

Өздігінен жиналатын құралдарды (ӘЖҚ) алғашқы рет немесе сирек пайдаланатын қолданушылар ӘЖҚ пайдаланудан бұрын осы нұсқаулықтың басындағы «Қауіпсіздік мәліметімен» танысуы керек.

- 4.1 ЭРБІР ПАЙДАЛАНУ АЛДЫНДА:** Эрбір пайдалану алдында бұл құлаудан қорғау жабдығы жақсы жұмыс күйінде екенін мұқият тексеру керек. Тозған немесе зақымдалған бөліктер бар-жоғын тексеріңіз. Барлық бұрандамалар бар екеніне және тартылғанына көз жеткізіңіз. Арқанды сыртқа тарту және баяу жиналуына мүмкіндік беру арқылы сақтандыру арқаны тиісті түрде жиналатынына көз жеткізіңіз. Жиналуда кез келген кідіріс болса, оны пайдаланудан шығарып, жою керек. Сақтандыру арқанында кесіктер, үйкелген жерлер, күйіктер, мыжылған жерлер және коррозия бар-жоғын тексеріңіз. Арқанды қатты тарту арқылы құлыптау әрекетін тексеріңіз. Тексеру мәліметтерін тексеру және техникалық қызмет көрсету журналында (3-кесте) қараңыз. Егер тексеру барысында қауіпті жағдай анықталса, пайдаланбаңыз.
- 4.2 ҚҰЛАУДАН KEЙІН:** Құлау кезінде ұстап қалу күштері әсер еткен немесе 3-кестеде сипатталғандай құлаудан қорғау күштерінің әсеріне сай келетін зақымдану белгілері бар кез келген жабдықты пайдалануды дереу доғарып, жойып жіберу қажет.
- 4.3 ДЕНЕ ТІРЕУІ:** Толық сақтандырғыш белдік ЭЖҚ-ды пайдаланғанда тозуы керек. Жалпы құлаудан қорғау үшін пайдалану үшін артқы D тәрізді сақинаға қосыңыз.
- 4.4 ҚОСЫЛЫМДАР ЖАСАУ:** 5-суретте ЭЖҚ құлауды тоқтату жүйелерінің сақтандырғыш белдік және анкерлік қосылымдары көрсетілген. Қосылым орнату үшін ілгекті пайдаланғанда шығып кету орын алмайтынына көз жеткізіңіз (5-суретті қараңыз). Тіркелетін элементтің үстінде толық жабылмайтын ілмектерді немесе жалғағыш элементтерді пайдаланбаңыз. Құлыпталмайтын карабиндерді пайдалануға болмайды. Анкерлік бекіткіш 2-кестеде көрсетілген анкерлік бекіткіштің күшіне қойылатын талаптарға сай болуы керек. Эрбір жүйенің құрамдас бөлігімен бірге келген өндіруші нұсқауларын орындаңыз.
- 4.5 ПАЙДАЛАНУ:** Пайдалану алдында ЭЖҚ-ды 3-кестеде сипатталғандай тексеріңіз. 14-суретте әдеттегі ЭЖҚ қолданыс жағдайларына арналған жүйелік жалғау элементтері берілген. ЭЖҚ-ды қолайлы анкерлік бекіткішке қосыңыз немесе ЭЖҚ-ды 3-бөлімдегі нұсқауларға сай қайтадан толық сақтандырғыш белдікке бекітіңіз. Анкерлік бекіткішке қосылған ЭЖҚ-дарда жүктеме индикаторындағы ілгекті (D) немесе карабинді толық сақтандырғыш белдіктегі артқы D тәрізді сақинаға (A) қосыңыз. Сақтандырғыш белдік бекітілген ЭЖҚ-дарда ілгекті (D) немесе карабинді қолайлы анкерлік бекіткішке қосыңыз. Жалғанған жерлердің өлшемдері, пішіні және беріктігі үйлесімді болғанына көз жеткізіңіз. Ілгектің толық жабылып, құлыпталғанын тексеріңіз. Бекіткеннен кейін жұмысшы ұсынылған жұмыс аумағында қалыпты жылдамдықтарда еркін қозғала алады. Құлау орын алса, ЭЖҚ құлыпталады және құлауды тоқтатады. Құтқарғаннан кейін ЭЖҚ пайдаланудан шығарыңыз. ЭЖҚ-мен жұмыс істегенде әрқашан сақтандыру арқанының бақылау астындағы құралға жиналуына мүмкіндік беріңіз.
- 4.6 ЕКІ БӨЛІКТЕН ТҰРАТЫН ЭЖҚ 100% ІЛУ НҮКТЕСІ:** Толық сақтандырғыш белдіктің артында екі ЭЖҚ қатар бекіткенде ЭЖҚ құлауды тоқтату жүйесін көтерілу, төмен түсу немесе көлденеңінен жылжу кезінде үздіксіз құлаудан қорғау (100% бекіту) үшін пайдалануға болады (15-суретті қараңыз). Бір ЭЖҚ ілгіш бауының бөлігін анкерлі бекіту нүктесіне жалғау арқылы жұмысшы жаңа орынға жылжып, ЭЖҚ ілгіш бауының екінші бөлігін өзге анкерлі бекіту нүктесіне іліп, ілгіш бауды бастапқы анкерлі бекіту нүктесінен босата алады. Бұл әрекетті жұмысшы қажетті орынға жеткенше қайталай беруге болады. Екі бөліктен тұратын ЭЖҚ 100% бекіту қолдану кезіндегі ескеретін жайттар:
- ЭЖҚ ілгіш бауларының екеуін де ешқашан бір анкерлі бекіту нүктесіне ілмеңіз (16A суреті).
 - Бір анкерлі бекітпе нүктесіне (сақина немесе ілгіш көз) бірнеше жалғағыш элементті ілу жалғағыш элементтер арасындағы байланыс салдарынан жалғау үйлесімділігіне кері әсерін тигізуі мүмкін, сондықтан бұлай етуге кеңес берілмейді.
 - Мүмкін болса, ЭЖҚ ілгіш бауының әрқайсысын бөлек анкерлі нүктеге іліңіз (16B суреті).
 - Эрбір қосу орны 2248 фунтты (10 кН) тәуелсіз тіреуі немесе көлденең сақтандыру арқаны сияқты жобаланған жүйе болуы керек.
 - Екі бөліктен тұратын ЭЖҚ-ға бір адамнан артық ешқашан жалғамаңыз (16C суреті).
 - Ілгіш баулардың бір-біріне маталып немесе бұратылып қалуына жол бермеңіз, себебі бұл олардың кері жиналуын бөгеуі мүмкін.
 - Қолданыс кезінде ілгіш баулардың қолдың астымен немесе аяқтың ортасымен өтуіне жол бермеңіз.
- 4.7 ҚОС ЭЖҚ-ДЫҢ АРТҚЫ D ТӘРІЗДІ САҚИНАСЫН БЕКІТУ:** Үш функциялы карабині бар үлгілерді артқы D тәрізді сақинаға қос конфигурацияда бекітуге болады: Екі ЭЖҚ-ды сақтандырғыш белдіктің артқы D тәрізді сақинасына бекіту үшін (13-сурет):
1. **Үш функциялы карабинді ашыңыз:** Үш функциялы карабинді суреттегідей орналастырып, құлыптау муфтасын (C) оңға қарай басыңыз, содан кейін ысырманьң құлпын ашу үшін сағат тілінің бағытымен бұрыңыз (D). Ашу үшін ысырманы (D) төмен қарай бұрыңыз.
 2. **Бірінші ЭЖҚ-ды үш функциялы карабинге қосыңыз:** Жалғағыш ұшын (E) ЭЖҚ-дағы топсалы элементтің ілгіш көзі (F) арқылы кіргізіңіз, содан кейін ЭЖҚ-ды жалғағыштың (G) ысырма соңының айналасында айналдырыңыз. Ысырма және жалғағыш арқасы арасында топсалы элементтің ілгіш көзі үшін аралыққа мүмкіндік беру үшін ысырманы жабуға болады.
 3. **Үш функциялы карабинде екінші ЭЖҚ қосыңыз:** ЭЖҚ-дың топсалы элемент ілгіш көзін (F) жалғағыш ұшының үстіне (E) сырғытыңыз.
 4. **Үш функциялы карабинді D тәрізді сақина арқылы өткізіңіз:** Жалғағыш ұшын (E) артқы D тәрізді сақина (A) арқылы кіргізіңіз. Ысырманы жабу мүмкін болғанша жалғағышты D тәрізді сақинада айналдырыңыз.
 5. **Үш функциялы карабинді жабыңыз:** Ысырманы (D) бұрылып жабылуына және құлыптау муфтасының (C) қайтадан құлыпталған күйге айналуына мүмкіндік беріңіз.
- 4.8 КӨЛДЕНЕҢ ЖҮЙЕЛЕР:** ЭЖҚ көлденең жүйемен (яғни, көлденең сақтандыру арқаны, көлденең I-Beams арбашықтары) бірге пайдаланылатын қолдану жағдайларында ЭЖҚ және көлденең жүйе құрамдастары үйлесімді болуы керек. Көлденең жүйелерді білікті инженердің қадағалауымен жобалау және орнату керек. Мәліметтерді алу үшін көлденең жүйе жабдығы өндірушісінің нұсқауларын қараңыз.

4-суреттегі толық аралық мәндері қатты, тұрақты анкерлік нүктеге бекітуге негізделген және көлденең сақтандыру арқаны (HLL) жүйесіне бекітуге қолданылмайды. Қажетті құлау аралықтарын анықтау үшін HLL пайдалану нұсқаулығын қараңыз және HLL орнатушысынан кеңес алыңыз.

5.0 Тексеру

5.1 РЖС БИРКАСЫ: Өздігінен жиналатын құрал радио жиілікті идентификация (RFID) белгісін қамтиды (17-суретті қараңыз). Тексеріс пен инвентарды бақылау жұмысын жеңілдету және құлаудан қорғау жабдығыңызға қатысты жазбалар енгізу үшін РЖС биркасын қолға шақталған оқу құрылғысымен және веб порталмен бірге пайдалануға болады. Мәлімет алу үшін ЗМ техникалық қызмет көрсету өкілімен (артқы жағын қараңыз) хабарласыңыз. Деректеріңізді веб кітапшаға көшіру үшін қолға шақталған оқу құралында немесе веб порталда берілген нұсқауларды орындаңыз.

5.2 ТЕКСЕРУ ЖИІЛІГІ: Өздігінен жиналатын құралды 2-бөлімде анықталған аралықтарда тексеріп тұру керек. Тексеру процедуралары «Тексеру және техникалық қызмет көрсету журналында» (3-кесте) сипатталған.

Жұмыс жасауға қолайсыз жағдайлар (ауа-райы қолайсыз жерлер, ұзақ уақыт пайдалану және т. б.) тексеріс жиілігін арттыруды талап етуі мүмкін (2-кестені қараңыз).

5.3 ҚАУІПТІ НЕМЕСЕ ЖАРАМСЫЗ КҮЙІ: Тексеру қауіпті немесе ақаулы жағдайды көрсетсе, ӨЖҚ дереу қызметтен шығарып, қоқысқа лақтырыңыз (6-бөлімді қараңыз).

Жабдықты жөндеу жұмыстарын тек ЗМ немесе ЗМ компаниясы жазбаша түрде рұқсат берген өкілетті тараптар ғана орындай алады.

5.4 ӨНІМНІҢ ЖАРАМДЫЛЫҚ МЕРЗІМІ: ЗМ өздігінен жиналатын құралдарының қызмет көрсету мерзімін жұмыс жағдайлары және техникалық қызмет көрсету анықтайды. Өнім тексеріс талаптарына сай болып шықса, оны (өнімнің ең көп жарамдылық мерзімі бойы) пайдалана беруге болады. Текстилдік тоқыма сақтандыру арқандарының ең көп өнім мерзімі өндіру күнінен бастап 10 жылды құрайды.

6.0 ТЕХНИКАЛЫҚ ҚЫЗМЕТ КӨРСЕТУ, ҚЫЗМЕТ КӨРСЕТУ және САҚТАУ

6.1 ТАЗАЛАУ: ӨЖҚ-ды тазалау процедуралары келесідей:

- ӨЖҚ сыртын су және әлсіз сабын ерітіндісімен арақидік тазалап тұрыңыз. ӨЖҚ артық суы ағып кететіндей орналастырыңыз. Жапсырмаларды қажетінше тазалаңыз.
- Тоқыма арқанды сумен және әлсіз сабын ерітіндісімен тазалаңыз. Сумен шайып, сыртқа іліп, толық кептіріңіз. Ыстық кезімен күштеп кептірмеңіз. Арқанның қорапқа кері жиналуына жол беруден бұрын оны құрғату қажет. Балшықтың, бояудың және т.б. шамадан тыс жиналып қалуы қорабына толықтай кері жиналуына кедергі жасауы мүмкін, бұл өз кезегінде арқанның еркін құлау кезінде қауіпті болуына әкеледі.

6.2 ҚЫЗМЕТ: ӨЖҚ жөндеу мүмкін емес. Егер ӨЖҚ-ға құлау күші қолданылса немесе тексеріс барысында қауіпті не ақаулы күйі анықталса, ӨЖҚ-ны дереу қолданыстан шығарып, қоқысқа тастаңыз («Қоқысқа лақтыру» бөлімін қараңыз).

6.3 САҚТАУ/ТАСЫМАЛДАУ: ӨЖҚ салқын, әрі құрғақ және күннің тік сәулесі түспейтін таза ортада сақтап, тасымалдаңыз. Химиялық заттардың буы бар болуы мүмкін жерлерден алыс ұстаңыз. Қандай да бір ұзақ уақыт сақтағаннан кейін ӨЖҚ мұқият тексеріңіз.

6.4 ҚОҚЫСҚА ЛАҚТЫРУ: Құлауды тоқтату күштері әсер етсе, я болмаса тексеру қауіпті немесе ақаулы жағдайды анықтаса, ӨЖҚ-ды қоқысқа лақтырыңыз. ӨЖҚ қоқысқа лақтыру алдында кездейсоқ қайта пайдалану ықтималдығын болдырмау үшін сақтандыру арқанын екіге кесіңіз немесе ӨЖҚ басқалай пайдалану мүмкін емес етіңіз.

7.0 Таңбалар

22-суретте өздігінен жиналатын құралдардағы жапсырмалар және олардың орындары көрсетілген. ӨЖҚ-да барлық жапсырмалар болуы тиіс. Толығымен оқу мүмкін болмаса, жапсырмаларды ауыстыру керек. Жапсырмалардағы пиктограммалардың мағыналары келесідей:

1	Карабин және соққы индикаторын тексеріңіз
2	ӨЖҚ-дың құлыптау әрекетін тексеріңіз
3	ӨЖҚ-ды сақтандырғыш белдікке қосудың дұрыс жолы
4	Өткір жиекте пайдалану сертификатталмаған. Артқы D тәрізді сақинаның үстінде, астында немесе онымен бір деңгейде анкерлік бекіткіш нүктесіне қосуға болады (ең көбі 140 кг).
5	Пайдалану температураларының ауқымы -40°C – +60°C
6	Ең көп жүк көтергіштігі 140 кг
7	Әрқашан сақтандыру арқанының ӨЖҚ ішіне бақылау астында жиналуына мүмкіндік беріңіз
8	Жөндеуге болмайды
9	Салқын, әрі құрғақ және күннің тік сәулесі түспейтін таза ортада сақтап, тасымалдаңыз.
10	Жиегінде жүктеме түсіруге болмайды
11	Жапсырманы алмаңыз

3-кесте – Тексеру және техникалық қызмет көрсету журналы

Сериялық нөмірі(лері):		Сатып алынған күні:	
Үлгі нөмірі:		Алғашқы пайдаланылған күні:	
Тексеру күні:		Тексерген:	
Құрамдас:	Тексеру: (Тексеру жиілігін 2-бөлімде қараңыз)	Өтті	Өтпеді
SRD (18-сурет)	Босаған бекіткіштер және майысқан немесе зақымдалған бөліктер бар-жоғын тексеріңіз.	<input type="checkbox"/>	<input type="checkbox"/>
	Корпуста (А) пішіні өзгеру, жарықтар немесе басқа зақым бар-жоғын тексеріңіз.	<input type="checkbox"/>	<input type="checkbox"/>
	Топсалы элементте (В) және топсалы элементтің ілгіш көзінде (С) немесе кірістірілген жалғағышта (D) пішіні өзгеру, жарықтар немесе басқа зақым бар-жоғын тексеріңіз. Топсалы элементті ӨЖҚ-ға берік түрде бекіту керек, бірақ еркін айналуы керек. Топсалы элементтің ілгіш көзі немесе кірістірілген жалғағыш топсалы элементте еркін айналуы керек.	<input type="checkbox"/>	<input type="checkbox"/>
	Тоқыма сақтандыру арқаны (Е) кідіріссіз немесе бос күйді тудырусыз шығарылуы және жиналуы керек.	<input type="checkbox"/>	<input type="checkbox"/>
	Сақтандыру арқанын кенет жұлқығанда ӨЖҚ құлыпталатынына көз жеткізіңіз. Құлыптау жұмыс істеуі керек, сырғымауы керек.	<input type="checkbox"/>	<input type="checkbox"/>
	Таңбалардың барлығы өз орнында болып, оңай оқылуы қажет (20-суретті қараңыз).	<input type="checkbox"/>	<input type="checkbox"/>
	Бүкіл ӨЖҚ-да коррозия белгілері бар-жоғын тексеріңіз.	<input type="checkbox"/>	<input type="checkbox"/>
Соңғы жалғағыштар (19-сурет)	2-кестеде Nano-Lok ӨЖҚ үлгісінде қамтылуы керек соңғы жалғағыштар көрсетілген. Карабинді ілгекте, карабиндерде, арматураға ілінетін ілмектерде, интерфейстерде, т.б. зақымдалу, тот басу белгілерінің бар-жоғын тексеріңіз және жұмысқа қолайлы жағдайдың бар екеніне көз жеткізіңіз. Келесі талаптар орындалуы тиіс: Ысырмалар тиісті түрде ашылуы, жабылуы, құлыпталуы және құлпы ашылуы әрі құлыптау түймелері және құлыптау істіктері тиісті түрде жұмыс істеуі керек.	<input type="checkbox"/>	<input type="checkbox"/>
Тоқыма сақтандыру арқаны (20-сурет)	Өрме бауды тексеріңіз - кесу (А), тарқатылу (В) іздері немесе үзілген талшықтар болмауы қажет. Жыртылу, қажалу, қатты лайлану (С), шіру, күйу (D) немесе түссіздену белгілерінің бар-жоғын тексеріңіз. Тігістерді тексеріңіз - суырылған немесе кесілген тігістердің бар-жоғын тексеріңіз. Үзілген тігістер сақтандыру белдігінің соққыға душар болғанының белгісі болуы мүмкін және қолданыстан шығарылуы қажет.	<input type="checkbox"/>	<input type="checkbox"/>
Амортизатор (21-сурет)	Біртұтас амортизатордың іске қосылмағанына көз жеткізіңіз. Ашық қап немесе жыртылған қап (А), қаптан суырылған өрме бау, жыртылған немесе тарқатылған өрме бау (В), үзілген тігістер, т.б. іске қосылған амортизатордың белгілері болып табылады.	<input type="checkbox"/>	<input type="checkbox"/>
Ақауларды жою/техникалық қызмет және жөндеу:		Бекіткен:	
		Күні:	
Ақауларды жою/техникалық қызмет және жөндеу:		Бекіткен:	
		Күні:	
Ақауларды жою/техникалық қызмет және жөндеу:		Бекіткен:	
		Күні:	
Ақауларды жою/техникалық қызмет және жөндеу:		Бекіткен:	
		Күні:	
Ақауларды жою/техникалық қызмет және жөндеу:		Бекіткен:	
		Күні:	
Ақауларды жою/техникалық қызмет және жөндеу:		Бекіткен:	
		Күні:	
Ақауларды жою/техникалық қызмет және жөндеу:		Бекіткен:	
		Күні:	
Ақауларды жою/техникалық қызмет және жөндеу:		Бекіткен:	
		Күні:	

Prieš naudodamiesi įtraukiamuoju įtaisu (IĮ) perskaitykite visą šiose instrukcijose pateiktą saugos informaciją, ją supraskite ir laikykitės jos. **TO NEPADARIUS GALIMA SUNKIAI SUSIŽALOTI ARBA ŽŪTI.**

Šios instrukcijos turi būti pateiktos šios įrangos naudotojui. Išsaugokite šias instrukcijas, jei ateityje jų prireiktų.

Numatytoji paskirtis

Šis įtraukiamasis įtaisas skirtas naudoti kaip visos asmeninės apsaugos nuo kritimo sistemos dalis.

„3M“ nėra patvirtinusi jokios kitos paskirties, įskaitant, be apribojimų, medžiagų tvarkymą, poilsinę ar sporto veiklą arba bet kokią kitą šiose naudotojo instrukcijose neaprašytą veiklą, o taip naudojant galima sunkiai susižaloti arba žūti.

Šiuo įtaisu gali naudotis tik parengti darbuotojai darbo reikmėms.

IŠPĖJIMAS

Šis įtraukiamasis įtaisas yra asmeninės apsaugos nuo kritimo sistemos dalis. Tikimasi, kad visi naudotojai bus reikiamai išmokyti, kaip saugiai parengti ir naudotis savo asmenine apsaugos nuo kritimo sistema. **Netinkamai naudojantis šiuo įtaisu galima sunkiai susižaloti arba žūti.** Kaip tinkamai pasirinkti, naudoti, parengti, prižiūrėti ir remontuoti, skaitykite šiose naudotojo instrukcijose, įskaitant visas gamintojo rekomendacijas, kreipkitės į savo viršininką arba „3M“ technines tarnybas.

• Kaip sumažinti riziką, kuri gali kilti dirbant su IĮ ir kurios neišvengus galima sunkiai susižaloti arba mirti.

- Prieš kiekvieną kartą naudodamiesi apžiūrėkite IĮ ir patikrinkite, ar jis tinkamai fiksuoja ir įtraukia.
- Jeigu patikrinus aptinkama nesaugi būklė ar defektų, nustokite naudotis įtaisu ir pataisykite arba pakeiskite pagal naudotojo instrukcijas.
- Jeigu IĮ paveikė kritimo stabdymo arba smūgio jėga, nedelsdami nustokite juo naudotis ir paženklinkite įtaisą „NENAUDOJAMAS“.
- Pasirūpinkite, kad gelbėjimo virvei niekas netrukdytų, įskaitant, be apribojimų, įspainiojimą į judančias mašinas arba įrangą (pvz., naftos bokštų viršutinę pavarą), kitus darbuotojus, Jus patį, aplinkinius objektus ir viršuje esančių daiktų smūgi įiems krentant ant gelbėjimo virvės arba darbuotojo.
- Niekada neleiskite gelbėjimo virvei atsipalaiduoti. Neprišikite gelbėjimo virvės, nedarykite mazgų ant jos.
- Prijunkite nepanaudotą (-as) prie apraišų tvirtinamo IĮ atšaką (-as) prie apraišų nenaudojamų priemonių laikiklių (jeigu jie yra).
- Nenaudokite vietose, kuriose nėra laisvo kritimo kelio. Dirbant ant lėtai slenkančios medžiagos, pvz., smėlio ar grūdų, arba ankštoje erdvėje, darbuotojas gali nepasiekti pakankamo greičio, kad IĮ suveiktų. Norint, kad IĮ patikimai suveiktų, reikia laisvo kritimo kelio.
- Įprastai dirbdami venkite staigių arba greitų judesių. Įtaisas dėl to gali užsiblokuoti.
- Įsitikinkite, kad apsaugos nuo kritimo sistemos ir posistemės, surinktos iš skirtingų gamintojų pagamintų komponentų, būtų suderinamos ir atitiktų taikomų standartų reikalavimus, įskaitant ANSI Z359 ar kitas taikomas apsaugos nuo kritimo normas, standartus ir reikalavimus. Prieš naudodamiesi šiomis sistemomis visada pasitarkite su kompetentingu ir (arba) kvalifikuotu asmeniu.

• Kaip sumažinti riziką, galinčią kilti dirbant dideliame aukštyje, kurios neišvengus galima sunkiai susižaloti arba mirti.

- Būkite tikri, kad dėl savo sveikatos ir fizinės būklės galėsite saugiai atlaikyti visas su darbu dideliame aukštyje susijusias jėgas. Jeigu turite kokių nors klausimų dėl savo gebėjimo naudotis šia įranga, pasitarkite su gydytoju.
- Niekada neviršykite savo apsaugos nuo kritimo įrangos leidžiamos laikomosios galios.
- Niekada neviršykite savo apsaugos nuo kritimo įrangos maksimalaus laisvojo kritimo atstumo.
- Niekada nesinaudokite apsaugos nuo kritimo įranga, kuri nepereina prieš naudojimą atliekamos ar kurios nors kitos planinės patikros, arba jeigu turite nuogąstavimų dėl įrangos naudojimo ar tinkamumo norimai paskirčiai. Visais klausimais kreipkitės į „3M“ technines tarnybas.
- Kai kurie posistemės ir komponentų deriniai gali mažinti šios įrangos funkcionalumą. Naudokite tik suderinamas jungtis. Jeigu norite naudoti šią įrangą su kitais nei šiose naudotojo instrukcijose aprašytais komponentais ar posistemėmis, pasitarkite su „3M“.
- Dirbdami šalia judančių mašinų (pvz., naftos bokšto viršutinės pavaros), kuriose yra elektros pavojų, kraštutinėje temperatūroje, esant cheminių pavojų, sprogių ar nuodingų dujų, prie aštrių briaunų ar po kabančiomis medžiagomis, kurios gali nukristi ant Jūsų ar apsaugos nuo kritimo įrangos, būkite ypač atsargūs.
- Dirbdami aukštos temperatūros aplinkoje naudokite kategorijos „Arc Flash“ arba „Hot Works“ įtaisas.
- Venkite paviršių ir daiktų, kurie gali pakenkti naudotojui arba įrangai.
- Dirbdami dideliame aukštyje pasirūpinkite, kad būtų pakankamas laisvasis kritimo aukštis.
- Niekada nemodifikuokite ir nekeiskite savo apsaugos nuo kritimo įrangos. Šią įrangą gali taisyti tik „3M“ arba raštu įgalioti subjektai.
- Prieš naudodamiesi apsaugos nuo kritimo įranga pasirūpinkite, kad būtų parengtas gelbėjimo planas, pagal kurį būtų galima greitai išgelbėti, jei įvyktų kritimo incidentas.
- Įvykus kritimo incidentui nedelsdami pasirūpinkite nukritusio darbuotojo medicinine apžiūra.
- Kritimo stabdymo sistemoms nenaudokite kūno diržo. Naudokite tik su viso kūno apraišomis.
- Išvenkite supamojo kritimo galimybės dirbdami kiek galima tiesiau po inkaravimo vieta.
- Jeigu mokomasi naudotis šiuo įtaisu, antroji apsaugos nuo kritimo sistema turi būti naudojama taip, kad nekeltų besimokančiajam nenumatyto kritimo pavojaus.
- Parengdami, naudodamiesi arba tikrindami įtaisą ar sistemą visuomet naudokite atitinkamas asmenines apsaugos priemones.

Prieš naudodamiesi šia įranga, įrašykite gaminio identifikacijos informaciją iš ID etiketės į šios instrukcijos gale esantį „Tikrinimo ir priežiūros žurnalą“.

APRAŠAS

2 paveiksle pavaizduoti „3M™“ įtraukiamųjų įtaisų (IĮ) „DBI-SALA® Nano-Lok“ pagrindiniai komponentai. IĮ „Nano-Lok“ yra į rites vnyiojamos diržinės gelbėjimo virvės (A) su linijoje esančiu energijos sugėrikliu (B), kuris ištraukia į nailoninį korpusą (C). Sukamoji kilpa (D) korpuso viršuje skirta karabinu (E) prijungti prie tinkamos inkaravimo jungties vietos arba viso kūno apraišų su jungtimi (F). 1 paveiksle nurodyti galimi „Nano-Lok“ modeliai ir jų jungties konfigūracijos. IĮ „Nano-Lok“ ir jungties specifikacijas žr. 1 lentelėje.

1 lentelė. Specifikacijos

Komponentų specifikacijos

IĮ korpusai	Nailonas
Ritė	Nailonas
Vidiniai komponentai	Nerūdijantis plienas, aliuminis
Diržinė gelbėjimo virvė	„Dyneema“ poliesteris
Energijos sugėriklis	Dangalas: Nitrilo guma, Diržas: Poliesteris, Siūlės: Poliesterio arba nailono siūlas
Sukutis	Cinkuotas plienas

Jungties specifikacijos:

	Aprašas	Medžiaga	Fiksatoriaus anga	Fiksatoriaus stiprumas	Tempiamasis stipris
①	Sukamoji kilpa	Plienas	22,35 mm (0,88 col.) vidinis skersmuo	X	22,2 kN (5 000 sv.)
②	Karabinas	Aliuminis	19 mm (3/4 col.)	16 kN (3 600 sv.)	22,2 kN (5 000 sv.)
③	Karabinas	Plienas	19 mm (3/4 col.)	16 kN (3 600 sv.)	22,2 kN (5 000 sv.)
④	Vieno IĮ sietuvas	Plienas	51 mm (2 col.)	16 kN (3 600 sv.)	22,2 kN (5 000 sv.)
⑤	Dviejų IĮ sietuvas	Plienas su nailono įdėklų	19 mm (3/4 col.)	16 kN (3 600 sv.)	22,2 kN (5 000 sv.)
⑥	Karabinas	Aliuminis, plienas	56 mm (2,19 col.)	16 kN (3 600 sv.)	22,2 kN (5 000 sv.)
⑦	Karabinas	Aliuminis	19 mm (3/4 col.)	16 kN (3 600 sv.)	22,2 kN (5 000 sv.)
⑧	Kablys armatūrai	Aliuminis	57 mm (2-1/4 col.)	16 kN (3 600 sv.)	22,2 kN (5 000 sv.)
⑨	Kablys armatūrai	Aliuminis	63 mm (2-1/2 col.)	16 kN (3 600 sv.)	22,2 kN (5 000 sv.)
⑩	Karabinas	Aliuminis	52 mm (2 col.)	16 kN (3 600 sv.)	22,2 kN (5 000 sv.)
⑪	Kablys armatūrai	Aliuminis, plienas	63 mm (2-1/2 col.)	16 kN (3 600 sv.)	22,2 kN (5 000 sv.)
⑫	Karabinas	Plienas	19 mm (3/4 col.)	16 kN (3 600 sv.)	22,2 kN (5 000 sv.)
⑬	Kablys armatūrai	Aliuminis	57 mm (2-1/4 col.)	16 kN (3 600 sv.)	22,2 kN (5 000 sv.)
⑭	Karabininis kablys	Plienas	19 mm (3/4 col.)	16 kN (3 600 sv.)	22,2 kN (5 000 sv.)

Funkcionalumo specifikacijos

IĮ specifikacijos (vertikalus)	CE modeliai	
Laikomosios galios intervalas	59–100 kg (130–220 sv.)	100–140 kg (220–310 sv.)
Maksimali stabdymo jėga	6 kN (1 350 sv.)	6 kN (1 350 sv.)
Vidutinė stabdymo jėga	4 kN (900 sv.)	4 kN (900 sv.)
Deklaruojamas didžiausias stabdymo atstumas ¹	0,61 m (24 col.)	0,61 m (24 col.)
Minimalus būtinas laisvojo kritimo atstumas ¹	1,5 m (5 pėd.)	1,8 m (5,8 pėd.)
Maksimalus laisvojo kritimo atstumas ²	1,5 m (5 pėd.)	1,5 m (5 pėd.)

1 – IĮ turi būti sumontuotas tiesiai virš naudotojo.

2 – matuojama nuo naudotojo jungiamojo žiedo iki vaikštojo / darbinio paviršiaus. Daugiau informacijos pateikta laisvojo kritimo aukščio grafike (-uose).

1.0 NAUDOJIMO SRITIS

- 1.1 PASKIRTIS:** Įtraukiamieji įtaisai (IĮ) skirti naudoti kaip asmeninės kritimo stabdymo sistemos (AKSS) dalį. 1 paveiksle pavaizduoti IĮ, kuriems skirta ši instrukcija, ir tipiniai jų naudojimo būdai. Juos galima naudoti daugeliu aplinkybių, kai būtinas darbuotojų mobilumo ir apsaugos nuo kritimo derinys (t. y., tikrinimo darbams, statybose, techninės priežiūros darbuose, naftos gavyboje, dirbant ankštoje erdvėje ir kt.).
- 1.2 STANDARTAI:** IĮ atitinka šios instrukcijos viršelyje nurodytus šalies arba regiono standartus. Papildomos informacijos apie asmenų apsaugą nuo kritimo pateikta vietinėse, valstybinėse ir federalinėse (OSHA) darbo saugos taisyklėse.
- 1.3 PASIRENGIMAS:** Ši įranga skirta naudotis asmenims, kurie yra parengti ja tinkamai naudotis. Galutinis naudotojas savo atsakomybe turi pasirūpinti, kad jie būtų supažindinti su šiais nurodymais ir parengti tinkamai prižiūrėti ir naudotis šia įranga. Naudotojai turi žinoti ir naudojimo charakteristikas, paskirties ribas ir netinkamo naudojimo pasekmes.
- 1.4 APRIBOJIMAI:** Parengdami šią įrangą ir naudodamiesi ja visuomet turėkite omenyje toliau nurodytus apribojimus:
- Laikomoji galia:** IĮ skirti naudoti vienam asmeniui, kurio bendras svoris (su drabužiais, įrankiais ir kt.) atitinka 1 lentelėje nurodytą *Laikomosios galios intervalą*. Pasirūpinkite, kad visų sistemos komponentų laikomoji galia atitiktų jūsų darbo poreikius.
 - Inkaravimas:** IĮ inkaravimo konstrukcija turi galėti atlaikyti iki 12 kN (2 697 sv.) apkrovą. Inkaravimo įtaisai privalo atitikti EN 795 arba kitus taikomus inkaravimo jungčių standartus.
 - Fiksavimo greitis:** Reikia vengti aplinkybių, kurios neleistų susidaryti laisvam kritimo keliui. Dirbant ankštose ar siaurose erdvėse, arba ant nuolaidaus paviršiaus, kūnas gali nepasiekti reikiamo greičio, kad krintant suveiktų IĮ. Dirbant ant lėtai slenkančios medžiagos, pvz., smėlio ar grūdų, jie gali nepasiekti pakankamo greičio, kad IĮ suveiktų. Norint, kad IĮ patikimai suveiktų, reikia laisvo kritimo kelio.
 - Laisvasis kritimas:** Inkaruojant virš galvos IĮ apribos laisvojo kritimo atstumą iki 0,6 m (2 pėdų)¹. Kad kritimo atstumas būtų kuo mažesnis, tvirtinkite IĮ tiesiai virš darbo lygio. Niekada nejunkite IĮ prie inkaravimo taško, kur laisvasis kritimas būtų didesnis nei 1,5 m (5 pėdos). Nedirbkite ten, kur gelbėjimo virvė gali susikryžiuoti arba susipainioti su kito darbuotojo gelbėjimo virve. Nedirbkite ten, kur daiktai gali kristi ir pataikyti į gelbėjimo virvę ir taip pargriauti žmogų arba pažeisti virvę. Gelbėjimo virvė negali eiti po rankomis arba tarp kojų. Niekada nesuspauskite, neriškite mazgų ir nestabdykite įsitraukiančios gelbėjimo virvės arba nedarykite taip, kad ji būtų tempiama. Neleiskite virvei atsipalaiduoti. **Nepasikonsultavę su „3M“ neilginkite IĮ prijungdami papildomą lyną arba panašų daiktą.**
 - Supamasis kritimas:** Supamasis kritimas įvyksta, kai inkaravimo vieta yra ne tiesiai virš kritimo vietos. Dėl supamojo kritimo atsitrengiant į objektą susidaranti jėga gali sukelti sunkių sužalojimų (žr. 3A paveikslą). Išvenkite supamojo kritimo galimybes dirbdami kiek galima tiesiau po inkaravimo vieta (žr. 3B paveikslą). Dirbant toliau nuo inkaravimo taško (žr. 3C paveikslą) didėja supamojo kritimo smūgis ir mažėja reikiamas laisvasis kritimo aukštis (LKA).
 - Laisvasis kritimo aukštis:** Laisvasis kritimo paskaičiavimas pavaizduotas 3B paveiksle. Laisvasis kritimo aukštis (LKA) yra laisvojo kritimo (LK), lėtėjimo atstumo (LA) ir saugos faktoriaus (SF) suma: $FC = FF + DD + SF$. Į saugos faktorių įtrauktas jungiamojo žiedo slydimas ir apraišų išsitempimas. Laisvojo kritimo aukščio vertės apskaičiuotos ir pateiktos 4 paveiksle. Visoms 4 paveiksle nurodytoms vertėms taikytas 1 m (3,28 pėdos) saugos faktorius.
- 4 Paveiksle laisvojo kritimo aukštis (LKA) pavaizduotas pagal horizontalųjį (H) ir vertikalųjį (V) atstumą tarp nugarinės IĮ jungties ir inkaravimo taško. Kiekviena horizontali tinklelio linija grafik(uos)e rodo vertikalų atstumą nuo inkaravimo taško. Kiekviena vertikali tinklelio linija grafik(uos)e rodo horizontalų atstumą nuo inkaravimo taško. Laisvojo kritimo aukščio (LKA) vertę rodo zona (parabolinės linijos), kurioje susikerta horizontalios (H) ir vertikalios (V) tinklelio linijos. 4 paveiksle pateiktas pavyzdys, kaip nustatyti reikiamą laisvojo kritimo aukščio (LKA) vertę pagal pateiktą vertikalųjį (V) ir horizontalųjį (H) atstumus.
- Kintamieji inkaravimo taškai:** Laisvojo kritimo aukščio vertės 4 paveiksle skirtos standžiam ir nejudamam inkaravimo taškui. Jeigu inkaruojama prie horizontalios gelbėjimo virvės (HGV) arba inkaravimo taškas kritimo metu gali judėti, slysti arba deformuotis, 4 paveiksle nurodytos vertės netinka. Papildomos informacijos dėl reikiamo laisvojo kritimo aukščio, nukrypimo ir (arba) deformacijos žr. HGV instrukcijoje.
- Klūpėjimas arba ropojimas:** Laisvojo aukščio grafikai 4 paveiksle skirti stovinčiam darbuotojui. Jeigu darbuotojas dirba klūpodamas arba ropodamas, būtinas papildomas 0,9 m (3 pėdų) laisvasis kritimo aukštis.
- Niekada neinkaruokite žemiau pėdų:** Niekada nejunkite prie žemiau pėdų esančio inkaravimo taško.
- Pavojai:** Naudojantis šia įranga vietose, kur yra aplinkinių pavojų, gali reikėti imtis papildomų atsargumo priemonių naudotojo susižalojimui arba įrangos pažeidimui išvengti. Tokie pavojai gali būti šie ir kiti: didelis karštis, edrios cheminės medžiagos, korozinė aplinka, aukštos įtampos elektros linijos, sprogios arba toksiškos dujos, judančios mašinos ir medžiagos virš galvos, kurios gali nukristi ir pataikyti į naudotoją arba kritimo stabdymo sistemą. Nedirbkite ten, kur gelbėjimo virvė gali susikryžiuoti arba susipainioti su kito darbuotojo įranga. Nedirbkite ten, kur daiktai gali kristi ir pataikyti į gelbėjimo virvę ir taip pargriauti žmogų arba pažeisti virvę. Gelbėjimo virvė negali eiti po rankomis arba tarp kojų.
 - Aštrios briaunos:** Aštrių briaunų, prie kurių kritimo metu gali liestis IĮ gelbėjimo virvė, spindulys turi būti ne mažesnis kaip 0,3 cm (0,125 colio). Jeigu sąlyčio su aštria briauna išvengti neįmanoma, uždenkite kraštą apsaugine medžiaga.

2.0 Sistemos naudojimas

¹ **Laisvasis kritimas:** Jeigu IĮ naudojamasi tinkamai, naudotojas dirba tiesiai po inkaravimo tašku, o gelbėjimo virvė neatsipalaidavusi, laisvojo kritimo nebūna. Priimtinos inkaravimo vietos pavaizduotos 4 paveiksle.

- 2.1 APSAUGOS NUO KRITIMO IR GELBĖJIMO PLANAS:** Darbdavys turi turėti Apsaugos nuo kritimo ir gelbėjimo planą. Plane turi būti pateiktos gairės ir reikalavimai pagal darbdavio parengtą apsaugos nuo kritimo programą, įskaitant taisykles, pareigas ir parengimą; apsaugos nuo kritimo procedūras; kritimo pavojų pašalinimą ir kontrolę; gelbėjimo procedūras; nelaimingų atsitikimų tyrimus ir programos veiksmingumo įvertinimą.
- 2.2 TIKRINIMO DAŽNUMAS:** Prieš kiekvieną naudojimą IĮ turi patikrinti įgaliotas asmuo¹ arba gelbėtojas² (žr. 3 lentelę). Be to, patikrinimą turi būti atlikti kompetentingas asmuo³, ne naudotojas. Esant sunkioms darbo sąlygomis (nepalanki aplinka, ilgalaikis naudojimas ir kt.) kompetentingam asmeniui gali reikėti tikrinti dažniau. Kompetentingas asmuo pagal *Tikrinimo tvarkaraštį* (2 lentelė) turi nustatyti tikrinimo intervalus. Patikros procedūros aprašytos „Tikrinimo ir techninės priežiūros žurnale“ (3 lentelė). Kompetentingo asmens patikros rezultatai turi būti įrašyti į „Tikrinimo ir priežiūros žurnalą“ arba įrašyti į radijo dažnio identifikavimo (angl. Radio Frequency Identification, RFID) sistemą (žr. 5 skyrių).
- 2.3 NORMALUS NAUDOJIMAS:** Normaliai naudojant, kai darbuotojas juda įprastu greičiu, gelbėjimo virvė gali laisvai išsitraukti ir susitraukti be pasipriešinimo ir neatsipalaiduodama. Jeigu imama kristi, suveikia į greitį reaguojanti stabdymo sistema, kuri sustabdo kritimą ir sugeria didžiąją dalį išsiskyrusios energijos. Normaliai dirbant reikia vengti staigių arba greitų judesių, nes IĮ gali užsiblokuoti. Kai krentama gelbėjimo virvei išsivyniojus beveik iki galo, suveikia gelbėjimo virvės atsargos sistema arba energijos sugėriklis, sumažinantys kritimo stabdymo jėgas.
- 2.4 KŪNO IŠLAIKYMAS:** Su įtraukiamuoju įtaisais turi būti naudojamos viso kūno apraišos. Apraišų pritvirtinimo vieta turi būti virš naudotojo svorio centro. Su įtraukiamuoju įtaisais draudžiama naudoti kūno diržą. Jeigu krintama susijuosus kūno diržu, jis gali netikėtai atsilaisvinti ir (arba) sužaloti dėl netinkamo kūno laikymo.
- 2.5 KOMPONENTŲ SUDERINAMUMAS:** Jeigu kitaip nenurodyta, „3M“ įranga yra skirta naudoti tik su „3M“ patvirtintais komponentais ir posistemėmis. Pakaitalai naudojant nepatvirtintus komponentus ar posistemas gali pakenkti įrangos suderinamumui ir sumažinti visos sistemos saugą ir patikimumą.
- 2.6 JUNGČIŲ SUDERINAMUMAS:** Jungtys laikomos suderinamomis su jungiamaisiais elementais, jeigu jie sukonstruoti naudoti vieni su kitais, tad jų dydis ir forma tokia, jog jų fiksavimo mechanizmai negalėtų netyčia atsidaryti, kad ir kokia kryptimi pasisuktų. Jeigu turite klausimų dėl suderinamumo, kreipkitės į „3M“. Jungtys (kabliai, karabinai ir jungiamieji žiedai) turi atlaikyti ne mažesnę kaip 22,2 kN (5 000 sv.) apkrovą. Jungtys turi būti suderinamos su inkaravimo ir kitais sistemos komponentais. Nenaudokite nesuderinamos įrangos. Nesuderinamos jungtys gali netyčia atsikabinti (žr. 5 paveikslą). Jungtys turi būti suderinamos dydžio, formos ir tvirtumo požiūriu. Kabliai su saugikliais ir karabinai turi būti savaimė užsifiksuojantys. Jeigu jungiamasis elementas, prie kurio tvirtinamas karabininis kablys arba karabinas, yra per mažas arba netinkamos formos, gali susidaryti sąlygos, kai jungiamasis elementas spaudžia karabininio kablio arba karabino fiksatorių (A). Ši jėga gali atidaryti fiksatorių (B), todėl karabininis kablys arba karabinas atsikabintų nuo jungimosi vietos (C).
- 2.7 SUJUNGIMAS:** Su šia įranga naudojami karabininiai kabliai ir karabinai turi būti užsifiksuojantieji. Pasirūpinkite, kad jungtys būtų suderinamos dydžio, formos ir tvirtumo požiūriu. Nenaudokite nesuderinamos įrangos. Pasirūpinkite, kad visos jungtys būtų iki galo uždarytos ir užfiksuotos. „3M“ jungtys (karabininiai kabliai ir karabinai) skirti naudoti tik kaip nurodyta kiekvieno gaminio naudotojo instrukcijose. Netinkamų jungčių pavyzdžiai parodyti 6 paveiksle.

Nejunkite karabininių kablių ir karabinių toliau išvardytais būdais:

- Prie jungiamojo žiedo, prie kurio jau prijungta kita jungtis.
- Taip, kad fiksatorius būtų veikiamas apkrovos. Plačiai atsiveriantys karabininiai kabliai neturi būti jungiami prie standartinio dydžio jungiamųjų žiedų ar panašių komponentų, dėl kurių angą veiktų apkrova arba jungiamasis žiedas būtų sukamas, nebent karabininio kablio užraktas atlaiko 16 kN (3 600 sv.).
- Netinkamai susikabinus, kai tarpusavyje jungiamų jungčių dydis ar forma nesuderinami, jeigu nėra gerai apžiūrima, jie gali atrodyti tinkamai susikabinę.
- Vieno su kitu.
- Tiesiogiai su diržiniu arba lyniniu kobiniu arba prieraišu (nebent apraišos ir jungties gamintojo instrukcijose konkrečiai leidžiama taip jungti).
- Prie daikto, kurio forma ar matmenys tokie, kad karabininis kablys arba karabinas neužsidaro ir neužsifiksuoja arba jungiamas elementas gali išslįsti.
- Tokiu būdu, kad apkrovos veikiamą jungtį negali užimti tinkamos padėties.

2 lentelė. Tikrinimo tvarkaraštis

Naudojimo pobūdis	Naudojimo pavyzdžiai	Naudojimo sąlygos	Tikrinimo dažnumas
			Kompetentingasis asmuo
Nedažnai arba retai	Gelbėjimas ir uždara erdvė, gamyklų techninė priežiūra	Geros laikymo sąlygos, naudojimas viduje arba tik retai lauke, patalpos temperatūra, švari aplinka	Kartą per metus
Vidutiniškai arba dažnai	Transportas, gyvenamoji statyba, komunalinės paslaugos, sandėliai	Prastos laikymo sąlygos, naudojimas viduje ir dažnai lauke, įvairi temperatūra, švari arba dulkių aplinka	Nuo karto per pusmetį iki karto per metus
Labai dažnas arba nuolatinis	Komeracinė statyba, naftos ir dujų pramonė, kasyba	Nepalankios laikymo sąlygos, ilgalaikis arba nuolatinis naudojimas lauke, įvairi temperatūra, nešvari aplinka	Nuo karto per ketvirtį iki karto per pusmetį

1 Įgaliotasis asmuo: Tai asmuo, darbdavio paskirtas eiti pareigas vietoje, kurioje asmenims kyla kritimo pavojus.

2 Gelbėtojas: Asmuo ar asmenys, kurie nėra gelbėjami asmenys, vykdančys gelbėjimo darbus naudodamiesi gelbėjimo sistema.

3 Kompetentingas asmuo: Tai asmuo, darbdavio paskirtas atsakingu už tiesioginę darbdavio parengtos apsaugos nuo kritimo programos priežiūrą, įgyvendinimą ir stebėjimą, kuris dėl parengimo ir žinių gali nustatyti, įvertinti ir imtis priemonių dėl esamų arba galimų kritimo pavojų ir kuris turi darbdavio įgaliotąjį nedelsdamas imtis taisomųjų veiksmų tokių pavojų atžvilgiu.

3.0 Įrengimas

3.1 PLANAVIMAS. Prieš pradėdami dirbti suplanuokite savo apsaugos nuo kritimo sistemą. Atsižvelkite į visus veiksnius, kurie gali lemti saugą prieš kritimą, jo metu ir po to. Laikykitės visų 2 skyriuje nustatytų reikalavimų ir apribojimų.

Daugeliu naudojimo atvejų II „Nano-Lok“ galima jungti prie inkarų arba apraišų nugarinio žiedo. Galima bet kuri kryptis, išskyrus 4 skyriuje nurodytą pastabą.

3.2 INKARAVIMAS. 7 paveiksle pavaizduotos įprastos II inkaravimo jungtys. Pasirinkite inkaravimo vietą taip, kad būtų kuo mažesnis laisvojo kritimo atstumas ir supimosi pavojus (žr. 1 skyrių). Pasirinkite tvirtą inkaravimo vietą, galinčią atlaikyti 1 skyriuje nurodytas statines apkrovas. Kai inkaruoti virš galvos neįmanoma, II „Nano-Lok“ galima tvirtinti inkaravimo vietose, kurios yra žemiau naudotojo nugarinio jungiamojo žiedo lygio. Iki 140 kg (310 sv.) sveriantiems naudotojams skirtas inkaravimo taškas negali būti daugiau kaip 1,5 m (5 pėdos) žemiau nugarinio jungiamojo žiedo.

3.3 APRAIŠŲ TVIRTINIMAS. Kai kuriuose II modeliuose yra vieno arba dviejų II apraišų sietuvas, skirtas II tvirtinti prie viso kūno apraišų iškart po nugariniu jungiamuoju žiedu.

Kai kuriose viso kūno apraišose yra Asmeninė II jungtis (AII jungtis), kuria nugarinis jungiamasis žiedas jungiamas su prie apraišų tvirtinamų įtraukiamųjų įtaisų tvirtinimo elementais (8 paveikslas). II galima jungti ir karabinu arba karabininiu kabliu prie apraišų nugarinio žiedo.

- **Vieno II apraišų tvirtinimas.** Kai labai svarbu užtikrinti darbuotojo judumą, II apraišų sietuvą galima naudoti II tvirtinti prie viso kūno apraišų, iškart po nugariniu jungiamuoju žiedu (žr. 9 paveikslą). Tada darbuotoją II kobinio galu galima prijungti prie įvairių inkaravimo vietų, išdėstytų po visą darbų vykdymo zoną, ir nereikia pakartotinai prijungti II. II prijungimas prie viso kūno apraišų naudojant II apraišų sietuvą.
 1. **Apraišų diržų atlaisvinimas.** Traukdami atlaisvinkite juostinius diržus (A) ten, kur jie eina pro nugarinio jungiamojo žiedo (B) apatinę dalį, kol pasidarys pakankamai vietos prakišti II sietuvą tarp juostinių diržų ir jungiamojo žiedo atramos.
 2. **Apraišų sietuvo atidarymas.** Vienu metu paspauskite fiksavimo mygtukus (C) ir ištraukite fiksavimo kaištį (D).
 3. **II prijungimas prie apraišų sietuvo.** Įkiškite atvirą apraišų sietuvo jungtį į II sukamąją kilpą (E). Prakiškite sietuvą pro sukamąsias kilpas taip, kad II kabėtų apraišų sietuvo gale (F).
 4. **Juostinių diržų apkabinimas apraišų sietuvu.** Apraišų sietuvo fiksatoriaus angą užmaukite ant laisvų juostinių diržų galų (A).
 5. **Apraišų sietuvo uždarymas.** Spauskite apraišų sietuvo fiksavimo kaištį (D) per laisvus juostinius diržus (A), iki jis užsifiksuos priešingoje apraišų sietuvo pusėje. Vėl įtraukite diržus pro nugarinį jungiamąjį žiedą ir nugaros atramą, kad apraišų sietuvas būtų prispaustas.

Kai apraišų sietuvas atfiksotas, jo fiksavimo kaiščio galvutės gale matyti raudona juostelė. Kad jungtis netyčia neatsilaisvintų, prieš naudodamiesi prie II pritvirtintomis apraišomis visada patikrinkite, kad apraišų sietuvas užfiksotas. To nepadarius galima susižaloti arba žūti.

- **Dviejų II apraišų tvirtinimas.** Kai laipiojama aukštai ir būtinas šimtaprocentinis prisitvirtinimas, II apraišų sietuvu galima tvirtinti du II, vieną šalia kito, prie viso kūno apraišų, iškart po nugariniu jungiamuoju žiedu (žr. 9 paveikslą). Dviejų II tvirtinimas prie viso kūno apraišų, naudojant II apraišų sietuvą.
 1. **Apraišų diržų atlaisvinimas.** Traukdami atlaisvinkite juostinius diržus (A) ten, kur jie eina pro nugarinio jungiamojo žiedo (B) apatinę dalį, kol pasidarys pakankamai vietos prakišti II sietuvą tarp juostinių diržų ir jungiamojo žiedo atramos.
 2. **Apraišų sietuvo atidarymas.** Vienu metu paspauskite fiksavimo mygtukus (C) ir ištraukite fiksavimo kaištį (D).
 3. **II prijungimas prie apraišų sietuvo.** Kiekviename II (E), prakiškite atvirą apraišų sietuvo jungtį per II sukamąją kilpą (E). Prakiškite sietuvą pro sukamąsias kilpas taip, kad II kabėtų apraišų sietuvo gale (F).
 4. **Juostinių diržų apkabinimas apraišų sietuvu.** Apraišų sietuvo fiksatoriaus angą užmaukite ant laisvų juostinių diržų galų (A).
 5. **Apraišų sietuvo uždarymas.** Spauskite apraišų sietuvo fiksavimo kaištį (D) per laisvus juostinius diržus (A), iki jis užsifiksuos priešingoje apraišų sietuvo pusėje. Vėl įtraukite diržus pro nugarinį jungiamąjį žiedą ir nugaros atramą, kad apraišų sietuvas būtų prispaustas.

Kai apraišų sietuvas atfiksotas, jo fiksavimo kaiščio galvutės gale matyti raudona juostelė. Kad jungtis netyčia neatsilaisvintų, prieš naudodamiesi prie II pritvirtintomis apraišomis visada patikrinkite, kad apraišų sietuvas užfiksotas. To nepadarius galima susižaloti arba žūti.

- **Dviejų IĮ fiksuoto jungiamojo žiedo tvirtinimas.** Senesnio modelio viso kūno apraišoms „ExoFit“ su fiksuotu jungiamuoju žiedu reikia specialaus IĮ apraišų sietuvo dviem IĮ pritvirtinti prie apraišų po nugariniu jungiamuoju žiedu. Dviejų IĮ prijungimas prie viso kūno apraišų „ExoFit“, naudojant IĮ apraišų fiksuoto jungiamojo žiedo sietuvą (10 paveikslas).
 1. **Apraišų diržų atlaisvinimas.** Traukdami atlaisvinkite juostinius diržus (A) ten, kur jie eina pro nugarinio jungiamojo žiedo (B) apatinę dalį, kol pasidarys pakankamai vietos prakišti dviejų IĮ sietuvą tarp juostinių diržų ir nugaros atramos.
 2. **Apraišų sietuvo atidarymas.** IĮ apraišų sietuvui esant parodytoje padėtyje, pastumkite fiksavimo movą (C) į dešinę ir pasukite laikrodžio rodyklės judėjimo kryptimi, kad atsifikuotų fiksatorius (D). Nulenkite fiksatorių (D) žemyn angai atidaryti.
 3. **Pirmojo IĮ užmovimas ant apraišų sietuvo.** Prakiškite jungties atvirąjį galą (E) pro IĮ sukamąją kilpą (F) ir nustumkite IĮ link jungties fiksatoriaus galo (H). Fiksatorių galima uždaryti, kad tarp jungties fiksatoriaus ir nugarėlės susidarytų tarpas sukamajai kilpai pralįsti.
 4. **Juostinių diržų apkabinimas apraišų sietuvu.** Užkiškite jungties atvirąjį galą (E) už juostinių diržų (A). Apsukite jungtį aplink juostinius diržus, kad ji juos apkabintų.
 5. **Antrojo IĮ pritvirtinimas prie apraišų sietuvo.** Užmaukite IĮ sukamąją kilpą (F) ant jungties atvirojo galą (E) ir nustumkite ją į galinę padėtį.
 6. **Apraišų sietuvo uždarymas.** Leiskite fiksatoriui (D) užsidaryti ir fiksavimo movai (C) pasisukti atgal į fiksavimo padėtį. Uždarę apraišų sietuvą, prakiškite juostinius diržus (A) atgal pro nugarinį jungiamąjį žiedą, kad jie būtų įtempti ir prispaustų apraišų sietuvą tarp dirželių ir nugaros atramos.
- **„3M® DBI-SALA®“ „Twin Carabiner“.** „3M® DBI-SALA®“ „Twin Carabiner“ skirtas tvirtinti du „Nano-Lok“ IĮ, vieną šalia kito, viso kūno apraišų galinėje pusėje, iškart po nugariniu jungiamuoju žiedu (žr. 12 paveikslą). Dviejų „Nano-Lok“ IĮ tvirtinimas prie viso kūno apraišų naudojant „Twin Carabiner“.
 1. **Apraišų diržų atlaisvinimas.** Traukdami atlaisvinkite juostinius diržus (A) ten, kur jie eina pro nugarinio jungiamojo žiedo (B) apatinę dalį, kol pasidarys pakankamai vietos prakišti dviejų kojelių sietuvą tarp juostinių diržų ir jungiamojo žiedo atramos.
 2. **Karabino „Twin Carabiner“ atidarymas.** Stumtelėkite aukštyn jungties plokštelę (C), kad atsilaisvintų jungties užspaudai (D) ir pakelkite plokštelę aukštyn, kad atsifikuotų fiksatorius. Jungčiai atidaryti įspauskite fiksatorių į vidų (E).
 3. **Pirmojo „Nano-Lok“ IĮ pravėrimas pro karabiną „Twin Carabiner“.** Prakiškite jungties atvirąjį galą (F) pro IĮ sukamąją kilpą (G) ir pasukite IĮ aplink jungties fiksatoriaus galo (H). Fiksatorių galima atlenkti atgal prie atvirojo galo, kad tarp jungties fiksatoriaus ir nugarėlės susidarytų tarpas sukamajai kilpai pralįsti.
 4. **„Twin Carabiner“ užmovimas ant juostinių diržų.** Į viršų pakreipę fiksatorių, užkiškite jungties atvirąjį galą (F) už juostinių diržų (A). Apsukite jungtį aplink juostinius diržus, kad ji juos apkabintų.
 5. **Antrojo „Nano-Lok“ IĮ užmovimas ant karabino „Twin Carabiner“.** Užmaukite IĮ sukamąją kilpą (G) ant jungties atvirojo galo (F) ir nustumkite ją į galinę padėtį (I). Uždarykite fiksatorių (E).
 6. **„Twin Carabiner“ uždarymas.** Pasukite jungties plokštelę (C) į priekį, kad užspaudai (D) užblokuotų jungtį. Tinkamai uždarius, juostiniai diržai turi eiti per jungties plokštelės viršuje esančią diržų angą (J), o IĮ sukamosios kilpos turi būti uždarytos abiejose jungties įdėklo pusėse esančiose įdubose (K). Uždarę apraišų sietuvą, prakiškite juostinius diržus (A) atgal pro nugarinį jungiamąjį žiedą ir jo atramą, kad jie būtų įtempti ir prispaustų jungtį tarp dirželių ir jungiamojo žiedo atramos.
- **„3M® DBI-SALA®“ „Twin Pin Carabiner“.** Šiuo apraišų priedu galima naudotis norint laipiojimo veiklai paruošti ir prijungti vieną arba du „Nano-Lok“ IĮ (žr. 11 paveikslą), kai būtinas šimtaprocentinis prisitvirtinimas.
 1. **Apraišų diržų atlaisvinimas.** Traukdami atlaisvinkite juostinius diržus (A) ten, kur jie eina pro nugarinio jungiamojo žiedo (B) apatinę dalį, kol pasidarys pakankamai vietos prakišti dviejų kojelių sietuvą tarp juostinių diržų ir jungiamojo žiedo atramos.
 2. **Vieno įtaiso konfigūracija.** Įstatykite vieno IĮ sukamąją kilpą į centrinę atvirą vietą.
 3. **Dviejų įtaisų konfigūracija.** Įstatykite vieno IĮ sukamąją kilpą į atvirą vietą, esančią arčiausiai kaiščio, o kitą IĮ sukamąją kilpą į atvirą vietą, esančią toliausiai nuo kaiščio.
 4. Įkiškite kaištį atgal į vietą; turite išgirsti spragtelėjimą. Kaištis turi būti tvirtai laikytis vietoje.
 5. Paspauskite iškart du jungties mygtukus, esančius apraišų pusėje, ir ištraukite kaištį. Ištraukus kaištį, atsiras atviras tarpas.
 6. Ištraukite šiek tiek laisvo diržo tiesiai po Jūsų apraišų nugariniu jungiamuoju žiedu. Perkelkite jungties apraišų pusę po jungiamuoju žiedu.
 7. Įstumkite kaištį atgal ir žiūrėkite, kad kaištis išliktų po abiem apraišų diržų sluoksniais. Kaištis turi būti tvirtai laikytis vietoje.

4.0 NAUDOJIMAS

Pirmą kartą arba retai naudojantys įtraukiamuosius įtaisus (IĮ), prieš naudodamiesi IĮ, turėtų perskaityti šios instrukcijos pradžioje pateiktą saugos informaciją.

- 4.1 PRIEŠ KIEKVIENĄ NAUDOJIMĄ.** Prieš kiekvieną šios apsaugos nuo kritimo įrangos naudojimą reikia stropiai patikrinti, ar ji yra tinkamos naudoti būklės. Patikrinkite, ar nėra susidėvėjusių ar pažeistų dalių. Patikrinkite, ar yra ir ar pritvirtinti visi varžtai. Patikrinkite, ar gelbėjimo virvė tinkamai įsitraukia: patraukite ir leiskite jai lėtai įsitraukti. Jeigu yra nors kažkoks pasipriešinimas įtraukimui, įrenginiu reikia nustoti naudotis ir sunaikinti. Patikrinkite, ar ant gelbėjimo virvės nėra įplovų, apspurijimo, nudegimų, suspaudimų ir korozijos. Patikrinkite fiksavimo funkciją staigiai patraukdami virvę. Patikrinimas išsamiau aprašytas „Tikrinimo ir priežiūros žurnale“ (3 lentelė). Jeigu tikrinant aptinkama nesaugi būklė, nenaudokite įrangos.

- 4.2 PO KRITIMO.** Visa įranga, kurią paveikė stabdymo jėgos arba kuri patyrė panašius į tai pažeidimus, kaip aprašyta 3 lentelėje, turi būti nedelsiant nustota naudoti ir sunaikinta.
- 4.3 KŪNO ATRAMA.** Naudojantis II būtina dėvėti viso kūno apraišas. Naudodami bendrajai apsaugai prijunkite prie nugarinio jungiamojo žiedo.
- 4.4 SUJUNGIMAS.** 5 paveiksle pavaizduotos II kritimo stabdymo sistemų apraišų ir inkaravimo jungtys. Kai jungčiai naudojate kablį, įsitinkinkite, kad iš jo neįmanoma išslysti (žr. 5 paveikslą). Nenaudokite kablų ar jungčių, kurios ne iki galo užsidaro ant tvirtinimo elemento. Nenaudokite nesifiksuojančių karabininių kablų. Inkarai turi atitikti 2 lentelėje nurodytus inkarų stiprumo reikalavimus. Laikykitės gamintojo nurodymų dėl kiekvieno sistemos komponento.
- 4.5 NAUDOJIMAS.** Prieš naudodami patikrinkite II kaip aprašyta 3 lentelėje. 14 paveiksle pavaizduotos tipinės II sistemos jungtys. Pritvirtinkite II prie tinkamo inkaro arba viso kūno apraišų nugarinės dalies pagal 3 skyriaus nurodymus. Kai II tvirtinami prie inkaro, kablį (D) arba apkrovos indikatorius karabiną užkabinkite ant viso kūno apraišų nugarinio jungiamojo žiedo (A). Kai II tvirtinamas prie apraišų, prijunkite kablį (D) arba karabiną prie tinkamo inkaro. Žiūrėkite, kad jungtys būtų tinkamo dydžio, formos ir tvirtumo. Patikrinkite, kad kabliai būtų visiškai uždaryti ir užfiksuoti. Prisitvirtinęs darbuotojas gali laisvai judėti po rekomenduojamą darbo zoną normaliu greičiu. Jeigu jis imtų kristi, II užsifiksuos ir sustabdys kritimą. Išgelbėjus žmogų, II nebenaudojamas. Dirbdami su II visada leiskite gelbėjimo virvei įsitraukti į įtaisą kontroliuojamai.
- 4.6 DVIĞUBO II SIETUVO ŠIMTAPROCENTINIS PRISITVIRTINIMAS.** Kai viso kūno apraišų galinės dalies greta vienas kito jungiami du II, nuolatinei apsaugai nuo kritimo (šimtaprocentiniam prisitvirtinimui) lipant aukštyn, žemyn arba judant horizontaliai (žr. 15 paveikslą) galima naudoti II kritimo stabdymo sistemą. Vieną II kobinio atšaką pritvirtinęs prie inkaravimo vietos darbuotojas gali pereiti į kitą vietą, pritvirtinti laisvąją kobinio atšaką prie kitos inkaravimo vietos ir tada atsikabinti nuo pirmosios. Seka kartojama, kol darbuotojas pasiekia norimą vietą. Dviejų II šimtaprocentinio prisitvirtinimo įrangos naudojimo taisyklės:
- Niekada nejunkite abiejų II kobinių prie to paties inkaravimo taško (žr. 16A paveikslą).
 - Jungiant daugiau kaip vieną jungtį prie vieno inkaro (žiedo arba kilpos) galima susilpninti sujungimą dėl jungčių tarpusavio sąveikos, todėl to nerekomenduojama daryti.
 - Kiekvieną II kobinį galima jungti prie atskiro inkaravimo taško (žr. 16B paveikslą).
 - Kiekviena jungties vieta turi pati atlaikyti 10 kN (2 248 sv.) arba būti suprojektuota sistema, kaip pvz., horizontali gelbėjimo virvė.
 - Prie dvigubos II sistemos niekada nejunkite daugiau kaip vieno žmogaus (žr. 16C paveikslą).
 - Neleiskite kobiniams susipainioti arba susisukti, nes tuomet jie gali neįsitraukti.
 - Naudojimosi metu jokie kobiniai negali eiti po rankomis arba tarp kojų.
- 4.7 DVIEJŲ II NUGARINIO JUNGIAMOJO ŽIEDO TVIRTINIMAS.** Modeliai su trijų funkcijų karabinu gali būti tvirtinami prie nugarinio jungiamojo žiedo dviejų įtaisų konfigūracija. Dviejų II tvirtinimas prie apraišų nugarinio jungiamojo žiedo (žr. 13 pav.).
- 1. Trijų funkcijų karabino atidarymas.** Nukreipę trijų funkcijų karabiną taip, kaip parodyta paveiksle, paspauskite fiksavimo movą (C) į dešinę, o tada pasukite laikrodžio rodyklės kryptimi, kad atsifikuotų fiksatorius (D). Nulenkite fiksatorių (D) žemyn angai atidaryti.
 - 2. Pirmojo II įvėrimas pro trijų funkcijų karabiną.** Prakiškite jungties atvirąją galą (E) pro II sukamąją kilpą (F) ir apsukite II aplink jungties fiksatoriaus galą (G). Fiksatorių galima uždaryti, kad tarp jungties fiksatoriaus ir nugarėlės sudarytų tarpas sukamajai kilpai pralįsti.
 - 3. Antrojo II tvirtinimas prie trijų funkcijų karabino.** Užmaukite II sukamąją kilpą (F) ant atvirojo jungties galo (E).
 - 4. Trijų funkcijų karabino įvėrimas pro jungiamąjį žiedą.** Prakiškite atvirąją jungties galą (E) pro nugarinį jungiamąjį žiedą (A). Pasukite jungtį per jungiamąjį žiedą tiek, kad fiksatorių galima būtų uždaryti.
 - 5. Trijų funkcijų karabino uždarymas.** Leiskite fiksatoriui (D) užsidaryti ir fiksavimo movai (C) pasisukti atgal į fiksavimo padėtį.
- 4.8 HORIZONTALIOSIOS SISTEMOS.** Tais atvejais, kai II naudojamas su horizontaliosiomis sistemomis (pvz., horizontaliaja gelbėjimo virve, horizontalių tėjinių sijų vežimėliu), II ir horizontaliosios sistemos komponentai turi būti suderinami. Horizontaliosios sistemos turi būti suprojektuotos ir įrengtos prižiūrint kvalifikuotam inžinieriui. Išsamiau aprašyta horizontaliųjų sistemų įrangos gamintojo instrukcijoje.

4 paveiksle nurodytos laisvojo kritimo aukščio vertės skirtos inkaruojant prie standaus nejudamo inkaro ir netinka inkaruojant prie horizontaliosios gelbėjimo virvės (HGV) sistemos. Reikiamą laisvąjį kritimo aukštį nustatykite pagal HGV instrukciją arba teiraukitės HGV įrengėjo.

5.0 Patikrinimas

- 5.1 RFID KORTELĖ.** Įtraukiamajame įtaise yra radijo dažnio identifikavimo (RFID) kortelė (žr. 17 paveikslą). RFID kortelę galima nuskaityti rankiniu „i-Safe™“ skaitytuvu ir perkelti duomenis į interneto portalą, kad būtų lengviau atlikti patikrinimą, kontroliuoti inventorių ir pateikti Jūsų apsaugos nuo kritimo įrangos duomenis. Išsamiau teiraukitės „3M“ klientų tarnybos atstovo (žr. informaciją nugarėlėje). Laikykitės Jūsų rankinio skaitytuvo arba interneto portale pateiktų instrukcijų, kaip perkelti Jūsų duomenis į interneto žurnalą.

5.2 TIKRINIMO DAŽNUMAS. Įtraukiamasis įtaisas turi būti tikrinamas 2 skyriuje nurodytais intervalais. Tikrinimo procedūros aprašytos „Tikrinimo ir techninės priežiūros žurnale“ (3 lentelė).

Sunkiomis darbo sąlygomis (nepalanki aplinka, ilgalaikis naudojimas ir kt.) gali tekti tikrinti dažniau (žr. 2 lentelę).

5.3 NESAUGI BŪKLĖ ARBA DEFEKTAI: Jeigu patikrinus aptinkama nesaugi būklė ar defektų, nedelsdami nustokite naudotis ir pašalinkite jį (žr. 6 skyrių).

Šią įrangą gali taisyti tik „3M“ arba raštu įgalioti subjektai.

5.4 GAMINIO NAUDOJIMO TRUKMĖ. „3M“ įtraukiamųjų įtaisų funkcinis naudojimo laikas priklauso nuo darbo sąlygų ir priežiūros. Jeigu gaminys atitinka patikros kriterijus, juo galima naudotis (kol nepasiekiamas leidžiama naudojimo trukmė). Įį ir austines diržines gelbėjimo virves galima eksploatuoti ne ilgiau kaip 10 metų, skaičiuojant nuo pagaminimo datos.

6.0 TECHNINĖ PRIEŽIŪRA, REMONTAS IR LAIKYMAS

6.1 VALYMAS. Toliau pateiktos Įį valymo procedūros.

- Reguliariai plaukite Įį išorę vandens ir švelnaus muilo tirpalu. Įį laikykite taip, kad vandens perteklius galėtų nubėgti. Jei reikia, nuvalykite etiketes.
- Diržinę gelbėjimo virvę plaukite vandens ir švelnaus muilo tirpalu. Nuplaukite ir stropiai išdžiovinkite ore. Nedžiovinkite karščiu. Gelbėjimo virvė turi išdžiūti prieš ją įtraukiant į korpusą. Prisikaupus per daug purvo, dažų ir kt. gelbėjimo virvė gali ne iki galo ištraukti į korpusą ir sukelti laisvojo kritimo pavojų.

6.2 PRIEŽIŪRA Įį NEGALIMA REMONTUOTI. Jeigu Įį patyrė kritimo jėgas arba patikrinus aptinkama nesaugi būklė ar defektų, nebesinaudokite Įį ir išmeskite jį (žr. „Pašalinimas“).

6.3 LAIKYMAS IR TRANSPORTAVIMAS. Įį laikykite ir vežkite vėsioje, sausoje, švarioje aplinkoje, kur nepasiekia tiesioginė saulės šviesa. Venkite vietų, kur galėtų būti cheminių medžiagų garų. Po bet kokio ilgesnio laikymo laikotarpio atidžiai patikrinkite Įį.

6.4 PAŠALINIMAS. Jeigu Įį patyrė kritimo stabdymo jėgas arba tikrinant aptinkama nesaugi būklė ar defektai, pašalinkite jį. Prieš pašalindami Įį perpjaukite gelbėjimo virvę pusiau ar kitaip padarykite Įį netinkamą naudoti, kad juo nebegalėtų būti pasinaudota netyčia.

7.0 Etiketės

22 paveiksle pavaizduotos įtraukiamųjų įtaisų etiketės ir jų vietos. Ant Įį turi būti visos etiketės. Jeigu etiketės ne visiškai įskaitomos, jas būtina pakeisti. Etiketėse pateikiamų piktogramų reikšmės.

1	Patikrinkite karabininį kablį ir smūgio indikatorius
2	Patikrinkite Įį fiksavimo funkciją
3	Tinkamas Įį prijungimo prie apraišų būdas.
4	Nesertifikuota naudotis liečiant aštrias briaunas. Gali būti jungiama prie inkaro virš, žemiau arba ties nugariniu jungiamuoju žiedu (iki 140 kg).
5	Naudojimo temperatūros intervalas: nuo -40 °C iki +60 °C
6	Maksimali laikomoji galia – 140 kg.
7	Visada leiskite kontroliuojamai gelbėjimo virvei ištraukti atgal į Įį.
8	Draudžiama taisyti
9	Įį laikykite vėsioje, sausoje, švarioje aplinkoje, kur nepasiekia tiesioginė saulės šviesa.
10	Neapkraukite, kai liečiasi prie briaunos
11	Nepašalinkite etiketės

3 lentelė. Tikrinimo ir priežiūros žurnalas

Serijos numeris (-iai):		Įsigijimo data:	
Modelio numeris:		Naudojimo pradžios data:	
Tikrinimo data:		Tikrino:	
Komponentas	Tikrinimas. <i>(Tikrinimo intervalai nurodyti 2 skyriuje)</i>	Išlaikė	Neišlaikė
II (18 paveikslas)	Patikrinkite, ar nėra atsipalaidavusių jungčių ir sulinkusių ar pažeistų dalių.	<input type="checkbox"/>	<input type="checkbox"/>
	Patikrinkite, ar korpusas (A) nesulankstytas, neturi įtrūkių ar kitų pažeidimų.	<input type="checkbox"/>	<input type="checkbox"/>
	Patikrinkite, ar sukutis (B), sukamoji kilpa (C) arba vidinė jungtis (D) nėra sulankstyti, įtrūkė ar kitaip pažeisti. Sukutis turi būti patikimai pritvirtintas prie II, bet laisvai sukotis. Sukamoji kilpa arba vidinė jungtis turi laisvai sukotis sukutyje.	<input type="checkbox"/>	<input type="checkbox"/>
	Gelbėjimo diržas (E) turi laisvai išsitraukti ir įsitraukti iki galo, niekada neatsipalaiduodamas.	<input type="checkbox"/>	<input type="checkbox"/>
	Įsitikinkite, kad, staiga patraukus gelbėjimo virvę, II užsifiksuoja. Fiksatorius turi laikyti tvirtai, neleisti slysti.	<input type="checkbox"/>	<input type="checkbox"/>
	Visos etiketės turi būti vietoje ir visiškai įskaitomos (žr. 20 paveikslą).	<input type="checkbox"/>	<input type="checkbox"/>
	Patikrinkite visą II, ar nėra korozijos požymių.	<input type="checkbox"/>	<input type="checkbox"/>
Galinės jungtys (19 paveikslas)	2 lentelėje nurodytos galinės jungtys, kurios turi būti Jūsų II „Nano-Lok“ modelyje. Patikrinkite visus karabininius kablius, karabinius, kablius armatūrai, ar nėra pažeidimo, korozijos požymių ir ar jie tinkamos naudoti būklės. Kai yra: Fiksatoriai turi tinkamai atsidaryti, užsidaryti, užsifiksuoti ir atsilaisvinti, o fiksavimo mygtukai ir kaiščiai turi tinkamai veikti.	<input type="checkbox"/>	<input type="checkbox"/>
Diržinė gelbėjimo virvė (20 paveikslas)	Patikrinkite austinę juostą: audinys turi būti be įpjovų (A), apspurijimo (B) ar nutrūkusių gijų. Patikrinkite, ar nėra įtrūkių, nudilimo, didelių nešvarumų (C), supelijimo, apdegimo (D) arba spalvos pakitimo vietų. Patikrinkite siūles, ar nėra ištrauktų arba nutrūkusių siūlų. Sutrūkusios siūlės gali reikšti, kad apraišos yra gavusios smūginę apkrovą ir jomis nebegalima naudotis.	<input type="checkbox"/>	<input type="checkbox"/>
Energijos sugėriklis (21 paveikslas)	Patikrinkite, ar nėra suveikęs integruotasis energijos sugėriklis. Kad energijos sugėriklis suveikė, rodo atviras arba nuplėštas dangtelis (A), iš jo išlindęs diržas, nutrūkęs ar susidėvėjęs diržas (B), nutrauktos siūlės ir pan.	<input type="checkbox"/>	<input type="checkbox"/>
Taisomieji veiksmai / priežiūra:		Patvirtino:	
		Data:	
Taisomieji veiksmai / priežiūra:		Patvirtino:	
		Data:	
Taisomieji veiksmai / priežiūra:		Patvirtino:	
		Data:	
Taisomieji veiksmai / priežiūra:		Patvirtino:	
		Data:	
Taisomieji veiksmai / priežiūra:		Patvirtino:	
		Data:	
Taisomieji veiksmai / priežiūra:		Patvirtino:	
		Data:	
Taisomieji veiksmai / priežiūra:		Patvirtino:	
		Data:	

INFORMĀCIJA PAR DROŠĪBU

Pirms šīs pašievelkošas ierices (SRD) lietošanas, lūdzu, izlasiet, saprotiet un ievērojiet visu šajā instrukcijā sniegto drošības informāciju. **PRETĒJĀ GADĪJUMĀ PASTĀV NOPIETNU SAVAINOJUMU VAI NĀVES RISKS.**

Šī instrukcija obligāti jāizsniedz aprīkojuma lietotājam. Saglabājiet šo instrukciju, lai varētu to izmantot arī turpmāk.

Paredzētais lietojums

Šo pašievelkošo ierīci ir paredzēts izmantot kā daļu no individuālās pretkritiena aizsardzības iekārtas.

Citādu lietojumu: tajā skaitā, bet ne tikai materiālu pārkraušanā, atpūtas vai sporta aktivitātēs vai citās aktivitātēs, kas šajā Lietotāja instrukcijā nav aprakstītas, 3M nav apstiprinājis, un lietošana neparedzētiem nolūkiem var izraisīt smagus savainojumus vai nāvi.

Šī iekārta paredzēta lietošanai darbvietā tikai apmācītiem lietotājiem.

! BRĪDINĀJUMS!

Šī pašievelkošā ierīce ir daļa no individuālās pretkritiena aizsardzības sistēmas. Visiem lietotājiem jābūt pilnībā apmācītiem savas individuālās pretkritiena aizsardzības iekārtas drošā instalēšanā. **Nepareizs šīs iekārtas lietojums var izraisīt smagus savainojumus vai nāvi.** Pareizas izvēles, lietošanas, instalēšanas, uzturēšanas un apkopes nolūkos skatiet šo Lietotāja instrukciju, tostarp visas ražotāja rekomendācijas, konsultējieties ar savu tiešo vadītāju vai sazinieties ar 3M tehnisko dienestu.

- **Lai mazinātu riskus, kas saistīti ar darbu ar SDR un nepienācīgas uzmanības gadījumā var izraisīt smagus savainojumus vai nāvi:**
 - Pirms katras lietošanas pārbaudiet SDR un pārbaudiet, vai bloķēšana un ievilkšana veikta pareizi.
 - Ja pārbaude atklāj nedrošu vai defektīvu stāvokli, izņemiet šo ierīci no lietošanas un labojiet vai nomainiet atbilstoši Norādījumiem lietotājam.
 - Ja SDR bijusi pakļauta kritiena bloķēšanai vai trieciena spēkam, nekavējoties pārtrauciet lietot ierīci un marķējiet kā «NELIETOJAMA».
 - Nodrošiniet, ka drošības trosē ir pilnībā pasargāta no visiem bojājumiem, tajā skaitā, bet ne tikai sapsīšanās ar kustīgām ierīcēm vai iekārtām (piem., naftas platformu augšējās piedziņas sistēmās), citiem strādniekiem, jūs pašā, tuvumā esošiem priekšmetiem vai triecieniem no priekšmetiem, kas var uzkrīt drošības trosē vai strādniekiem.
 - Drošības trosē nekad nedrīkst būt vaļīga. Nekad nepiesieniet vai nesasieniet mezglus drošības trosē.
 - Pievienojiet uz iejūga uzstādītās SRD neizmantoto(-ās) kāju(-as) iejūga novietošanas stiprinājumam(-iem), ja tādi ir.
 - Neizmantojiet situācijās, ja kritiena ceļā ir šķēršļi. Strādājot uz lēni plūstoša materiāla, piemēram, smiltīm vai graudiem, vai ierobežotās vai šaurās vietās, darbiniekam var nerasties pietiekami liels krišanas ātrums, lai izraisītu SRD bloķēšanu. Lai panāktu drošu SRD bloķēšanu, nepieciešams brīvs kritiena ceļš.
 - Izvairieties no pēkšņām vai ātrām kustībām parastā darba gaitā. Tas var izraisīt ierīces bloķēšanos.
 - Nodrošiniet, ka visas pretkritiena aizsardzības sistēmas/apakšsistēmas, kas sastāv no atšķirīga ražojuma elementiem, ir savstarpēji saderīgas un atbilst piemērojamajiem standartiem, ieskaitot ANSI Z359 vai citus piemērojamus pretkritiena aizsardzības kodeksus, standartus vai prasības. Pirms šo sistēmu lietošanas vienmēr konsultējieties ar kompetentu un/vai kvalificētu personālu.
- **Lai mazinātu riskus, kas saistīti ar darbu augstumā un nepienācīgas uzmanības gadījumā var izraisīt smagus savainojumus vai nāvi:**
 - Nodrošiniet, ka jūsu veselības un fiziskais stāvoklis ļauj jums droši izturēt visu ar darbu augstumā saistīto slodzi. Ja jums ir kādi jautājumi par savu spēju šo aprīkojumu lietot, konsultējieties ar savu ārstu.
 - Nekad nepārsniedziet savu kritienu novēršanas ekipējuma veikspēju.
 - Nekad nepārsniedziet savu kritienu novēršanas ekipējuma maksimālo brīvā kritiena distanci.
 - Neizmantojiet nekādu pretkritiena aizsardzības ekipējumu, kas nav izturējis pirmslietošanas vai citas plānotās pārbaudes, vai, ja jums ir bažas par ekipējumu piemērotību vai lietošanu jūsu vajadzībām. Ar visiem jautājumiem vērsieties pie 3M tehniskā dienesta.
 - Dažas apakšsistēmu un elementu kombinācijas var traucēt šī ekipējuma darbību. Lietojiet tikai saderīgus savienojumus. Pirms šī ekipējuma lietošanas savienojumā ar tādiem elementiem vai apakšsistēmām, kas nav aprakstīti šajā Lietotāja instrukcijā, konsultējieties ar 3M.
 - Strādājot kustīgu ierīču tuvumā (piem., naftas platformu augšējās piedziņas sistēmās), apstākljos, kad pastāv elektrības trieciena, pārmērīgu temperatūru, ķīmiskā apdraudējuma, sprāgstvielu vai toksiskas gāzes, asu malu radīts risks, vai zem materiāliem, kas var uzkrīt jums vai jūsu pretkritiena aizsardzības ekipējumam, ievērojiet īpašu piesardzību.
 - Strādājot lielā karstumā, lietojiet Arc Flash vai Hot Works iekārtas.
 - Izvairieties no virsmām un priekšmetiem, kas var kaitēt lietotājam vai ekipējumam.
 - Strādājot augstumā, nodrošiniet pienācīgu kritiena klīrensu.
 - Nekad nepārveidojiet un nepārtaisiet savu pretkritiena aizsardzības ekipējumu. Aprīkojumu labot drīkst tikai 3M vai no 3M rakstisku atļauju saņēmušas personas.
 - Pirms kritiena aizsardzības ekipējuma lietošanas pārliecinieties, ka pastāv spēkā esošs glābšanas plāns, kas kritiena gadījumā ļauj veikt tūlītējus glābšanas darbus.
 - Kritiena gadījumā nekavējoties izsauciet medicīnisko palīdzību kritušā aprūpei.
 - Neizmantojiet ķermeņa jostu kritiena bloķēšanai. Izmantojiet tikai pilnu ķermeņa ekipējumu.
 - Lai pēc iespējas samazinātu svārsta efekta izraisītu kritienu, pēc iespējas strādājiet tieši zem enkurspunkta.
 - Mācoties lietot šo iekārtu, jāizmanto papildu pretkritiena sistēma, lai nepakļautu apmācāmo neparedzēta kritiena riskam.
 - Instalējot, lietojot vai pārbaudot ekipējumu/sistēmu, vienmēr lietojiet atbilstošus individuālās aizsardzības līdzekļus.

Pirms šī aprīkojuma lietošanas pārakstiet izstrādājuma identifikācijas datus no ID etiķetes šīs rokasgrāmatas beigās esošajā "Pārbaudes un apkopes žurnālā".

APRAKSTS.

3M™ DBI-SALA® Nano-Lok pašievelkošo ierīču (SRD) galvenie elementi parādīti 2. attēlā. Nano-Lok SRD ir uz veltņa uztītas nemetāla drošības troses (A) ar enerģijas absorbētāju (B) virknē, kas ievelkas atpakaļ neilona korpusā (C). Šarnīrā pievienots gredzens (D) uz korpusa augšpusē ļauj pievienot derīgu enkurojuma punktu ar karabīni (E) vai uzstādīt uz pilnā ķermeņa iejūga ar iejūga saskarni (F). Pieejamie Nano-Lok modeļi un to savienotāju konfigurācijas parādītas 1. attēlā. Nano-Lok SRD un savienotāju specifikācijas sniegtas 1. tabulā.

1. tabula – Specifikācijas

Elementu specifikācijas.

SRL korpusi	Neilons
Veltnis	Neilons
Iekšējie elementi	Nerūsošais tērauds, alumīnijs
Nemetāla drošības trosē	Dyneema poliesteris
Enerģijas absorbētājs	Apvalks: Nitrila gumija, Audums Poliesteris, Šuve: Poliesterā vai neilona diegs
Šarnīrs	Cinkots tērauds

Savienotāja specifikācijas:

	Apraksts	Materiāls	Aizbīdņa atvēršana	Aizbīdņa izturība	Stiprības robeža
①	Lokanā cilpa	Tērauds	22,35 mm (0,88 collas) iekšējais diametrs	X	22,2 kN (5 000 mārciņas)
②	Karabīne	Alumīnijs	19 mm (3/4 collas)	16 kN (3 600 mārciņas)	22,2 kN (5 000 mārciņas)
③	Karabīne	Tērauds	19 mm (3/4 collas)	16 kN (3 600 mārciņas)	22,2 kN (5 000 mārciņas)
④	Vienas SRD saskarne	Tērauds	51 mm (2 collas)	16 kN (3 600 mārciņas)	22,2 kN (5 000 mārciņas)
⑤	Divu SRD saskarne	Tērauds ar neilona ieliktni	19 mm (3/4 collas)	16 kN (3 600 mārciņas)	22,2 kN (5 000 mārciņas)
⑥	Karabīne	Alumīnijs, tērauds	56 mm (2,19 collas)	16 kN (3 600 mārciņas)	22,2 kN (5 000 mārciņas)
⑦	Karabīne	Alumīnijs	19 mm (3/4 collas)	16 kN (3 600 mārciņas)	22,2 kN (5 000 mārciņas)
⑧	Tērauda āķis	Alumīnijs	57 mm (2-1/4 collas)	16 kN (3 600 mārciņas)	22,2 kN (5 000 mārciņas)
⑨	Tērauda āķis	Alumīnijs	63 mm (2-1/2 collas)	16 kN (3 600 mārciņas)	22,2 kN (5 000 mārciņas)
⑩	Karabīne	Alumīnijs	52 mm (2 collas)	16 kN (3 600 mārciņas)	22,2 kN (5 000 mārciņas)
⑪	Tērauda āķis	Alumīnijs, tērauds	63 mm (2-1/2 collas)	16 kN (3 600 mārciņas)	22,2 kN (5 000 mārciņas)
⑫	Karabīne	Tērauds	19 mm (3/4 collas)	16 kN (3 600 mārciņas)	22,2 kN (5 000 mārciņas)
⑬	Tērauda āķis	Alumīnijs	57 mm (2-1/4 collas)	16 kN (3 600 mārciņas)	22,2 kN (5 000 mārciņas)
⑭	Aizveramais āķis	Tērauds	19 mm (3/4 collas)	16 kN (3 600 mārciņas)	22,2 kN (5 000 mārciņas)

Veiktspējas specifikācijas.

SRL specifikācijas (vertikālās)	CE Modeļi	
	59-100 kg (130-220 mārciņas)	100-140 kg (220-310 mārciņas)
Nestspējas diapazons	59-100 kg (130-220 mārciņas)	100-140 kg (220-310 mārciņas)
Maksimālais bloķēšanas spēks	6 kN (1 350 mārciņas)	6 kN (1 350 mārciņas)
Vidējais bloķēšanas spēks	4 kN (900 mārciņas)	4 kN (900 mārciņas)
Deklarētais maksimālais bloķēšanas attālums¹	0,61 m (24 collas)	0,61 m (24 collas)
Mīnīmālais nepieciešamais kritiena attālums¹	1,5 m (5 pēdas)	1,8 m (5,8 pēdas)
Maksimālais brīvais kritiens²	1,5 m (5 pēdas)	1,5 m (5 pēdas)

1 - Pieņemot, ka SRL ir uzstādīts tieši virs gala lietotāja (virs galvas).

2 - Mērot no lietotāja D gredzena līdz stāvēšanas/darba virsmai. Sīkāku informāciju skatīt Kritiena atstatuma diagrammā(s)

1.0. LIETOŠANAS VEIDI

- 1.1. MĒRĶIS.** Pašielvelkošas ierīces (SRD) ir paredzētas lietošanai kā daļa no personas kritiena bloķēšanas sistēmas (PFAS). Šajā lietošanas rokasgrāmatā iekļautās SRD parādītas 1. attēlā. Tās var lietot vairumā situāciju, kur nepieciešama strādājošā mobilitātes un kritienu aizsardzības kombinācija (t.i., inspekcijas darbos, vispārējos celtniecības darbos, apkopes darbos, naftas ieguvē, darbam šaurā telpā utt.).
- 1.2. STANDARTI JŪSU.** SRD atbilst nacionāliem un reģionāliem standartiem, kas norādīti uz šīs rokasgrāmatas priekšējā vāka. Iepazīstieties ar vietējām, štata un federālajām (OSHA) prasībām, kas nosaka darba drošību, par papildu informāciju personas krišanas aizsardzībai.
- 1.3. APMĀCĪBA.** Šo aprīkojumu ir paredzēts lietot personām, kas apmācītas tā pareizā uzlikšanā un lietošanā. Lietotājs ir atbildīgs par iepazīšanos ar šiem norādījumiem un apmācību par pareizu šī aprīkojuma aprūpi un lietošanu. Lietotājiem jāzina darba raksturojums, izmantošanas ierobežojumi un nepareizas lietošanas sekas.
- 1.4. IEROBEŽOJUMI.** Pirms šī aprīkojuma uzstādīšanas vai lietošanas vienmēr ņemiet vērā tālāk minētos ierobežojumus:
- **Kapacitāte.** SRD paredzētas lietošanai vienai personai ar kopējo svaru (apģērbs, rīki utt.), kas atbilst *Kapacitātes diapazonam*, norādītajam 1. tabulā. Pārliecinieties, ka visu jūsu sistēmas elementu kapacitāte ir atbilstoša jūsu lietojumam.
 - **Enkurojums.** SRD enkurojuma struktūrai jāspēj atbalstīt slodzes līdz 12 kN (2 697 mārciņām). Enkura ierīcēm jāatbilst EN795 vai citiem atbilstošiem enkurojuma savienojuma standartiem.
 - **Bloķēšanas ātrums.** Jāizvairās no situācijām, kur nav iespējams kritiena ceļš bez šķēršļiem. Strādājot ierobežotās vai šaurās vietās vai uz slīpas virsmas, kritiena gadījumā ķermenis var nesasniegt pietiekamu ātrumu, lai izraisītu SRD bloķēšanu. Strādājot uz lēni plūstoša materiāla, piemēram, smiltīm vai graudiem, var nerasties pietiekami liels krišanas ātrums, lai izraisītu SRD bloķēšanu. Lai panāktu drošu SRD bloķēšanu, nepieciešams brīvs kritiena ceļš.
 - **Brīvais kritiens.** Ja enkurojums ir virs galvas, SRD ierobežos brīvā kritiena attālumu līdz 0,6 m (2 pēdām)¹. Lai izvairītos no palielinātiem kritiena attālumiem, noenkurojiet SRD tieši virs darba līmeņa. Nekad nepievienojiet SRD enkurspunktam, kas radīs brīvo kritienu lielāku par 1,5 m (5 pēdām). Izvairieties strādāt, kur jūsu drošības troses var šķērsot kāda cita strādājošā drošības trosi vai sapīties ar to. Izvairieties strādāt, kur var krist kāds objekts un uzkrīst drošības trosi, kas izraisa līdzsvara zudumu vai drošības troses bojājumu. Neļaujiet drošības trosi nokļūt zem rokām vai starp kājām. Nekad neiespīlējiet, nesamezglājiet un netraucējiet drošības trosi ievilties atpakaļ vai cieši savilkties. Izvairieties no atslābušas troses. **Nepagariniet SRD, pievienojot štropi vai līdzīgu elementu bez konsultācijām ar 3M.**
 - **Svārsta kritieni.** Svārsta efekta izraisīti kritieni notiek, kad enkurspunkts neatrodas tieši virs punkta, kur notiek kritiens. Spēks, ar kādu notiek sadursme ar priekšmetu svārsta kritiena laikā, var izraisīt smagu ievainojumu (skatiet 3A. attēlu). Lai samazinātu svārsta kritienu, pēc iespējas strādājiet tieši zem enkurspunkta (3B. attēls). Strādāšana attālu no enkurspunkta (3C. attēls) palielinās svārsta kritiena triecienu un palielinās vajadzīgo kritiena klīrensu (FC).
 - **Kritiena klīrenss.** Kritiena klīrensa aprēķināšana parādīta 3B. attēlā. Kritiena klīrenss (FC) ir brīvā kritiena (FF), palēninājuma attāluma (DD) un drošības faktora (SF) summa: $FC = FF + DD + SF$. Drošības faktorā ir iekļauta izslīdēšana D-gredzenā un iejūga izstiepšana. Kritiena klīrensa vērtības ir aprēķinātas un parādītas grafikā 4. attēlā. Visām vērtībām 4. attēlā tika izmantots drošības faktors 1 m (3,28 pēdas).
- Kritiena klīrenss (FC), kas parādīts 4. attēlā, pamatojas uz horizontālo (H) un vertikālo (V) attālumu starp dorsālo SRD savienojumu un enkurspunktu. Katra horizontālā režģa līnija grafikā attēlo vertikālo attālumu no enkurspunkta. Katra vertikālā režģa līnija attēlo horizontālo attālumu no enkurspunkta. Kritiena klīrensa (FC) vērtību nosaka zona (parabolas līnijas), kurā krustojas horizontālās (H) un vertikālās (V) līnijas. Piemērs 4. attēlā parāda, kā noteikt vajadzīgo kritiena klīrensa vērtību (FC) noteiktiem vertikāliem (V) un horizontāliem (H) attālumiem.
- Mainīgi enkurspunkti** Kritiena klīrensi 4. attēlā pamatojas uz stingra, stacionāra enkurspunkta lietošanu. Ja enkurojums notiek pie horizontālas drošības troses (HLL) vai enkurspunkta, kas var pārvietoties, slīdēt vai deformēties kritiena brīdī, kritiena klīrensa vērtības no 4. attēla nav piemērojamas. Skatiet norādījumus par HLL vai enkuru papildu informācijai attiecībā uz nepieciešamajiem kritiena klīrensiem, novirzēm un vai deformāciju.
- Darbs uz ceļiem vai tupus.** Klīrensa grafiki 4. attēlā veidoti, pieņemot, ka strādājošais ir stāvus. Ja strādājošais ir uz ceļiem vai tupus, nepieciešams papildu kritiena klīrings 0,9 m (3 pēdas).
- Nekad nenoenkurojiet zem pēdām.** Nekad nepievienojieties enkurspunktam zem pēdām.
- **Riski.** Šī aprīkojuma izmantošana vietās, kur pastāv apkārtēji riski, prasa papildu piesardzības pasākumus, lai samazinātu lietotāja traumas iespēju vai aprīkojuma bojājumu. Riski var ietvert, bet nav ierobežoti ar: lielu karstumu, kodīgām ķīmiskajām vielām, kodīgu vidi, augstsprieguma līnijas, sprādzienbīstamas vai indīgas gāzes, kustīgas mašīnas vai materiālus virs galvas, kas var krist un saskarties ar lietotāju vai kritiena bloķēšanas sistēmu. Izvairieties strādāt vietā, kur jūsu drošības troses var krustot vai sapīties ar cita strādājošā trosi. Izvairieties strādāt, kur var krist kāds objekts un uzkrīst drošības trosi, kas izraisa līdzsvara zudumu vai drošības troses bojājumu. Neļaujiet drošības trosi nokļūt zem rokām vai starp kājām.
 - **Asas šķautnes.** Asām šķautnēm, ar kurām SRD drošības troses var saskarties kritiena laikā, minimālajam rādiusam jābūt 0,3 cm (0,125"). Ja nav iespējams izvairīties no kontakta ar asu šķautni, nosedziet šķautni ar aizsargājošu materiālu.

¹ Brīvais kritiens Pareiza SRD lietošana, kad strādājošais atrodas tieši zem enkurspunkta bez atslābuma drošības trosē, izslēgs brīvu kritienu. Piemērotas enkurojuma vietas skatiet 4. attēlā.

2.0. Sistēmas lietošana

- 2.1. KRITIENA AIZSARDZĪBA UN GLĀBŠANAS PLĀNS.** Darba devējam jābūt kritiena aizsardzības un glābšanas plānam. Plānam jāsniedz vadlīnijas un prasības darba devēja vadītai kritiena aizsardzības programmai, ieskaitot politikas, pienākumus un apmācību; kritiena aizsardzības procedūras; kritiena riska novēršanu un kontroli; glābšanas procedūras; negadījumu izmeklēšanu; un programmas efektivitātes izvērtēšanu.
- 2.2. PĀRBAUDES BIEŽUMS.** SRD jāpārbauda pilnvarotai personai¹ vai glābējam² pirms katras lietošanas (skatiet 3. tabulu). Papildus tam, pārbaudes jāveic kompetentai personai,³ kas nav lietotājs. Ekstrēmās darba apstākļos (skarba vide, ilgstošs lietojums u.c.) var būt nepieciešamas biežākas kompetentu personu veiktas pārbaudes. Kompetentai personai jāizmanto Pārbaudes grafiks (2. tabula), lai noteiktu piemērotus pārbaudes intervālus. Pārbaudes procedūras aprakstītas sadaļā "Pārbaudes un apkopes žurnāls" (1. tabula). Visu kompetentas personas veikto pārbaudu rezultāti jāfiksē "Pārbaudu un apkopes žurnālā" vai jāieraksta Radio frekvences identifikācijas sistēmā (RFID) (skatiet 5. sadaļu).
- 2.3. NORMĀLS DARBS.** Normāls darbs ļaus drošības trosi izstiepties un ievilkties bez kavēšanās vai atslābuma, kad strādājošais pārvietojas ar normālu ātrumu. Ja notiek kritiens, iedarbosies ātrumu sajūtoša bremzes sistēma, apturot kritienu un absorbējot lielu daļu no radītās enerģijas. Normāla darba veikšanas laikā jāizvairās no pēkšņām vai ātrām kustībām, jo tās var izraisīt SRD bloķēšanu. Kritieniem, kas notiek tuvu drošības troses garumam, iekļauta rezerves drošības troses vai enerģijas absorbētājs, lai samazinātu kritiena bloķēšanas spēkus.
- 2.4. ĶERMEŅA ATBALSTS.** Ar pašievelkošu ierīci jālieto ķermeņa pilnēkipējums. Iejūga pievienošanas punktam jābūt virs lietotāja smagumcentra. Ķermeņa josta nav autorizēta lietošanai ar pašievelkošu ierīci. Ja notiek kritiens, lietojot ķermeņa jostu, var tikt izraisīta netīša atbrīvošana vai fizisks ievainojums no nepareiza ķermeņa atbalsta.
- 2.5. ELEMENTU SAVIETOJAMĪBA.** Ja nav norādīts citādi, 3M aprīkojumu paredzēts lietot tikai kopā ar 3M apstiprinātiem elementiem un apakšsistēmām. Aizvietošana vai nomaīņa, izmantojot neapstiprinātus elementus vai apakšsistēmas, var apdraudēt ekipējuma savietojamību un var ietekmēt visas sistēmas drošumu un uzticamību.
- 2.6. SAVIENOTĀJU SAVIETOJAMĪBA.** Savienojumi tiek uzskatīti par savietojamiem ar savienošajiem elementiem, kad tie ir paredzēti lietošanai kopā tādā veidā, ka to izmēri un forma neizraisa to slēdzēj mehānismu nejaušu atvēršanos neatkarīgi no novietojuma virziena. Ja jums ir jautājumi par savietojamību, sazinieties ar 3M. Savienojumiem (āķiem, karabīnēm un D-gredzeniem) jāspēj izturēt vismaz 22,2 kN (5 000 mārciņas) slodze. Savienojumiem jābūt savietojamiem ar enkurojumu un citiem sistēmas elementiem. Neizmantojiet nesavietojamu ekipējumu. Nesavietojami savienojumi var negaidīti atvienoties (skatīt 5. attēlu). Savienojumiem jābūt savietojamiem izmēra, formas un izturības ziņā. Jāizmanto pašnoslēdzošies fiksējošie āķi un karabīnes. Ja savienošais elements, kam pievienots fiksējošais āķis vai karabīne, ir pārāk mazs vai neregulāras formas, var veidoties situācija, kad savienošais elements spiež uz fiksējošā āķa vai karabīnes slēdzēj mehānismu (A). Šāds spiediens var izraisīt slēdzēj mehānisma atvēršanos (B), ļaujot fiksējošam āķim vai karabīnei atvienoties no savienojuma punkta (C).
- 2.7. SAVIENOJUMU VEIDOŠANA.** Kopā ar šo ekipējumu izmantojiet tikai fiksējošos āķus un karabīnes. Pārliecinieties, ka visi savienojumi ir izmēra, formas un izturības ziņā savietojami. Neizmantojiet nesavietojamu ekipējumu. Pārliecinieties, ka visi savienojumi ir pilnībā slēgti un nofiksēti. 3M savienojumi (fiksējošie āķi un karabīnes) ir paredzēti tikai katra izstrādājuma lietošanas pamācībā norādītajai lietošanai. Nepareizus savienojumus skatiet 6. attēlā.

Fiksējošos āķus un karabīnes nedrīkst savienot šādā veidā:

- Pie D-gredzena, kam pievienots cits savienotājs.
- Tādā veidā, kas rada slodzi slēdzēj mehānismam. Plaši atveramus fiksējošos āķus nedrīkst pievienot standarta izmēra D-gredzeniem vai līdzīgiem objektiem, jo tas radīs slodzi slēdzēj mehānismam, ja āķis vai D-gredzens noliecas vai pagriežas, ja vien fiksējošais āķis nav aprīkots ar 16 kN (3 600 mārciņu) slēdzēj mehānismu.
- Nepareizā savienojumā, kur savienotāju izmēri un forma nav savietojami, bez vizuālas pārbaudes, savienotāji šķiet pilnībā savienoti.
- Savā starpā.
- Tieši pie nemetāla vai virves štropes vai atsaites (ja vien gan štropes, gan savienojuma ražotāju instrukcija īpaši nenorāda, ka šāds savienojums ir atļauts).
- Pie jebkura priekšmeta, kura forma vai dimensijas nepieļauj fiksējošā āķa vai karabīnes kārtīgu noslēgšanu un fiksēšanu vai var izraisīt fiksētā elementa izvelšanos.
- Tādā veidā, kas neļauj savienotājam ieņemt pareizo stāvokli slodzes apstākļos.

2. tabula – Pārbaudu grafiks

Lietošanas veids	Lietošanas piemēri	Lietošanas apstākļi	Pārbaudes biežums
			Kompetentā persona
No retas līdz vieglai	Glābšana un šaura telpa, rūpnīcas apkope	Labi glabāšanas apstākļi, lietošana iekštelpās vai reti ārpus telpām, istabas temperatūra, tīra vide	Reizi gadā
No vidēji smagiem līdz smagiem	Transports, dzīvojamā māju celtniecība, komunālie uzņēmumi, noliktava	Diezgan labi glabāšanas apstākļi, lietošana iekštelpās un ilgāku laiku ārpus telpām, visās temperatūrās, tīrā vai putekļainā vidē	Reizi pusgadā līdz reizei gadā
No ļoti smagiem līdz nepārtrauktai lietošanai	Rūpniecisku objektu celtniecība, naftas un gāzes ieguve, raktuves	Skarbi glabāšanas apstākļi, ilgstoša vai nepārtraukta lietošana ārpus telpām, visas temperatūras, netīra vide	No reizes ceturksnī līdz reizei pusgadā

¹ **Pilnvarota persona:** persona, kurai darba devējs uzdevs veikt pienākumus vietā, kur šī persona pakļauta kritiena riskam.

² **Glābējs:** persona vai personas, kuras nav glābjamās personas un kuras darbojas, lai veiktu asistētu glābšanu, izmantojot glābšanas sistēmu.

³ **Kompetenta persona:** darba devēja noteikts indivīds, kas atbildīgs par tiešo darba devēja vadīto kritiena aizsardzības programmas uzraudzību, ieviešanu un monitorēšanu, kas, pateicoties apmācībai un zināšanām, spēj identificēt, novērtēt un risināt esošus un iespējamus kritiena riskus, un kam ir darba devēja pilnvarojums veikt tūlītēju koriģējošu darbību attiecībā uz šādiem riskiem.

3.0 Uzstādīšana

3.1 PLĀNOŠANA. Plānoiet kritiena aizsardzības sistēmu pirms darba sākšanas. Novērtējiet visus faktorus, kas var ietekmēt jūsu drošību pirms un pēc kritiena un kritiena laikā. Ņemiet vērā visas prasības un ierobežojumus, kas definēti 2. sadaļā.

Vairumā lietojumu Nano-Lok SRD var pievienot enkurojumam vai aizmugurējai iejūga vietai. Atļautas abas vietas, izņemot gadījumus, kas norādīti 4. sadaļā

3.2 ENKUROJUMS. Tipiski SRD enkurojuma savienojumi parādīti 7. attēlā. Atlasiet enkurojuma vietu ar minimālu brīva kritiena un svārsta efekta riskiem (skatiet 1. sadaļu). Atlasiet stingru enkurojuma vietu, kas spēj izturēt 1. sadaļā definētās statiskās slodzes. Kad enkurojuma izveide virs galvas nav iespējama, Nano-Lok SRD var nostiprināt pie enkura punkta zem lietotāja muguras D gredzena līmeņa. Lietotājiem ar svaru līdz 140 kg (310 mārciņām) enkurojuma punktam ir jābūt ne zemāk kā 1,5 m (5 pēdas) zem muguras D gredzena.

3.3 IEJŪGA UZSTĀDĪŠANA. Daži SRD modeļi iekļauj vienas SRD vai divu SRD iejūga saskarni SRD uzstādīšanai uz pilnā ķermeņa iejūga tieši zem muguras D gredzena:

Daži pilni ķermeņa iejūgi ir aprīkoti ar personīgu SRD savienojumu (PSRD savienojumu), kas apvieno vienā veselā muguras D gredzena ar elementiem uz iejūga uzstādītu pašievēlkošu ierīču pievienošanai (8. attēls). Ir pieļaujama arī SRD pievienošana pie muguras D gredzena ar karabīni vai sakabes āķi.

- **Viena SRD iejūga uzstādīšana.** Ja strādājošā mobilitāte ir kritiska, SRD iejūga saskarni var lietot, lai uzstādītu SRD pilnā ķermeņa iejūga mugurpusē tieši zem muguras D gredzena (skatiet 9. attēlu). Tad strādājošais var pievienoties dažādiem enkurojuma punktiem, kas atrodas darba vietā, ar SRD štopes galu bez atkārtotas SRD uzstādīšanas. Lai uzstādītu SRD uz ķermeņa pilnā iejūga ar SRD iejūga saskarni:

1. **Atslābiniet iejūga auduma siksnas.** Izvelciet ārā auduma siksnas (A), kur tās iet cauri muguras D gredzena (B) apakšai, līdz rodas pietiekama vieta SRD saskarnes ievietošanai starp auduma siksnām un D gredzena polsterējumu.
2. **Atveriet iejūga saskarni.** Vienlaicīgi nospiediet uz leju fiksējošās pogas (C) un pavelciet uz ārpusi fiksējošo tapu (D).
3. **Novietojiet SRD uz iejūga saskarnes.** Ievietojiet ķermeņa iejūga saskarnes atvērto galu caur SRD kustīgo cilpu (E). Izvelciet saskarni caur lokanajām cilpām tā, lai SRD nokarātos no iejūga saskarnes centrālās daļas (F).
4. **Novietojiet iejūga saskarni ap auduma siksnām.** Novietojiet iejūga saskarnes atvērto galu ap vaļīgajām auduma siksnām (A).
5. **Aizveriet iejūga saskarni:** Iespiediet iejūga saskarnes fiksācijas tapu (D) cauri vaļīgajām iejūga atsaitēm (A), līdz tā fiksējas vietā iejūga saskarnes pretējā pusē. Lai nostiprinātu iejūga saskarni, izvelciet auduma siksnas atpakaļ caur muguras D gredzena un muguras polsteri.

Ja iejūga saskarne nav noslēgta, būs redzama sarkana josla uz iejūga saskarnes bloķējošās tapas. Lai izvairītos no savienojuma nejaušas atvēršanās, pirms iejūga un pievienotās SDR lietošanas vienmēr pārliecinieties, ka iejūga saskarne ir noslēgta. Ja to neizdara, iespējams ievainojums vai nāve.

- **Divu SRD iejūga uzstādīšana.** Izmantojot kāpšanā, kur nepieciešama 100% piesaiste, SRD iejūga saskarni var lietot, lai uzstādītu vienu otram blakus divas SRD pilnā ķermeņa iejūga mugurpusē tieši zem muguras D gredzena (skatiet 9. attēlu). Lai uzstādītu divas SRD uz pilnā ķermeņa iejūga ar SRD iejūga saskarni:

1. **Atslābiniet iejūga auduma siksnas.** Izvelciet ārā auduma siksnas (A), kur tās iet cauri muguras D gredzena (B) apakšai, līdz rodas pietiekama vieta SRD saskarnes ievietošanai starp auduma siksnām un D gredzena polsterējumu.
2. **Atveriet iejūga saskarni.** Vienlaicīgi nospiediet uz leju fiksējošās pogas (C) un pavelciet uz ārpusi fiksējošo tapu (D).
3. **Novietojiet abas SRD uz iejūga saskarnes.** Ievietojiet ķermeņa iejūga saskarnes atvērto galu caur katras SRD kustīgo cilpu (E). Izvelciet saskarni caur lokanajām cilpām tā, lai abas SRD nokarātos no iejūga saskarnes centrālās daļas (F).
4. **Novietojiet iejūga saskarni ap auduma siksnām.** Novietojiet iejūga saskarnes atvērto galu ap vaļīgajām auduma siksnām (A).
5. **Aizveriet iejūga saskarni.** Iespiediet iejūga saskarnes fiksācijas tapu (D) cauri vaļīgajām iejūga atsaitēm (A), līdz tā fiksējas vietā iejūga saskarnes pretējā pusē. Lai nostiprinātu iejūga saskarni, izvelciet auduma siksnas atpakaļ caur muguras D gredzena un muguras polsteri.

Ja iejūga saskarne nav noslēgta, būs redzama sarkana josla uz iejūga saskarnes bloķējošās tapas. Lai izvairītos no savienojuma nejaušas atvēršanās, pirms iejūga un pievienotās SDR lietošanas vienmēr pārliecinieties, ka iejūga saskarne ir noslēgta. Ja to neizdara, iespējams ievainojums vai nāve.

- **Divu SRD fiksēta D gredzena iejūga uzstādīšana.** Vecākiem ExoFit pilnajiem ķermeņa iejūgiem ar fiksētu D gredzenu vajadzīga speciāla SRD iejūga saskarne, lai uzstādītu divus SRD uz iejūga mugurpusē tieši zem muguras D gredzena. Lai uzstādītu divas SRD uz ExoFit ķermeņa pilnā ķermeņa iejūga ar iejūga saskarni SRD ar fiksētu D gredzenu (10. attēls).
 1. **Atslābiniet iejūga auduma siksnas.** Izvelciet ārā auduma siksnas (A), kur tās iet cauri muguras D gredzena (B) apakšai, līdz rodas pietiekama vieta SRD saskarnes ievietošanai starp auduma siksnām un muguras polsterējumu.
 2. **Atveriet iejūga saskarni.** Ar SRD saskarni orientētu kā attēlā, pabīdiet noslēdzošo uznavu (C) pa labi un tad pagrieziet pulksteņrādītāja virzienā, lai atbloķētu slēdzēj mehānismu (D). Nolaidiet slēdzēj mehānismu (D) uz leju, lai to atvērtu.
 3. **Ievietiet pirmo SRD iejūga saskarnē.** Ievadiet savienotāja galu (F) caur kustīgo gredzenu (F) uz SRD, tad pagrieziet SRD ap savienotāja slēdzēj mehānisma galu (G). Slēdzēj mehānismu var aizvērt, lai veidotu klīrensu kustīgajam gredzenam ar slēdzēj mehānismu un savienotāja mugurpusi.
 4. **Novietojiet iejūga saskarni ap auduma siksnām.** Ievadiet savienotāja galu (E) aiz auduma siksnām (A). Pagrieziet savienotāju aiz auduma siksnām, līdz savienotājs aptver auduma siksnas.
 5. **Pievienojiet otro SRD iejūga saskarnei.** Uzbīdīet SRD kustīgo gredzenu (F) uz savienotāja gala (E) un ievietojiet SRD kustīgo gredzenu savienotāja galā.
 6. **Aizveriet iejūga saskarni:** Ļaujiet slēdzēj mehānismam (D) pagriezties noslēgtā stāvoklī un noslēdzošajai uznavai (C) pagriezties atpakaļ noslēdzošā stāvoklī. Kad iejūga saskarne ir aizvērta, velciet auduma siksnas (A) atpakaļ caur muguras D gredzenu, lai samazinātu auduma siksnu vajīgumu un nostiprinātu iejūga saskarni starp auduma siksnām un muguras polsteri.
- **3M® DBI-SALA® dubultā karabīne.** The 3M® DBI-SALA® dubultā karabīne ir izveidota, lai uzstādītu divus Nano-Lok SRD vienu blakus otram pilnā ķermeņa iejūga aizmugurē tieši zem muguras D gredzena (skatīt 12. attēlu). Lai ar dubulto karabīni uzstādītu divus Nano-Lok SRD uz pilnā ķermeņa iejūga:
 1. **Atslābiniet iejūga auduma siksnas.** Izvelciet ārā auduma siksnas (A), kur tās iet cauri muguras D gredzena (B) apakšai, līdz rodas pietiekama vieta divu posmu saskarnes ievietošanai starp auduma siksnām un D gredzena polsterējumu.
 2. **Atveriet dubulto karabīni.** Bīdīet uz augšu savienotāja ieliktni (C), lai atbrīvotu skavas (D) no savienotāja, un tad pagrieziet savienotāja ieliktni uz augšu, lai atbloķētu slēdzēj mehānismu. Bīdīet slēdzēj mehānismu (E) uz iekšu, lai atvērtu savienotāju.
 3. **Uztīniet pirmo Nano-Lok SRD uz dubultās karabīnes.** Ievadiet savienotāja galu (F) caur kustīgo gredzenu (G) uz SRL, tad pagrieziet SRL ap savienotāja slēdzēj mehānisma galu (H). Slēdzēj mehānismu var pagriezt pret galu, lai veidotu klīrensu kustīgajam gredzenam starp slēdzēj mehānismu un savienotāja mugurpusi.
 4. **Apliciet dubulto karabīni ap iejūga siksnām.** Ar slēdzēj mehānismu uz augšu, ievadiet savienotāja galu (F) aiz auduma siksnām (A). Pagrieziet savienotāju aiz auduma siksnām, līdz savienotājs aptver auduma siksnas.
 5. **Uzlieciet uz dubultās karabīnes otru Nano-Lok SRD.** Uzbīdīet SRL kustīgo gredzenu (G) uz savienotāja gala (F) un ievietojiet SRL kustīgo gredzenu savienotāja galā (F). Pagrieziet slēdzēj mehānismu (E), lai to noslēgtu.
 6. **Aizveriet dubulto karabīni.** Pagrieziet savienotāja ieliktni (C) uz priekšu, lai skavas (D) nostiprinātu savienotāju. Ja aizvērta pareizi, auduma siksnām jāiet cauri auduma siksnu atverei (J) savienotāja ieliktna augšpusē, un SRL kustīgajiem gredzeniem jābūt nostiprinātiem spraugās (K) abās pusēs savienotāja ieliktnim. Kad iejūga saskarne ir aizvērta, velciet auduma siksnas (A) atpakaļ caur muguras D gredzenu un D gredzena polsteri, lai samazinātu auduma siksnu vajīgumu un nostiprinātu savienotāju starp auduma siksnām un D gredzena polsteri.
- **3M® DBI-SALA® dubultās tapas karabīne.** Šo iejūga pievienojumu var izmantot, lai uzstādītu vienu Nano-Lok SRL vai divus Nano-Lok SRL kāpšanas pielietojumam (skatīt 11. attēlu), kur nepieciešama 100% piesaiste:
 1. **Atslābiniet iejūga auduma siksnas.** Izvelciet ārā auduma siksnas (A), kur tās iet cauri muguras D gredzena (B) apakšai, līdz rodas pietiekama vieta divu posmu saskarnes ievietošanai starp auduma siksnām un D gredzena polsterējumu.
 2. **Konfigurācijai ar vienu SRL.** Uzlieciet viena SRL kustīgo cilpu atvērtās vietas centrā.
 3. **Konfigurācijai ar diviem SRL.** uzlieciet viena SRL kustīgo cilpu atvērtajā vietā tuvāk tapai un otru SRL atvērtajā vietā tālāk no tapas.
 4. Iebīdīet tapu vietā, līdz sadzirdat klikšķi. Tapai jābūt stingri fiksētai vietā.
 5. Vienlaicīgi nospiediet divas pogas savienotāja iejūga pusē, bīdot tapu ārā. Bīdot šo tapu ārā, veidojas atvērta vieta.
 6. Pavelciet uz augšu, lai atbrīvotu siksnas tieši zem jūsu iejūga aizmugurējā D gredzena. Novietojiet savienotāja iejūga pusi zem D gredzena.
 7. Bīdīet tapu atpakaļ vietā, nodrošinot, ka tapa paliek zem abiem iejūga siksnu slāņiem, līdz sadzirdat klikšķi. Tapai jābūt stingri fiksētai vietā.

4.0 LIETOŠANA

Lietotājiem, kas pašievelkošas ierīces (SRD) lieto pirmoreiz vai reti, pirms SRD lietošanas jāpārlasa "Drošības informācija" šīs rokasgrāmatas sākumā.

- 4.1 PIRMS KATRAS LIETOŠANAS.** Pirms katras šī kritiena aizsardzības aprīkojuma lietošanas, rūpīgi pārbaudiet to, lai pārliedzinātos, ka tas ir labā darba kārtībā. Pārbaudiet, vai daļas nav nolietotas vai bojātas. Pārliedzinieties, ka visas skrūves ir vietā un drošas. Pārbaudiet, vai drošības troses ievilkas atpakaļ pareizi, pavelkot trosi ārā un ļaujot tai lēni ievilkties atpakaļ. Ja ievilkšanās atpakaļ notiek ar kavēšanos, ierīce jāizņem no lietošanas un jāiznīcina. Pārbaudiet, vai drošības trosē nav iegriezumu, nodriskājumu, apdegumu, iespaidumu un korozijas. Pārbaudiet bloķēšanu, strauji pavelkot trosi. Sīkāk par inspekciju lasiet Inspekcijas un apkopes žurnālā (3. tabula). Nelietojiet, ja inspekcija atklāj nedrošu stāvokli.
- 4.2 PĒC KRITIENA.** Jebkurš aprīkojums, kas bijis pakļauts kritiena bloķēšanas spēku iedarbībai vai uzrāda bojājumu, kas atbilst kritiena bloķēšanas spēku iedarbībai, kā aprakstīts 3. tabulā, nekavējoties jāizņem no lietošanas un jāiznīcina.
- 4.3 ĶERMEŅA ATBALSTS.** Lietojot SRD, jānēsā pilns ķermeņa iejūgs. Parastai izmantošanai kritiena aizsardzībā, pievienojiet pie aizmugures D gredzena.
- 4.4 SAVIENOJUMU VEIDOŠANA.** Iejūga un enkurojuma savienojumi SRD kritiena bloķēšanas SRD sistēmām parādīti 5. attēlā. Izmantojot savienojuma veidošanai āķi, pārliedzinieties, ka nevar notikt tā izvelšanās (skatiet 5. attēlu). Neizmantojiet āķus vai savienotājus, ko pēc piestiprināmā priekšmeta pievienošanas nevar pilnībā aiztaisīt. Nelietojiet fiksējošos āķus, kas nenoslēdzas. Enkurojumiem jāatbilst enkurojuma stiprības prasībām, kas sniegtas 2. tabulā. Izpildiet ražotāja norādījumus, kas piegādāti kopā ar katru sistēmas sastāvdaļu.
- 4.5 LIETOŠANA.** Pirms lietošanas pārbaudiet SRD kā aprakstīts 3. tabulā. Tipiska SRD lietojuma sistēmas savienojumi parādīti 14. attēlā. Pievienojiet SRD piemērotam enkurojumam vai uzstādiet SRD uz pilna ķermeņa iejūga muguras atbilstoši 3. sadaļas norādījumiem. Ja enkurojums pievienots SRD, pievienojiet āķi (D) vai karabīni pie slodzes indikatora uz muguras D gredzena (A) pilnajam ķermeņa iejūgam. Ja SRD uzstādīta uz iejūga, pievienojiet āķi (D) vai karabīni piemērotam enkurojumam. Pārliedzinieties, lai visi savienojumi būtu savietojami izmēra, formas un izturības ziņā. Pārliedzinieties, ka āķi ir pilnībā aizvērti un noslēgti. Pēc pievienošanas strādājošais var brīvi pārvietoties ieteicamajā darba zonā ar normālu ātrumu. Ja notiek kritiens, SRD noslēdzas un bloķē kritienu. Pēc glābšanas izņemiet SRD no lietošanas. Strādājot ar SRD, vienmēr kontrolējiet drošības troses ievilkšanos atpakaļ ierīcē.
- 4.6 DIVU SRD SASKARNES 100% PIESAISTE.** Kad divas SRD tiek uzstādītas blakus uz pilnā ķermeņa iejūga muguras, SRD kritiena bloķēšanas sistēmu var lietot nepārtrauktai aizsardzībai pret kritienu (100% piesaiste), kāpjot augšup, lejup vai pārvietojoties sāniski (skatiet 15. attēlu). Ar vienas SRD štropes galu piestiprinātu enkurojuma punktam, strādājošais var pārvietoties uz jaunu vietu, piestiprināt otras SRD neizmantoto štropes galu citam enkurojumam, un tad atvienoties no oriģinālā enkurojuma. Šāda secība tiek atkārtota, līdz strādājošais sasniedz vēlamu vietu. Apsvērumi par divu SRD 100% piesaistes izmantošanu ietver:
- Nekad nepievienot abu SRD štropes pie viena enkurojuma (skatiet 16A. attēlu);
 - Vairāk nekā viena savienotāja pievienošana vienam enkurojumam (gredzenam vai atverei) var apdraudēt savienojuma saderību mijiedarbības starp savienotājiem dēļ, un nav ieteicama;
 - Katras SRD štropes pievienošana atsevišķam enkurojumam ir pieņemama (16B. attēls);
 - Katram savienojumam atsevišķi jāiztur 10 kN (2 248 mārciņas), vai jābūt vairāku komponentu sistēmai, piemēram, ar horizontālu drošības trosi;
 - Nekad nepievienojiet vairāk par vienu personu divu SRD sistēmai (16C. attēls);
 - Nepieļaujiet štroņu sapīšanās vai savīšanās, jo tas var kavēt to ievilkšanos;
 - Neļaujiet štropei lietošanas laikā nokļūt zem rokām vai starp kājām.
- 4.7 DIVU SRD UZSTĀDĪŠANA UZ MUGURAS D GREDZENA.** Modeļus ar trīskāršās darbības karabīni var uzstādīt uz muguras D gredzena dubultā konfigurācijā. Lai uzstādītu divus SRD uz iejūga muguras D gredzena (13. attēls):
1. **Atveriet trīskāršās darbības karabīni.** Trīskāršās darbības karabīnei atrodies attēlā parādītajā stāvoklī, bīdiet fiksācijas atloku (C) pa labi un tad pagrieziet pulksteņrādītāja virzienā, lai atvērtu slēdzēj mehānismu (D). Nolaidiet slēdzēj mehānismu (D) uz leju, lai to atvērtu.
 2. **Uzlieciet pirmo SRD uz trīskāršās darbības karabīnes.** Ievadiet savienotāja galu (F) caur kustīgo gredzenu (F) uz SRD, tad pagrieziet SRD ap savienotāja slēdzēj mehānisma galu (G). Slēdzēj mehānismu var aizvērt, lai veidotu klīrensu kustīgajam gredzenam ar slēdzēj mehānismu un savienotāja mugurpusi.
 3. **Uzlieciet uz trīskāršās darbības karabīnes otru SRD.** Uzveriet SRD kustīgo cilpu (F) uz savienotāja gala (F).
 4. **Izveriet trīskāršās darbības karabīni ceur D gredzenu.** Izveriet savienotāja galu (E) caur muguras d gredzenu (A). Pagrieziet savienotāju caur D gredzenu, līdz var aizvērt tā slēdzēj mehānismu.
 5. **Aizveriet trīskāršās darbības karabīni.** Ļaujiet slēdzēj mehānismam (D) pagriezties noslēgtā stāvoklī un noslēdzošajai uzmai (C) pagriezties atpakaļ noslēdzošā stāvoklī.
- 4.8 HORIZONTĀLAS SISTĒMAS.** Lietojumos, kur SRD izmanto kopā ar horizontālu sistēmu (t.i., horizontālu drošības trosi, horizontālas dubult-t sijas ratīji), SRD un horizontālās sistēmas sastāvdaļām jābūt saderīgām. Horizontālajām sistēmām jābūt projektētām un uzstādītām kvalificēta inženiera uzraudzībā. Sīkāk lasiet horizontālās sistēmas aprīkojuma ražotāja norādījumus.

Kritiena klīrensa vērtības 4. attēlā pamatojas uz enkurojuma pie stingra, stacionāra enkurojuma, un nav attiecināmas uz enkurojumu pie horizontālas drošības troses (HLL) sistēmas. Skatiet HLL norādījumu rokasgrāmatu un HLL uzstādīšanas norādījumus, lai noteiktu vajadzīgos kritiena klīrensus.

5.0 Pārbaude

5.1. RFID BIRKA. Pašieveļkoša ierīce ietver radiofrekvences identifikācijas (RFID) birku (skatiet 17. attēlu). RFID birku var izmantot ar rokā turamu nolasīšanas ierīci un tīmekļa portālu, lai vienkāršotu pārbaudi un inventāra kontroli un nodrošinātu jūsu kritiena aizsardzības aprīkojuma reģistru. Sīkāku informāciju saņemiet no 3M Klientu apkalpošanas dienesta pārstāvja (skatiet aizmugures vāku). Izpildiet norādījumus, kas pievienoti rokā turamam lasītājam, vai tīmekļa vietnē, lai pārsūtītu savus datus uz savu tīmekļa žurnālu.

5.2 PĀRBAUDES BIEŽUMS. Pašieveļkošā ierīce ir jāpārbauda 2. sadaļā norādītajos intervālos. Pārbaudes procedūras aprakstītas sadaļā "Pārbaudes un apkopes žurnāls" (3. tabula).

Ekstrēmās darba apstākļos (kaitīga vide, ilgstošs lietojums u.c.) var būt nepieciešamas biežākas pārbaudes (skatiet 2. tabulu).

5.3 NEDROŠI VAI DEFECTĪVI APSTĀKĻI. Ja pārbaude atklāj nedrošu vai defektīvu apstākli, nekavējoties izņemiet SRD no lietošanas un izmetiet (skatiet 6. sadaļu).

Šo aprīkojumu labot drīkst tikai 3M rakstisku atļauju saņēmušas personas.

5.4 IZSTRĀDĀJUMA LIETOŠANAS ILGUMS. 3M pašieveļkošo ierīču lietošanas ilgums atkarīgs no darba apstākļiem un apkopes. Kamēr izstrādājums atbilst pārbaudes kritērijiem, to var atstāt lietošanā (nepārsniedzot maksimālo produkta kalpošanas laiku). Maksimālais produkta kalpošanas laiks SRD ar auduma siksnām nav ilgāks par 10 gadiem no ražošanas datuma.

6.0 APKOPE, SERVISS un GLABĀŠANA

6.1 TĪRĪŠANA. SRD tīrīšanas procedūras ir šādas:

- Periodiski notīriet SRD ārpusi, izmantojot ūdeni un maigu ziepju šķīdumu. Novietojiet SRD tā, lai varētu notecēt liekais ūdens. Pēc vajadzības notīriet marķējumu.
- Notīriet nemetāla drošības trosi ar ūdeni un maigu ziepju šķīdumu. Noskalojiet un pilnībā izžāvējiet gaisā. Nežāvējiet karsējot. Drošības trosi jābūt sausai pirms ļaujāt tai ievilkties apvalkā. Pārmērīga netīrumu, krāsas utt. uzkrāšanās var kavēt drošības troses pilnīgu ievilkšanos atpakaļ apvalkā, izraisot iespējamu brīva kritiena risku.

6.2 SERVISS. SRD nav labojamas. Ja SRD bijusi pakļauta kritiena spēkam vai pārbaude atklāj nedrošu vai defektīvu stāvokli, izņemiet SRD no lietošanas un izmetiet (skatiet "Utilizācija").

6.3 GLABĀŠANA UN TRANSPORTĒŠANA. Glabājiet un transportējiet SRD vēsā, sausā un tīrā vidē, sargājot no tiešas saules gaismas. Izvairieties no vietām, kur var būt ķīmikāliju tvaiki. Pēc ilgstošas uzglabāšanas rūpīgi pārbaudiet SRD.

6.4 UTILIZĀCIJA. Utilizējiet SRD, ja tā ir tikusi pakļauta kritiena bloķēšanas spēkiem vai pārbaude atklāj nedrošu vai defektīvu apstākli. Pirms SRD utilizācijas pārgrieziet drošības trosi uz pusēm vai citādi padariet SRD nelietojamu, lai izslēgtu iespēju to netīši izmantot atkārtoti.

7.0 Marķējumi

Pašieveļkošo ierīču marķējums un tā atrašanās vietas parādītas 22. attēlā. Uz SRD jāatrodas visam marķējumam. Marķējums jānomaina, ja tas nav labi salasāms. Piktogrammas uz marķējuma ir definētas šādi:

1	Pārbaudiet āķi un triecienu indikatoru
2	Pārbaudiet SRL bloķējošo darbību
3	Pareiza SRL pievienošana iejūgam
4	Nav sertificēts pret asām šķautnēm. Var tikt pievienota enkurpunktam virs, zem vai vienā līmenī ar muguras D gredzenu (maksimāli 140 kg).
5	Temperatūras diapazons lietošanai no -40 °C līdz +60 °C
6	Maksimālā celbspēja 140 kg
7	Vienmēr kontrolējiet drošības troses ievilkšanos atpakaļ SRL
8	Nelabojiet
9	Glabājiet vēsā, sausā un tīrā vidē, sargājot no tiešas saules gaismas.
10	Nenoslogojiet uz šķautnes
11	Nenoņemiet marķējumu

3. tabula – Pārbaudes un apkopes žurnāls

Sērijas numurs(-i):		Iegādes datums:	
Modeļa numurs:		Pirmās lietošanas datums:	
Pārbaudes datums:		Pārbaudes veicējs:	
Elements:	Pārbaude: <small>(Pārbaudes biežumu skatiet 2. sadaļā)</small>	Derīgs	Nederīgs
SRD (18. attēls)	Pārbaudiet, vai nav vaļīgi fiksatori un salocītas vai bojātas daļas.	<input type="checkbox"/>	<input type="checkbox"/>
	Pārbaudiet korpusu (A), vai nav deformācijas, plaisu vai citu bojājumu.	<input type="checkbox"/>	<input type="checkbox"/>
	Pārbaudiet šarnīrsavienojumu (B) un šarnīrsavienojuma gredzenu (C) vai viengabala savienotāju (D), vai nav deformācijas, plaisu vai citu bojājumu. Šarnīrsavienojumam jābūt droši pievienotam pie SRL, bet brīvi jāgriežas. Šarnīrsavienojuma gredzenam vai viengabala savienotājam brīvi jāgriežas šarnīrā.	<input type="checkbox"/>	<input type="checkbox"/>
	Nemetāla drošības trosi (E) bez kavēšanās jābūt pilnībā izvelkamai un ievelkamai un nedrīkst veidot atslābumu.	<input type="checkbox"/>	<input type="checkbox"/>
	Pārlicinieties, ka SRD bloķējas, kad drošības trosi strauji pavelk. Bloķēšanai jābūt pārlicinošai, bez izslīdēšanas.	<input type="checkbox"/>	<input type="checkbox"/>
	Visam marķējumam jābūt vietā un labi salasāmam (skatiet 20. attēlu).	<input type="checkbox"/>	<input type="checkbox"/>
	Pārbaudiet visu SRD, vai nav korozijas pazīmju.	<input type="checkbox"/>	<input type="checkbox"/>
Gala savienotāji (19. attēls)	Gala savienotāji, kam jābūt iekļautiem jūsu Nano-Lok SRD modeļi, norādīti 2. tabulā. Pārbaudiet visus fiksējošos āķus, karabīnes, armatūras tērauda āķus, saskarnes utt., vai nav bojājuma, korozijas pazīmju, un vai ir labā darba kārtībā. Ja ir komplektācijā: aizbīdņiem jāatveras, jāaizveras, jānoslēdzas un jāatbloķējas pareizi, un noslēgšanas pogām un noslēgšanas tapām jāfunkcionē pareizi.	<input type="checkbox"/>	<input type="checkbox"/>
Nemetāla drošības troses (20. attēls)	Pārbaudiet pinumu; materiāls nedrīkst būt iegriezts (A), nodrīskāts (B) vai ar pārrautām šķiedrām. Pārbaudiet, vai nav plīsumu, noberzumu, ļoti netīrs (C), sapelējis, apdedzis (D) vai mainījis krāsu. Pārbaudiet šuves; pārbaudiet, vai nav izstieptu vai pārgrieztu šuvju. Plīsušās šuves var norādīt uz to, ka iejūgs bijis pakļauts triecienam un jāizņem no ekspluatācijas.	<input type="checkbox"/>	<input type="checkbox"/>
Enerģijas absorbētājs (21. attēls)	Pārbaudiet, vai iebūvētais enerģijas absorbētājs nav ticis aktivēts. Atvērts vai saplēsts apvalks (A), no apvalka izvilks, saplēsts vai nodrīskāts auduma elements (B), saplēsta šuve utt. ir norādes uz aktivētu enerģijas absorbētāju.	<input type="checkbox"/>	<input type="checkbox"/>
Korigējoša darbība/Apkope:	Apstiprināja:		
	Datums:		
Korigējoša darbība/Apkope:	Apstiprināja:		
	Datums:		
Korigējoša darbība/Apkope:	Apstiprināja:		
	Datums:		
Korigējoša darbība/Apkope:	Apstiprināja:		
	Datums:		
Korigējoša darbība/Apkope:	Apstiprināja:		
	Datums:		
Korigējoša darbība/Apkope:	Apstiprināja:		
	Datums:		
Korigējoša darbība/Apkope:	Apstiprināja:		
	Datums:		

Jekk jogħġbok aqra, ifhem, u segwi l-informazzjoni kollha dwar is-sigurtà li tinsab f'dawn l-istruzzjonijiet qabel l-użu ta' dan l-Apparat li Jingibed Lura Fuqu Nnifsu (SRD, Self-Retracting Device) JEKK TONQOS LI TAGHMEL HEKK, DAN JISTA' JIRRIŻULTA F'KORRIMENT SERJU JEW MEWT.

Dawn l-istruzzjonijiet iridu jiġu pprovduti lill-utent ta' dan it-tagħmir. Żomm dawn l-istruzzjonijiet biex tkun tista' tirreferi għalihom fil-futur.

Użu Intenzjonat:

Dan l-Apparat li Jingibed Lura Fuqu Nnifsu huwa intenzjonat li jintuża bħala parti minn sistema kompluta ta' protezzjoni kontra waqgħa personali.

L-użu fi kwalunkwe applikazzjoni oħra, inklużi, iżda mhux limitati għal, immaniġġjar ta' materjal, attivitajiet rikreazzjonali jew relatati mal-isport, jew attivitajiet oħra mhux deskritti fl-Istruzzjonijiet għall-Utent, mhuwix approvat minn 3M u jista' jirriżulta f'korrimment serju jew mewt.

Dan it-tagħmir għandu jintuża biss minn utenti mharrġa f'applikazzjonijiet fuq il-post tax-xogħol.

! TWISSIJA

Dan l-Apparat li Jingibed Lura Fuqu Nnifsu huwa parti minn sistema ta' protezzjoni kontra waqgħa personali. Huwa mistenni li l-utenti kollha jkunni mharrġa b'mod sħiħ fl-installazzjoni u l-operazzjoni siguri tas-sistemi ta' protezzjoni kontra waqgħa personali tagħhom. **L-użu hażin ta' dan it-tagħmir jista' jirriżulta f'korrimment serju jew mewt.** Għal għażla, operazzjoni, installazzjoni, manutenzjoni, u servizz kif suppost, irreferi għal dawn l-Istruzzjonijiet għall-Utent li jinkludu r-rakkomandazzjonijiet kollha tal-manifattur, kellew lis-supervizur tiegħek, jew ikkuntattja lis-Servizzi Tekniċi ta' 3M.

• Biex tnaqqas ir-riskji assoċjati max-xogħol b'SRD li, jekk ma jiġux evitati, jistgħu jwasslu għal korrimment serju jew mewt:

- Qabel kull użu, spezzjona l-SRD u ċekkja li qed jissakkra u jingibed lura fuqu nnifsu kif suppost.
- Jekk l-ispezzjoni tiżvela kundizzjoni mhux sigura jew difettuża, neħhi t-tagħmir mis-servizz u sewwih jew ibdlu skont l-Istruzzjonijiet għall-Utent.
- Jekk l-SRD għe soġġett għal twaqqif ta' waqgħa mill-gholi jew forza tal-impatt, neħhi l-SRD immedjatament mis-servizz u mmarka l-apparat b'tikketta 'MA JISTAX JINTUŻA'.
- Żgura li l-linja tas-salvataġġ tinzamm hielsa minn kull ostaklu inkluż, iżda mhux limitat għal; thabbil ma' makkinarju jew tagħmir li jiċċaqalq (eż., il-magna fil-quċċata (top drive) tar-riggijiet taż-żejt), haddiema oħra, inti stess, oġġetti fil-madwar, jew impatt minn oġġetti li jkunni jinsabu 'l fuq mir-ras li jistgħu jaqgħu fuq il-linja tas-salvataġġ jew fuq il-haddiem.
- Qatt thalli partijiet tal-habel imdendla fil-linja tas-salvataġġ. Torbotx jew tghaqqadx il-linja tas-salvataġġ.
- Orbot is-sieq/saqajn mhux użata/i tal-SRD Immuntat fuq l-Irbit tas-Sikurezza mal-parti/jiet tal-irbit tal-ipparkjar fuq l-irbit tas-sikurezza jekk huwa mghammar.
- Tużax f'applikazzjonijiet li jkollhom passaġġ għall-waqgħa ostakolat. Hidma fuq materjali li jitharrku bil-mod, bħalma hu ramel jew qamħ, jew fi spazji magħluqa jew iffullati, tista' ttellef lill-haddiem milli jilhaq biżżejjed velocità biex iġġieghel lill-SRD biex jillockja. Huwa mehtieg passaġġ miftuħ biex jiġi assigurat l-illokkjar pożittiv tal-SRD.
- Evita movimenti għall-gharrieda jew rapidi matul operazzjoni tax-xogħol normali. Dan jista' jikkawza lill-apparat biex jillockja.
- Żgura li s-sistemi/subsistemi ta' protezzjoni kontra waqgħa immuntati minn komponenti magħmula minn manifatturi differenti huma kompatibbli u jissodisfaw ir-rekwiżiti tal-istandards applikabbli, inkluż ANSI Z359 jew kodiċi, standards, jew rekwiżiti tal-protezzjoni kontra waqgħa oħrajn applikabbli. Dejjem ikkonsulta Persuna Kompetenti u/jew Ikkwalifikata qabel tuża dawn is-sistemi.

• Biex tnaqqas ir-riskji assoċjati max-xogħol fl-gholi li, jekk ma jiġux evitati, jistgħu jwasslu għal korrimment serju jew mewt:

- Żgura li saħtekk u l-kundizzjoni fizika tiegħek jippermettulek tissaporti b'mod sigur il-forzi kollha assoċjati max-xogħol fl-gholi. Ikkonsulta lit-tabib tiegħek jekk għandek xi mistoqsijiet rigward il-kapaċità tiegħek li tuża dan it-tagħmir.
- Qatt taqbeż il-kapaċità permessa tat-tagħmir ta' protezzjoni tiegħek kontra waqgħa.
- Qatt taqbeż id-distanza ta' waqgħa mingħajr kontroll (free fall) massima tat-tagħmir ta' protezzjoni tiegħek kontra waqgħa.
- Tuża l-ebda tagħmir ta' protezzjoni kontra waqgħa li ma jghaddix mill-ispezzjoni ta' qabel l-użu jew spezzjonijiet skedati oħra, jew jekk għandek thassib dwar l-użu jew l-adeqwatezza tat-tagħmir għall-applikazzjoni tiegħek. Ikkuntattja lis-Servizzi Tekniċi ta' 3M bi kwalunkwe mistoqsijiet li għandek.
- Xi kombinazzjonijiet ta' subsistemi u komponenti jistgħu jinterferixxu mal-operazzjoni ta' dan it-tagħmir. Uża konnessjonijiet kompatibbli biss. Ikkonsulta lil 3M qabel tuża dan it-tagħmir flimkien ma' komponenti jew subsistemi oħrajn li mhumiex deskritti fl-Istruzzjonijiet għall-Utent.
- Hu prekawzjonijiet żejda meta taħdem madwar makkinarju li jiċċaqalq (eż. top drive ta' riggjiet taż-żejt), perikli elettrici, temperaturi estremi, perikli kimiċi, gassijiet splussivi jew tossiċi, truf jaqtgħu jew bil-ponta, jew taħt materjali fuq rasek li jistgħu jaqgħu fuqek jew fuq it-tagħmir ta' protezzjoni kontra waqgħa tiegħek.
- Uża apparati ta' Arc Flash jew Hot Works meta taħdem f'ambjenti b'hafna shana.
- Evita wcuħ u oġġetti li jistgħu jagħmlu ħsara lill-utent jew lit-tagħmir.
- Żgura li hemm distanza adegwata tal-waqgħa biex taħdem it-tagħmir meta tkun qed taħdem fl-gholi.
- Qatt timmodifika jew tagħmel tibdiliet fit-tagħmir ta' protezzjoni kontra waqgħa tiegħek. 3M jew partijiet awtorizzati bil-miktub minn 3M biss jistgħu jagħmlu xogħol ta' tiswija fuq dan l-apparat.
- Qabel l-użu tat-tagħmir ta' protezzjoni kontra waqgħa, żgura li hemm fis-seħħ pjan ta' salvataġġ li jippermetti li wiehed jiġi salvat malajr jekk isehh incident ta' waqgħa.
- Jekk isehh incident ta' waqgħa, ikseb attenzjoni medika immedjatament għall-haddiem li waqa'.
- Tużax ċineġ tal-irbit għall-gisem għal applikazzjonijiet ta' waqfien ta' waqgħa. Uża biss Irbit tas-Sikurezza għall-Gisem Kollu.
- Imminimizza l-waqgħat bi tbandil billi taħdem kemm jista' jkun direttament taħt il-punt ta' ankraġġ.
- Jekk qed tagħmel taħriġ b'dan l-apparat, għandha tintuża sistema sekondarja ta' protezzjoni kontra waqgħa b'mod li ma jesponix lil min qed jitharreg għal periklu ta' waqgħa mhux intenzjonata.
- Dejjem ilbes tagħmir protettiv personali xieraq meta tinstalla, tuża, jew tispezzjona t-tagħmir/is-sistema.

Qabel ma tuża dan it-tagħmir, hu nota tal-informazzjoni ta' identifikazzjoni tal-prodott mit-tikketta tal-Identifikazzjoni 'fir-Regjistru ta' Spezzjoni u Manutenzjoni' fuq in-naħa ta' wara ta' dan il-manwal.

DESKRIZZJONI:

Figura 2 tidentifika l-elementi ewlenin tal-Apparati li Jingibdu Lura Fuqhom Infushom (SRDs, Self-Retracting Devices) Nano-Lok ta' 3M™ DBI-SALA®. In-Nano-Lok SRDs huma Linji tas-Salvataġġ biċ-Ċinturin tas-Sikurezza (A) imkebbja madwar drum b'Assorbitur tal-Energija (B) in-line li jingibed lura f'Qafas tan-Nylon (C). Swivel Eye (D) fuq in-naħa ta' fuq tal-Qafas jippermetti t-twaħħil ma' punt ta' konnessjoni tal-ankraġġ ma' Carabiner (E), jew l-immuntar fuq l-Irbit tas-Sikurezza li jkopri l-Gisem Kollu b'Interfaċċja tal-Irbit tas-Sikurezza (F). Figura 1 tidentifika l-mudelli Nano-Lok disponibbli u l-konfigurazzjonijiet tal-konnettur tagħhom. Ara Tabella 1 għal Nano-Lok SRD u l-ispeċifikazzjonijiet tal-konnettur.

Tabella 1 – Speċifikazzjonijiet

Speċifikazzjonijiet tal-Komponenti:

Oqsfa tal-SRL	Nylon
Drum	Nylon
Komponenti Interni	Azzar Inossidabbli, Aluminju
Linja tas-Salvataġġ biċ-Ċinturin tas-Sikurezza	Dyneema Polyester
Assorbitur tal-Energija	Cover: Nitrile Rubber, Ċinturin tas-Sikurezza: Polyester, Fjata: Fajt tal-Polyester jew Nylon
Tornikett	Azzar Indurat biż-Żingu

Speċifikazzjonijiet tal-Konnettur:

	Deskrizzjoni	Materjal	Gate Opening (Daħla tal-Bieba)	Gate Strength (Sahħa tal-Bieba)	Reżistenza għat-Tensjoni
①	Swivel Eye	Azzar	22.35 mm (0.88 pulzier) dijametru ta' ġewwa	X	22.2 kN (5000 libbra)
②	Carabiner	Aluminju	19 mm (3/4 pulzier)	16 kN (3600 libbra)	22.2 kN (5000 libbra)
③	Carabiner	Azzar	19 mm (3/4 pulzier)	16 kN (3600 libbra)	22.2 kN (5000 libbra)
④	Interfaċċja ta' SRD Wiehed	Azzar	51 mm (2 pulzier)	16 kN (3600 libbra)	22.2 kN (5000 libbra)
⑤	Interfaċċja ta' Żewġ SRDs	Inserzjoni tal-Azzar bin-Nylon	19 mm (3/4 pulzier)	16 kN (3,600 libbra)	22.2 kN (5000 libbra)
⑥	Carabiner	Aluminju, Azzar	56 mm (2.19 pulzier)	16 kN (3600 libbra)	22.2 kN (5000 libbra)
⑦	Carabiner	Aluminju	19 mm (3/4 pulzier)	16 kN (3600 libbra)	22.2 kN (5000 libbra)
⑧	Rebar Hook (Ganċ tat-tip Rebar)	Aluminju	57 mm (2-1/4 pulzier)	16 kN (3600 libbra)	22.2 kN (5000 libbra)
⑨	Rebar Hook (Ganċ tat-tip Rebar)	Aluminju	63 mm (2-1/2 pulzier)	16 kN (3600 libbra)	22.2 kN (5000 libbra)
⑩	Carabiner	Aluminju	52 mm (2 pulzier)	16 kN (3600 libbra)	22.2 kN (5000 libbra)
⑪	Rebar Hook (Ganċ tat-tip Rebar)	Aluminju, Azzar	63 mm (2-1/2 pulzier)	16 kN (3600 libbra)	22.2 kN (5000 libbra)
⑫	Carabiner	Azzar	19 mm (3/4 pulzier)	16 kN (3600 libbra)	22.2 kN (5000 libbra)
⑬	Rebar Hook (Ganċ tat-tip Rebar)	Aluminju	57 mm (2-1/4 pulzier)	16 kN (3600 libbra)	22.2 kN (5000 libbra)
⑭	Snap Hook (Ganċ li Jfaqqg')	Azzar	19 mm (3/4 pulzier)	16 kN (3,600 libbra)	22.2 kN (5000 libbra)

Speċifikazzjonijiet tal-Prestazzjoni:

Speċifikazzjonijiet tal-SRL (Vertikali)	Mudelli CE	
Medda tal-Kapaċità	59 kg - 100 kg (130 libbra - 220 libbra)	100 kg - 140 kg (220 libbra - 310 libbra)
Forza Massima tat-Twaqqif ta' Waqgħa mill-Għoli	6 kN (1350 libbra)	6 kN (1350 libbra)
Forza Medja tat-Twaqqif ta' Waqgħa mill-Għoli	4 kN (900 libbra)	4 kN (900 libbra)
Distanza Massima tat-Twaqqif Iddikkjarat¹	0.61 m (24 pulzier)	0.61 m (24 pulzier)
Spazju għall-Waqgħa Minimu Mehtieg¹	1.5 m (5 piedi)	1.8 m (5.8 piedi)
Waqgħa Mingħajr Kontroll (Free Fall) Massima²	1.5 m (5 piedi)	1.5 m (5 piedi)

1 - Jassumi li l-SRL huwa mmuntat direttament fuq ('il fuq mil-livell tar-ras) l-utent aħħari.

2 - Imkejja mid-D-Ring tal-utent sas-superfiċje fejn wiehed jimxi/jahdem. Irreferi għac-Cart(ijiet) tal-Ispazju għall-Waqgħa għad-dettalji.

1.0 APPLIKAZZJONIJIET

- 1.1 SKOP:** L-Apparati li Jingibdu Lura Fuqhom Infushom (SRDs, Self-Retracting Devices) huma ddisinjati biex ikunu komponent f'sistema ta' protezzjoni personali ghat-twaqqif ta' waqgħa mill-gholi (PFAS, personal fall arrest system). Figura 1 turi l-SRDs koperti minn dan il-manwal tal-istruzzjoni. Jistgħu jiġu użati fil-biċċa l-kbira tas-sitwazzjonijiet fejn il-kombinazzjoni tal-mobilità tal-haddiem u l-protezzjoni minn waqgħa mill-gholi tkun meħtieġa (jiġifieri xogħol ta' spezzjoni, kostruzzjoni generali, xogħol ta' manutenzjoni, produzzjoni taż-żejt, xogħol fi spazju żgħir, eċċ).
- 1.2 STANDARDS:** L-SRD tiegħek huwa konformi mal-istandard(s) nazzjonali jew reġjonali identifikati fuq il-paġna ta' quddiem ta' dawn l-istruzzjonijiet. Irreferi għar-reqwiżiti lokali, tal-istat, u federali (OSHA, Occupational Safety and Health Administration - Amministrazzjoni tas-Sigurtà u s-Saħħa fuq il-Post tax-Xogħol) li jirregolaw is-sigurtà fuq il-post tax-xogħol għal aktar informazzjoni dwar il-Protezzjoni Personali Kontra Waqgħa mill-Għoli.
- 1.3 TAHRIG:** Dan it-tagħmir huwa intenzjonat li jintuża minn persuni mharrġa fl-applikazzjoni korretta u l-użu tiegħu. Hija responsabbiltà tal-utenti li jassiguraw li huma familjari ma' dawn l-istruzzjonijiet u li huma mharrġa fil-harsien u l-użu korretti kif suppost ta' dan it-tagħmir. L-utenti għandhom ukoll ikunu konxji mill-karatteristiċi operazzjonali, il-limiti tal-applikazzjoni, u l-konsegwenzi ta' użu mhux xieraq.
- 1.4 LIMITAZZJONIJIET:** Dejjem ikkunsidra l-limitazzjonijiet li ġejjin meta tkun qed tinstalla jew tuża dan it-tagħmir:

- **Kapaċità:** L-SRDs qegħdin għall-użu minn persuna waħda li jkollha piż totali (ilbies, għodda, eċċ.) li jilhaq *il-Firxa ta' Kapaċità* speċifikata f'Tabella 1. Żgura li l-komponenti kollha fis-sistema tiegħek huma kklassifikati għal kapaċità xierqa għall-applikazzjoni tiegħek.
 - **Ankragġ: L-istruttura tal-ankragġ għall-SRD trid tkun kapaċi tiffila għal tagħbijiet li jaslu sa 12 kN (2,697 libbra).** L-apparati ta' ankragġ iridu jkunu konformi ma' EN795 jew ma' standards tal-konnettur tal-ankragġ oħra li huma applikabbli.
 - **Velocità biex Jillokkja:** Għandhom jiġu evitati sitwazzjonijiet li ma jagħtux lok għall-passaġġ ta' waqgħa mingħajr ostakli. Hiedma fi spazji magħluqa jew doġoq, jew fuq wiċċ imzerzaq, tista' ttellef milli l-gisem jilhaq biżżejjed velocità biex iġġieghel lill-SRD jillokkja jekk ikun hemm waqgħa. Hiedma fuq materjali li jitharrku bil-mod, bħalma hu ramel jew qamħ, tista' ttellef milli jkun hemm zieda tal-velocità biex iġġieghel lill-SRD jillokkja. Huwa meħtieġ passaġġ miftuħ biex jiġi assigurat l-illokkjar pożittiv tal-SRD.
 - **Waqgħa Mingħajr Kontroll (Free Fall):** Meta jkunu ankrati fuq ras dak li jkun, l-SRDs jillimitaw id-distanza ta' waqgħa mingħajr kontroll (free fall) għal 0.6 m (2 piedi)¹. Biex wiehed jevita li d-distanzi tal-waqgħa jżiedu, l-SRD għandu jiġi ankrat eżatt fuq il-livell ta' fejn isir ix-xogħol. M'għandek qatt tqabbad l-SRD ma' punt ta' ankragġ li johloq waqgħa mingħajr kontroll ta' aktar minn 1.5 m (5 piedi). Evita li taħdem fejn il-linja tas-salvataġġ tiegħek tista' taħbat ma' jew tithabbell ma' linja tas-salvataġġ ta' haddiem ieħor. Evita li taħdem f'post fejn jista' jaqa' oġġett u jahbat mal-linja tas-salvataġġ, li jwassel għal telf ta' bilanċ jew ħsara lil-linja tas-salvataġġ. Thallix li l-linja tas-salvataġġ tgħaddi taħt id-dirgħajn jew bejn is-saqajn. M'għandek qatt tikklampja, tghaqqad, jew tipprevjeni lil-linja tas-salvataġġ milli tingibed lura jew tkun stirata. Evita li jkun hemm partijiet imdendla fil-habel. **M'għandekx ittawwal l-SRDs billi tqabbad lanyard jew komponent simili mingħajr ma tikkonsulta lil 3M.**
 - **Waqgħat bi Tbandil (Swing Falls):** Il-Waqgħat bi Tbandil (Swing Falls) isehhu meta l-punt ta' ankragġ ma jkunx direttament fuq il-punt fejn isseħħ il-waqgħa. Il-forza tad-daqqa ma' oġġett waqt waqgħa bi tbandil (swing fall) tista' tikkawża korrimment serju (ara Figura 3A). Imminimizza l-waqgħat bi tbandil (swing falls) billi taħdem kemm jista' jkun direttament taħt il-punt ta' ankragġ (Figura 3B). Jekk taħdem 'il bogħod mill-punt ta' ankragġ (Figura 3C) ser tkun qed iżżid l-impatt ta' waqgħa bi tbandil (swing fall) u żżid l-Ispazju għall-Waqgħa (FC, Fall Clearance) meħtieġ.
 - **Spazju għall-Waqgħa (Fall Clearance):** Figura 3B turi l-Kalkolu tal-Ispazju għall-Waqgħa (Fall Clearance). L-Ispazju għall-Waqgħa (FC, Fall Clearance) hija t-total ta' Waqgħa Mingħajr Kontroll (Free Fall), Distanza tad-Decellerazzjoni (DD, Deceleration Distance) u Fattur tas-Sigurtà (SF, Safety Factor): $FC = FF + DD + SF$. Id-D-Ring Slide u l-Harness Stretch (Kemm jingibed l-Irbit tas-Sikurezza) huma inkluzi fil-Fattur tas-Sigurtà. Il-valuri tal-Ispazju għall-Waqgħa (Fall Clearance) ġew ikkalkulati u huma rrapprezentati f'ċart f'Figura 4. Intuża Fattur tas-Sigurtà ta' 1 m (3.28 piedi) għall-valuri kollha f'Figura 4.
- Figura 4 turi l-Ispazju għall-Waqgħa (FC, Fall Clearance) ibbażat fuq id-distanza Orizzontali (H, Horizontal) u Vertikali (V, Vertical) bejn il-konnessjoni tas-SRD dorsali u l-punt ta' ankragġ. Kull linja tal-grilja vertikali tirrappreżenta d-distanza orizzontali mill-punt ta' ankragġ. Il-valur tal-Ispazju għall-Waqgħa (FC, Fall Clearance) huwa ddeterminat miż-zona (linji parabolici) fejn il-linji tal-grilja Orizzontali (H, Horizontal) u Vertikali (V, Vertical) jaqsmu 'l xulxin. L-eżempju f'Figura 4 juri kif wiehed għandu jiddetermina l-valur tal-Ispazju għall-Waqgħa (Fall Clearance) meħtieġ għad-distanzi Vertikali (V, Vertical) u Orizzontali (H, Horizontal) iddikjarati.

Punti ta' Ankragġ Varjabbli: L-Ispazji għall-Waqgħa (Fall Clearances) f'Figura 4 huma bbażati fuq punt ta' ankragġ sod u li ma jitharrixx. Jekk isir ankragġ ma' Linja tas-Salvataġġ Orizzontali (HLL, Horizontal Lifeline) jew punt ta' ankragġ li jista' jiċċaqlaq, jiżzerzaq, jew jiddeforma matul waqgħa mill-gholi, il-valuri tal-Ispazju għall-Waqgħa (Fall Clearance) ta' Figura 4 ma jkunux japplikaw. Irreferi għall-istruzzjonijiet għall-HLL jew għall-ankragġ għal aktar dettalji rigward l-ispazji għall-waqgħa meħtieġa, id-deflessjonijiet, u/jew deformazzjoni.

Meta Wiehed Joqgħod Għarkopptejh jew Kokka: Iċ-Ċarts tal-Ispazju għall-Waqgħa f'Figura 4 qed jassumu li l-haddiem ikun f'pożizzjoni bilwieqfa. Jekk il-haddiem ikun qiegħed għarkopptejh jew kokka, huma meħtieġa 0.9 m (3 piedi) aktar ta' Spazju għall-Waqgħa (Fall Clearance).

M'għandek qatt tankra taħt is-saqajn: M'għandek qatt tqabbad ma' punt ta' ankragġ taħt saqajk.

- **Perikli:** L-użu ta' dan it-tagħmir f'żoni fejn hemm perikli fil-madwar jista' jkun li jeżiġi prekawzjonijiet addizzjonali biex titnaqqas il-possibilità ta' korrimment lill-utent jew ħsara lit-tagħmir. Il-perikli jistgħu jinkludu, iżda mhumiex limitati għal: ħafna sħana, kimiċi kawstici, ambjenti korrużivi, linji tal-elettriku b'vultaġġ għoli, gassijiet splussivi jew tossiċi, makkinarju li jitharrek, jew materjali li jkunu aktar 'il fuq li jistgħu jaqgħu u jagħmlu kuntatt mal-utent jew mas-sistema ta' twaqqif ta' waqgħa mill-gholi. Evita li taħdem fejn il-linja tas-salvataġġ tiegħek tista' taħbat ma' jew tithabbell ma' linja tas-salvataġġ ta' haddiem ieħor. Evita li taħdem f'post fejn jista' jaqa' oġġett u jahbat mal-linja tas-salvataġġ; li jwassel għal telf ta' bilanċ jew ħsara lil-linja tas-salvataġġ. Thallix li l-linja tas-salvataġġ tgħaddi taħt id-dirgħajn jew bejn is-saqajn.
- **Truf bil-Ponta jew li Jaqtgħu:** Truf bil-ponta jew li jaqtgħu li tista' tiġi f'kuntatt magħhom il-linja tas-salvataġġ ta' SRD matul waqgħa jrid ikollhom radjus minimu ta' 0.3 cm (0.125 pulzjeri). Fejn ma jkunx jista' jiġi evitat kuntatt ma' tarf bil-ponta jew li jaqta', għatti t-tarf b'materjal protettiv.

¹ **Waqgħa Mingħajr Kontroll (Free Fall):** L-applikazzjoni kif suppost tal-SRD, u jekk l-utent ikun qed jaħdem eżatt taħt il-punt ta' ankragġ u ma jkunx hemm partijiet tal-habel imdendla fil-linja tas-salvataġġ, telimina l-Waqgħa Mingħajr Kontroll (Free Fall) Ara Figura 4 għal postijiet tal-ankragġ aċċettabbli.

2.0 Użu tas-Sistema

- 2.1 PJAN TA' PROTEZZJONI KONTRA WAQGHHA MILL-GHOLI U TA' SALVATAĠĠ:** Min iħaddem irid ikollu Pjan ta' Protezzjoni Kontra Waqgħha mill-Għoli u ta' Salvataġġ. Il-pjan għandu jipprovdi l-linji gwida u l-ħtiġijiet għal programm immanigġjat ta' min iħaddem għal protezzjoni kontra waqgħha mill-għoli, li jinkludu l-politiki, id-dmijiet u t-taħriġ; proċeduri ta' protezzjoni kontra waqgħha mill-għoli; kif jiġu eliminati u kkontrollati l-perikli ta' waqgħha mill-għoli; proċeduri ta' salvataġġ; investigazzjonijiet dwar l-incidenti; u l-evalwazzjoni tal-effettività tal-programm.
- 2.2 FREKWENZA TA' SPEZZJONI:** Is-SRDs għandhom jiġu spezzjonati mill-persuna awtorizzata¹ jew mill-ħaddiema ta' salvataġġ² qabel kull użu (Ara Tabella 3). Barra minn hekk, l-ispezzjonijiet għandhom isiru minn persuna kompetenti³ li ma tkunx l-utent. Kundizzjonijiet ta' xogħol estremi (ambjenti ħarxa, użu fit-tul, eċċ.) jista' jkun li jeħtieġu żieda fil-frekwenza ta' spezzjonijiet minn persuna kompetenti. Il-persuna kompetenti għandha tuża *I-Iskeda tal-Ispezzjoni (Tabella 2)* biex tiddetermina kemm għandu jkun hemm intervalli bejn l-ispezzjonijiet. Il-proċeduri ta' spezzjoni huma spjegati fir-*Registru ta' Spezzjoni u Manutenzjoni (Tabella 3)*. Ir-riżultati tal-ispezzjoni minn Persuna Kompetenti għandhom jiġu rrekordjati fir-*Registru ta' Spezzjoni u Manutenzjoni* jew irrekordjati bis-sistema ta' Identifikazzjoni bil-Frekwenza tar-Radju (RFID, Radio Frequency Identification) (ara *Sezzjoni 5*).
- 2.3 OPERAZZJONIJIET NORMALI:** Operazzjoni normali tippermetti lil-linja tas-salvataġġ titwal u tingħbed lura mingħajr ma tiegaf jew tiddendel hekk kif il-ħaddiem ikun qed jiċċaqlaq b'velocitajiet normali. Jekk isseħħ waqgħha mill-għoli, tiġi attivata sistema ta' sospensjoni li tipperċipixxi l-velocità, u b'hekk twaqqaf il-waqgħha u tassorbi ħafna mill-enerġija li tkun inholqot. Għandhom jiġu evitati movimenti għal għarrieda jew rapidi matul operazzjoni tax-xogħol normali, għax dan jista' jikkawża l-SRD biex jillokkja. Għal waqgħat li jseħħu qrib il-punt fejn tiegaf topera l-linja tas-salvataġġ, giet inkorporata sistema tar-riżerva tal-linja tas-salvataġġ jew Assorbitor tal-Enerġija biex jitnaqqsu l-forzi ta' twaqqif ta' waqgħha mill-għoli.
- 2.4 APPOĠĠ GĦALL-ĠISEM:** Irid jintuża Irbit tas-Sikurezza li Jkopi l-Ġisem Shiħ ma' Apparati li Jingħbed Lura Fuqu Nnifsu. Il-punt ta' konnessjoni tal-irbit tas-sikurezza jrid ikun 'il fuq miċ-ċentru tal-gravità tal-utent. Mhux awtorizzat li jintuża ċinturin tal-ġisem ma' Apparati li Jingħbed Lura Fuqu Nnifsu. Jekk isseħħ waqgħha meta tkun qed tuża ċ-inturin tal-ġisem tista' tikkawża rilaxx involontarju jew trawma fiżika minħabba appoġġ tal-ġisem mhux adattat.
- 2.5 KOMPATIBILITÀ TAL-KOMPONENTI:** Jekk mhux notifikat mod ieħor, it-tagħmir ta' 3M huwa maħsub għall-użu ma' komponenti u subsistemi approvati ta' 3M biss. Sostituzzjonijiet jew tibdil li jsir b'komponenti jew subsistemi mhux approvati jistgħu jipperikolaw il-kompatibbiltà tat-tagħmir u jistgħu jaffettwaw is-sigurtà u l-affidabbiltà tas-sistema shiħa.
- 2.6 KOMPATIBILITÀ TAL-KONNETTURI:** Il-konnetturi huma kkunsidrati li huma kompatibbli mal-elementi ta' konnessjoni meta jkunu ġew iddisinjati li jaħdmu flimkien, b'mod li l-qisien u l-forom tagħhom ma jikkawżawx lill-gate mechanisms (mekkanizmi ta' bibien) tagħhom li jinfethu accidentalment, irrispettivament minn kif jorjentaw ruħhom. Ikkuntattja lil 3M jekk ikollok xi mistoqsijiet dwar kompatibbiltà. Il-konnetturi (gancijiet, carabiners, u D-Rings) għandhom ikunu kapaċi jirreżistu tal-anqas 22.2 kN (5,000 libbra). Il-konnetturi jridu jkunu kompatibbli mal-komponenti tas-sistema ta' ankraġġ jew ma' dawk ta' sistemi oħra. Tużax tagħmir li mhuwiex kompatibbli. Il-konnetturi li mhuwiex kompatibbli jistgħu jinħallu b'mod mhux intenzjonat (Ara Figura 5). Il-konnetturi għandhom ikunu kompatibbli fil-qies, forma, u saħħa. Huma meħtieġa snap hooks u carabiners li jingħalqu waħedhom (self-locking). Jekk l-element ta' konnessjoni li miegħu jkun marbut snap hook jew carabiner, ikun ta' qies zġħir jew ikollu forma irregolari, tista' tinholoq sitwazzjoni li fiha l-element ta' konnessjoni japplika forza fuq il-bieba tas-snap hook jew carabiner (A). Din il-forza tista' tikkawża li tinfetaħ il-bieba (B), u tippermetti li s-snap hook jew carabiner jinħallu mill-punt tal-konnessjoni (C).
- 2.7 BIEX TAGĦMEL KONNESSJONIJIET:** Snap hooks u carabiners użati ma' dan it-tagħmir għandhom ikunu tat-tip self-locking (jingħalqu waħedhom). Żgura li l-konnessjonijiet kollha huma kompatibbli fil-qies, forma u saħħa. Tużax tagħmir li mhuwiex kompatibbli. Żgura li l-konnetturi kollha huma kompletament magħluqin u msakkrin. Il-konnetturi ta' 3M (snap hooks u carabiners) huma ddisinjati biex jintużaw biss kif speċifikat fl-istruzzjonijiet tal-prodott għall-utent ta' kull wieħed minnhom. Ara Figura 6 għal eżempji ta' konnessjonijiet mhux xierqa.

Tqabbad snap hooks u carabiners:

- Ma' D-ring li għandu konnettur ieħor mqabbd miegħu.
- B'mod li jirriżulta f'tagħbija fuq il-bieba. Throat snap hooks kbar m'għandhomx jiġu kkonnettjati ma' D-rings ta' qies standard jew oġġetti simili li jwassal għal tagħbija fuq il-bieba (gate) jekk il-ganċ jew id-D-ring jitmajlu jew iduru, sakemm is-snap hook użata ma tkunx mghammra b'bieba ta' 16 kN (3,600 libbra).
- F'rabta falza (false engagement), fejn id-daqs u l-forma tal-konnetturi pariġġhom ma jkunux kompatibbli, u mingħajr konferma viżiva, il-konnetturi jkunu jidhru marbutin għal kollox.
- Ma' xulxin.
- Direttament maċ-ċinturin tas-sikurezza jew il-habel tal-lanyard jew it-tie-back (sakemm l-istruzzjonijiet tal-manifattur kemm għal-lanyard kif ukoll għall-konnettur ma jippermettux speċifikament tali konnessjoni).
- Ma' kwalunkwe oġġett li hu f'format jew għandu qisien b'mod li s-snap hook jew il-carabiner ma jingħalqux u ma jissakkrux, jew jekk jista' jsir roll-out.
- B'mod li ma jhallix lill-konnettur jallinja tajjeb meta jkun taħt tagħbija.

Tabella 2 – Skeda tal-Ispezzjoni

Tip ta' Użu	Eżempji tal-Applikazzjoni	Kundizzjonijiet tal-Użu	Frekwenza tal-Ispezzjoni
			Persuna Kompetenti
Mhux Frekwenti sa Ħafifa	Salvataġġ u Spazju Magħluq, Manutenzjoni tal-Fabbrika	Kundizzjonijiet Tajbin għall-Ħażna, Użu Ġewwa jew Użu Barra Mhux Frekwenti, Temperatura Ambjentali, Ambjenti Nodfa	Anwali
Moderata sa Tqila	Trasport, Bini Residenzjali, Utilitajiet, Maħżen	Kundizzjonijiet Xierqa għall-Ħażna, Użu Ġewwa u Użu Barra fit-Tul, it-Temperaturi Kollha, Ambjenti Nodfa jew bit-Trab	Kull Sitt Xhur jew Darba fis-Sena
Severa sa Kontinwa	Bini Kummerċjali, Żejt u Gass, Estrazzjoni mill-Minjieri	Kundizzjonijiet Ħarxa għall-Ħażna, Użu Barra fuq Perjodu Twil ta' Żmien jew Kontinwu, it-Temperaturi Kollha, Ambjenti Maħmuġa	Darba kull Tliet Xhur għal Darba kull Sitt Xhur

1 Persuna Awtorizzata: Persuna assenjata minn min iħaddem biex twettaq dmijiet f'post fejn il-persuna se tkun esposta għal periklu ta' waqgħha mill-għoli.
2 Ħaddiem ta' salvataġġ: Persuna jew persuni, minbarra l-individwu li jkun qed jiġi salvat, li jaġixxu biex iwettqu salvataġġ assistit mill-operazzjoni ta' sistema tas-salvataġġ.
3 Persuna Kompetenti: Individwu mqabbd minn min iħaddem biex ikun responsabbli għas-superviżjoni immedjata, l-implimentazzjoni, u l-monitoraġġ tal-programm tal-protezzjoni minn waqgħha mill-għoli amministrat minn min iħaddem, li, permezz ta' taħriġ u għarfien, huwa kapaċi li jidentifika, jivvaluta, u jindirizza perikli eżistenti jew potenzjali ta' waqgħha mill-għoli, u li għandu l-awtorizzazzjoni ta' min iħaddem li jiehu azzjoni korrettiva fil-pront fir-rigward ta' tali perikli.

3.0 Installazzjoni

- 3.1 IPPJANAR:** Ippjana s-sistema tiegħek għall-protezzjoni kontra l-waqgħat qabel tibda x-xogħol tiegħek. Ikkunsidra l-fatturi kollha li jistgħu jaffettwaw is-sigurtà tiegħek qabel, waqt u wara waqgħa. Ikkunsidra l-ħtiġijiet u l-limitazzjonijiet kollha kif definiti f'Sezzjoni 2.

F'bosta applikazzjonijiet, in-Nano-Lok SRD jista' jiġi mqabbad mal-ankraġġ jew mal-post Dorsali tal-irbit tas-sikurezza. Iż-żewġ orjentazzjonijiet huma permessi, ħlief kif deskritt f'Sezzjoni 4.

- 3.2 ANKRAĠĠ:** Figura 7 turi konnessjonijiet tal-ankraġġ tal-SRD tipiċi. Aghżel post ta' ankraġġ b'riskji minimi ta' waqgħat liberi u waqgħat bi tbandil (ara Sezzjoni 1). Aghżel punt ta' ankraġġ rigidu kapaci li jiflaħ it-tagħbijiet statiči speċifikati f'Sezzjoni 1. Fejn l-ankraġġ 'il fuq mill-livell tar-ras ma jkunx fattibbli, in-Nano-Lok SRDs jista' jiġu marbuta b'mod sigur ma' punt tal-ankraġġ taħt il-livell tad-D-Ring Dorsali tal-utent. Għal utenti li jiżnu sa 140 kg (310 libbri), il-punt tal-ankraġġ ma jridx ikun aktar minn 5 piedi (1.5 m) taħt id-D-Ring Dorsali.

- 3.3 IMMUNTAR TAL-IRBIT TAS-SIKUREZZA:** Xi mudelli tal-SRD jinkludu Interfaċċja tal-Irbit tas-Sikurezza ta' SRD Wieħed jew Żewġ SRDs għall-immuntar tal-SRD(s) fuq Irbit tas-Sikurezza li Jkopri l-Gisem Shiħ ezatt taħt id-D-Ring Dorsali:

Xi Rbit tas-Sikurezza li Jkopri l-Gisem Shiħ huma mġhammra b'Link tal-SRD Personali (PSRL Link) li jikkombina d-D-Ring Dorsali mal-elementi tal-irbit għal Apparati li Jingibdu Lura Fuqhom Infushom li Jkunu Mmuntati fuq l-Irbit tas-Sikurezza (Figura 8). Huwa wkoll aċċettabbli li wieħed iqabba l-SRD mad-D-Ring Dorsali tal-Irbit tas-Sikurezza b'Carabiner jew Snaħhook.

- **Immuntar ta' SRD Wieħed fuq l-Irbit tas-Sikurezza:** Meta l-mobilità tal-ħaddiem tkun kritika, l-Interfaċċja tal-SRD tal-Irbit tas-Sikurezza tista' tintuża biex jiġi mmuntat l-SRD fuq in-naħa ta' wara tal-Irbit tas-Sikurezza li Jkopri l-Gisem Shiħ ezatt taħt id-D-Ring Dorsali (ara Figura 9). Il-ħaddiem jista' mbagħad jaqbad ma' diversi punti tal-ankraġġ li jinsabu fuq il-post permezz tat-Tarf tal-Lanyard tal-SRD mingħajr ma jkollu għalfejn joqgħod ripetutament jinstalla l-SRD mill-ġdid. Biex timmonta l-SRD fuq Irbit tas-Sikurezza li Jkopri l-Gisem Shiħ mal-Interfaċċja tal-SRD tal-Irbit tas-Sikurezza:
 1. **Holl iċ-Ċinturin tas-Sikurezza tal-Irbit tas-Sikurezza:** Iġbed fuq iċ-Ċineg taċ-Ċinturin tas-Sikurezza (A) minn fejn jgħaddu mill-parti t'isfel tad-D-Ring Dorsali (B) sakemm ikun hemm biżżejjed spazju biex jgħaddi l-SRD tal-Interfaċċja tal-Irbit tas-Sikurezza minn bejn iċ-Ċineg taċ-Ċinturin tas-Sikurezza u l-Pad tad-D-Ring.
 2. **Iftaħ l-Interfaċċja tal-Irbit tas-Sikurezza:** Imbotta l-Buttuni li Jillockjaw (C) 'l isfel fl-istess ħin u oħroġ il-Pin li Jillockja (D) 'l barra.
 3. **Ippożizzjona l-SRD fuq l-Interfaċċja tal-Irbit tas-Sikurezza:** Daħħal il-bieba miftuħa fuq l-Interfaċċja tal-Irbit tas-Sikurezza minn ġos-Swivel Eye fuq l-SRD (E). Għaddi l-Interfaċċja minn ġos-Swivel Eyes sabiex l-SRD ikun imdendel mis-sinla tal-Interfaċċja tal-Irbit tas-Sikurezza (F).
 4. **Ippożizzjona l-Interfaċċja tal-Irbit tas-Sikurezza madwar iċ-Ċineg taċ-Ċinturin tas-Sikurezza:** Ippożizzjona l-bieba miftuħa tal-Interfaċċja tal-Irbit tas-Sikurezza madwar iċ-Ċineg taċ-Ċinturin tas-Sikurezza maħlula (A).
 5. **Aghlaq l-Interfaċċja tal-Irbit tas-Sikurezza:** Imbotta l-Pin li Jillockja tal-Interfaċċja tal-Irbit tas-Sikurezza (D) minn ġoċ-Ċineg taċ-Ċinturin tas-Sikurezza (A) maħlula sakemm jillockja f'postu fit-tarf oppost tal-Interfaċċja tal-Irbit tas-Sikurezza. Iġbed lura iċ-Ċineg taċ-Ċinturin tas-Sikurezza minn ġoċ-D-Ring Dorsali u l-Pad ta' Wara biex tqiegħed l-Interfaċċja tal-Irbit tas-Sikurezza b'mod sigur.

L-Istrixxa Hamra fuq it-tarf tal-pum tal-Pin li Jillockja tal-Interfaċċja tal-Irbit tas-Sikurezza tkun esposta jekk l-Interfaċċja tal-Irbit tas-Sikurezza ma tkunx imsakkra. Biex tevita li l-konnessjoni tinħall b'mod aċċidentali, żgura li l-Interfaċċja tal-Irbit tas-Sikurezza tkun illockjata qabel ma tuża l-Irbit tas-Sikurezza u l-SRD imwaħħal. In-nuqqas li jsir dan jista' jirriżulta f'korrimment jew mewt.

- **Immuntar ta' Żewġ SRDs tal-Irbit tas-Sikurezza:** F'applikazzjonijiet tat-tixbit fejn ikun meħtieġ 100% irbit b'għoqda, l-SRD tal-Interfaċċja tal-Irbit tas-Sikurezza jista' jintuża biex jiġu mmuntati żewġ SRDs f'idejn xulxin fuq wara tal-Irbit tas-Sikurezza li Jkopri l-Gisem Shiħ ezatt taħt id-D-Ring Dorsali (ara Figura 9). Biex timmonta żewġ SRDs fuq Irbit tas-Sikurezza li Jkopri l-Gisem Shiħ mal-SRD tal-Interfaċċja tal-Irbit tas-Sikurezza:
 1. **Holl iċ-Ċinturin tas-Sikurezza tal-Irbit tas-Sikurezza:** Iġbed fuq iċ-Ċineg taċ-Ċinturin tas-Sikurezza (A) minn fejn jgħaddu mill-parti t'isfel tad-D-Ring Dorsali (B) sakemm ikun hemm biżżejjed spazju biex tgħaddi l-SRD tal-Interfaċċja tal-Irbit tas-Sikurezza minn bejn iċ-Ċineg taċ-Ċinturin tas-Sikurezza u l-Pad tad-D-Ring.
 2. **Iftaħ l-Interfaċċja tal-Irbit tas-Sikurezza:** Imbotta l-Buttuni li Jillockjaw (C) 'l isfel fl-istess ħin u oħroġ il-Pin li Jillockja (D) 'l barra.
 3. **Ippożizzjona l-SRDs fuq l-Interfaċċja tal-Irbit tas-Sikurezza:** Daħħal il-bieba miftuħa fuq l-Interfaċċja tal-Irbit tas-Sikurezza minn ġos-Swivel Eye fuq kull SRD (E). Għaddi l-Interfaċċja minn ġos-Swivel Eyes sabiex l-SRDs ikunu mdendla mis-sinla tal-Interfaċċja tal-Irbit tas-Sikurezza (F).
 4. **Ippożizzjona l-Interfaċċja tal-Irbit tas-Sikurezza madwar iċ-Ċineg taċ-Ċinturin tas-Sikurezza:** Ippożizzjona l-bieba miftuħa tal-Interfaċċja tal-Irbit tas-Sikurezza madwar iċ-Ċineg taċ-Ċinturin tas-Sikurezza maħlula (A).
 5. **Aghlaq l-Interfaċċja tal-Irbit tas-Sikurezza:** Imbotta l-Pin li Jillockja tal-Interfaċċja tal-Irbit tas-Sikurezza (D) minn ġoċ-Ċineg taċ-Ċinturin tas-Sikurezza (A) maħlula sakemm jillockja f'postu fit-tarf oppost tal-Interfaċċja tal-Irbit tas-Sikurezza. Iġbed lura iċ-Ċineg taċ-Ċinturin tas-Sikurezza minn ġoċ-D-Ring Dorsali u l-Pad ta' Wara biex tqiegħed l-Interfaċċja tal-Irbit tas-Sikurezza b'mod sigur.

L-Istrixxa Hamra fuq it-tarf tal-pum tal-Pin li Jillockja tal-Interfaċċja tal-Irbit tas-Sikurezza tkun esposta jekk l-Interfaċċja tal-Irbit tas-Sikurezza ma tkunx imsakkra. Biex tevita li l-konnessjoni tinħall b'mod aċċidentali, żgura li l-Interfaċċja tal-Irbit tas-Sikurezza tkun illockjata qabel ma tuża l-Irbit tas-Sikurezza u l-SRD imwaħħal. In-nuqqas li jsir dan jista' jirriżulta f'korrimment jew mewt.

- **Immuntar ta' Żewġ SRDs Fissi fuq id-D-Ring tal-Irbit tas-Sikurezza:** Irbit tas-Sikurezza li Jkopru l-Gisem Shiħ tat-Tip ExoFit Aktar Qodma jehtieġu SRD tal-Interfaċċja tal-Irbit tas-Sikurezza speċjali biex jiġu mmuntati żewġ SRDs fuq wara tal-irbit tas-sikurezza eżatt taħt id-D-Ring Dorsali. Biex timmonta żewġ SRDs fuq Irbit tas-Sikurezza li Jkopru l-Gisem Shiħ tat-Tip ExoFit b'SRD Fiss fuq id-D-Ring tal-Interfaċċja tal-Irbit tas-Sikurezza (Figura 10):
 1. **Holl iċ-Ċinturin tas-Sikurezza tal-Irbit tas-Sikurezza:** Iġbed fuq iċ-Ċineg taċ-Ċinturin tas-Sikurezza (A) minn fejn jgħaddu mill-parti t'isfel tad-D-Ring Dorsali (B) sakemm ikun hemm biżżejjed spazju biex jgħaddi l-SRD tal-Interfaċċja tal-Irbit tas-Sikurezza minn bejn iċ-Ċineg taċ-Ċinturin tas-Sikurezza u l-Pad tad-D-Ring.
 2. **Iftaħ l-Interfaċċja tal-Irbit tas-Sikurezza:** Bl-SRD tal-Interfaċċja tal-Irbit tas-Sikurezza orjentat kif inhu muri fl-istampa, imbotta l-Locking Sleeve (C) lejn il-lemin u mbagħad dawwar lejn il-lemin biex tiftaħ il-Bieba (D). Niżżel il-Bieba (D) 'l isfel biex tinfetaħ.
 3. **Għaddi l-ewwel SRD fuq l-Interfaċċja tal-Irbit tas-Sikurezza:** Għaddi l-Immnieher tal-Konnettur (E) minn ġos-Swivel Eye (F) fuq l-SRD u mbagħad dawwar l-SRD għat-Tarf tal-Bieba tal-Konnettur (G). Il-Bieba tista' tingħalaq biex tħalli spazju għas-Swivel Eye bejn il-Bieba u s-Sinsla tal-Konnettur.
 4. **Ippożizzjona l-Interfaċċja tal-Irbit tas-Sikurezza madwar iċ-Ċineg taċ-Ċinturin tas-Sikurezza:** Daħħal l-Immnieher tal-Konnettur (E) wara iċ-Ċineg tas-Sikurezza (A). Dawwar il-Konnettur wara iċ-Ċineg taċ-Ċinturin tas-Sikurezza sakemm il-Konnettur ikun jiċċirkonda iċ-Ċineg taċ-Ċinturin tas-Sikurezza.
 5. **Żid it-tieni SRD fuq l-Interfaċċja tal-Irbit tas-Sikurezza:** Għaddi s-Swivel Eye (F) tal-SRD fuq l-Immnieher tal-Konnettur (E) u ppożizzjona s-Swivel Eye tal-SRD fuq it-Tarf tal-Immnieher tal-Konnettur.
 6. **Aghlaq l-Interfaċċja tal-Irbit tas-Sikurezza:** Halli l-Bieba (D) tingħalaq u l-Locking Sleeve (C) iddur lura għall-pożizzjoni msakkra. Ladarba l-Interfaċċja tal-Irbit tas-Sikurezza tkun magħluqa, iġbed lura iċ-Ċineg taċ-Ċinturin tas-Sikurezza (A) fuq id-D-Ring Dorsali biex telimina partijiet laxki fiċ-ċinturin tas-sikurezza u poġġi l-Interfaċċja tal-Irbit tas-Sikurezza f'pošta bejn iċ-Ċineg taċ-Ċinturin tas-Sikurezza u l-Pad ta' Wara.
- **3M® DBI-SALA® Twin Carabiner:** It-3M® DBI-SALA® Twin Carabiner huwa ddisinjat biex jiġu mmuntati żewġ Nano-Lok SRDs hdejn xulxin fuq il-parti ta' wara ta' Irbit tas-Sikurezza li Jkopri l-Gisem Shiħ eżatt taħt id-D-Ring Dorsali (ara Figura 12). Biex timmonta żewġ Nano-Lok SRDs fuq Irbit tas-Sikurezza li Jkopri l-Gisem Shiħ mat-Twin Carabiner:
 1. **Holl iċ-Ċinturin tas-Sikurezza tal-Irbit tas-Sikurezza:** Iġbed fuq iċ-Ċineg taċ-Ċinturin tas-Sikurezza (A) minn fejn jgħaddu mill-parti t'isfel tad-D-Ring Dorsali (B) sakemm ikun hemm biżżejjed spazju biex tghaddi l-Interfaċċja ta' Żewġ Saqajn minn bejn iċ-Ċineg taċ-Ċinturin tas-Sikurezza u l-Pad tad-D-Ring.
 2. **Iftaħ it-Twin Carabiner:** Imbotta 'l fuq fuq l-Inserzjoni tal-Konnettur (C) biex taqla' l-Klamps (D) mill-Konnettur u mbagħad tella' l-Inserzjoni tal-Konnettur 'il fuq biex tiftaħ il-Bieba. Imbotta l-Bieba (E) 'l ġewwa biex tiftaħ il-Konnettur.
 3. **Għaddi l-ewwel Nano-Lok SRD fuq it-Twin Carabiner:** Daħħal l-immnieher tal-Konnettur (F) minn ġos-Swivel Eye (G) fuq l-SRL u mbagħad dawwar l-SRL għat-Tarf tal-Bieba tal-Konnettur (H). Il-Bieba tista' tiġi mdawra lejn l-immnieher biex tħalli spazju għas-Swivel Eye bejn il-Bieba u s-Sinsla tal-Konnettur.
 4. **Ippożizzjona t-Twin Carabiner madwar iċ-Ċineg taċ-Ċinturin tas-Sikurezza:** Bil-Bieba tħares 'il fuq, daħħal l-immnieher tal-Konnettur (F) wara iċ-Ċineg taċ-Ċinturin tas-Sikurezza (A). Dawwar il-Konnettur wara iċ-Ċineg taċ-Ċinturin tas-Sikurezza sakemm il-Konnettur ikun jiċċirkonda iċ-Ċineg taċ-Ċinturin tas-Sikurezza.
 5. **Żid it-tieni Nano-Lok SRD fuq it-Twin Carabiner:** Għaddi s-Swivel Eye (G) tal-SRL fuq l-immnieher tal-Konnettur (F) u ppożizzjona s-Swivel Eye tal-SRL fuq it-tarf tal-immnieher tal-Konnettur (F). Aghlaq il-Bieba (E).
 6. **Aghlaq it-Twin Carabiner:** Dawwar l-Inserzjoni tal-Konnettur (C) 'il quddiem sabiex il-Klamps (D) jidhlu f'poštohom fuq il-Konnettur. Meta jkunu magħluqa sew, iċ-Ċineg taċ-Ċinturin tas-Sikurezza għandhom jgħaddu mis-Slot taċ-Ċinturin tas-Sikurezza (J) fin-naħa ta' fuq tal-Inserzjoni tal-Konnettur u s-Swivel Eyes tal-SRL għandhom ikunu mpoġġija f'poštohom fid-Daħliet (K) fuq iż-żewġ naħat tal-Inserzjoni tal-Konnettur. Ladarba l-Interfaċċja tal-Irbit tas-Sikurezza tkun magħluqa, iġbed lura iċ-Ċineg taċ-Ċinturin tas-Sikurezza (A) fuq id-D-Ring Dorsali u l-Pad tad-D-Ring biex telimina partijiet laxki fiċ-ċinturin tas-sikurezza u poġġi l-Konnettur f'pošto bejn iċ-Ċineg taċ-Ċinturin tas-Sikurezza u l-Pad ta' tad-D-Ring.
- **3M® DBI-SALA® Twin Pin Carabiner:** Dan l-element tal-irbit tal-irbit tas-sikurezza jista' jintuża biex jiġu mmuntati Nano-Lok SRL wieħed, jew żewġ Nano-Lok SRLs f'applikazzjonijiet tat-tixbit (ara Figura 11) fejn huwa meħtieġ 100% irbit b'għoqda.
 1. **Holl iċ-Ċinturin tas-Sikurezza tal-Irbit tas-Sikurezza:** Iġbed fuq iċ-Ċineg taċ-Ċinturin tas-Sikurezza (A) minn fejn jgħaddu mill-parti t'isfel tad-D-Ring Dorsali (B) sakemm ikun hemm biżżejjed spazju biex tghaddi l-Interfaċċja ta' Żewġ Saqajn minn bejn iċ-Ċineg taċ-Ċinturin tas-Sikurezza u l-Pad tad-D-Ring.
 2. **Għal konfigurazzjoni waħda:** Poġġi s-swivel eye ta' SRL waħda fl-ispazju miftuħ centrali.
 3. **Għal konfigurazzjoni doppja:** Poġġi s-swivel eye ta' SRL waħda fl-ispazju miftuħ l-aktar viċin tal-pin u SRL waħda fl-ispazju miftuħ l-aktar 'il bogħod mill-pin.
 4. Daħħal il-pin lura f'pošta sakemm tisma' klikk. Il-pin għandu jkun imsakkra sew f'pošto.
 5. Fl-istess hin, aghfas iż-żewġ buttuni fuq in-naħa tal-irbit tas-sikurezza tal-konnettur 'l isfel filwaqt li tohroġ il-pin 'il barra. Jekk tohroġ dan il-pin 'il barra tohloq spazju vojta.
 6. Iġbed 'il fuq ammont żgħir ta' partijiet laxki fiċ-ċinturin tas-sikurezza direttament taħt id-D-Ring dorsali fuq l-irbit tas-sikurezza tiegħek. Poġġi n-naħa tal-irbit tas-sikurezza tal-konnettur taħt id-D-Ring.
 7. Daħħal il-pin lura f'pošto u żgura li l-pin tibqa' taħt iż-żewġ saffi taċ-ċinturin tas-sikurezza tal-irbit tas-sikurezza sakemm tisma' klikk. Il-pin għandu jkun imsakkra sew f'pošto.

4.0 OPERAT

Utenti li se jużaw l-Apparati li Jingibdu Lura Fuqhom Infushom (SRDs) għall-ewwel darba jew li ma jużawhomx ta' spiss għandhom jirrevedu l-"Informazzjoni dwar is-Sigurtà" li tinsab fil-bidu ta' dan il-manwal qabel ma jużaw l-SRD.

- 4.1 QABEL KULL UŻU:** Qabel kull użu ta' dan it-tagħmir ta' protezzjoni kontra waqgħa mill-gholi, spezzjonah bir-reqqa sabiex tiżgura li jinsab f'kundizzjoni tax-xogħol tajba. Iċċekkja għal partijiet mherrija jew bil-ħsara. Żgura li l-boltijiet kollha huma preżenti u qegħdin siguri f'pōsthom. Iċċekkja li l-linja tas-salvataġġ qed tingħbed lura kif suppost billi tiġbed l-linja 'l barra u thallihha tingħbed lura bil-mod. Jekk ikun hemm xi dewmien biex tingħbed lura, l-unità għandha titneħħa mis-servizz u tinqered. Spezzjona l-linja tas-salvataġġ għal qtugħ, tizrit, ħruq, tifrik u korruzzjoni. Iċċekkja l-ażzjoni tal-illokkjar billi tiġbed bil-qawwa fuq il-linja. Ara r-Registru tal-Ispezzjoni u l-Manutenzjoni (Tabella 3) għad-dettalji tal-ispezzjoni. Tużax jekk l-ispezzjoni tiżvela kundizzjoni perikoluża.
- 4.2 WARA WAQGħA MILL-GħOLI:** Kull tagħmir li gie suġġett għal forzi għat-twaqqif ta' waqgħa mill-gholi jew li juri ħsara konsistenti mal-effett ta' forzi ta' twaqqif ta' waqgħa mill-gholi kif deskritt f'Tabella 3, irid jitneħħa mis-servizz immedjatament u jiġi meqrud.
- 4.3 APPOĠĠ GħALL-GISEM:** Meta jintużaw l-SRDs irid jintlibes irbit tas-sikurezza li jkopri l-gisem shiħ. Għal użu ta' protezzjoni kontra waqgħa mill-gholi generali, qabbad mad-D-ring tad-dahar (dorsali).
- 4.4 BIEĶ TAGħMEL KONNESSJONIJIET:** Figura 5 turi konnessjonijiet tal-irbit tas-sikurezza u tal-ankraġġ għal Sistemi ta' Twaqqif ta' Waqgħa mill-gholi ta' SRD. Meta tuża ganċ biex tagħmel konnessjoni, żgura li tkun tista' sseħħ roll-out (ara Figura 5). Tużax ganċijiet jew konnetturi li ma jingħalqux kompletament fuq l-oġġett tal-irbit. Tużax snap hooks li ma jillokkjawx. L-ankraġġ irid jissodisfa l-ħtiġijiet tal-qawwa tal-ankraġġ imnizżla f'Tabella 2. Segwi l-istruzzjonijiet tal-manifattur fornuti ma' kull komponent tas-sistema.
- 4.5 OPERAT:** Qabel l-użu, spezzjoni l-SRD kif deskritt f'Tabella 3. Figura 14 turi l-konnessjonijiet ta' sistema għal applikazzjonijiet tipiċi ta' SRD. Qabbad l-SRD ma' ankraġġ adegwat jew immonta l-SRD fuq wara tal-Irbit tas-Sikurezza li jkopri l-Gisem Shiħ skont l-istruzzjonijiet f'Sezzjoni 3. Fuq SRDs imqabbda mal-ankraġġ, qabbad il-Ganċ (D) jew Carabiner fuq l-Indikator tat-Tagħbija mad-D-Ring Dorsali (A) fuq l-Irbit tas-Sikurezza li jkopri l-Gisem Shiħ. Fuq SRDs immuntati fuq l-irbit tas-sikurezza, qabbad il-Ganċ (C) jew Carabiner ma' ankraġġ adegwat. Kun żgur li l-konnessjonijiet huma kompatibbli fil-qies, forma u sahħa. Żgura li l-ganċijiet huma kompletament magħluqin u msakkrin. Ladarba jkun marbut, il-haddiem huwa liberu li jiċċaqlaq fi hdn iż-zona tax-xogħol irrakkomandata f'veloċitajiet normali. Jekk isseħħ waqgħa, l-SRD se jillokkja u jwaqqaf il-waqgħa. Hekk kif isir is-salvataġġ, nehhi l-SRD mill-użu. Meta tkun qed taħdem b'SRD, dejjem ippermetti lil-linja tas-salvataġġ tingħbed lura fit-tagħmir taħt kontroll.
- 4.6 ŻEWĠ SRDS TAL-INTERFAĊĊJA 100% IRBIT B'GħOQDA:** Meta żewġ SRDs ikunu mmuntati hdejn xulxin fuq wara tal-Irbit tas-Sikurezza li jkopri l-Gisem Shiħ, is-Sistema ta' Twaqqif ta' Waqgħa mill-gholi ta' SRD tista' tintuża għal protezzjoni kontra waqgħa mill-gholi kontinwa (100% irbit b'għoqda) waqt li wieħed ikun tiela', niezel, jew qed jiċċaqlaq b'mod laterali (ara Figura 15). Bis-Sieq tal-Lanyard ta' SRD wieħed imwaħħla ma' punt tal-ankraġġ, il-haddiem jista' jimxi għal punt ġdid, waħħal is-Sieq tal-Lanyard mhux użata tal-SRD l-ieħor ma' punt tal-ankraġġ ieħor u mbagħad skonnettja mill-punt tal-ankraġġ oriġinali. Is-sekwenza tista' tiġi ripetuta sakemm il-haddiem jasal fil-punt mixtieq. Il-konsiderazzjonijiet għal applikazzjonijiet ta' Żewġ SRDs 100% irbit b'għoqda jinkludu dawn li ġejjin:
- Qatt tqabbad iż-żewġ SRDs tal-Lanyards mal-istess punt tal-ankraġġ (ara Figura 16A).
 - Jekk tqabbad ma' aktar minn konnettur wieħed f'ankraġġ wieħed (ring jew eye) tista' tipperikola l-kompatibilità tal-konnessjoni minħabba l-interazzjoni bejn il-konnetturi u mhux rakkomandat.
 - Il-konnessjoni ta' kull SRD tal-Lanyard ma' punt tal-ankraġġ separat hija aċċettabbli (Figura 16B).
 - Kull sit ta' konnessjoni jrid ikun jappoġġja b'mod indipendenti 2,248 lbs (10 kN) jew ikun sistema mmodifikata, bħal Linja tas-Salvataġġ Orizzontali.
 - Qatt tqabbad aktar minn persuna waħda fl-istess hin mas-sistema ta' Żewġ SRDs (Figura 16C).
 - Thallix li l-Lanyards jithabblu jew jitgħawġu flimkien għax dan jista' jimpedihom milli jinġibdu lura.
 - Thalli l-ebda lanyard jgħaddi taħt id-dirghajn jew bejn ir-riglejn waqt l-użu.
- 4.7 IMMUNTAR TA' ŻEWĠ SRDS FUQ ID-D-RING DORSALI:** Mudelli b'Carabiner ta' Azzjoni tripla jistgħu jiġu mmuntati fuq id-D-Ring Dorsali f'konfigurazzjoni doppja. Biex timmonta żewġ SRDs fuq id-D-Ring Dorsali ta' Irbit tas-Sikurezza (Figura 13):
1. **Iftaħ il-Carabiner ta' Azzjoni Tripla:** Bil-Carabiner ta' Azzjoni Tripla orjentat kif inhu muri fl-istampa, imbotta l-Locking Sleeve (C) lejn il-lemin u mbagħad dawwar lejn il-lemin biex tiftaħ il-Bieba (D). Niżżel il-Bieba (D) 'l isfel biex tinfetah.
 2. **Għaddi l-ewwel SRD ġewwa l-Carabiner ta' Azzjoni Tripla:** Daħħal l-Imnieher tal-Konnettur (E) minn ġos-Swivel Eye (F) fuq l-SRD u mbagħad dawwar l-SRD għat-Tarf tal-Bieba tal-Konnettur (G). Il-Bieba tista' tingħalaq biex thalli spazju għas-Swivel Eye bejn il-Bieba u s-Sinsla tal-Konnettur.
 3. **Żid it-tieni SRD fuq il-Carabiner ta' Azzjoni Tripla:** Għaddi s-Swivel Eye tal-SRD (F) fuq l-Imnieher tal-Konnettur (E).
 4. **Għaddi l-Carabiner ta' Azzjoni Tripla minn ġod-D-Ring:** Daħħal l-Imnieher tal-Konnettur (E) minn ġod-D-Ring Dorsali (A). Dawwar il-Konnettur minn ġod-D-Ring sakemm il-bieb tkun tista' tingħalaq.
 5. **Aghlaq il-Carabiner ta' Azzjoni Tripla:** Halli l-Bieba (D) tingħalaq u l-Locking Sleeve (C) iddur lura għall-pożizzjoni msakkra.
- 4.8 SISTEMI ORIZZONTALI:** F'applikazzjonijiet fejn l-SRD jintuża flimkien ma' sistema orizzontali (jiġifieri, Linja tas-Salvataġġ Orizzontali, I-Beams Orizzontali, Trolley), l-SRD u l-komponenti tas-sistema orizzontali jridu jkunu kompatibbli. Is-sistemi orizzontali jridu jkunu ddisinjati u installati taħt is-supervizzjoni ta' inġinier ikkwalfikat. Ikkonsulta l-istruzzjonijiet tal-manifattur għat-tagħmir tas-sistema orizzontali għad-dettalji.

Il-valuri ta' Spazju għall-Waqgħa f'Figura 4 huma bbażati fuq l-ankraġġ ma' punt tal-ankraġġ rigidu u stazzjonarju u ma japplikawx għall-ankraġġ ma' sistema ta' Linja tas-Salvataġġ Orizzontali (HLL, Horizontal Lifeline). Ikkonsulta l-Manwal tal-Istruzzjonijiet tal-HLL u l-Installatur tal-HLL biex tiddetermina l-Ispazji għall-Waqgħa meħtieġa.

5.0 Spezzjoni

5.1 TIKKETTA RFID: L-Apparat li Jingibed Lura Fuqu Nnifsu jinkludi tikketta tal-Identifikazzjoni bil-Frekwenza tar-Radju (RFID, Radio Frequency Identification) (ara Figura 17). It-tikketta tal-Identifikazzjoni tal-Frekwenza tar-Radju (RFID) tista' tintuża mal-apparat tal-qari li jinżamm fl-idejn u l-portal ibbażat fuq l-internet biex tissimplifika l-ispezzjoni u l-kontroll tal-inventarju u tipprovdi rekords għat-tagħmir tiegħek għall-protezzjoni mill-waqgħat. Għad-dettalji, ikkuntattja rappreżentant tas-Servizz tal-Klijent ta' 3M (ara l-qoxra ta' wara). Segwi l-istruzzjonijiet ipprovduti mal-apparat tal-qari li jinżamm fl-idejn, jew fuq il-portal tal-web, biex titrasferixxi d-dejta tiegħek għal fuq ir-registru tal-web tiegħek.

5.2 FREKWENZA TA' SPEZZJONI: L-Apparat li Jingibed Lura Fuqu Nnifsu jrid jiġi spezzjonat f'intervalli definiti f'Sezzjoni 2. Il-proċeduri tal-ispezzjoni huma spjegati fir- "*Registru tal-Ispezzjoni u l-Manutenzjoni*" (Tabella 3) .

Kundizzjonijiet tax-xogħol estremi (ambjenti ħarxa, użu fit-tul, eċċ.) jista' jkun li jeħtieġu żieda fil-frekwenza ta' spezzjonijiet (ara Tabella 2).

5.3 KUNDIZZJONIJIET MHUX SIGURI JEW DIFETTUŽI: Jekk l-ispezzjoni tiżvela kundizzjoni mhux sigura jew difettuża, neħhi l-SRD mis-servizz immedjatament u armih (ara Sezzjoni 6).

3M jew partijiet awtorizzati bil-miktub biss jistgħu jagħmlu xogħol ta' tiswija fuq dan l-apparat.

5.4 HAĠJA TAL-PRODOTT: Il-ħajja funzjonali tal-Apparati li Jingibdu Fuqhom Infushom ta' 3M tiġi ddeterminata mill-kundizzjonijiet tax-xogħol u l-manutenzjoni. Sakemm il-prodott jgħaddi mill-kriterji ta' spezzjoni, jista' jinżamm fis-servizz (fiż-żmien il-ħajja massima tal-prodott). Il-ħajja massima tal-prodott ta' SRD b'linja tas-salvataġġ b'ċinturini tas-sikurezza tat-tessut mhijiex aktar minn 10 snin mid-data tal-manifattura.

6.0 MANUTENZJONI, SERVIZZ, u HAŻNA

6.1 TINDIF: Il-proċeduri tat-tindif għall-SRD huma kif ġejjin:

- Naddaf in-naħa ta' barra tal-SRD regolarment billi tuża l-ilma u soluzzjoni ħafifa tas-sapun. Ippożizzjona l-SRD sabieq l-ilma żejjed jista' jitbattal 'il barra. Naddaf it-tikketti kif meħtieġ.
- Naddaf iċ-ċinturini tas-Sikurezza tal-Linja tas-Salvataġġ bl-ilma u soluzzjoni tas-sapun ħafifa. Laħlaħ u nixxef sew bl-arja. Tipprovax tnixxef malajr bl-użu tas-shana. Il-kejbil tas-sigurtà għandu jkun niexef qabel tħallih jingibed lura fit-tagħmir. Akkumulazzjoni eċċessiva ta' ħmieġ, żebgħa, eċċ. tista' tipprevjeni lil-linja tas-salvataġġ milli tingibed lura b'mod shiħ fil-qafas li jikkawża periklu potenzjali ta' waqgħa mingħajr kontroll (free fall).

6.2 SERVIZZ: L-SRDs ma jistgħux jiġu msewwija. Jekk l-SRD kien suġġett għal waqgħa mingħajr kontroll (free fall) jew l-ispezzjoni tiżvela kundizzjoni mhux sigura jew difettuża, neħhi l-SRD mis-servizz u eqirdu (ara "*Rimi*").

6.3 HAŻNA/TRASPORT: Ahżen u ttrasporta l-SRDs f'ambjent frisk, xott u nadif 'il barra mir-raġġi diretti tax-xemx. Evita spazji fejn jista' jkun hemm fwar kimiku. Spezzjona l-SRD bir-reqqa wara kull perjodu ta' hażna fit-tul.

6.4 RIMI: Armi l-SRD jekk ġie suġġett għal forzi ta' twaqqif ta' waqgħa mill-għoli jew jekk l-ispezzjoni tiżvela kundizzjoni mhux sigura jew difettuża. Qabel ma tarmi l-SRD, aqta' l-linja tas-salvataġġ minn nofs jew inkella ddiżattiva l-SRD biex telimina l-possibiltà ta' użu mill-ġdid involontarju.

7.0 Tikketti

Figura 22 turi t-tikketti fuq l-Apparati li Jingibdu Lura Fuqhom Infushom u fejn jinsabu. It-tikketti kollha jridu jkunu preżenti fuq l-SRD. It-tikketti jridu jiġu mibdula jekk mhumiex f'kundizzjoni li jistgħu jinqraw tajjeb. Il-pittogrammi fuq it-tikketti huma definiti kif ġej:

1	Spezzjona s-Snap Hook u l-Indikatur tal-Impatt
2	Spezzjona l-Azzjoni tal-Illokkjar tal-SRL
3	Il-Mod Korrett kif Tqabbd SRL ma' Irbit tas-Sikurezza
4	Mhux iċċertifikat għal truf bil-ponta jew li jaqtgħu. Jista' jiġi mqabbd ma' punt tal-ankraġġ fuq, taħt, jew fl-istess livell mad-D-ring dorsali (massimu ta' 140 kg).
5	Medda ta' Temperatura waqt l-Użu -40°C – +60°C
6	Kapaċità Massima 140 kg
7	Dejjem Halli l-Linja tas-Salvataġġ Tingibed Lura Ġol-SRL Taħt Kontroll
8	M'għandekx Issewwi
9	Ahżen f'post frisk u xott, 'il bogħod minn raġġi tax-xemx diretti.
10	Tgħabbix fuq Tarf
11	Tneħħix it-Tikketta

Tabella 3 – Registru tal-Ispezzjoni u Manutenzjoni

Numru(i) tas-Serje:		Data tax-Xiri:	
Numru tal-Mudell:		Data tal-Ewwel Użu:	
Data tal-Ispezzjoni:		Spezzjonat Minn:	
Komponent:	Spezzjoni: (Ara Sezzjoni 2 għall-Frekwenza tal-Ispezzjoni)	Għadda	Ma Rnaxxiex
SRD (Figura 18)	Spezzjona għal qfieli tal-irbit laxki u mgħawġa jew partijiet bil-ħsara.	<input type="checkbox"/>	<input type="checkbox"/>
	Spezzjona l-Qafas (A) għal distorzjoni, xquq, jew ħsara oħra.	<input type="checkbox"/>	<input type="checkbox"/>
	Spezzjona t-Tornikett (B) u s-Swivel Eye (C) jew il-Konnettur Integrali (D) għal distorzjoni, xquq jew ħsara oħra. It-Tornikett għandu jkun marbut b'mod sigur mal-SRL, iżda għandu jimpertija b'mod ħieles. Is-Swivel Eye jew il-Konnettur Integrali għandhom ikunu jdur b'mod ħieles fit-Tornikett.	<input type="checkbox"/>	<input type="checkbox"/>
	Il-Linja tas-Salvataġġ biċ-Ċinturin tas-Sikurezza (E) għandha toħroġ 'il barra u tingħbed lura mingħajr dewmien jew mingħajr ma toħloq kundizzjoni ta' linja mdendla.	<input type="checkbox"/>	<input type="checkbox"/>
	Żgura li l-SRD jillockkja meta l-Linja tas-Salvataġġ tiġi skussjata bil-qawwa. L-illockkar għandu jkun pożittiv mingħajr ma jkun hemm żlieq.	<input type="checkbox"/>	<input type="checkbox"/>
	It-tikketti kollha jridu jkunu fil-post u f'kundizzjoni li jinqraw b'mod tajjeb (ara Figura 20).	<input type="checkbox"/>	<input type="checkbox"/>
	Spezzjoni l-SRD kollu għal sinjali ta' korrużjoni.	<input type="checkbox"/>	<input type="checkbox"/>
Konnetturi tat-Tarf (Figura 19)	Tabella 2 tidentifika l-Konnetturi tat-Tarf li għandhom ikunu inklużi fil-mudell Nano-Lok SRD tiegħek. Spezzjona s-Snap Hooks, il-Carabiners, ir-Rebar Hooks, l-Interfaċċji, eċċ għal sinjali ta' ħsara, korrużjoni, u biex tara li jinsabu f'kundizzjoni tax-xogħol tajba. Fejn preżenti: Il-bibien għandhom jinfethu, jingħalqu, jillockkjaw, u jinfteħu kif suppost, u l-Buttuni li Jillockkjaw u l-Pins li Jillockkjaw għandhom jiffunzjonaw b'mod korrett.	<input type="checkbox"/>	<input type="checkbox"/>
Linja tas-Salvataġġ biċ-Ċinturin tas-Sikurezza (Figura 20)	Spezzjona ċ-ċinturin tas-sikurezza; il-materjal ma jridx ikollu qtugħ (A), tiżrit (B), jew fibri maqsumin. Iċċekkja li ma jkunx hemm tiċrit, grif, ħafna ħmieġ (C), moffa, ħruq (D), jew telf ta' kulur. Spezzjona l-ħjata; Iċċekkja li ma jkunx hemm punti miġbuda jew maqtugħa. Punti maqsumin jistgħu jkunu indikazzjoni li l-irbit tas-sikurezza ġie mgħobbi waqt impatt (impact loaded) u jrid jitneħħa mis-servizz.	<input type="checkbox"/>	<input type="checkbox"/>
Assorbitur tal-Energija (Figura 21)	Ivverifika li l-Assorbitur tal-Energija integrali ma ġiex attiv. Cover miftuħ jew cover imqatta' (A), ċinturin tas-sikurezza li jkun maħruġ 'il barra mill-cover, ċinturin tas-sikurezza mqatta' jew imżarrat (B), ħjata mċarrta, eċċ. huma indikaturi ta' Assorbitur tal-Energija attiv.	<input type="checkbox"/>	<input type="checkbox"/>
Azzjoni Korrettiva/Manutenzjoni:	Approvat Minn:		
	Data:		
Azzjoni Korrettiva/Manutenzjoni:	Approvat Minn:		
	Data:		
Azzjoni Korrettiva/Manutenzjoni:	Approvat Minn:		
	Data:		
Azzjoni Korrettiva/Manutenzjoni:	Approvat Minn:		
	Data:		
Azzjoni Korrettiva/Manutenzjoni:	Approvat Minn:		
	Data:		
Azzjoni Korrettiva/Manutenzjoni:	Approvat Minn:		
	Data:		
Azzjoni Korrettiva/Manutenzjoni:	Approvat Minn:		
	Data:		

VEILIGHEIDSINFORMATIE

Lees alle veiligheidsinformatie in deze instructies voordat u dit zelfintrekbare valstopapparaat (Self-Retracting Device, SRD) gebruikt, en vergewis u ervan dat u alle informatie begrepen hebt en opvolgt. **NALATIGHEID KAN ERNSTIG LETSEL OF DE DOOD TOT GEVOLG HEBBEN.** Deze instructies dienen aan de gebruiker van deze apparatuur verstrekt te worden. Bewaar deze instructies zodat u ze later kunt raadplegen.

Beoogd gebruik:

Dit zelfintrekbare valstopapparaat is bedoeld voor gebruik als onderdeel van een volledig persoonlijk valbeveiligingssysteem.

Gebruik in andere toepassingen, inclusief (maar niet beperkt tot) materiaalbehandeling, vrijetijdsactiviteiten, sporten of andere activiteiten die niet in de gebruiksinstructies omschreven staan, wordt niet goedgekeurd door 3M en kan leiden tot een ongeval met ernstig letsel of de dood tot gevolg.

Dit apparaat mag uitsluitend worden gebruikt door opgeleide gebruikers voor toepassing op de werkplaats.

! WAARSCHUWING

Dit zelfintrekbare valstopapparaat is onderdeel van een persoonlijk valbeveiligingssysteem. Er wordt verwacht dat alle gebruikers volledig zijn opgeleid voor een veilige installatie en veilig gebruik van hun persoonlijke valbeveiligingssysteem. **Misbruik van dit apparaat kan leiden tot ernstig letsel of een dodelijk ongeval.** Voor een juiste selectie, bediening, installatie, onderhoud en diensten raadpleegt u deze gebruiksinstructies inclusief alle aanbevelingen van de fabrikant, overlegt u met uw leidinggevende of neemt u contact op met 3M Technical Services.

- **Doe het volgende om de risico's te beperken die gepaard gaan met het werken met een valstopapparaat, waarbij nalatigheid kan leiden tot ernstig letsel of een dodelijk ongeval:**
 - Inspecteer het valstopapparaat vóór elk gebruik en controleer of de vergrendeling en het oprolmechanisme correct werken.
 - Als uit inspectie een defect of onveilige werking blijkt, stelt u het apparaat onmiddellijk buiten gebruik en zorgt u voor reparatie of vervanging volgens de gebruiksinstructies.
 - Als het valstopapparaat geactiveerd is door een valstop of een schok heeft gekregen, stel het dan onmiddellijk buiten gebruik en markeer het als "ONBRUIKBAAR".
 - Zorg ervoor dat de reddingslijn op elk moment vrij is van alle mogelijke voorwerpen, inclusief (maar niet beperkt tot): verstrikking met bewegende machines of apparaten (bijv. de top drive van een boortoren), andere werkers, uzelf, voorwerpen in de omgeving, en botsing met voorwerpen boven het hoofd die op de reddingslijnen of de werker kunnen vallen.
 - Laat nooit speling komen op de reddingslijn. Maak geen knopen in de reddingslijn.
 - Bevestig de ongebruikte lijn(en) van het aan het harnas bevestigde valstopapparaat aan de bevestigingselement(en) van het harnas, indien aanwezig.
 - Niet gebruiken bij toepassingen waarbij het valpad geblokkeerd is. Bij werken op langzaam bewegend materiaal (zoals zand of korrelig materiaal) of in een besloten of nauwe ruimte kan de gebruiker mogelijk niet voldoende snelheid bereiken om de vergrendeling van het valstopapparaat te activeren. Om positieve vergrendeling van het valstopapparaat te garanderen, is een vrij valpad nodig.
 - Vermijd plotselinge of snelle bewegingen tijdens het normale werk. Daardoor kan het apparaat vergrendelen.
 - Zorg ervoor dat valbeveiligingsystemen/-subsystemen samengesteld uit onderdelen van verschillende fabrikanten compatibel zijn en aan de geldende normen voldoen, waaronder ANSI Z359 of andere geldende voorschriften, normen of vereisten op het gebied van valbescherming. Raadpleeg altijd een deskundige en/of een gekwalificeerd persoon voordat u deze systemen gebruikt.
- **Doe het volgende om de risico's te beperken die gepaard gaan met het werken op hoogte, waarbij nalatigheid kan leiden tot een ongeval met ernstig letsel of de dood tot gevolg:**
 - Vergewist u zich ervan dat u met uw gezondheid en lichamelijke conditie veilig bestand bent tegen alle krachten die kunnen optreden bij het werken op hoogte. Raadpleeg uw arts als u twijfelt of u in staat bent om deze uitrusting te gebruiken.
 - Overschrijd nooit de toelaatbare capaciteit van uw valbeveiligingsuitrusting.
 - Overschrijd nooit de maximale vrijevalafstand van uw valbeveiligingsuitrusting.
 - Gebruik nooit valbeveiligingsuitrusting die een gebrek vertoont bij de inspectie vóór het gebruik of andere periodieke inspecties, of als u onzeker bent over het gebruik of de geschiktheid van de uitrusting voor uw toepassing. Neem voor al uw vragen contact op met 3M Technical Services.
 - Sommige combinaties van subsystemen en componenten kunnen de werking van deze uitrusting verstoren. Gebruik uitsluitend koppelingen die onderling geschikt zijn. Raadpleeg 3M voordat u deze apparatuur gebruikt in combinatie met andere componenten of subsystemen dan die welke in de gebruiksinstructies beschreven staan.
 - Wees extra voorzichtig bij het werken in de buurt van bewegende machines (bijv. top drive van boorplatform), op plaatsen met elektrische gevaren, extreme temperaturen, chemische gevaren, explosieve of giftige gassen, scherpe randen, of onder voorwerpen boven het hoofd die op u of uw valbeveiligingsuitrusting kunnen vallen.
 - Gebruik bij werken in een hete omgeving of met hitteapparatuur beschermingsmiddelen tegen risico's op een vlamboog en brandgevaar.
 - Vermijd oppervlakken en voorwerpen die de gebruiker of de uitrusting kunnen beschadigen.
 - Vergewist u zich ervan dat er voldoende vrije val is bij het werken op hoogte.
 - Wijzig of verander uw valbeveiligingsuitrusting nooit. Alleen 3M, of partijen die door 3M schriftelijk bevoegd worden gesteld, mogen de uitrusting repareren.
 - Zorg, voordat de valbeveiligingsuitrusting in gebruik wordt genomen, dat er een reddingsplan aanwezig is waarmee in geval van een ongeval snel hulp kan worden geboden.
 - Laat na een val de betreffende persoon onmiddellijk door een arts onderzoeken.
 - Gebruik geen lichaamsgordel voor valstop-toepassingen. Gebruik uitsluitend een volledig lichaamsharnas.
 - Minimaliseer zwenkvallen door zo recht mogelijk onder het ankerpunt te werken.
 - Bij training met dit apparaat moet een tweede valbeveiligingssysteem worden gebruikt, om elk risico te vermijden dat de gebruiker-in-training per ongeluk aan valgevaar wordt blootgesteld.
 - Draag altijd geschikte persoonlijke beschermingsmiddelen bij het installeren, gebruiken of inspecteren van het apparaat/systeem.

Noteer vóór u deze apparatuur gebruikt de productidentificatiegegevens van het ID-label in het inspectie- en onderhoudslogboek achter in deze handleiding.

OMSCHRIJVING:

Afbeelding 2 geeft de hoofdonderdelen weer van de 3M™ DBI-SALA® Nano-Lok zelfintrekkende valstopapparaten (Self-Retracting Device, SRD). Nano-Lok SRD's zijn op een trommel gerolde bandreddingslijnen (A) met een ingebouwde schokbreker (B) die zich terugtrekt in een nylon behuizing (C). Een draaibaar oog (D) aan de bovenkant van de behuizing maakt bevestiging aan een geldig verankeringsverbindingspunt met een karabiner (E) of bevestiging aan een volledig harnas met een harnasinterface (F) mogelijk. Afbeelding 1 geeft beschikbare configuraties van Nano-Lok-modellen en hun verbindingstuk weer. Zie tabel 1 voor specificaties van Nano-Lok SRD en verbindingstukken.

Tabel 1 – Specificaties

Componentspecificaties:

SRL-behuizingen	Nylon
Rol	Nylon
Interne onderdelen	Roestvrij staal, aluminium
Valstoplijn	Dynema-polyester
Schokdemper	Afdekking: Nitrilrubber, singelband: Polyester, stiksel: Polyester of nylon draad
Draaipunt	Verzinkt staal

Specificaties verbindingstuk:

	Omschrijving	Materiaal	Poortopening	Sterkte van de opening	Treksterkte
①	Draaibaar oog	Staal	22,35 mm (0,88 inch) binnendiameter	X	22,2 kN (5.000 lb.)
②	Karabiner	Aluminium	19 mm (3/4 inch)	16 kN (3.600 lbs)	22,2 kN (5.000 lbs)
③	Karabiner	Staal	19 mm (3/4 inch)	16 kN (3.600 lbs)	22,2 kN (5.000 lbs)
④	Single SRD-interface	Staal	51 mm (2 inch)	16 kN (3.600 lbs)	22,2 kN (5.000 lbs)
⑤	Twin SRD-interface	Staal met nylon binnenstuk	19 mm (3/4 inch)	16 kN (3.600 lbx)	22,2 kN (5.000 lbs)
⑥	Karabiner	Aluminium, staal	56 mm (2,19 inch)	16 kN (3.600 lbs)	22,2 kN (5.000 lbs)
⑦	Karabiner	Aluminium	19 mm (3/4 inch)	16 kN (3.600 lbs)	22,2 kN (5.000 lbs)
⑧	Wapeningshaak	Aluminium	57 mm (2-1/4 inch)	16 kN (3.600 lbs)	22,2 kN (5.000 lbs)
⑨	Wapeningshaak	Aluminium	63 mm (2-1/2 inch)	16 kN (3.600 lbs)	22,2 kN (5.000 lbs)
⑩	Karabiner	Aluminium	52 mm (2 inch)	16 kN (3.600 lbs)	22,2 kN (5.000 lbs)
⑪	Wapeningshaak	Aluminium, staal	63 mm (2-1/2 inch)	16 kN (3.600 lbs)	22,2 kN (5.000 lbs)
⑫	Karabiner	Staal	19 mm (3/4 inch)	16 kN (3.600 lbs)	22,2 kN (5.000 lbs)
⑬	Wapeningshaak	Aluminium	57 mm (2-1/4 inch)	16 kN (3.600 lbs)	22,2 kN (5.000 lbs)
⑭	Musketonhaak	Staal	19 mm (3/4 inch)	16 kN (3.600 lbs)	22,2 kN (5.000 lbs)

Prestatiespecificaties:

SRL-specificaties (verticaal)	CE-modellen	
Capaciteitsbereik	59 kg - 100 kg (130 lbs - 220 lbs)	100 kg - 140 kg (220 lbs - 310 lbs)
Maximale valstopkracht	6 kN (1.350 lbs)	6 kN (1.350 lbs)
Gemiddelde valstopkracht	4 kN (900 lb.)	4 kN (900 lb.)
Geclaimde maximale valstopafstand¹	0,61 m (24 inch)	0,61 m (24 inch)
Minimale vereiste vrije val¹	1,5 m (5 ft)	1,8 m (5,8 ft)
Maximale vrije val²	1,5 m (5 ft)	1,5 m (5 ft)

1 - Neemt aan dat de SRL direct boven (boven het hoofd) de eindgebruiker is gemonteerd.

2 - Gemeten vanaf gebruiker D-ring tot loop-/werkoppervlak. Raadpleeg de vrije val schema('s) voor meer informatie.

1.0 TOEPASSINGEN

- 1.1 DOEL:** De zelfintrekkende valstopapparaten (Self Retracting Device, SRD) zijn ontworpen als onderdeel van een persoonlijk systeem voor valbescherming (Personal Fall Arrest System, PFAS). Afbeelding 1 toont de SRD's die in deze instructies worden behandeld. Deze systemen kunnen worden gebruikt in de meeste situaties waarin een combinatie van mobiliteit voor de werknemer en valbeveiliging is vereist, zoals bij inspectiewerkzaamheden, algemene bouwwerkzaamheden, onderhoudswerkzaamheden, olieproductie, werkzaamheden in besloten ruimten, enz.
- 1.2 NORMEN:** Uw valstopapparaat voldoet aan de nationale of regionale norm(en) die staan vermeld op de omslag van deze instructies. Raadpleeg de regionale, landelijke en internationale vereisten die van toepassing zijn op beroepsveiligheid voor aanvullende informatie over persoonlijke valbescherming.
- 1.3 TRAINING:** Deze apparatuur is bedoeld voor gebruik door personen die zijn getraind in de juiste toepassing en het juiste gebruik. Het is de verantwoordelijkheid van de gebruiker om ervoor te zorgen bekend te zijn met deze instructies en getraind te zijn in het juiste onderhoud en gebruik van deze apparatuur. Gebruikers moeten bovendien op de hoogte zijn van de operationele eigenschappen, toepassingsbeperkingen en gevolgen van onjuist gebruik.
- 1.4 BEPERKINGEN:** Houd tijdens het installeren of gebruiken van deze apparatuur altijd rekening met de volgende beperkingen:

- **Capaciteit:** SRD's zijn bestemd voor het gebruik door één persoon met een gecombineerd gewicht (kleding, gereedschap, enz.) die voldoet aan het *capaciteitsbereik* dat is gespecificeerd in tabel 1. Zorg ervoor dat alle onderdelen van uw systeem de juiste capaciteit hebben voor uw toepassing.
- **Verankeringsstructuur:** De verankeringsstructuur voor de SRD moet in staat zijn om een belasting van 12 kN (2697 lb.) te dragen. Verankeringsapparatuur moet voldoen aan EN795 of andere toepasselijke normen voor verankeringsverbindingen.
- **Blokkeersnelheid:** Situaties waarin geen vrij valpad is, dienen vermeden te worden. Wanneer er gewerkt wordt in besloten, nauwe ruimten of hellende oppervlakken, is het mogelijk dat het lichaam tijdens een val niet voldoende snelheid kan bereiken om de vergrendeling van het valstopapparaat bij een val te activeren. Wanneer er gewerkt wordt op zich langzaam verplaatsende materialen, zoals zand of korrelig materiaal, wordt er wellicht onvoldoende snelheid gemaakt om de vergrendeling van het valstopapparaat te activeren. Om positieve vergrendeling van het valstopapparaat te garanderen, is een vrij valpad nodig.
- **Vrije val:** Bij bovenhoofdse verankeringsbeperking beperken de SRD's de vrije val tot 0,6 m (2 ft)¹. Veranker de SRD altijd direct boven het werkniveau om vergrote valafstanden te vermijden. Bevestig de SRD nooit aan een verankeringspunt dat een vrije val van meer dan 1,5 m (5 ft) zal creëren. Vermijd werkzaamheden in situaties waarin uw reddingslijn de reddingslijn van een collega kan kruisen of daarmee verstrengeld kan raken. Vermijd werkzaamheden in situaties waarin een voorwerp kan vallen en de reddingslijn kan treffen, waardoor u uw evenwicht verliest of waardoor de reddingslijn beschadigd raakt. Voorkom dat de reddingslijn onder armen of tussen benen door loopt. Klem of bind de reddingslijn nooit vast en voorkom dat de reddingslijn niet kan worden ingetrokken of dat de reddingslijn niet strak kan komen te staan. Vermijd speling. **Verleng valstopapparaten niet door er een lijn of soortgelijk onderdeel aan te koppelen zonder dat u 3M hebt geraadpleegd.**
- **Scheef vallen:** Een scheve val doet zich voor wanneer het verankeringspunt zich niet direct boven het valpunt bevindt. De kracht waarmee een voorwerp tijdens een scheve val geraakt kan worden, kan ernstig letsel veroorzaken (zie afbeelding 3A). Minimaliseer scheef vallen door zo recht mogelijk onder het ankerpunt te werken (afbeelding 3B). Van het verankeringspunt (afbeelding 3C) af werken vergroot de impact van een zwenkval en verhoogt de vereiste valspeling (Fall Clearance, FC).
- **Valspeling:** Afbeelding 3B illustreert de berekening van de valspeling. Valspeling (Fall Clearance, FC) is de som van de vrije val (Free Fall, FF), vertragsafstand (Deceleration Distance, DD) en de veiligheidsfactor (Safety Factor, SF): $FC = FF + DD + SF$. Verschuiving van de D-ring en rek van het harnas zijn opgenomen in de veiligheidsfactor. De waarden van de valspeling zijn berekend en worden in kaart gebracht in afbeelding 4. Voor alle waarden in afbeelding 4 is een veiligheidsfactor van 1 m (3,28 ft) gebruikt.

Afbeelding 4 illustreert de valspeling (Fall Clearance, FC) op basis van de horizontale (H) en verticale (V) afstand tussen de SRD-rugverbinding en het verankeringspunt. Elke horizontale rasterlijn op de grafiek(en) staat voor de verticale afstand vanaf het verankeringspunt. Elke verticale rasterlijn staat voor de horizontale afstand vanaf het verankeringspunt. De waarde van de valspeling (Fall Clearance, FC) wordt bepaald door de zone (parabolische lijnen) waarin de horizontale (H) en verticale (V) rasterlijnen elkaar kruisen. Het voorbeeld in afbeelding 4 laat zien hoe de vereiste waarde van de valspeling (Fall Clearance, FC) voor de aangegeven verticale (V) en horizontale (H) afstanden moet worden bepaald.

Variabele verankeringspunten: De valspelingen in afbeelding 4 zijn gebaseerd op een stijf, vast verankeringspunt. Als u verankert aan een horizontale reddingslijn (Horizontal Lifeline, HLL) of een verankeringspunt dat kan bewegen, glijden of vervormen tijdens een val, zijn de waarden voor de valspeling uit afbeelding 4 niet van toepassing. Raadpleeg de instructies voor de HLL of de verankeringspunt voor extra informatie over vereiste valspelingen, doorbuigingen en/of vervorming.

Knielen of hurken: De grafieken voor valspeling in afbeelding 4 gaan ervan uit dat de werknemer zich in een staande positie bevindt. Als de werknemer knielt of hurkt is een extra valspeling van 0,9 m (3 ft) vereist.

Veranker nooit lager dan de voeten: Maak nooit verbinding met een verankeringspunt lager dan uw voeten.

- **Gevaaren:** Als deze uitrusting in zones met omgevingsgevaar wordt gebruikt, kan het zijn dat er extra maatregelen nodig zijn om de kans op letsel of schade aan de uitrusting te verkleinen. De gevaren kunnen bestaan uit, maar zijn niet beperkt tot: hitte, bijtende chemicaliën, corrosieve omgevingen, hoogspanningsleidingen, explosieve of giftige gassen, bewegende machines en materiaal boven het hoofd dat kan vallen en de gebruiker of het valstopsysteem kan raken. Vermijd werkzaamheden in situaties waarin uw reddingslijn de reddingslijn van een collega kan kruisen of daarmee verstrengeld kan raken. Vermijd werkzaamheden in situaties waarin een voorwerp kan vallen en de reddingslijn kan treffen, waardoor u uw evenwicht verliest of waardoor de reddingslijn beschadigd raakt. Voorkom dat de reddingslijn onder armen of tussen benen door loopt.
- **Scherpe randen:** Scherpe randen die met de SRD-reddingslijn in contact kunnen komen tijdens een val moeten een minimale straal van 0,3 cm (0,125 inch) hebben. Als contact met een scherpe rand onvermijdelijk is, bedek die rand dan met beschermingsmateriaal.

¹ **Vrije val:** Correcte toepassing van de SRD, waarbij de gebruiker direct onder het verankeringspunt werkt en er geen reddingslijn is, zal de vrije val verminderen. Zie afbeelding 4 voor aanvaardbare verankeringslocaties.

2.0 Systeemgebruik

- 2.1 VALBEVEILIGINGS- EN REDDINGSPLAN:** De werkgever dient over een valbeveiligings- en reddingsplan te beschikken. Het plan moet richtlijnen en vereisten bevatten voor een door de werkgever beheerd valbeveiligingsprogramma, inclusief beleidslijnen, taken en training; valbeschermingsprocedures; het elimineren en beheersen van valgevaaren; reddingsprocedures; incidentonderzoeken; en evaluatie van de effectiviteit van het programma.
- 2.2 INSPECTIEFREQUENTIE:** Valstopapparaten moeten vóór elk gebruik worden geïnspecteerd door een bevoegde persoon¹ of reddingswerker² (zie tabel 3). SRL's dienen daarnaast te worden geïnspecteerd door een deskundige³ anders dan de gebruiker. Extreme werkomstandigheden (ruige omgeving, langdurig gebruik, enz.) kunnen vereisen dat de frequentie van inspecties door deskundigen wordt opgevoerd. De deskundige dient het *inspectierooster* (tabel 2) te gebruiken om passende inspectiefrequenties te bepalen. De inspectieprocedures zijn beschreven in het *Logboek voor inspectie en onderhoud* (tabel 3). De resultaten van de inspectie door de deskundige moeten worden geregistreerd in het *Logboek voor inspectie en onderhoud* of worden geregistreerd via het Radiofrequentie-identificatiesysteem (RFID-systeem) (zie sectie 5).
- 2.3 NORMAAL GEBRUIK:** Bij normale werkzaamheden kan de reddingslijn zonder onregelmatigheden uit- en intrekken wanneer de medewerker met normale snelheid beweegt. Wanneer er een val plaatsvindt, zal het snelheidsgevoelige remsysteem geactiveerd worden. Daardoor wordt de val gestopt en wordt veel van de vrijgekomen energie geabsorbeerd. Tijdens normale werkzaamheden dienen plotselinge of snelle bewegingen vermeden te worden; hierdoor kan het valstopapparaat vergrendeld worden. Voor valpartijen die zich voordoen terwijl de reddingslijn bijna helemaal is uitgetrokken, is een reservereddingslijn of schokbreker opgenomen, zodat de valstop een beperkte impact heeft.
- 2.4 LICHAAMSONDERSTEUNING:** Het valstopapparaat moet worden gebruikt met een volledig lichaamsharnas. Het verbindingspunt van het harnas moet boven het zwaartepunt van de gebruiker liggen. Gebruik van het valstopapparaat met een lichaamsgordel is niet toegestaan. Als er een val plaatsvindt met een lichaamsgordel, kan deze onbedoeld losschieten en lichamelijk trauma veroorzaken door onjuiste lichaamsondersteuning.
- 2.5 COMPATIBILITEIT VAN COMPONENTEN:** Tenzij anders aangegeven is 3M-apparatuur ontworpen voor gebruik met alleen door 3M goedgekeurde onderdelen en subsystemen. Substituties of vervangingen door middel van niet-goedgekeurde onderdelen of subsystemen kunnen de compatibiliteit van apparatuur in gevaar brengen en kunnen de veiligheid en betrouwbaarheid van het volledige systeem beïnvloeden.
- 2.6 COMPATIBILITEIT VAN CONNECTORS:** Connectors worden als compatibel met verbindende elementen beschouwd wanneer deze zijn ontwikkeld om op een dusdanige manier samen te werken dat de maten en vormen, ongeacht hun oriëntatie, geen onbedoeld opengaan van snappermechanismen veroorzaken. Neem contact op met 3M als u vragen hebt over compatibiliteit. Connectors (haken, karabijnen en D-ringen) moeten in staat zijn om een belasting van ten minste 22,2 kN (5.000 lb.) te dragen. Connectors moeten compatibel zijn met de verankering of andere systeemcomponenten. Gebruik geen apparatuur die niet compatibel is. Verbindingen die niet compatibel zijn, kunnen onbedoeld losraken (zie afbeelding 5). Connectors moeten compatibel zijn qua grootte, vorm en sterkte. Zelfvergrendelende karabijnhaken en karabijnen zijn vereist. Als het verbindingselement waaraan de karabijnhaak of karabijner bevestigd wordt, te klein of onregelmatig van vorm is, kan er een situatie optreden waarbij het verbindingselement kracht uitoefent op de opening van de karabijnhaak of karabijner (A). Door deze kracht kan de opening (B) opengaan, waardoor de karabijnhaak of karabijner kan losraken van het verbindingspunt (C).
- 2.7 VERBINDINGEN MAKEN:** Met deze apparatuur mogen alleen zelfvergrendelende karabijnhaken en karabijnen gebruikt worden. Zorg ervoor dat de verbindingen qua grootte, vorm en sterkte bij elkaar passen. Gebruik geen apparatuur die niet compatibel is. Controleer of alle verbindingen volledig gesloten en vergrendeld zijn. 3M-connectors (musketonhaken en karabijnen) zijn ontworpen om alleen gebruikt te worden zoals in de gebruikersinstructies van elk product vermeld staat. Zie afbeelding 6 voor onjuiste verbindingen.

Verbind karabijnhaken of karabijnen niet:

- Aan een D-ring waaraan al een andere verbinding bevestigd is.
- Op een manier waardoor er een belasting op de opening komt te staan. Musketonhaken met een grote halsopening mogen niet worden verbonden met standaardformaat D-ringen of vergelijkbare voorwerpen. Dit resulteert in een belasting van de snapper als de haak of D-ring (rond)draait, tenzij de musketonhaak is voorzien van een snapper die geschikt is voor 16 kN (3600 lb).
- Bij een foutieve verbinding, waarbij de grootte of vorm van de bijpassende verbindingstukken niet compatibel zijn en zonder visuele bevestiging lijken de verbindingstukken volledig verbonden.
- Aan elkaar.
- Direct aan singelband of touwlijn of terugbindlijn (tie-back) - tenzij de instructies van de fabrikant een dergelijke verbinding voor zowel de lijn als de connector specifiek toestaan.
- Aan elk object dat een zodanige vorm of dimensie heeft dat de karabijnhaak of karabijner niet dicht en op slot kan gaan, of daar waar uitrollen kan optreden.
- Op een manier die de connector onder belasting geen correcte positie laat innemen.

Tabel 2 – inspectierooster

Soort gebruik	Voorbeelden van toepassingen	Gebruiksvoorwaarden	Inspectiefrequentie
			Deskundig persoon
Weinig frequent tot licht	Redding en ruimte met beperkte toegang, fabrieksonderhoud	Goede opslagcondities, binnen- of niet frequent buitengebruik, kamertemperatuur, schone ruimten	Jaarlijks
Gemiddeld tot zwaar	Transport, woningbouw, utiliteiten, magazijn	Redelijke opslagcondities, binnen- en uitgebreid buitengebruik, alle temperaturen, schone of stoffige ruimten	Halfjaarlijks tot jaarlijks
Zeer zwaar tot continu	Beroepsmatige bouw, olie en gas, mijnbouw	Ruwe opslagomstandigheden, lang of continu buitengebruik, alle temperaturen, vuile ruimten	Ieder kwartaal tot halfjaarlijks

¹ **Bevoegd persoon:** Een persoon die door de werkgever aangewezen is om werk uit te voeren op een locatie waar de persoon blootgesteld wordt aan een valrisico.

² **Redder:** Een andere persoon of andere personen dan de te redden persoon, die optreedt of optreden om een geassisteerde redding uit te voeren door middel van een reddingssysteem.

³ **Deskundige:** Een persoon die door zijn werkgever is aangeduid als verantwoordelijke voor de directe supervisie, uitvoering en opvolging van het door de werkgever beheerde programma voor valbescherming die op basis van zijn opleiding en kennis in staat is de bestaande en potentiële valrisico's te identificeren, te evalueren en aan te pakken, en die van de werkgever de bevoegdheid heeft gekregen om onmiddellijk corrigerende maatregelen te nemen in verband met dergelijke risico's.

3.0 Installatie

- 3.1 PLANNING:** Maak een plan voor uw valbeveiligingssysteem voordat u begint met uw werkzaamheden. Houd rekening met alle factoren die uw veiligheid voor, tijdens en na een val kunnen beïnvloeden. Neem alle eisen en beperkingen die in sectie 2 zijn gedefinieerd in overweging.

Bij de meeste toepassingen kan de Nano-Lok SRD aan de verankering of aan een plek op de rugzijde van het harnas worden gekoppeld. Beide oriëntaties zijn toegestaan, met uitzondering van de in sectie 4 genoemde gevallen.

- 3.2 VERANKERING:** Afbeelding 7 toont typische SRL-verankeringsverbindingen: Kies een verankeringspunt met minimaal gevaar voor een vrije val en zwenkvalrisico's (zie sectie 1). Kies een stabiel verankeringspunt dat bestand is tegen de in sectie 1 gedefinieerde statische belastingen. Als een bovenhoofdse verankering niet haalbaar is, kunnen Nano-Lok SRD's worden vastgemaakt onder het niveau van de D-ring op de rug van de gebruiker. Voor gebruikers tot 140 kg (310 lbs) mag het verankeringspunt zich niet meer dan 1,5 m (5 ft) onder de dorsale D-ring bevinden.

- 3.3 BEVESTIGING AAN HET HARNAS:** Sommige SRD-modellen hebben een Single SRD- of een Twin SRD-harnasinterface voor het bevestigen van de SRD('s) aan een volledig harnas net onder de D-ring op de rug:

Sommige volledige lichaamsharnassen zijn uitgerust met een persoonlijke SRD-adapter (PSRL Link), waarin de D-ring op de rug wordt geïntegreerd met aankoppelingselementen voor aan het harnas bevestigde zelfintrekbare apparaten (afbeelding 8). Het is ook acceptabel om de SRD met een karabiner of musketonhaak aan de D-ring op de rug van het harnas te verbinden.

- **Enkele SRD-harnasbevestiging:** Als de mobiliteit van de medewerker kritiek is, kan een SRD-harnasinterface worden gebruikt om de SRD aan de rugzijde van een volledig harnas te bevestigen, net onder de dorsale D-ring (zie afbeelding 9). De medewerker kan zich dan met verschillende ankerpunten verbinden op de hele locatie met het lijnuiteinde van de SRD zonder de SRD steeds opnieuw te moeten installeren. Voor het bevestigen van de SRD aan een volledig harnas met de SRD-harnasinterface.
 1. **Maak ruimte bij de singelband van het harnas:** Trek de bandriemen (A) uit waar ze door de onderkant van de dorsale D-ring (B) totdat er voldoende ruimte is om de SRD-interface tussen de bandriemen en de D-ringpadding door te schuiven.
 2. **De interface (het koppelstuk) van het harnas openen:** Druk de vergrendelingsknoppen (C) tegelijkertijd in en schuif de vergrendelpen (D) naar buiten.
 3. **Positioneer de SRD op de harnasinterface:** Steek de open poort in de harnasinterface door het draaibare oog op de SRD (E). Lus de interface door de draaibare ogen zodat de SRD uit de rug van de harnasinterface (F) hangt.
 4. **Positioneer de harnasinterface rond de bandriemen:** Positioneer de open poort van de harnasinterface rond de losse bandriemen (A).
 5. **Sluit de harnasinterface:** Duw de borgpen van de harnasinterface (D) door de losse bandriemen (A) totdat deze op hun plaats klikken aan de andere kant van de harnasinterface. Trek de bandriemen naar achteren door de D-ring op de rug en de rugpadding om de harnasinterface vast te maken.

De rode band aan het knopuiteinde van de vergrendelingspen van de harnasinterface wordt zichtbaar als de harnasinterface wordt ontgrendeld. Zorg er, om onbedoeld losgaan van de verbinding te voorkomen, altijd voor dat de harnasinterface is vergrendeld voordat u het harnas en de ermee verbonden SRD gebruikt. Nalatigheid kan letsel of de dood tot gevolg hebben.
- **Twin SRD-harnasbevestiging:** In klimtoepassingen waar 100% tie-off nodig is, kan de SRD-harnasinterface worden gebruikt om twee SRD's naast elkaar te bevestigen aan de rugzijde van een volledig harnas, net onder de D-ring op de rug (zie afbeelding 9) Om twee SRD's op een volledig lichaamsharnas te bevestigen met de SRD-harnasinterface:
 1. **Maak ruimte bij de singelband van het harnas:** Trek de bandriemen (A) uit waar ze door de onderkant van de dorsale D-ring (B) totdat er voldoende ruimte is om de SRD-interface tussen de bandriemen en de D-ringpadding door te schuiven.
 2. **De interface (het koppelstuk) van het harnas openen:** Druk de vergrendelingsknoppen (C) tegelijkertijd in en schuif de vergrendelpen (D) naar buiten.
 3. **Positioneer de SRD's op de harnasinterface:** Steek de open poort in de harnasinterface door het draaibare oog op elke SRD (E). Lus de interface door de draaibare ogen zodat de SRD's uit de rug van de harnasinterface (F) hangen.
 4. **Positioneer de harnasinterface rond de bandriemen:** Positioneer de open poort van de harnasinterface rond de losse bandriemen (A).
 5. **Sluit de harnasinterface:** Duw de borgpen van de harnasinterface (D) door de losse bandriemen (A) totdat deze op hun plaats klikken aan de andere kant van de harnasinterface. Trek de bandriemen naar achteren door de dorsale D-ring en de rugpadding om de harnasinterface vast te maken.

De rode band aan het knopuiteinde van de vergrendelingspen van de harnasinterface wordt zichtbaar als de harnasinterface wordt ontgrendeld. Zorg er, om onbedoeld losgaan van de verbinding te voorkomen, altijd voor dat de harnasinterface is vergrendeld voordat u het harnas en de ermee verbonden SRD gebruikt. Nalatigheid kan letsel of de dood tot gevolg hebben.

- **Twin SRD vaste D-Ring harnasbevestiging:** Oudere volledige lichaamsharnassen van ExoFit met een vaste D-ring hebben een speciaal SRD-harnasinterface nodig om twee SRD's op de rugzijde van het harnas te kunnen monteren net onder de dorsale D-ring. Om twee SRD's aan een volledig lichaamsharnas van ExoFit te bevestigen met de SRD-harnasinterface met vaste D-ring (afbeelding 10):
 1. **Maak ruimte bij de singelband van het harnas:** Trek de bandriemen (A) uit waar ze door de onderkant van de D-ring op de rug gaan (B) totdat er voldoende ruimte is om de SRD-harnasinterface tussen de bandriemen en de rugpadding te plaatsen.
 2. **De interface (het koppelstuk) van het harnas openen:** Druk, met de SRD-interface zoals geïllustreerd, de vergrendelingsmanchet (C) naar rechts. Draai vervolgens met de klok mee om de poort (D) te ontgrendelen. Beweeg de gate (D) naar beneden om hem te openen.
 3. **Lus de eerste SRD aan de harnasinterface:** Steek de neus van de connector (E) door het draaibare oog (F) op de SRD. Roteer dan de SRD naar het gate-uiteinde van de connector (G). De gate kan worden gesloten om ruimte te maken voor het draaibare oog tussen de gate en het middenstuk van de connector.
 4. **Positioneer de harnasinterface rond de bandriemen:** Steek de neus van de connector (E) achter de bandriemen (A). Roteer de connector achter de bandriemen totdat de connector om de bandriemen ligt.
 5. **Plaats de tweede SRD op de harnasinterface:** Schuif het draaibare oog van de SRD (F) over de neus van de connector (E) en positioneer het draaibare oog van de SRD in het neusuiteinde van de connector.
 6. **Sluit de harnasinterface:** Laat de gate (D) sluiten en laat de vergrendelingsmanchet (C) terugdraaien naar de vergrendelde positie. Trek, als de harnasinterface is gesloten, de bandriemen (A) terug door de D-ring op de rug om geen speling in de webbing te hebben. Maak de verbinding tussen de bandriemen en de rugpadding vast.

- **3M® DBI-SALA® Dubbele karabiner:** De 3M® DBI-SALA® De dubbele karabiner is ontworpen om twee Nano-Lok SRD's naast elkaar op de achterkant van een volledig lichaamsharnas net onder de dorsale D-ring te bevestigen (zie Afbeelding 12). Om twee Nano-Lok SRD's aan een volledig lichaamsharnas te bevestigen met een karabiner:
 1. **Maak ruimte bij de singelband van het harnas:** Trek de bandriemen (A) uit waar ze door de onderkant van de D-ring op de rug gaan (B) totdat er voldoende ruimte is om de dubbele-lijninterface tussen de bandriemen en de D-ringpadding door te schuiven.
 2. **Open de dubbele karabiner:** Druk het verbindingstuk (C) omhoog zodat de klemmen (D) losklikken van de connector. Beweeg het verbindingstuk vervolgens omhoog om de gate te openen. Druk de gate (E) naar binnen om de connector te openen.
 3. **Lus de eerste Nano-Lok SRD aan de twin karabiner:** Steek de neus van de connector (F) door het draaibare oog (G) op de SRL en roteer dan de SRL naar het gate-uiteinde van de connector (H). De poort kan naar de 'neus' worden gedraaid om ruimte te maken voor het draaibare oog tussen de poort en het middenstuk van de connector.
 4. **Positioneer de dubbele karabiner rond de bandriemen:** Steek de neus van de connector (F) met de poort naar boven achter de bandriemen (A). Roteer de connector achter de bandriemen totdat de connector om de bandriemen ligt.
 5. **Voeg de tweede Nano-Lok SRD toe aan de dubbele karabiner:** Schuif het draaibare oog van de SRL (G) over de neus van de connector (F) en positioneer het draaibare oog van de SRL in het neusuiteinde van de connector (F). Sluit de gate (E).
 6. **De dubbele karabiner sluiten:** Roteer het verbindingstuk (C) naar voren zodat de klemmen (D) vastgrijpen op de connector. Eenmaal correct gesloten, moeten de bandriemen door de opening in de gordel (J) passen boven aan het verbindingstuk. De draaibare ogen van de SRL moeten in de uitsparingen (K) aan beide kanten van het verbindingstuk vastzitten. Trek, als de harnasinterface is gesloten, de bandriemen (A) terug door de dorsale D-ring en de D-ringpadding om geen speling in de gordel te hebben. Maak de connector tussen de bandriemen en de D-ringpadding vast.

- **3M® DBI-SALA® Dubbele pen karabiner:** Deze harnasbevestiging kan worden gebruikt om één Nano-Lok SRL, of twee Nano-Lok SRL's in klimtoepassingen te monteren (zie afbeelding 11) waar 100% tie-off vereist is:
 1. **Maak ruimte bij de singelband van het harnas:** Trek de bandriemen (A) uit waar ze door de onderkant van de D-ring op de rug gaan (B) totdat er voldoende ruimte is om de dubbele-lijninterface tussen de bandriemen en de D-ringpadding door te schuiven.
 2. **Voor enkele configuratie:** Plaats het draaibare oog van een enkele SRL in het midden van de open ruimte.
 3. **Voor dubbele configuratie:** Plaats het draaibare oog van een SRL in de open ruimte, het dichtste bij de pin en een SRL in de open ruimte die het verste van de pen af is.
 4. Schuif de pen terug op zijn plaats totdat u een klik hoort. De pen moet stevig op zijn plaats zijn vergrendeld.
 5. Druk tegelijkertijd op de twee knoppen aan de harnaszijde van de connector terwijl u de pen naar buiten schuift. Door deze pen naar buiten te schuiven, wordt een open ruimte gecreëerd.
 6. Trek een kleine hoeveelheid speling in de riem direct onder de dorsale D-ring op uw harnas. Plaats de harnaszijde van de connector onder de D-ring.
 7. Schuif de pen terug op zijn plaats en zorg ervoor dat de pen onder beide lagen van de singelband van het harnas blijft totdat u een klik hoort. De pen moet stevig op zijn plaats zijn vergrendeld.

4.0 WERKING

Personen die de zelfintrekkende valstopapparaten (SRD's) voor het eerst of onregelmatig gebruiken, moeten eerst de "Veiligheidsinformatie" aan het begin van deze handleiding doornemen voordat ze het zelfintrekkende valstopapparaat gebruiken.

- 4.1 VÓÓR ELK GEBRUIK:** Vóór elk gebruik van deze valbeveiligingsuitrusting dient u deze zorgvuldig te inspecteren, om er zeker van te zijn dat deze in goede staat verkeert. Let op versleten of beschadigde delen. Zorg ervoor dat alle bouten aanwezig zijn en stevig vastzitten. Controleer het correct terugtrekken van de valstoplijn door de lijn uit te trekken en langzaam weer terug te laten gaan. Als er enige aarzeling is bij het terugtrekken, moet de eenheid worden verwijderd en vernietigd. Inspecteer de valstoplijn op insnijdingen, rafels, brandplekken, indeukingen en corrosie. Controleer de blokkering door met kracht aan de lijn te trekken. Zie het inspectie- en onderhoudslogboek (tabel 3) voor inspectiedetails. Gebruik niets wat bij inspectie onveilig blijkt.
- 4.2 NA EEN VAL:** Alle uitrusting die is blootgesteld aan de krachten van een valstop of die beschadigingen vertonen die door de kracht van een valstop zouden kunnen zijn veroorzaakt zoals beschreven in tabel 3, moet worden verwijderd en vernietigd.
- 4.3 LICHAAMSONDERSTEUNING:** Bij gebruik van zelfintrekkende valstopapparaten moet een volledig harnas worden gedragen. Voor algemene valbeveiliging maakt u verbinding met de D-ring op de rug.
- 4.4 VERBINDINGEN MAKEN:** Afbeelding 5 illustreert de harnas- en verankeringsverbindingen voor SRD-valstopsystemen. Wanneer u een haak gebruikt om een verbinding te maken, zorg er dan voor dat deze niet los kan raken (zie afbeelding 5). Gebruik geen haken of connectors die niet volledig over het bevestigingsobject sluiten. Gebruik geen musketonhaken zonder vergrendeling. De verankering moet voldoen aan de sterktevereisten voor verankerungen zoals vermeld in Tabel 2. Volg de instructies van de fabrikant voor elk onderdeel van het systeem.
- 4.5 BEDIENING:** Inspecteer de SRD vóór gebruik, zoals beschreven in tabel 3. Afbeelding 14 toont de systeemverbindingen voor standaardtoepassingen van de SRD. Verbind de SRD met een geschikte verankering of monteer de SRD op de rugzijde van een volledig harnas volgens de instructies in Deel 3. Op SRD's die met een verankering verbonden zijn: verbind de haak (D) of karabiner op de belastingsindicator met de D-ring op de rug (A) op het volledige harnas. Verbind op aan een harnas gemonteerde SRD's de haak (D) of karabiner met een geschikte verankering. Zorg ervoor dat de verbindingen qua grootte, vorm en sterkte bij elkaar passen. Zorg ervoor dat de haken volledig gesloten en vergrendeld zijn. Eenmaal aangesloten kan de medewerker bij normale snelheden vrij bewegen binnen de aanbevolen werkruimte. Als er een val plaatsvindt, zal de SRD blokkeren en de val stoppen. Gebruik de SRD na een redding niet nogmaals. Laat bij gebruik van een SRD de reddingslijn altijd gecontroleerd terugrollen in het apparaat.
- 4.6 DUBBELE SRD-INTERFACE 100% ZEKERING:** Wanneer twee SRD's naast elkaar zijn gemonteerd op de rugzijde van een volledig harnas, kan het SRD-valstopstelsel worden gebruikt voor continue valbeveiliging (100% zekering) bij stijgen, dalen of zijwaartse beweging (zie afbeelding 15). Met de lijnkant van één SRD bevestigd aan een verankeringspunt, kan de medewerker naar een nieuwe plaats bewegen, de ongebruikte lijn van de andere SRD aan een ander verankeringspunt bevestigen, en zich dan losmaken van het oorspronkelijke verankeringspunt. Deze reeks handelingen wordt herhaald totdat de gebruiker de gewenste bestemming heeft bereikt. Overwegingen bij gebruik van dubbele SRD-toepassingen met 100% zekering omvatten het volgende:
- Verbind nooit beide SRD-lijnen aan hetzelfde ankerpunt (zie afbeelding 16A).
 - Het aansluiten van meer dan één verbinding aan één enkel verankeringspunt (ring of oog) kan de werking van de verbinding in gevaar brengen door interactie tussen de connectoren, en wordt daarom afgeraden.
 - Het verbinden van elke SRD-lijn aan een apart ankerpunt is wel acceptabel (afbeelding 16B).
 - Elke plaats waar een verbinding wordt gemaakt, moet onafhankelijk 10 kN (2.248 lbs) kunnen dragen, of het moet een technisch systeem zijn, bijvoorbeeld een horizontale valstoplijn.
 - Verbind nooit meer dan één persoon tegelijk aan een Twin SRD-systeem (afbeelding 16C).
 - Zorg ervoor dat de lijnen niet in elkaar gedraaid of verward raken, omdat ze daardoor mogelijk niet meer kunnen terugrollen.
 - Laat lijnen tijdens het gebruik niet onder armen of tussen benen door lopen.
- 4.7 BEVESTIGING TWIN SRD DORSALE D-RING:** Modellen met de drievoudige karabiner kunnen in dubbele configuratie aan de dorsale D-ring worden bevestigd. Om twee SRD's op de dorsale D-ring van een harnas te bevestigen (afbeelding 13):
- 1. De drievoudige karabiner openen:** Met de drievoudige karabiner georiënteerd zoals afgebeeld, drukt u de vergrendelingsmof (C) naar rechts. Vervolgens draait u met de klok mee om de poort (D) te ontgrendelen. Beweeg de gate (D) naar beneden om hem te openen.
 - 2. Lus de eerste SRD aan de drievoudige karabiner:** Steek de neus van de connector (E) door het draaibare oog (F) op de SRD. Roteer dan de SRD naar het gate-uiteinde van de connector (G). De gate kan worden gesloten om ruimte te maken voor het draaibare oog tussen de gate en het middenstuk van de connector.
 - 3. Voeg de tweede SRD aan de drievoudige karabiner toe:** Schuif het draaibare oog (F) van de SRD over de neus van de connector (E).
 - 4. Lus de drievoudige karabiner door de D-ring:** Steek de neus van de connector (E) door de dorsale D-ring (A). Draai de connector door de D-ring totdat de poort kan worden gesloten.
 - 5. De drievoudige karabiner sluiten:** Laat de gate (D) sluiten en laat de vergrendelingsmanchet (C) terugdraaien naar de vergrendelde positie.
- 4.8 HORIZONTALE SYSTEMEN:** In toepassingen waar de SRD wordt gebruikt in verbinding met een horizontaal systeem (d.w.z. horizontale valstoplijn, horizontale I-balkrolley), moeten de SRD en de componenten van het horizontale systeem compatibel zijn. Horizontale systemen moeten worden ontworpen en geïnstalleerd onder toezicht van een gekwalificeerde technicus. Raadpleeg de instructies van de fabrikant van de horizontale systemen voor meer details.

De waarden voor de valspeling in Afbeelding 4 zijn gebaseerd op verankering op een stijf, vast verankeringspunt en zijn niet van toepassing op verankering aan een horizontale reddingslijn (HLL)-systeem. Raadpleeg de HLL-handleiding en het HLL-installatieprogramma om de vereiste valspelingen te bepalen.

5.0 Inspectie

- 5.1 RFID-LABEL:** Het zelfintrekkende valstopapparaat heeft een label voor radiofrequentie-identificatie (RFID-label) (zie afbeelding 17). Het RFID-label kan worden gebruikt met de draagbare lezer en het webportaal voor het vereenvoudigen van de inspectie en inventariscontrole, en biedt logboekmogelijkheden voor uw valbeschermingsapparatuur. Neem voor meer informatie contact op met een vertegenwoordiger van de 3M-klantenservice (zie achterzijde). Volg de instructies die bij uw draagbare afleesapparaat zijn meegeleverd of op het webportaal om uw gegevens naar uw weblog te verzenden.
- 5.2 REGELMAAT VAN INSPECTIE:** Het zelfintrekkende valstopapparaat moet worden geïnspecteerd met de frequentie die is gedefinieerd in sectie 2. De inspectieprocedures zijn beschreven in het "Logboek voor inspectie en onderhoud" (tabel 3).

Extreme werkomstandigheden (ruige omgeving, langdurig gebruik, enz.) kunnen een verhoogde frequentie van inspecties vereisen (zie tabel 2).

- 5.3 ONVEILIGE OF GEBREKKIGE OMSTANDIGHEDEN:** Als inspectie een onveilige of defecte toestand uitwijst, gebruik de SRD dan niet meer en gooi hem weg (zie sectie 6).

Alleen 3M of partners die hiervoor schriftelijk zijn geautoriseerd, mogen deze apparatuur repareren.

- 5.4 LEVENSDUUR VAN HET PRODUCT:** De functionele levensduur van de 3M zelfintrekkende valstopapparaten wordt bepaald door de gebruiksomstandigheden en het onderhoud. Zolang het product bij inspectie aan de criteria voldoet, kan het in gebruik blijven (binnen de maximale levensduur van het product). De maximale levensduur van het product van een SRD met bandreddingslijnen van textiel is niet meer dan 10 jaar vanaf de fabricagedatum.

6.0 ONDERHOUD, SERVICE en OPSLAG

- 6.1 REINIGEN:** Reinigingsprocedures voor de SRD zijn als volgt:

- Maak de buitenkant van de SRD regelmatig schoon met water en een milde zeepoplossing. Plaats de SRD zodanig dat overtollig water eruit kan weglopen. Zorg ervoor dat labels schoon zijn.
- Maak de bandvalstoplijn schoon met water en een milde zeepoplossing. Spoel af en droog grondig aan de lucht. Droog niet geforceerd met warmte. De valstoplijn moet droog zijn voordat u hem laat terugrollen in de behuizing. Overmatige hoeveelheden vuil, verf enzovoort kunnen ertoe leiden dat de lijn niet meer volledig in de behuizing wordt teruggetrokken, wat mogelijk kan leiden tot een vrije val.

- 6.2 ONDERHOUD:** SRD's kunnen niet worden gerepareerd. Als de SRD heeft blootgestaan aan valkrachten of als bij inspectie een onveilige of defecte toestand wordt geconstateerd, gebruik de SRD dan niet meer en gooi hem weg (zie "Afvoeren").

- 6.3 TRANSPORT/OPSLAG:** Bewaar en vervoer de SRD's in een koele, droge, schone omgeving, uit de buurt van direct zonlicht. Vermijd plekken waar chemische dampen kunnen voorkomen. Inspecteer de SRD grondig na een langere periode van opslag.

- 6.4 WEGGOOIEN:** Gooi de SRD weg als deze heeft blootgestaan aan een valkracht of als uit inspectie blijkt dat deze onveilig of defect is. Snijd voor het afvoeren van de SRD de reddingslijn in tweeën of maak de SRD anderszins onklaar om de mogelijkheid van onbedoeld hergebruik te voorkomen.

7.0 Labels

Afbeelding 22 toont labels op de zelfintrekkende valstopapparaten en hun locaties. Alle labels moeten aanwezig zijn op de zelfintrekkende lijn. Labels moeten worden vervangen wanneer ze niet volledig leesbaar zijn. De pictogrammen op de labels worden als volgt gedefinieerd:

1	Inspecteer de musketonhaak en de inslagindicator
2	Inspecteer de vergrendelende werking van de SRL
3	Juiste manier van op het harnas aansluiten van de SRL
4	Niet gecertificeerd voor scherpe randen. Kan worden verbonden aan een ankerpunt boven, onder of op gelijke hoogte als de D-ring op de rug (140 kg maximaal).
5	Temperatuurbereik voor gebruik -40 °C tot +60 °C
6	Maximale capaciteit 140 kg
7	Laat de reddingslijn altijd gecontroleerd teruggaan in de SRL.
8	Niet repareren
9	In een koele, droge, schone omgeving opslaan, weg van direct zonlicht.
10	Niet over een rand heen belasten
11	Label niet verwijderen

Tabel 3 – Inspectie- en onderhoudslogboek

Serienummer(s):		Aankoopdatum:	
Modelnummer:		Datum van eerste gebruik:	
Inspectiedatum:		Geïnspecteerd door:	
Onderdeel:	Inspectie: <i>(Zie sectie 2 voor inspectiefrequentie)</i>	Voldoet	Voldoet niet
SRD (Afbeelding 18)	Inspecteer op losse bevestigingen of beschadigde onderdelen.	<input type="checkbox"/>	<input type="checkbox"/>
	Inspecteer de behuizing (A) op vervorming, barsten of andere schade.	<input type="checkbox"/>	<input type="checkbox"/>
	Inspecteer het draaipunt (B) en het draaibare oog (C) of de integraalverbinding (D) op vervorming, barsten of andere schade. Het draaipunt moet veilig aan de SRL bevestigd zijn, maar vrij kunnen draaien. Het zwenkoog of de integraalverbinding moeten vrij kunnen draaien in het draaipunt.	<input type="checkbox"/>	<input type="checkbox"/>
	De valstoplijn (E) moet volledig uittrekken en weer terugtrekken zonder aarzelingen of verlies van spanning op de lijn.	<input type="checkbox"/>	<input type="checkbox"/>
	Controleer of de SRD blokkeert wanneer er krachtig aan de valstoplijn wordt getrokken. Het blokkeren moet duidelijk optreden, zonder slippen.	<input type="checkbox"/>	<input type="checkbox"/>
	Alle labels moeten aanwezig en geheel leesbaar zijn (zie afbeelding 20).	<input type="checkbox"/>	<input type="checkbox"/>
	Inspecteer de gehele SRD op tekenen van corrosie.	<input type="checkbox"/>	<input type="checkbox"/>
Eindverbindingen (Afbeelding 19)	Tabel 2 toont de eindverbindingen die bij uw Nano-Lok SRD-model horen. Inspecteer alle musketonhaken, karabiniers, wapeningshaken, interfaces, enz. op tekenen van schade of corrosie, en op een juiste werking. Waar aanwezig: Gates moeten correct openen, sluiten, ver- en ontgrendelen, en vergrendelingsknoppen en vergrendelingspinnen moeten correct werken.	<input type="checkbox"/>	<input type="checkbox"/>
Valstoplijn (Afbeelding 20)	Inspecteer de singelband; het materiaal mag geen insnijdingen (A), rafels (B) of gebroken vezels vertonen. Controleer op scheuren, schuurplekken, zware vervuilingen (C), schimmels, brandplekken (D) of verkleuringen. Inspecteer het stiksel; controleer op uitgetrokken of doorgesneden steken. Gebroken steken kunnen erop wijzen dat het harnas aan krachten is blootgesteld en niet langer gebruikt mag worden.	<input type="checkbox"/>	<input type="checkbox"/>
Schokbreker (Afbeelding 21)	Controleer of de integrale schokbreker niet geactiveerd is. Een open of gescheurde afdekking (A), een uit de afdekking getrokken singelband, een gescheurde of gerafelde singelband (B), kapot stiksel, enz. duiden erop dat de schokdemper geactiveerd is.	<input type="checkbox"/>	<input type="checkbox"/>
Oplossing/Onderhoud:		Goedgekeurd door:	
		Datum:	
Oplossing/Onderhoud:		Goedgekeurd door:	
		Datum:	
Oplossing/Onderhoud:		Goedgekeurd door:	
		Datum:	
Oplossing/Onderhoud:		Goedgekeurd door:	
		Datum:	
Oplossing/Onderhoud:		Goedgekeurd door:	
		Datum:	
Oplossing/Onderhoud:		Goedgekeurd door:	
		Datum:	
Oplossing/Onderhoud:		Goedgekeurd door:	
		Datum:	

SIKKERHETSINFORMASJON

Vennligst les, forstå og følg all sikkerhetsinformasjon i disse instruksjonene før du tar i bruk denne selvinntrekkingsenheten (SRD). UNNLATELSE AV Å GJØRE DETTE KAN FØRE TIL ALVORLIG SKADE ELLER DØD.

Disse instruksjonene må gis til brukeren av utstyret. Ta vare på disse instruksjonene for fremtidig referanse.

Tilsiktet bruk:

Denne selvinntrekkingsenheten er beregnet for bruk som del av et komplett personlig fallsikringssystem.

Bruk i en hvilken som helst annen sammenheng inkludert, men ikke begrenset til, materialhåndtering, fritidsbruk eller idrettsrelaterte aktiviteter, eller andre aktiviteter som ikke beskrives i Brukerinstruksjonene, er ikke godkjent av 3M og kan resultere i alvorlig personskaade eller død.

Denne innretningen skal bare brukes av opplærte brukere i arbeidsplassanvendelser.

! ADVARSEL

Denne selvinntrekkingsenheten er del av et personlig fallsikringssystem. Det forventes at alle brukere er fullt opplært i sikker installering og betjening av deres personlige fallsikringssystem. **Misbruk av denne innretningen kan resultere i alvorlig personskaade eller død.** For riktig utvalgelse, betjening, installering, vedlikehold og service, se disse Bruksanvisningene, inkludert alle produsentens anbefalinger, snakk med din arbeidsleder, eller kontakt 3M-tekniske tjenester.

- **For å redusere risikoen som er forbundet med å arbeide med en SRD som, om det ikke unngås, kan resultere i alvorlig personskaade eller død:**
 - Før hver enkelt bruk inspiseres SRD-en og sjekkes for skikkelig låsing og inntrekking.
 - Hvis inspeksjonen avdekker en utrygg eller defekt tilstand, må enheten tas ut av tjeneste og du må ta kontakt med et autorisert servicesenter for å få den reparert.
 - Hvis SRD-en har vært utsatt for fallstans eller stor kraft, må du straks ta SRD-en ut av tjeneste og merke enheten "UBRUKELIG".
 - Pass på at livlinen holdes fri fra alle hindringer inkludert, men ikke begrenset til; innsurring i bevegelig maskineri eller utstyr (f.eks., rotasjonssystemet for oljerigger), andre arbeidere, deg selv, omgivende gjenstander, eller støt fra overliggende gjenstander som kan falle ned på livlinen eller arbeideren.
 - Tillat aldri slark i livlinen. Ikke bind eller slå knute på livlinen.
 - Fest de ubrukte bena i seletøymontert SRD til parkeringsfestene i seletøyet hvis det er utstyrt.
 - Ikke bruk i applikasjoner som har en blokkert fallbane. Arbeid på materiale som langsomt forskyver seg, som sand eller kornet overflate, eller arbeid på trange eller innestengte plasser, vil kunne gjøre det umulig for arbeideren å oppnå tilstrekkelig hastighet til at SRD-en kan låse seg. For at SRD-en skal låses sikkert, trengs det en fri bane for fallet.
 - Unngå plutselige eller raske bevegelser under normal arbeidsoperasjon. Dette kan forårsake at innretningen låser seg.
 - Sørg for at fallsikringssystemer/undersystemer som er satt sammen av komponenter fremstilt av forskjellige produsenter er kompatible og oppfyller kravene i gjeldende standarder, inkludert ANSI Z359 eller andre gjeldende fallsikringsnormer, standarder eller krav. Rådfør deg alltid med en kompetent og/eller kvalifisert person før du bruker disse systemene.
- **For å redusere risikoen som er forbundet med arbeid i høyden, om det ikke unngås, kan resultere i alvorlig personskaade eller død:**
 - Sørg for at din helse og fysiske tilstand gjør det mulig for deg sikkert å motstå alle de krefter som er forbundet med arbeid i høyden. Rådfør deg med legen din hvis du har noen spørsmål angående din evne til å bruke dette utstyret.
 - Du må aldri overskride tillatt kapasitet for ditt fallsikringsutstyr.
 - Du må aldri overskride maksimal frifallavstand for ditt fallsikringsutstyr.
 - Ikke bruk noe fallsikringsutstyr som ikke består inspeksjoner før bruk eller andre planmessige inspeksjoner, eller dersom du har bekymringer om bruken, eller om hvor egnet utstyret kan være for ditt bruksområde. Kontakt 3M Tekniske tjenester med eventuelle spørsmål.
 - Noen delsystemer og delekombinasjoner kan hindre bruken av dette utstyret. Bruk kun kompatible koblinger. Kontakt 3M dersom dette utstyret blir brukt sammen med andre komponenter eller delsystemer enn de som beskrives i brukerinstruksjonene.
 - Utvis ekstra forsiktighet når du arbeider rundt bevegelig maskineri (f.eks. rotasjonssystemet for oljerigger), elektriske farer, ekstreme temperaturer, kjemiske farer, eksplosive eller giftige gasser, skarpe kanter, eller nedenfor overhengende materialer som kan falle ned på deg eller ditt fallsikringsutstyr.
 - Bruk lysbueflamme eller Hot Works-innretninger når du arbeider i miljøer med høy varme.
 - Unngå overflater og gjenstander som kan skade brukeren eller utstyret.
 - Sørg for at det er tilstrekkelig fallklaring når du arbeider i høyden.
 - Du må aldri modifisere eller endre på ditt fallsikringsutstyr. Bare 3M eller virksomheter med skriftlig godkjenning kan reparere dette utstyret.
 - Før bruk av fallsikringsutstyr, pass på at det finnes en redningsplan som muliggjør rask redning hvis et falluhell skulle inntreffe.
 - Hvis et falluhell inntreffer, søk umiddelbart medisinsk hjelp for den arbeideren som har falt.
 - Ikke bruk støttebelter til fallstoppbruk. Bruk kun en helkroppssele.
 - Minimer svingfall ved å arbeide så rett under forankringspunktet som mulig.
 - Hvis du trener med denne innretningen, må et sekundært fallsikringssystem benyttes på en slik måte at det ikke eksponerer lærlingen for en utilsiktet fallfare.
 - Ha alltid på hensiktsmessig personlig verneutstyr når du installerer, bruker eller inspiserer innretningen/systemet.

Skriv ned produktidentifikasjonen fra ID-merket i Inspeksjons- og vedlikeholdsloggen på baksiden av denne veiledningen før installasjon og bruk av utstyret.

BESKRIVELSE:

Figur 2 viser nøkkelkomponentene i 3M™ DBI-SALA® Nano-Lok selvinntrekkende enheter (SRD-er). Nano-Lok SRD-er er trommelviklede livliner (A) med en innebygget falldemper (B) som trekkes inn i et nylonhus (C). Et sviveløye (D) på toppen av huset muliggjør feste på et gyldig forankringspunkt med en karabinkrok (E) eller montering på en helkroppssele med en selekobling (F). Figur 1 viser tilgjengelige Nano-Lok-modeller og koblingene deres. Se tabell 1 for spesifikasjonene til Nano-Lok-SRD og -koblinger.

Tabell 1 – Spesifikasjoner

Komponentspesifikasjoner:

SRL-hus	Nylon
Trommel	Nylon
Innvendige komponenter	Rustfritt stål, aluminium
Livline	Dyneema polyester
Falldemper	Deksel: Nitrilgummi, Line: Polyester, Søm: Polyester eller nylontråd
Svingfeste	Forsinket stål

Spesifikasjoner for koblingen:

	Beskrivelse	Materiale	Låsåpning	Låsstyrke	Strekfasthet
①	Sviveløye	Stål	22,35 mm (0,88 in.) innvendig diameter	X	22,2 kN (5000 lbs)
②	Karabinkrok	Aluminium	19 mm (3/4 in.)	16 kN (3600 lbs)	22.2 kN (5000 lbs)
③	Karabinkrok	Stål	19 mm (3/4 in.)	16 kN (3600 lbs)	22.2 kN (5000 lbs)
④	Enkel SRD-kobling	Stål	51 mm (2 in.)	16 kN (3600 lbs)	22.2 kN (5000 lbs)
⑤	Dobbel SRD-kobling	Stål m/nyloninnlegg	19 mm (3/4 in.)	16 kN (3600 lbs)	22.2 kN (5000 lbs)
⑥	Karabinkrok	Aluminium, stål	56 mm (2,19 in.)	16 kN (3600 lbs)	22.2 kN (5000 lbs)
⑦	Karabinkrok	Aluminium	19 mm (3/4 in.)	16 kN (3600 lbs)	22.2 kN (5000 lbs)
⑧	Armeringskrok	Aluminium	57 mm (2-1/4 in.)	16 kN (3600 lbs)	22.2 kN (5000 lbs)
⑨	Armeringskrok	Aluminium	63 mm (2-1/2 in.)	16 kN (3600 lbs)	22.2 kN (5000 lbs)
⑩	Karabinkrok	Aluminium	52 mm (2 in.)	16 kN (3600 lbs)	22.2 kN (5000 lbs)
⑪	Armeringskrok	Aluminium, stål	63 mm (2-1/2 in.)	16 kN (3600 lbs)	22.2 kN (5000 lbs)
⑫	Karabinkrok	Stål	19 mm (3/4 in.)	16 kN (3600 lbs)	22.2 kN (5000 lbs)
⑬	Armeringskrok	Aluminium	57 mm (2-1/4 in.)	16 kN (3600 lbs)	22.2 kN (5000 lbs)
⑭	Sikkerhetskrok	Stål	19 mm (3/4 in.)	16 kN (3600 lbs)	22.2 kN (5000 lbs)

Ytelsesspesifikasjoner:

Spesifikasjoner for SRL (vertikal)	CE-modeller	
Kapasitetsområde	59-100 kg (130-220 lbs)	100-140 kg (220-310 lbs)
Maksimal bremsekraft	6 kN (1350 lbs)	6 kN (1350 lbs)
Gjennomsnittlig bremsekraft	4 kN (900 lbs)	4 kN (900 lbs)
Påstått maksimal bremseavstand¹	0,61 m (24 in.)	0,61 m (2 ft)
Minimum nødvendig fallklaring¹	1,5 m (5 ft)	1,8 m (5,8 ft)
Maksimalt fritt fall²	1,5 m (5 ft)	1,5 m (5 ft)

1 – Forutsetter at SRL-en er montert direkte over sluttbrukeren.

2 – Målt fra brukerens D-ring til gang-/arbeidsflaten. Se fallklaringsdiagram for mer informasjon.

1.0 BRUKSOMRÅDER

- 1.1 FORMÅL:** Selvinntrekkende enheter (SRD-er) er laget for å utgjøre en komponent i et personlig fallsikringssystem (PFAS). Figur 1 illustrerer SRD-er som dekkes av denne brukerhåndboken. De kan brukes i situasjoner hvor arbeidere har behov for både mobilitet og fallsikring (inspeksjonsarbeid, vanlig bygningsarbeid, vedlikeholdsarbeid, oljeproduksjon, arbeid i plassbegrensede områder osv.).
- 1.2 STANDARDER:** SRD-en oppfyller kravene til nasjonale standarder som oppgis på omslaget til denne brukerveiledningen. Det henvises til lokale og nasjonale krav til arbeidssikkerhet for mer informasjon om personlig fallsikring.
- 1.3 OPPLÆRING:** Dette utstyret er beregnet på bruk av personer som har fått opplæring i korrekt bruk. Det er brukerens ansvar å sørge for at de kjenner til denne veiledningen, og har fått opplæring i korrekt vedlikehold og bruk av utstyret. Brukere må være kjent med bruksegenskapene, begrensningene for bruk og konsekvensene av uriktig bruk.
- 1.4 BEGRENSNINGER:** Ta alltid hensyn til følgende begrensninger ved installering eller bruk av dette utstyret:

- **Kapasitet:** SRD-er er laget for bruk av personer med en samlet vekt (inklusive verktøy, klær osv.) som overholder kapasitetsområdet oppgitt i tabell 1. Sørg for at alle komponentene i systemet er godkjent for en kapasitet som er egnet for bruksområdet.
- **Forankring:** SRD-ens forankringsstruktur må kunne tåle en belastning på opptil 12 kN (2697 lbs). Forankringsinnretninger må være i overensstemmelse med EN795 eller andre gjeldende forankringsstandarder.
- **Låsehastighet:** Unngå situasjoner som gjør det umulig å ha en hindringsfri fallbane. Arbeid på svært snevre eller trange områder, eller en skrå flate, kan føre til at kroppen ikke oppnår tilstrekkelig hastighet til å få SRD-en til å låse seg hvis et fall skulle inntreffe. Arbeid på materialer som flytter seg sakte, for eksempel sand eller grus, kan føre til at hastigheten ikke bygger seg opp raskt nok til at SRD-en låser seg. For at SRD-en skal låses sikkert, trengs det en fri bane for fallet.
- **Fritt fall:** Når SRD-er forankres over brukeren, begrenses fritt-fall-avstanden til 0,6 m (2 fot)¹. For å unngå større fallavstander, bør SRD-en forankres rett over arbeidsnivået. SRD-en må aldri festes til et ankerpunkt som medfører et fritt fall på over 1,5 m (5 fot). Unngå å arbeide på steder hvor livlinen kan krysse eller floke seg med linen til en annen arbeider. Unngå å jobbe på steder hvor en gjenstand kan falle og treffe livlinen, da dette igjen kan føre til tap av balanse eller skade på linen. Ikke la linen gå under armene eller mellom bena. Livlinen må aldri klemmes, knyttes eller på noen annen måte hindres i å trekkes inn eller spennes. Unngå slakk line. **Ikke gjør SRD-er lengre ved å koble til en støttelinje eller lignende komponent uten å rådføre deg med 3M.**
- **Svingfall:** Svingfall inntreffer når forankringspunktet ikke befinner seg rett ovenfor punktet hvor et fall inntreffer. Kraften av et sammenstøt med et objekt i et svingfall kan medføre alvorlig skade (se figur 3A). Minimer svingfall ved å arbeide så rett under forankringspunktet som mulig (figur 3B). Arbeid som utføres unna forankringspunktet (figur 3C) skaper et større svingfall og øker den nødvendige fallklaringen (FC).
- **Fallklaring:** Figur 3B viser beregningen av fallklaringen. Fallklaring (FC) er summen av fritt fall (FF), bremselengde (DD) og en sikkerhetsfaktor (SF): $FC = FF + DD + SF$. D-ringglidning og selestrekkning er inkludert i sikkerhetsfaktoren. Fallklaringsverdier er beregnet og kartlagt i figur 4. En sikkerhetsfaktor på 1 m (3,28 ft) ble brukt for alle verdier i figur 4.

Figur 4 viser fallklaring (FC) basert på den horisontale (H) og vertikale (V) avstanden mellom det bakre SRD-koblingspunktet og forankringspunktet. Hver horisontale linje i diagrammet/diagrammene representerer den vertikale avstanden fra forankringspunktet. Hver vertikale linje representerer den horisontale avstanden fra forankringspunktet. Fallklaringsverdien (FC) bestemmes av sonen (parabolske linjer) hvor de horisontale (H) og vertikale (V) linjene krysser hverandre. Eksempelet i figur 4 viser hvordan du bestemmer den nødvendige fallklaringsverdien (FC) for angitte vertikale (V) og horisontale (H) avstander.

Variable forankringspunkter: Fallklaringene i figur 4 er basert på et fast og stasjonært ankerpunkt. Ved forankring på en horisontal livlinje (HLL) eller et bevegelig ankerpunkt som kan gli eller endre form under et fall, gjelder ikke fallklaringsverdiene i figur 4. Se instruksjonene til HLL-en eller ankeret for mer informasjon angående nødvendige fallklaringer, bøyninger og/eller formendring.

Knele eller stå på huk: Klaringsdiagrammene i figur 4 forutsetter at brukeren står. Hvis brukeren kneler eller står på huk, kreves ytterligere 0,9 m (3 fot) fallklaring.

Forankringen må aldri være under føttene: Linen må aldri festes til et forankringspunkt som er under føttene.

- **Farer:** Hvis utstyret brukes i farlige områder, kan det være nødvendig med ekstra forholdsregler for å redusere faren for personskader eller skader på utstyret. Farer kan inkludere, men er ikke begrenset til: sterk varme, kaustiske kjemikalier, korrosive miljøer, høyspenningslinjer, eksplosive eller giftige gasser, maskineri i bevegelse eller materialer i høyden som kan falle ned på brukeren eller fallsikringssystemet. Unngå å arbeide på steder hvor livlinen kan krysse eller floke seg med andre liner. Unngå å arbeide der et objekt kan falle og treffe livlinen, da dette kan føre til tap av balansen eller skade på linen. Ikke la linen gå under armene eller mellom bena.
- **Skarpe kanter:** Skarpe kanter som SRD-linen kan komme i kontakt med under et fall, må ha en minsteradius på 0,3 cm (0,125 tommer). Hvis det ikke er mulig å unngå kontakt med skarpe kanter, må du dekke til kanten med et beskyttende materiale.

¹ **Fritt fall:** Ved riktig bruk av SRD-en, dvs. når brukeren arbeider rett under forankringspunktet og livlinen er stram, fjernes muligheten for fritt fall. Se figur 4 for informasjon om hvilke forankringssteder som kan brukes.

2.0 Systembruk

- 2.1 FALLSIKRINGS- OG REDNINGSPLAN:** Arbeidsgiveren må ha en fallsikrings- og redningsplan. Planen skal gi veiledning og stille krav til en arbeidsgivers fallsikringsprogram, som omfatter retningslinjer, plikter og opplæring, fallsikringsprosedyrer, fjerning og kontroll av fallrisiko, redningsprosedyrer, granskning av ulykker og evaluering av programmets effektivitet.
- 2.2 INSPEKSJONSHYPPIGHET:** SRD-er skal undersøkes av en autorisert person¹ eller redningsperson² før hver bruk (se tabell 3). I tillegg skal de inspiseres av en annen kompetent person³ enn brukeren. Ekstreme arbeidsforhold (tøft miljø, langvarig bruk osv.) kan gjøre det nødvendig med hyppigere inspeksjoner utført av en kompetent person. Den kompetente personen må bruke *inspeksjonstabellen* (tabell 2) for å fastsette passende inspeksjonsintervaller. Prosedyrene for inspeksjon beskrives i *inspeksjons- og vedlikeholdsloggen* (tabell 3). Resultatene fra inspeksjoner som er utført av en kompetent person må registreres i *inspeksjons- og vedlikeholdsloggen* eller registreres i RFID-systemet (se avsnitt 5).
- 2.3 NORMAL BRUK:** Ved normal bruk kan livlinen trekkes ut og inn uten hindringer, og det oppstår ikke slakk når brukeren beveger seg med normal hastighet. Ved et fall, vil et hastighetsfølende bremsesystem aktiveres og stanse fallet, samt absorbere mye av energien som oppstår. Plutselige eller raske bevegelser bør unngås under vanlig arbeid, da dette kan få SRD-en til å låse seg. For fall som inntreffer mot slutten av livlinebevegelsen, finnes det et reserve-livlinesystem eller en energiabsorberer innlemmet i systemet, for å begrense fallsikringskreftene på brukeren.
- 2.4 KROPPSSTØTTE:** En full kroppssele må brukes sammen med den selvinntrekkende enheten. Koblingspunktet på helselen må være over brukerens tyngdepunkt. Et kroppsbelt er ikke autorisert for bruk med den selvinntrekkende enheten. Hvis det skjer et fall med et kroppsbelt, kan dette føre til utilsiktet utløsning og muligens fysisk traume på grunn av feil kroppsstøtte.
- 2.5 KOMPONENTKOMPATIBILITET:** Med mindre annet er angitt, er utstyr fra 3M kun laget for bruk sammen med komponenter og delsystemer som er godkjent av 3M. Utskifting eller erstatning med ikke-godkjente komponenter og delsystemer kan påvirke utstyrets kompatibilitet, som kan gå ut over sikkerheten og påliteligheten til hele systemet.
- 2.6 KOBLINGSKOMPATIBILITET:** Koblinger anses å være kompatible med koblingselementene når de er konstruert for å virke sammen på en slik måte at størrelse og form ikke får lukkemekanismene til å åpnes utilsiktet, uansett hvordan de posisjoneres. Kontakt 3M hvis du har spørsmål om kompatibilitet. Koblingene (kroker, karabinkroker og D-ringer) må være i stand til å tåle minst 22,2 kN (5000 lbs). Koblingene må være kompatible med forankringer og andre systemkomponenter. Ikke bruk utstyr som ikke er kompatibelt. Ikke-kompatible koblinger kan løsne utilsiktet (se figur 5). Påse at koblingene er kompatible når det gjelder størrelse, form og styrke. Selvlåsende låsekroker og karabinkroker må brukes. Hvis koblingselementet, som en sikkerhetskrok eller karabinkrok er festet til, er for lite eller har en ujevn form, kan det oppstå en situasjon der koblingselementet overfører kraft på krokens feste (A). Denne kraften kan gjøre at festet åpnes (B), og dermed kan sikkerhetskroken eller karabinkroken løsne fra tilkoblingspunktet (C).
- 2.7 KOBLINGER:** Sikkerhetskrokene og karabinkrokene som brukes med dette utstyret, må være selvlåsende. Påse at koblingene er kompatible i forhold til størrelse, form og styrke. Ikke bruk utstyr som ikke er kompatibelt. Påse at alle koblinger er fullstendig lukket og låst. 3M-koblinger (kroker og karabinkroker) er kun beregnet til bruk slik det er spesifisert i produktets brukerveiledning. Se Figur 6 for eksempler på feilaktige koblinger.

Ikke fest låsekroker og karabinkroker:

- A. til en D-ring hvor det allerede finnes en annen kobling
- B. på en måte som vil føre til belastning på porten, dvs. sikkerhetskroker med stor halskrok skal ikke kobles til D-ringer av standard størrelse eller liknende gjenstander, da dette vil resultere i belastning på krokens feste dersom kroken eller D-ringen vrir seg eller roterer, med mindre kroken er utstyrt med et 16 kN (3600 lbs) feste.
- C. i et falskt feste, hvor størrelsen eller formen til den motsvarende koblingen ikke er kompatibel, og hvor manglende visuell bekreftelse gjør at det virker som om krokene er riktig festet.
- D. til hverandre
- E. direkte til stropper eller livliner eller tilbakekobling av tau (med mindre produsentens veiledning for både livlinen og koblingen spesifikt tillater dette)
- F. til et objekt som er formet eller dimensjonert slik at låsekroken eller karabinkroken ikke vil lukke og låse, eller hvor utrulling kan forekomme
- G. på en måte som gjør at koblingen ikke er korrekt innrettet under belastning

Tabell 2 – Inspeksjonsplan

Brukstype	Brukseksimpler	Bruksvilkår	Inspeksjonsintervaller
			Kompetent person
Sjelden til lett	Redning og innelukkede områder, fabrikkvedlikehold	Gode oppbevaringsforhold, innendørs eller sjelden utendørs bruk, romtemperatur, rene omgivelser	Årlig
Moderat til kraftig	Transport, boligbygging, forsyningstjenester, lager	Greie oppbevaringsforhold, innendørs og utvidet utendørs bruk, alle temperaturer, rene eller støvete omgivelser	Halvårlig til årlig
Omfattende til kontinuerlig	Næringsbygg, olje og gass, gruvearbeid	Tøffe oppbevaringsforhold, langvarig eller kontinuerlig utendørs bruk, alle temperaturer, skitne omgivelser	Kvartalsvis til halvårlig

1 Autorisert person: En person som er utnevnt av arbeidsgiver til å utføre oppgaver på stedet hvor personen vil være utsatt for fallrisiko.

2 Bergingsarbeider: En annen person eller andre personer enn den bergede som utfører en assistert bergingsoperasjon ved bruk av et bergingssystem.

3 Kvalifisert person: En person, utnevnt av arbeidsgiveren, som ansvarlig for ledelse, implementering og overvåking av den ansattes fallsikringsprogram, og som, via opplæring og kunnskap, er i stand til å påvise, evaluere og håndtere eksisterende og potensielle fallfarer, og har autorisasjon til å ta rask affære når slike farer påvises.

3.0 Montering

3.1 PLANLEGGING: Planlegg fallsikringssystemet før du begynner å arbeide. Vurder faktorer som kan påvirke sikkerheten din før, under og etter et fall. Ta hensyn til alle krav og begrensninger som defineres i del 2.

I de fleste brukstilfeller kan Nano-Lok SRD kobles til forankringspunktet eller bak på kroppsselen. Begge orienteringer er tillatt, bortsett fra det som er angitt i del 4.

3.2 FORANKRING: Figur 7 viser typiske forankringskoblinger for SRD-er. Velg forankringsstedet nøye for å redusere risikoen for fritt fall og svingfall (se del 1). Velg et solid forankringspunkt som tåler den statiske belastningen som er beskrevet i del 1. Når det ikke er mulig å forankre over brukeren, kan Nano-Lok SRD-er festes til et forankringspunkt under nivået til brukerens bakre D-ring. For brukere som veier opptil 140 kg (310 lbs) må forankringspunktet ikke være mer enn 1,5 m (5 ft) under den bakre D-ringen.

3.3 MONTERING AV SELE: Noen SRD-modeller har en enkel eller dobbel SRD-sele kobling hvor SRD-en(e) festes til helkroppsselen rett under brukerens bakre D-ring:

Noen helkroppsseler er utstyrt med en personlig SRD-kobling (PSRL-kobling) som integrerer den bakre D-ringen med festelementer for selemonterte selvinntrekkende enheter (figur 8). Det er også mulig å koble en SRD til kroppsselens dorsale D-ring med en karabinkrok eller låsekrok.

- **Enkel SRD-sele kobling:** Når brukerens bevegelighet er viktig, kan man bruke en SRD-sele kobling på baksiden av helkroppsselen, rett under den bakre D-ringen (se figur 9). Brukeren kan deretter feste seg til forskjellige forankringspunkter på arbeidsstedet med livlineenden på SRD-en, uten å måtte installere SRD-en på nytt hver gang. Slik monteres en SRD på en helkroppsselle med en SRD-sele kobling:
 1. **Løsne selestroppene:** Trekk selestroppene (A) ut der de passerer gjennom bunnen av den bakre D-ringen (B) til det er nok plass til å skyve SRD-koblingen mellom selestroppene og D-ringputen.
 2. **Åpne selekoblingen:** Trykk samtidig ned på låseknappene (C) og skyv ut låsestiften (D).
 3. **Posisjoner SRD-en på selekoblingen:** Før den åpne låsen på selekoblingen gjennom sviveløyet på SRD-en (E). Tre koblingen gjennom sviveløynene, slik at SRD-en henger fra ryggraden på selekoblingen (F).
 4. **Plasser selekoblingen rundt selestroppene:** Plasser den åpne låsen på selekoblingen rundt de løse selestroppene (A).
 5. **Lukk selekoblingen:** Skyv låsestiften til selekoblingen (D) gjennom de løse selestroppene (A) til den går i lås i den motsatte enden av selekoblingen. Trekk selestroppene tilbake gjennom den bakre D-ringen og ryggputen for å feste selekoblingen.

Det røde båndet på hodeenden til selekoblingens låsestift vil være eksponert når selekoblingen er ulåst. For å unngå utilsiktet utløsning av koblingen, må du alltid sørge for at selekoblingen er låst før du bruker selen og den tilkoblede SRD-en. Manglende overholdelse kan føre til skade eller død.

- **Dobbel SRD-sele kobling:** Ved klatring der det kreves 100 % forankring, kan SRD-sele koblingen brukes til å montere to SRD-er ved siden av hverandre på baksiden av helkroppsselen, rett under den bakre D-ringen (se figur 9). Slik monteres to SRD-er på en helkroppsselle med SRD-sele koblingen:
 1. **Løsne selestroppene:** Trekk selestroppene (A) ut der de passerer gjennom bunnen av den bakre D-ringen (B) til det er nok plass til å skyve SRD-koblingen mellom selestroppene og D-ringputen.
 2. **Åpne selekoblingen:** Trykk samtidig ned på låseknappene (C) og skyv ut låsestiften (D).
 3. **Posisjoner SRD-ene på selekoblingen:** Før den åpne låsen på selekoblingen gjennom sviveløyet på SRD-en (E). Tre koblingen gjennom sviveløynene, slik at SRD-en henger fra ryggraden på selekoblingen (F).
 4. **Plasser selekoblingen rundt selestroppene:** Plasser den åpne låsen på selekoblingen rundt de løse selestroppene (A).
 5. **Lukk selekoblingen:** Skyv låsestiften til selekoblingen (D) gjennom de løse selestroppene (A) til den går i lås i den motsatte enden av selekoblingen. Trekk selestroppene tilbake gjennom den bakre D-ringen og ryggputen for å feste selekoblingen.

Det røde båndet på hodeenden til selekoblingens låsestift vil være eksponert når selekoblingen er ulåst. For å unngå utilsiktet utløsning av koblingen, må du alltid sørge for at selekoblingen er låst før du bruker selen og den tilkoblede SRD-en. Manglende overholdelse kan føre til skade eller død.

- **Selemontering med dobbel SRD med fast D-ring:** Eldre modeller av ExoFit helkroppsssele med fast D-ring krever en spesiell SRD-selekobling for å feste to SRD-er på baksiden av kroppsselen, rett under den bakre D-ringen. Slik monteres to SRD-er på en ExoFit helkroppsssele med en SRD-selekobling med fast D-ring (figur 10):
 1. **Løsne selestroppene:** Trekk ut selestroppene (A) der de går gjennom bunnen på den bakre D-ringen (B) til det er nok rom til å plassere SRD-selekoblingen mellom selestroppene og ryggputen.
 2. **Åpne selekoblingen:** Plasser SRD-selekoblingen i stillingen som vist. Skyv deretter låsehylsen (C) til høyre og skru den med klokken for å låse opp låsen (D). Drei låsen (D) ned for å åpne den.
 3. **Tre den første SRD-en inn på selekoblingen:** Før koblingens nese (E) gjennom sviveløyet (F) på SRD-en og roter deretter SRD-en rundt til koblingens låsende (G). Låsen kan lukkes for å gi klaring for sviveløyet mellom låsen og koblingens rygg.
 4. **Posisjoner selekoblingen rundt selestroppene:** Før koblingens nese (E) bak selestroppene (A). Roter koblingen bak selestroppene til koblingen omslutter selestroppene.
 5. **Monter den andre SRD-en på selekoblingen:** Skyv SRD-ens sviveløye (F) over koblingens nese (E) og plasser SRD-ens sviveløye i neseenden på koblingen.
 6. **Lukk selekoblingen:** La låsen (D) dreie på plass og låsehylsen (C) rotere tilbake til låst posisjon. Når selekoblingen er lukket, trekkes selestroppene (A) tilbake gjennom den bakre D-ringen for å ta opp slakk i stroppene og deretter feste selekoblingen mellom selestroppene og ryggputen.
- **Dobbelt karabinkrok fra 3M® DBI-SALA® :** Den doble karabinkroken fra 3M® DBI-SALA® er konstruert for å montere to Nano-Lok SRD-er ved siden av hverandre på baksiden av en helkroppsssele like under den bakre D-ringen (se figur 12). Slik monteres to Nano-Lok SRD-er på en helkroppsssele med den doble karabinkroken:
 1. **Løsne selestroppene:** Trekk selestroppene (A) ut der de passerer gjennom bunnen av den bakre D-ringen (B) til det er nok plass til å skyve koblingen med to ben mellom selestroppene og D-ringputen.
 2. **Åpne den doble karabinkroken:** Skyv på koblingsinnlegget (C) for å løsne klemmene (D) fra koblingen, og drei deretter koblingsinnlegget for å låse opp låsen. Skyv låsen (E) innover for å åpne koblingen.
 3. **Tre den første Nano-Lok SRD-en på den doble karabinkroken:** Før koblingens nese (F) gjennom sviveløyet (G) på SRL-en, og roter deretter SRL-en rundt koblingens låsende (H). Låsen kan roteres mot nesen for å gi klaring for sviveløyet mellom låsen og koblingens rygg.
 4. **Posisjoner den doble karabinkroken rundt selestroppene:** Når låsen vender opp, føres koblingens nese (F) bak stroppene (A). Roter koblingen bak selestroppene til koblingen omslutter selestroppene.
 5. **Monter den andre Nano-Lok SRD-en på den doble karabinkroken:** Skyv SRL-ens sviveløye (G) over koblingens nese (F) og plasser SRL-ens sviveløye i koblingens neseende (I). Drei låsen (E) slik at den lukkes.
 6. **Lukke den doble karabinkroken:** Roter koblingsinnlegget (C) fremover slik at klemmene (D) fester seg på koblingen. Når koblingen er korrekt lukket, skal selestroppene passere gjennom seleåpningen (J) på toppen av koblingsinnlegget, og SRL-ens sviveløyne skal festes i utsparingene (K) på begge sider av koblingsinnlegget. Når selekoblingen er lukket, trekker du selestroppene (A) tilbake gjennom den bakre D-ringen og D-ringputen for å ta opp slakk i stroppene og feste koblingen mellom selestroppene og D-ringputen.
- **Dobbelt karabinkrok fra 3M® DBI-SALA® :** Denne selekoblingen kan brukes til å montere en enkelt Nano-Lok SRL eller to Nano-Lok SRL-er ved bruk til klatring (se figur 11) der det kreves 100 % forankring:
 1. **Løsne selestroppene:** Trekk selestroppene (A) ut der de passerer gjennom bunnen av den bakre D-ringen (B) til det er nok plass til å skyve koblingen med to ben mellom selestroppene og D-ringputen.
 2. **Enkel konfigurasjon:** Plasser sviveløyet til en enkelt SRL i det åpne rommet i midten.
 3. **Dobbelt konfigurasjon:** Plasser sviveløyet til én av SRL-ene i det åpne rommet nærmest stiften og én SRL i det åpne rommet lengst unna stiften.
 4. Skyv stiften tilbake til den klikker på plass. Stiften skal være godt låst.
 5. Trykk samtidig på de to knappene på koblingens seleside mens du skyver ut stiften. Ved å skyve ut stiften skapes det en åpen plass.
 6. Skap litt slakk i stroppe direkte under selens bakre D-ring. Plasser koblingens seleside under D-ringen.
 7. Skyv stiften tilbake på plass, og sørg for at den holder seg under begge stroppe lagene til det høres et klikk. Stiften skal være godt låst.

4.0 BRUK

Brukere som bruker selvinntrekkende enheter (SRD-er) for første gang skal gjennomgå avsnittet «Sikkerhetsinformasjon» i begynnelsen av denne håndboken før SRD-en brukes.

- 4.1 **FØR HVER BRUK:** Før hver bruk av dette fallsikringsutstyret, må det inspiseres nøye for å sørge for at det er i god stand. Se etter slitte eller ødelagte deler. Påse at alle boltene er tilstede og sikre. Kontroller at livlinen trekker seg inn på riktig måte ved å dra linen ut og la den trekkes sakte inn. Hvis det er nøling ved inntrekningen, må utstyret tas ut av bruk og tilintetgjøres. Kontroller livlinen med tanke på kutt, frynser, brannskader, klemskader og korrosjon. Sjekk låsemekanismen ved å dra hardt i linen. Se inspeksjons- og vedlikeholdsloggen (tabell 3) for informasjon om inspeksjoner. Utstyret må ikke brukes dersom en inspeksjon avdekker en utrygg tilstand.
- 4.2 **ETTER ET FALL:** Alt utstyr som har vært utsatt for kreftene ved å stanse et fall eller som er skadet som følge av fallsikringskreftene som beskrevet i tabell 3, må øyeblikkelig tas ut av bruk og destrueres.
- 4.3 **KROPPSSTØTTE:** Ved bruk av SRD må det også brukes kroppsssele. For generell fallbeskyttelse skal D-ringen på ryggen brukes som tilkoplingspunkt.

4.4 TILKOBLING: Figur 5 viser koblinger til kroppssele og forankringspunkter for SDR-fallsikringssystemer. Når det brukes en krok som tilkobling, er det viktig å sørge for at utrulling ikke kan finne sted (se figur 5). Ikke bruk kroker eller koblinger som ikke lukker seg helt over festegjenstanden. Ikke bruk sikkerhetskroker som ikke kan låses. Forankringen må oppfylle kravet til forankringsstyrke som er oppgitt i tabell 2. Produsentens anvisninger, som følger med hver systemkomponent, må alltid følges.

4.5 BRUK: Før bruk må SRD-en inspiseres som beskrevet i tabell 3. Figur 14 viser systemkoblinger for typiske SRD-bruksområder. Koble SRD-en til et egnet forankringspunkt eller fest SRD-en på baksiden av en helkroppssele iht. instruksjonene i del 3. På forankringstilkoblede SRD-er, kobles kroken (D) eller karabinkroken på lastindikatoren til den bakre D-ringen (A) på kroppsselen. På selemonterte SRD-er, festes kroken (D) eller karabinkroken til et passende forankringspunkt. Kontroller at alle koblingene er kompatible når det gjelder størrelse, form og styrke. Sørg for at krokene er fullstendig lukket og låst. Når den er festet, kan brukeren fritt bevege seg på det anbefalte arbeidsområdet med normal fart. Hvis brukeren faller, vil SRD-en låse seg og stanse fallet. Etter redningen må SRD-livlinen tas ut av bruk. Når det arbeides med en SRD, må livlinen alltid få rulle seg kontrollert tilbake inn i enheten.

4.6 DOBBEL SRD-SELEKOBLING, 100 % FORANKRING: Når to SRD-er festes side om side på baksiden av en helkroppssele, kan SRD-fallsikringssystemet brukes til kontinuerlig fallsikring (100 % forankring) når brukeren klatrer opp, ned eller beveger seg sidelengs (se figur 15). Med støttelineenden på én SRD festet til forankringspunktet, kan brukeren bevege seg til et nytt sted, feste den ubrukte støttelineenden til den andre SRD-en i et annet forankringspunkt og deretter koble fra det første forankringspunktet. Denne sekvensen gjentas til arbeideren når frem til ønsket sted. Overveielser ved 100 % forankring med to SRD-er omfatter følgende:

- Begge SRD-livlinene må aldri festes i samme forankringspunkt (se figur 16A).
- Festing av mer enn én kobling til et enkelt forankringspunkt (ring eller øye) kan redusere koblingens kompatibilitet på grunn av interaksjonen mellom koblinger og anbefales ikke.
- Kobling av hver SRD-livline til et separat forankringspunkt er tillatt (figur 16B).
- Hvert koblingspunkt må uavhengig kunne tåle 10 kN (2248 lbs) eller være et konstruert system, i likhet med en horisontal livline.
- Det må aldri kobles mer enn én person om gangen til et dobbelt SRD-system (figur 16C).
- Ikke la livlinene floke seg eller vikles sammen da dette kan forhindre dem fra å kunne trekkes tilbake.
- Ikke la livlinen gå under armene eller mellom bena under bruk.

4.7 MONTERING AV DOBBEL SRD MED BAKRE D-RING: Modeller med karabinkroker som har trippel låse-/åpne mekanisme kan monteres på den bakre D-ringen i en dobbelkonfigurasjon. Slik monteres to SRD-er på den bakre D-ring på en sele (figur 13):

1. **Åpne karabinkroken:** Plasser karabinkroken i stillingen som vist. Skyv deretter låsehylsen (C) til høyre og skru den med klokken for å låse opp låsen (D). Drei låsen (D) ned for å åpne den.
2. **Fest den første SRD-en på karabinkroken:** Før koblingens nese (E) gjennom sviveløyet (F) på SRD-en og roter deretter SRD-en rundt til koblingens låsende (G). Låsen kan lukkes for å gi klaring for sviveløyet mellom låsen og koblingens rygg.
3. **Fest den andre SRD-en på karabinkroken:** Skyv SRD-ens sviveløye (F) over koblingens nese (E).
4. **Tre karabinkroken gjennom D-ringen:** Før koblingens nese (E) gjennom den bakre D-ringen (A). Roter koblingen gjennom D-ringen til låsen kan lukkes.
5. **Lukke karabinkroken:** La låsen (D) dreie på plass og låsehylsen (C) rotere tilbake til låst posisjon.

4.8 HORIZONTALA SYSTEMER: Når SRD-en brukes sammen med et horisontalt system (dvs. horisontal livline, horisontal I-bjelketrinse), må SRD-en og de horisontale systemkomponentene være kompatible. Horisontale systemer må utformes og installeres under overvåking av en kvalifisert ingeniør. Se bruksanvisningen fra produsenten av det horisontale systemet for nærmere opplysninger.

Fallklaringene i figur 4 er basert på et fast og stasjonært forankringspunkt og gjelder ikke for forankring til et horisontalt livlinesystem (HLL). Se brukerveiledningen og konsulter installatøren til det horisontale livlinesystemet for å bestemme nødvendige fallklaringer.

5.0 Inspeksjon

5.1 RFID-MERKE: Den automatiske tilbaketrekkingsenheten inkluderer et radiofrekvensbasert identifikasjonsmerke (RFID) (se figur 17). RFID-merket kan brukes sammen med den håndholdte leseren og den nettbaserte portalen for å forenkle inspeksjon og lagerstyring, samt opprette dokumentasjon for fallsikringsutstyret. Ta kontakt med 3Ms kundeservice for mer informasjon (se omslaget bak). Følg instruksene som fulgte med den håndholdte leseren eller som er oppgitt på nettportalen for å overføre data til nettløgg din.

5.2 INSPEKSJONSINTERVALLER: Den selvinntrekkende enheten må inspiseres iht. intervallene som er definert i del 2. Prosedyrene for inspeksjon beskrives i *inspeksjons- og vedlikeholdsloggen (tabell 3)*.

Ekstreme arbeidsforhold (tøffe miljøer, langvarig bruk osv.), kan gjøre det nødvendig med hyppigere inspeksjoner (se tabell 2).

5.3 UTRYGGE ELLER DEFEKTE TILSTANDER: Hvis inspeksjonen avdekker en usikker eller defekt tilstand, må SRD-en øyeblikkelig tas ut av bruk og avhendes (se del 6).

Kun 3M eller virksomheter med skriftlig godkjenning fra 3M kan reparere dette utstyret.

5.4 PRODUKTLEVETID: Brukstiden for 3Ms selvinntrekkende enheter avhenger av bruksforhold og vedlikehold. Så lenge produktet oppfyller inspeksjonskriteriene, kan det brukes (opptil maksimal produktlevetid). Maksimal produktlevetid for SRD-er med stoffbaserte livliner er ikke mer enn 10 år fra produksjonsdatoen.

6.0 VEDLIKEHOLD, SERVICE og OPPBEVARING

6.1 RENGJØRING: Rengjøringsprosedyrer for SRD-en er som følger:

- Rengjør utsiden av SRD-en regelmessig med vann og en mild såpeløsning. Plasser SRD-en slik at vannet kan renne ut. Rengjør etikettene etter behov.
- Rengjør livlinen med vann og en mild såpeløsning. Skyll linen og la den lufttørke fullstendig. Ikke bruk varme til å tørke. Linen må være tørr før den trekkes inn i huset igjen. Store opphopninger av smuss, maling osv., kan hindre linen fra å trekkes helt inn igjen og kan utgjøre en potensiell risiko for et fritt fall.

6.2 SERVICE: SRD-er kan ikke repareres. Hvis en SRD har vært utsatt for fallkrefter eller en inspeksjon avdekker en usikker eller defekt tilstand, må SRD-en tas ut av bruk og avhendes (se «Avhending»).

6.3 OPPBEVARING OG TRANSPORT: SRD-er må oppbevares og transporteres i et kjølig, tørt og rent miljø som ikke er utsatt for direkte sollys. Unngå områder hvor det kan finnes gasser fra kjemikalier. Inspiser SRD-en nøye etter en lengre oppbevaringsperiode.

6.4 AVHENDING: SRD-en må avhendes hvis den har vært utsatt for fallkrefter eller en inspeksjon avdekker en utrygg eller defekt tilstand. Før en SRD avhendes må livlinen kuttes i to eller ødelegges på annen måte, slik at den ikke kan bli gjenbrukt ved et uhell.

7.0 Merking

Figur 22 viser etikettene og deres plassering på de selvinntrekkende enhetene. Alle etikettene må være synlige på SRD-en. Etikettene må skiftes ut hvis de ikke er fullt leselige. Piktogrammer på etikettene er definert som følger:

1	Inspiser karabinkroken og støtindikatoren
2	Inspiser SRL-ens låsemekanisme
3	Korrekt måte å koble SRL til selen på
4	Ikke sertifisert for skarpe kanter. Kan kobles til et forankringspunkt over, under eller på nivå med den bakre D-ringen (maks. 140 kg).
5	Brukstemperatur fra -40 °C til +60 °C
6	Maksimal kapasitet er 140 kg
7	La alltid livlinen returnere tilbake til SRL under kontroll.
8	Skal ikke repareres
9	SRD-ene må oppbevares på et kjølig, tørt og rent sted som ikke er utsatt for direkte sollys.
10	Må ikke belastes over en kant
11	Ikke fjern etiketten

Tabell 3 – Inspeksjons- og vedlikeholdslogg

Serienummer(e):		Kjøpsdato:	
Modellnummer:		Dato for førstegangsbruk:	
Inspeksjonsdato:		Inspisert av:	
Komponent:	Inspeksjon: (Se del 2 for inspeksjonsintervaller)	Bestått	Ikke bestått
SRD (figur 18)	Kontroller for løse fester eller bøyd og ødelagte deler.	<input type="checkbox"/>	<input type="checkbox"/>
	Kontroller at huset (A) ikke har vridninger, sprekker eller andre skader.	<input type="checkbox"/>	<input type="checkbox"/>
	Kontroller svivelen (B) og sviveløyet (C) eller den integrerte koblingen (D) for skjevhet, sprekker eller annen skade. Svingfestet må festes godt til SRL-livlinen, men må kunne svinge fritt. Sviveløyet eller den integrerte koplingen må kunne rotere fritt i svingfestet.	<input type="checkbox"/>	<input type="checkbox"/>
	Livlinen (E) skal rulles ut og trekkes inn uten nøling eller slakkhet i linen.	<input type="checkbox"/>	<input type="checkbox"/>
	Påse at SRD-en låser seg når det rykkes kraftig i livlinen. Låsingen skal være bestemt uten glidende overgang.	<input type="checkbox"/>	<input type="checkbox"/>
	Alle etiketter må være synlige og fullt leselige (se figur 20).	<input type="checkbox"/>	<input type="checkbox"/>
	Kontroller hele SRD-en for tegn på korrosjon.	<input type="checkbox"/>	<input type="checkbox"/>
Endekoplinger (figur 19)	Tabell 2 identifiserer endekoblinger som skal følge med din Nano-Lok SRD-modell. Inspiser alle låsekroker, karabinkroker, armerte kroker, koblinger osv. for tegn på skade, korrosjon og generell stand. I den grad det er aktuelt: Porter skal kunne åpnes, lukkes, låses og løsnes på riktig måte, og låseknapper eller -stifter skal fungere korrekt.	<input type="checkbox"/>	<input type="checkbox"/>
Livline (figur 20)	Kontroller alle stropper. Materialet må være fritt for kutt (A), frynser (B) eller ødelagte fibre. Kontroller for rifter, slitasje, kraftig tilsøling (C), mugg, brannskader (D) eller misfarging. Kontroller sømmene for å se etter sting som er dratt ut eller skåret over. Ødelagte sting kan være en indikasjon på at selen har vært utsatt for støtbelastning og ikke kan brukes mer.	<input type="checkbox"/>	<input type="checkbox"/>
Falldemper (figur 21)	Kontroller at den integrerte falldemperen ikke har vært aktivert. Et åpent eller istykkerrevet deksel (A), stropper som er dratt ut av dekselet, istykkerrevne eller frynsete stropper (B), revnet polstring osv. er tegn på en aktivert falldemper.	<input type="checkbox"/>	<input type="checkbox"/>
Korrigerende tiltak / vedlikehold:		Godkjent av:	
		Dato:	
Korrigerende tiltak / vedlikehold:		Godkjent av:	
		Dato:	
Korrigerende tiltak / vedlikehold:		Godkjent av:	
		Dato:	
Korrigerende tiltak / vedlikehold:		Godkjent av:	
		Dato:	
Korrigerende tiltak / vedlikehold:		Godkjent av:	
		Dato:	
Korrigerende tiltak / vedlikehold:		Godkjent av:	
		Dato:	
Korrigerende tiltak / vedlikehold:		Godkjent av:	
		Dato:	

INFORMACJE DOTYCZĄCE BEZPIECZEŃSTWA

Przed użyciem tego urządzenia samohamowanego (Self-Retracting Device, SRD) należy dokładnie zapoznać się i przestrzegać wszystkich informacji dotyczących bezpieczeństwa zawartych w niniejszej instrukcji. **ZIGNOROWANIE TEGO WYMAGANIA MOŻE SKUTKOWAĆ POWAŻNYMI URAZAMI CIAŁA LUB ŚMIERCIĄ.**

Te instrukcje muszą być udostępnione użytkownikowi tego urządzenia. Instrukcje należy zachować do wykorzystania w przyszłości.

Przeznaczenie:

Urządzenie samohamowane stanowi część kompletnego systemu ochrony osób przed upadkiem.

Wykorzystanie urządzenia w jakimkolwiek innym celu, m.in. w celach rekreacyjnych, do przenoszenia ładunków lub podczas uprawiania sportu oraz we wszelkich innych celach nieopisanych w instrukcji użytkownika, nie jest zatwierdzone przez 3M i może skutkować poważnymi urazami ciała lub śmiercią. To urządzenie może być wykorzystywane wyłącznie przez przeszkolonych użytkowników w miejscu pracy.

! OSTRZEŻENIE

To urządzenie samohamowane stanowi część kompletnego systemu ochrony osób przed upadkiem. Oczekujemy, że wszyscy użytkownicy zostaną w pełni przeszkoleni w zakresie bezpiecznej instalacji i obsługi systemu ochrony przed upadkiem. **Nieprawidłowe użytkowanie tego urządzenia może prowadzić do poważnych urazów ciała lub śmierci.** Aby zapewnić prawidłowy dobór, obsługę, instalację, konserwację i serwis urządzenia, należy zapoznać się z niniejszą instrukcją użytkownika, w tym ze wszystkimi zaleceniami producenta lub skontaktować się z przełożonym bądź serwisem technicznym firmy 3M.

- **Aby ograniczyć ryzyko związane z pracą z urządzeniem SRD, które może skutkować poważnymi urazami ciała lub śmiercią:**
 - Przed każdym użyciem należy sprawdzić urządzenie SRD oraz sprawdzić, czy funkcje blokowania i wciągania działają prawidłowo.
 - Jeśli kontrola ujawni jakiekolwiek zagrożenie lub wady, natychmiast wycofaj urządzenie z eksploatacji i poddaj je naprawie lub wymień zgodnie z instrukcją użytkownika.
 - Jeśli urządzenie SRD zostało aktywowane (zadziałała funkcja ochrony przed upadkiem) lub zostało poddane uderzeniu, należy natychmiast wycofać urządzenie SRD z eksploatacji i oznaczyć je jako „NIE DO UŻYTKU”.
 - Należy upewnić się, że działanie linki asekuracyjnej nie jest ograniczone w żadnym zakresie, m.in. przez zaplątanie oraz nie koliduje z ruchomymi elementami ani maszynami (np. z górnym napędem wiertnicy), innymi pracownikami, częściami ciała użytkownika, obiektami znajdującymi się w pobliżu oraz że nie występuje ryzyko uderzenia linki asekuracyjnej lub pracownika przez obiekty znajdujące się powyżej.
 - Linka asekuracyjna nigdy nie może być luźna. Nie wolno wiązać linki asekuracyjnej ani zawiązywać na niej węzłów.
 - Nieużywane końce szelek bezpieczeństwa SRD należy przymocować do mocowania szelek bezpieczeństwa, jeśli występuje.
 - Nie używać w sytuacjach z ograniczoną drogą upadku. Praca na sybkim materiale, takim jak piasek lub ziarna albo w ograniczonych lub ciasnych przestrzeniach może uniemożliwić osiągnięcie przed pracownikiem prędkości umożliwiającej zablokowanie urządzenia SRD. Prawidłowe zablokowanie urządzenia SRD wymaga braku przeszkód.
 - Należy unikać gwałtownych lub szybkich ruchów podczas standardowych czynności roboczych. Może to spowodować zablokowanie urządzenia.
 - Należy upewnić się, że systemy ochrony przed upadkiem/zintegrowane podsystemy, złożone z komponentów pochodzących od różnych producentów, są kompatybilne i spełniają wymagania obowiązujących norm, w tym normy ANSI Z359 lub innych obowiązujących przepisów, norm i wymagań dotyczących ochrony przed upadkiem. Przed użyciem tych systemów należy zawsze skonsultować się z Kompetentną i/lub Przeszkoloną osobą.
- **Aby ograniczyć ryzyko związane z pracą na wysokości, które może skutkować poważnymi urazami ciała lub śmiercią:**
 - Należy upewnić się, że warunki fizyczne i zdrowotne pracownika umożliwiają bezpieczne znoszenie wszelkich sił oddziałujących w przypadku pracy na wysokości. W przypadku pytań dotyczących korzystania z tego sprzętu należy skonsultować się z lekarzem.
 - Nigdy nie wolno przekraczać dopuszczalnego udźwigu sprzętu zabezpieczającego.
 - Nigdy nie wolno przekraczać maksymalnego dystansu swobodnego upadku danego sprzętu zabezpieczającego.
 - Nie wolno używać sprzętu chroniącego przed upadkiem, który nie przeszedł pomyślnie kontroli okresowej lub przed oddaniem go do użytku albo jeśli użytkownik ma wątpliwości dotyczące korzystania lub przydatności sprzętu w danej aplikacji. W razie pytań należy kontaktować się z działem pomocy technicznej firmy 3M.
 - Niektóre połączenia podsystemów i elementów mogą niekorzystnie wpływać na działanie tego sprzętu. Stosować wyłącznie zgodne rodzaje połączeń. Przed zastosowaniem tego sprzętu w połączeniu z elementami lub podsystemami innymi niż opisane w instrukcji użytkownika należy skonsultować się z firmą 3M.
 - Stosować zwiększone środki ostrożności podczas pracy w pobliżu ruchomego sprzętu (np. górnych napędów wiertnic), źródeł zagrożeń elektrycznych, skrajnych temperatur, zagrożeń chemicznych, zagrożenia wybuchem oraz toksycznych gazów, ostrych krawędzi oraz pod obiektami znajdującymi się nad użytkownikiem, które mogą spaść na użytkownika lub na sprzęt zabezpieczający przed upadkiem.
 - W przypadku wykonywania prac w miejscach, w których występują wysokie temperatury, należy używać urządzeń z łukiem elektrycznym lub do prac gorących.
 - Należy unikać powierzchni i obiektów, które mogą spowodować urazy ciała użytkownika lub uszkodzenie sprzętu.
 - Należy zapewnić wystarczającą wolną przestrzeń dla upadku podczas prowadzenia prac na wysokościach.
 - Nigdy nie wolno modyfikować ani przerabiać sprzętu zabezpieczającego przed upadkiem. Sprzęt może być naprawiany tylko przez firmę 3M lub podmioty upoważnione przez nią na piśmie.
 - Przed użyciem sprzętu zabezpieczającego przed upadkiem należy upewnić się, że obowiązują odpowiednie procedury ratownicze zapewniające podjęcie odpowiednich działań ratowniczych w razie upadku.
 - Jeśli dojdzie do upadku, osobie poszkodowanej należy natychmiast zapewnić pomoc medyczną.
 - W przypadku zastosowań związanych z zabezpieczeniem przed upadkiem nie stosować pasów na całe ciało. Należy wyłącznie używać szelek bezpieczeństwa na całe ciało.
 - Należy minimalizować zagrożenie upadku w wyniku zakołysania, pracując tak blisko punktu kotwiczącego, jak to możliwe.
 - Podczas czynności szkoleniowych związanych z tym urządzeniem konieczne jest stosowanie pomocniczego systemu zabezpieczającego przed upadkiem, aby nie narazić szkolonego pracownika na ryzyko upadku.
 - Zawsze należy nosić odpowiedni sprzęt ochrony osobistej podczas instalowania, użytkowania lub przeprowadzania inspekcji urządzenia/systemu.

Przed przystąpieniem do użytkowania urządzenia należy odczytać informacje identyfikacyjne produktu z etykiety identyfikacyjnej i zapisać je w „Dzienniku kontroli i konserwacji” zamieszczonym na końcu niniejszej instrukcji.

OPIS:

Na rysunku 2 przedstawiono kluczowe elementy urządzeń samohamownych SRD Nano-Lok 3M™ DBI-SALA®. Urządzenia Nano-Lok SRD to nawinięte na bęben, taśmowe linki asekuracyjne (A) z wbudowanym amortyzatorem (B), zwijanym do nylonowej obudowy (C). Krętlik (D) na górze obudowy umożliwi przymocowanie do odpowiedniego punktu kotwiczenia za pomocą karabińczyka (E) lub zamocowanie na pełnych szelkach bezpieczeństwa z użyciem złącza szelek (F). Na rysunku 1 przedstawiono dostępne modele Nano-Lok wraz z konfiguracjami łączników. Dane techniczne łączników urządzeń SRD Nano-Lok są podane w tabeli 1.

Tabela 1 – dane techniczne

Dane techniczne elementów:

Obudowy SRL	Nylon
Bęben	Nylon
Elementy wewnętrzne	Stal nierdzewna, aluminium
Taśmowa linka asekuracyjna	Poliester Dyneema
Amortyzator	Oslona: Guma nitrylowa, taśma: poliester, szwy: nić poliestrowa lub nylonowa
Krętlik	Stal ocynkowana

Dane techniczne łączników:

	Opis	Materiał	Prześwit otwarcia	Wytrzymałość zatrasku	Wytrzymałość na rozciąganie
①	Krętlik	Stal	22,35 mm (0,88 cala) średnica wewnętrzna	X	22,2 kN (5000 funtów)
②	Karabińczyk	Aluminium	19 mm (3/4 cala)	16 kN (3600 funtów)	22,2 kN (5000 funtów)
③	Karabińczyk	Stal	19 mm (3/4 cala)	16 kN (3600 funtów)	22,2 kN (5000 funtów)
④	Złącze dla jednego urządzenia SRD	Stal	51 mm (2 cale)	16 kN (3600 funtów)	22,2 kN (5000 funtów)
⑤	Złącze dla dwóch urządzeń SRD	Stal z wkładem nylonowym	19 mm (3/4 cala)	16 kN (3600 funtów)	22,2 kN (5000 funtów)
⑥	Karabińczyk	Aluminium, stal	56 mm (2,19 cala)	16 kN (3600 funtów)	22,2 kN (5000 funtów)
⑦	Karabińczyk	Aluminium	19 mm (3/4 cala)	16 kN (3600 funtów)	22,2 kN (5000 funtów)
⑧	Hak do prętów zbrojeniowych	Aluminium	57 mm (2-1/4 cala)	16 kN (3600 funtów)	22,2 kN (5000 funtów)
⑨	Hak do prętów zbrojeniowych	Aluminium	63 mm (2-1/2 cala)	16 kN (3600 funtów)	22,2 kN (5000 funtów)
⑩	Karabińczyk	Aluminium	52 mm (2 cale)	16 kN (3600 funtów)	22,2 kN (5000 funtów)
⑪	Hak do prętów zbrojeniowych	Aluminium, stal	63 mm (2-1/2 cala)	16 kN (3600 funtów)	22,2 kN (5000 funtów)
⑫	Karabińczyk	Stal	19 mm (3/4 cala)	16 kN (3600 funtów)	22,2 kN (5000 funtów)
⑬	Hak do prętów zbrojeniowych	Aluminium	57 mm (2-1/4 cala)	16 kN (3600 funtów)	22,2 kN (5000 funtów)
⑭	Karabińczyk hakowy	Stal	19 mm (3/4 cala)	16 kN (3600 funtów)	22,2 kN (5000 funtów)

Dane techniczne dotyczące wydajności:

Dane techniczne urządzenia SRL (pionowego)	Modele CE	
Zakres nośności	59–100 kg (130–220 funtów)	100–140 kg (220–310 funtów)
Maksymalna siła zatrzymująca	6 kN (1350 funtów)	6 kN (1350 funtów)
Średnia siła zatrzymująca	4 kN (900 funtów)	4 kN (900 funtów)
Podana maksymalna odległość zatrzymywania¹	0,61 m (24 cale)	0,61 m (24 cale)
Minimalna wymagana wolna przestrzeń podczas upadku¹	1,5 m (5 stóp)	1,8 m (5,8 stopy)
Maksymalne spadanie swobodne²	1,5 m (5 stóp)	1,5 m (5 stóp)

1 – Zakłada, że urządzenie SRL jest zamontowane bezpośrednio nad użytkownikiem końcowym (nad głową).

2 – Zmierzone od klamry typu D użytkownika do powierzchni chodzenia / powierzchni roboczej. Szczegóły można znaleźć w tabeli wolnej przestrzeni podczas upadku.

1.0 ZASTOSOWANIA

- 1.1 CEL:** Urządzenia samohamowne (SRD) zostały zaprojektowane do wykorzystania jako element indywidualnego systemu zabezpieczenia przed upadkiem (PFAS). Rysunek 1 ilustruje modele urządzeń SRD omówione w niniejszej instrukcji. Można je wykorzystywać w większości sytuacji, w których wymagane jest połączenie mobilności pracownika i zabezpieczenia przed upadkiem (np. prace inspekcyjne, ogólnobudowlane, konserwacyjne, przetwórstwo ropy, prace w przestrzeni ograniczonej itd.).
- 1.2 NORMY:** Urządzenie SRD spełnia wymagania krajowych i regionalnych norm podanych na okładce niniejszej instrukcji. Aby uzyskać dalsze informacje dotyczące systemów osobistej ochrony przed upadkiem, należy zapoznać się z lokalnymi, stanowymi i krajowymi przepisami w zakresie BHP (OSHA).
- 1.3 SZKOLENIE:** Niniejsze urządzenie jest przeznaczone do wykorzystania przez osoby przeszkolone w zakresie jego prawidłowego stosowania i użycia. Do odpowiedzialności użytkownika należy zapewnienie, by osoby te były zaznajomione z niniejszą instrukcją oraz przeszkolone w zakresie prawidłowego wykorzystania tego urządzenia i dbania o nie. Użytkownicy muszą również mieć świadomość charakterystyki roboczej, ograniczeń stosowania i konsekwencji niewłaściwego wykorzystania.
- 1.4 OGRANICZENIA:** Zawsze podczas instalowania lub wykorzystywania tego urządzenia należy brać pod uwagę następujące ograniczenia:

- **Udźwig:** Urządzenia SRD służą do użytku przez jedną osobę o łącznej wadze (wraz z odzieżą, narzędziami itp.) zgodnej z zakresem nośności podanym w tabeli 1. Upewnić się, że wszystkie elementy posiadanego systemu są zdolne wytrzymać obciążenie występujące w przypadku danego zastosowania.
- **Punkt kotwiczący:** Konstrukcja kotwicząca urządzenia SRD musi wytrzymać obciążenie do 12 kN (2697 lb). Urządzenia kotwiczące muszą spełniać wymagania określone w normie EN 795 oraz innych obowiązujących normach w zakresie łączników kotwiczących.
- **Szybkość blokowania:** Należy unikać sytuacji, które nie zapewniają wolnej ścieżki upadku. Praca w ograniczonych lub ciasnych przestrzeniach lub na pochyłej powierzchni może nie zezwolić ciału na osiągnięcie prędkości wystarczającej do zablokowania urządzenia SRD w razie upadku. Praca na powoli poruszającym się materiale, takim jak piasek czy żwir, może nie pozwolić na rozwinięcie prędkości wystarczającej do zablokowania urządzenia SRD. Prawidłowe zablokowanie urządzenia SRD wymaga braku przeszkód.
- **Upadek swobodny:** W przypadku zakotwiczenia nad głową urządzenia SRD ograniczają odległość upadku swobodnego do 0,6 m (2 ft)¹. W celu uniknięcia zwiększonych dystansów spadania należy zakotwiczyć urządzenie SRD bezpośrednio nad poziomem pracy. Nie należy nigdy mocować urządzenia SRD do punktu kotwienia, w przypadku którego odległość upadku swobodnego będzie większa niż 1,5 m (5 ft). Należy unikać pracowania w taki sposób, aby linka asekuracyjna mogła się krzyżować lub splątać z linką innego pracownika. Należy unikać pracy w miejscach, gdzie spadające obiekty mogą uderzyć z linkę asekuracyjną i spowodować utratę równowagi pracownika lub uszkodzenie linki. Nie wolno pozwalać, by linki asekuracyjne przechodziły pod ramionami lub pomiędzy nogami. Nigdy nie należy zaciskać ani wiązać węzłów na linie asekuracyjnej czy uniemożliwiać jej zwijanie lub napinanie. Należy unikać luzów na linie. **Nie należy przedłużać urządzenia SRD przez dopinanie linki bezpieczeństwa lub podobnego komponentu bez skonsultowania się z firmą 3M.**
- **Upadki w wyniku zakołysania:** Upadki w wyniku zakołysania zdarzają się, gdy punkt kotwienia nie jest umieszczony bezpośrednio nad punktem, w którym występuje upadek. Siła uderzenia w obiekt podczas upadku w wyniku zakołysania może spowodować poważne obrażenia (patrz rysunek 3A). Należy zminimalizować zagrożenie upadku w wyniku zakołysania, pracując tak blisko punktu kotwiczącego, jak to możliwe (rysunek 3B). Praca z dala od punktu kotwiczącego (rysunek 3C) spowoduje większe oddziaływania upadku w wyniku zakołysania oraz zwiększenie wymaganej wolnej przestrzeni podczas upadku (FC).
- **Wolna przestrzeń podczas upadku:** Na rysunku 3B przedstawiono obliczenie wolnej przestrzeni podczas upadku. Wolna przestrzeń podczas upadku (FC) to suma upadku swobodnego (FF), odległości wyhamowania (DD) oraz współczynnika bezpieczeństwa (SF): $FC = FF + DD + SF$. Współczynnik bezpieczeństwa obejmuje przesunięcie klamry typu D oraz rozciągnięcie szelek bezpieczeństwa. Wartości wolnej przestrzeni podczas upadku zostały obliczone oraz przedstawione na rysunku 4. Dla wszystkich wartości na rysunku 4 zastosowano współczynnik bezpieczeństwa wynoszący 1 m (3,28 ft).

Na rysunku 4 przedstawiono wolną przestrzeń podczas upadku na podstawie odległości poziomej (H) i pionowej (V) między połączeniem grzbietowym SRD a punktem kotwiczącym. Każda pozioma linia siatki na wykresie reprezentuje pionową odległość od punktu kotwiczącego. Każda pionowa linia siatki na wykresie reprezentuje poziomą odległość od punktu kotwiczącego. Wartość wolnej przestrzeni podczas upadku (FC) jest określana na podstawie strefy (linie paraboliczne), w której przecinają się poziome (H) i pionowe (V) linie siatki. Przykład na rysunku 4 przedstawiono sposób określania wymaganej wartości wolnej przestrzeni podczas upadku (FC) dla podanych odległości pionowych (V) i poziomych (H).

Zmienne punkty kotwiczące: Wartości wolnej przestrzeni podczas upadku podane na rysunku 4 bazują na zakotwiczeniu do sztywnego, nieruchomego punktu mocowania. W przypadku kotwiczenia do poziomej linki asekuracyjnej (HLL) lub punktu kotwiczącego, który może się przemieszczać, przesuwać lub odkształcać w trakcie upadku, wartości wolnej przestrzeni podczas upadku podane na rysunku 4 nie będą miały zastosowania. Należy odwołać się do instrukcji linki HLL lub punktu kotwiczącego w celu uzyskania dodatkowych informacji dotyczących wolnej przestrzeni podczas upadku, ugięć i/lub odkształceń

Kłęczenie i kucanie: Wykres wolnej przestrzeni pokazany na rysunku 4 został przygotowany z założeniem, że pracownik znajduje się w pozycji stojącej. Jeżeli pracownik będzie kłęczyć lub kucać, potrzebne jest dodatkowe 0,9 m (3 ft) wolnej przestrzeni podczas upadku.

Nie należy nigdy kotwiczyć poniżej poziomu stóp: Nie wolno nigdy mocować do punktu kotwiczącego poniżej poziomu stóp.

- **Zagrożenia:** Użytkowanie tego sprzętu w obszarach, w których występują zagrożenia może wymagać zastosowania dodatkowych środków ostrożności w celu zmniejszenia prawdopodobieństwa obrażeń użytkownika lub uszkodzenia sprzętu. Zagrożenia mogą obejmować między innymi: wysoką temperaturę, żrące substancje chemiczne, środowiska powodujące korozję, linie wysokiego napięcia, wybuchowe lub toksyczne gazy, maszyny w ruchu lub materiały znajdujące się u góry, które mogą spaść i zetknąć się z użytkownikiem lub systemem zabezpieczenia przed upadkiem. Należy unikać prowadzenia prac w taki sposób, by linka asekuracyjna mogła się krzyżować lub splątać z linką innego pracownika. Należy unikać prowadzenia prac w miejscach, gdzie jakiś obiekt może upaść i uderzyć z linkę asekuracyjną, powodując utratę równowagi pracownika lub uszkodzenie linki. Nie wolno pozwalać, by linki asekuracyjne przechodziły pod ramionami lub pomiędzy nogami.
- **Ostre krawędzie:** Ostre krawędzie, z którymi linka asekuracyjna SRD może zetknąć się podczas upadku, muszą mieć minimalny promień 0,3 cm (0,125 in). Tam, gdzie nie można uniknąć kontaktu z ostrą krawędzią, należy ją przykryć materiałem ochronnym.

¹ **Upadek swobodny:** Prawidłowe zastosowanie urządzenia SRD, gdy użytkownik pracuje bezpośrednio pod punktem kotwienia oraz bez luzu na linie asekuracyjnej, pozwala wyeliminować ryzyko upadku swobodnego. Dopuszczalne lokalizacje punktów kotwiczących są przedstawione na rysunku 4.

2.0 Korzystanie z systemu

- 2.1 PLAN ZABEZPIECZENIA PRZED UPADKIEM ORAZ PLAN RATUNKOWY:** Pracodawca musi posiadać plan zabezpieczenia przed upadkiem oraz plan ratunkowy. Plan ten powinien obejmować wytyczne i wymagania dotyczące programu zabezpieczenia przed upadkiem zarządzanego przez pracodawcę, z uwzględnieniem zasad, obowiązków i szkoleń, procedury zabezpieczenia przed upadkiem, eliminację i kontrolę zagrożeń upadkiem, procedury ratunkowe, badanie incydentów, a także ocenę skuteczności programu.
- 2.2 CZĘSTOTLIWOŚĆ KONTROLI:** Przed każdym użyciem osoba upoważniona¹ lub ratownik² musi przeprowadzić przegląd urządzeń SRD (patrz tabela 3). Ponadto kontrole powinny być przeprowadzane przez kompetentną osobę³ inną niż użytkownik. Ekstremalne warunki robocze (wymagające środowisko, długi czas użycia itd.) mogą wymagać, aby kompetentna osoba częściej przeprowadzała kontrolę. Kompetentna osoba określi odpowiednie odstępy czasu między kontrolami na podstawie *harmonogramu kontroli* (tabela 2). Procedury kontroli są opisane w części „Dziennik kontroli i konserwacji” (tabela 3). Wyniki każdej kontroli wykonywanej przez kompetentną osobę należy rejestrować w *Dzienniku kontroli i konserwacji* lub zapisywać w systemie RFID (patrz punkt 5).
- 2.3 PRACA NORMALNA:** Praca normalna pozwala na rozwijanie linki asekuracyjnej bez zwłoki i zwijanie jej bez luzu, podczas gdy pracownik porusza się z normalną prędkością. W razie upadku wykrywający prędkość system hamowania aktywuje się, zatrzymując upadek i absorbując znaczą część wytworzonej energii. Podczas normalnej pracy należy unikać nagłych lub szybkich ruchów, ponieważ mogą one spowodować zablokowanie urządzenia SRD. W razie upadków występujących w pobliżu końca ruchu linki asekuracyjnej w celu redukcji sił hamujących podczas upadku wbudowany został rezerwowy system linki asekuracyjnej lub amortyzator.
- 2.4 SZELKI BEZPIECZEŃSTWA:** Razem z urządzeniem samohamownym należy stosować pełne szelki bezpieczeństwa. Punkt zaczepienia szelek bezpieczeństwa musi znajdować się powyżej środka ciężkości użytkownika. Wykorzystanie pasa na całe ciało razem z urządzeniem samohamownym nie jest dozwolone. W razie upadku podczas korzystania z pasa na całe ciało może nastąpić niezamierzone uwolnienie lub może dojść do obrażeń fizycznych z powodu niewłaściwych szelek bezpieczeństwa.
- 2.5 KOMPATYBILNOŚĆ ELEMENTÓW:** O ile nie podano inaczej, urządzenia 3M są zaprojektowane do wykorzystania wyłącznie z zatwierdzonymi elementami i podsystemami 3M. Zastępowanie lub wymianianie elementów lub podsystemów na takie, które nie zostały zatwierdzone może mieć negatywny wpływ na kompatybilność sprzętu oraz wpływać na bezpieczeństwo i niezawodność systemu jako całości.
- 2.6 KOMPATYBILNOŚĆ ŁĄCZNIKÓW:** Łączniki są uważane za kompatybilne z elementami łączącymi, jeśli zostały zaprojektowane do współpracy z nimi w taki sposób, że ich rozmiary i kształty nie powodują niezamierzonego otwierania mechanizmów zamknięć, bez względu na ich ustawienie. W przypadku pytań dotyczących kompatybilności należy skontaktować się z firmą 3M. Łączniki (haki, karabińczyki i klamry typu D) muszą w stanie utrzymywać siłę co najmniej 22,2 kN (5000 funtów). Łączniki muszą być kompatybilne z zakotwiczeniem i innymi elementami systemu. Nie wolno używać niekompatybilnego sprzętu. Niezgodne łączniki mogą się rozłączyć w sposób niezamierzony (patrz rysunek 5). Łączniki muszą być zgodne pod względem wielkości, kształtu i wytrzymałości. Wymagane są samoblokujące się karabińczyki hakowe i karabińczyki. Jeżeli element łączący, do którego przypięty jest karabińczyk hakowy lub karabińczyk, ma zbyt małe wymiary lub nieregularny kształt, może dojść do sytuacji, gdy poprzez element łączący na zamknięcie karabińczyka lub karabińczyka hakowego (A) działa siła. Ta siła może spowodować otwarcie zamknięcia (B), co umożliwi odłączenie się od punktu zaczepienia (C) karabińczyka zatraskowego lub karabińczyka.
- 2.7 ZACZEPIANIE:** Karabińczyki hakowe i karabińczyki wykorzystywane z tym urządzeniem muszą być samoblokujące. Należy zadbać o to, by wszystkie połączenia były kompatybilne pod względem rozmiaru, kształtu i wytrzymałości. Nie wolno używać niekompatybilnego sprzętu. Należy upewnić się, że wszystkie łączniki są całkowicie zamknięte i zablokowane. Łączniki 3M (karabińczyki zatraskowe i karabińczyki) zostały zaprojektowane do użytku wyłącznie w sposób określony w instrukcjach poszczególnych produktów. Przykłady niewłaściwych połączeń pokazano na rysunku 6.

Karabińczyków hakowych i karabińczyków nie należy podłączać:

- Do klamer typu D, do których przypięto już inny łącznik.
- W sposób, który może przyczynić się do obciążenia zatrasku. Nie należy przypinać karabińczyków zatraskowych o dużych rozmiarach zatrasku do klamer typu D o standardowym rozmiarze ani do innych podobnych obiektów, ponieważ może to spowodować obciążenie zatrasku, gdy karabińczyk lub klamra typu D skręci się lub obróci, chyba że karabińczyk zatraskowy jest wyposażony w zatrask odporny na działanie siły o wartości 16 kN (3600 funtów).
- W sposób pozorny, gdy rozmiar lub kształt pasujących łączników jest niezgodny, oraz bez wzrokowego potwierdzenia nie można stwierdzić, że połączenie łączników jest pozorne.
- Do siebie nawzajem.
- Bezpośrednio do taśmy, linki bezpieczeństwa bądź kotwy gruntowej (chyba że w instrukcjach producenta, zarówno w odniesieniu do linki bezpieczeństwa, jak i łącznika, wyraźnie dopuszczono takie połączenie).
- Do żadnego obiektu, którego kształt lub wymiary uniemożliwiają zamknięcie i zablokowanie karabińczyka zatraskowego lub karabińczyka bądź mogą spowodować wysunięcie.
- W sposób, który nie pozwala na właściwe ułożenie łącznika pod obciążeniem.

Tabela 2 – harmonogram kontroli

Rodzaj zastosowania	Przykłady zastosowania	Warunki użytkowania	Częstość kontroli
			Kompetentna osoba
Od rzadkiego do lekkiego	Ratownictwo, ograniczona przestrzeń, prace konserwacyjne w fabryce	Dobre warunki przechowywania, zastosowanie wewnątrz lub rzadkie zastosowanie na zewnątrz, temperatura pokojowa, czyste otoczenie	Co rok
Od średniego do ciężkiego	Transport, budownictwo mieszkaniowe, zakład użyteczności publicznej, magazyny	Przeciętne warunki przechowywania, zastosowanie wewnątrz i długie zastosowanie na zewnątrz, wszystkie temperatury, czyste lub zakurzone otoczenie	Od co pół roku do co roku
Od ciężkiego do nieprzerwanego	Budownictwo komercyjne, ropa naftowa i gaz, górnictwo	Trudne warunki przechowywania, długie lub stałe zastosowanie na zewnątrz, wszystkie temperatury, zanieczyszczone otoczenie	Od co kwartał do co pół roku

1 Osoba upoważniona: Osoba wyznaczona przez pracodawcę do wykonywania obowiązków w miejscu narażenia pracowników na zagrożenie upadkiem.

2 Ratownik: Osoba lub osoby inne niż osoba ratowana, podejmujące działania w celu przeprowadzenia wspólnej akcji ratunkowej poprzez obsługę systemu ratunkowego.

3 Kompetentna osoba: Osoba wyznaczona przez pracodawcę jako osoba odpowiedzialna za bezpośredni nadzór, wdrażanie i monitorowanie zarządzanego przez pracodawcę programu ochrony przed upadkami, która dzięki szkoleniom i posiadanej wiedzy jest w stanie identyfikować, oceniać i reagować na istniejące oraz potencjalne ryzyko upadku i która jest upoważniona przez pracodawcę do niezwłocznego podejmowania działań naprawczych dotyczących tego ryzyka.

3.0 Instalacja

- 3.1 PLANOWANIE:** System ograniczenia upadku należy planować przed rozpoczęciem pracy. Należy uwzględnić wszystkie czynniki, które mogą wpłynąć na bezpieczeństwo przed, podczas i po upadku. Należy uwzględnić wszystkie wymagania i ograniczenia zdefiniowane w punkcie 2.

W większości zastosowań urządzenie samohamowne (SRD) Nano-Lok można zaczepić w punkcie kotwiczącym lub o klamrę grzbietową szelek bezpieczeństwa. Dopuszczalna jest dowolna orientacja, z wyjątkiem sytuacji opisanej w punkcie 4

- 3.2 PUNKT KOTWICZĄCY:** Rysunek 7 ilustruje typowe połączenia kotwiczące urządzeń SRD. Miejsce punktu kotwiczącego należy wybrać pod kątem minimalnych zagrożeń dotyczących spadania swobodnego i upadku w wyniku zakołysania (patrz punkt 1). Należy wybrać sztywny punkt kotwiczący zdolny do wytrzymania obciążeń statycznych określonych w punkcie 1. Jeśli zakotwiczenie u góry nie jest możliwe, urządzenia SRL Nano-Lok można przymocować do punktu kotwiczącego poniżej poziomu grzbietowej klamry zaczepowej typu D. W przypadku użytkowników o masie do 140 kg (310 funtów) punkt kotwiczący musi być nie więcej niż 1,5 m (5 stóp) poniżej grzbietowej klamry zaczepowej typu D.

- 3.3 MOCOWANIE SZELEK BEZPIECZEŃSTWA:** Niektóre modele urządzenia SRD posiadają złącze szelek bezpieczeństwa dla jednego lub dla dwóch urządzeń SRD, umożliwiające zamocowanie takiego urządzenia lub urządzeń na pełnych szelkach bezpieczeństwa tuż pod grzbietową klamrą zaczepową typu D:

Niektóre modele pełnych szelek bezpieczeństwa są wyposażone w osobiste połączenie SRD, które łączy grzbietową klamrę zaczepową typu D z elementami mocowania urządzeń samohamownych mocowanych do szelek bezpieczeństwa (rysunek 8). Akceptowalne jest również zaczepienie urządzenia SRD do grzbietowej klamry zaczepowej typu D szelek bezpieczeństwa za pomocą karabińczyka lub karabińczyka hakowego.

- **Mocowanie jednego urządzenia SRD do szelek bezpieczeństwa:** Jeśli mobilność pracownika ma krytyczne znaczenie, można wykorzystać złącze szelek bezpieczeństwa dla urządzenia SRD do zamontowania urządzenia SRD z tyłu szelek bezpieczeństwa na całe ciało tuż poniżej grzbietowej klamry zaczepowej typu D (patrz rysunek 9). Pracownik może wtedy zaczepić koniec linki bezpieczeństwa urządzenia SRD do różnych punktów kotwiczących umiejscowionych na obszarze wykonywania prac bez konieczności wielokrotnego ponownego instalowania urządzenia SRD. W celu zamontowania urządzenia SRD do pełnych szelek bezpieczeństwa ze złączem dla urządzenia SRD:
 1. **Poluzować taśmy szelek bezpieczeństwa:** Wyciągnąć paski taśmowe (A) w miejscach, w których przechodzą przez dolną część grzbietowej klamry zaczepowej typu D (B), aż do uzyskania miejsca wystarczającego do wsunięcia złącza szelek bezpieczeństwa między paski taśmowe a poduszkę klamry typu D.
 2. **Otworzyć złącze szelek bezpieczeństwa:** Jednocześnie wcisnąć przyciski blokujące (C) i wysunąć sworzeń blokujący (D).
 3. **Umieścić urządzenie SRD na złączu szelek bezpieczeństwa:** Wsunąć otwarte zamknięcie na złącze szelek bezpieczeństwa przez krętlik na urządzeniu SRD (E). Nawlec złącze przez krętlik tak, aby urządzenie SRD zwiisało ze wspornika złącza szelek bezpieczeństwa (F).
 4. **Umieścić złącze szelek bezpieczeństwa wokół pasków taśmowych:** Umieścić otwarte zamknięcie złącza szelek bezpieczeństwa wokół luźnych pasków taśmowych (A).
 5. **Zamknąć złącze szelek bezpieczeństwa:** Popchnąć sworzeń blokujący złącza szelek bezpieczeństwa (D) przez luźne paski taśmowe (A), aż wskoczy we właściwe położenie na przeciwległym końcu złącza szelek bezpieczeństwa. Przeciagnąć paski taśmowe z powrotem przez grzbietową klamrę zaczepową typu D i poduszkę na plecy w celu zabezpieczenia złącza szelek bezpieczeństwa.

Jeżeli złącze szelek bezpieczeństwa jest odblokowane, czerwony pasek na końcu sworznia blokującego złącza szelek wyposażonego w pokrętło jest odkryty. W celu uniknięcia przypadkowego zwolnienia zaczepu przed użyciem szelek bezpieczeństwa i dołączonego urządzenia SRD należy zawsze upewnić się, że złącze szelek bezpieczeństwa jest zablokowane. Zaniedbanie tego sprawdzenia może skutkować obrażeniami ciała lub śmiercią.

- **Mocowanie dwóch urządzeń SRD do szelek bezpieczeństwa:** W zastosowaniach wymagających wspinaczki, w których wymagane jest 100-procentowe zakotwiczenie, można wykorzystać złącze szelek bezpieczeństwa dla urządzeń SRD do zamontowania obok siebie dwóch takich urządzeń do pełnych szelek bezpieczeństwa z tyłu, tuż poniżej grzbietowej klamry zaczepowej typu D (patrz rysunek 9). W celu zamontowania dwóch urządzeń SRD do pełnych szelek bezpieczeństwa za pomocą złącza dla urządzeń SRD:
 1. **Poluzować taśmy szelek bezpieczeństwa:** Wyciągnąć paski taśmowe (A) w miejscach, w których przechodzą przez dolną część grzbietowej klamry zaczepowej typu D (B), aż do uzyskania miejsca wystarczającego do wsunięcia złącza szelek bezpieczeństwa między paski taśmowe a poduszkę klamry typu D.
 2. **Otworzyć złącze szelek bezpieczeństwa:** Jednocześnie wcisnąć przyciski blokujące (C) i wysunąć sworzeń blokujący (D).
 3. **Umieścić urządzenia SRD na złączu szelek bezpieczeństwa:** Wsunąć otwarte zamknięcie na złącze szelek bezpieczeństwa przez krętlik na każdym urządzeniu SRD (E). Nawlec złącze przez krętlik tak, aby urządzenia SRD zwiisały ze wspornika złącza szelek bezpieczeństwa (F).
 4. **Umieścić złącze szelek bezpieczeństwa wokół pasków taśmowych:** Umieścić otwarte zamknięcie złącza szelek bezpieczeństwa wokół luźnych pasków taśmowych (A).
 5. **Zamknąć złącze szelek bezpieczeństwa:** Popchnąć sworzeń blokujący złącza szelek bezpieczeństwa (D) przez luźne paski taśmowe (A), aż wskoczy we właściwe położenie na przeciwległym końcu złącza szelek bezpieczeństwa. Przeciagnąć paski taśmowe z powrotem przez grzbietową klamrę zaczepową typu D i poduszkę na plecy w celu zabezpieczenia złącza szelek bezpieczeństwa.

Jeżeli złącze szelek bezpieczeństwa jest odblokowane, czerwony pasek na końcu sworznia blokującego złącza szelek wyposażonego w pokrętło jest odkryty. W celu uniknięcia przypadkowego zwolnienia zaczepu przed użyciem szelek bezpieczeństwa i dołączonego urządzenia SRD należy zawsze upewnić się, że złącze szelek bezpieczeństwa jest zablokowane. Zaniedbanie tego sprawdzenia może skutkować obrażeniami ciała lub śmiercią.

- **Mocowanie dwóch urządzeń SRD do szelek bezpieczeństwa ze stałą klamrą typu D:** Starsze pełne szelki bezpieczeństwa ExoFit ze stałą klamrą typu D wymagają specjalnego złącza szelek bezpieczeństwa dla dwóch urządzeń SRD w celu zamontowania dwóch urządzeń SRD z tyłu szelek bezpieczeństwa tuż poniżej grzbietowej klamry zaczepowej typu D. W celu zamontowania dwóch urządzeń SRD do pełnych szelek bezpieczeństwa ExoFit ze złączem szelek bezpieczeństwa ze stałą klamrą typu D dla urządzeń SRD (rysunek 10):
 1. **Poluzować taśmy szelek bezpieczeństwa:** Wyciągnąć paski taśmowe (A) w miejscach, w których przechodzą przez dolną część grzbietowej klamry zaczepowej typu D (B), aż do uzyskania miejsca wystarczającego do wsunięcia złącza szelek bezpieczeństwa dla urządzenia SRD między paski taśmowe a poduszkę na plecy.
 2. **Otworzyć złącze szelek bezpieczeństwa:** Przy złączu szelek bezpieczeństwa dla dwóch urządzeń SRD ustawionym w sposób przedstawiony na rysunku należy popchnąć tuleję blokującą (C) w prawo, a następnie obrócić ją zgodnie z ruchem wskazówek zegara w celu otwarcia zamknięcia (D). W celu otwarcia zamknięcia (D) należy obrócić je w dół.
 3. **Nawlec pierwsze urządzenie SRD na złącze szelek bezpieczeństwa:** Wsunąć czubek łącznika (E) przez oczko krętlika (F) na urządzenie SRD, a następnie obrócić urządzenie dookoła na koniec łącznika z zamknięciem (G). Zamknięcie można zamknąć w celu zapewnienia miejsca dla oczka krętlika między zamknięciem a grzbietem łącznika.
 4. **Umieścić złącze szelek bezpieczeństwa wokół pasków taśmowych:** Wsunąć czubek łącznika (E) za paski taśmowe (A). Obracając łącznik, wsuwając go za paski taśmowe tak, by łącznik je objął.
 5. **Dodać drugie urządzenie SRD do złącza szelek bezpieczeństwa:** Nasunąć oczko krętlika urządzenia SRD (F) na czubek elementu łączącego (E) i umieścić je na końcu łącznika z czubkiem.
 6. **Zamknąć złącze szelek bezpieczeństwa:** Pozwolić zamknięciu (D) na powrót do pozycji zamkniętej, a tulei (C) na powrót do pozycji zablokowanej. Po zamknięciu złącza szelek bezpieczeństwa przeciągnąć paski taśmowe (A) z powrotem przez grzbietową klamrę zaczepową typu D w celu wyeliminowania luzu na taśmie oraz zabezpieczenia złącza szelek bezpieczeństwa między paskami taśmowymi a poduszką na plecy.
- **Podwójny karabińczyk 3M® DBI-SALA®:** Podwójny karabińczyk 3M® DBI-SALA® został zaprojektowany do mocowania dwóch urządzeń SRD Nano-Lok obok siebie z tyłu pełnych szelek bezpieczeństwa tuż poniżej grzbietowej klamry zaczepowej typu D (patrz rysunek 12). W celu zamocowania dwóch urządzeń SRD Nano-Lok do pełnych szelek bezpieczeństwa za pomocą podwójnego karabińczyka:
 1. **Poluzować taśmy szelek bezpieczeństwa:** Wyciągnąć paski taśmowe (A) w miejscach, w których przechodzą przez dolną część grzbietowej klamry zaczepowej typu D (B), aż do uzyskania miejsca wystarczającego do wsunięcia podwójnego złącza na nogi między paski taśmowe a poduszkę klamry typu D.
 2. **Otworzyć podwójny karabińczyk:** Pchnąć wkład łącznika (C) w taki sposób, by zwolnić zabezpieczające go zaciski (D), a następnie odchylić wkład do góry w celu odblokowania zamknięcia. Pchnąć zamknięcie (E) do środka w celu otwarcia łącznika.
 3. **Nawlec pierwsze urządzenie SRD Nano-Lok na podwójny karabińczyk:** Wsunąć czubek łącznika (F) przez oczko krętlika (G) na urządzenie SRL, a następnie obrócić urządzenie dookoła na koniec łącznika z zamknięciem (H). Zamknięcie można obrócić w stronę czubka w celu zapewnienia miejsca dla oczka krętlika między zamknięciem a grzbietem łącznika.
 4. **Umieścić podwójny karabińczyk wokół pasków taśmowych:** Przy zamknięciu skierowanym ku górze wsunąć czubek łącznika (F) za paski taśmowe (A). Obracając łącznik, wsunąć go za paski taśmowe tak, by łącznik je objął.
 5. **Dodać drugie urządzenie SRD Nano-Lok do podwójnego karabińczyka:** Nasunąć oczko krętlika urządzenia SRL (G) na czubek łącznika (F) i umieścić je na końcu łącznika z czubkiem (F). Zamknąć zamknięcie (E).
 6. **Zamknąć podwójny karabińczyk:** Obrócić wkład łącznika (C) do przodu w taki sposób, by zaciski (D) zabezpieczyły łącznik. Po prawidłowym zamknięciu paski taśmowe powinny przechodzić przez szczelinę taśmy (J) u góry płytki kotwiącej łącznika, a oczka krętlików urządzeń SRL powinny być zabezpieczone w zagłębieniach (K) po każdej ze stron płytki kotwiącej łącznika. Po zamknięciu złącza szelek bezpieczeństwa pociągnąć paski taśmowe (A) z powrotem przez grzbietową klamrę zaczepową typu D i poduszkę klamry typu D w celu wyeliminowania luzu na taśmie oraz zabezpieczenia łącznika szelek między paskami taśmowymi a poduszką klamry typu D.
- **Karabińczyk z dwoma sworzniami 3M® DBI-SALA®:** To mocowanie szelek bezpieczeństwa można wykorzystać do zamocowania jednego lub dwóch urządzeń SRL Nano-Lok w zastosowaniach wymagających wspinaczki (patrz rysunek 11), w których wymagane jest 100-procentowe zakotwiczenie:
 1. **Poluzować taśmy szelek bezpieczeństwa:** Wyciągnąć paski taśmowe (A) w miejscach, w których przechodzą przez dolną część grzbietowej klamry zaczepowej typu D (B), aż do uzyskania miejsca wystarczającego do wsunięcia podwójnego złącza na nogi między paski taśmowe a poduszkę klamry typu D.
 2. **W przypadku konfiguracji pojedynczej:** Umieścić krętlik jednego urządzenia SRL w środku otwartej przestrzeni.
 3. **W przypadku konfiguracji podwójnej:** Umieścić krętlik jednego urządzenia SRL w otwartej przestrzeni najbliższej sworznia oraz jednego urządzenia SRL w otwartej przestrzeni najdalej od sworznia.
 4. Wsunąć sworzeń z powrotem na miejsce, aż do momentu usłyszenia kliknięcia. Sworzeń powinien być mocno zablokowany na swoim miejscu.
 5. Jednocześnie wcisnąć dwa przyciski na łączniku od strony szelek bezpieczeństwa podczas wysuwania sworznia. Wysunięcie tego sworznia tworzy otwartą przestrzeń.
 6. Podciągnąć niewielką ilość luzu na taśmie bezpośrednio pod grzbietową klamrę zaczepową typu D na szelkach bezpieczeństwa. Umieścić łącznik od strony szelek bezpieczeństwa poniżej klamry typu D.
 7. Wsunąć sworzeń z powrotem na miejsce, upewniając się, że sworzeń pozostaje poniżej obu warstw taśmy szelek bezpieczeństwa, aż do momentu usłyszenia kliknięcia. Sworzeń powinien być mocno zablokowany na swoim miejscu.

4.0 OBSŁUGA

Przed użyciem urządzeń samohamownych SRD nowi lub niedoświadczeni użytkownicy powinni zapoznać się z „Informacjami na temat bezpieczeństwa” znajdującymi się na początku tego podręcznika.

- 4.1 PRZED KAŻDYM UŻYCIEM:** Przed każdym użyciem niniejszego urządzenia zabezpieczającego przed upadkiem należy go dokładnie skontrolować w celu upewnienia się, że jest ono w dobrym stanie użytkowym. Należy sprawdzić, czy nie ma

zużytych lub uszkodzonych części. Upewnić się, że wszystkie śruby są na swoim miejscu i są zabezpieczone. Sprawdzić, czy linka asekuracyjna zwija się prawidłowo, wyciągając ją i pozwalając na jej powolne zwinięcie. Jeżeli przy zwijaniu występuje jakakolwiek zwłoka, urządzenie należy wyczołać z eksploatacji i poddać utylizacji. Linkę asekuracyjną należy skontrolować pod kątem nacięć, strzępienia, przypaleń, kruszenia i korozji. Sprawdzić działanie systemu zatrzymywania poprzez silne pociągnięcie liny. Procedury kontroli są opisane w części „Dziennik kontroli i konserwacji” (tabela 3). Nie używać, jeżeli kontrola wykaże niebezpieczny stan.

- 4.2 PO UPADKU:** Wszelkie urządzenia, które zostały podane działaniu sił hamujących podczas upadku lub wykazują uszkodzenie mogące wynikać z działania takich sił zgodnie z opisem w tabeli 3, należy natychmiast wyczołać z eksploatacji i poddać utylizacji.
- 4.3 SZELKI BEZPIECZEŃSTWA:** Podczas korzystania z urządzeń SRD należy nosić pełne szelki bezpieczeństwa. W przypadku wykorzystania do ogólnego zabezpieczenia przed upadkiem urządzenie należy zaczepić do tylnej (grzbietowej) klamry typu D.
- 4.4 TWORZENIE POŁĄCZEŃ:** Rysunek 5 ilustruje zaczepienie systemów zabezpieczenia przed upadkiem z urządzeniem SRD do szelek bezpieczeństwa i punktu kotwiczącego. Jeżeli do zaczepienia wykorzystywany jest hak, należy zapewnić, że nie dojdzie do wyczepienia (patrz: rysunek 5). Nie należy wykorzystywać haków ani łączników, które nie zamkną się całkowicie na obiekcie, do którego są mocowane. Nie należy wykorzystywać karabińczyków hakowych bez funkcji samoblokowania. Zakotwiczenie musi spełniać wymagania w zakresie wytrzymałości określone w tabeli 2. Należy przestrzegać instrukcji producenta dostarczonych z każdym z elementów systemu.
- 4.5 OBSŁUGA:** Przed użyciem należy skontrolować urządzenie SRD zgodnie z opisem w tabeli 3. Rysunek 14 pokazuje połączenia systemu w typowych zastosowaniach urządzenia SRD. Urządzenie SRD należy zaczepić w odpowiednim punkcie kotwiczącym lub zamontować z tyłu pełnych szelek bezpieczeństwa zgodnie z instrukcją zamieszczoną w punkcie 3. Na urządzeniach SRD zaczepionych w punkcie kotwiczącym hak (D) lub karabińczyk wskaźnika obciążnika należy zaczepić do grzbietowej klamry zaczepowej typu D (A) pełnych szelek bezpieczeństwa. Na urządzeniach SRD montowanych do szelek bezpieczeństwa hak (D) lub karabińczyk należy zaczepić w odpowiednim punkcie kotwiczącym. Należy zadbać o to, by połączenia były kompatybilne pod względem rozmiaru, kształtu i wytrzymałości. Należy upewnić się, że haki są w pełni zamknięte i zablokowane. Po zaczepieniu pracownik może się swobodnie poruszać w zakresie zalecanego obszaru roboczego z normalną prędkością. W razie upadku urządzenie SRD zablokuje się i zatrzyma upadek. Po zakończeniu akcji ratowniczej należy wyczołać urządzenie SRD z użycia. Podczas pracy z urządzeniem SRD należy zawsze umożliwić, aby linka asekuracyjna zwijała się z powrotem do urządzenia w sposób kontrolowany.
- 4.6 ZŁĄCZE DLA DWÓCH URZĄDZEŃ SRD ZE 100% ZAKOTWICZENIEM:** Kiedy z tyłu pełnych szelek bezpieczeństwa zamontowane są obok siebie dwa urządzenia SRD, system zabezpieczenia przed upadkiem z urządzeniem SRD można wykorzystać w celu zapewnienia ciągłego zabezpieczenia (100% zakotwiczenie) podczas wjeżdżania w górę lub zjazd w dół bądź w bok (patrz rysunek 15). Z linką bezpieczeństwa jednego urządzenia SRD zaczepioną w jednym punkcie kotwiczącym pracownik może przejść do nowej lokalizacji, zaczepić wolną linkę bezpieczeństwa drugiego urządzenia SRD do innego punktu kotwiczącego, a następnie odczepić pierwszą linkę od jej punktu kotwiczącego. Sekwencja ta jest powtarzana aż pracownik osiągnie żądaną lokalizację. Podczas wykorzystania 100% zakotwiczenia z dwoma urządzeniami SRD należy mieć na uwadze następujące kwestie:
- Nigdy nie należy zaczepiać obu linek bezpieczeństwa SRD w tym samym punkcie kotwiczącym (patrz rysunek 16A).
 - Podłączenie więcej niż jednego łącznika do pojedynczego punktu kotwiczącego (pierścienia lub oczka) może mieć niekorzystny wpływ na kompatybilność połączenia ze względu na wzajemne oddziaływanie między łącznikami oraz nie jest zalecane.
 - Dopuszczalne jest zaczepienie każdej z linek bezpieczeństwa SRD do oddzielnych punktów kotwiczących (rysunek 16B).
 - Każde miejsce zaczepienia musi niezależnie wytrzymać obciążenie 10 kN (2248 funtów) lub stanowić zaawansowany technicznie system, taki jak pozioma linka asekuracyjna.
 - Nigdy nie należy jednocześnie mocować więcej niż jednej osoby do systemu z dwoma urządzeniami SRD (rysunek 16C).
 - Nie należy dopuszczać, by linki bezpieczeństwa spletały się lub skręcały, co może uniemożliwić ich zwijanie.
 - Nie wolno pozwolić, by podczas użycia linki bezpieczeństwa przechodziły pod ramionami lub pomiędzy nogami.
- 4.7 MOCOWANIE DWÓCH URZĄDZEŃ SRD DO GRZBIETOWEJ KLAMRY ZACZEPOWEJ TYPU D:** Modele z karabińczykiem o potrójnym działaniu mogą być montowane do grzbietowej klamry zaczepowej typu D w konfiguracji podwójnej. W celu zamocowania dwóch urządzeń SRD do grzbietowej klamry zaczepowej typu D szelek bezpieczeństwa (rysunek 13):
- 1. Otworzyć karabińczyk o potrójnym działaniu:** Po ustawieniu karabińczyka o potrójnym działaniu w sposób przedstawiony na rysunku należy popchnąć tuleję blokującą (C) w prawo oraz obrócić zgodnie z ruchem wskazówek zegara, aby odblokować zamknięcie (D). W celu otwarcia zamknięcia (D) należy obrócić je w dół.
 - 2. Nawlec pierwsze urządzenie SRD na karabińczyk o potrójnym działaniu:** Wsunąć czubek łącznika (E) przez oczko krętlika (F) na urządzenie SRD, a następnie obrócić urządzenie dookoła na koniec łącznika z zamknięciem (G). Zamknięcie można zamknąć w celu zapewnienia miejsca dla oczka krętlika między zamknięciem a grzbietem łącznika.
 - 3. Dodać drugie urządzenie SRD do karabińczyka o potrójnym działaniu:** Nasunąć krętlik urządzenia SRD (F) na czubek łącznika (E).
 - 4. Nawlec karabińczyk o potrójnym działaniu przez klamrę typu D:** Wsunąć czubek łącznika (E) przez grzbietową klamrę zaczepową typu D (A). Obrócić łącznik przez klamrę typu D, aż będzie można zamknąć zamknięcie.
 - 5. Zamknąć karabińczyk o potrójnym działaniu:** Pozwolić zamknięciu (D) na powrót do pozycji zamkniętej, a tulei (C) na powrót do pozycji zablokowanej.
- 4.8 SYSTEMY POZIOME:** W zastosowaniach, w których urządzenie SRD jest wykorzystywane w połączeniu z systemem poziomym (tj. poziomą linką asekuracyjną, wózkami na poziomej belce dwuteowej), urządzenie SRD musi być kompatybilne z tym systemem. Systemy poziome muszą być projektowane i instalowane pod nadzorem wykwalifikowanego inżyniera. W celu uzyskania szczegółowych informacji należy zapoznać się z instrukcją lub instalatorem systemu poziomego.

Wartości wolnej przestrzeni podczas upadku podane na rysunku 4 bazują na zakotwiczeniu do sztywnego, nieruchomego urządzenia kotwiczącego oraz nie dotyczą zakotwiczenia do systemu poziomej linki asekuracyjnej (HLL). W celu określenia wymaganej wolnej przestrzeni podczas upadku należy skonsultować się z instrukcją lub instalatorem systemu HLL.

5.0 Przegląd

5.1 ZNACZNIK RFID: Urządzenie samohamowne SRD zawiera radiowy znacznik identyfikacyjny (RFID) (patrz rysunek 17). Znacznik RFID może być stosowany z ręcznym czytnikiem w celu ułatwienia przeglądów i kontroli ekwipunku oraz prowadzenia dokumentacji wszystkich urządzeń systemu zabezpieczenia przed upadkiem. Aby uzyskać więcej szczegółów, należy skontaktować z przedstawicielem działu obsługi klienta 3M (patrz informacje na tylnej stronie okładki). Postępować zgodnie z instrukcjami dostępnymi w ręcznym czytniku lub na portalu internetowym w celu przesłania danych do rejestru internetowego.

5.2 CZĘSTOTLIWOŚĆ KONTROLI: Kontrole urządzenia samohamownego SRD należy przeprowadzać w odstępach czasu określonych w punkcie 2. Procedury kontroli są opisane w części „Dziennik kontroli i konserwacji” (tabela 3).

Ekstremalne warunki pracy (trudne otoczenie, długi czas użytkowania itp.) mogą spowodować konieczność zwiększenia częstotliwości kontroli (patrz tabela 2).

5.3 STANY NIEBEZPIECZNE LUB WADLIWE: Jeżeli kontrola wykaże, że urządzenie SRD jest wadliwe lub nie zapewnia bezpiecznej pracy, należy je natychmiast wycofać z eksploatacji i poddać utylizacji (patrz punkt 6).

Niniejszy sprzęt może być naprawiany tylko przez firmę 3M lub podmioty upoważnione przez nią na piśmie.

5.4 TRWAŁOŚĆ PRODUKTU: Okres eksploatacji urządzenia samohamownego 3M zależy od warunków pracy oraz konserwacji. Produkt ten może pozostać w eksploatacji tak długo, jak długo spełnia kryteria kontroli (w granicach maksymalnego okresu eksploatacji). Maksymalny okres eksploatacji urządzenia SRD z linkami asekuracyjnymi z taśmy tekstylnej wynosi nie więcej niż 10 lat od daty produkcji.

6.0 KONSERWACJA, NAPRAWY I PRZECHOWYWANIE

6.1 CZYSZCZENIE: Procedury czyszczenia urządzenia SRD są następujące:

- Należy regularnie czyścić zewnętrzną powierzchnię urządzenia SRD wodą z łagodnym detergentem. Urządzenie SRD ustawić w pozycji umożliwiającej ścieknięcie nadmiaru wody. Oczyścić etykiety, jeżeli będzie to niezbędne.
- Taśmową linkę asekuracyjną należy czyścić wodą z łagodnym detergentem. Spłukać i dokładnie wysuszyć strumieniem powietrza. Nie suszyć z użyciem gorącego powietrza. Linka asekuracyjna powinna być sucha, zanim będzie mogła zostać zwinięta w obudowie. Nadmierny osad powstały z zanieczyszczeń, farby itd. może spowodować, że linka asekuracyjna nie zwinie się do końca do obudowy, powodując tym samym ryzyko spadania swobodnego.

6.2 NAPRAWA: Urządzenia SRD nie podlegają naprawie. Jeżeli urządzenie SRD zostanie poddane działaniu siły upadku lub kontrola wykaże, że jest wadliwe lub nie zapewnia bezpiecznej pracy, urządzenie to należy natychmiast wycofać z eksploatacji i poddać utylizacji (patrz punkt „Utylizacja”).

6.3 PRZECHOWYWANIE I TRANSPORT: Urządzenia SRD należy transportować i przechowywać w chłodnym, suchym i czystym otoczeniu z dala od bezpośredniego działania promieni słonecznych. Należy unikać miejsc, w których mogą występować opary chemiczne. Po każdym dłuższym okresie przechowywania należy przeprowadzić dokładny przegląd urządzenia SRD.

6.4 UTYLIZACJA: Urządzenie SRD należy poddać utylizacji, jeżeli zostało narażone na działanie siły hamującej podczas upadku lub przeprowadzona kontrola wykazała, że jest wadliwe lub nie zapewnia bezpiecznej pracy. Przed utylizacją urządzenia SRD należy przeciąć linkę asekuracyjną na pół lub w inny sposób wyeliminować możliwość jej przypadkowego ponownego użycia.

7.0 Etykiety

Rysunek 22 przedstawia etykiety na urządzeniach SRD oraz ich rozmieszczenie. Na urządzeniu SRD muszą się znajdować wszystkie etykiety. Jeśli etykiety nie są czytelne, należy je wymienić. Piktogramy na etykietach są zdefiniowane następująco:

1	Skontrolować karabińczyk hakowy i wskaźnik uderzenia
2	Skontrolować działanie blokady urządzenia SRL
3	Poprawny sposób łączenia SRL do uprząży
4	Nie posiada certyfikatu w zakresie wykorzystania w obecności ostrych krawędzi. Może być podłączony do punktu kotwiczącego powyżej, poniżej lub na poziomie grzbietowej klamry zaczepowej typu D (maksimum 140 kg).
5	Zakres temperatur roboczych – od -40°C do +60°C
6	Maksymalny udźwig – 140 kg
7	Linka asekuracyjna musi być zwijana przez urządzenie samohamowne SRL pod kontrolą
8	Nie naprawiać
9	Przechowywać w chłodnym, suchym i czystym otoczeniu z dala od bezpośredniego działania promieni słonecznych.
10	Nie obciążać przez krawędź
11	Nie usuwać etykiety

Tabela 3 – Dziennik przeglądów i konserwacji

Numery seryjne:		Data zakupu:	
Numer modelu:		Data pierwszego użycia:	
Data przeglądu:		Przegląd przeprowadził:	
Element:	Przegląd: (częstotliwość przeglądów – patrz punkt 2)	Wynik pozytywny	Wynik negatywny
SRD (Rysunek 18)	Skontrolować pod kątem luźnych elementów mocowania oraz zgiętych lub uszkodzonych części.	<input type="checkbox"/>	<input type="checkbox"/>
	Skontrolować obudowę (A) pod kątem odkształcenia, pęknięć i innych uszkodzeń.	<input type="checkbox"/>	<input type="checkbox"/>
	Krętlik (B) i oczko krętlika (C) lub zintegrowany łącznik (D) skontrolować pod kątem odkształcenia, pęknięć i innych uszkodzeń. Krętlik powinien być pewnie zamocowany do urządzenia SRL, ale powinien się swobodnie obracać. Oczko krętlika lub zintegrowany łącznik powinny się swobodnie obracać w krętliku.	<input type="checkbox"/>	<input type="checkbox"/>
	Linka asekuracyjna w formie taśmy (E) powinna się w pełni rozwijać i związać bez zwłoki lub tworzenia się luzu na lince.	<input type="checkbox"/>	<input type="checkbox"/>
	Upewnić się, że urządzenie SRD blokuje się przy mocnym szarpnięciu za linkę asekuracyjną. Blokowanie powinno być pewne, bez poślizgu.	<input type="checkbox"/>	<input type="checkbox"/>
	Wszystkie etykiety muszą być obecne i w pełni czytelne (patrz rysunek 20).	<input type="checkbox"/>	<input type="checkbox"/>
	Całe urządzenie SRD należy skontrolować pod kątem oznak korozji.	<input type="checkbox"/>	<input type="checkbox"/>
Łączniki końcowe (Rysunek 19)	Tabela 2 identyfikuje łączniki końcowe, które powinny być w komplecie z danym modelem urządzenia SRD Nano-Lok. Wszystkie karabińczyki hakowe, karabińczyki, haki do prętów zbrojeniowych, złącza itd. należy skontrolować pod kątem oznak uszkodzenia, korozji i właściwego stanu użytkowego. Tam, gdzie są obecne: Zamknięcia powinny się prawidłowo otwierać, zamykać, blokować i odblokowywać, a przyciski blokujące i sworznie blokujące powinny działać prawidłowo.	<input type="checkbox"/>	<input type="checkbox"/>
Taśmowa linka asekuracyjna (Rysunek 20)	Skontrolować taśmy; materiał nie może być nacięty (A), postrzępiony (B) ani nie może zawierać przerwanych włókien. Sprawdzić, czy występują naderwania, przetarcia, silne zabrudzenia (C), pleśń, nadpalenia (D) lub odbarwienia. Skontrolować szwy; sprawdzić pod kątem wyciągniętych lub przerwanych szwów. Przerwane szwy mogą wskazywać na gwałtowne zwiększenie obciążenia szelek bezpieczeństwa; takie szelki należy wycofać z eksploatacji.	<input type="checkbox"/>	<input type="checkbox"/>
Amortyzator (Rysunek 21)	Sprawdzić, czy zintegrowany amortyzator nie został aktywowany. Otwarta lub naderwana osłona (A), wyrwanie taśmy z osłony, naderwana lub postrzępiona taśma (B), rozerwane szwy itp. wskazują na aktywowanie amortyzatora.	<input type="checkbox"/>	<input type="checkbox"/>
Działanie naprawcze/konserwacja:		Zatwierdzone przez:	
		Data:	
Działanie naprawcze/konserwacja:		Zatwierdzone przez:	
		Data:	
Działanie naprawcze/konserwacja:		Zatwierdzone przez:	
		Data:	
Działanie naprawcze/konserwacja:		Zatwierdzone przez:	
		Data:	
Działanie naprawcze/konserwacja:		Zatwierdzone przez:	
		Data:	
Działanie naprawcze/konserwacja:		Zatwierdzone przez:	
		Data:	
Działanie naprawcze/konserwacja:		Zatwierdzone przez:	
		Data:	

Certifique-se de que lê, compreende e segue todas as informações de segurança antes de utilizar este dispositivo autorretrátil (Self-Retracting Device, SRD). O INCUMPRIMENTO DESSAS INSTRUÇÕES PODERÁ RESULTAR EM LESÕES GRAVES OU MORTE.

Estas instruções têm de ser fornecidas ao utilizador deste equipamento. Guarde estas instruções para referência futura.

Uso previsto:

Este dispositivo autorretrátil deve ser utilizado como parte de um sistema de proteção ant queda pessoal completo.

A sua utilização noutras circunstâncias incluindo, mas de forma não limitativa, atividades de manuseamento de materiais, atividades recreativas ou relacionadas com desporto ou outras atividades não descritas nas Instruções para o utilizador, não é aprovada pela 3M e pode resultar em ferimentos graves ou morte.

Este dispositivo só deve ser utilizado por pessoas que tenham recebido formação no local de trabalho.

! AVISO

Este dispositivo autorretrátil faz parte de um sistema de proteção ant queda pessoal. Todos os utilizadores devem receber formação quanto à instalação e manuseamento seguros do seu sistema pessoal de proteção ant queda. **A má utilização deste dispositivo pode resultar em ferimentos graves ou morte.** Para a devida seleção, manuseamento, instalação, manutenção e utilização, consulte estas Instruções para o utilizador, incluindo todas as recomendações do fabricante, consulte o seu supervisor ou contacte os serviços técnicos da 3M.

- **Para minimizar os riscos associados à utilização de um SRD que, caso não sejam evitados, podem resultar em ferimentos graves ou morte:**
 - Antes de cada utilização, inspecione o SRD e verifique se o bloqueio e a retração estão a funcionar devidamente.
 - Se a inspeção revelar uma condição perigosa ou defeito, retire o dispositivo de serviço e repare-o ou substitua-o de acordo com as Instruções para o utilizador.
 - Se o SRD tiver sido sujeito a uma detenção da queda ou força de impacto, retire-o imediatamente de serviço e identifique-o como "INUTILIZÁVEL".
 - Certifique-se de que a linha de vida está desimpedida de quaisquer obstruções, incluindo, mas de forma não limitativa, o enredamento em equipamento ou maquinaria em movimento (por exemplo, sistema top drive das plataformas petrolíferas), outros trabalhadores, em si, objetos circundantes ou o impacto de objetos suspensos que possam cair em cima da linha de vida ou do trabalhador.
 - Nunca dê folga à linha de vida. Não ate nem dê nós na corda de segurança.
 - Prenda a(s) perna(s) não utilizada(s) do SRD montado no arnês ao(s) encaixe(s) do arnês, se instalado(s).
 - Não utilize o dispositivo em situações com um trajeto de queda obstruído. Trabalhar em material instável, como a areia ou grãos, ou em espaços confinados ou apertados, pode não permitir ao trabalhador atingir a velocidade suficiente para originar o bloqueio do SRD. É necessária uma trajetória desimpedida para assegurar o bloqueio positivo do SRD.
 - Evite movimentos repentinos ou rápidos durante uma operação de trabalho normal. Isso pode provocar o bloqueio do dispositivo.
 - Assegure-se de que os sistemas/subsistemas de proteção ant queda, montados com componentes produzidos por diferentes fabricantes, são compatíveis e satisfazem os requisitos das normas aplicáveis, incluindo a ANSI Z359 ou outros códigos, normas ou requisitos de proteção ant queda aplicáveis. Consulte sempre uma Pessoa competente e/ou Qualificada antes de utilizar estes sistemas.
- **Para minimizar os riscos associados à utilização em trabalhos em altura que, caso não sejam evitados, podem resultar em ferimentos graves ou morte:**
 - Certifique-se de que a sua condição física e o seu estado de saúde lhe permitem suportar, com segurança, todas as forças associadas ao trabalho em altura. Consulte um médico caso tenha alguma questão quanto à sua capacidade de utilizar este equipamento.
 - Nunca exceda a capacidade permitida do seu equipamento de proteção ant queda.
 - Nunca exceda a distância de queda livre máxima do seu equipamento de proteção ant queda.
 - Não utilize qualquer equipamento de proteção ant queda que não cumpra os critérios predefinidos ou outras inspeções agendadas ou caso tenha dúvidas quanto à utilização ou adequação do equipamento no seu trabalho. Contacte os serviços técnicos da 3M se tiver dúvidas.
 - Algumas combinações de subsistemas e componentes podem interferir com o funcionamento deste equipamento. Utilize apenas conectores compatíveis. Consulte a 3M quando instalar ou utilizar este equipamento em combinação com componentes ou subsistemas diferentes dos descritos nas Instruções para o utilizador.
 - Tome precauções adicionais ao trabalhar perto de maquinaria em movimento (por exemplo, sistema top drive das plataformas petrolíferas), quanto a perigos elétricos, temperaturas extremas, perigos químicos, gases explosivos ou tóxicos, bermas afiadas ou materiais suspensos que possam cair em cima de si ou do seu equipamento de proteção ant queda.
 - Utilize equipamentos de proteção contra soldadura por arco elétrico ou materiais inflamáveis ao trabalhar em ambientes de temperatura elevada.
 - Evite superfícies ou objetos que possam causar-lhe ferimentos ou danificar o equipamento.
 - Certifique-se de que existe uma altura livre de queda ao trabalhar em alturas.
 - Nunca modifique ou altere o equipamento de proteção ant queda. Apenas a 3M ou terceiros com autorização escrita da 3M podem efetuar reparações neste equipamento.
 - Antes de utilizar equipamento de proteção ant queda, certifique-se de que existe um plano de resgate pronto a ser acionado caso ocorra um incidente de queda.
 - No caso de um incidente de queda, solicite imediatamente ajuda médica para o trabalhador que caiu.
 - Não utilize um cinto de segurança para aplicações de detenção da queda. Utilize apenas um arnês completo de corpo.
 - Minimise as quedas em pêndulo trabalhando o mais possível diretamente abaixo do ponto de ancoragem.
 - Se o dispositivo for utilizado durante uma formação, deve ser utilizado um sistema de proteção ant queda secundário para garantir que o formando não fica exposto a perigo de queda.
 - Utilize sempre equipamento de proteção individual adequado durante a instalação, utilização ou inspeção do dispositivo/sistema.

Antes de utilizar este equipamento, registre os dados de identificação do produto presentes na etiqueta de identificação no "Registo de inspeção e manutenção", no verso deste manual.

DESCRIÇÃO:

A Figura 2 identifica os componentes chave dos dispositivos autorretráteis Nano-Lok (SRD) DBI-SALA® da 3M™. Os SRD Nano-Lok são linhas de vida que recolhem para dentro (A) com um absorvedor de energia alinhado (B) que se retrai para um invólucro em nylon (C). Um olhal giratório (D) no topo do invólucro permite a fixação a um ponto de ligação de ancoragem válido com um mosquetão (E) ou a montagem num arnês de corpo inteiro com uma interface de arnês (F). A Figura 1 identifica modelos Nano-Lok disponíveis e as suas configurações de conector. Consulte a Tabela 1 em relação às especificações do conector e SRD Nano-Lok.

Tabela 1 – Especificações

Especificações dos componentes:

Invólucros de SRL	Nylon
Tambor	Nylon
Componentes internos	Aço inoxidável, alumínio
Corda de segurança do tipo cordame	Poliéster Dyneema
Absorvedor de energia	Cobertura: Borracha de nitrilo, tecido: Poliéster, Pesponto: Malha entrelaçada de poliéster ou nylon
Cabeça giratória	Aço galvanizado

Especificações do conector:

	Descrição	Material	Abertura do trinco	Resistência do trinco	Força tênsil
1	Olhal giratório	Aço	22,35 mm (0,88 pol.) diâmetro interior	X	22,2 kN (5000 libras)
2	Mosquetão	Alumínio	19 mm (3/4 pol.)	16 kN (3600 libras)	22,2 kN (5000 libras)
3	Mosquetão	Aço	19 mm (3/4 pol.)	16 kN (3600 libras)	22,2 kN (5000 libras)
4	Interface de SRD simples	Aço	51 mm (2 pol.)	16 kN (3600 libras)	22,2 kN (5000 libras)
5	Interface de SRD dupla	Aço com inserção em nylon	19 mm (3/4 pol.)	16 kN (3600 libras)	22,2 kN (5000 libras)
6	Mosquetão	Alumínio, aço	56 mm (2,19 pol.)	16 kN (3600 libras)	22,2 kN (5000 libras)
7	Mosquetão	Alumínio	19 mm (3/4 pol.)	16 kN (3600 libras)	22,2 kN (5000 libras)
8	Gancho de aço	Alumínio	57 mm (2-1/4 pol.)	16 kN (3600 libras)	22,2 kN (5000 libras)
9	Gancho de aço	Alumínio	63 mm (2-1/2 pol.)	16 kN (3600 libras)	22,2 kN (5000 libras)
10	Mosquetão	Alumínio	52 mm (2 pol.)	16 kN (3600 libras)	22,2 kN (5000 libras)
11	Gancho de aço	Alumínio, aço	63 mm (2-1/2 pol.)	16 kN (3600 libras)	22,2 kN (5000 libras)
12	Mosquetão	Aço	19 mm (3/4 pol.)	16 kN (3600 libras)	22,2 kN (5000 libras)
13	Gancho de aço	Alumínio	57 mm (2-1/4 pol.)	16 kN (3600 libras)	22,2 kN (5000 libras)
14	Gancho de engate rápido	Aço	19 mm (3/4 pol.)	16 kN (3600 libras)	22,2 kN (5000 libras)

Especificações de desempenho:

Especificações da SRL (Vertical)	Modelos CE	
Intervalo de capacidade	59 kg - 100 kg (130 libras - 220 libras)	100 kg - 140 kg (220 libras - 310 libras)
Força de paragem máxima	6 kN (1350 libras)	6 kN (1350 libras)
Força de paragem média	4 kN (900 libras)	4 kN (900 libras)
Distância de Detenção Máxima Declarada¹	0,61 m (24 pol.)	0,61 m (24 pol.)
Altura Livre de Queda Mínima Necessária¹	1,5 m (5 pés)	1,8 m (5,8 pés)
Altura Livre de Queda Máxima²	1,5 m (5 pés)	1,5 m (5 pés)

1 - Pressupõe que a SRL está montada diretamente por cima (suspensa) do utilizador final.

2 - Medido desde o anel de fixação do utilizador até à superfície de passagem/trabalho. Para mais informações, consulte o(s) Quadro(s) de Altura Livre de Queda.

1.0 APLICAÇÕES

- 1.1 FINALIDADE:** Os dispositivos de segurança autorretráteis (SRD) foram concebidos para serem componentes num sistema pessoal de proteção anti-quedas (PFAS). A Figura 1 ilustra os SRD abrangidos por este manual de instruções. Podem ser utilizados na maioria das situações em que é necessária a combinação entre a mobilidade do trabalhador e a proteção anti-queda (ex.: trabalho de inspeção, construção geral, trabalho de manutenção, produção de petróleo, trabalho em espaços confinados, etc.).
- 1.2 NORMAS:** O seu SRD está em conformidade com as normas nacionais ou regionais identificadas na capa destas instruções. Consulte os requisitos locais, estatais e federais (OSHA) que regem a segurança no trabalho para obter informações adicionais sobre sistemas pessoais de paragem de queda.
- 1.3 FORMAÇÃO:** Este equipamento destina-se a ser utilizado por pessoas formadas na sua aplicação e utilização corretas. Compete ao utilizador certificar-se de que está familiarizado com estas instruções e de que adquire a formação sobre os cuidados e utilização corretos deste equipamento. Os utilizadores têm de estar conscientes das características de funcionamento, dos limites de aplicação e das consequências da sua utilização incorreta.
- 1.4 LIMITAÇÕES:** Tenha sempre em consideração as seguintes limitações e requisitos quando instalar ou utilizar este equipamento:

- **Capacidade:** Os SRD destinam-se a utilização por uma pessoa com um peso combinado (vestuário, ferramentas, etc.) que cumpra o *intervalo de capacidade* especificado na Tabela 1. Certifique-se de que todos os componentes do seu sistema possuem a capacidade nominal adequada para a sua aplicação.
- **Ancoragem:** A estrutura de ancoragem para o SRD tem de ter capacidade para suportar cargas até 12 kN (2697 libras). Os dispositivos de ancoragem têm de estar em conformidade com a norma EN795 ou com outras normas de conectores de ancoragem aplicáveis.
- **Velocidade de bloqueio:** Devem ser evitadas as situações que não permitem uma trajetória de queda livre. Trabalhar em espaços confinados ou exíguos, ou numa superfície inclinada, pode não permitir que o corpo atinja a velocidade necessária para fazer com que o SRD bloqueie em caso de queda. Trabalhar em material instável, tal como a areia ou grãos, pode não permitir atingir a velocidade necessária para provocar o bloqueio do SRD. É necessária uma trajetória desimpedida para assegurar o bloqueio positivo do SRD.
- **Queda livre:** Quando ancorados acima da cabeça, os SRD irão limitar a distância de queda livre até 0,6 m (2 pés)¹. Para evitar elevadas distâncias de queda, prenda o SRD diretamente acima do nível de trabalho. Nunca prenda o SRD num ponto de ancoragem que crie uma queda superior a 1,5 m (5 pés). Evite trabalhar no local onde a sua corda de segurança se pode cruzar ou emaranhar com a de outro trabalhador. Evite trabalhar no local onde um objeto pode cair e atingir a corda de segurança, provocando a perda de equilíbrio ou danos na mesma. Não permita que a corda de segurança passe por baixo dos braços ou entre as pernas. Nunca prenda, amarre ou deixe que a corda de segurança recolha ou estique. Evite folga na corda. **Não aumente o comprimento do SRD fazendo a ligação de um cabo de segurança ou componente semelhante sem consultar a 3M.**
- **Quedas em oscilação:** Os pêndulos ocorrem quando o ponto de ancoragem não se encontra diretamente acima do ponto onde ocorre uma queda. A força de embate num objeto num pêndulo pode provocar ferimentos graves (ver a Figura 3A). Minimize as quedas em pêndulo trabalhando o mais possível diretamente abaixo do ponto de ancoragem (Figura 3B). Trabalhar longe do ponto de ancoragem (Figura 3C) irá aumentar o impacto de uma queda em pêndulo e aumentar a distância de queda (FC) necessária.
- **Distância de queda:** A Figura 3B ilustra o cálculo da distância de queda. A distância de queda (FC) é a soma de queda livre (FF), distância de desaceleração (DD) e um fator de segurança (SF): $FC = FF + DD + SF$. O deslizamento da argola em D e a elasticidade do arnês estão incluídos no fator de segurança. Os valores de distância de queda foram calculados e são apresentados na Figura 4. Foi usado um fator de segurança de 1 m (3,28 pés) para todos os valores na Figura 4.

A Figura 4 ilustra a distância de queda (FC) baseada na distância horizontal (H) e vertical (V) entre a ligação dorsal do SRD e o ponto de ancoragem. Cada linha da grelha horizontal na(s) tabela(s) representa a distância vertical do ponto de ancoragem. Cada linha da grelha vertical na(s) tabela(s) representa a distância horizontal do ponto de ancoragem. O valor da distância de queda (FC) é determinado pela zona (linhas parabólicas) nas quais ocorre a intersecção das linhas de grelha horizontais (H) e verticais (V). O exemplo na Figura 4 mostra como determinar o valor da distância de queda (FC) necessária para as distâncias verticais (V) e horizontais (H) indicadas.

Pontos de ancoragem variáveis: As distâncias de queda na Figura 4 são baseadas num ponto de ancoragem estacionário rígido. Se a ancoragem for realizada a uma Linha de Vida Horizontal (HLL) ou a um ponto de ancoragem que pode mover-se, deslizar, ou deformar durante uma queda, então os valores de distância de queda na Figura 4 não se aplicam. Consulte as instruções da HLL ou da ancoragem para obter mais informação sobre as deformações, deflexões ou distâncias de queda necessárias.

Estar de joelhos ou agachado: As tabelas de distância na Figura 4 pressupõem que o trabalhador está de pé. Se o trabalhador estiver de joelhos ou agachado, é necessária uma distância de queda adicional de 0,9 m (3 pés).

Nunca realize a ancoragem abaixo dos pés: Nunca realize a ligação a um ponto de ancoragem abaixo dos seus pés.

- **Riscos:** A utilização deste equipamento em áreas onde existem riscos envolventes pode exigir precauções adicionais para reduzir a possibilidade de ferimentos ao utilizador ou danos no equipamento. Os riscos podem incluir, mas de forma não limitativa: elevadas temperaturas, produtos químicos cáusticos, ambientes corrosivos, linhas de alta tensão, gases explosivos ou tóxicos, equipamentos móveis ou materiais localizados acima da cabeça que podem cair e embater no utilizador ou no sistema de detenção da queda. Evite trabalhar no local onde a sua corda de segurança se pode cruzar ou emaranhar com a de outro trabalhador. Evite trabalhar no local onde um objeto pode cair e atingir a corda de segurança, provocando a perda de equilíbrio ou danos na mesma. Não permita que a corda de segurança passe por baixo dos braços ou entre as pernas.
- **Arestas aguçadas:** As arestas aguçadas com as quais o SRD pode entrar em contacto durante uma queda têm de ter um raio mínimo de 0,3 cm (0,125 pol.). Nos casos em que não é possível evitar o contacto com arestas aguçadas, tape a aresta com material de proteção.

¹ **Queda livre:** A aplicação correta do SRD, com o utilizador a trabalhar diretamente por baixo do ponto de ancoragem e sem folga na corda de segurança, irá eliminar a queda livre. Consulte a Figura 4 para ver locais de ancoragem aceitáveis.

2.0 Utilização do sistema

- 2.1 PROTEÇÃO CONTRA QUEDA E PLANO DE SALVAMENTO:** O empregador deverá ter um plano de salvamento e proteção contra quedas. O plano deverá fornecer diretrizes e requisitos para um programa de proteção contra quedas gerido pelo empregador, o qual deve incluir políticas, deveres e formação; procedimentos de proteção contra quedas; eliminação e controlo de perigos de queda; procedimentos de salvamento, investigações de incidentes; avaliação da eficácia do programa.
- 2.2 FREQUÊNCIA DE INSPEÇÕES:** Os SRD devem ser inspecionados pela pessoa autorizada¹ ou elemento de socorro² antes de cada utilização (ver a Tabela 3). Adicionalmente, devem ser efetuadas inspeções, por uma pessoa competente³ que não seja o utilizador. As condições de trabalho extremas (ambientes rigorosos, utilização prolongada, etc.) podem exigir o aumento da frequência das inspeções por pessoas competentes. A pessoa competente deve utilizar o *Calendário de inspeção (Tabela 2)* para determinar os intervalos de inspeção adequados. Os procedimentos de inspeção são descritos em "*Registo de inspeção e manutenção*" (Tabela 3). Os resultados de cada inspeção efetuada por pessoas competentes devem ser registados no "*Registo de inspeção e manutenção*" ou registados no sistema de identificação por radiofrequência (RFID) (consulte a Secção 5).
- 2.3 FUNCIONAMENTOS NORMAIS:** O funcionamento normal irá permitir que a linha de vida estique ou recolha sem hesitações ou folgas à medida que o trabalhador se movimenta a velocidades normais. No caso de ocorrer uma queda, o sistema de freio com deteção de velocidade é ativado, parando a queda e absorvendo muita da energia criada. Devem ser evitados movimentos repentinos ou rápidos durante o funcionamento normal, pois podem provocar o bloqueio do SRD. Para quedas que ocorram próximo da extremidade do curso da linha de vida, foi incorporado um sistema de linha de vida de reserva ou absorvedor de energia para reduzir as forças de detenção da queda.
- 2.4 APOIO CORPORAL:** Tem de ser utilizado um arnês de corpo inteiro com o dispositivo autorretrátil. O ponto de ligação do arnês tem de estar acima do centro de gravidade do utilizador. Não é autorizada a utilização de um cinto de segurança com o dispositivo autorretrátil. Se ocorrer uma queda aquando da utilização de um cinto de segurança, este pode provocar a libertação involuntária e traumatismo físico devido ao suporte corporal inadequado.
- 2.5 COMPATIBILIDADE DOS COMPONENTES:** Salvo indicação em contrário, o equipamento da 3M destina-se ser usado apenas com componentes e subsistemas aprovados pela 3M. As substituições efetuadas com componentes ou subsistemas não aprovados podem comprometer a compatibilidade do equipamento e podem afetar a segurança e fiabilidade de todo o sistema.
- 2.6 COMPATIBILIDADE DOS CONECTORES:** Os conectores são considerados compatíveis com elementos de ligação quando são concebidos para trabalhar em conjunto de modo a que os seus tamanhos e formas não provoquem a abertura involuntária dos seus mecanismos de fecho, independentemente da forma como ficam orientados. Contacte a 3M se tiver dúvidas em relação à compatibilidade. Os conectores (ganchos, mosquetões, argolas em D) devem ter capacidade para suportar pelo menos 22,2 kN (5000 libras). Os conectores têm de ser compatíveis com a ancoragem ou com outros componentes do sistema. Não utilize equipamento que não seja compatível. Os conectores incompatíveis podem desprender-se involuntariamente (consulte a Figura 5). Os conectores têm de ser compatíveis em tamanho, forma e resistência. São necessários ganchos de engate rápido e mosquetões. Se o elemento de ligação ao qual se fixa o gancho de engate rápido ou mosquetão for demasiado pequeno ou tiver uma forma irregular, pode ocorrer uma situação no local onde o elemento de ligação aplica uma força à lingueta do gancho de engate rápido ou mosquetão (A). Esta força pode provocar a abertura da lingueta (B), permitindo que o gancho de engate rápido ou mosquetão se solte do ponto de ligação (C).
- 2.7 EFETUAR LIGAÇÕES:** Os ganchos de engate rápido e mosquetões utilizados com este equipamento têm de ser de bloqueio automático. Certifique-se de que todas as ligações são compatíveis em tamanho, forma e resistência. Não utilize equipamento que não seja compatível. Certifique-se de que todos os conectores estão totalmente fechados e bloqueados. Os conectores 3M (ganchos de engate rápido e mosquetões) foram concebidos para serem utilizados apenas como indicado no manual de instruções de cada produto. Consulte a Figura 6 para visualizar exemplos de ligações incorretas.

Não ligue ganchos de engate rápido e mosquetões:

- A uma argola em D onde esteja preso outro conector.
- De forma a provocar uma sobrecarga no trinco. Os mosquetões de abertura larga não devem ser ligados a argolas em D de tamanho normal ou a objetos idênticos, pois esta situação irá resultar numa carga sobre o trinco caso o mosquetão ou a argola em D gire ou rode, a não ser que o mosquetão esteja equipado com um trinco para 16 kN (3600 libras).
- Numa ligação falsa, na qual o tamanho ou a forma dos conectores ligados não seja compatível, sem uma confirmação visual, os conectores aparentam estar plenamente engatados.
- Entre si.
- Diretamente à malha de rede ou cabo de tração de corda ou de amarração traseira (a não ser que as instruções do fabricante, para o cabo de tração e conector, autorizem especificamente essa ligação).
- A qualquer objeto que tenha uma forma ou dimensão que não permita que o gancho de engate rápido ou mosquetão feche ou tranque, ou de modo a que possa ocorrer um deslizamento.
- De forma a não permitir que o conector fique corretamente alinhado enquanto estiver sujeito a sobrecarga.

Tabela 2 – Calendário de inspeção

Tipo de utilização	Exemplos de aplicação	Condições de utilização	Frequência de inspeções
			Pessoa competente
Não frequente a leve	Salvamento e espaço confinado, manutenção de fábrica	Boas condições de armazenamento, utilização em espaços fechados ou utilização não frequente em espaços abertos, temperatura ambiente, ambientes limpos	Anualmente
Moderado a pesado	Transportes, construção de casas, serviços públicos, armazém	Condições razoáveis de armazenamento, utilização em espaços fechados e utilização prolongada em espaços abertos, todas as temperaturas, ambientes limpos ou poeirentos	Semestral ou anualmente
Severo a contínuo	Construção comercial, indústria petrolífera, exploração mineira	Fracas condições de armazenamento, utilização prolongada ou contínua em espaços abertos, todas as temperaturas, ambientes sujos	Trimestral ou semestralmente

1 Pessoa autorizada: Pessoa designada pela entidade empregadora para realizar trabalhos numa localização em que a pessoa estará exposta a perigo de queda.

2 Elemento de salvamento: Pessoa ou pessoas (sem ser a pessoa a ser socorrida) que procedem a uma ação de salvamento assistido, mediante a utilização de um sistema de salvamento.

3 Pessoa competente: Uma pessoa designada pelo empregador para ser o responsável pela supervisão imediata, implementação e monitorização do programa de proteção antiqueda gerido pelo empregador que, através de formação e conhecimentos, é capaz de identificar, avaliar e solucionar perigos de queda existentes e potenciais e que tem a autoridade do empregador para tomar medidas de correção imediatas relativamente a esses perigos.

3.0 Instalação

- 3.1 PLANEAMENTO:** Planeie o seu sistema de proteção antiqueda antes de iniciar o trabalho. Tenha em consideração todos os fatores que possam afetar a sua segurança antes, durante e após uma queda. Tenha em consideração todos os requisitos e limitações definidos na Secção 2.

Na maioria das aplicações, a SRD Nano-Lok pode ser ligada ao local de ancoragem ou do arnês dorsal. Qualquer orientação é autorizada, salvo conforme indicado na secção 4.

- 3.2 ANCORAGEM:** A Figura 7 ilustra as ligações normais de ancoragem de SRD. Selecione um local de ancoragem com riscos mínimos de queda livre e de queda em oscilação (consulte a Secção 1). Selecione um ponto de ancoragem rígido capaz de sustentar as cargas estáticas definidas na Secção 1. Nos locais onde não é possível uma ancoragem acima da cabeça, os SRD Nano-Lok podem ser fixados a um ponto de ancoragem abaixo do nível da argola em D dorsal do utilizador. Para utilizadores até 140 kg (310 libras), o ponto de ancoragem não deve ser superior a 1,5 m (5 pés) abaixo da argola em D dorsal.

- 3.3 MONTAGEM DO ARNÊS:** Alguns modelos da SRD incluem uma interface de arnês para SRD simples ou dupla para montar as SRD(s) num arnês de corpo inteiro precisamente abaixo do anel de ancoragem dorsal:

Alguns arneses de corpo inteiro estão equipados com uma ligação de SRD pessoal (Ligação PSRL) que integra o anel de ancoragem dorsal com elementos de fixação para dispositivos autorretráteis montados no arnês (Figura 8). Também é aceitável ligar a SRD ao anel de ancoragem dorsal do arnês com um mosquetão ou gancho de engate rápido.

- **Fixação de Arnês para SRD Simples:** Quando a mobilidade do trabalhador é vital, a interface de arnês para SRD pode ser utilizada para montar a SRD na parte traseira de um arnês de corpo inteiro precisamente abaixo do anel de ancoragem dorsal (consulte a Figura 9). Desta forma, o trabalhador pode ligar a diversos pontos de ancoragem ao longo do estaleiro com a extremidade do cabo de tração da SRD sem reinstalar repetidamente a SRD. Para montar a SRD num arnês de corpo inteiro com a interface de arnês para SRD:
 1. **Solte a malha de rede do arnês:** Puxe para fora as correias (A) no local onde passam através da parte inferior da argola em D dorsal (B) até haver espaço suficiente para fazer deslizar a interface de arnês para SRD entre as correias e a almofada do anel de ancoragem dorsal.
 2. **Abra a interface de arnês:** Empurre para baixo os botões de bloqueio (C) simultaneamente e faça deslizar para fora o pino de bloqueio (D).
 3. **Posicione a SRD na interface de arnês:** Insira a lingueta aberta na interface de arnês através do olhal giratório no SRD (E). Passe a interface através dos olhais giratórios para que o SRD fique pendurado pela estrutura da interface de arnês (F).
 4. **Posicione a interface de arnês à volta das correias:** Posicione a lingueta aberta da interface de arnês à volta das correias de tecido soltas (A).
 5. **Feche a interface de arnês:** Empurre o pino de bloqueio da interface de arnês (D) através das correias (A) soltas até ficar bloqueado na extremidade oposta da interface de arnês. Puxe para trás as correias através do anel de ancoragem dorsal e almofada traseira para prender a interface de arnês.

A faixa vermelha na extremidade do botão do pino de bloqueio da interface de arnês ficará exposta se a interface de arnês estiver desbloqueada. Para evitar a libertação acidental da ligação, certifique-se sempre de que a interface de arnês está bloqueada antes de utilizar o arnês e o SRD ligado. O incumprimento dessas instruções poderá resultar em lesões ou morte.

- **Fixação de Arnês para SRD Duplo:** Nas aplicações de escalada em que é necessária uma amarração a 100%, a interface de arnês para SRD pode ser utilizada para montar duas SRDs lado a lado na parte traseira de um arnês de corpo inteiro precisamente abaixo do anel de ancoragem dorsal (consulte a Figura 9). Para montar duas SRD num arnês de corpo inteiro com a interface de arnês para SRD:
 1. **Solte a malha de rede do arnês:** Puxe para fora as correias (A) no local onde passam através da parte inferior da argola em D dorsal (B) até haver espaço suficiente para fazer deslizar a interface de arnês para SRD entre as correias e a almofada do anel de ancoragem dorsal.
 2. **Abra a interface de arnês:** Empurre para baixo os botões de bloqueio (C) simultaneamente e faça deslizar para fora o pino de bloqueio (D).
 3. **Posicione os SRDs na interface de arnês:** Insira a lingueta aberta na interface de arnês através do olhal giratório em cada SRD (E). Passe a interface através dos olhais giratórios para que os SRDs fiquem pendurados pela estrutura da interface de arnês (F).
 4. **Posicione a interface de arnês à volta das correias:** Posicione a lingueta aberta da interface de arnês à volta das correias de tecido soltas (A).
 5. **Feche a interface de arnês:** Empurre o pino de bloqueio da interface de arnês (D) através das correias (A) soltas até ficar bloqueado na extremidade oposta da interface de arnês. Puxe para trás as correias através do anel de ancoragem dorsal e almofada traseira para prender a interface de arnês.

A faixa vermelha na extremidade do botão do pino de bloqueio da interface de arnês ficará exposta se a interface de arnês estiver desbloqueada. Para evitar a libertação acidental da ligação, certifique-se sempre de que a interface de arnês está bloqueada antes de utilizar o arnês e o SRD ligado. O incumprimento dessas instruções poderá resultar em lesões ou morte.

- **Fixação de Arnês com argola em D fixa para SRD duplo:** Os antigos arneses de corpo inteiro ExoFit com uma argola em D fixa requerem uma interface de arnês para SRD para montar duas SRDs na parte de trás do arnês precisamente abaixo do anel de ancoragem dorsal. Para montar duas SRDs num arnês de corpo inteiro ExoFit com a interface de arnês fixa para SRD (Figura 10):
 1. **Solte a malha de rede do arnês:** Puxe para fora as correias (A) no local onde passam através da parte inferior da argola em D dorsal (B) até haver espaço suficiente para introduzir a interface de arnês para SRD entre as correias e a almofada traseira.
 2. **Abra a interface de arnês:** Com a interface de arnês para SRD orientada conforme ilustrado, empurre a manga de bloqueio (C) para o lado direito e, em seguida, rode no sentido dos ponteiros do relógio para desbloquear o trinco (D). Rodar para baixo o trinco (D) para abrir.
 3. **Passe a primeira SRD pela interface de arnês:** Introduza a extremidade do conector (E) através do olhal giratório (F) na SRD e, em seguida, rode a SRD até à extremidade do trinco do conector (G). O trinco pode ser fechado para permitir o afastamento do olhal giratório entre o trinco e a coluna do conector.
 4. **Posicione a interface de arnês à volta das correias:** Introduza a extremidade do conector (E) atrás das correias (A). Rode o conector atrás das correias até estas ficarem rodeadas pelo mesmo.
 5. **Adicione a segunda SRD à interface de arnês:** Faça deslizar o olhal giratório da SRD (F) sobre a extremidade do conector (E) e posicione o olhal giratório da SRD na extremidade do conector.
 6. **Feche a interface de arnês:** Permita que o trinco (D) rode fechado e que a manga de bloqueio (C) volte a rodar para a posição de bloqueio. Assim que a interface de arnês estiver fechada, volte a puxar as correias (A) para o anel de ancoragem dorsal de modo a eliminar folgas no sistema de rede e fixe a interface do arnês entre as correias e a almofada traseira.
- **Mosquetão duplo 3M® DBI-SALA®:** O mosquetão duplo 3M® DBI-SALA® foi concebido para montar dois SRDs Nano-Lok lado a lado na parte traseira de um arnês de corpo inteiro precisamente abaixo da argola em D dorsal (consulte a Figura 12). Para montar dois SRDs Nano-Lok num arnês de corpo inteiro com o mosquetão duplo:
 1. **Solte a malha de rede do arnês:** Puxe para fora as correias (A) no local onde passam através da parte inferior da argola em D dorsal (B) até haver espaço suficiente para fazer deslizar a interface de perna dupla entre as correias e a almofada do anel de ancoragem dorsal.
 2. **Abra o mosquetão duplo:** Empurre para cima a inserção do conector (C) para desapertar as braçadeiras (D) do mesmo e, em seguida, rode para cima a inserção do conector para desbloquear o trinco. Empurre para dentro o trinco (E) para abrir o conector.
 3. **Passe o primeiro SRD Nano-Lok SRD através do mosquetão duplo:** Introduza a extremidade do conector (F) através do olhal giratório (G) no SRD e, em seguida, rode o SRD até à extremidade do trinco do conector (H). O trinco pode ser rodado na direção da extremidade para permitir o afastamento do olhal giratório entre o trinco e a coluna do conector.
 4. **Posicione o mosquetão duplo à volta das correias:** Com o trinco virado para cima, introduza a extremidade do nariz do conector (F) atrás das correias (A). Rode o conector atrás das correias até que o conector envolva as mesmas.
 5. **Adicione o segundo SRD Nano-Lok sobre o mosquetão duplo:** Faça deslizar o olhal giratório do SRD (G) sobre o nariz do conector (F) e posicione o olhal giratório do SRD na extremidade nasal do conector (F). Rode o trinco (E) fechado.
 6. **Feche o mosquetão duplo:** Rode a inserção do conector (C) para a frente para prender as braçadeiras (D) ao conector. Quando corretamente fechadas, as correias devem passar pela ranhura da malha de rede (J) na parte superior da inserção do conector e os olhais giratórios da SRL devem estar presos nos elementos de fixação (K) nos lados da inserção do conector. Assim que a interface de arnês estiver fechada, volte a puxar as correias (A) pela argola em D dorsal e almofada do anel de ancoragem dorsal de modo a eliminar folgas na malha de rede e fixe o conector entre as correias e a almofada da argola em D.
- **Mosquetão de pino duplo 3M® DBI-SALA®:** Esta fixação de arnês pode ser utilizada para montar uma SRL Nano-Lok ou duas SRLs Nano-Lok em aplicações de subida (consulte a Figura 11) onde é necessária uma amarração a 100%:
 1. **Solte a malha de rede do arnês:** Puxe para fora as correias (A) no local onde passam através da parte inferior da argola em D dorsal (B) até haver espaço suficiente para fazer deslizar a interface de perna dupla entre as correias e a almofada do anel de ancoragem dorsal.
 2. **Para configuração simples:** Coloque o olhal giratório de uma SRL simples no espaço central aberto.
 3. **Para configuração dupla:** Coloque o olhal giratório de uma SRL no espaço aberto mais próximo do pino e uma SRL no espaço aberto mais afastado do pino.
 4. Faça deslizar o pino para a posição inicial até ouvir um clique. O pino deve ficar totalmente bloqueado.
 5. Pressione em simultâneo os dois botões no lado do arnês do conector enquanto faz deslizar o pino para fora. O deslizamento deste pino para fora cria um espaço aberto.
 6. Puxe para cima um pouco de folga no tecido diretamente por baixo do anel de ancoragem dorsal do seu arnês. Coloque o lado do arnês do conector por baixo do anel de ancoragem.
 7. Faça deslizar o pino para a posição inicial, garantindo que o pino fica por baixo de ambas as camadas de tecido do arnês até ouvir um clique. O pino deve ficar totalmente bloqueado.

4.0 FUNCIONAMENTO

As pessoas que utilizam pela primeira vez ou com pouca frequência os dispositivos autorretráteis (SRD) devem rever as "Informações de Segurança" no início deste manual antes de utilizarem o SRD.

- 4.1 ANTES DE CADA UTILIZAÇÃO:** Antes de cada utilização deste equipamento de proteção antiqueda, inspecione-o cuidadosamente para se certificar de que se encontra nas devidas condições de trabalho. Verifique se existem peças desgastadas ou danificadas. Certifique-se da presença e segurança de todos os parafusos. Verifique se a corda de segurança está a recolher corretamente puxando-a para fora e deixando que recolha lentamente. Se houver hesitações na retração, a unidade deve ser colocada fora de serviço e destruída. Inspeccione a corda de segurança quanto a cortes, fios partidos, queimaduras, esmagamentos e corrosão. Verifique a ação de bloqueio, puxando bruscamente a corda. Consulte o Registo de inspeção e manutenção (Tabela 3) em relação a dados de inspeção. Não a utilize se a inspeção revelar um estado que não ofereça segurança.

- 4.2 APÓS UMA QUEDA:** Qualquer equipamento que tenha sido sujeito a forças de paragem de uma queda ou apresentar danos consistentes com o efeito de forças de detenção de queda conforme é descrito na Tabela 3, tem de ser retirado de imediato de serviço e destruído.
- 4.3 APOIO DO CORPO:** Ao utilizar um SRD, deve usar um arnês de corpo inteiro. Para utilizações de proteção geral contra quedas, prenda ao (dorsal) D-Ring traseiro.
- 4.4 EFETUAR LIGAÇÕES:** A Figura 5 ilustra as ligações de arnês e de ancoragem para os sistemas de paragem de queda SRD. Ao utilizar um gancho para estabelecer uma ligação, certifique-se de que não existe a possibilidade de deslize (consulte a Figura 5). Não utilize ganchos ou conectores que não fechem completamente sobre o objeto de fixação. Não utilize ganchos de engate rápido que não sejam de bloqueio automático. A ancoragem tem de estar em conformidade com os requisitos de resistência da ancoragem indicados na Tabela 2. Siga as instruções do fabricante fornecidas com cada componente de sistema.
- 4.5 FUNCIONAMENTO:** Antes da utilização, inspecione a SRD conforme descrito na Tabela 3. A Figura 14 mostra as ligações do sistema para aplicações normais de SRD. Ligue a SRD a uma ancoragem correta ou monte a SRD na parte traseira de um arnês de corpo inteiro conforme as instruções na Secção 3. Em SRDs ligadas a uma ancoragem, ligue o gancho (D) ou mosquetão no indicador de carga ao anel de ancoragem dorsal (A) no arnês de corpo inteiro. Nas SRDs montadas em arneses, ligue o gancho (D) ou mosquetão a uma ancoragem correta. Certifique-se de que todas as ligações são compatíveis em tamanho, forma e resistência. Certifique-se de que os mosquetões estão totalmente fechados e bloqueados. Logo que se encontre ancorado, o trabalhador é livre de se movimentar dentro da área de trabalho recomendada e à velocidade normal. Em caso de queda, o SRD irá bloquear e pará-la. Após o salvamento, não continue a utilizar o SRD. Quando trabalhar com um SRD, permita sempre que a corda de segurança recolha para dentro do dispositivo sob controlo.
- 4.6 AMARRAÇÃO A 100% DA INTERFACE DE SRD DUPLA:** Quando dois SRD são montados lado a lado na parte traseira de um arnês de corpo inteiro, o sistema de detenção de queda SRD pode ser utilizado para uma proteção antiqueda contínua (amarração a 100%) em subidas, descidas ou deslocações laterais (consulte a Figura 15). Com a perna do cabo de tração de um SRD presa a um ponto de ancoragem, o trabalhador pode mover-se para outro local, prender a perna do cabo de tração do outro SRD que não está a utilizar a outro ponto de ancoragem e, em seguida, desprender-se do ponto de ancoragem original. A sequência repete-se até o trabalhador chegar ao local pretendido. As considerações para aplicações de amarração a 100% do SRD duplo incluem o seguinte:
- Nunca ligue ambos os cabos de segurança do SRD ao mesmo ponto de ancoragem (consulte a Figura 16A).
 - Ligar mais do que um conector a um único ponto de ancoragem (argola ou olhal) pode comprometer a compatibilidade da ligação devido à interação entre conectores e não é recomendado.
 - A ligação de cada cabo de tração do SRD a um ponto de ancoragem em separado é aceitável (Figura 16B).
 - Cada local de ligação tem de suportar de forma independente 10 kN (2248 libras) ou ser um sistema especialmente concebido, à semelhança da corda de segurança horizontal.
 - Nunca ligue mais do que uma pessoa de cada vez a um sistema de SRD duplo (Figura 16C).
 - Não permita que os cabos de tração fiquem enrolados ou torcidos, o que poderia impedir a respetiva retração.
 - Não permita que os cabos de tração passem sob os braços ou entre as pernas durante o uso.
- 4.7 FIXAÇÃO DE ANEL DE ANCORAGEM DORSAL DE SRD DUPLO:** Os modelos com o mosquetão de tripla ação podem ser montados no anel de ancoragem dorsal numa configuração dupla. Para montar dois SRDs no anel de ancoragem dorsal de um arnês (Figura 13):
- 1. Abra o mosquetão de tripla ação:** Com o mosquetão de tripla ação orientado conforme ilustrado, empurre a manga de bloqueio (C) para a direita e, em seguida, rode no sentido dos ponteiros do relógio para desbloquear o trinco (D). Rodar para baixo o trinco (D) para abrir.
 - 2. Passe o primeiro SRD pelo mosquetão de ação tripla:** Introduza a extremidade do conector (E) através do olhal giratório (F) no SRD e, em seguida, rode o SRD até à extremidade do trinco do conector (G). O trinco pode ser fechado para permitir o afastamento do olhal giratório entre o trinco e a coluna do conector.
 - 3. Adicione o segundo SRD no mosquetão de ação tripla:** Faça deslizar o olhal giratório do SRD (F) sobre a extremidade do conector (E).
 - 4. Passe o mosquetão de ação tripla através do anel de ancoragem:** Insira a extremidade do conector (E) através do anel de ancoragem dorsal (A). Rode o conector através do anel de ancoragem até que o trinco possa seja fechado.
 - 5. Feche o mosquetão de tripla ação:** Permita que o trinco (D) rode fechado e que a manga de bloqueio (C) volte a rodar para a posição de bloqueio.
- 4.8 SISTEMAS HORIZONTAIS:** Em aplicações em que um SRD é utilizado em conjunto com um sistema horizontal (por exemplo, corda de segurança horizontal, trólei de vigas em I horizontal), os componentes do SRD e do sistema horizontal têm de ser compatíveis. Os sistemas horizontais deverão ser concebidos e instalados sob a supervisão de um engenheiro qualificado. Consulte as instruções do fabricante do equipamento do sistema horizontal para obter mais informações.
- Os valores de altura livre de queda na Figura 4 baseiam-se na ancoragem a um ponto de ancoragem rígido e estacionário e não se aplicam à ancoragem a um sistema de linha de vida horizontal (HLL). Consulte o Manual de Instruções da HLL e o Instalador da HLL para determinar as alturas livres de queda necessárias.

5.0 Inspeção

- 5.1 ETIQUETA RFID:** O dispositivo autorretrátil inclui uma etiqueta de identificação de radiofrequência (RFID) (consulte a Figura 17). A etiqueta de RFID pode ser utilizada conjuntamente com o dispositivo de leitura portátil e o portal da Internet para simplificar a inspeção e controlo do inventário, bem como fornecer registos para o seu equipamento de proteção antiqueda. Para mais pormenores, contacte um representante de apoio ao cliente da 3M (consulte a contracapa). Siga as instruções incluídas no leitor portátil ou indicadas no portal da Internet sobre como transferir os dados para o registo na Internet.

5.2 FREQUÊNCIA DE INSPEÇÃO: O dispositivo autorretrátil tem de ser inspecionado nos intervalos definidos na Secção 2. Os procedimentos de inspeção são descritos em "Registo de inspeção e manutenção" (Tabela 3).

Condições de trabalho extremas (ambientes difíceis, utilização prolongada, etc.) podem exigir um aumento da frequência das inspeções (consulte a Tabela 2).

5.3 CONDIÇÕES PERIGOSAS OU DEFEITUOSAS: Se a inspeção revelar condições perigosas ou defeituosas, coloque imediatamente o SRD fora de serviço e elimine-o (consulte a Secção 6).

Apenas a 3M ou terceiros com autorização escrita podem efetuar reparações neste equipamento.

5.4 VIDA DO PRODUTO: A vida funcional dos SRD 3M é determinada pelas condições de trabalho e manutenção. Enquanto o produto passar os critérios de inspeção, poderá continuar a ser utilizado (durante o período de vida útil do produto). O período máximo de vida útil do SRD com correias em tecido é de 10 anos a partir da data de fabrico.

6.0 MANUTENÇÃO, ASSISTÊNCIA e ARMAZENAMENTO

6.1 LIMPEZA: Os procedimentos de limpeza do SRD são os seguintes:

- Limpe periodicamente o exterior do SRD com água e uma solução de sabão suave. Posicione o SRD de tal forma que o excesso de água possa ser drenado. Limpe as etiquetas, conforme necessário.
- Limpe a corda de segurança do tipo cordame com uma solução de sabão suave e água. Passe por água e deixe secar completamente ao ar. Não aplique calor para acelerar a secagem. A corda de segurança deve estar seca antes de a recolher no invólucro. Uma acumulação excessiva de sujidade, tinta, etc., poderá impedir a retração total da corda de segurança no invólucro, causando um risco potencial de queda livre.

6.2 ASSISTÊNCIA: Os SRD não têm reparação. Se o SRD tiver sido sujeito a uma força de queda ou a inspeção revelar condições perigosas ou defeituosas, coloque o SRD fora de serviço e elimine-o (consulte "Eliminação").

6.3 TRANSPORTE/ARMAZENAMENTO: Transporte e armazene o SRD num ambiente seco, fresco e limpo, longe da incidência direta da luz solar. Evite áreas onde possam existir vapores químicos. Inspeccione minuciosamente o SRD após qualquer armazenamento prolongado.

6.4 ELIMINAÇÃO: Elimine o SRD se este tiver sido sujeito à força de detenção de queda ou se a inspeção revelar uma condição perigosa ou defeituosa. Antes de eliminar o SRD, corte a corda de segurança ao meio ou desative o SRD para eliminar a possibilidade de reutilização indevida.

7.0 Etiquetas

A Figura 22 ilustra as etiquetas nos dispositivos autorretráteis e as suas localizações. Todas as etiquetas têm que estar presentes no SRD. As etiquetas devem ser substituídas se não forem completamente legíveis. Os pictogramas nas etiquetas são definidos da seguinte forma:

1	Inspecione o mosquetão e o indicador de impacto
2	Inspecione a ação de travagem da SRL
3	Forma correta de ligar a SRL ao arnês
4	Não aprovado para arestas cortantes. Pode ser ligado a um ponto de ancoragem a um nível acima, abaixo ou igual com o anel de ancoragem dorsal (máximo de 140 kg).
5	Amplitude de temperaturas para utilização -40 °C - +60 °C
6	Capacidade máxima de 140 kg
7	Permita sempre que o cabo de segurança recolha para dentro da SRL sob controlo
8	Não efetuar reparações
9	Guarde num ambiente fresco, seco e limpo, afastado da luz solar direta.
10	Não sujeite a carga sobre uma extremidade
11	Não retire esta etiqueta

Tabela 3 – Registo de inspeção e manutenção

Número(s) de série:		Data de aquisição:	
Número do modelo:		Data da primeira utilização:	
Data da inspeção:		Inspecionado por:	
Componente:	Inspecção: (Para obter mais informações acerca da <i>Frequência de inspeções da unidade</i> , consulte a secção 2)	Aprovado	Reprovado
SRD (Figura 18)	Inspecione para detetar elementos de fixação soltos e peças dobradas ou danificadas.	<input type="checkbox"/>	<input type="checkbox"/>
	Verifique se existem distorções, fendas ou outros danos no invólucro (A).	<input type="checkbox"/>	<input type="checkbox"/>
	Inspecione a cabeça giratória (B) e o olhal giratório (C) ou o conetor integrado (D) para verificar se existem distorções, fendas ou outros danos. A cabeça giratória deve ser presa corretamente à SRL, mas deve girar livremente. O olhal giratório ou o conetor integral deve rodar livremente na cabeça giratória.	<input type="checkbox"/>	<input type="checkbox"/>
	A corda de segurança de tipo cordame (D) deverá poder esticar e encolher totalmente sem hesitações e sem criar folgas.	<input type="checkbox"/>	<input type="checkbox"/>
	Certifique-se de que o SRD trava quando a corda de segurança é puxada bruscamente. A travagem deve ser positiva e sem deslizamentos.	<input type="checkbox"/>	<input type="checkbox"/>
	Todas as etiquetas devem estar presentes e completamente legíveis (consulte a Figura 20).	<input type="checkbox"/>	<input type="checkbox"/>
	Procure sinais de corrosão em todo o SRD.	<input type="checkbox"/>	<input type="checkbox"/>
Conectores finais (Figura 19)	A Tabela 2 identifica os conectores finais que devem ser incluídos no seu modelo do SRD Nano-Lok. Inspecione todos os ganchos de engate rápido, mosquetões, ganchos para barra de reforço, interfaces, etc., em termos de vestígios de danos, corrosão e estado de funcionamento correto. Sempre que estiverem presentes: Os trincos devem abrir, fechar, bloquear e desbloquear corretamente, e os botões de bloqueio e os pinos de bloqueio devem funcionar corretamente.	<input type="checkbox"/>	<input type="checkbox"/>
Corda de segurança do tipo cordame (Figura 20)	Inspecione as cintas; o material não pode apresentar fibras cortadas (A), coçadas (B) ou partidas. Verifique a existência de cortes, abrasões, excesso de sujidade (C), bolor, queimaduras (D) ou descoloração. Inspecione os pespontos em relação a fios puxados ou partidos. Os pespontos podem indicar que o arnês sofreu um forte impacto, pelo que deve ser retirado de serviço.	<input type="checkbox"/>	<input type="checkbox"/>
Absorvedor de energia (Figura 21)	Certifique-se de que o absorvedor de energia não foi ativado. Uma cobertura aberta ou rasgada (A), tecido puxado para fora da cobertura, rasgado ou desfiado (B), pespontos rasgados, etc., são indicadores de um amortecedor de energia ativada.	<input type="checkbox"/>	<input type="checkbox"/>
Ação corretiva/manutenção:		Aprovado por:	
		Data:	
Ação corretiva/manutenção:		Aprovado por:	
		Data:	
Ação corretiva/manutenção:		Aprovado por:	
		Data:	
Ação corretiva/manutenção:		Aprovado por:	
		Data:	
Ação corretiva/manutenção:		Aprovado por:	
		Data:	
Ação corretiva/manutenção:		Aprovado por:	
		Data:	
Ação corretiva/manutenção:		Aprovado por:	
		Data:	

INFORMAȚII PRIVIND SIGURANȚA

Înainte de a utiliza acest dispozitiv cu rapel automat (SRD), vă rugăm să citiți, să vă asigurați că ați înțeles și să aplicați toate informațiile privind siguranța care sunt incluse în aceste instrucțiuni. ÎN CAZ CONTRAR, SE POT PRODUCE ACCIDENTĂRI GRAVE SAU CHIAR DECESUL.

Utilizatorul acestui echipament trebuie să primească aceste instrucțiuni. Păstrați aceste instrucțiuni pentru a le consulta ulterior.

Domeniu de utilizare:

acest dispozitiv cu rapel automat este destinat a fi utilizat ca parte a unui sistem complet de protecție individuală împotriva căderii.

Utilizarea în orice alt scop, inclusiv, dar fără limitare la manevrarea materialelor, activități recreative sau sportive sau pentru orice alte activități care nu sunt descrise în Instrucțiunile de utilizare, nu este aprobată de 3M și poate genera accidentări grave sau decesul.

Acest dispozitiv trebuie folosit numai de către utilizatorii instruiți pentru activitățile desfășurate la locul lor de muncă.

! AVERTIZARE

Acest dispozitiv cu rapel automat face parte dintr-un sistem complet de protecție individuală împotriva căderii. Este necesar ca toți utilizatorii să fie instruiți temeinic în privința instalării și a utilizării în condiții de siguranță a sistemului lor de protecție individuală împotriva căderii. **Utilizarea inadecvată a acestui dispozitiv poate genera accidentări grave sau decesul.** Pentru selectarea, utilizarea, instalarea, întreținerea și repararea adecvată a produsului, vă rugăm să consultați aceste Instrucțiuni de utilizare, inclusiv toate recomandările producătorului, să consultați un supervisor sau să contactați Serviciul tehnic 3M.

- **Pentru a reduce riscurile asociate utilizării unui SRD care, dacă nu sunt evitate, ar putea genera accidentări grave sau decesul:**
 - Înainte de fiecare utilizare, inspectați dispozitivul SRD și verificați blocarea și retragerea corespunzătoare a acestuia.
 - Dacă, în urma inspecției, se constată un defect sau existența unei situații ce nu prezintă siguranță, nu mai utilizați dispozitivul și reparați-l sau înlocuiți-l în conformitate cu Instrucțiunile de utilizare.
 - Dacă dispozitivul SRD a fost supus unor forțe de oprire a căderii sau de impact, scoateți imediat din uz dispozitivul SRD și etichetați-l drept „INUTILIZABIL”.
 - Asigurați-vă că linia vieții nu prezintă niciun obstacol, incluzând, fără însă a se limita la: încurcarea cu mașini sau echipamente aflate în mișcare (de ex. mecanismul superior de acționare a sondelor de petrol), cu alți lucrători, cu dvs., cu obiectele din jur sau interferarea cu obiecte suspendate care ar putea cădea pe linia vieții sau pe lucrător.
 - Nu permiteți niciodată un joc în linia vieții. Nu legați și nu înnoțați linia vieții.
 - Prindeți brațul sau brațele neutilizate ale dispozitivului SRD instalat pe centura complexă de siguranță de elementele de prindere pentru poziționare de pe centura complexă de siguranță, dacă este prevăzută.
 - A nu se utiliza în aplicații care au o cale de cădere obstrucționată. Lucrul pe materiale mișcătoare, cum ar fi nisipul sau grănele, sau în spații închise ori înghesuite, poate să nu îi permită lucrătorului să acumuleze o viteză suficientă pentru blocarea dispozitivului SRD. Este nevoie de o cale liberă pentru a asigura blocarea sigură a dispozitivului SRD.
 - Evitați mișcările bruște sau rapide în timpul funcționării normale pentru lucru. Acest lucru poate determina blocarea dispozitivului.
 - Asigurați-vă că sistemele/subsistemele de protecție împotriva căderii care sunt asamblate din componente provenind de la diverși producători sunt compatibile și îndeplinesc cerințele standardelor aplicabile, inclusiv ANSI Z359 sau alte coduri, standarde sau cerințe aplicabile privind protecția împotriva căderii. Consultați-vă întotdeauna cu o persoană competentă și/sau calificată înainte de a folosi aceste sisteme.
- **Pentru a reduce riscurile asociate lucrului la înălțime care, dacă nu sunt evitate, ar putea genera accidentări grave sau decesul:**
 - Asigurați-vă că starea dvs. de sănătate și condiția dvs. fizică vă permit să rezistați în condiții de siguranță la toate forțele asociate lucrului la înălțime. Consultați medicul dacă aveți întrebări despre capacitatea dvs. de a folosi acest echipament.
 - Nu depășiți niciodată capacitatea permisă a echipamentului dvs. de protecție împotriva căderii.
 - Nu depășiți niciodată distanța maximă de cădere liberă a echipamentului dvs. de protecție împotriva căderii.
 - Nu folosiți echipamente de protecție împotriva căderii care nu au trecut cu succes inspecția anterioară utilizării sau alte inspecții programate sau dacă aveți suspiciuni privind utilizarea sau adecvarea echipamentului pentru activitatea dvs. Pentru orice întrebări, adresați-vă Serviciului tehnic 3M.
 - Unele combinații de subsisteme și componente pot interfera cu funcționarea acestui echipament. Folosiți numai elemente de conectare compatibile. Consultați-vă cu specialiștii 3M înainte de a folosi acest echipament în combinație cu alte componente sau subsisteme decât cele descrise în Instrucțiunile de utilizare.
 - Aplicați măsuri de precauție suplimentare atunci când lucrați în preajma mașinilor aflate în mișcare (de ex., mecanismul superior de acționare a sondelor de petrol), în condiții de pericol electric sau chimic, la temperaturi extreme, în apropiere de gaze explozive sau toxice, lângă muchii ascuțite sau sub materiale suspendate care ar putea cădea pe dvs. sau pe echipamentul dvs. de protecție împotriva căderii.
 - Folosiți dispozitive cu arc electric sau dispozitive pentru lucrul la cald atunci când lucrați în medii cu temperaturi foarte ridicate.
 - Evitați suprafețele și obiectele care pot vătăma utilizatorul sau avaria echipamentul.
 - Atunci când lucrați la înălțime, asigurați-vă că există un interval adecvat de siguranță la cădere.
 - Nu modificați și nu transformați niciodată echipamentul dvs. de protecție împotriva căderii. Doar 3M sau persoanele autorizate în scris de 3M pot efectua reparații la acest echipament.
 - Înainte de utilizarea unui echipament de protecție împotriva căderii, asigurați-vă că s-a instituit un plan de salvare, care permite salvarea promptă în cazul în care are loc o cădere.
 - Dacă are loc un incident de cădere, apelați imediat la serviciile de asistență medicală pentru lucrătorul care a căzut.
 - Nu folosiți o centură de corp pentru activitățile care cer oprirea căderii. Folosiți numai o centură complexă de siguranță pentru întregul corp.
 - Reduceți riscul de cădere cu balans lucrând cât mai direct posibil sub punctul de ancorare.
 - Dacă exersați utilizarea acestui dispozitiv, trebuie să utilizați un sistem secundar de protecție împotriva căderii, într-un mod care să nu expună persoana care exersează la un pericol de cădere neintenționat.
 - Purtați întotdeauna echipamentele adecvate de protecție individuală atunci când instalați, utilizați sau inspectați dispozitivul/sistemul.

Înainte de utilizarea acestui echipament, înregistrați informațiile de identificare a produsului de pe eticheta de identificare din „Jurnalul de inspecție și întreținere” de la finalul acestui manual.

DESCRIERE:

Figura 2 identifică componentele cheie ale 3M™ DBI-SALA® Dispozitive autoretractabile (SRDs) Nano-Lok. Dispozitivele autoretractabile Nano-Lok sunt sisteme de linia vieții cu sistem de chingi cu înfășurare pe cilindru (A) cu un Dispozitiv liniar de absorbție a energiei de șoc (B), care se retrage într-o Carcasă din nailon (C). Un ochi pivotant (D) aflat deasupra Carcasei permite prinderea de un punct de racordare cu ancorare corectă, printr-o Carabinieră (E) sau montarea pe o centură complexă de siguranță pentru întregul corp cu ajutorul unei interfețe a centurii complexe de siguranță (F). Figura 1 identifică modelele disponibile Nano-Lok și configurațiile conectorilor lor. Consultați Tabelul 1 pentru Dispozitivele autoretractabile Nano-Lok și specificațiile conectorilor.

Tabelul 1 - Specificații

Specificații componentă:

Carcase Sisteme linia vieții autoretractabile (SRL)	Nailon
Cilindru	Nailon
Componente interne	Oțel inoxidabil, AluminIU
Linia vieții cu sistem de chingi	Poliester dyneema
Dispozitiv de absorbție a energiei de șoc	Înveliș: Cauciuc nitrilic, Sistem de chingi: Poliester, Împletitură: Fir de poliester sau nailon
Pivot	Oțel placat cu zinc

Specificațiile conectorilor:

	Descriere	Material	Deschidere clapetă	Rezistență clapetă	Rezistență la tracțiune
①	Ochi pivotant	Oțel	22,35 mm (0,88 țoli) diametru interior	X	22,2 kN (5.000 livre)
②	Carabinieră	AluminIU	19 mm (3/4 țoli)	16 kN (3600 livre)	22,2 kN (5000 livre)
③	Carabinieră	Oțel	19 mm (3/4 țoli)	16 kN (3600 livre)	22,2 kN (5000 livre)
④	Interfață simplă dispozitiv autoretractabil	Oțel	51 mm (2 țoli)	16 kN (3600 livre)	22,2 kN (5000 livre)
⑤	Interfață dispozitiv autoretractabil dublu	Oțel cu inserție de nailon	19 mm (3/4 țoli)	16 kN (3.600 livre)	22,2 kN (5000 livre)
⑥	Carabinieră	AluminIU, Oțel	56 mm (2.19 țoli)	16 kN (3600 livre)	22,2 kN (5000 livre)
⑦	Carabinieră	AluminIU	19 mm (3/4 țoli)	16 kN (3600 livre)	22,2 kN (5000 livre)
⑧	Cârlig de armatură	AluminIU	57 mm (2-1/4 țoli)	16 kN (3600 livre)	22,2 kN (5000 livre)
⑨	Cârlig de armatură	AluminIU	63 mm (2-1/2 țoli)	16 kN (3600 livre)	22,2 kN (5000 livre)
⑩	Carabinieră	AluminIU	52 mm (2 țoli)	16 kN (3600 livre)	22,2 kN (5000 livre)
⑪	Cârlig de armatură	AluminIU, Oțel	63 mm (2-1/2 țoli)	16 kN (3600 livre)	22,2 kN (5000 livre)
⑫	Carabinieră	Oțel	19 mm (3/4 țoli)	16 kN (3600 livre)	22,2 kN (5000 livre)
⑬	Cârlig de armatură	AluminIU	57 mm (2-1/4 țoli)	16 kN (3600 livre)	22,2 kN (5000 livre)
⑭	Inel de siguranță	Oțel	19 mm (3/4 țoli)	16 kN (3600 livre)	22,2 kN (5000 livre)

Specificații de performanță:

Specificații linie de viață autoretractabilă (Verticală)	Modele CE	
Limite de capacitate	59 kg - 100 kg (130 livre - 220 livre)	100 kg - 140 kg (220 livre - 310 livre)
Forța maximă de oprire	6 kN (1350 livre)	6 kN (1350 livre)
Forța medie de oprire:	4 kN (900 livre)	4 kN (900 livre)
Distanța maximă de oprire pretinsă¹	0,61 m (24 țoli)	0,61 m (24 țoli)
Intervalul minim de siguranță la cădere solicitat¹	1,5 m (5 picioare)	1,8 m (5,8 picioare)
Căderea liberă maximă²	1,5 m (5 picioare)	1,5 m (5 picioare)

1 - Presupune ca sistemul linia vieții autoretractabil să fie montat direct deasupra (deasupra capului) utilizatorului final.

2 - Măsurat de la Inelul-D al utilizatorului la suprafața de mers/lucru. Consultați Tabelul(urile) intervalului de siguranță la cădere pentru detalii.

1.0 APLICAȚII

- 1.1 SCOP:** Dispozitivele cu rapel automat (dispozitivele SRD) sunt componente ale unui sistem individual de oprire a căderii (PFAS). Figura 1 ilustrează dispozitivele SRD prezentate în acest manual de instrucțiuni. Ele pot fi folosite în majoritatea situațiilor care necesită o combinație între mobilitatea lucrătorului și protecția anticădere (spre ex. lucrări de inspecție, construcții generale, lucrări de întreținere, producția de petrol, lucrul în spații închise etc.)
- 1.2 STANDARDE:** Dispozitivul dvs. SRD respectă standardele naționale și regionale identificate pe coperta față a acestor instrucțiuni. Pentru informații suplimentare privind sistemele de protecție individuală împotriva căderii, consultați reglementările locale, naționale și federale (OSHA).
- 1.3 FORMARE:** Acest echipament poate fi utilizat de persoane instruite în ceea ce privește aplicarea și utilizările corecte. Responsabilitatea de a se asigura că este familiar cu aceste instrucțiuni și că este instruit cu privire la îngrijirea și utilizarea corespunzătoare a acestui echipament îi revine utilizatorului. Utilizatorii trebuie să cunoască caracteristicile de funcționare, limitele de aplicare și consecințele utilizării incorecte a acestui echipament.
- 1.4 LIMITĂRI:** Luați întotdeauna în considerare următoarele limite atunci când instalați sau utilizați acest echipament:

- **Capacitate:** Dispozitivele SRD sunt destinate utilizării de către o persoană cu o greutate combinată (îmbrăcăminte, unelte etc.) care respectă *Intervalul de capacitate* specificat în Tabelul 1. Asigurați-vă că toate componentele sistemului dvs. au o capacitate nominală corespunzătoare aplicației dvs.
- **Ancorare:** Structura de ancorare pentru dispozitivul SRD trebuie să fie capabilă să susțină sarcini de cel puțin 12 kN (2.697 lb). Dispozitivele de ancorare trebuie să respecte EN795 sau alte standarde referitoare la conectorul de ancorare.
- **Viteza de blocare:** Se vor evita situațiile care nu permit o cale de cădere neobstrucționată. Lucrul în spații închise sau înghesuite sau pe o suprafață înclinată nu permite o viteză de reacție suficientă pentru a asigura blocarea SRD în cazul producerii unei căderi. Lucrul pe materiale mișcătoare, cum ar fi nisipul sau grânele, poate să nu permită acumularea unei viteze suficiente pentru blocarea SRD. Este nevoie de o cale liberă pentru a asigura blocarea sigură a dispozitivului SRD.
- **Cădere liberă:** În cazul ancorării suspendate, dispozitivele SRD vor limita distanța de cădere liberă la 0,6 m (2 ft.)¹. Pentru a evita mărirea distanțelor de cădere, ancorați dispozitivul SRD direct deasupra nivelului de lucru. Nu prindeți niciodată dispozitivul SRD de un punct de ancorare care va crea o cădere liberă mai mare de 1,5 m (5 ft). Evitați lucrul în condițiile în care linia vieții pe care o utilizați dvs. s-ar putea intersecta sau încurca cu cea a unui alt lucrător. Evitați lucrul în situația în care un obiect ar putea cădea sau lovi linia vieții, având ca rezultat pierderea echilibrului sau deteriorarea liniei vieții. Nu permiteți trecerea liniei vieții pe sub brațe sau între picioare în timpul utilizării. Nu prindeți, nu înnoadați și nu împiedicați niciodată retragerea sau întinderea liniei vieții. Evitați jocul în linia vieții. **Nu lungiți dispozitivele SRD conectând o coardă sau o componentă similară fără să consultați 3M.**
- **Căderi cu balans:** Căderile cu balans au loc atunci când punctul de ancorare nu este direct deasupra punctului în care are loc o cădere. Forța de lovire a unui obiect într-o cădere cu balans poate provoca vătămări grave sau decesul (consultați Figura 3A). Reduceți riscul de cădere cu balans lucrând cât mai direct posibil sub punctul de ancorare (Figura 3B). Lucrul la distanță de punctul de ancorare (Figura 3C) va crește impactul unei căderi cu balans și va crește intervalul de siguranță la cădere (FC) necesar.
- **Intervalul de siguranță la cădere:** Figura 3B ilustrează calcularea intervalului de siguranță la cădere. Intervalul de siguranță la cădere (FC) este suma dintre căderea liberă (FF), distanța de decelerare (DD) și factorul de siguranță (SF): $FC = FF + DD + SF$. Glisarea inelului-D și întinderea centurii complexe de siguranță sunt incluse în factorul de siguranță. Valorile pentru intervalul de siguranță la cădere au fost calculate și sunt reprezentate în Figura 4. Pentru toate valorile din Figura 4 a fost utilizat un factor de siguranță de 1 m (3,28 ft).

Figura 4 ilustrează intervalul de siguranță la cădere (FC) pe baza distanței orizontale (H) și verticale (V) dintre conexiunea dispozitivului SRD dorsal și punctul de ancorare. Fiecare linie de grilă orizontală de pe grafic(e) reprezintă distanța verticală de la punctul de ancorare. Fiecare linie de grilă verticală reprezintă distanța orizontală de la punctul de ancorare. Valoarea intervalului de siguranță la cădere (FC) este determinată în funcție de zona (liniile parabolice) în care se intersectează liniile de grilă orizontale (H) și verticale (V). Exemplul din Figura 4 ilustrează modul de determinare a valorii intervalului de siguranță la cădere (FC) necesar pentru distanțele verticale (V) și orizontale (H) specificate.

Puncte de ancorare variabile: Intervalele de siguranță la cădere din Figura 4 se bazează pe un punct de ancorare staționar, rigid. Dacă ancorarea se realizează la o linie a vieții orizontală (HLL) sau la un punct de ancorare care se poate deplasa, glisa sau deforma în timpul unei căderi, nu se vor aplica valorile pentru intervalul de siguranță la cădere din Figura 4. Consultați instrucțiunile pentru HLL sau pentru punctul de ancorare pentru detalii suplimentare cu privire la intervalele de siguranță la cădere necesare, devieri și/sau deformare.

Îngenunchere sau ghemuire: Tabelul de joc din Figura 4 presupune că lucrătorul este în picioare. În cazul în care lucrătorul va îngenunchea sau se va ghemui, este necesar un interval de siguranță la cădere suplimentar de 0,9 m (3 ft).

Nu realizați niciodată ancorarea sub picioare: Nu realizați niciodată o conexiune la un punct de ancorare de sub picioare.

- **Pericole:** Utilizarea acestui echipament în zone periculoase poate necesita măsuri de precauție suplimentare pentru a reduce riscul de accidentare a utilizatorului sau de deteriorare a echipamentului. Pericolele pot include, fără a se limita la: temperaturi ridicate, substanțe chimice caustice, medii corozive, cabluri electrice de înaltă tensiune, gaze explozive sau toxice, utilaje mobile sau materiale suspendate care pot să cadă sau să atingă utilizatorul sau sistemul de oprire a căderii. Evitați lucrul în condițiile în care linia vieții s-ar putea intersecta sau încurca cu cea a unui alt lucrător. Evitați lucrul în situația în care un obiect ar putea cădea sau lovi linia vieții, având ca rezultat pierderea echilibrului sau deteriorarea liniei vieții. Nu permiteți trecerea liniei vieții pe sub brațe sau între picioare în timpul utilizării.
- **Muchii ascuțiți:** Muchiile ascuțite cu care linia vieții cu SRD poate intra în contact în timpul unei căderi trebuie să aibă o rază minimă de 0,3 cm (0,125 in). În cazul în care contactul cu o muchie ascuțită nu poate fi evitat, acoperiți marginea cu un material de protecție.

¹ **Cădere liberă:** Aplicarea corectă a dispozitivului SRD, cu utilizatorul lucrând direct sub punctul de ancorare și fără joc la nivelul liniei vieții, va elimina căderea liberă. Consultați Figura 4 pentru locuri de ancorare acceptabile.

2.0 Utilizarea sistemului

- 2.1 PROTECȚIE ANTICĂDERE ȘI PLAN DE SALVARE:** Angajatorul trebuie să aibă stabilite norme de protecție anticădere și un plan de salvare. Planul trebuie să includă instrucțiuni și cerințe pentru un program de protecție anticădere gestionat de angajator, inclusiv politici, obligații și formare; proceduri anticădere; eliminarea și controlul pericolelor de cădere; proceduri de salvare; investigarea incidentelor; și evaluarea eficienței programului.
- 2.2 FRECVENȚA OPERAȚIUNILOR DE INSPECȚIE:** Dispozitivele SRD vor fi inspectate de o persoană autorizată¹ sau de salvator² înaintea fiecărei utilizări (Consultați Tabelul 3). De asemenea, se vor realiza și inspecții de către o persoană competentă³, alta decât utilizatorul. Condițiile dificile de lucru (mediu dur de lucru, utilizare îndelungată etc.) pot impune sporirea frecvenței inspecțiilor realizate de către o persoană competentă. Persoana competentă va utiliza *Planul de inspecție (Tabelul 2)* pentru a determina intervalele de inspecție adecvate. Procedurile de inspecție sunt descrise în *Jurnalul de inspecție și întreținere (Tabelul 3)*. Rezultatele inspecției realizate de persoana competentă trebuie înregistrate în *Jurnalul de inspecție și întreținere* sau urmărite cu ajutorul sistemului de identificare prin frecvență radio (consultați *Secțiunea 5*).
- 2.3 OPERAȚIUNI NORMALE:** Funcționarea normală îi va permite liniei vieții să se extindă și să se retragă fără ezitare sau joc pe măsură ce lucrătorul se deplasează cu o viteză normală. Dacă are loc o cădere, se va activa un sistem de detectare a vitezei, oprind căderea și amortizând cât se poate de mult din energia creată. Mișcările bruște sau rapide trebuie evitate în timpul unei operațiuni de lucru normale, întrucât acest lucru poate determina blocarea dispozitivului SRD. Pentru căderile care au loc spre finalul deplasării liniei vieții, a fost încorporat un sistem de linie a vieții de rezervă sau un amortizor de șoc pentru a reduce forțele de oprire a căderii.
- 2.4 SUSȚINEREA CORPULUI:** Centura complexă de siguranță trebuie folosită împreună cu un dispozitiv cu rapel automat. Punctul de prindere al centurii complexe de siguranță trebuie să fie poziționat deasupra centrului de greutate al utilizatorului. Nu este permisă utilizarea unei centuri de corp cu dispozitivul cu rapel automat. În cazul producerii unei căderi în timpul utilizării unei centuri de corp, se poate produce o desprindere accidentală sau o traumă fizică din cauza susținerii necorespunzătoare a corpului.
- 2.5 COMPATIBILITATEA COMPONENTELOR:** Dacă nu se specifică altfel, echipamentul 3M este conceput pentru a fi utilizat exclusiv împreună cu componente și subsisteme 3M aprobate. Substituirile sau înlocuirile realizate cu componente sau subsisteme neaprobate pot afecta compatibilitatea echipamentului și siguranța și fiabilitatea întregului sistem.
- 2.6 COMPATIBILITATEA ELEMENTELOR DE PRINDERE:** Conectorii sunt considerați compatibili cu elementele de conectare atunci când aceștia au fost concepuți să funcționeze împreună astfel încât dimensiunile și formele lor să nu determine deschiderea accidentală a mecanismelor de închidere ale acestora, indiferent de modul în care vor ajunge să fie orientate. Contactați 3M dacă aveți întrebări cu privire la compatibilitate. Conectorii (cârligele, carabinierele și inelele-D) trebuie să poată susține cel puțin 22,2 kN (5.000 lbs). Conectorii trebuie să fie compatibili cu elementul de ancorare sau cu alte componente ale sistemului. Nu utilizați echipamente care nu sunt compatibile. Conectorii incompatibili se pot desprinde în mod accidental (consultați Figura 5). Conectorii trebuie să fie compatibili ca dimensiune, formă și rezistență. Sunt necesare inele de siguranță și carabiniere autoblocante. Dacă elementul de conectare de care este prins un inel de siguranță sau o carabinieră este subdimensionat sau cu formă neregulată, poate apărea o situație în care elementul de conectare aplică o forță asupra închizătorii inelului de siguranță sau carabinierii (A). Această forță poate determina deschiderea închizătorii (B), permițând inelului de siguranță cu cârlig sau carabinierii să se desprindă din punctul de conectare (C).
- 2.7 EFECTUAREA CONEXIUNILOR:** Inelele de siguranță cu cârlig și carabinierele utilizate cu acest echipament trebuie să fie autoblocante. Asigurați-vă că toate elementele de conectare sunt compatibile ca dimensiune, formă și rezistență. Nu utilizați echipamente care nu sunt compatibile. Asigurați-vă că toți conectorii sunt complet închiși și blocați. Conectorii 3M (inelele de siguranță cu cârlig și carabinierele) sunt concepuți pentru a fi utilizați numai în conformitate cu instrucțiunile de utilizare specificate pentru fiecare produs. Consultați Figura 6 pentru exemple de conectori neadecvați.
- Nu conectați inele de siguranță cu cârlig și carabiniere:
- La un inel-D la care este conectat un alt conector.
 - Într-un mod în care ar putea duce la exercitarea unei sarcini pe dispozitivul de închidere. Inelele de siguranță cu cârlig cu gât larg nu vor fi conectate la inele-D de dimensiune standard sau la obiecte similare care ar determina o sarcină pe închizător în cazul rotirii cârligului sau a inelului-D; cu excepția cazului în care inelul de siguranță cu cârlig este dotat cu un închizător de 16 kN (3.600 lb).
 - Într-o cuplare falsă în care dimensiunile sau forma conectorilor corespunzători nu sunt compatibile și, fără confirmare vizuală, conectorii par perfect cuplați.
 - Una de cealaltă.
 - Direct de sistemul de chingi sau de coarda din frânghie sau de tirant (cu excepția cazului în care instrucțiunile producătorului atât pentru coardă, cât și pentru conector permit în mod specific o astfel de conectare).
 - De orice obiect care are o formă sau o dimensiune de a căa natură încât inelul de siguranță cu cârlig sau carabiniera să nu se închidă și să se blocheze sau să existe posibilitatea de desfacere.
 - Într-o modalitate care nu permite conectorului să se alinieze în mod corespunzător în timp ce este sub sarcină.

Tabelul 2 – Planul de inspecție

Tip de utilizare	Exemple de aplicații	Condiții de utilizare	Frecvența operațiilor de inspecție
			Persoană competentă
Între rar și condiții nesolicitante	Salvare și spații închise, întreținere în fabrică	Condiții de depozitare corespunzătoare, Utilizare în interior sau în exterior rar, Temperatura camerei, Medii curate	Annual
Între moderat și condiții solicitante	Transport, Construcții rezidențiale, Servicii publice, Depozit	Condiții de depozitare corecte, Utilizare în interior sau în exterior prelungită, Toate temperaturile, Medii curate sau cu praf	Între semestrial și anual
Între condiții severe și continuu	Construcții comerciale, Petrol și gaze, Minerit	Condiții de depozitare dure, Utilizare în exterior prelungită sau continuă, Toate temperaturile, Mediu murdar	Între trimestrial și semestrial

1 Persoană autorizată: O persoană desemnată de angajator pentru desfășurarea atribuțiilor sale într-un loc în care persoana va fi expusă la un pericol de cădere.

2 Salvator: Persoana sau persoanele diferite de subiectul operațiunii de salvare care efectuează o salvare asistată cu ajutorul unui sistem de salvare.

3 Persoană competentă: O persoană desemnată de angajator să fie responsabilă de supravegherea imediată, implementarea și monitorizarea programului de protecție anticădere gestionat de angajator care, prin formare și acumularea de cunoștințe, este capabilă să identifice, să evalueze și să soluționeze pericolele de cădere existente și potențiale și care este autorizată de angajator să ia măsuri corective imediate în privința pericolelor respective.

3.0 Montaj

- 3.1 PLANIFICARE:** Planificați-vă sistemul de protecție anticădere înainte de a demara activitatea. Luați în considerare toți factorii care vă pot afecta siguranța înainte, în timpul și după o cădere. Țineți cont de toate cerințele și limitările stabilite în secțiunea 2.

În majoritatea aplicațiilor, dispozitivele autoretractabile Nano-Lok pot fi conectate la un dispozitiv de ancorare sau la centuri complexe de siguranță în poziție dorsală. Oricare dintre poziționări este permisă; cu excepția celor menționate în secțiunea 4

- 3.2 ANCORARE:** Figura 7 ilustrează conexiunile tipice de ancorare pentru dispozitivele autoretractabile. Selectați un loc de ancorare cu pericole minime de cădere liberă și cădere cu balans (consultați secțiunea 1). Selectați un punct de ancorare rigid care să poată susține sarcinile statice stabilite în secțiunea 1. Când ancorarea deasupra capului nu este posibilă, dispozitivele autoretractabile Nano-Lok pot fi fixate într-un punct de ancorare situat sub nivelul Inelului-D dorsal al utilizatorului. Pentru utilizatorii până în 140 kg (310 livre), punctul de ancorare nu trebuie să fie cu mai mult de 5 picioare (1,5 m) mai jos de Inelul-D dorsal.

- 3.3 MONTAREA CENTURILOR COMPLEXE DE SIGURANȚĂ:** Unele modele de dispozitive autoretractabile includ o interfață de centuri complexe de siguranță cu dispozitiv simplu sau dublu autoretractabil pentru montarea dispozitivului(lor) autoretractabil(e) pe centura complexă de siguranță pentru întregul corp, mai jos de Inelul-D dorsal:

Unele Centuri complexe de siguranță pentru întregul corp sunt echipate cu o legătură personală pentru dispozitivele autoretractabile (PSRL Link), care integrează Inelul-D dorsal cu elemente de fixare pentru Dispozitivele autoretractabile cu centură complexă de siguranță montată (Figura 8). De asemenea, se poate conecta dispozitivul autoretractabil la Inelul-D dorsal al centurii complexe de siguranță cu ajutorul unei carabiniere sau al unui inel de siguranță la cârlig.

- **Montarea centurii complexe de siguranță cu dispozitiv autoretractabil simplu:** În cazurile în care mobilitatea lucrătorului este esențială, Interfața centurii complexe de siguranță a dispozitivului autoretractabil poate fi utilizată pentru a monta dispozitivul autoretractabil pe spatele centurii complexe de siguranță pentru întreg corpul, imediat sub Inelul-D dorsal (consultați Figura 9). Lucrătorul se poate conecta la diferite puncte de ancorare, localizate de-a lungul șantierului cu ajutorul capătului corzii dispozitivului autoretractabil, fără a reinstala în mod repetat dispozitivul autoretractabil. Pentru a monta dispozitivul autoretractabil pe o centură complexă de siguranță pentru întreg corpul cu interfața centurii complexe de siguranță a dispozitivului autoretractabil:
 1. **Slăbiți sistemul de chingi al centurii complexe de siguranță:** Trageți în afară chingile sistemului de chingi (A) acolo unde trec prin partea inferioară a Inelului-D dorsal (B), până când există suficient spațiu pentru a trage interfața centurii complexe de siguranță a dispozitivului autoretractabil între chingile sistemului de chingi și căptușeala Inelului-D.
 2. **Deschideți interfața centurii complexe de siguranță:** Apăsați simultan în jos butoanele de blocare (C) și scoateți afară știftul de blocare (D).
 3. **Poziționați dispozitivul autoretractabil pe interfața centurii complexe de siguranță:** Introduceți clapeta deschisă de pe interfața centurii complexe de siguranță prin ochiul pivotant de pe dispozitivul autoretractabil (E). Introduceți interfața prin ochiul pivotant, astfel încât dispozitivul autoretractabil să atârne de baza interfeței centurii complexe de siguranță (F).
 4. **Poziționați interfața centurii complexe de siguranță în jurul chingilor sistemului de chingi:** Poziționați clapeta deschisă a interfeței centurii complexe de siguranță în jurul chingilor desfăcute ale sistemului de chingi (A).
 5. **Închideți interfața centurii complexe de siguranță:** Împingeți știftul opritor al interfeței centurii complexe de siguranță (D) prin chingile desfăcute ale sistemului de chingi (A), până când acesta se blochează la capătul opus al interfeței centurii complexe de siguranță. Trageți chingile sistemului de chingi înapoi prin inelul-D dorsal și prin căptușeala dorsală, pentru a asigura interfața centurii complexe de siguranță.

Banda roșie de pe capătul butonului știftului opritor al interfeței centurii complexe de siguranță va fi expusă dacă interfața centurii complexe de siguranță nu este blocată. Pentru a evita eliberarea accidentală a conexiunii, asigurați-vă întotdeauna că interfața centurii complexe de siguranță este blocată înainte de a utiliza centura complexă de siguranță și dispozitivul autoretractabil atașat. În caz contrar, se pot produce accidente grave sau decese.

- **Montarea centurii complexe de siguranță cu dispozitiv autoretractabil dublu:** În activitățile de cățărare, în care asigurarea este 100% necesară, interfața centurii complexe de siguranță a dispozitivului autoretractabil poate fi utilizată pentru a monta două dispozitive autoretractabile unul lângă altul pe spatele centurii complexe de siguranță pentru întreg corpul, mai jos de inelul-D dorsal (consultați Figura 9). Pentru a monta două dispozitive autoretractabile pe o centură complexă de siguranță pentru întregul corp, cu interfața centurii complexe de siguranță a dispozitivului autoretractabil:
 1. **Slăbiți sistemul de chingi al centurii complexe de siguranță:** Trageți în afară chingile sistemului de chingi (A) acolo unde trec prin partea inferioară a Inelului-D dorsal (B), până când există suficient spațiu pentru a trage interfața centurii complexe de siguranță a dispozitivului autoretractabil între chingile sistemului de chingi și căptușeala Inelului-D.
 2. **Deschideți interfața centurii complexe de siguranță:** Apăsați simultan în jos butoanele de blocare (C) și scoateți afară știftul de blocare (D).
 3. **Poziționați dispozitivul autoretractabil pe interfața centurii complexe de siguranță:** Introduceți clapeta deschisă de pe interfața centurii complexe de siguranță prin ochiul pivotant de pe dispozitivul autoretractabil (E). Introduceți interfața prin ochiul pivotant, astfel încât dispozitivul autoretractabil să atârne de baza interfeței centurii complexe de siguranță.
 4. **Poziționați interfața centurii complexe de siguranță în jurul chingilor sistemului de chingi:** Poziționați clapeta deschisă a interfeței centurii complexe de siguranță în jurul chingilor desfăcute ale sistemului de chingi (A).
 5. **Închideți interfața centurii complexe de siguranță:** Împingeți știftul opritor al interfeței centurii complexe de siguranță (D) prin chingile desfăcute ale sistemului de chingi (A), până când acesta se blochează la capătul opus al interfeței centurii complexe de siguranță. Trageți chingile sistemului de chingi înapoi prin inelul-D dorsal și prin căptușeala dorsală, pentru a asigura interfața centurii complexe de siguranță.

Banda roșie de pe capătul butonului știftului opritor al interfeței centurii complexe de siguranță va fi expusă dacă interfața centurii complexe de siguranță nu este blocată. Pentru a evita eliberarea accidentală a conexiunii, asigurați-vă întotdeauna că interfața centurii complexe de siguranță este blocată înainte de a utiliza centura complexă de siguranță și dispozitivul autoretractabil atașat. În caz contrar, se pot produce accidente grave sau decese.

- Montarea centurii complexe de siguranță cu inel-D fix pe un dispozitiv autoretractabil dublu:** Vechea centură complexă de siguranță pentru întregul corp tip ExoFit cu un inel-D fix necesită o interfață a centurii complexe de siguranță specială pentru dispozitivul autoretractabil, pentru montarea a două dispozitive autoretractabile pe spatele centurii complexe de siguranță, mai jos de inelul-D dorsal. Pentru a monta două dispozitive autoretractabile pe o centură complexă de siguranță ExoFit pentru întregul corp cu interfața centurii complexe de siguranță cu inel-D fix pentru dispozitivele autoretractabile (Figura 10):
 - Slăbiți sistemul de chingi al centurii complexe de siguranță:** Scoateți chingile sistemului de chingi (A), dacă acestea trec prin partea inferioară a inelului-D dorsal (B), până când există suficient spațiu pentru a introduce interfața centurii complexe de siguranță pentru dispozitivele autoretractabile între chingile sistemului de chingi și căptușeala dorsală.
 - Deschideți interfața centurii complexe de siguranță:** Cu interfața centurii complexe de siguranță pentru dispozitivele autoretractabile orientată după cum este ilustrat, împingeți manșonul de blocare (C) către dreapta și apoi rotiți în sensul acelor de ceasornic pentru a debloca clapeta (D). Trageți clapeta (D) în jos pentru a deschide.
 - Introduceți primul dispozitiv autoretractabil prin interfața centurii complexe de siguranță:** Introduceți vârful conectorului (E) prin ochiul pivotant (F) de pe dispozitivul autoretractabil și apoi rotiți dispozitivul autoretractabil în jurul capătului clapetei conectorului (G). Clapeta poate fi închisă pentru a oferi spațiu ochiului pivotant între clapetă și tija conectorului.
 - Poziționați interfața centurii complexe de siguranță în jurul chingilor sistemului de chingi:** Introduceți vârful conectorului (E) în spatele chingilor sistemului de chingi (A). Rotiți conectorul spre spatele chingilor sistemului de chingi, până când conectorul înconjoară chingile sistemului.
 - Adăugați al doilea dispozitiv autoretractabil la interfața centurii complexe de siguranță:** Trageți ochiul pivotant al dispozitivului autoretractabil (F) peste vârful conectorului (E) și poziționați ochiul pivotant al dispozitivului autoretractabil în capătul vârfului conectorului.
 - Închideți interfața centurii complexe de siguranță:** Permiteți clapetei (D) să se închidă și manșonului de blocare (C) să se rotească înapoi în poziția de blocare. Când interfața centurii complexe de siguranță este închisă, trageți înapoi chingile sistemului de chingi (A) prin inelul-D dorsal pentru a elimina slăbirea chingilor sistemului de chingi și a securiza interfața centurii complexe de siguranță între chingile sistemului de chingi și căptușeala dorsală.
- 3M® DBI-SALA® Carabinieră dublă:** Carabiniera dublă 3M® DBI-SALA® este concepută pentru a monta două dispozitive autoretractabile Nano-Lok unul lângă altul pe spatele unei centuri complexe de siguranță pentru întregul corp, mai jos de inelul-D dorsal (vezi Figura 12). Pentru a monta două dispozitive autoretractabile Nano-Lok pe centura complexă de siguranță pentru întregul corp cu o carabinieră dublă:
 - Slăbiți sistemul de chingi al centurii complexe de siguranță:** Scoateți chingile sistemului (A), dacă trec prin partea inferioară a inelului-D dorsal (B) până când există suficient spațiu pentru a trage interfața bretelei duble între chingile sistemului și căptușeala inelului-D.
 - Deschideți carabiniera dublă:** Împingeți în sus inserția conectorului (C) pentru a desface clemele (D) de pe conector și apoi mișcați inserția conectorului în sus pentru a debloca clapeta. Împingeți clapeta (E) spre interior pentru a deschide conectorul.
 - Introducerea primului dispozitiv autoretractabil în carabiniera dublă:** Introduceți vârful conectorului (F) prin ochiul pivotant (G) de pe dispozitivul autoretractabil și apoi răsuciți dispozitivul autoretractabil în jurul capătului clapetei conectorului (H). Clapeta poate fi rotită spre vârf pentru a oferi spațiu ochiului pivotant între clapetă și tija conectorului.
 - Poziționarea carabinierii duble în jurul chingilor sistemului:** Cu clapeta poziționată cu fața în sus, introduceți vârful conectorului (F) în spatele chingilor sistemului (A). Rotiți conectorul spre spatele chingilor sistemului, până când conectorul înconjoară chingile sistemului.
 - Adăugarea celui de-al doilea dispozitiv autoretractabil Nano-Lok pe carabiniera dublă:** Trageți ochiul pivotant (G) al dispozitivului autoretractabil peste vârful conectorului (F) și poziționați ochiul pivotant al dispozitivului autoretractabil în capătul vârfului conectorului (F). Închideți clapeta (E).
 - Închiderea carabinierii duble:** Rotiți inserția conectorului (C) spre înainte astfel încât clemele (D) să asigure conectorii. Atunci când sunt închise corespunzător, chingile sistemului trebuie să treacă prin fanta sistemului de chingi (J), din partea superioară a inserției conectorului, iar ochiul pivotant al dispozitivului autoretractabil trebuie fixat în cavitațiile (K) de pe ambele părți ale inserției conectorului. Când interfața centurii complexe de siguranță este închisă, trageți chingile sistemului (A) înapoi prin inelul-D dorsal și căptușeala inelului-D, pentru a elimina slăbirea sistemului de chingi și pentru a fixa conectorul între chingile sistemului și căptușeala inelului-D.
- 3M® DBI-SALA® Carabinieră dublă cu știft de siguranță:** Acest accesoriu al centurii complexe de siguranță poate fi utilizat pentru a monta unul sau două sisteme linia vieții Nano-Lok autoretractabile, pentru activitățile de cățărare (consultați Figura 11), acolo unde asigurarea 100% este necesară:
 - Slăbiți sistemul de chingi al centurii complexe de siguranță:** Scoateți chingile sistemului (A), dacă trec prin partea inferioară a inelului-D dorsal (B) până când există suficient spațiu pentru a trage interfața bretelei duble între chingile sistemului și căptușeala inelului-D.
 - Pentru configurația simplă:** Poziționați ochiul pivotant al unui sistem linia vieții simplu, în centrul spațiului liber.
 - Pentru configurația dublă:** Poziționați ochiul pivotant al unui sistem linia vieții în spațiul liber, cât mai aproape de știft și un sistem linia vieții în spațiul liber cât mai departe de știft.
 - Glisați știftul înapoi la poziția sa până când auziți un clic. Știftul trebuie să fie imobilizat în poziția sa.
 - Apăsați simultan cele două butoane de pe partea laterală a centurii complexe de siguranță a conectorului, în timp ce glisați știftul. Glisarea știftului creează un spațiu liber.
 - Slăbiți puțin sistemul de chingi, chiar sub inelul-D dorsal al centurii complexe de siguranță. Poziționați partea laterală a centurii complexe de siguranță a conectorului sub inelul-D.
 - Glisați știftul înapoi la loc, asigurându-vă că știftul rămâne sub ambele rânduri de chingi ale centurii complexe de siguranță, până când auziți un clic. Știftul trebuie să fie imobilizat în poziția sa.

4.0 UTILIZARE

Utilizatorii începători sau utilizatorii ocazionali ai dispozitivelor autoretractabile trebuie să verifice „Informațiile de siguranță” de la începutul acestui manual înainte de utilizarea dispozitivelor autoretractabile.

- 4.1 ÎNAINTE DE FIECARE UTILIZARE:** Înainte de fiecare utilizare a acestui echipament de protecție împotriva căderii, verificați-l cu atenție pentru a vă asigura că se află în condiții optime de utilizare. Verificați dacă există părți uzate sau defecte. Asigurați-vă

că există toate șuruburile și că nu sunt slăbite. Verificați dacă sistemul linia vieții se retrage corespunzător, trăgând linia în afară și permițându-i să se retragă încet. Dacă există orice fel de ezitare la retragere, unitatea trebuie scoasă din uz și distrusă. Verificați dacă sistemele linia vieții prezintă tăieturi, dacă sunt zdrențuite, sparte sau ruginite. Verificați acțiunea de blocare, trăgând brusc de linie. Verificați Jurnalul de inspecție și întreținere (Tabelul 3), pentru detalii legate de inspecție. Nu utilizați sistemul, în cazul în care inspecția indică o situație nesigură.

- 4.2 DUPĂ O CĂDERE:** Orice echipament care a fost supus forțelor de oprire a căderii sau prezintă deteriorări corelate cu efectele forțelor de oprire a căderii descrise în Tabelul 3 trebuie scos din uz imediat și distrus.
- 4.3 SUSȚINEREA CORPULUI:** O centură complexă de siguranță pentru întregul corp trebuie purtată atunci când utilizăm dispozitivele autoretractabile. Pentru utilizarea generală a protecției împotriva căderii, conectați-vă la inelul-D dorsal.
- 4.4 EFECTUAREA CONEXIUNILOR:** Figura 5 ilustrează conexiunile centurii complexe de siguranță și de ancorare pentru sistemele de oprire a căderii a dispozitivelor autoretractabile. Atunci când utilizați un cârlig pentru a efectua conexiunea, asigurați-vă că acesta nu iese din obiectul de prindere (vezi Figura 5). Nu utilizați inele de siguranță sau conectori care nu se vor închide complet peste obiectul de prindere. Nu utilizați inele de fixare care nu se blochează. Sistemul de ancorare trebuie să îndeplinească cerințele de rezistență pentru sistemele de ancorare, descrise în Tabelul 2. Urmați instrucțiunile producătorului furnizate cu fiecare componentă a sistemului.
- 4.5 UTILIZARE:** Înainte de utilizare, verificați dispozitivul autoretractabil, cum este descris în Tabelul 3. Figura 14 arată racordurile de sistem pentru aplicațiile tipice ale dispozitivului autoretractabil. Conectați dispozitivul autoretractabil la un sistem de ancorare corespunzător sau montați dispozitivul autoretractabil pe spatele unei centuri complexe de siguranță pentru întregul corp, conform instrucțiunilor din Secțiunea 3. La dispozitivele autoretractabile conectate la sisteme de ancorare, conectați inelul de siguranță (D) sau carabiniera de pe indicatorul de încărcare, la inelul-D dorsal (A) de pe centura complexă de siguranță pentru întreg corpul. La dispozitivele autoretractabile conectate pe centura complexă de siguranță, conectați inelul de siguranță (D) sau carabiniera la un sistem corespunzător de ancorare. Asigurați-vă că elementele de conectare sunt compatibile ca dimensiune, formă și rezistență. Asigurați-vă că inelele sunt complet închise și blocate. Odată atașat, lucrătorul este liber să se miște în zona de lucru recomandată, cu viteză normală. Dacă are loc căderea, dispozitivul autoretractabil se va bloca și va opri căderea. După operațiunile de salvare, scoateți din uz dispozitivul autoretractabil. Când lucrați cu un dispozitiv autoretractabil, permiteți întotdeauna liniei vieții să facă recul în dispozitiv, sub control.
- 4.6 INTERFAȚĂ DISPOZITIV AUTORETRACTABIL DUBLU CU ASIGURARE 100%:** Când două dispozitive autoretractabile sunt montate unul lângă altul pe spatele centurii complexe de siguranță pentru întregul corp, Sistemul de oprire a căderii al dispozitivului autoretractabil poate fi utilizat pentru protecția continuă împotriva căderii (prindere 100%) în timp ce se urcă, coboară sau se mișcă în lateral (vezi Figura 15). Cu breteaua de coardă a unui dispozitiv autoretractabil fixată la un punct de ancorare, lucrătorul se poate muta într-un alt loc, atașând breteaua de coardă neutilizată a celui alt dispozitiv autoretractabil la un alt punct de ancorare și apoi deconectând de la punctul original de ancorare. Succesiunea pașilor se repetă până când lucrătorul ajunge la locul dorit. Aspectele care trebuie avute în vedere pentru utilizările de prindere 100% a dispozitivelor autoretractabile duble includ următoarele:
- Nu conectați niciodată ambele bretele de coardă ale dispozitivului autoretractabil la același punct de ancorare (consultați Figura 16A).
 - Nu este recomandată conectarea mai multor conectori într-un singur punct de ancorare (inel sau ochi), deoarece se poate pune în pericol compatibilitatea legăturii din cauza interacțiunii dintre conectori.
 - Se acceptă conectarea fiecărei bretele de coardă a dispozitivului autoretractabil la un punct separat de ancorare (Figura 16B).
 - Fiecare punct de legătură trebuie să susțină individual 2,248 livre (10kN) sau să fie un sistem tehnologic, precum o linie a vieții orizontală.
 - Nu conectați niciodată mai multe persoane simultan la un sistem autoretractabil dublu (Figura 16C).
 - Nu permiteți încurcarea sau răsucirea corzilor, deoarece acest lucru poate împiedica retragerea acestora.
 - Nu permiteți trecerea niciunei corzi pe sub brațe sau între picioare în timpul utilizării.
- 4.7 MONTAREA DISPOZITIVULUI AUTORETRACTABIL DUBLU PE INELUL-D DORSAL:** Modelele cu carabinieră cu acțiune triplă pot fi montate pe inelul-D într-o configurație dublă. Pentru a monta două dispozitive autoretractabile pe un inel-D al unei centuri complexe de siguranță (Figura 13):
- 1. Deschideți carabiniera cu acțiune triplă:** cu carabiniera cu acțiune triplă orientată după cum este ilustrat, împingeți manșonul de blocare (C) spre dreapta și apoi rotiți în sensul acelor de ceasornic pentru a debloca clapeta (D). Trageți clapeta (D) în jos pentru a deschide.
 - 2. Introduceți primul dispozitiv autoretractabil în carabiniera cu acțiune triplă:** Introduceți vârful conectorului (E) prin ochiul pivotant (F) de pe dispozitivul autoretractabil și apoi răsuciți dispozitivul autoretractabil în jurul capătului clapetei conectorului (G). Clapeta poate fi închisă pentru a oferi spațiu ochiului pivotant între clapetă și tija conectorului.
 - 3. Adăugarea celui de-al doilea dispozitiv autoretractabil pe carabiniera cu acțiune triplă:** Trageți ochiul pivotant al dispozitivului autoretractabil (F) peste vârful conectorului (E).
 - 4. Introduceți carabiniera cu acțiune triplă prin inelul-D:** Introduceți vârful conectorului (E) prin inelul-D dorsal (A). Rotiți conectorul prin inelul-D până când clapeta poate fi închisă.
 - 5. Închiderea carabinierii cu acțiune triplă:** Permiteți clapetei (D) să se închidă și manșonului de blocare (C) să se rotească înapoi în poziția de blocare.
- 4.8 SISTEMELE ORIZONTALE:** În aplicațiile în care dispozitivele autoretractabile sunt utilizate împreună cu sistemele orizontale (precum linii ale vieții orizontale, cărucior de macara orizontal pentru grindă în I), componentele dispozitivelor autoretractabile și a sistemelor orizontale trebuie să fie compatibile. Sistemele orizontale trebuie să fie proiectate și instalate sub supravegherea unui inginer calificat. Consultați instrucțiunile producătorului de echipamente pentru sistemele orizontale, pentru mai multe detalii.

Valorile intervalului de siguranță la cădere din Figura 4 se bazează pe ancorarea la un punct de ancorare rigid, staționar și nu se aplică ancorării la un sistem de linia vieții orizontal (HLL). Consultați Manualul de instrucțiuni pentru sistemele de linia vieții orizontale (HLL) și Instrucțiunile de instalare a sistemelor de linia vieții orizontale (HLL) pentru a determina intervalele de siguranță la cădere.

5.0 Inspecție

5.1 ETICHETA RFID: Dispozitivele autoretractabile includ o etichetă de Identificare prin frecvență radio [(RFID) Radio Frequency Identification] (consultați Figura 17). Eticheta RFID poate fi folosită împreună cu dispozitivul portabil de citire și cu portalul Web, pentru a simplifica inspecția și controlul inventarului și pentru a ține evidența echipamentului dvs. de protecție la cădere. Pentru detalii, contactați un reprezentant al Serviciului pentru clienți 3M (consultați coperta spate). Respectați instrucțiunile furnizate împreună cu cititorul portabil sau disponibile pe portalul Web, pentru a transfera datele în jurnalul online.

5.2 FRECVENȚA DE INSPECTARE: Dispozitivul autoretractabil trebuie să fie inspectat la intervalele stabilite în Secțiunea 2. Procedurile de inspecție sunt descrise în „Jurnalul de inspecție și întreținere” (Tabelul 3).

Condițiile dificile de lucru (mediu dur de lucru, utilizare îndelungată etc.) pot impune sporirea frecvenței verificărilor (consultați Tabelul 2).

5.3 SIGURANȚĂ DEFICITARĂ SAU DEFECTIUNI: Dacă inspecția arată siguranță deficitară sau defecțiuni, scoateți imediat din uz dispozitivul autoretractabil și distrugeți-l (consultați Secțiunea 6).

Doar 3M sau persoanele autorizate în scris pot efectua reparații la acest echipament.

5.4 DURATA DE UTILIZARE A PRODUSULUI: Durata de funcționare a dispozitivului autoretractabil 3M este determinată de condițiile de lucru și de întreținere. Câtă vreme produsul respectă criteriile de inspecție, acesta poate rămâne în uz (în intervalul duratei maxime de utilizare a produsului). Durata maximă de utilizare a dispozitivului autoretractabil cu sistem de linia ale vieții din material textil nu depășește 10 ani de la data de producție.

6.0 ÎNTREȚINERE, SERVICE și DEPOZITARE

6.1 CURĂȚARE: Procedurile de curățare ale dispozitivului autoretractabil sunt după cum urmează:

- Curățați periodic exteriorul dispozitivului autoretractabil cu soluție din apă și săpun delicat. Poziționați dispozitivul autoretractabil astfel încât apa în exces să se scurgă. Curățați etichetele conform cerințelor.
- Curățați linia vieții cu sistem de chingi cu soluție de apă și săpun delicat. Clătiți și uscați bine la aer. Nu forțați uscarea cu căldură. Linia vieții trebuie să fie uscată înainte de a permite retragerea acesteia în carcasă. Acumularea excesivă de murdărie, vopsea etc. poate împiedica retragerea completă a liniei vieții înapoi în carcasă, provocând un risc potențial de cădere liberă.

6.2 SERVICE: Dispozitivele autoretractabile nu pot fi reparate. În cazul în care dispozitivul autoretractabil a fost supus forței de cădere sau dacă inspecția relevă o condiție nesigură sau un defect, scoateți dispozitivul autoretractabil din funcțiune și distrugeți-l (consultați „Proceduri de eliminare”).

6.3 DEPOZITARE/TRANSPORT: Depozitați și transportați dispozitivele autoretractabile într-un mediu răcoros, uscat și curat, ferit de lumina directă a soarelui. Evitați zonele în care pot exista vapori de substanțe chimice. Inspectați cu atenție dispozitivele autoretractabile după o perioadă prelungită de depozitare.

6.4 PROCEDURI DE ELIMINARE: Eliminați dispozitivul autoretractabil dacă a fost supus forțelor de oprire a căderii sau dacă inspecția relevă siguranță deficitară sau defecțiuni. Înainte de a distruge dispozitivul autoretractabil, tăiați linia vieții în două sau dezactivați în alt mod dispozitivul autoretractabil pentru a elimina posibilitatea de reutilizare întâmplătoare.

7.0 Etichete

Figura 22 ilustrează etichetele de pe dispozitivele autoretractabile și locațiile lor. Toate etichetele trebuie să fie prezente pe dispozitivele autoretractabile. Etichetele trebuie înlocuite dacă nu sunt complet lizibile. Pictogramele de pe etichete sunt definite după cum urmează:

1	Inspectați inelul de siguranță și indicatorul de impact
2	Inspectați acțiunea de blocare a sistemelor de linia vieții autoretractabile
3	Corectați modul de conectare a sistemului de linia vieții autoretractabil la centura complexă de siguranță
4	Nu este certificată marginea ascuțită. Poate fi conectat la un punct de ancorare deasupra, dedesubt sau la nivel cu inelul-D dorsal (140 kg maxim).
5	Intervalul de temperatură pentru utilizare -40°C – +60°C
6	Capacitatea maximă 140 kg
7	Întotdeauna permite liniei vieții să facă recul în sistemul de linie a vieții autoretractabil, sub control
8	Nu reparați
9	Depozitați într-un mediu răcoros, uscat și curat, ferit de lumina directă a soarelui.
10	Nu încărcați peste limită
11	Nu îndepărtați eticheta

Tabelul 3 – Jurnalul de inspecții și întreținere

Număr de serie:		Data achiziționării:	
Număr model:		Data primei utilizări:	
Data inspecției:		Inspectat de:	
Componentă:	Inspecție: (Consultați Secțiunea 2 pentru <i>Frecvența de inspecție</i>)	Aprobat	Respins
Dispozitiv autoretractabil (Figura 18)	Verificați dacă are accesorii de prindere slăbite și componente îndoite sau deteriorate.	<input type="checkbox"/>	<input type="checkbox"/>
	Verificați dacă carcasa (A) este deformată, crăpată sau prezintă alte semne de deteriorare.	<input type="checkbox"/>	<input type="checkbox"/>
	Inspectați dacă pivotul (B) și ochiul pivotant (C) sau conectorul integral (D) prezintă deformări, crăpături sau alte semne de deteriorare. Pivotul trebuie atașat în siguranță la sistemul de linia vieții, dar trebuie să pivoteze liber. Ochiul pivotant sau conectorul integral trebuie să se rotească în mod liber în pivot.	<input type="checkbox"/>	<input type="checkbox"/>
	Linia vieții cu sistem de chingi (E) trebuie să iasă și să se retragă complet fără ezitare și fără a crea o slăbire a liniei (corzii).	<input type="checkbox"/>	<input type="checkbox"/>
	Asigurați-vă că dispozitivul autoretractabil se blochează atunci când linia vieții este trasă brusc. Blocarea trebuie să fie pozitivă și fără alunecare.	<input type="checkbox"/>	<input type="checkbox"/>
	Toate etichetele trebuie să fie prezente și perfect lizibile. (Consultați Figura 20).	<input type="checkbox"/>	<input type="checkbox"/>
	Inspectați întregul dispozitiv autoretractabil pentru semne de rugină.	<input type="checkbox"/>	<input type="checkbox"/>
Conectori finali (Figura 19)	Tabelul 2 identifică conectorii finali care trebuie incluși în modelul dvs. de dispozitive autoretractabile Nano-Lok. Verificați toate inelele de siguranță, carabiniera, cârligele de armătură, interfețele etc. pentru eventuale semne de deteriorare, corodare și pentru starea de funcționare a acestora. Atunci când sunt prezente: Clapetele trebuie să se deschidă, închidă, blocheze și deblocheze corespunzător, iar butoanele de blocare și știfturile de blocare trebuie să funcționeze corect.	<input type="checkbox"/>	<input type="checkbox"/>
Linia vieții cu sistem de chingi (Figura 20)	Inspectați sistemul de chingi; materialul trebuie să nu prezinte tăieturi (A), fibre destrămate (B) sau fibre rupte. Verificați dacă există rupturi, abraziuni, murdărie excesivă (C), mușcături, arsuri (D) sau decolorări. Inspectați cusăturile de siguranță; Verificați dacă există cusături trase sau tăiate. Cusăturile întrerupte pot fi un indiciu că centura complexă de siguranță a fost supusă impactului și trebuie retrasă din serviciu.	<input type="checkbox"/>	<input type="checkbox"/>
Absorbant de șoc (Figura 21)	Verificați că nu a fost activat absorbantul de șoc integrat. Un înveliș deschis sau un înveliș rupt (A), sistemul de chingi tras afară din înveliș, sistemul de chingi rupt sau destrămat (B) și cusăturile de siguranță rupte sunt indicatori ai unui absorbant de șoc activat.	<input type="checkbox"/>	<input type="checkbox"/>
A acțiune corectivă/Întreținere:		Aprobat de:	
		Data:	
A acțiune corectivă/Întreținere:		Aprobat de:	
		Data:	
A acțiune corectivă/Întreținere:		Aprobat de:	
		Data:	
A acțiune corectivă/Întreținere:		Aprobat de:	
		Data:	
A acțiune corectivă/Întreținere:		Aprobat de:	
		Data:	
A acțiune corectivă/Întreținere:		Aprobat de:	
		Data:	
A acțiune corectivă/Întreținere:		Aprobat de:	
		Data:	

Перед использованием данного средства защиты вытягивающего типа (СЗВТ) пользователи должны изучить, понять и соблюдать указания по технике безопасности, содержащиеся в данной инструкции. НЕСОБЛЮДЕНИЕ ИНСТРУКЦИЙ МОЖЕТ ПРИВЕСТИ К СЕРЬЕЗНЫМ ТРАВМАМ ИЛИ СМЕРТИ.

Эти инструкции должны быть предоставлены пользователю оборудования. Сохраните эту инструкцию для дальнейшего использования.

Назначение:

Данное средство защиты вытягивающего типа предназначено для использования в комплекте с системой индивидуальной защиты от падения с высоты.

Любое другое использование, в том числе, помимо прочего, погрузочно-разгрузочные операции, мероприятия, связанные с досугом, связанная со спортом деятельность или другие виды деятельности, не описанные в Инструкциях по эксплуатации, не одобрено компанией ЗМ и может привести к серьезным травмам или летальному исходу.

Данное устройство предназначено для использования лицами, обученными правильному применению этого устройства на рабочем месте.

! ВНИМАНИЕ!

Данное средство защиты вытягивающего типа представляет собой часть системы индивидуальной защиты от падения с высоты. Ожидается, что все пользователи будут полностью обучены безопасной установке и эксплуатации системы индивидуальной защиты от падения с высоты. **Неправильное использование данного устройства может привести к серьезным травмам или летальному исходу.** Для правильного подбора, эксплуатации, монтажа, технического обслуживания и ремонта см. данную Инструкцию по эксплуатации, включающую все рекомендации производителя, также можно обратиться к руководителю или в службу технической поддержки компании ЗМ.

- **Что необходимо делать, чтобы снизить риски, связанные с работой со средствами защиты вытягивающего типа, которые, если их не избежать, могут привести к серьезным травмам или летальному исходу:**
 - Перед каждым использованием проверяйте СЗВТ и проверяйте правильность блокировки и вытягивания.
 - Если при проверке было выявлено, что какие-либо элементы находятся в неисправном состоянии, выведите устройство из эксплуатации и отремонтируйте или замените его в соответствии с Инструкцией по эксплуатации.
 - Если СЗВТ было подвергнуто остановке падения или ударным воздействиям, немедленно прекратите его использование и пометьте устройство как «НЕИСПРАВНОЕ».
 - Убедитесь, что отсутствуют любые препятствия на пути прохождения страховочного стропа, в том числе, помимо прочего, попадание в оборудование или машины (например, верхний привод буровых вышек), переплетение со стропами других работников, со своим стропом, с окружающими предметами, возможность воздействия объектов, находящихся над головой, которые могут упасть на страховочный строп или на работника.
 - Не допускайте провисания страховочного стропа. Не привязывайте страховочный строп и не завязывайте узлы.
 - Присоедините неиспользуемый(-ые) строп(-ы) СЗВТ, закрепленного на привязи, к держателю(-ям) стропа(-ов) привязи, если он(-и) есть.
 - Запрещается использовать при условиях, если на пути падения есть препятствия. Работа на медленно сдвигающемся материале, таком как песок или зерно, или внутри замкнутых или ограниченных пространств, может не позволить работнику достичь достаточной для срабатывания СЗВТ скорости. Для уверенного срабатывания СЗВТ на траектории падения не должно быть препятствий.
 - Избегайте резких или быстрых движений во время нормальной работы. Это может привести к блокировке устройства.
 - Убедитесь в том, что системы/подсистемы защиты от падения с высоты, собранные из компонентов, изготовленных разными производителями, совместимы друг с другом и соответствуют требованиям действующих стандартов, включая ANSI Z359 или другие действующие нормы, стандарты или требования к системам защиты от падения с высоты. Перед использованием данных систем всегда консультируйтесь с компетентным лицом или квалифицированным специалистом.
- **Что необходимо делать, чтобы снизить риски, связанные с работой на высоте, которые, если их не избежать, могут привести к серьезным травмам или летальному исходу:**
 - Убедитесь, что ваше здоровье и физическое состояние позволяют безопасно выдерживать всю нагрузку, связанную с работой на высоте. Проконсультируйтесь со своим врачом, если у вас есть какие-либо вопросы относительно вашей способности использовать данное средство защиты.
 - Никогда не превышайте допустимую нагрузку своего средства защиты от падения с высоты.
 - Никогда не превышайте максимальное расстояние свободного падения своего средства защиты от падения с высоты.
 - Не используйте средство защиты от падения с высоты, если оно не прошло проверку перед использованием или другие плановые проверки, или если у вас есть сомнения относительно использования или пригодности этого средства для конкретного варианта применения. При наличии каких-либо вопросов, обращайтесь в службу технической поддержки компании ЗМ.
 - Некоторые сочетания компонентов и подсистем могут препятствовать нормальной работе оборудования. Используйте только совместимые соединения. Перед использованием этого оборудования вместе с компонентами или подсистемами, не описанными в данной инструкции по эксплуатации, обращайтесь за консультацией в компанию ЗМ.
 - Соблюдайте дополнительные меры предосторожности при работе вблизи движущихся механизмов (например, верхний силовой привод буровых вышек), при опасности поражения электрическим током, при экстремальных температурах, в присутствии опасных химических веществ, взрывчатых или токсичных газов, при наличии острых кромок, или при выполнении работ под материалами, расположенными над головой, которые могут упасть на вас или на ваши средства защиты от падения с высоты.
 - При работе в условиях высоких температур используйте устройства с защитой от электрической дуги или устройства, предназначенные для работы в условиях высоких температур.
 - Избегайте поверхностей и предметов, которые могут нанести вред пользователю или оборудованию.
 - Убедитесь в наличии достаточного запаса высоты при работе на высоте.
 - Никогда не модифицируйте и не вносите изменения в свои средства защиты от падения с высоты. Только компания ЗМ или организации, имеющие письменное разрешение от компании ЗМ, могут производить ремонт этого средства.
 - Перед использованием средств защиты от падения с высоты, убедитесь в наличии плана спасения, который позволяет быстро организовать спасательные работы в случае падения.
 - Если происходит падение, то немедленно организуйте врачебную помощь упавшему работнику.
 - Для остановки падения предохранительные пояса использовать не следует. Используйте только страховочную привязь.
 - Для снижения опасности маятникового эффекта при падении работайте непосредственно под точкой анкерного крепления или как можно ближе к ней.
 - Если это устройство используется с целью обучения, то необходимо использовать вторичную систему защиты от падения с высоты таким образом, чтобы не подвергать стажера непредусмотренной опасности падения.
 - Всегда носите соответствующие средства индивидуальной защиты при установке, эксплуатации или проверке данного устройства/данной системы.

Запишите идентификационную информацию об изделии, указанную на идентификационной этикетке, в «Журнал проверки и обслуживания», который находится в конце данной инструкции по эксплуатации.

ОПИСАНИЕ:

На рисунке 2 показаны основные компоненты средств защиты втягивающего типа (СЗВТ) 3М™ DBI-SALA® Nano-Lok. СЗВТ Nano-Lok представляют собой текстильные стропы с барабанным устройством намотки (А) с интегрированным амортизатором (В), втягивающиеся в нейлоновый корпус (С). Вертлюг (D) на корпусе обеспечивает прикрепление к соответствующей точке анкерного крепления с помощью карабина (Е), или монтаж на страховочной привязи с помощью интерфейсного элемента для крепления к привязи (F). На рисунке 1 изображены имеющиеся модели Nano-Lok и их конфигурации соединительных элементов. Технические характеристики СЗВТ Nano-Lok и соединительных элементов см. таблице 1.

Таблица 1. Технические характеристики

Технические характеристики компонентов:

Корпус СЗВТ	Нейлон
Барабан	Нейлон
Внутренние компоненты	Нержавеющая сталь, алюминий
Текстильный строп	Дупеета полиэстер
Амортизатор	Крышка: Нитриловый каучук, лента. Шивка полиэфирного текстиля: Полиэстеровая или нейлоновая нить
Вертлюг	Оцинкованная сталь

Технические характеристики соединительных элементов:

	Описание	Материал	Раскрытие запорного механизма	Сила затвора	Предел прочности
①	Проушина вертлюга	Сталь	22,35 мм (0,88 дюйма) внутренний диаметр	X	22,2 кН (5000 фунтов)
②	Карабин	Алюминий	19 мм (3/4 дюйма)	16 кН (3600 фунтов)	22,2 кН (5000 фунтов)
③	Карабин	Сталь	19 мм (3/4 дюйма)	16 кН (3600 фунтов)	22,2 кН (5000 фунтов)
④	Интерфейсный элемент для одного СЗВТ	Сталь	51 мм (2 дюйма)	16 кН (3600 фунтов)	22,2 кН (5000 фунтов)
⑤	Интерфейсный элемент для двухплечевого СЗВТ	Сталь с нейлоновой вставкой	19 мм (3/4 дюйма)	16 кН (3600 фунтов)	22,2 кН (5000 фунтов)
⑥	Карабин	Алюминий, сталь	56 мм (2,19 дюйма)	16 кН (3600 фунтов)	22,2 кН (5000 фунтов)
⑦	Карабин	Алюминий	19 мм (3/4 дюйма)	16 кН (3600 фунтов)	22,2 кН (5000 фунтов)
⑧	Крюк-карабин для крепления к арматуре	Алюминий	57 мм (2-1/4 дюйма)	16 кН (3600 фунтов)	22,2 кН (5000 фунтов)
⑨	Крюк-карабин для крепления к арматуре	Алюминий	63 мм (2-1/2 дюйма)	16 кН (3600 фунтов)	22,2 кН (5000 фунтов)
⑩	Карабин	Алюминий	52 мм (2 дюйма)	16 кН (3600 фунтов)	22,2 кН (5000 фунтов)
⑪	Крюк-карабин для крепления к арматуре	Алюминий, сталь	63 мм (2-1/2 дюйма)	16 кН (3600 фунтов)	22,2 кН (5000 фунтов)
⑫	Карабин	Сталь	19 мм (3/4 дюйма)	16 кН (3600 фунтов)	22,2 кН (5000 фунтов)
⑬	Крюк-карабин для крепления к арматуре	Алюминий	57 мм (2-1/4 дюйма)	16 кН (3600 фунтов)	22,2 кН (5000 фунтов)
⑭	Крюк-карабин	Сталь	19 мм (3/4 дюйма)	16 кН (3600 фунтов)	22,2 кН (5000 фунтов)

Рабочие характеристики:

Технические характеристики СЗВТ (вертикальное)	Модели CE	
	Диапазон значений максимального веса пользователя	От 59 кг до 100 кг (от 130 фунтов до 220 фунтов)
Максимальная сила остановки падения	6 кН (1350 фунтов)	6 кН (1350 фунтов)
Средняя сила остановки падения	4 кН (900 фунтов)	4 кН (900 фунтов)
Заявленное максимальное расстояние торможения¹	0,61 м (24 дюйма)	0,61 м (24 дюйма)
Требуемый минимальный запас высоты¹	1,5 м (5 футов)	1,8 м (5,8 футов)
Со свободным падением не более²	1,5 м (5 футов)	1,5 м (5 футов)

1 - Предполагается, что СЗВТ устанавливается непосредственно над (сверху) конечным пользователем.

2 - Измерено от D-образного кольца до рабочей поверхности. Подробные сведения см. в таблице с данными по запасу высоты.

1.0 ПРИМЕНЕНИЕ

- 1.1 НАЗНАЧЕНИЕ:** Средства защиты втягивающего типа (СЗВТ) разработаны в качестве элемента индивидуальной системы предотвращения падений (ИСПП). На рис. 1 показаны модели СЗВТ, к которым относится данная инструкция. Их можно использовать в большинстве случаев, когда необходимо обеспечить одновременно подвижность работника и защиту от падения (т. е. инспекционные работы, строительство, техническое обслуживание, нефтедобыча, работы в ограниченном пространстве и т. п.).
- 1.2 СТАНДАРТЫ:** Ваше устройство СЗВТ соответствует требованиям государственных или региональных стандартов, перечисленных на обложке этой инструкции. Дополнительную информацию об индивидуальных системах защиты от падения с высоты см. в местных, областных и федеральных требованиях, относящихся к охране труда.
- 1.3 ОБУЧЕНИЕ:** Данное оборудование предназначено для использования лицами, обученными правильному применению и использованию данного оборудования. Работодатель должен знакомить лиц, использующих данное оборудование, с инструкциями, и проводить обучение правильному использованию и обслуживанию страховочного оборудования. Пользователь должен также знать рабочие характеристики, пределы применения и последствия неправильного использования снаряжения.
- 1.4 ОГРАНИЧЕНИЯ:** При установке или использовании данного оборудования всегда необходимо соблюдать следующие ограничения:

- **Максимальный вес пользователя:** СЗВТ предназначены для использования лицами общим весом (собственный вес, одежда, инструменты и т. п.), не выходящим за диапазон максимального веса пользователя, указанного в таблице 1. Удостоверьтесь, что номинальный максимальный вес пользователя всех компонентов вашей системы отвечает требованиям, обусловленным вариантом ее применения.
- **Анкерное крепление:** Крепления устройства должны выдерживать нагрузку до 12 кН (2697 фунтов). Анкерные устройства должны соответствовать требованиям EN795 или другим применимым стандартам по анкерным соединителям.
- **Скорость блокировки:** Нужно избегать ситуаций, в которых невозможен беспрепятственный путь падения. При работе в ограниченных или тесных пространствах тело может не достичь достаточной скорости для срабатывания СЗВТ в случае падения. Работа на медленно сдвигающемся материале (например, песок или зерно) может не позволить телу достичь достаточной для срабатывания устройства скорости. Для уверенного срабатывания СЗВТ на траектории падения не должно быть препятствий.
- **Свободное падение:** При присоединении СЗВТ к анкерному креплению сверху, расстояние свободного падения ограничено 0,6 м (2 фута)¹. Чтобы избежать большого расстояния свободного падения, закрепляйте СЗВТ непосредственно над уровнем работы. Не прикрепляйте СЗВТ к анкерной точке, в которой расстояние свободного падения превысит 1,5 м (5 футов). Следует избегать работ в тех местах, где ваш строп может пересечься или запутаться со стропами других работников. Избегайте работы в местах, где возможно падение предметов и их удар о страховочный строп, что приведет к потере равновесия или повреждению строба. Не допускайте попадания строба под руки или между ног во время использования. Не защемляйте строп, не завязывайте его узлами, не препятствуйте его втягиванию и не натягивайте туго. Избегайте образования провисания. **Запрещается удлинять СЗВТ за счет присоединения стропов или других компонентов, не проконсультировавшись с компанией ЗМ.**
- **Маятниковый эффект при падении:** Маятниковый эффект при падении возникает в случае, когда точка анкерного крепления не находится строго над местом падения. Удар о предмет при падении с маятниковым движением может привести к серьезным травмам (см. рис. 3А). Для снижения опасности маятникового эффекта при падении работайте непосредственно под точкой анкерного крепления или как можно ближе к ней (рис. 3В). При выполнении работ далеко от анкерных креплений (рис. 3С) возрастает опасность маятникового эффекта при падении и требуемый запас высоты (FC).
- **Запас высоты:** На рисунке 3В показан расчет запаса высоты. Запас высоты (FC) представляет собой сумму расстояния свободного падения (FF), расстояния торможения (DD) и свободного пространства под работником после остановки падения (SF): $FC = FF + DD + SF$. Скольжение D-образного кольца и эластичность привязи включены в свободное пространство под работником после остановки падения. Вычисленные значения запаса высоты представлены на рисунке 4. Для всех значений на рис. 4 использовано свободное пространство под работником после остановки падения 1 м (3,28 фута).

На рис. 4 показан запас высоты (FC) на основе горизонтального (H) и вертикального (V) расстояния между спинным соединением СЗВТ и точкой анкерного крепления. Каждая горизонтальная линия сетки на графиках представляет вертикальное расстояние от точки анкерного крепления. Каждая вертикальная линия сетки на графиках представляет горизонтальное расстояние от точки анкерного крепления. Значение зазора падения (FC) определяется зоной (параболическими линиями), в которой пересекаются горизонтальные (H) и вертикальные (V) линии сетки. На рисунке 4 показан пример определения требуемого значения запаса высоты (FC) для указанных вертикальных (V) и горизонтальных (H) расстояний.

Изменяемые точки крепления: Значения запаса высоты на рис. 4 основаны на жесткой, стационарной анкерной точке. В случае крепления к горизонтальной анкерной линии (ГАЛ) или анкерной точке, которые могут перемещаться, сдвигаться или деформироваться при падении, значения запаса высоты из рис. 4 не применяются. Дополнительные сведения по требуемым значениям запаса высоты, провисанию и/или деформации см. инструкции к ГАЛ или анкерному креплению.

Работа на коленях или в положении сидя: Графики запаса высоты на рис. 4 составлены для рабочего в положении стоя. Если рабочий стоит на коленях или приседает, запас высоты необходимо увеличить на 0,9 м (3 фута).

Ни в коем случае не устанавливайте крепление ниже ступней: Ни в коем случае не подсоединяйтесь к анкерному креплению ниже ступней.

- **Опасные условия.** При использовании данного снаряжения в присутствии вредных факторов окружающей среды следует принять дополнительные меры предосторожности во избежание производственного травматизма и порчи снаряжения. Опасные среды могут включать в себя, помимо прочего: высокую температуру, едкие химикаты, коррозионные среды, высоковольтные линии, взрывчатые или токсичные газы, движущиеся механизмы или высоко расположенные материалы, которые могут упасть и задеть пользователя или страховочную систему. Следует избегать работ в тех местах, где строп может пересечься или запутаться со стропами других работников. Избегайте работы в местах, где возможно падение предметов и их удар о страховочный строп, что приведет к потере равновесия или повреждению строба. Не допускайте попадания строба под руки или между ног во время использования.
- **Острые края:** Острые края, которых может касаться страховочный строп СЗВТ во время падения, должны иметь минимальный радиус 0,3 см (0,125 дюйма). Если соприкосновение с острым краем неизбежно, его необходимо укрыть защитным материалом.

2.0 Эксплуатация системы

1 Свободное падение: При надлежащем применении СЗВТ исключается риск свободного падения, когда пользователь выполняет работы непосредственно под точкой анкерного крепления, при этом строп не должен провисать. Допустимые места крепления показаны на рис. 4.

- 2.1 ПЛАН ЗАЩИТЫ ОТ ПАДЕНИЯ С ВЫСОТЫ И СПАСЕНИЯ:** Работодатель должен иметь план защиты от падения с высоты и спасения. Этот план должен содержать руководящие принципы и требования к управляемому работодателем программы защиты от падения, включая политику, обязанности и обучение; процедуры защиты от падения; устранение и контроль опасностей падения; спасательные процедуры; расследование инцидентов; и оценку эффективности программы.
- 2.2 ПЕРИОДИЧНОСТЬ ПРОВЕРКИ:** Проверка СЗВТ должна проводиться уполномоченным лицом¹ или спасателем² перед каждым использованием (см. таблицу 3). Кроме того, не реже раза в год должны проводиться проверки. Специалист, производящий проверку, и рабочий, использующий оборудование,³ не должны быть одним и тем же лицом. Предельные рабочие условия (жесткие условия окружающей среды, длительное использование и т. п.) могут потребовать более частого проведения проверок квалифицированным специалистом. Компетентное лицо должно использовать *График проверок (таблица 2)* для определения соответствующих интервалов проверок. Порядок проверки изложен в *«Журнале проверки и обслуживания» (таблица 3)*. Результаты проверки снаряжения компетентным лицом заносятся в *«Журнал проверки и обслуживания»* или фиксируются с помощью системы радиочастотной идентификации (см. *раздел 5*).
- 2.3 РАБОТА В НОРМАЛЬНОМ РЕЖИМЕ:** При нормальной работе рабочий двигается с обычной скоростью в диапазоне длины стропы; при движении строп полностью вытягивается без провисания. При падении включается система торможения, срабатывающая в зависимости от скорости, падение останавливается, и значительная часть возникшей энергии поглощается. При нормальной работе следует избегать резких или быстрых движений, поскольку они могут привести к блокировке СЗВТ. На случай падения при полностью или почти полностью вытянутом стропе предусмотрена резервная страховочная система или амортизатор, которые обеспечивают остановку падения с меньшим усилием.
- 2.4 ПОДДЕРЖКА ТЕЛА:** Вместе со средством защиты вытягивающего типа необходимо использовать страховочную привязь. Точка крепления на страховочной привязи должна находиться выше центра тяжести пользователя. Запрещается использовать предохранительный пояс вместе со средством защиты вытягивающего типа. Падение с надетым предохранительным поясом может привести к травмам в результате неправильной поддержки тела.
- 2.5 СОВМЕСТИМОСТЬ КОМПОНЕНТОВ:** Если не указано иное, оборудование компании ЗМ предназначено только для использования с компонентами и вспомогательными системами, одобренными компанией ЗМ. Замены с использованием непроверенных компонентов или подсистем могут подвергать риску совместимость оборудования и влиять на безопасность и надежность системы в целом.
- 2.6 СОВМЕСТИМОСТЬ СОЕДИНИТЕЛЬНЫХ ЭЛЕМЕНТОВ:** Соединительные элементы считаются совместимыми с соединяемыми элементами, если все они предназначены для совместной работы таким образом, что их размеры и формы не вызывают случайного открытия их запирающих механизмов независимо от их положения. При наличии вопросов о совместимости обращайтесь в компанию ЗМ. Соединительные элементы (крюки, карабины и D-образные кольца) должны выдерживать нагрузку не менее 22,2 кН (5000 фунтов). Соединительные элементы должны быть совместимы с креплением или другими компонентами системы. Не используйте несовместимое оборудование. Несовместимые соединительные элементы могут случайно отсоединиться (см. рис. 5). Соединительные элементы должны быть совместимыми по размеру, форме и усилию. Необходимо использовать самозапирающиеся крюки-карабины и карабины. Если соединительный элемент, к которому прикреплен крюк-карабин или карабин, имеет малый размер или неправильную форму, может возникнуть ситуация, когда усилие от соединительного элемента будет приложено к затвору крюка-карабина или карабина (А). Это усилие может привести к открытию затвора (В), в результате чего крюк-карабин или карабин может отсоединиться от точки соединения (С).
- 2.7 ВЫПОЛНЕНИЕ СОЕДИНЕНИЙ:** Со средствами защиты можно использовать только самозапирающиеся крюки-карабины и карабины. Убедитесь, что все соединения совместимы по размеру, форме и усилию. Не используйте несовместимое оборудование. Убедитесь, что все соединительные элементы полностью совместимы, закрыты и заблокированы. Поставляемые компанией ЗМ соединительные элементы (крюки-карабины и карабины) предназначены для применения только в соответствии с инструкциями по эксплуатации каждого изделия. Недопустимые варианты соединений показаны на рис. 6.

Крюки-карабины и карабины не следует соединять:

- С D-образным кольцом, к которому присоединен другой соединительный элемент.
- Таким образом, чтобы создавать нагрузку на затвор. Крюки-карабины большого размера не следует соединять с D-образными кольцами стандартного размера и аналогичными элементами, в случае прокручивания или поворота крюка или кольца это приведет к возникновению нагрузки на затвор. Исключение составляют крюки-карабины, способные выдерживать нагрузку в 16 кН (3600 фунтов).
- При «ложной» фиксации, когда размер или форма сопрягаемых соединительных элементов несовместимы, и на первый взгляд кажется, что они нормально зафиксированы.
- Друг с другом.
- Непосредственно к ленточному или веревочному стропу или чокерным подсоединением (если в инструкции производителя не указана явно допустимость такого соединения).
- С любым предметом, который имеет такую форму или размер, что крюк-карабин или карабин не закроется и не заблокируется, или может произойти открытие.
- Таким способом, который препятствует правильному ориентированию соединительного элемента под нагрузкой.

Таблица 2. График проверок

Характер эксплуатации	Примеры применения	Условия эксплуатации	Периодичность проверок
			Компетентное лицо
Редко	Аварийные работы в помещениях, гарантийное обслуживание	Хорошие условия хранения, использование в помещении или редкие наружные работы, комнатная температура, чистая окружающая среда.	Ежегодно
Средней интенсивности	Перевозка, жилищное строительство, коммунальные предприятия, склады	Соответствующие условия хранения, использование в помещениях, наружные работы, все возможные температуры, чистая или запыленная среда	Два или один раз в год
Активно или непрерывно	Промышленное строительство, нефть и газ, добыча	Неблагоприятные условия хранения, длительное или непрерывное использование для наружных работ, все возможные температуры, загрязненная среда	Ежеквартально или два раза в год

1 Уполномоченное лицо: лицо, назначенное работодателем для выполнения обязанностей на месте, где существует опасность падения.

2 Спасатель: лицо или лица (не включая объект спасения), выполняющие спасательную операцию с помощью спасательной системы.

3 Компетентное лицо: Человек, назначенный работодателем в качестве ответственного за непосредственный надзор, реализацию и контроль управляемой работодателем программы страховки. Его образование и знания позволяют идентифицировать, оценивать и устранять существующие и возможные угрозы падения, а предоставленные работодателем полномочия дают возможность предпринимать надлежащие корректирующие действия по отношению к таким угрозам.

3.0 Установка

- 3.1 ПЛАНИРОВАНИЕ:** До начала работ планируйте систему защиты от падения с высоты. Учитывайте факторы, которые могут влиять на безопасность до, во время и после падения. Учитывайте все системные требования и ограничения, приведенные в разделе 2.

При большинстве вариантов использования СЗВТ Nano-Lok может присоединяться к анкерному креплению или наспинному креплению на привязи. Строп может устанавливаться любым концом, за исключением случая, описанного в разделе 4

- 3.2 МЕСТО АНКЕРНОГО КРЕПЛЕНИЯ:** На рис. 7 показаны стандартные варианты анкерных креплений СЗВТ. Выберите место анкерного крепления, максимально снижающее опасность при свободном падении и опасность падения с маятниковым движением (см. раздел 1). Выберите место для жесткого анкерного крепления, способное выдерживать статические нагрузки, приведенные в разделе 1. Если организовать анкерное крепление над головой невозможно, СЗВТ Nano-Lok можно закрепить на анкерном креплении, расположенном ниже уровня спинного D-образного кольца пользователя. Для пользователей массой до 140 кг (310 фунтов) точка анкерного крепления не должна находиться более чем на 1,5 м (5 футов) ниже спинного D-образного кольца.

- 3.3 КРЕПЛЕНИЕ К ПРИВЯЗИ:** Некоторые модели СЗВТ Nano-Lok включают интерфейсный элемент привязи, предназначенный для подсоединения к страховочной привязи для одного или двух СЗВТ непосредственно под спинное D-образное кольцо:

Некоторые страховочные привязи снабжены приспособлением-адаптером для подсоединения персональных СЗВТ (адаптер СЗВТ), который соединяет спинное D-образное кольцо с элементами для присоединения средств защиты втягивающего типа, закрепляемых на привязи (рис. 8). Можно также присоединять СЗВТ к спинному D-образному кольцу привязи с помощью карабина или крюка-карабина.

- **Крепление к привязи одного СЗВТ:** Если подвижность рабочего имеет критическое значение, можно использовать интерфейсный элемент для крепления к привязи на СЗВТ для крепления СЗВТ на задней части страховочной привязи сразу под спинным D-образным кольцом (см. рис. 9). После этого рабочий может присоединяться к различным анкерным креплениям, расположенным в разных местах рабочей площадки, с помощью конца стропа СЗВТ, не переустанавливая постоянно СЗВТ. Для прикрепления СЗВТ к страховочной привязи с интерфейсным элементом для крепления к привязи СЗВТ:
 1. **Ослабьте лямки привязи:** Потяните за тканые лямки (А) в месте, где они проходят через нижнюю часть спинного D-образного кольца крепления (В) так, чтобы обеспечить достаточное пространство для смещения интерфейсного элемента для крепления к привязи СЗВТ между ткаными лямками и подушкой D-образного кольца.
 2. **Откройте интерфейсный элемент для крепления к привязи:** Одновременно нажмите на кнопки блокировки (С) и выдвиньте стержень блокировки (D) наружу.
 3. **Расположите второе СЗВТ на интерфейсном элементе для крепления к привязи:** Вставьте открытый затвор на интерфейсном элементе для крепления к привязи через проушину вертлюга на СЗВТ (Е). Наверните интерфейсный элемент через проушины вертлюга, чтобы СЗВТ свисало сзади интерфейсного элемента для крепления к привязи (F).
 4. **Расположите интерфейсный элемент для крепления к привязи вокруг тканевых лямок:** Расположите открытый затвор интерфейсного элемента для крепления к привязи вокруг тканевых лямок (А).
 5. **Закройте интерфейсный элемент для крепления к привязи:** Протолкните стержень блокировки интерфейсного элемента для крепления к привязи (D) через ослабленные тканевые лямки (А), пока он не зафиксируется на противоположном конце интерфейсного элемента для крепления к привязи. Потяните тканевые лямки назад через спинное D-образное кольцо и наспинную подушку, чтобы закрепить интерфейсный элемент для крепления к привязи.

Красная полоса на рукоятке стержня блокировки интерфейсного элемента для крепления к привязи будет видна, если интерфейсный элемент для крепления к привязи разблокирован. Чтобы предотвратить случайное отсоединение, обязательно блокируйте интерфейсный элемент для крепления к привязи перед использованием привязи и присоединенного СЗВТ. Несоблюдение этого требования может привести к травме или смерти.

- **Крепление к привязи двухплечевого СЗВТ:** При высотных работах, когда требуется 100%-ое дублирование крепления, можно использовать интерфейсный элемент привязи для крепления двух СЗВТ рядом на задней части страховочной привязи сразу под спинным D-образным кольцом крепления (см. рис. 9). Для прикрепления двух СЗВТ к страховочной привязи с помощью интерфейсного элемента для крепления к привязи СЗВТ:
 1. **Ослабьте лямки привязи:** Потяните за тканые лямки (А) в месте, где они проходят через нижнюю часть спинного D-образного кольца крепления (В) так, чтобы обеспечить достаточное пространство для смещения интерфейсного элемента для крепления к привязи СЗВТ между ткаными лямками и подушкой D-образного кольца.
 2. **Откройте интерфейсный элемент для крепления к привязи:** Одновременно нажмите на кнопки блокировки (С) и выдвиньте стержень блокировки (D) наружу.
 3. **Расположите СЗВТ на интерфейсном элементе для крепления к привязи:** Вставьте открытый затвор на интерфейсном элементе для крепления к привязи через проушину вертлюга на каждом СЗВТ. Наверните интерфейсный элемент через проушины вертлюга, чтобы СЗВТ свисали сзади интерфейсного элемента для крепления к привязи (F).
 4. **Расположите интерфейсный элемент для крепления к привязи вокруг тканевых лямок:** Расположите открытый затвор интерфейсного элемента для крепления к привязи вокруг тканевых лямок (А).
 5. **Закройте интерфейсный элемент для крепления к привязи:** Протолкните стержень блокировки интерфейсного элемента для крепления к привязи (D) через ослабленные тканевые лямки (А), пока он не зафиксируется на противоположном конце интерфейсного элемента для крепления к привязи. Потяните лямки назад через спинное D-образное кольцо и наспинную подушку, чтобы закрепить интерфейсный элемент для крепления к привязи.

Красная полоса на рукоятке стержня блокировки интерфейсного элемента для крепления к привязи будет видна, если интерфейсный элемент для крепления к привязи разблокирован. Чтобы предотвратить случайное отсоединение, обязательно блокируйте интерфейсный элемент для крепления к привязи перед использованием привязи и присоединенного СЗВТ. Несоблюдение этого требования может привести к травме или смерти.

- **Крепление к привязи с неподвижным D-образным кольцом двухплечевого СЗВТ:** Старые страховочные привязи ExoFit с неподвижным D-образным кольцом требуют использования специального интерфейсного элемента для крепления к привязи для присоединения двух СЗВТ к задней части привязи сразу под D-образным кольцом. Для прикрепления двух СЗВТ к страховочной привязи ExoFit с неподвижным D-образным кольцом и интерфейсным элементом для крепления к привязи (рис. 10):
 1. **Ослабьте лямки привязи:** Потяните за тканевые лямки (А) в месте, где они проходят через нижнюю часть спинного D-образного кольца (В), так, чтобы обеспечить достаточное пространство для интерфейсного элемента для крепления к привязи СЗВТ между лямками и спинной подушкой.
 2. **Откройте интерфейсный элемент для крепления к привязи:** Расположив интерфейсный элемент для крепления к привязи СЗВТ, сдвиньте стопорную втулку (С) вправо, а затем поверните по часовой стрелке, чтобы разблокировать затвор (D). Отведите затвор (D) вниз, чтобы открыть его.
 3. **Наверните первое СЗВТ на интерфейсный элемент для крепления к привязи:** Вставьте выступ соединительного элемента (Е) в проушину вертлюга (F) на СЗВТ, а затем поверните СЗВТ вокруг конца затвора соединительного элемента (G). Затвор можно закрыть, чтобы обеспечить зазор для проушины вертлюга между затвором и центральным стержнем соединительного элемента.
 4. **Расположите интерфейсный элемент для крепления к привязи вокруг тканевых лямок:** Вставьте выступ соединительного элемента (Е) за тканевые лямки (А). Поверните соединительный элемент за тканевыми лямками так, чтобы он прошел вокруг них.
 5. **Добавьте второе СЗВТ на интерфейсный элемент для крепления к привязи:** Проведите вертлюг СЗВТ (F) над выступом соединительного элемента (Е) и расположите проушину вертлюга СЗВТ в кончике выступа соединительного элемента.
 6. **Закройте интерфейсный элемент для крепления к привязи:** Дайте затвору (D) вернуться в закрытое положение, а стопорной втулке (С) — повернуться в положение блокировки. После того как интерфейсный элемент для крепления к привязи будет закрыт, вытяните тканевые лямки (А) обратно через спинное D-образное кольцо, чтобы убрать слабинку в тканевых элементах, и закрепите интерфейсный элемент для крепления к привязи между тканевыми лямками и спинной подушкой.
- **Двойной карабин 3М® DBI-SALA®:** Двойной карабин 3М® DBI-SALA® предназначен для установки двух СЗВТ Nano-Lok рядом друг с другом на задней части страховочной привязи чуть ниже спинного D-образного кольца. (см. рис. 12). Для установки двух СЗВТ Nano-Lok на страховочной привязи с помощью двойного карабина:
 1. **Ослабьте лямки привязи:** Потяните за тканевые лямки (А) в месте, где они проходят через нижнюю часть спинного D-образного кольца (В) так, чтобы обеспечить достаточное пространство для смещения интерфейсного элемента с двумя опорами между тканевыми лямками и подушкой D-образного кольца.
 2. **Откройте двойной карабин:** Нажмите на вставку соединительного элемента (С), чтобы отсоединить зажимы (D) от соединительного элемента, а затем поверните вставку вверх, чтобы разблокировать затвор. Нажмите на затвор (Е) внутрь, чтобы открыть соединительный элемент.
 3. **Наверните первое СЗВТ Nano-Lok на двойной карабин:** Вставьте выступ соединительного элемента (F) в проушину вертлюга (G) на СЗВТ, а затем поверните СЗВТ вокруг конца затвора соединительного элемента (H). Затвор можно повернуть в сторону выступа, чтобы обеспечить зазор для проушины вертлюга между затвором и центральным стержнем соединительного элемента.
 4. **Расположите двойной карабин вокруг тканевых лямок:** Когда затвор обращен вверх, вставьте выступ соединительного элемента (F) за лямки (А). Поверните соединительный элемент за тканевыми лямками так, чтобы он прошел вокруг них.
 5. **Прикрепите второе СЗВТ Nano-Lok на двойной карабин:** Надвиньте вертлюг СЗВТ (G) на выступ соединительного элемента (F) и расположите проушину вертлюга СЗВТ в кончике выступа соединительного элемента (F). Поверните затвор (Е), чтобы закрыть его.
 6. **Закройте двойной карабин:** Поверните вставку соединительного элемента (С) вперед, чтобы зажимы (D) зафиксировались на соединительном элементе. Если соединительный элемент правильно закрыт, тканевые лямки должны проходить через паз для лямок (J) в верхней части вставки соединительного элемента, а вертлюги СЗВТ должны быть зафиксированы в углублениях (K) на каждой стороне вставки соединительного элемента. После того как интерфейсный элемент для крепления к привязи будет закрыт, вытяните тканевые лямки (А) обратно через спинное D-образное кольцо и подушку D-образного кольца, чтобы убрать слабинку в тканевых элементах, и закрепите соединительный элемент между тканевыми лямками и подушкой D-образного кольца.
- **Карабин с двумя стержнями 3М® DBI-SALA®:** Это крепление привязи можно использовать для закрепления одного или двух СЗВТ Nano-Lok при подъеме (см. рис. 11), когда требуется 100%-ое непрерывное подсоединение:
 1. **Ослабьте лямки привязи:** Потяните за тканевые лямки (А) в месте, где они проходят через нижнюю часть спинного D-образного кольца (В) так, чтобы обеспечить достаточное пространство для смещения интерфейсного элемента с двумя опорами между тканевыми лямками и подушкой D-образного кольца.
 2. **Для конфигурации с одним СЗВТ:** Разместите ушко вертлюга одного СЗВТ в центральное открытое место.
 3. **Для конфигурации с двумя СЗВТ:** Разместите ушко вертлюга одного СЗВТ в открытом месте как можно ближе к штифту, и другого СЗВТ в открытом месте как можно дальше от штифта.
 4. Переместите штифт на место до щелчка. Штифт должен быть плотно зафиксирован на месте.
 5. Одновременно нажмите две кнопки сбоку привязи соединительного элемента, при этом выдвигая штифт. При выдвигании штифта образуется открытое пространство.
 6. Подтяните небольшую слабинку в тканевых элементах непосредственно под спинным D-образным кольцом на вашей привязи. Разместите боковую сторону привязи соединительного элемента под D-образным кольцом.
 7. Переместите штифт на место до щелчка и убедитесь, что он находится под обоими слоями лямки привязи. Штифт должен быть плотно зафиксирован на месте.

4.0 РАБОТА С ИЗДЕЛИЕМ

Если вы впервые или редко используете средства защиты втягивающего типа (СЗВТ), прочитайте раздел «Информация по технике безопасности» в начале этой инструкции перед началом эксплуатации СЗВТ.

- 4.1 ПЕРЕД КАЖДЫМ ИСПОЛЬЗОВАНИЕМ:** Перед каждым использованием средства защиты от падения с высоты его необходимо тщательно проверить и убедиться, что оно в рабочем состоянии. Убедитесь в отсутствии изношенных или поврежденных частей. Убедитесь в наличии всех крепежных элементов и надежности их крепления. Убедитесь, что строп должным образом втягивается. Для этого вытяните строп и дайте ему медленно втянуться. Если втягивание происходит с какими-либо затруднениями, изделие следует изъять из эксплуатации и утилизировать. Убедитесь в отсутствии на стропе следов порезов, истирания, прожога, тепловых повреждений или коррозии. Проверьте срабатывание блокировки, резко натягивая строп. Порядок проверки изложен в «Журнале проверки и обслуживания» (см. таблицу 3). Не используйте средство защиты, если при проверке выявлено его небезопасное состояние.
- 4.2 ПОСЛЕ ПАДЕНИЯ:** Любое средство защиты, подвергшееся воздействию сил, возникающих при остановке падения, или имеющее повреждения, связанные с воздействием сил остановки падения, как указано в таблице 3, должно быть немедленно выведено из эксплуатации и утилизировано.
- 4.3 ПОДДЕРЖКА ТЕЛА:** При использовании СЗВТ необходимо надевать страховочную привязь. Для использования с целью общей защиты от падения с высоты соединяйте с спинным (задним) D-образным кольцом.
- 4.4 ВЫПОЛНЕНИЕ СОЕДИНЕНИЙ:** На рис. 5 показаны соединения привязи и соединительных элементов страховочных систем с СЗВТ. Используя для выполнения соединений крюк-карабин, следует обеспечить невозможность выпадения (см. рис. 5). Не используйте крюки-карабины или соединительные элементы, которые не закрываются полностью на элементе крепления. Не используйте незапирающиеся крюки-карабины. Место крепления должно выдерживать нагрузки, указанные в таблице 2. Всегда следуйте инструкциям производителя, поставляемым с каждым компонентом системы.
- 4.5 РАБОТА С ИЗДЕЛИЕМ:** Перед эксплуатацией проверьте состояние СЗВТ, как описано в таблице 3. На рис. 14 показаны соединения системы для стандартных вариантов использования СЗВТ. Присоедините СЗВТ Nano-Lok к подходящему анкерному креплению или закрепите СЗВТ на задней части страховочной привязи в соответствии с указаниями раздела 3. Если СЗВТ присоединено к анкерному креплению, присоедините крюк-карабин (D) или карабин на индикаторе нагрузки к спинному D-образному кольцу (A) на страховочной привязи. Если СЗВТ присоединено к страховочной привязи, присоедините крюк-карабин (D) или карабин к подходящему анкерному креплению. Убедитесь, что соединители совместимы по размеру, форме и усилию. Убедитесь в полном закрытии и запирании крюков-карабинов. После присоединения рабочий может передвигаться в пределах рекомендованной рабочей области с нормальной скоростью. В случае падения СЗВТ заблокируется и остановит падение. После завершения операции спасения выведите СЗВТ из эксплуатации. При работе с СЗВТ необходимо следить, чтобы обеспечивалось контролируемое втягивание стропа в устройство.
- 4.6 ДВУХПЛЕЧЕВОЕ 100% НЕПРЕРЫВНОЕ ПОДСОЕДИНЕНИЕ СЗВТ:** Когда два СЗВТ устанавливаются рядом на задней части страховочной привязи, страховочная система с СЗВТ может использоваться для непрерывной защиты от падения (100% непрерывное подсоединение) при подъеме, спуске или боковом перемещении (см. рис. 15). Когда строп одного СЗВТ присоединен к анкерному креплению, рабочий может переместиться в новое место, присоединить свободный строп другого СЗВТ к другому анкерному креплению, а затем отсоединиться от первоначального крепления. Эти действия можно повторять до тех пор, пока рабочий не окажется в нужном месте. Необходимо соблюдать следующие рекомендации по использованию 100% непрерывного подсоединения двухплечевого СЗВТ:
- Никогда не присоединяйте оба стропа СЗВТ к одному и тому же анкерному креплению (см. рис. 16A).
 - Не рекомендуется присоединять несколько соединительных элементов к одному анкерному креплению (кольцу или проушине), поскольку это может отрицательно сказаться на совместимости соединения из-за взаимного влияния соединительных элементов.
 - Разрешается присоединять стропа каждого СЗВТ к разным анкерным креплениям (рис. 16B).
 - Каждое крепление должно независимо выдерживать нагрузку 10 кН (2248 фунтов) или представлять собой разработанную систему (например, горизонтальную анкерную линию).
 - Запрещается присоединять к двухплечевому СЗВТ более одного человека одновременно (рис. 16C).
 - Не допускайте перекручивания или спутывания стропов, поскольку это может помешать их втягиванию.
 - Не допускайте попадания стропа под руки или между ног во время использования.
- 4.7 УСТАНОВКА СПИННОГО D-ОБРАЗНОГО КОЛЬЦА ДВУХПЛЕЧЕВОГО СЗВТ:** Модели с карабином тройного действия могут прикрепляться к спинному D-образному кольцу в конфигурации с двумя СЗВТ. Для прикрепления двух СЗВТ на спинном D-образном кольце привязи (рис. 13):
- 1. Откройте карабин тройного действия:** При этом он должен располагаться так, как показано на рисунке, сместите стопорную втулку (C) вправо и поверните ее по часовой стрелке для разблокировки затвора (D). Отведите затвор (D) вниз, чтобы открыть его.
 - 2. Наверните первое СЗВТ на карабин тройного действия:** Вставьте выступ соединительного элемента (E) в проушину вертлюга (F) на СЗВТ, а затем поверните СЗВТ вокруг конца затвора соединительного элемента (G). Затвор можно закрыть, чтобы обеспечить зазор для проушины вертлюга между затвором и центральным стержнем соединительного элемента.
 - 3. Прикрепите второе СЗВТ на карабин тройного действия:** Сместите проушину вертлюга СЗВТ (F) на выступ соединительного элемента (E).
 - 4. Наверните карабин тройного действия через D-образное кольцо:** Вставьте выступ соединительного элемента (E) через спинное D-образное кольцо (A). Проворачивайте соединительный элемент через D-образное кольцо, пока не появится возможность закрыть затвор.
 - 5. Закройте карабин тройного действия:** Дайте затвору (D) вернуться в закрытое положение, а стопорной втулке (C) — повернуться в положение блокировки.
- 4.8 ГОРИЗОНТАЛЬНЫЕ СИСТЕМЫ:** При применении СЗВТ совместно с горизонтальной системой (т. е. горизонтальная анкерная линия, балочная вагонетка горизонтальной анкерной системы) СЗВТ и компоненты горизонтальной системы должны быть совместимы. Горизонтальные системы должны быть спроектированы и установлены под наблюдением квалифицированного инженера. Подробную информацию см. в инструкциях производителя горизонтальной системы.

Значения запаса высоты (рис. 4) основаны на креплении к жесткой, стационарной точке анкерного крепления и не применяются для крепления к горизонтальной анкерной линии (ГАЛ). Для определения требуемых значений запаса высоты см. инструкцию по эксплуатации ГАЛ.

5.0 Проверка

5.1 RFID-МЕТКА: Средство защиты втягивающего типа включает в себя метку радиочастотной идентификации (RFID) (см. рис. 17.) RFID-метку можно использовать вместе с ручным считывающим устройством и находящимся в Интернете порталом для упрощения процедуры проверки и инвентаризации и обеспечения регистрационных записей для вашего средства защиты от падения с высоты. Для получения подробной информации обратитесь к представителю Службы работы с клиентами компании ЗМ (см. контактные данные в конце данной инструкции). Следуйте инструкциям, предоставленным вместе с ручным считывающим устройством, или войдите в веб-портал для загрузки данных в ваш веб-журнал.

5.2 ПЕРИОДИЧНОСТЬ ПРОВЕРКИ: Средство защиты втягивающего типа необходимо проверять с периодичностью, указанной в разделе 2. Порядок проверки изложен в «Журнале проверки и обслуживания» (таблица 3).

Предельные рабочие условия (жесткие условия окружающей среды, длительное использование и т. д.) могут потребовать более частого проведения проверок (см. таблицу 2).

5.3 НЕБЕЗОПАСНОЕ ИЛИ НЕИСПРАВНОЕ СОСТОЯНИЕ: Если в ходе проверки выявлено небезопасное или неисправное состояние, немедленно выведите СЗВТ из эксплуатации и утилизируйте (см. раздел 6).

Ремонт этого изделия могут осуществлять только компания ЗМ или организации, имеющие письменное разрешение.

5.4 СРОК СЛУЖБЫ ИЗДЕЛИЯ: Срок службы средств защиты втягивающего типа производства компании ЗМ определяется условиями работы и качеством технического обслуживания. Изделия могут находиться в эксплуатации до тех пор, пока они соответствуют требованиям проверки (в течение максимального срока службы изделия). Максимальный срок службы СЗВТ с текстильными стропами составляет не более 10 лет с даты изготовления.

6.0 ТЕХНИЧЕСКОЕ ОБСЛУЖИВАНИЕ, РЕМОНТ и ХРАНЕНИЕ

6.1 ОЧИСТКА: При очистке СЗВТ следуйте описанной ниже процедуре:

- Периодически очищайте наружную поверхность СЗВТ водой и мягким мыльным раствором. Размещайте СЗВТ так, чтобы могла стекать вода. При необходимости очищайте этикетки.
- Очищайте текстильный строп мягким мыльным раствором с водой. Смойте и тщательно просушите на воздухе. Не ускоряйте сушку с помощью нагревания. Строп должен полностью высохнуть, прежде чем его можно будет смотать и вернуть в корпус. Чрезмерное накопление грязи, краски и т. п. может препятствовать полному втягиванию страховочного стропа в корпус, в результате чего возникает опасность свободного падения.

6.2 РЕМОНТ: СЗВТ не подлежат ремонту. Если СЗВТ подверглось воздействию сил, возникающих при падении, или в ходе проверки выявлено небезопасное или неисправное состояние, немедленно выведите СЗВТ из эксплуатации и утилизируйте (см. раздел «Утилизация»).

6.3 ТРАНСПОРТИРОВКА И ХРАНЕНИЕ: Транспортировать и хранить СЗВТ следует в прохладной, сухой и чистой среде, без воздействия прямых солнечных лучей. Избегайте помещений, в атмосфере которых могут присутствовать пары химических веществ. После длительного хранения СЗВТ необходимо тщательно проверить.

6.4 УТИЛИЗАЦИЯ: Утилизируйте СЗВТ, если оно подверглось воздействию сил остановки падения или если в ходе проверки выявлено его небезопасное или неисправное состояние. Перед утилизацией СЗВТ отрежьте половину стропа или иным образом предотвратите случайное использование СЗВТ.

7.0 Маркировка

На рисунке 22 показаны этикетки средства защиты втягивающего типа, а также места их размещения. Все этикетки СЗВТ должны быть в наличии. Этикетки необходимо заменить, если текст на них не совсем разборчивый. Пиктограммы на этикетках определяются следующим образом:

1	Осмотрите крюк-карабин и индикатор нагрузки.
2	Проверьте функцию блокировки СЗВТ
3	Правильный способ соединения СЗВТ с привязью
4	Не допускается соприкосновение с острыми краями. Может присоединяться к анкерному креплению выше, ниже или на одном уровне со спинным D-образным кольцом (не более 140 кг).
5	Допустимая температура эксплуатации: от -40 °C до +60 °C.
6	Максимальный вес пользователя: 140 кг.
7	Всегда контролируйте втягивание стропа в СЗВТ.
8	Не подлежит ремонту
9	Хранить в холодном, сухом, чистом месте, защищенном от прямых солнечных лучей.
10	Не нагружайте строп, перекинутый через край
11	Не удаляйте этикетку

Таблица 3. Журнал проверки и обслуживания

Серийный номер (-а):		Дата покупки:	
Номер модели:		Дата первого использования:	
Дата проведения проверки:		Проверку выполнил:	
Компонент:	Проверка: (см. раздел 2 <i>Периодичность проверки</i>)	Успешно	Неуспешно
СЗВТ (Рисунок 18)	Осмотрите и убедитесь в отсутствии ослабленных креплений, изогнутых или поврежденных деталей.	<input type="checkbox"/>	<input type="checkbox"/>
	Осмотрите корпус (А) на предмет деформаций, трещин и иных повреждений.	<input type="checkbox"/>	<input type="checkbox"/>
	Осмотрите вертлюг (В) и проушину вертлюга (С) или универсальный соединительный элемент (D) и убедитесь в отсутствии деформаций, трещин и других повреждений. Вертлюг должен быть надежно присоединен к СЗВТ, но свободно вращаться. Проушина вертлюга или универсальный соединитель должны свободно вращаться на вертлюге.	<input type="checkbox"/>	<input type="checkbox"/>
	Текстильный строп (Е) должен вытягиваться и втягиваться полностью без остановок или провисания.	<input type="checkbox"/>	<input type="checkbox"/>
	Убедитесь в том, что СЗВТ блокируется, если резко дернуть за строп. Блокировка должна быть жесткой, без проскальзывания.	<input type="checkbox"/>	<input type="checkbox"/>
	Все этикетки должны быть в наличии и хорошо читаться (см. рис. 20).	<input type="checkbox"/>	<input type="checkbox"/>
	Осмотрите СЗВТ целиком и убедитесь в отсутствии признаков коррозии.	<input type="checkbox"/>	<input type="checkbox"/>
Концевые соединительные элементы (Рисунок 19)	В таблице 2 указаны концевые соединительные элементы, которые должны входить в комплект поставки вашей модели СЗВТ Nano-Lok. Проверьте все крюки-карабины, карабины, крюки-карабины для крепления к арматуре, интерфейсные элементы и т. п. на наличие следов повреждений и коррозии и убедитесь, что они находятся в рабочем состоянии. При наличии: Затворы должны открываться, закрываться, запираться и отпираться должным образом, кнопки и стержни блокировки должны правильно функционировать.	<input type="checkbox"/>	<input type="checkbox"/>
Текстильный строп (Рисунок 20)	Осмотрите тканые ленты; их материал не должен иметь порезов (А), истираний (В) или порванных волокон. Проверьте стропы на наличие разрывов, потертостей, чрезмерного загрязнения (С), плесени, прожжений (D) или признаков выцветания. Осмотрите швы; проверьте швы на наличие вытянутых или разорванных нитей. Порванные швы могут быть признаком того, что привязь подвергалась ударной нагрузке и должна быть изъята из эксплуатации.	<input type="checkbox"/>	<input type="checkbox"/>
Амортизатор (Рисунок 21)	Убедитесь в том, что встроенный амортизатор не был активирован. Открытая или порванная крышка (А), тканая лента, вытянутая из крышки, порванная или потертая тканая лента (В), разорванные швы и т. д. являются индикаторами активированного амортизатора.	<input type="checkbox"/>	<input type="checkbox"/>
Корректирующие действия / техническое обслуживание:		Утвердил:	
		Дата:	
Корректирующие действия / техническое обслуживание:		Утвердил:	
		Дата:	
Корректирующие действия / техническое обслуживание:		Утвердил:	
		Дата:	
Корректирующие действия / техническое обслуживание:		Утвердил:	
		Дата:	
Корректирующие действия / техническое обслуживание:		Утвердил:	
		Дата:	
Корректирующие действия / техническое обслуживание:		Утвердил:	
		Дата:	
Корректирующие действия / техническое обслуживание:		Утвердил:	
		Дата:	

BEZPEČNOSTNÉ INFORMÁCIE

Pred použitím tohto samonavijacieho zariadenia (SRD), prosím, prečítajte, porozumejte a dodržiavajte všetky bezpečnostné informácie zahrnuté v týchto pokynoch. V OPAČNOM PRÍPADE BY TO MOHLO SPÔSOBIŤ VÁŽNE ZRANENIE ALEBO SMŤ.

Tieto pokyny musia byť dodané používateľovi tohto zariadenia. Ponechajte si tieto pokyny ako referenciu pre budúcnosť.

Účel použitia:

Toto samonavijacie zariadenie je určené na to, aby sa používalo ako súčasť úplného systému osobnej prevencie proti pádu.

Akkoľvek iné využívanie zariadenia vrátane, ale neobmedzujúc, ako manipulácia s materiálom, rekreačné alebo iné so športom súvisiace činnosti, alebo iné činnosti, ktoré nie sú popísané v návode pre používateľa, nie sú schválené spoločnosťou 3M a mohli by spôsobiť vážne zranenie alebo smrť. Toto zariadenie sa má používať na pracovisku iba zaškolenými používateľmi.

! VAROVANIE

Toto samonavijacie zariadenie je súčasťou systému osobnej ochrany proti pádu. Očakáva sa, že všetci používatelia budú plne zaškolení na bezpečnú inštaláciu a obsluhu svojho systému osobnej ochrany proti pádu. **Nesprávne použitie tohto zariadenia by mohlo spôsobiť vážne zranenie alebo smrť.** Ohľadom správneho výberu, obsluhy, inštalácie, údržby a servisu, pozrite si tento návod pre používateľa vrátane všetkých odporúčaní výrobcu, navštívte kontrolóra alebo kontaktujte Technické služby spoločnosti 3M.

- **Pre zníženie rizík spojených s prácou s SRD, ktoré, ak sa im nezabráni, by mohli spôsobiť vážne zranenie alebo smrť:**
 - Pred každým použitím SRD prekontrolujte a preskúšajte správne zablokovanie a navíjanie.
 - ak kontrola odhalí nebezpečný alebo chybný stav, vyradte zariadenie z prevádzky a zabezpečte jeho opravu alebo výmenu v súlade s návodom na používanie;
 - Ak sa SRD použilo na zabránenie pádu alebo bolo vystavené sile nárazu, okamžite SRD odstráňte z prevádzky a zariadenie označte ako 'NEPOUŽITELNÉ'.
 - Zabezpečte, že záchranné lano bude používané mimo ľubovoľnej prekážky vrátane, ale neobmedzujúc; zapletenie sa do pohybujúcich sa strojov alebo zariadení (napr. horného pohonu mazaných lán), iných pracovníkov, seba, okolitých predmetov alebo náraz so zavesenými predmetmi, ktoré by mohli spadnúť na záchranné lano alebo pracovníka.
 - Záchranné lano nikdy neopustíte bez dohľadu. Záchranné lano nezáväzujte ani nezaťužte.
 - Pripevnite nepoužitý(-é) popruh(-y) SRD pripevneného k postroju do odkladacieho(-ich) nástavca(-ov) postroja, ak sú vo výbave.
 - Nepoužívajte v prípadoch, keď je prekážka v dráhe pádu. Pri práci na pomaly sa posúvajúcim materiáli, napr. piesok alebo zrno, alebo v stiesnených alebo obmedzených priestoroch, sa pracovníkovi nemusí podať dosiahnuť dostatočnú rýchlosť, na to, aby sa SRD zablokovalo. Na spoľahlivé zablokovanie SRD je potrebná voľná dráha.
 - Zabrňte náhlým alebo rýchlym pohybom počas bežnej pracovnej činnosti. Toto môže spôsobiť zablokovanie zariadenia.
 - zabezpečte, aby systémy/podsystemy na ochranu proti pádu zostavené zo súčastí vyrobených rôznymi výrobcami boli kompatibilné a splňali požiadavky príslušných noriem vrátane normy ANSI Z359 alebo iných príslušných predpisov, noriem alebo požiadaviek na ochranu proti pádu. Pred používaním týchto systémov sa vždy poraďte s kompetentnou a/alebo kvalifikovanou osobou.
- **Na zníženie rizík spojených s prácou vo výškach, ktoré, ak sa nezabráni, by mohli spôsobiť vážne zranenie alebo smrť:**
 - zabezpečte, aby vám zdravotný a fyzický stav umožňoval bezpečne znášať všetky sily spojené s prácou vo výškach. Poradte sa so svojim lekárom, ak máte akékoľvek otázky ohľadom vašej schopnosti používať toto vybavenie.
 - nikdy neprekračujte povolenú kapacitu vášho ochranného vybavenia.
 - nikdy neprekračujte maximálnu voľnú vzdialenosť pádu vášho ochranného vybavenia proti pádu.
 - nepoužívajte žiadne ochranné vybavenie proti pádu, ktoré nezodpovedá kontrolám pred použitím alebo iným plánovaným kontrolám, alebo ak máte obavy ohľadom používania alebo vhodnosti vybavenia pre vašu aplikáciu. S akýmkoľvek otázkami sa obráťte na oddelenie technických služieb spoločnosti 3M.
 - niektoré kombinácie podsystemov a dielov nemusia ohrozovať funkčnosť tohto zariadenia. Používajte iba kompatibilné spojenia. Pri používaní tohto vybavenia v kombinácii s inými komponentmi alebo subsystemami, ktoré nie sú popísané v tomto návode pre používateľa, sa poraďte so spoločnosťou 3M.
 - Uplatnite ďalšie predbežné opatrenia pri práci v okolí pohybujúcich sa strojov (napr. horného pohonu mazaných lán), elektrických rizík, extrémnych teplôt, chemických rizík, explozívnych alebo toxických plynov, ostrých hrán alebo pod zavesenými predmetmi, ktoré by mohli spadnúť na vás alebo vaše ochranné vybavenie proti pádu.
 - používajte prostriedky proti elektrickému oblúku (Arc Flash) alebo na „horúce práce“ (Hot Works) pri práci v prostredí s vysokými teplotami.
 - vyhýbajte sa povrchom alebo predmetom, ktoré môžu poškodiť používateľa alebo vybavenie.
 - pri práci vo výške zabezpečte, že budete mať priestor pre voľný pád.
 - nikdy neupravujte alebo nepozmeňujte svoje ochranné vybavenie proti pádu. Opravy tohto vybavenia môžu vykonávať iba pracovníci spoločnosti 3M alebo spoločnosťou 3M písomne poverené osoby.
 - pred použitím ochranného vybavenia proti pádu zabezpečte, aby bol na mieste plán záchranu, ktorý umožní okamžitú záchranu pri výskyte incidentu pádu.
 - ak sa vyskytne incident pádu, okamžite vyhľadajte lekársku pomoc pre pracovníka, ktorý spadol;
 - telový pás nepoužívajte pri aplikáciách s nebezpečenstvom voľného pádu. Používajte iba celotelové postroje.
 - minimalizujte riziko výkyvu pri páde tým, že budete pracovať čo najbližšie pod bodom ukotvenia.
 - pri zaškolení s týmto zariadením sa sekundárny systém ochrany proti pádu musí používať spôsobom, ktorý nevystaví školenú osobu neúmyselnému riziku pádu.
 - pri inštalácii, používaní alebo kontrole vybavenia/systému noste vždy náležité osobné ochranné prostriedky.

Pred použitím tohto zariadenia zaznamenajte informácie o identifikácii výrobku z identifikačného (ID) štítku do záznamu o kontrole a údržbe vzadu v tomto návode.

POPIS:

Obrázok 2 identifikuje kľúčové komponenty samonavijacieho zariadenia (SRD) Nano-Lok 3M™ DBI-SALA®. SRD Nano-Lok sú tkaninové záchranné laná (A), ktoré sa navijajú na bubon s integrovaným pohlcovačom energie (B), ktorý sa zaťahuje do nylonového puzdra (C). Oko otočného čapu (D) na hornej strane puzdra umožňuje pripojenie k vhodnému kotviacemu pripojovaciemu bodu pomocou karabíny (E) alebo montáž na celotelový postroj s pomocou pripojenia postroja (F). Obrázok 1 identifikuje dostupné modely Nano-Lok a ich konfigurácie konektorov. V tabuľke 1 si pozrite špecifikácie SRD Nano-Lok a konektora.

Tabuľka 1 – Špecifikácie

Špecifikácie dielov:

Puzdrá SRL	Nylon
Bubon	Nylon
Interné komponenty	Nehrdzavejúca oceľ, hliník
Tkaninové záchranné lano	Dyneema polyester
Pohlcovač energie	Kryt: nitrilová guma, Tkanina: polyester, Stehy: polyesterová alebo nylonová niť
Otočný čap	Pozinkovaná oceľ

Špecifikácie konektora:

	Popis	Materiál	Otvorenie uzáveru	Sila uzáveru	Pevnosť v ťahu
1	Oko otočného čapu	Oceľ	22,35 mm (0,88 palca) vnútorný priemer	X	22,2 kN (5 000 libier)
2	Karabína	Hliník	19 mm (3/4 palca)	16 kN (3 600 libier)	22,2 kN (5 000 libier)
3	Karabína	Oceľ	19 mm (3/4 palca)	16 kN (3 600 libier)	22,2 kN (5 000 libier)
4	Pripojenie na jedno SRD	Oceľ	51 mm (2 palce)	16 kN (3 600 libier)	22,2 kN (5 000 libier)
5	Pripojenie na dve SRD	Oceľ s nylonovou vložkou	19 mm (3/4 palca)	16 kN (3 600 libier)	22,2 kN (5 000 libier)
6	Karabína	Hliník, oceľ	56 mm (2,19 palca)	16 kN (3 600 libier)	22,2 kN (5 000 libier)
7	Karabína	Hliník	19 mm (3/4 palca)	16 kN (3 600 libier)	22,2 kN (5 000 libier)
8	Samosvorný hák	Hliník	57 mm (2,25 palca)	16 kN (3 600 libier)	22,2 kN (5 000 libier)
9	Samosvorný hák	Hliník	63 mm (2,5 palca)	16 kN (3 600 libier)	22,2 kN (5 000 libier)
10	Karabína	Hliník	52 mm (2 palce)	16 kN (3 600 libier)	22,2 kN (5 000 libier)
11	Samosvorný hák	Hliník, oceľ	63 mm (2,5 palca)	16 kN (3 600 libier)	22,2 kN (5 000 libier)
12	Karabína	Oceľ	19 mm (3/4 palca)	16 kN (3 600 libier)	22,2 kN (5 000 libier)
13	Samosvorný hák	Hliník	57 mm (2,25 palca)	16 kN (3 600 libier)	22,2 kN (5 000 libier)
14	Zaskakovací hák	Oceľ	19 mm (3/4 palca)	16 kN (3 600 libier)	22,2 kN (5 000 libier)

Výkonnostné špecifikácie:

Špecifikácie SRL (vertikálne)	Modely CE	
Rozsah nosnosti	59 kg – 100 kg (130 libier – 220 libier)	100 kg – 140 kg (220 libier – 310 libier)
Maximálna sila zadržania	6 kN (1 350 libier)	6 kN (1 350 libier)
Priemerná sila zadržania	4 kN (900 libier)	4 kN (900 libier)
Uvedená maximálna vzdialenosť zadržania¹	0,61 m (24 palcov)	0,61 m (24 palcov)
Minimálny požadovaný priestor pre pád¹	1,5 m (5 stôp)	1,8 m (5,8 stopy)
Maximálny voľný pád²	1,5 m (5 stôp)	1,5 m (5 stôp)

1 - Predpokladá sa, že zariadenie SRL sa nainštaluje priamo nad koncového používateľa.

2 - Merané od D-krúžka po pochôdzny/pracovný povrch. Podrobnosti nájdete v tabuľke (tabuľkách) Priestor pre pád.

1.0 APLIKÁCIE

- 1.1 ÚČEL:** Samonavíjacie zariadenia (SRD) sú navrhnuté ako súčasť osobného systému ochrany proti pádu (PFAS). Obrázok 1 zobrazuje SRD, na ktoré sa vzťahuje táto príručka. Môžu byť použité vo väčšine situácií, keď sa požaduje kombinácia mobility pracovníkov a ochrany proti pádu (t. j. kontrolné práce, všeobecné stavebné práce, údržbárske práce, ťažba ropy, práce v stiesnených priestoroch a pod.).
- 1.2 ŠTANDARDY:** Vaše SRD je v súlade národnými alebo regionálnymi štandardmi, ktoré sú uvedené na prednom obale týchto pokynov. Dodatočné informácie týkajúce sa osobnej ochrany proti pádu nájdete v miestnych, národných a federálnych (OSHA) požiadavkách, ktoré riadia bezpečnosť pri práci.
- 1.3 ŠKOLENIE:** Toto zariadenie je určené na použitie osobami vyškolenými v jeho správnom použití a využití. Je zodpovednosťou používateľa zabezpečiť, že je oboznámený s týmito pokynmi a je školený v správnej starostlivosti a používaní tohto zariadenia. Používatelia musia byť informovaní o prevádzkových vlastnostiach, aplikačných obmedzeniach a následkoch nesprávneho použitia.
- 1.4 OBMEDZENIA:** Pri inštalácii alebo používaní tohto zariadenia vždy zväzte nasledujúce obmedzenia:

- **Kapacita:** SRD sú určené na použitie jednou osobou s celkovou hmotnosťou (oblečenie, nástroje atď.), pričom spĺňajú rozsah nosnosti uvedený v tabuľke 1. Uistite sa, či sú všetky komponenty vášho systému normované na príslušnú nosnosť pre vašu aplikáciu.
- **Ukotvenie:** Štruktúra ukotvenia pre SRD musí byť schopná udržať záťaž až 12 kN (2 697 libier). Kotviace pomôcky musia spĺňať požiadavky normy EN795 alebo iné platné normy týkajúce sa kotviacich konektorov.
- **Blokovacia rýchlosť:** Je nevyhnutné vylúčiť možnosť pádu po dráhe bez prekážok. Pri práci v uzavretých a stiesnených priestoroch či na naklonenom povrchu nie je dovolené, aby telo dosiahlo rýchlosti dostatočné na aktivovanie blokovania zariadenia SRD ak sa vyskytne pád. Pri práci na pomaly sa pohybujúcom materiáli, napríklad na piesku alebo obilí, nemusí byť dosahovaná rýchlosť dostatočná aby spôsobila blokovanie zariadenia SRD. Na spoľahlivé zablokovanie SRD je potrebná voľná dráha.
- **Voľný pád:** Keď je upevnenie nad úrovňou hlavy, SRD obmedzí vzdialenosť voľného pádu na 0,6 m (2 stopy) alebo menej¹. Aby ste sa vyhli predĺženej vzdialenosti pádu, upevnite SRD priamo nad pracovnú úroveň. Nikdy nepripájajte SRD ku kotviacemu bodu, ktorým sa vytvorí voľný pád z výšky väčšej ako 1,5 m (5 stôp). Vyhýbajte sa práci, kde sa vaše záchranné lano môže krížiť alebo preliezť so záchranným lanom iného pracovníka. Vyhýbajte sa práci na miestach, kde môže nastať pád predmetu, ktorý zasiahne záchranné lano, čo má za následok stratu rovnováhy alebo poškodenie záchranného lana. Počas používania nedovoľte, aby záchranné lano prechádzalo pod pažou alebo medzi nohami. Nikdy neupínajte, neuzlíte ani inak nebráňte záchrannému lanu, aby sa vťahlo alebo bolo napnuté. Vyhýbajte sa povoleniu napnutia. **Nepredlžujte zariadenia SRD pripájaním lán alebo podobných komponentov bez konzultácie so spoločnosťou 3M.**
- **Výkyvy pri páde:** K pádom kvôli výkyvu dochádza, ak nie je bod ukotvenia priamo nad miestom, kde dôjde k pádu. Sila nárazu do predmetu pri páde z výkyvu môžu spôsobiť ťažké zranenie (pozrite si Obrázok 3A). Minimalizujte riziko výkyvu pri páde tým, že budete pracovať čo najbližšie pod bodom ukotvenia (Obrázok 3B). Práca mimo kotviaceho bodu (Obrázok 3C) zvýši dôsledky pádu v dôsledku výkyvu a zvýši požadovaný priestor pre voľný pád (FC).
- **Bezpečná výška ukotvenia:** Obrázok 3B znázorňuje výpočet priestoru pre voľný pád. Priestor pre voľný pád (FC) je súčet voľného pádu (FF), spomaľovacej vzdialenosti (DD) a bezpečnostného faktora (SF): $FC = FF + DD + SF$. Posun krúžka D a napnutie postroja sú zahrnuté v bezpečnostnom faktore. Hodnoty priestoru pre voľný pád sú vypočítané a sú uvedené na obrázku 4. Bezpečnostný faktor 1 m (3,28 stopy) bol použitý pre všetky hodnoty na obrázku 4.

Obrázok 4 znázorňuje priestor pre voľný pád (FC) na základe horizontálnej (H) a vertikálnej (V) vzdialenosti medzi chrbtovým pripojením SRD a kotviacim bodom. Každá vodorovná čiara v grafe (-och) predstavuje vodorovnú vzdialenosť od kotviaceho bodu. Každá zvislá čiara v grafe (-och) predstavuje zvislú vzdialenosť od kotviaceho bodu. Hodnota priestoru pre pád (FC) je určená zónou (parabolické čiary), v ktorej sa pretínajú vodorovné (H) a zvislé (V) čiary mriežky. Príklad na obrázku 4 znázorňuje, ako určiť požadovanú hodnotu priestoru pre pád (FC) pre uvedené vertikálne (V) a horizontálne (H) vzdialenosti.

Premenné body kotvenia: Priestory pre pád na obrázku 4 sú založené na pevnom, statickom kotviacom bode. Ak pri páde do horizontálneho záchranného lana (HLL) alebo kotviaceho bodu, ktoré sa počas pádu môžu pohybovať, kĺzať alebo deformovať, hodnoty priestorov pre pád z obrázku 4 sa neuplatňujú. Ďalšie podrobnosti o požadovaných priestoroch pre pád, vychýlení a/alebo deformáciách nájdete v pokynoch pre HLL alebo kotvu.

Práca na kolenách alebo v podrepe: Grafy vzdialeností na obrázku 4 predpokladajú, že pracovník je v stoj. Ak sa pracovník nachádza na kolenách alebo v podrepe, požaduje sa ďalších 0,9 m (3 stopy) výšky.

Nikdy nekotvíte pod päťami: Kotviaci bod nikdy nepripájajte pod svojimi chodidlami.

- **Riziká:** Používanie tohto zariadenia v priestoroch s environmentálnymi rizikami si môže vyžadovať ďalšie bezpečnostné opatrenia, aby sa znížilo nebezpečenstvo úrazu alebo poškodenia zariadenia. Riziká môžu okrem iného zahŕňať, ale nie sú obmedzené na: vysoké teplo, žieravé chemikálie, korozívne prostredia, vedenia vysokého napätia, výbušné alebo toxické plyny, pohybujúce sa stroje alebo materiály, ktoré môžu spadnúť a zasiahnuť používateľa alebo systém ochrany proti pádu. Vyhýbajte sa práci, kde sa vaše záchranné lano môže krížiť alebo preliezť s iným objektom alebo pracovníkom. Vyhýbajte sa práci na miestach, kde môže nastať pád predmetu, ktorý zasiahne záchranné lano, čo má za následok stratu rovnováhy alebo poškodenie záchranného lana. Počas používania nedovoľte, aby záchranné lano prechádzalo pod pažou alebo medzi nohami.
- **Ostré okraje:** Ostré okraje, ktorých sa záchranné lano SRD môže pri páde dotýkať, musia mať minimálny polomer 0,3 cm (0,125 palca). Keď nie je možné vyhnúť sa kontaktu s ostrou hranou, zakryte ju ochranným materiálom.

¹ **Voľný pád:** Správna aplikácia SRD, pri ktorej pracovník pracuje priamo pod kotviacim bodom a bez záchranného lana, obmedzí voľný pád. Pozrite si obrázok 4 pre prijateľné kotviace miesta.

2.0 Používanie systému

- 2.1 OCHRANA PRED PÁDOM A ZÁCHRANNÝ PLÁN:** Zamestnanec musí mať ochranu pred pádom a záchranný plán. Plán by mal poskytnúť usmernenia a požiadavky týkajúce sa riadeného programu ochrany pred pádom zamestnávateľa vrátane zásad, povinností a odbornej prípravy; postupy na ochranu pred pádom; eliminovanie a kontrola rizika pádov; záchranné postupy; vyšetovania incidentov a hodnotenie efektívnosti programu.
- 2.2 INTERVAL KONTROLY:** Zariadenia SRD musí kontrolovať autorizovaná osoba¹ alebo záchranár² pred každým použitím (pozrite si tabuľku 3). Kontroly by sa ďalej mali vykonávať kompetentnou osobou³ inou ako používateľ. Extrémne pracovné podmienky (drsné prostredie, dlhodobé používanie, atď.) si môžu vyžadovať častejšie kontroly kompetentnou osobou. Kompetentná osoba použije *Plán kontroly (Tabuľka 2)* na stanovenie vhodných intervalov kontroly. Postupy kontrol sú popísané v časti *Záznam o kontrole a údržbe (Tabuľka 3)*. Výsledky kontroly kompetentnou osobou sa musia zaznamenať do *Záznamu o kontrole a údržbe* alebo zaznamenať pomocou rádiového identifikačného systému RFID (pozrite si časť 5).
- 2.3 NORMÁLNA PREVÁDZKA:** Normálna prevádzka umožňuje odvinutie celej dĺžky záchranného lana a jeho navinutie, bez váhania a bez toho, aby bolo povolené, tak ako sa pracovník pohybuje normálnou rýchlosťou. Ak dôjde k pádu, aktivuje sa brzďový systém snímania rýchlosti, ktorý zastaví pád a pohltí väčšinu vzniknutej energie. Počas normálnej prevádzky by ste sa mali vyhýbať náhlým alebo rýchlym pohybom, pretože môžu spôsobiť zablokovanie SRD. Pre prípad pádov, ku ktorým dôjde na konci dosahu lana, bol začlenený rezervný systém záchranného lana alebo absorbér energie na zníženie síl pri zachytení pádu.
- 2.4 PODPORA TELA:** So samonavíjacím zariadením sa musí používať celotelový postroj. Bod pripojenia postroja sa musí nachádzať nad ťažiskom používateľa. Telový pás nie je autorizovaný na používanie so samonavíjacím zariadením. Ak dôjde k pádu pri použití telového pásu, môže to spôsobiť neúmyselné uvoľnenie alebo fyzickú traumu kvôli nesprávnej podpore tela.
- 2.5 KOMPATIBILITA KOMPONENTOV:** Ak sa výslovne neuvádza iné, 3M zariadenia sú navrhnuté len na použitie s komponentmi a subsystémami schválenými spoločnosťou 3M. Výmeny alebo náhrady vykonané použitím neschválených dielov alebo subsystémov môžu ohroziť kompatibilitu zariadení a môžu znížiť bezpečnosť a spoľahlivosť celého systému.
- 2.6 KOMPATIBILITA KONEKTOROV:** Konektory sa považujú za kompatibilné so spojovacími prvkami, keď boli navrhnuté tak, aby spolupracovali takým spôsobom, že ich rozmery a tvary nespôsobujú neúmyselné otvorenie ich mechanizmov uzáveru bez ohľadu na to, ako sú orientované. Ak máte akékoľvek otázky ohľadom compatibility, obráťte sa na spoločnosť 3M. Konektory, (háčky, karabíny a D-krúžky) musia byť schopné udržať najmenej 22,2 kN (5 000 libier). Konektory musia byť kompatibilné s ukotvením a s inými komponentmi systému. Nepoužívajte zariadenie, ktoré nie je kompatibilné. Nekompatibilné konektory sa môžu neúmyselne odpojiť (pozrite si Obrázok 5). Konektory musia byť kompatibilné veľkosťou, tvarom a pevnosťou. Požadujú sa samozamykacie háky a karabíny. Ak je spojovací prvok, ku ktorému sa pripája hák alebo karabína poddimenzovaný alebo má nepravdivý tvar, môže nastať situácia, pri ktorej spojovací prvok vyvíja silu na uzáver háku alebo karabíny (A). Táto sila môže spôsobiť otvorenie uzáveru (B), čo umožní odpojenie háku alebo karabíny od spojovacieho prvku (C).
- 2.7 SPÁJANIE:** Háky a karabíny používané s týmto zariadením musia byť samozamykacie. Skontrolujte, či sú všetky pripojenia kompatibilné veľkosťou, tvarom a pevnosťou. Nepoužívajte zariadenie, ktoré nie je kompatibilné. Uistite sa, že všetky konektory sú úplne zatvorené a zamknuté. 3M konektory, (zaskakovacie háky a karabíny), sú navrhnuté na použitie len podľa špecifikácií, ktoré sú uvedené v návode na používanie každého výrobku. Pozrite si obrázok 6, kde nájdete príklady nesprávneho pripájania.

Háky a karabíny nepripájajte:

- K D-krúžku, ku ktorému je už pripojený iný konektor.
- Spôsobom, ktorý bude mať za následok zaťaženie uzáveru. Zaskakovacie háky s veľkým otvorom by sa nemali pripájať k D-krúžkom štandardnej veľkosti ani k podobným predmetom, čo bude mať za následok zaťaženie otvoru, ak sa hák alebo D-krúžok skrúti alebo otočí, ak nie je zaskakovací hák vybavený otvorom na zaťaženie 16 kN (3 600 libier).
- V prípade falošného zapojenia, kde veľkosť alebo tvar párových konektorov nie sú kompatibilné a bez vizuálneho potvrdenia sa konektory zdajú byť plne zapojené.
- Jeden k druhému.
- Priamo ku tkanine, lanu alebo spätnému previazaniu (pokiaľ pokyny výrobcu pre lano i konektor výslovne nepovoľujú takýto spôsob spojenia).
- K akémukoľvek predmetu, ktorý má tvar alebo rozmery, ktoré neumožňujú zatvorenie a zamknutie háku alebo karabíny, alebo môžu spôsobiť uvoľnenie.
- Spôsobom, ktorý neumožňuje správne zarovnanie konektora, keď je pod zaťažením.

Tabuľka 2 – Harmonogram kontrol

Typ použitia	Príklady aplikácie	Podmienky použitia	Interval kontroly
			Kompetentná osoba
Nepravdivé až mierne	Záchrana v stiesnených priestoroch, údržba tovarne	Dobré podmienky skladovania, vnútorné alebo nepravdivé vonkajšie použitie, izbová teplota, čisté prostredie	Ročne
Stredné až náročné	Preprava, bytová výstavba, verejnoprospešné služby, sklad	Priemerné podmienky skladovania, vonkajšie a dlhšie vonkajšie použitie, všetky teploty, čisté alebo prašné prostredia	Polročne až ročne
Ťažké až nepretržité	Obchodná výstavba, ťažba ropy a plynu, dolovanie	Drsné podmienky skladovania, dlhé alebo nepretržité vonkajšie použitie, všetky teploty, špinavé prostredie	Štvrťročne až polročne

¹ **Autorizovaná osoba:** Osoba poverená zamestnávateľom vykonávať úlohy na mieste, na ktorom bude táto osoba vystavená nebezpečenstvu pádu.

² **Záchranár:** Osoba alebo osoby iné ako subjekt záchrany, ktoré prevádzkovaním záchranného systému vykonávajú asistovanú záchranu.

³ **Kompetentná osoba:** Jednotlivec určený zamestnávateľom, ktorý je zodpovedný za okamžitý dohľad, implementáciu a monitorovanie programu ochrany proti pádu spravovaného zamestnávateľom a vďaka školeniu a vedomostiam je schopný identifikovať, vyhodnotiť a vyriešiť existujúce alebo potenciálne nebezpečenstvá pádu, a má oprávnenie od zamestnávateľa vykonávať rýchle nápravné opatrenia s ohľadom na tieto nebezpečenstvá.

3.0 Inštalácia

- 3.1 PROJEKTOVANIE:** Svoj systém ochrany proti pádu si naprojektujte pred začatím práce. Zohľadnite všetky faktory, ktoré môžu ovplyvniť vašu bezpečnosť pred pádom, počas pádu aj po páde. Zvážte všetky požiadavky a obmedzenia definované v časti 2.

Vo väčšine aplikácií možno samonavíjacie zariadenie (SRD) Nano-Lok pripojiť k upevňovaciemu bodu alebo chrbtovému umiestneniu postroja. Akákoľvek orientácia je možná, okrem orientácie, ktorá je uvedená v časti 4.

- 3.2 UKOTVENIE:** Obrázok 7 zobrazuje typické upevňovacie spojenia SRD. Zvoľte si miesto upevnenia s minimálnym voľným pádom a nebezpečenstvom pádu s pohyďávaním (pozrite si časť 1). Vyberte si pevný upevňovací bod, ktorý vydrží dané statické zaťaženie definované v časti 1. Tam, kde nie je možné vykonať vyššie položené upevnenie, Nano-Lok SRD je možné upevniť aj k upevňovaciemu bodu, ktorý sa nachádza pod úrovňou chrbtového D-krúžku používateľa. V prípade používateľov do 140 kg (310 libier) sa upevňovací bod nesmie nachádzať nižšie ako 1,5 m (5 stôp) pod chrbtovým D-krúžkom.

- 3.3 UPEVNENIE POSTROJA:** Niektoré modely SDR zahŕňajú pripojenie postroja pre jedno alebo dve SDR na ich uchytenie na celotelové postroje priamo pod chrbtovým D-krúžkom:

Niektoré celotelové postroje sú vybavené osobným okom SRD (tzv. oko PSRL), ktorého pomocou sa chrbtový D-krúžok integruje s pripájacími prvkami samonavíjacích zariadení namontovaných na postroji (obrázok 8). SRD je možné pripojiť na chrbtový D-krúžok postroja pomocou karabíny alebo samosvorného háka.

- **Inštalácia postroja s jedným SRD:** Ak je pohyblivosť pracovníka veľmi dôležitá, pripojenie postroja na SRD možno použiť na inštaláciu SRD na zadnú stranu celotelového postroja priamo pod chrbtovým D-krúžkom (pozrite si obrázok 9). Pracovník sa potom môže pripojiť pomocou konca záchranného lana na SRD k rôznym bodom kotvenia, ktoré sa nachádzajú na pracovisku, bez toho, aby musel neustále odpájať SRD. Pripojenie SRD na celotelový postroj pomocou pripojenia postroja na SRD:

1. **Uvoľnite tkaninu postroja:** Ťahajte za popruhy (A) na mieste, kde prechádzajú spodnou časťou chrbtového D-krúžka (B), kým sa nevytvorí dostatok miesta na zasunutie pripojenia postroja na SRD medzi popruhy a podložku D-krúžka.
2. **Otvorte pripojenie postroja:** Zatlačte na obe poistné tlačidlá (C) súčasne a vysuňte poistný kolík (D).
3. **Umiestnite SRD na pripojenie postroja:** Vložte otvorený uzáver do pripojenia postroja cez oko otočného čapu na SRD (E). Prevedte pripojenie cez oká otočného čapu tak, aby SRD viselo z chrbtovej opory pripojenia postroja (F).
4. **Umiestnite pripojenie postroja okolo remeňov:** Umiestnite otvorený uzáver pripojenia postroja okolo voľných popruhov (A).
5. **Zatvorte pripojenie postroja:** Tlačte poistný kolík pripojenia postroja (D) cez voľné popruhy (A), až kým sa nezaistí na mieste na protifahlom konci pripojenia postroja. Potiahnite popruhy cez chrbtový D-krúžok a chrbtovú opierku, aby ste zaistili pripojenie postroja.

Červená páska na konci poistného kolíka pripojenia postroja s poistným kolíkom je odhalená, ak je pripojenie postroja odomknuté. Aby ste zabránili náhodnému uvoľneniu pripojenia, vždy sa pred použitím postroja a pripojeného SRD uistite, že je pripojenie postroja uzamknuté. V opačnom prípade by to mohlo mať za následok zranenie alebo smrť.

- **Inštalácia postroja s dvomi SRD:** Pri prácach vo výškach, kde sa vyžaduje 100 % istenie, možno použiť pripojenie postroja na SRD na inštaláciu dvoch SRD vedľa seba na zadnú stranu celotelového postroja priamo pod chrbtovým D-krúžkom (pozrite si obrázok 9). Inštalácia dvoch SRD na celotelový postroj pomocou pripojenia postroja na SRD:

1. **Uvoľnite tkaninu postroja:** Ťahajte za popruhy (A) na mieste, kde prechádzajú spodnou časťou chrbtového D-krúžka (B), kým sa nevytvorí dostatok miesta na zasunutie pripojenia postroja na SRD medzi popruhy a podložku D-krúžka.
2. **Otvorte pripojenie postroja:** Zatlačte na obe poistné tlačidlá (C) súčasne a vysuňte poistný kolík (D).
3. **Umiestnite dve SRD na pripojenie postroja:** Vložte otvorený uzáver do pripojenia postroja cez oko otočného čapu na jednotlivých SRD (E). Prevlečte pripojenie cez oká otočného čapu tak, aby SRD viseli z chrbtovej opory rozhrania postroja (F).
4. **Umiestnite pripojenie postroja okolo popruhov:** Umiestnite otvorený uzáver pripojenia postroja okolo voľných popruhov (A).
5. **Zatvorte pripojenie postroja:** Tlačte poistný kolík pripojenia postroja (D) cez voľné popruhy (A), až kým sa nezaistí na mieste na protifahlom konci pripojenia postroja. Potiahnite popruhy cez chrbtový D-krúžok a chrbtovú opierku, aby ste zaistili pripojenie postroja.

Červená páska na konci poistného kolíka pripojenia postroja osadeného gombíkom je odhalená, ak je pripojenie postroja odomknuté. Aby ste zabránili náhodnému uvoľneniu pripojenia, vždy sa pred použitím postroja a pripojeného SRD uistite, že je pripojenie postroja uzamknuté. V opačnom prípade by to mohlo spôsobiť zranenie alebo smrť.

- **Inštalácia postroja s dvomi SRD a fixným D-krúžkom:** Staršie celotelové postroje ExoFit s fixným D-krúžkom si vyžadujú špeciálne pripojenie postroja na SRD, aby ste mohli nainštalovať dve SRD na zadnú stranu postroja priamo pod zadný D-krúžok. Inštalácia dvoch SRD na celotelový postroj ExoFit pomocou pripojenia postroja na SRD s fixným D-krúžkom (obrázok 10):
 1. **Uvoľnite tkaninu postroja:** Ťahajte za popruhy (A) na mieste, kde prechádzajú spodnou časťou chrbtového D-krúžka (B), kým sa nevytvorí dostatok miesta na vloženie pripojenia postroja na SRD medzi popruhy a chrbtovú opierku.
 2. **Otvorte pripojenie postroja:** S pripojením postroja na SRD nasmerovaným podľa obrázka zatlačte poistnú manžetu (C) doprava a potom ju otočte v smere hodinových ručičiek, aby ste odistili uzáver (D). Sklopte uzáver (D) nadol, aby ste ho otvorili.
 3. **Navlečte prvé SRD na pripojenie postroja:** Vložte prednú časť konektora (E) cez oko otočného čapu (F) na SRD a potom otočte SRD okolo konca s uzáverom konektora (G). Uzáver možno zatvoriť, aby vznikla medzera na oko otočného čapu medzi uzáverom a trňom konektora.
 4. **Umiestnite pripojenie postroja okolo popruhov:** Vložte prednú časť konektora (E) za popruhy (A). Otáčajte konektor za popruhmi, kým nebude popruhy obklopovať.
 5. **Pridajte druhé SRD na pripojenie postroja:** Posuňte oko otočného čapu (F) SRD cez prednú časť konektora (E) a umiestnite oko otočného čapu SRD do predného konca konektora.
 6. **Zatvorte pripojenie postroja:** Uzáver (D) nechajte zatvorený a poistnú manžetu (C) otočte späť do zaistenej polohy. Keď je pripojenie postroja zavreté, popruhy (A) potiahnite cez chrbtový D-krúžok, aby sa dosiahlo tkaniny a pripojenie postroja sa zaistilo medzi popruhy a chrbtovú opierku.
- **Dvojitá karabína 3M® DBI-SALA®:** Dvojitá karabína 3M® DBI-SALA® je navrhnutá na inštaláciu dvoch SRD Nano-Lok vedľa seba do zadnej časti celotelového postroja priamo pod chrbtový D-krúžok (pozrite s obrázok 12). Inštalácia dvoch SRD Nano-Lok na celotelovom postroji s dvojitou karabínou:
 1. **Uvoľnite tkaninu postroja:** Ťahajte za popruhy (A) na mieste, kde prechádzajú spodnou časťou chrbtového D-krúžka (B), kým sa nevytvorí dostatok miesta na zasunutie dvojramenného pripojenia medzi popruhy a chrbtový D-krúžok.
 2. **Otvorte dvojitú karabínu:** Zdvihnite vložku konektora (C), aby ste roztvorili svorky (D) z konektora, a potom otočte vložku konektora nahor, aby sa uzáver odomkol. Zatlačením uzáveru (E) dovnútra konektor otvorte.
 3. **Navlečte prvé SRD Nano-Lok na dvojitú karabínu:** Vložte prednú časť konektora (F) cez oko otočného čapu (G) na SRL a potom otočte SRL okolo konca s uzáverom konektora (H). Uzáver možno otočiť smerom k prednej časti, aby vznikla medzera na oko otočného čapu medzi uzáverom a trňom konektora.
 4. **Umiestnite dvojitú karabínu okolo popruhov:** S uzáverom smerujúcim nahor vložte prednú časť konektora (F) za popruhy (A). Otáčajte konektorom za popruhmi, kým nebude popruhy obklopovať.
 5. **Pridajte druhé SRD Nano-Lok na dvojitú karabínu:** Posuňte oko otočného čapu (G) na SRD cez prednú časť konektora (F) a umiestnite oko otočného čapu na SRD do predného konca konektora (F). Otočte uzáver (E), aby sa zatvoril.
 6. **Zatvorte dvojitú karabínu:** Otočte vložku konektora (C) dopredu, aby sa zaistili svorky (D) na konektore. Ak sú popruhy správne zaistené, mali by prechádzať otvorom na popruhy (J) na vrchnej časti vložky konektora a oká otočného čapu na SRL by mali byť zaistené v drážkach (K) na oboch stranách vložky konektora. Keď je pripojenie postroja zavreté, potiahnite popruhy (A) cez chrbtový D-krúžok a opierku D-krúžka, aby sa dotiahli voľné popruhy a aby sa konektor zaistil medzi popruhy a opierku D-krúžka.
- **Karabína 3M® DBI-SALA® s dvomi kolíkmi:** Tento nástavec postroja možno použiť na inštaláciu jedného SRL Nano-Lok alebo dvoch SRL Nano-Lok v aplikáciách lezenia (pozrite si obrázok 11), kde je potrebné 100 % istenie:
 1. **Uvoľnite tkaninu postroja:** Ťahajte za popruhy (A) na mieste, kde prechádzajú spodnou časťou chrbtového D-krúžka (B), kým sa nevytvorí dostatok miesta na zasunutie dvojramenného pripojenia medzi popruhy a chrbtový D-krúžok.
 2. **Pre jednoduchú konfiguráciu:** Umiestnite oko otočného čapu jedného SRL do stredového otvoreného priestoru.
 3. **Pre dvojitú konfiguráciu:** Umiestnite oko otočného čapu jedného SRL do otvoreného priestoru, ktorý sa nachádza najbližšie pri kolíku, a jedno SRL do otvoreného priestoru, ktorý sa nachádza najďalej od kolíka.
 4. Zasúvajte kolík späť na miesto, kým nezaznie cvaknutie. Kolík musí byť pevne zaistený na mieste.
 5. Naraz stlačte dve tlačidlá na strane postroja konektora a súčasne vysúvajte kolík von. Posunutím kolíka sa vytvorí voľný priestor.
 6. Uvoľnený popruh trochu napnite potiahnutím priamo pod chrbtovým D-krúžkom na vašom postroji. Umiestnite stranu postroja konektora pod D-krúžok.
 7. Zasúvajte kolík späť na miesto, až kým nezačujete cvaknutie. Pritom dbajte na to, aby kolík zostal pod oboma vrstvami popruhov postroja. Kolík musí byť pevne zaistený na mieste.

4.0 POUŽÍVANIE

Používatelia, ktorí používajú samonavijacie zariadenie (SRD) prvýkrát alebo občasní používatelia tohto zariadenia, by si pred použitím tohto samonavijacieho zariadenia (SRD) mali pozrieť „Bezpečnostné informácie“ na začiatku tejto príručky.

- 4.1 PRED KAŽDÝM POUŽITÍM:** Pred každým použitím toto zariadenie na ochranu proti pádu starostlivo skontrolujte, aby ste mali istotu, že je v dobrom stave. Skontrolujte, či diely nie sú opotrebované alebo poškodené. Dbajte, aby boli osadené a dotiahnuté všetky skrutky. Skontrolujte, či sa záchranné lano riadne vŕahuje, tak, že lano potiahnete von a necháte ho,

aby sa pomaly vťahlo. Ak sa pri vťahovaní vyskytne zadrhávanie, jednotku je potrebné vyradiť z prevádzky a zlikvidovať. Skontrolujte, či záchranné lano nie je poškodené porezaním, rozstrapkaním, popálením, deformáciou ani koróziou. Skontrolujte funkčnosť blokovania ráznym potiahnutím lana. Údaje o kontrole si pozrite v Protokole kontroly a údržby (tabuľka 3). Lano nepoužívajte, ak pri kontrole zistíte stav, ktorý nie je bezpečný.

- 4.2 PO PÁDE:** Každé zariadenie, ktoré bolo vystavené silám pri zabrzdení pádu alebo vykazuje poškodenia zodpovedajúce účinkom síl pri zabrzdení pádu, ako je opísané v tabuľke 3, sa musí okamžite vyradiť z prevádzky a zlikvidovať.
- 4.3 PODPORA TELA:** Pri používaní SRD sa musí nosiť celotelový postroj. V rámci všeobecného používania pri ochrane proti pádu, pripojte chrbtový (dorzálny) D-krúžok.
- 4.4 PRIPÁJANIE:** Obrázok 5 zobrazuje pripojenia postroja a upevnenia pre systémy ochrany proti pádu SRD. Pri použití háku na pripojenie sa ubezpečte, že nemôže dôjsť k vytiahnutiu (pozri obrázok 5). Nepoužívajte háky ani konektory, ktoré sa úplne nezatvoria bezprostredne nad pripevňovacím predmetom. Nepoužívajte háky, ktoré sa samy nezaistia. Upevňovací bod musí spĺňať požiadavky na silu upevnenia uvedené v tabuľke 2. Riadte sa pokynmi výrobcu dodávanými s každým dielom systému.
- 4.5 PREVÁDZKA:** Pred použitím skontrolujte SRD tak, ako je to popísané v tabuľke 3. Obrázok 14 zobrazuje pripojenia systému pre typické aplikácie SRD. SRD pripojte k vhodnému upevňovaciemu bodu alebo ho pripevnite na zadnú časť celotelového postroja podľa pokynov v časti 3. V prípade SRD pripojených pomocou upevňovacích bodov je potrebné hák (D) alebo karabínu na indikátore zaťaženia pripevniť k chrbtovému D-krúžku (A) na celotelovom postroji. V prípade SRD upevňovaných na postroj pripojte hák (D) alebo karabínu k vhodnému upevňovaciemu bodu. Skontrolujte, či sú pripojenia kompatibilné veľkosťou, tvarom a pevnosťou. Zaistite, aby boli háky úplne zatvorené a zaistené. Po pripevnení sa pracovník môže voľne pohybovať po odporúčanom pracovnom priestore bežnými rýchlosťami. Ak dôjde k pádu, SRD sa zaistí a zabrzdí pád. Po záchrane vyradte SRD z používania. Pri práci s SRD nechávajte záchranné lano navíjať späť na zariadenie vždy tak, aby ste ho mali pod kontrolou.
- 4.6 PRIPOJENIE NA DVE SRD SO 100 % ISTENÍM:** Keď sú dve SRD pripevnené vedľa seba na zadnej časti celotelového postroja, systém na zadržanie pádu SRD možno použiť na nepretržitú ochranu proti pádu (100 % istenie) pri vzostupe, zostupe alebo pohybe do strán (pozri obrázok 15). S podperou záchranného lana jedného SRD pripevneného k upevňovaciemu bodu sa môže pracovník presunúť na nové miesto, pripojiť nepoužívanú podperu záchranného lana iného SRD k inému upevňovaciemu bodu, a potom sa odpojiť od pôvodného upevňovacieho bodu. Postup sa opakuje, kým pracovník nedosiahne požadované miesto. Dôležité informácie ohľadom aplikácií s dvoma SRD a 100 % podviazaním zahŕňajú nasledujúce:
- Nikdy nepripájajte obidve laná SRD k tomu istému kotviacemu bodu (pozrite si obrázok 16A).
 - Pripojenie viac ako jedného konektora k jedinému upevňovaciemu bodu (krúžok alebo oko) môže ohroziť kompatibilitu spojenia v dôsledku interakcie medzi konektormi a neodporúča sa.
 - Pripojenie každého lana SRD k samostatnému kotviacemu bodu je prípustné (obrázok 16B).
 - Každé miesto pripojenia musí samostatne udržať 10 kN (2 248 libier) alebo musí predstavovať technický systém, rovnako ako pri horizontálnom záchrannom lane.
 - Nikdy nepripájajte viac ako jednu osobu naraz k systému s dvoma SRD (obrázok 16C).
 - Nedovoľte, aby sa laná zamotali alebo stočili dokopy, pretože to môže brániť v ich navíjaní.
 - Počas používania nedovoľte, aby niektoré lano prechádzalo pod ramenami alebo medzi nohami.
- 4.7 INŠTALÁCIA DVOCH SRD NA CHRBTOVÝ D-KRÚŽOK:** Modely s trojčinnou karabínou možno nainštalovať na chrbtový D-krúžok v dvojitej konfigurácii. Inštalácia dvoch SRD na chrbtový krúžok postroja (obrázok 13):
- 1. Otvorte trojčinnú karabínu:** Keď je trojčinná karabína orientovaná podľa obrázka, zatlačte poistnú manžetu (C) doprava a potom ju otočte v smere hodinových ručičiek na odistenie uzáveru (D). Sklopte uzáver (D) nadol, aby ste ho otvorili.
 - 2. Navlečte prvé SRD do trojčinnej karabíny:** Vložte prednú časť konektora (E) cez oko otočného čapu (F) na SRD a potom otočte SRD okolo konca s uzáverom konektora (G). Uzáver možno zatvoriť, aby vznikla medzera na oko otočného čapu medzi uzáverom a trňom konektora.
 - 3. Pridajte druhé SRD na trojčinnú karabínu:** Nasuňte oko otočného čapu na SRD (F) na prednú časť konektora (E).
 - 4. Prevlečte trojčinnú karabínu cez D-krúžok:** Vložte prednú časť konektora (E) cez chrbtový D-krúžok (A). Otáčajte konektor cez D-krúžok, kým uzáver nemožno zatvoriť.
 - 5. Zatvorte trojčinnú karabínu:** Uzáver (D) nechajte zatvorený a poistnú manžetu (C) otočte späť do zaistenej polohy.
- 4.8 HORIZONTÁLNE SYSTÉMY:** Pri aplikáciách, pri ktorých sa SRD používa spolu s horizontálnym systémom (t. j. horizontálne záchranné lano, I-nosníky a vozíky), musia byť SRD a horizontálny systém kompatibilné. Horizontálne systémy musia byť navrhnuté a inštalované pod dozorom kvalifikovaného technika. Bližšie informácie nájdete v pokynoch od výrobcu zariadenia horizontálneho systému.

Hodnoty voľného priestoru pre pády na obrázku 4 vychádzajú z kotvenia k pevnému stabilnému kotviacemu bodu a nevzťahujú sa na kotvenie na systém horizontálneho záchranného lana (HLL). Preštudujte si návod na používanie horizontálneho záchranného lana a obráťte sa na technika systému HLL, aby ste určili požadovaný voľný priestor pre pády.

5.0 Kontrola

- 5.1 RFID ČIP:** Súčasťou samonavíjacieho zariadenia je rádiový identifikačný čip (RFID) (pozri obrázok 17). RFID čip sa môže použiť s ručným čítacím zariadením a webovým portálom na zjednodušenie kontroly a riadenia skladových zásob na evidenciu zariadení na ochranu proti pádu. Údaje vám poskytne pracovník služieb zákazníkom spoločnosti 3M (pozrite si zadnú stranu). Pri prenose údajov do svojho webového denníka postupujte podľa pokynov dodaných s ručným čítacím zariadením alebo uvedených na webovom portáli.
- 5.2 INTERVAL KONTROLY:** Samonavíjacie zariadenie sa musí kontrolovať v intervaloch, ktoré sú definované v časti 2. Postupy kontrol sú popísané v časti „Záznam o kontrole a údržbe“ (tabuľka 3).

Extrémne pracovné podmienky (drsne prostredia, dlhodobé používanie a pod.) si môžu vyžadovať skrátené intervaly kontrol (pozri tabuľku 2).

- 5.3 STAVY ZHORŠENEJ BEZPEČNOSTI ALEBO POŠKODENIA:** Ak sa pri kontrole zistí, že stav zariadenia nie je bezpečný alebo je chybný, SRD okamžite prestaňte používať a zlikvidujte ho (pozri časť 6).

Opravy tohto zariadenia môže vykonávať len 3M alebo strany, ktoré majú písomné oprávnenie na vykonávanie opráv tohto zariadenia.

- 5.4 ŽIVOTNOSŤ PRODUKTU:** Funkčnú životnosť samonavíjajúcich zariadení 3M určujú pracovné podmienky a údržba. Keď tento výrobok splní kritériá kontroly, môže sa ďalej používať (do uplynutia maximálnej životnosti produktu). Maximálna životnosť SRD so záchrannými lanami z textilnej tkaniny je 10 rokov od dátumu výroby.

6.0 ÚDRŽBA, SERVIS a SKLADOVANIE

- 6.1 ČISTENIE:** Postupy čistenia pre SRD sú nasledujúce:

- Vonkajšie časti SRD pravidelne čistite vodou a jemným mydlovým roztokom. Uložte SRD zariadenie tak, aby mohla odtekať prebytočná voda. Podľa potreby vyčistite štítky.
- Tkaninové záchranné lano čistite vodou a jemným mydlovým roztokom. Opláchnite ho a nechajte úplne uschnúť na vzduchu. Nepoužívajte na zrýchlenie schnutia ohrev. Skôr ako umožníte záchrannému lanu vziať sa do puzdra, nechajte ho vyschnúť. Nadmerné usadeniny špiny, farby alebo iných nečistôt môžu brániť pri úplnom navíjaní záchranného lana do puzdra, čo môže spôsobiť nebezpečenstvo voľného pádu.

- 6.2 SERVIS:** SRD nemožno opravovať. Ak bolo SRD vystavené silám pádu alebo kontrola odhalí nebezpečné alebo chybné podmienky, vyradte SRD z prevádzky a zlikvidujte ho (pozri časť „Likvidácia“).

- 6.3 SKLADOVANIE A DOPRAVA:** SRD skladujte a prepravujte v chladnom, suchom a čistom prostredí na mieste, kde nie je vystavené priamemu slnečnému žiareniu. Vyhnite sa priestorom s možnosťou výskytu chemických výparov. SRD starostlivo skontrolujte po každom dlhšom skladovaní.

- 6.4 LIKVIDÁCIA:** SRD zlikvidujte, pokiaľ bolo vystavené silám pôsobiacim pri páde alebo pokiaľ kontrola zistí nebezpečný či chybný stav. Pred likvidáciou SRD rozrežte záchranné lano na polovicu alebo iným spôsobom poškodte SRD, aby ste zabránili možnosti neúmyselného opätovného použitia.

7.0 Štítky

Obrázok 22 zobrazuje štítky na samonavíjajúcich zariadeniach a miesta, kde sa nachádzajú. Na zariadení SRD sa musia nachádzať všetky štítky. Piktogramy na štítkoch majú tento význam:

1	Skontrolujte karabínu a indikátor dopadu
2	Skontrolujte blokovaciu funkciu zachytávača SRL
3	Správny spôsob pripojenia zachytávača SRL k postroju
4	Ostré hrany nie sú certifikované. Je možné ho pripojiť k upevňovaciemu bodu nad, pod alebo na jednej úrovni s chrbtovým D-krúžkom (maximálne 140 kg).
5	Teplotný rozsah použitia -40 °C až +60 °C
6	Maximálna nosnosť 140 kg
7	Zaistite vždy kontrolované navíjanie záchranného lana späť do zachytávača SRL
8	Neopravujte
9	Skladujte v chladnom, suchom a čistom prostredí, mimo dosahu priameho slnečného žiarenia.
10	Nezaťažujte cez hranu
11	Neodstraňujte štítky

Tabuľka 3 – Protokol kontroly a údržby

Sériové číslo (-a):		Dátum nákupu:	
Číslo modelu:		Dátum prvého použitia:	
Dátum kontroly:		Kontroloval:	
Komponent:	Kontrola: (Informácie o frekvencii kontrol nájdete v časti 2.)	Vyhovuje	Nevyhovuje
SRD (Obrázok 18)	Skontrolujte, či nie sú uvoľnené upínadlá a ohnuté alebo poškodené diely.	<input type="checkbox"/>	<input type="checkbox"/>
	Skontrolujte deformácie, praskliny alebo iné poškodenia puzdra (A).	<input type="checkbox"/>	<input type="checkbox"/>
	Skontrolujte, či otočný čap (B) a oko otočného čapu (C) alebo integrovaný konektor (D) nevykazujú známky skrivenia, prasklín alebo iného poškodenia. Otočný čap musí byť pevne pripojený k SRL, mal by sa však voľne otáčať. Oko otočného čapu a integrovaný konektor by sa mali v otočnom čape voľne otáčať.	<input type="checkbox"/>	<input type="checkbox"/>
	Tkanivové záchranné lano (E) by sa malo vytiahnuť a navinúť späť úplne bez zadierania a bez uvoľneného lana.	<input type="checkbox"/>	<input type="checkbox"/>
	Uistite sa, že sa zachytávač SRD pri prudkom trhnutí zablokuje. Pri zablokovaní nesmie dochádzať k preklzávaniu.	<input type="checkbox"/>	<input type="checkbox"/>
	Všetky štítky musia byť prítomné a dokonale čitateľné (pozri obrázok 20).	<input type="checkbox"/>	<input type="checkbox"/>
	Skontrolujte známky korózie na celom zachytávači SRD.	<input type="checkbox"/>	<input type="checkbox"/>
Koncové konektory (Obrázok 19)	Tabuľka 2 označuje koncové konektory, ktoré môžu byť súčasťou vášho modelu Nano-Lok SRD. Skontrolujte známky poškodenia, korózie a správny prevádzkový stav všetkých samosvorných hákov, karabín, poistných spojok, pripojení atď. Ak sú súčasťou výbavy: Uzávery sa majú riadne otvárať, zatvárať, zaisťovať a odisťovať a poistné tlačidlá a poistné kolíky majú fungovať správne.	<input type="checkbox"/>	<input type="checkbox"/>
Tkaninové záchranné lano (Obrázok 20)	Skontrolujte sieťovinu. Tkanina musí byť bez prerezaných (A), rozstrapkaných (B) alebo zlomených vlákien. Skontrolujte roztrhnutia, odretia, výrazné zašpinenie (C), pleseň, spálenia (D) alebo odfarbenia. Skontrolujte stehy, či nie sú vytiahnuté alebo prerezané. Pretrhnuté stehy môžu naznačovať, že postroj bol preťažený a treba ho z prevádzky odstrániť.	<input type="checkbox"/>	<input type="checkbox"/>
Pohlčovač energie (Obrázok 21)	Skontrolujte, či sa neaktivoval celý pohlčovač energie. Aktiváciu pohlčovača energie naznačuje roztrhnutý kryt (A), sieťovina vytiahnutá z krytu, roztrhnutá alebo rozstrapkaná sieťovina (B), roztrhané stehy atď.	<input type="checkbox"/>	<input type="checkbox"/>
Nápravné opatrenie/údržba:	Schválil:		
	Dátum:		
Nápravné opatrenie/údržba:	Schválil:		
	Dátum:		
Nápravné opatrenie/údržba:	Schválil:		
	Dátum:		
Nápravné opatrenie/údržba:	Schválil:		
	Dátum:		
Nápravné opatrenie/údržba:	Schválil:		
	Dátum:		
Nápravné opatrenie/údržba:	Schválil:		
	Dátum:		
Nápravné opatrenie/údržba:	Schválil:		
	Dátum:		

VARNOSTNE INFORMACIJE

Preden uporabite to samopovratno varovalno napravo ((Self-Retracting Device, SRD), prosimo, da preberete, razumete prebrano in upoštevate vse varnostne informacije, ki jih vsebuje ta priročnik. NEUPOŠTEVANJE LAHKO POVZROČI HUDE TELESNE POŠKODBE ALI SMRT.

Navodila je treba posredovati uporabniku opreme. Te informacije vedno hranite na priročnem mestu.

Predvidena uporaba:

Ta samopovratna varovalna naprava je namenjena za uporabo kot sestavni del celotnega sistema za zaščito pri padcu oseb.

Podjetje 3M ne odobrava uporabe za katere koli druge namene, kar med ostalimi vključuje prenašanje materialov, rekreativne ali športne dejavnosti oziroma druge dejavnosti, ki niso opisane v Navodilih za uporabnike, saj lahko neupoštevanje navedene namembnosti povzroči hude telesne poškodbe ali smrt.

To napravo sme uporabljati samo usposobljen uporabnik pri izvajanju del na delovnem mestu.

! OPOZORILO

Ta samopovratna varovalna naprava je sestavni del celotnega sistema za zaščito pri padcu oseb. Pričakuje se, da so vsi uporabniki podrobno seznanjeni in usposobljeni za varno namestitvev in delovanje svojega sistema za zaščito pri padcu oseb. **Nepravilna uporaba te naprave lahko povzroči hude telesne poškodbe ali smrt.** Za pravilno izbiro, delovanje, namestitvev, vzdrževanje in servisiranje glejte ta Navodila za uporabnike in vsa priporočila proizvajalca, se posvetujte z nadrejenim ali se obrnite na Tehnične storitve podjetja 3M.

- **Da ne bi prišlo do hude telesne poškodbe ali smrti pri delu s samopovratnimi varovalnimi napravami, morate upoštevati pravila za zmanjševanje tveganj, ki zahtevajo naslednje:**
 - Pred vsako uporabo preglejte samopovratno varovalno napravo in preverite, ali zaklepanje in poteg nazaj delujeta pravilno.
 - Če pri pregledu stanja naprave ugotovijo, da ni varna ali da je pomanjkljiva, jo umaknite iz uporabe in popravite ali zamenjajte, odvisno od zahtev v Navodilih za uporabnike.
 - Samopovratno varovalno napravo, ki je bila izpostavljena silam pri zaustavitvi padca ali sili udarca, morate nemudoma prenehati uporabljati in označiti z napisom »NEUPORABNO«.
 - Zagotovite, da je reševalna vrv pravilno vzdrževana in da pri izvlečenju in potegu nazaj ni nobenih ovir, kar med drugim vključuje: zapletanje s stroji za zemeljska dela ali z opremo (npr. zgornji pogon naftne ploščadi), z drugimi delavci, z vašo lastno opremo, okoljskimi objekti ali nevarnost udarca od vzdignjenih predmetov, ki lahko padejo na reševalno vrv ali delavca.
 - Nikoli ne smete dovoliti, da so deli reševalne vrvi ohlapni (mora biti po celi dolžini napeta). Reševalne vrvi ne zavezuje ali volzajte.
 - Neuporabljeni/-e krak/-e vrvi samopovratne varovalne naprave, ki je nameščena na varovalno-pozicijski pas za celotno telo, pritrdite na varnostne zaponke, če je opremljen z njimi.
 - Ne smete uporabljati na mestih, na katerih na poti padca obstajajo ovire. Pri delu s počasi premikajočim se materialom, kot so zrnate snovi ali pesek, ali pri delu v omejenih ali utesnjenih prostorih, morda delavec pri padcu ne bo pridobil zadostne hitrosti, da se sproži zaklepanje samopovratne varovalne naprave (SRD). Da bi se samopovratna varovalna naprava (SRD) pri padcu varno zaklenila, je treba zagotoviti prazen prostor na poti padca.
 - Pri pravilnem delu se je treba izogibati sunkovitim in hitrim premikom. To lahko povzroči, da se naprava zaklene.
 - Za sisteme/podsisteme za zaščito pred padcem, ki so sestavljeni iz komponent različnih izdelovalcev, zagotovite, da so vse komponente med sabo združljive in da izpolnjujejo zahteve ustreznih standardov, vključno s standardom ANSI Z359 ali z drugimi ustreznimi predpisi, standardi ali zahtevami v zvezi z zaščito pred padcem. Pred uporabo teh sistemov se vedno posvetujte s pristojno in/ali kvalificirano osebo.
- **Če želite zmanjšati tveganja, ki so povezana z delom na višini in lahko povzročijo hude telesne poškodbe ali smrt, če se jih ne prepreči, morate storiti naslednje:**
 - Zagotovite, da vam zdravje in fizična pripravljenost dovoljujeta, da varno delate in zdržite vse sile, ki ste jim izpostavljeni pri delu na višini. Če ste v dvomih glede svoje sposobnosti, da uporabljate to opremo, se posvetujte s svojim zdravnikom.
 - Nikoli ne smete preseči dopustne nosilnosti svoje opreme za zaščito pred padcem.
 - Nikoli ne smete preseči maksimalne razdalje prostega padca, ki je določena za vašo opremo za zaščito pred padcem.
 - Ne smete uporabiti opreme, za katero je bilo pri strokovnem pregledu pred uporabo ali pri drugem pregledu v okviru načrtovanih vzdrževalnih del ugotovljeno, da ne izpolnjuje pogojev za varno delo, ali če menite, da vaša oprema ne ustreza pogojem vašega delovnega mesta. Za vsa vprašanja se obrnite na Tehnične storitve podjetja 3M.
 - Kombinacije nekaterih podsistemov in sestavnih delov lahko ovirajo delovanje opreme. Uporabljajte samo združljive priključke. Pred uporabo opreme v kombinaciji s sestavnimi deli ali podsistemi, ki niso opisani v Navodilih za uporabnike, se posvetujte s podjetjem 3M.
 - Upoštevajte dodatne varnostne ukrepe, ko delate v bližini strojev za zemeljska dela (npr. zgornji pogon oljne ploščadi), visokonapetostnih električnih vodnikov, visoke temperature, nevarnih kemikalij, eksplozivnih ali strupenih plinov, ostrih robov ali gradbenih materialov pri delu na višini, ki lahko padejo na vas ali na vašo opremo za zaščito pred padcem.
 - Ko delate v okoljih z visoko toploto, uporabljajte naprave za zaščito pred prebojnim vžigom ali naprave za zaščito pri varjenju, rezanju ali odprtem plamenu.
 - Izogibajte se površinam in predmetom, ki lahko poškodujejo uporabnika ali opremo.
 - Pri delu na višini zagotovite ustrezen prazen prostor na poti padca.
 - Svoje opreme za zaščito pred padcem nikoli ne smete spreminjati ali predelati. Popravila te opreme lahko izvaja samo podjetje 3M ali oseba, ki je od podjetja 3M pridobila pisno pooblastilo.
 - Pred uporabo opreme za zaščito pred padcem preverite, ali je izdelan načrt reševanja pri morebitnem padcu, ki zagotavlja takojšnje reševanje, če pride do padca.
 - Če se zgodi nesreča s padcem, nemudoma poiščite zdravniško pomoč za ponesrečenega delavca.
 - Za zaustavitev padca ne smete uporabiti jermena, nameščenega samo okrog pasu. Uporabljajte samo varovalno-pozicijski pas za celotno telo.
 - Nevarnost padcev z nihanjem lahko zmanjšate tako, da delate neposredno pod sidriščno točko.
 - Ko uporabljate to napravo pri usposabljanju delavca, morate uporabiti sekundarno zaščito pred padcem na način, ki delavca, ki se še uči, ne bo izpostavil nevarnosti neželenega padca.
 - Ko nameščate, uporabljate ali pregledujete napravo/sistem, si vedno nadenite osebno varovalno opremo.

Pred uporabo te opreme si z ID-nalepke v Dnevnik za preglede in vzdrževanje, ki je na koncu tega priročnika, prepisite identifikacijske podatke izdelka.

OPIS:

Slika 2 prikazuje osnovne sestavne dele samopovratnih varovalnih naprav (SRD) Nano-Lok 3M™ DBI-SALA®. Samopovratne varovalne naprave (SRD) Nano-Lok so sestavljene iz pletene rešilne vrvi, navite na boben (A), z vgrajenim blažilnikom udarcev (B); rešilna vrv se samodejno uvleče v poliamidno ohišje (C). Vrtljivo ušesce (D) na vrhu ohišja omogoča povezavo z ustrezno sidrno točko z vponko (E) ali pripenjanje na varovalno-pozicijske trakove za celotno telo z uporabo vmesnika za varovalno-pozicijske trakove (F). Slika 1 prikazuje razpoložljive modele Nano-Lok in konfiguracije njihovih priprav za spenjanje. Glejte preglednico 1 za tehnični opis samopovratne varovalne naprave (SRD) Nano-Lok in njenih priprav za spenjanje.

Preglednica 1 – Specifikacije

Tehnični opis sestavnih delov:

Ohišja za samouvlečno rešilno vrv (SRL)	Najlon
Boben	Poliamid
Notranji sestavni deli	Nerjaveče jeklo, aluminij
Pletena rešilna vrv	Poliester Dyneema
Blažilnik udarcev	Ohišje: Nitrilna guma, mreža: Poliester, šivi: Nit iz poliestra ali poliamida
Vrtljivi tečaj	Galvansko cinkano jeklo

Tehnični opis priprav za spenjanje:

	Opis	Material	Odprtina zapirala	Trdnost zapirala	Natezna trdnost
①	Očesni vijak	Jeklo	22,35 mm (0,88 palca) notranji premer	X	22,2 kN (5000 funtov)
②	Karabin	Aluminij	19 mm (3/4 palca)	16 kN (3600 funtov)	22,2 kN (5000 funtov)
③	Karabin	Jeklo	19 mm (3/4 palca)	16 kN (3600 funtov)	22,2 kN (5000 funtov)
④	Vmesnik za enojno samopovratno varovalno napravo (SRD)	Jeklo	51 mm (2 palca)	16 kN (3600 funtov)	22,2 kN (5000 funtov)
⑤	Vmesnik za dvojno samopovratno varovalno napravo (SRD)	Jeklo z dodatkom poliamida	19 mm (3/4 palca)	16 kN (3600 funtov)	22,2 kN (5000 funtov)
⑥	Karabin	Aluminij, jeklo	56 mm (2,19 palca)	16 kN (3600 funtov)	22,2 kN (5000 funtov)
⑦	Karabin	Aluminij	19 mm (3/4 palca)	16 kN (3600 funtov)	22,2 kN (5000 funtov)
⑧	Ojačena vponka-kavelj (rebar)	Aluminij	57 mm (2 1/4 palca)	16 kN (3600 funtov)	22,2 kN (5000 funtov)
⑨	Ojačena vponka-kavelj (rebar)	Aluminij	63 mm (2 1/2 palca)	16 kN (3600 funtov)	22,2 kN (5000 funtov)
⑩	Karabin	Aluminij	52 mm (2 palca)	16 kN (3600 funtov)	22,2 kN (5000 funtov)
⑪	Ojačena vponka-kavelj (rebar)	Aluminij, jeklo	63 mm (2 1/2 palca)	16 kN (3600 funtov)	22,2 kN (5000 funtov)
⑫	Karabin	Jeklo	19 mm (3/4 palca)	16 kN (3600 funtov)	22,2 kN (5000 funtov)
⑬	Ojačena vponka-kavelj (rebar)	Aluminij	57 mm (2 1/4 palca)	16 kN (3600 funtov)	22,2 kN (5000 funtov)
⑭	Zaskočna vponka-kavelj	Jeklo	19 mm (3/4 palca)	16 kN (3600 funtov)	22,2 kN (5000 funtov)

Specifikacija zmogljivosti:

Specifikacije samouvlečne rešilne vrvi (SRL) (vertikalna)	Modeli CE	
	59–100 kg (130–220 funtov)	100–140 kg (220–310 funtov)
Razpon nosilnosti	59–100 kg (130–220 funtov)	100–140 kg (220–310 funtov)
Največja sila zaviranja pri padcu	6 kN (1350 funtov)	6 kN (1350 funtov)
Povprečna sila zaviranja pri padcu	4 kN (900 funtov)	4 kN (900 funtov)
Navedena največja razdalja pri preprečitvi padca ¹	0,61 m (24 palcev)	0,61 m (24 palcev)
Minimalna zahtevana prosta pot padca ¹	1,5 m (5 čevljev)	1,8 m (5,8 čevljev)
Maksimalen prosti pad ²	1,5 m (5 čevljev)	1,5 m (5 čevljev)

¹ – Domneva, da je SRL nameščena neposredno nad končnim uporabnikom (nad glavo).

² – Merjeno od uporabnikove D-vponke do površine za hojo/delovne površine. Za podrobnosti glejte preglednico/-e proste poti padca.

1.0 OBSEG UPORABE

- 1.1 NAMEN:** Samopovratne varovalne naprave (SRD) so izdelane kot del osebnega sistema za zaustavitev padca (PFAS). Slika 1 prikazuje samopovratne varovalne naprave (SRD), ki so obravnavane v teh navodilih za uporabo. Uporabijo se lahko v večini situacij, kjer je potrebna kombinacija mobilnosti delavca in zaščite pred padcem (tj. pregledi opreme, splošno gradbeništvo, vzdrževalna dela, proizvodnja nafte, delo v utesnjemem prostoru ipd.).
- 1.2 STANDARDI:** Vaša samopovratna varovalna naprava (SRD) je v skladu z državnimi ali regijskimi standardi, ki so navedeni na prvi strani tega priročnika. Za dodatne informacije glede osebne zaščite pred padcem glejte lokalne, državne in zvezne (OSHA) zahteve, ki urejajo varnost pri delu.
- 1.3 USPOSABLJANJE:** To opremo lahko uporabljajo osebe, ki so usposobljene za pravilno uporabo. Uporabnikova odgovornost je, da zagotovi, da je seznanjen s temi navodili in usposobljen za pravilno ravnanje s to opremo in njeno uporabo. Uporabniki morajo biti seznanjeni z značilnostmi delovanja, omejitvami in posledicami neustrezne uporabe te opreme.
- 1.4 OMEJITVE:** Pri nameščanju ali uporabi te opreme vedno upoštevajte spodnje omejitve:

- **Nosilnost:** Samopovratne varovalne naprave (SRD) so namenjene uporabi s strani ene osebe s skupno težo (oblačila, orodje itd.), ki ustreza *razponu nosilnosti*, določenem v preglednici 1. Zagotovite, da imajo vsi deli vašega sistema nazivne nosilnosti, ki ustrezajo vašemu načinu uporabe.
- **Sidrišče:** Struktura sidrišča za samopovratno varovalno napravo (SRD) mora omogočiti nosilnost za bremena do 12 kN (2697 funtov). Sidrne naprave morajo biti v skladu s standardom EN795 ali drugimi veljavnimi standardi za priključek sidrišča.
- **Hitrost zaklepanja:** Situacije, v katerih ni mogoče zagotoviti proste poti za padec, je treba preprečiti. Pri delu v omejenih ali utesnjenih prostorih oziroma na nagnjenih površinah morda uporabnik pri padcu ne bo pridobil zadostne hitrosti, da se sproži zaklepanje samopovratne varovalne naprave (SRD). Pri delu s počasi premikajočim se materialom, kot sta zrnate snovi ali pesek, morda uporabnik pri padcu ne bo pridobil zadostne hitrosti, da se sproži zaklepanje samopovratne varovalne naprave (SRD). Da bi se samopovratna varovalna naprava (SRD) pri padcu varno zaklenila, je treba zagotoviti prazen prostor na poti padca.
- **Prosti pad:** Če je sidrišče nad glavo, bo samopovratna varovalna naprava (SRD) omejila razdaljo za prosti padec na 0,6 m (2 čevlja)¹. Da bi preprečili večje razdalje padca, postavite samopovratno varovalno napravo (SRD) neposredno nad delovni nivo. Nikoli ne pritrdite samopovratne varovalne naprave (SRD) na sidrno točko, ki ustvari prosti pad, daljši od 1,5 m (5 čevljev). Izogibajte se delu, kjer bi se vaša rešilna vrv prekrizala ali zavozlala z reševalno vrvjo drugega delavca. Izogibajte se delu, kjer obstaja možnost, da predmet pade in zadane reševalno vrv, saj lahko s tem izgubite ravnotežje ali poškodujete reševalno vrv. Ne dovolite, da bi reševalna vrv potekala pod rokami ali med nogami. Nikoli ne priklaplajte, vozljajte reševalne vrvi ali preprečujte, da bi se ta uvlekla ali ne bila napeta. Preprečite nenapetost vrvi. **Samopovratne varovalne naprave (SRD) ne smete spreminjati tako, da pripnete dodatno vrv ali kakšen drug del opreme brez predhodnega posvetovanja s podjetjem 3M.**
- **Padci z nihanjem:** Do padcev z nihanjem pride, ko sidrna točka ni postavljena neposredno nad točko, na kateri se opravlja delo. Sila trka ob predmet pri padcu z nihanjem lahko povzroči hude poškodbe (glejte sliko 3A). Nevarnost padcev z nihanjem lahko zmanjšate tako, da delate čim bolj pod sidriščno točko, kot je mogoče (slika 3B). Če delo poteka stran od sidriščne točke (slika 3C), se poveča udarec pri padcu z nihanjem ter potreben prazen prostor na poti padca (FC).
- **Prazen prostor na poti padca:** Slika 3B prikazuje izračun praznega prostora na poti padca. Prazen prostor na poti padca (FC) je vsota prostega pada (FF), razdalje upočasnjevanja (DD) in varnostnega faktorja (SF): $FC = FF + DD + SF$. Pomik vponke v obliki črke D in raztezek varovalnega pasu sta vključena v varnostni faktor. Vrednosti praznega prostora na poti padca so bile izračunane in so navedene na sliki 4. Varnostni faktor 1 m (3,28 čevlja) je bil uporabljen pri vseh vrednostih na sliki 4.

Slika 4 prikazuje prazen prostor na poti padca (FC) na podlagi vodoravne (H) in navpične (V) razdalje med hrbtnim priključkom samopovratne varovalne naprave (SRD) in sidriščno točko. Vsaka vodoravna mrežna črta na diagramih predstavlja navpično razdaljo od sidriščne točke. Vsaka navpična mrežna črta predstavlja vodoravno razdaljo od sidriščne točke. Vrednost praznega prostora na poti padca je določena z območjem (parabolične črte), v katerem se vodoravna (H) in navpična (V) črta sekata. Primer na sliki 4 prikazuje, kako se določi potreben prazen prostor na poti padca (FC) za navedeni navpične (V) in vodoravne (H) razdalje.

Spremenljive sidrne točke: Prazni prostori na poti padca na sliki 4 temeljijo na togi, mirujoči sidrni točki. Pri sidranju na horizontalno reševalno vrv (HLL) ali sidrno točko, ki se lahko med padcem premakne, zdrsne ali deformira, ne veljajo vrednosti praznega prostora na poti padca iz slike 4. Za dodatne podrobnosti glede potrebnih praznih prostorov na poti padca, odklonov in/ali deformacije glejte navodila za horizontalno reševalno vrv (HLL) ali sidrišče.

Klečanje ali čepenje: Pri diagramih praznega prostora na sliki 4 se domneva, da je delavec v stoječem položaju. Če uporabnik kleči ali čepi, je potrebnega dodatnega 0,9 m (3 čevlje) praznega prostora na poti padca.

Nikoli ne sidrajte pod nogami: Nikoli ne priključite na sidriščno točko pod svojimi nogami.

- **Nevarnosti:** Uporaba te opreme v območjih z okoljskimi nevarnostmi lahko zahteva dodatno previdnost, da zmanjšate možnosti poškodb uporabnika ali škode na opremi. Nevarnosti med drugim vključujejo: visoke temperature, jedke kemikalije, korozivno okolje, visokonapetostne električne vodnike, eksplozivne ali strupene pline, stroji za zemeljska dela, gradbeni material pri delu na višini, ki lahko pade na uporabnika, ali sistem za zaustavljanje padca. Izogibajte se delu, kjer bi se vaša rešilna vrv prekrizala ali zavozlala z reševalno vrvjo drugega delavca. Izogibajte se delu, kjer obstaja možnost, da predmet pade in zadane reševalno vrv, saj lahko s tem izgubite ravnotežje ali poškodujete reševalno vrv. Ne dovolite, da bi reševalna vrv potekala pod rokami ali med nogami.
- **Ostri robovi:** Ostri robovi, ki se jih reševalna vrv, ki je vpeta na samopovratno varovalno napravo (SRD), lahko dotakne med padcem, morajo imeti polmer najmanj 0,3 cm (0,125 palca). Kjer je stik z ostrim robom neizogiben, pokrijte rob z zaščitnim materialom.

¹ **Prosti pad:** S pravilno uporabo samopovratne varovalne naprave (SRD), pri kateri uporabnik dela neposredno pod sidrno točko, reševalna vrv pa ni ohlapna, se odpravi prosti pad. Glejte sliko 4 za sprejemljive lokacije sidrišč.

2.0 Uporaba sistema

- 2.1 NAČRT ZAŠČITE PRED PADCEM IN REŠEVANJA:** Delodajalec mora imeti načrt zaščite pred padcem in reševanja. Načrt mora podajati smernice in zahteve za program zaščite pred padcem, s katero upravlja delodajalec, vključno s pravilniki, dolžnostmi in usposabljanjem, postopke zaščite pred padcem, odpravljanje in obvladovanje nevarnosti za padec, reševalne postopke, preiskave incidentov in ocenjevanje uspešnosti programa.
- 2.2 POGOSTOST PREGLEDOV:** Samopovratne varovalne naprave (SRDs) mora pred vsako uporabo pregledati pooblaščen oseba¹ ali reševalec² (glejte preglednico 3). Poleg tega mora pristojna oseba,³ ki ni uporabnik, opraviti dodatni pregled. Skrajni delovni pogoji (zahtevne razmere, podaljšana uporaba ipd.) bodo morda zahtevali pogostejše preglede, ki jih opravijo pristojne osebe. Pristojna oseba mora uporabiti *Razpored pregledov (preglednica 2)*, da določi primerne intervale pregleda. Postopki pregledov so opisani v *Dnevniku pregledov in vzdrževanja (preglednica 3)*. Rezultati pregledov, ki jih opravi pristojna oseba, morajo biti evidentirani v »Dnevniku pregledov in vzdrževanja« ali zapisani s sistemom za radiofrekvenčno identifikacijo (RFID) (glejte razdelek 5).
- 2.3 PRAVILNO DELOVANJE:** Pravilno delovanje omogoča, da se reševalna vrv neovirano izvleče po celotni dolžini in uvleče brez zrahljanja pri potegu nazaj, ko se delavec premika z običajno hitrostjo. Če pride do padca, se vklopi zavorni sistem za zaznavanje hitrosti, ki zaustavi padec in absorbira večino ustvarjene energije. Pri pravilnem delu se je treba izogibati sunkovitim in hitrim premikom, saj lahko ti povzročijo, da se samopovratna varovalna naprava (SRD) zaklene. Za padce, ki se pripetijo ob koncu reševalne vrvi, je vstavljen nadomestni sistem reševalne vrvi ali blažilnik padca, ki zmanjšuje sile, ki nastanejo ob ustavitvi padca.
- 2.4 PODPORA ZA TELO:** S samopovratno varovalno napravo morate uporabljati varovalno-pozicijski pas za celotno telo. Povezovalna točka pasov mora biti nad uporabnikovim težnostnim središčem. Jermen, nameščen samo okrog pasu, ni odobren pri uporabi samopovratne varovalne naprave. Če pride do padca ob uporabi jermena, nameščenega samo okrog pasu, se lahko jermen odpne ali pride do telesne poškodbe zaradi neustrezne podpore telesa.
- 2.5 ZDRUŽLJIVOST SESTAVNIH DELOV:** Če ni drugače navedeno, je oprema znamke 3M namenjena samo za uporabo z odobrenimi deli opreme in podsistemi znamke 3M. Nadomestna uporaba ali menjava delov s tistimi deli oziroma podsistemi, ki niso odobreni, lahko ogrozi združljivost opreme in lahko vpliva na varnost in zanesljivost celotnega sistema.
- 2.6 ZDRUŽLJIVOST VEZNIH ELEMENTOV:** Vezni elementi (priključki) veljajo za združljive s priključnimi elementi, ki so oblikovani za delo na način, pri katerem njihova velikost in oblika ne povzročata, da bi se zapiralni mehanizem nenamerno odprl, ne glede na to, kako so obrnjeni. Če imate vprašanja v zvezi z združljivostjo, se obrnite na podjetje 3M. Priprave za spenjanje (kavlji, karabini in vponke v obliki črke D) morajo imeti nosilnost vsaj 22,2 kN (5000 funtov). Priprave za spenjanje morajo biti združljive s sidriščem ali ostalimi sistemskimi komponentami. Ne uporabljajte opreme, ki ni združljiva. Nezdružljivi vezni elementi se lahko nenamerno odklopijo (glejte sliko 5). Priprave za spenjanje morajo biti združljive po velikosti, obliki in moči. Zahteva se uporaba samozaklepnih zaskočnih zapiral (kavljev) in karabinov (vponk). Če so priključni elementi, na katere se priključijo zaskočna zapirala ali karabini, premajhni ali nepravilne oblike, lahko pride do situacije, kjer priključni element pritiska na zaskočna zapirala ali vponko (A). Ta sila lahko povzroči, da se zapiralo odpre (B) in s tem zaskočno zapiralo ali karabin odklopi od točke poveztivosti (C).
- 2.7 POVEZOVANJE:** Zaskočna zapirala in karabini, ki se uporabljajo s to opremo, morajo biti samozaklepne. Preverite in zagotovite, da so vse priprave za spenjanje združljive po velikosti, obliki in moči. Ne uporabljajte opreme, ki ni združljiva. Preverite in se prepričajte, da so vse priprave za spenjanje v celoti zaprte in zaklenjene. Priprave za spenjanje znamke 3M (zaskočne kljuge in vponke) so oblikovane za uporabo samo na način, ki je določen v navodilih za uporabo posameznega izdelka. Glejte sliko 6 za primere neustreznih veznih elementov.

Ne povezujte zaskočnih zapiral in karabinov:

- Na D-sponko, na katero je priključen drug vezni element.
- na način, ki bi imel za posledico breme na zapiralo, Zaskočnih kljuk z odprtino velikega premera se ne sme vpeti v D-sponke standardne velikosti ali v druge sponke ali vponke, ker bo to pri sukanju in obračanju kljuge in D-sponke lahko povzročilo obremenitev zapornice zaskočne kljuge, razen če je kljuka opremljena z zapornico, ki prenese silo 16 kN (3600 funtov).
- Pri napačni priključitvi, pri kateri velikost ali oblika pripadajočih priključkov nista združljivi, priključki pa so brez vizualne potrditve videti v celoti priključeni.
- Drug na drugega.
- Neposredno na trakove ali vrv z vponkami ali na pritrdilno točko (razen če je v navodilih proizvajalca za vrv z vponkami in tudi za vezni element izrecno dovoljena takšna povezava).
- Na predmet, ki je oblikovan tako, da se zaskočna kljuka ali vponka ne bosta zapirala in zaklenila, ali pri katerem lahko pride do odprtja.
- Na način, ki veznemu elementu ne omogoča, da se ustrezno naravna, kadar je pod obremenitvijo.

Preglednica 2 – Razpored pregledov

Tip uporabe	Primeri uporabe	Pogoji uporabe	Pogostost pregledov
			Pristojna oseba
Redkejša svetloba	Prostorsko omejeno območje, tovarniško vzdrževanje	Dobri pogoji skladiščenja, notranja in občasna zunanja uporaba, sobna temperatura, čisto okolje	Letno
Srednje do težko	Transport, stanovanjske gradnje, ustanove, skladišče	Ugodni pogoji skladiščenja, notranja in podaljšana zunanja uporaba, vse temperature, čista ali prašna okolja	Polletno do letno
Močno do neprekinjeno	Komercialne gradnje, nafta in plin, rudarstvo	Težki pogoji skladiščenja, podaljšana ali neprekinjena uporaba na prostem, vse temperature, umazano okolje	Četrtno do polletno

1 Pooblaščen oseba: Oseba, ki jo delodajalec določi za opravljanje dolžnosti na lokaciji, kjer se lahko pričakuje, da bo oseba bila izpostavljena nevarnosti padca.

2 Reševalec: Oseba ali osebe, ki se ne rešujejo, vendar pomagajo pri reševanju v skladu z reševalnim sistemom.

3 Pristojna oseba: Posameznik, ki ga določi delodajalec, odgovoren za neposredni nadzor, izvajanje in spremljanje programa zaščite pred padci, s katero upravlja delodajalec, in ki s svojo usposobljenostjo in znanjem lahko ugotovi, oceni in obravnava obstoječe in potencialne nevarnosti za padce, ter ima pooblastilo delodajalca, da sprejme takojšnje korektivne ukrepe v zvezi s takšnimi nevarnostmi.

3.0 Namestitvev

- 3.1 NAČRTOVANJE:** Preden začnete z delom, izdelajte načrt sistema za zaščito pred padcem. Upoštevajte vse dejavnike, ki bi lahko vplivali na vašo varnost pred padcem, med njim in po njem. Obravnavajte vse zahteve in omejitve, opisane v razdelku 2.

Za večino načinov uporabe je dovoljena povezava samopovratne varovalne naprave Nano-Lok (Nano-Lok SRD) s sidriščem ali hrbtno vponko varovalno-pozicijskih trakov za telo. Napravo lahko obrnete v katero koli smer, razen kot je omenjeno v razdelku 4

- 3.2 SIDRIŠČE:** Slika 7 prikazuje tipične povezave samopovratne varovalne naprave (SRD) s sidrno točko. Lokacijo za sidrno točko izberite tako, da zagotovite najmanjšo nevarnost za prosti padec in padec z nihanjem (glejte razdelek 1). Izberite solidno sidrno točko, ki lahko zdrži statične obremenitve, določene v razdelku 1. Kjer sidranje nad glavo ni mogoče, lahko samopovratne varovalne naprave (SRD) Nano-Lok zavarujete na sidriščno točko pod nivojem uporabnikove hrbtno vponke v obliki črke D. Za uporabnike težke do 140 kg (310 funtov), sidriščna točka ne sme biti več kot 1,5 m (5 čevljev) pod hrbtno vponko v obliki črke D.

- 3.3 NAMESTITEV VAROVALNO-POZICIJSKIH TRAKOV:** Nekateri modeli samopovratne varovalne naprave (SRD) vključujejo enojni ali dvojni vmesnik za pripenjanje trakov samopovratne varovalne naprave (SRD) na varovalno-pozicijske trakove za celotno telo tik pod hrbtno D-vponko:

Nekateri varovalno-pozicijski trakovi za celotno telo so opremljeni z »opremo za povezavo oseb s samopovratno varovalno napravo« (PSRL Link), ki vsebuje hrbtno D-vponko s pritrdilnimi elementi za samopovratne varovalne naprave, nameščene na varovalno-pozicijskih trakovih za celotno telo (slika 8). Sprejemljiva je tudi povezava samopovratne varovalne naprave (SRD) na hrbtno D-vponko varovalno-pozicijskih trakov za telo s pripenjanjem vponke-karabin ali zaskočne vponke-kavelj.

- **Namestitev varovalno-pozicijskih trakov enojne samopovratne varovalne naprave (SRD):** Če je mobilnost delavca omejena, lahko uporabite vmesnik za varovalno-pozicijske trakove samopovratne varovalne naprave (SRD) za pripenjanje samopovratne varovalne naprave (SRD) na hrbtno stran varovalno-pozicijskih trakov za celotno telo tik pod hrbtno D-vponko (glejte sliko 9). Nato se delavec lahko pripne na različne sidrne točke, ki so nameščene po celotnem delovišču tako, da uporabi pripravo za spenjanje na koncu vrvi samopovratne varovalne naprave (SRD), pri tem pa mu ni treba samopovratne varovalne naprave (SRD) vsakič ponovno odpenjati. Za namestitev samopovratne varovalne naprave (SRD) na varovalno-pozicijske trakove za celotno telo z vmesnikom za varovalno-pozicijske trakove samopovratne varovalne naprave (SRD):
 1. **Zrahljajte varovalno-pozicijske trakove:** Povlecite navzven trakove (A), kjer so napeljani skozi hrbtno D-vponko (B) in ležijo na njeni spodnji strani, da naredite dovolj prostora, da potisnete vmesnik za varovalno-pozicijske trakove samopovratne varovalne naprave (SRD) med trakove in oblogo D-vponke.
 2. **Odprite vmesnik za varovalno-pozicijske trakove:** Hkrati pritisnite zaklepna gumba (C) in izvlecite zaklepni zatič (D).
 3. **Namestite samopovratno varovalno napravo (SRD) na vmesnik za varovalno-pozicijske trakove:** Vstavite odprto zapiralo na vmesniku za varovalno-pozicijske trakove skozi vrtljivo vponko na samopovratni varovalni napravi (SRD) (E). Navijte vmesnik skozi vrtljive vponke, tako da samopovratna varovalna naprava (SRD) visi z opore vmesnika za varovalno-pozicijske trakove (F).
 4. **Vmesnik za varovalno-pozicijske trakove ovijte okrog pletenih trakov:** Namestite odprto zapiralo vmesnika za varovalno-pozicijske trakove okrog razrahljanih tkanih trakov (A).
 5. **Zaprte vmesnik za varovalno-pozicijske trakove:** Potiskajte zaklepni zatič vmesnika za varovalno-pozicijske trakove (D) skozi razrahljane tkane trakove (A), dokler se ne zaskoči na ustreznem mestu, na nasprotnem koncu vmesnika za varovalno-pozicijske trakove. Tkane trakove povlecite nazaj skozi hrbtno D-vponko in hrbtno varovalno podlogo, da varno pritrdite vmesnik za varovalno-pozicijske trakove.

Rdeč trak na kroglastem koncu zaklepnega zatiča vmesnika za varovalno-pozicijske trakove se pojavi, če je vmesnik za varovalno-pozicijske trakove odklenjen. Da se izognete nenamernemu odpenjanju pripetih priprav za spenjanje, morate pred vsako uporabo varovalno-pozicijskih trakov in pripete samopovratne varovalne naprave pregledati in zagotoviti, da je vmesnik za varovalno-pozicijske trakove zaklenjen. Če takega pregleda ne opravite, lahko pride do telesnih poškodb ali smrti.

- **Namestitev varovalno-pozicijskih trakov dvojne samopovratne varovalne naprave (SRD):** Pri vzpenjalnih sistemih, ko delavec zaradi spremembe lokacije uporablja odpenjanje s sidrne točke s »100 % zategom«, se lahko uporabi vmesnik za varovalno-pozicijske trakove samopovratne varovalne naprave (SRD), ki omogoča pripenjanje dveh samopovratnih varovalnih naprav (SRD) drugo ob drugo na hrbtni strani varovalno-pozicijskih trakov za celotno telo, tik pod hrbtno D-vponko (glejte sliko 9). Za pripenjanje dveh samopovratnih varovalnih naprav (SRD) na varnostno-pozicijske trakove za celotno telo z uporabo vmesnika za varovalno-pozicijske trakove samopovratne varovalne naprave (SRD):
 1. **Zrahljajte varovalno-pozicijske trakove:** Vlecite navzven trakove (A), kjer so napeljani skozi hrbtno D-vponko (B) in ležijo na njeni spodnji strani, da naredite dovolj prostora, da potisnete vmesnik za varovalno-pozicijske trakove samopovratne varovalne naprave (SRD) med trakove in oblogo D-vponke.
 2. **Odprite vmesnik za varovalno-pozicijske trakove:** Hkrati pritisnite zaklepna gumba (C) in izvlecite zaklepni zatič (D).
 3. **Namestite samopovratne varovalne naprave (SRD) na vmesnik za varovalno-pozicijske trakove:** Vstavite odprto zapiralo na vmesniku za varovalno-pozicijske trakove skozi vrtljivo vponko na vsaki samopovratni varovalni napravi (SRD) (E). Navijte vmesnik skozi vrtljive vponke, tako da samopovratne varovalne naprave (SRD) visijo z opore vmesnika za varovalno-pozicijske trakove (F).
 4. **Vmesnik za varovalno-pozicijske trakove ovijte okrog pletenih trakov:** Namestite odprto zapiralo vmesnika za varovalno-pozicijske trakove okrog razrahljanih tkanih trakov (A).
 5. **Zaprte vmesnik za varovalno-pozicijske trakove:** Potiskajte zaklepni zatič vmesnika za varovalno-pozicijske trakove (D) skozi razrahljane tkane trakove (A), dokler se ne zaskoči na ustreznem mestu, na nasprotnem koncu vmesnika za varovalno-pozicijske trakove. Tkane trakove povlecite nazaj skozi hrbtno D-vponko in zadnjo oblogo, da zavarujete vmesnik za varovalno-pozicijske trakove.

Rdeč trak na kroglastem koncu zaklepnega zatiča vmesnika za varovalno-pozicijske trakove se pojavi, če je vmesnik za varovalno-pozicijske trakove odklenjen. Da se izognete nenamernemu odpenjanju pripetih priprav za spenjanje, morate pred vsako uporabo varovalno-pozicijskih trakov in pripete samopovratne varovalne naprave (SRD) pregledati in zagotoviti, da je vmesnik za varovalno-pozicijske trakove zaklenjen. Če takega pregleda ne opravite, lahko pride do telesnih poškodb ali smrti.

- **Namestitev varovalno-pozicijskih trakov za dvojno samopovratno varovalno napravo (SRD) s fiksno D-vponko:** Starejši varovalno-pozicijski trakovi za celotno telo ExoFit s fiksno D-vponko potrebujejo poseben vmesnik za varovalno-pozicijske trakove za namestitev dveh samopovratnih varovalnih naprav (SRD) na hrbtno stran varovalno-pozicijskih trakov, tik pod hrbtno D-vponko. Za namestitev dveh samopovratnih varovalnih naprav (SRD) na varovalno-pozicijske trakove za celotno telo ExoFit z vmesnikom za varovalno-pozicijske trakove samopovratne varovalne naprave (SRD) s fiksno D-vponko (slika 10):
 1. **Zrahljajte varovalno-pozicijske trakove:** Vlecite ven tkane trakove (A), kjer so napeljani skozi spodnji del hrbtno D-vponke (B), dokler ni dovolj prostora za vstavitve vmesnika za varovalno-pozicijske trakove samopovratne varovalne naprave (SRD) med tkane trakove in zadnjo oblogo.
 2. **Odprite vmesnik za varovalno-pozicijske trakove:** Ko je vmesnik za varovalno-pozicijske trakove samopovratne varovalne naprave (SRD) usmerjen tako, kot je prikazano, potisnite zaklepno objemko (C) v desno in nato obrnite v smeri urnega kazalca, da odklenete zapiralo (D). Zanihajte zapiralo (D) navzdol, da se odpre.
 3. **Navijte prvo samopovratno varovalno napravo (SRD) na vmesnik za varovalno-pozicijske trakove:** Vstavite sprednji del priprave za spenjanje (E) skozi vrtljivo ušesce (F) na samopovratni varovalni napravi (SRD) in nato zavrtite samopovratno varovalno napravo (SRD) proti koncu zapirala priprave za spenjanje (G). Zapiralo lahko zaklenete, da omogočite prosto pot vrtljivemu ušescu med zapiralom in hrbtnim delom priprave za spenjanje.
 4. **Vmesnik tkanih trakov ovijte okrog varovalno-pozicijskih trakov za telo:** Vstavite vrh priprave za spenjanje (E) zadaj, za tkane trakove (A). Obračajte pripravo za spenjanje, postavljeno zadaj za tkane trakove, dokler priprava za spenjanje ne objame tkanih trakov.
 5. **Dodajte drugo samopovratno varovalno napravo (SRD) na vmesnik za varovalno-pozicijske trakove:** Pustite da vrtljivo ušesce (F) samopovratne varovalne naprave (SRD) drsi čez vrh priprave za spenjanje (E) in namestite vrtljivo ušesce samopovratne varovalne naprave (SRD) v zgornji konec priprave za spenjanje.
 6. **Zaprte vmesnik za varovalno-pozicijske trakove:** Vrnite zapiralo (D) v zaprt položaj in obrnite zaklepno objemko (C) nazaj v zaklenjen položaj. Ko je vmesnik trakov zaprt, povlecite varovalno-pozicijske trakove za telo (A) nazaj skozi hrbtno D-vponko, da preprečite ohlapnost varovalno-pozicijskih trakov in pritrdite vmesnik trakov med varovalno-pozicijskimi trakovi in hrbtno varovalno podlogo.
- **Dvojni karabin 3M® DBI-SALA®:** Dvojni karabin 3M® DBI-SALA® je zasnovan za namestitev dveh samopovratnih varovalnih naprav (SRD) Nano-Lok drugo ob drugi na zadnjo stran varovalno-pozicijskih trakov za celotno telo tik pod hrbtno D-vponko (glejte sliko 12). Za namestitev dveh samopovratnih varovalnih naprav (SRD) Nano-Lok na varovalno-pozicijske trakove za celotno telo z dvojnimi karabinom:
 1. **Zrahljajte varovalno-pozicijske trakove:** Povlecite navzven tkane trakove (A), kjer so napeljani skozi spodnji del hrbtno D-vponke (B), dokler ni dovolj prostora, da potisnete vmesnik z dvojnimi krakom med tkane trakove in oblogo D-vponke.
 2. **Odprite dvojni karabin:** Potiskajte vložek priprave za spenjanje (C), da odpnete objemke (D) s priprave za spenjanje, nato pa zasukajte vložek priprave za spenjanje navzgor, da odklenete zapiralo. Potisnite zapiralo (E) navznoter, da se priprava za spenjanje odpre.
 3. **Navijte prvo samopovratno varovalno napravo (SRD) Nano-Lok na dvojni karabin:** Vstavite vrh priprave za spenjanje (F) skozi vrtljivo vponko (G) na reševalni vrvi s samodejnim uvlečenjem (SRL), nato pa obračajte reševalno vrv s samodejnim uvlečenjem (SRL) okrog zapiralnega konca priprave za spenjanje (H). Zapiralo se lahko obrača proti vrhu priprave za spenjanje, da omogoči prosto pot za vrtljivo vponko med zapiralom in hrbtnim delom priprave za spenjanje.
 4. **Namestite dvojni karabin okrog tkanih trakov:** Ko zapiralo gleda navzgor, vstavite vrh priprave za spenjanje (F) zadaj, za tkane trakove (A). Obračajte pripravo za spenjanje okrog varovalno-pozicijskih trakov, dokler priprava za spenjanje ne objame tkanih trakov.
 5. **Dodajte drugo samopovratno varovalno napravo (SRD) Nano-Lok na dvojni karabin:** Povlecite vrtljivo vponko (G) reševalne vrvi s samodejnim uvlečenjem (SRL) čez sprednji del priprave za spenjanje (F) in namestite vrtljivo vponko reševalne vrvi s samodejnim uvlečenjem (SRL) v zadnji del priprave za spenjanje (F). Zaprite zapiralo (E).
 6. **Zaprte dvojni karabin:** Obrnite vstavek priprave za spenjanje (C) naprej, da se sponke (D) na pripravah za spenjanje varno pripnejo. Ko so pravilno zaprti, morajo tkani trakovi potekati skozi odprtino za tkane trakove (J) na vrhu vstavka priprave za pripenjanje, vrtljiva vponka reševalne vrvi s samodejnim uvlečenjem (SRL) pa mora biti nameščena v vdolbine (K) na obeh straneh vstavka priprave za pripenjanje. Ko je vmesnik za varovalno-pozicijske trakove zaprt, povlecite tkane trakove (A) nazaj skozi hrbtno D-vponko in varovalno podlogo D-vponke, da preprečite ohlapnost trakov in pritrdite pripravo za spenjanje med tkane trakove in varovalno podlogo D-vponke.
- **Dvojni karabin z zatičem 3M® DBI-SALA®:** Ta pritrditev varovalno-pozicijskih trakov se lahko uporabi za namestitev ene ali dveh reševalnih vrvi s samodejnim uvlečenjem (SRL) Nano-Lok pri plezanju (glejte sliko 11), kjer je potreben 100 % zateg:
 1. **Zrahljajte varovalno-pozicijske trakove:** Povlecite navzven tkane trakove (A), kjer so napeljani skozi spodnji del hrbtno D-vponke (B), dokler ni dovolj prostora, da potisnete vmesnik z dvojnimi krakom med tkane trakove in oblogo D-vponke.
 2. **Za enojno konfiguracijo:** Namestite vrtljivo sponko enojne reševalne vrvi s samodejnim uvlečenjem (SRL) v odprt prostor na sredini.
 3. **Za dvojno konfiguracijo:** Namestite vrtljivo vponko ene reševalne vrvi s samodejnim uvlečenjem (SRL) v odprt prostor, ki je najbližje zatiču, drugo pa v odprt prostor, ki je najdlje od zatiča.
 4. Potisnite zatič nazaj na svoje mesto, dokler ne zaslišite klika. Zatič mora biti trdno na svojem mestu.
 5. Istočasno pritiskajte dva gumba na strani varovalno-pozicijskih trakov priprave za spenjanje, medtem ko potiskate zatič ven. Ob potiskanju tega zatiča ven se ustvari odprt prostor.
 6. Potegnite za majhen konec prostega traku, neposredno pod hrbtno D-vponko na vaših varovalno-pozicijskih trakovih. Namestite stran priprave za spenjanje, kjer so varovalno-pozicijski trakovi, pod D-vponko.
 7. Potisnite zatič nazaj na svoje mesto, pri tem pa poskrbite, da zatič ostane pod obema slojema varovalno-pozicijskih trakov, dokler ne zaslišite klika. Zatič mora biti trdno na svojem mestu.

4.0 DELOVANJE

Pred začetkom uporabe samopovratnih varovalnih naprav (SRD) morajo novi uporabniki in uporabniki, ki naprave uporabljajo samo občasno, prebrati »Varnostne informacije« na začetku tega priročnika.

- 4.1 PRED VSAKO UPORABO:** Pred vsako uporabo te opreme za zaščito pred padcem jo temeljito preverite in zagotovite, da ustreza delovnim pogojem. Preverite in se prepričajte, da ni obrabljenih ali poškodovanih delov. Zagotovite, da so vsi zapahi nameščeni in da se varno zapirajo. Preverite in zagotovite pravilno samodejno uvlečenje rešilne vrvi tako, da jo izvlečete in spustite, da se samodejno počasi uvleče. Če se pri uvlečenju pojavijo kakršni koli zastoji ali upočasnitve, je treba enoto z rešilno vrvo prenehati uporabljati in uničiti. Preglejte rešilno vrv in zagotovite, da ni zareza, odrgnin, ožganin ali znakov korozije. Preverite delovanje zaklepa, tako da močno povlečete za rešilno vrv. Za podrobnosti o pregledih glejte Dnevnik pregledov in vzdrževanja (preglednica 3). Ne uporabljajte delov opreme, če ob pregledu ugotovite, da niso varni ali so pomanjkljivi.
- 4.2 PO PADCU:** Vsako opremo, ki je bila izpostavljena silam zaustavljanja padca, ali ima vidne poškodbe, enake tistim, ki jih povzročijo sile zaustavljanja padca, kot je opisano v preglednici 3, morate nemudoma prenehati uporabljati in uničiti.
- 4.3 PODPORA TELESU:** Pri uporabi samopovratnih varovalnih naprav (SRD) morate imeti na sebi varovalno-pozicijske trakove za celotno telo za celotno telo. Za splošno zaščito pred padcem se pripnite na hrbtno D-vponko.
- 4.4 POVEZOVANJE:** Slika 5 prikazuje povezave varovalno-pozicijskih trakov in sidrišča za sisteme za zaustavitev padca za samopovratno varovalno napravo (SRD). Ko za povezavo uporabljate vponko-kavelj, zagotovite pravilno oblikovane priprave za spenjanje, da se vponka kavelj ne bi odprla (glejte sliko 5). Ne uporabljajte vponk-kavelj ali priprav za spenjanje, ki se ne morejo zapreti nad pripetim objektom. Ne uporabljajte zaskočnih vponk-kavelj, ki niso samozaklepne. Sidrišče mora imeti zahtevano trdnost, kot je navedeno v preglednici 2. Upoštevajte navodila proizvajalca, ki so priložena vsakemu posameznemu delu sistema.
- 4.5 DELOVANJE:** Pred uporabo preglejte samopovratno varovalno napravo (SRD), kot je opisano v preglednici 3. Slika 14 prikazuje sistemske povezave za tipične načine uporabe samopovratne varovalne naprave (SRD). Povežite samopovratno varovalno napravo (SRD) z ustreznim sidriščem, ali jo pripnite na hrbtno stran varovalno-pozicijskih trakov za celotno telo, kot je opisano v navodilih v razdelku 3. Pri samopovratni varovalni napravi, ki je povezana s sidriščem, pripnite vponko-kavelj (D) ali vponko-karabin na kazalniku bremena, na hrbtno D-vponko (A) varovalno-pozicijskih trakov za celotno telo. Pri samopovratni varovalni napravi, ki je pripeta na varovalno-pozicijske trakove za telo, povežite vponko-kavelj (D) ali vponko-karabin z ustreznim sidriščem. Zagotovite, da so priprave za spenjanje združljive glede velikosti, oblike in moči. Zagotovite, da so vse vponke-kavelj do konca zaprte in zaklenjene. Ko je delavec pripet, se lahko prosto giblje znotraj priporočenega delovnega območja z običajno hitrostjo. V primeru padca, se bo samopovratna varovalna naprava (SRD) zaklenila in s tem zaustavila padec. Po reševanju samopovratne varovalne naprave (SRD) ne uporabljajte več. Pri delu s samopovratno varovalno napravo (SRD) vedno počakajte, da se rešilna vrv uvleče do konca v napravo, ki jo pregledujete.
- 4.6 DVOJNI VMESNIK ZA SAMOPOVRATNO VAROVALNO NAPRAVO (SRD), KI OMOGOČA 100 % ZATEG:** Ko sta dve samopovratni varovalni napravi (SRD) nameščeni druga ob drugi na zadnji strani varovalno-pozicijskih trakov za celotno telo, lahko sistem za zaustavitev padca na samopovratni varovalni napravi (SRD) uporabite za neprekinjeno zaščito (100 % zateg) pri vzponu, spustu ali stranskem premikanju (glejte sliko 15). S krakom »pozicijske vrvi z zaključno zanko« (zaključna zanka je lahko vponka ali podobna priprava za spenjanje) ene samopovratne varovalne naprave (SRD), ki je pripet na sidrno točko trenutne lokacije, se lahko delavec premakne na novo lokacijo in priprave neuporabljen krak »pozicijske vrvi z zaključno zanko« druge samopovratne varovalne naprave (SRD) na drugo sidrno točko, nato pa se odpne s sidrne točke za prejšnjo lokacijo. Zaporedje se ponavlja, dokler delavec ne doseže zelene lokacije. Pri uporabi dvojne samopovratne varovalne naprave (SRD) s 100 % zategom upoštevajte spodnje:
- Nikoli ne smete povezati »vrvi z zaključno zanko« obeh samopovratnih varovalnih naprav (SRD) na isto sidrno točko (glejte sliko 16A).
 - Povezava več kot ene priprave za spenjanje na eno sidrišče (vponka ali ušesce) se odsvetuje, ker lahko s tem ogrozite združljivost povezave zaradi interakcije med pripravami za spenjanje.
 - Sprejemljivo je pripenjanje posamezne »vrvi z zaključno zanko« samopovratne varovalne naprave (SRD) na ločeno sidrno točko (slika 16B).
 - Vsaka točka povezljivosti mora neodvisno podpirati 2248 funta (10 kN) ali biti inženirski sistem, kot je to primer pri vodoravni reševalni vrvi.
 - Na sistem z dvojno samopovratno varovalno napravo (SRD) nikoli ne smete hkrati povezati več kot ene osebe (slika 16C).
 - Ne dovolite, da se vrvi z zaključno zanko med seboj zapletejo ali zavozlajo, saj lahko s tem preprečite, da se uvlečejo.
 - Med uporabo ne smete dovoliti napeljave vrvi z zaključno zanko pod rokami ali med nogami.
- 4.7 NAMESTITEV HRBTNE D-VPONKE DVOJNE SAMOPOVRATNE VAROVALNE NAPRAVE (SRD):** Modele s tristopenjskim karabinom je mogoče namestiti na hrbtno D-vponko pri dvojni konfiguraciji. Za namestitev dveh samopovratnih varovalnih naprav (SRD) na hrbtno D-vponko varovalno-pozicijskih trakov (slika 13):
- 1. Odprite tristopenjski karabin:** Ko je tristopenjski karabin usmerjen, kot je prikazano, potisnite zaklepno objemko (C) v desno in nato obračajte v smeri urnega kazalca, da odklenete zapiralo (D). Zanihajte zapiralo (D) navzdol, da se odpre.
 - 2. Navijte prvo samopovratno varovalno napravo (SRD) na tristopenjski karabin:** Vstavite sprednji del priprave za spenjanje (E) v vrtljivo vponko (F) na samopovratni varovalni napravi (SRD) in nato obrnite samopovratno varovalno napravo (SRD) proti koncu zapirala priprave za spenjanje (G). Zapiralo lahko zaprete, da omogočite prosto pot vrtljivi sponki med zapiralom in hrbtnim delom priprave za spenjanje.
 - 3. Dodajte drugo samopovratno varovalno napravo (SRD) na tristopenjski karabin:** Potisnite vrtljivo sponko (F) samopovratne varovalne naprave (SRD) čez vrh priprave za spenjanje (E).
 - 4. Navijte tristopenjski karabin skozi D-vponko:** Vstavite vrh priprave za spenjanje (E) skozi hrbtno D-vponko (A). Vrtite pripravo za spenjanje skozi D-vponko, dokler ni mogoče zapreti zapirala.
 - 5. Zaprite tristopenjski karabin:** Omogočite, da se zapiralo (D) zapre in da se zaklepna objemka (C) zavrti nazaj v zaklenjen položaj.
- 4.8 VODORAVNI SISTEMI:** Če uporabljate samopovratno varovalno napravo (SRD) z vodoravnim sistemom (tj. vodoravne rešilne vrvi, vodoravne tirnice s potujočim sidriščem), morajo biti samopovratna varovalna naprava (SRD) in deli vodoravnega sistema združljivi. Vodoravni sistemi morajo biti oblikovani in montirani pod nadzorom kvalificiranega inženirja. Podrobnosti si oglejte v navodilih proizvajalca za opremo vodoravnih sistemov.

Dimenzije praznega prostora na poti padca na sliki 4 temeljijo na solidni, fiksni sidrni točki in ne veljajo za sidrišča sistemov s horizontalno rešilno vrvjo (HLL). Za določitev dimenzij potrebnega praznega prostora na poti padca glejte Priročnik z navodili za vodoravno rešilno vrv (HLL) in se posvetujte z monterjem za vodoravno rešilno vrv.

5.0 Pregled

5.1 OZNAKA RFID: Samopovratna varovalna naprava (SRD) vključuje oznako za radiofrekvenčno identifikacijo (RFID) (glejte sliko 17). Oznako RFID lahko preberete z ročno napravo za branje in spletnim portalom, da poenostavite pregled in nadzor opreme in tako pridobite podatke v zvezi z evidenco opreme za zaščito pred padcem. Za podrobnosti se obrnite na zastopnika oddelka za pomoč kupcem družbe 3M (glejte hrbtno stran platnic). Sledite navodilom, ki so priložena ročnemu bralniku ali spletnemu portalu za prenos podatkov v vaš spletni dnevnik.

5.2 POGOSTOST PREGLEDOV: Samopovratno varovalno napravo je treba pregledovati v intervalih, ki so določeni v razdelku 2. Postopki pregledov so opisani v »Dnevniku pregledov in vzdrževanja« (preglednica 3).

Ekstremni delovni pogoji (zahtevne delovne razmere, podaljšana uporaba in podobno) bodo morda zahtevali pogostejše preglede (glejte preglednico 2).

5.3 NEVARNA STANJA ALI RESNE NAPAKE: Če med pregledom odkrijete nevarna stanja ali resne napake, takoj prenehajte uporabljati samopovratno varovalno napravo (SRD) in jo uničite (glejte razdelek 6).

Popravila te opreme lahko opravlja samo podjetje 3M ali oseba, ki je pridobila pisno pooblastilo.

5.4 ŽIVLJENJSKA DOBA IZDELKA: Uporabna življenjska doba samopovratne varovalne naprave (SRD) 3M je določena z delovnimi pogoji in vzdrževanjem. Dokler izdelek med pregledom izpolnjuje merila za uporabnost, ga lahko uporabljate (v okviru maksimalne življenjske dobe izdelka). Maksimalna življenjska doba samopovratne varovalne naprave (SRD) s tekstilnimi pletenimi reševalnimi vrvmi ni daljša od 10 let od datuma izdelave.

6.0 VZDRŽEVANJE, SERVISIRANJE in SKLADIŠČENJE

6.1 ČIŠČENJE: Postopki čiščenja za samopovratno varovalno napravo (SRD) so naslednji:

- Občasno očistite zunanost samopovratne varovalne naprave (SRD) z vodo in blago milnico. Namestite samopovratno varovalno napravo (SRD) tako, da se odvečna voda lahko odcedi. Napisne ploščice/nalepke očistite, kot je zahtevano.
- Pleteno reševalno vrv očistite z vodo in blago milnico. Sperite in temeljito osušite na zraku. Ne uporabljajte prisilnega sušenja s toploto. Rešilna vrv mora biti suha, preden jo uvlečete v ohišje. Pretirana nakopičena umazanija, barva ipd. lahko preprečijo uvlečenje rešilne vrvi v ohišje, kar lahko povzroči nevarnost prostega padca.

6.2 SERVIS: Samopovratne varovalne naprave (SRD) niso popravljive. Če je bila samopovratna varovalna naprava (SRD) izpostavljena silam zaustavljanja padca, ali je pregled pokazal, da je v nevarnem stanju, ali ima resne napake, je ne uporabljajte in jo uničite (glejte »Odstranjanje«).

6.3 SKLADIŠČENJE/TRANSPORT: Samopovratne varovalne naprave (SRD) prevažajte in skladiščite v hladnem, suhem in čistem okolju, zaščitenem pred neposredno sončno svetlobo. Izogibajte se območjem, kjer obstaja verjetnost kemičnih hlapov. Samopovratne varovalne naprave (SRD) temeljito preglejte po vsakem daljšem obdobju neuporabe.

6.4 ODSTRANJEVANJE: Odstranite samopovratno varovalno napravo (SRD), če je bila izpostavljena silam zaustavljanja padca, ali je pregled pokazal, da je v nevarnem stanju, ali ima resne napake. Pred odlaganjem samopovratne varovalne naprave (SRD) prerežite reševalno vrv na pol ali drugače onemogočite samopovratno varovalno napravo (SRD), da odpravite verjetnost nenamerne ponovne uporabe.

7.0 Nalepke

Slika 22 kaže napisne ploščice/nalepke na samopovratnih varovalnih napravah in njihovih lokacijah. Vse napisne ploščice/nalepke na samopovratni varovalni napravi (SRD) morajo biti vedno prisotne. Nečistljive napisne ploščice/nalepke morate zamenjati. Piktogrami na napisnih ploščicah/nalepkah so določeni, kot sledi:

1	Preverite zaskočno vpenjalo in indikator udarcev.
2	Preverite delovanje zaklepa reševalne vrvi s samodejnim uvlečenjem.
3	Pravilen način priključka reševalne vrvi s samodejnim uvlečenjem (SRL) na varovalno-pozicijske trakove
4	Ni certificirano za ostre robove. Lahko povežete s sidrno točko nad hrbtno D-vponko, pod njo ali v ravni z njo (največ 140 kg).
5	Temperaturni razpon uporabe od -40 °C do +60 °C.
6	Največja nosilnost 140 kg
7	Vedno spremljajte in nadzorujte uvlečenje rešilne vrvi, dokler se ne uvleče do konca v ohišje za samou vlečno rešilno vrv (SRL).
8	Ne popravljajte.
9	Hranite na hladnem, suhem in čistem mestu, stran od neposredne sončne svetlobe.
10	Ne nalagajte čez rob
11	Ne smete odstraniti nalepke

Preglednica 3 – Dnevnik pregledov in vzdrževanja

Serijske številke:		Datum nakupa:	
Številka modela:		Datum prve uporabe:	
Datum pregleda:		Pregledal:	
Sestavni del:	Pregled: <small>(Glejte poglavje 2 za Pogostost pregledov)</small>	Prestal	Ni prestal
Samopovratna varovalna naprava (SRD) (slika 18)	Preglejte sponke in druge dele ter zagotovite, da ni razrahljanih sponk in deformiranih ali poškodovanih delov.	<input type="checkbox"/>	<input type="checkbox"/>
	Preglejte ohišje (A) in zagotovite, da ni deformacij, razpok ali drugih poškodb.	<input type="checkbox"/>	<input type="checkbox"/>
	Preglejte tečaj (B) in vrtljivo ušesce (C) ali vgrajeno pripravo za spenjanje (D) in se prepričajte, da ni deformacij, razpok ali drugih poškodb. Tečaj mora biti varno pritrjen na samouvlečno rešilno vrv (SRL), vendar se mora prosto vrteti. Vrtljivo ušesce ali vgrajena priprava za spenjanje se morata na vrtljivem tečaju prosto vrteti.	<input type="checkbox"/>	<input type="checkbox"/>
	Pletena rešilna vrv (E) se mora v celoti izvleči in uvleči brez zastojev ali upočasnitev in brez ustvarjanja ohlapnosti.	<input type="checkbox"/>	<input type="checkbox"/>
	Preverite in se prepričajte, da se samopovratna varovalna naprava (SRD) zaklene, ko se rešilna vrv sunkovito povleče. Zaklep mora biti trden, brez zdrsov.	<input type="checkbox"/>	<input type="checkbox"/>
	Vse oznake morajo biti prisotne in popolnoma čitljive (oglejte si sliko 20).	<input type="checkbox"/>	<input type="checkbox"/>
	Preglejte celotno samopovratno varovalno napravo (SRD) in se prepričajte, da ni znakov korozije.	<input type="checkbox"/>	<input type="checkbox"/>
Končne priprave za spenjanje (slika 19)	Preglednica 2 navaja končne priprave za spenjanje, ki morajo biti vključene v vaš model samopovratne varovalne naprave Nano-Lok (SRD). Preverite vse zaskočne vponke-kavelj, vponke-karabin, ojačane vponke-kavelj »rebar«, vmesnike ipd. in se prepričajte, da ni poškodb niti znakov korozije in da so v ustreznem stanju za delo. Če so vgrajeni: Zapirala se morajo pravilno odpreti, zapreti, zakleniti in odkleniti, prav tako morajo zaklepni gumbi ter zaklepni zatiči delovati pravilno.	<input type="checkbox"/>	<input type="checkbox"/>
Pletena rešilna vrv (slika 20)	Preglejte varovalno-pozicijske trakove; na materialu ne sme biti zarez (A), scefраниh mest (B) ali natrganih vlaken. Preglejte in se prepričajte, da ni raztrganih, odrgnin, močne umazanije (C), plesni, ožganin (D) ali razbarvanosti. Preglejte šive in se prepričajte, da niso razrahljani ali prerezani. Potrgani šivi lahko nakazujejo, da so bili varovalno-pozicijski trakovi podvrženi udarni obremenitvi in jih morate odstraniti iz uporabe.	<input type="checkbox"/>	<input type="checkbox"/>
Blažilnik udarcev (slika 21)	Preverite, ali je bil vgrajeni blažilnik udarcev aktiviran. Odprt ali raztrgan pokrov (A), varovalno-pozicijski trakovi ne smejo biti izvlečeni iz ohišja; raztrgani ali razcefrani varovalno-pozicijski trakovi (B), potrgani šivi itd. so indikatorji aktiviranega blažilnika udarcev.	<input type="checkbox"/>	<input type="checkbox"/>
Korektivni ukrep/vzdrževanje:		Odobril/-a:	
		Datum:	
Korektivni ukrep/vzdrževanje:		Odobril/-a:	
		Datum:	
Korektivni ukrep/vzdrževanje:		Odobril/-a:	
		Datum:	
Korektivni ukrep/vzdrževanje:		Odobril/-a:	
		Datum:	
Korektivni ukrep/vzdrževanje:		Odobril/-a:	
		Datum:	
Korektivni ukrep/vzdrževanje:		Odobril/-a:	
		Datum:	
Korektivni ukrep/vzdrževanje:		Odobril/-a:	
		Datum:	

BEZBEDNOSNE INFORMACIJE

Molimo vas da pročitate, razumete i sledite sve bezbednosne informacije sadržane u ovim uputstvima pre upotrebe ovog samouvlačećeg uređaja (SRD). UKOLIKO TAKO NE POSTUPITE, MOŽE DOĆI DO OZBILJNE POVREDE ILI SMRTI.

Ova uputstva se moraju obezbediti korisniku ove opreme. Sačuvajte ova uputstva da biste mogli ponovo da ih pročitate.

Predviđena upotreba:

Predviđeno je da se ovaj samouvlačeći uređaj koristi kao deo potpunog ličnog sistema za zaštitu od pada.

Kompanija 3M ne odobrava njegovu upotrebu u druge svrhe, uključujući, bez ograničavanja, rukovanje materijalima, rekreativne ili sportske aktivnosti ili druge aktivnosti koje nisu opisane u Uputstvima za upotrebu jer bi takva upotreba mogla dovesti do ozbiljne povrede ili smrti.

Ovaj uređaj treba da koriste samo obučeni korisnici u primenama na radnom mestu.

! UPOZORENJE

Ovaj samouvlačeći uređaj je deo potpunog ličnog sistema za zaštitu od pada. Očekuje se da svi korisnici budu potpuno obučeni za bezbedno postavljanje svog ličnog sistema za zaštitu od pada i rukovanje ovim sistemom. **Pogrešna upotreba ovog uređaja može da dovede do ozbiljne povrede ili smrti.** Informacije o pravilnom izboru, funkcionisanju, postavljanju, održavanju i servisiranju potražite u ovim Uputstvima za korisnika i svim preporukama proizvođača, od svog nadzornika ili se obratite tehničkoj službi kompanije 3M.

- **Da biste smanjili rizike povezane sa radom SRD, koji, ako se ne izbegnu, mogu dovesti do ozbiljne povrede ili smrti:**
 - Pre svake upotrebe, pregledajte SRD i proverite da li se pravilno odvija zabavljanje i uvlačenje.
 - Ako pregled otkrije da uređaj nije bezbedan ili da je oštećen, uklonite uređaj iz upotrebe, i popravite ga ili zamenite u skladu sa Uputstvima za korisnika.
 - Ako je SRD pretrpeo zaustavljanje pada ili udarnu silu, smesta uklonite taj SRD iz upotrebe i uređaj označite sa „NIJE ZA UPOTREBU“.
 - Obezbedite da sigurnosno uže bude slobodno od bilo kakvih prepreka, uključujući, bez ograničenja; zapetljavanje u pokretnu mehanizaciju ili opremu (npr. vršni pogon naftnih bušotina), kontakt sa ostalim radnicima, samim korisnikom (vama), predmetima iz okruženja; takođe mora biti obezbeđeno da ne dođe do udara od strane predmeta iznad glave, koji bi mogli pasti na sigurnosno uže ili na radnika.
 - Nikada nemojte dozvoliti da sigurnosno uže bude labavo. Nemojte vezivati ili praviti čvorove na sigurnosnom užetu.
 - Slobodni krak (krakove) SRD-a koji je montiran na upregu, pričvrstite za dodatak (dodatke) za parkiranje užeta na uprezi, ukoliko takvi postoje.
 - Nemojte primenjivati u situacijama gde postoji opstrukcija putanje pada. Rad na materijalima koji se sporo pomeraju, kao što su pesak ili žito, ili rad u skućenim ili pretrpanim prostorima, možda neće dozvoliti radniku da dostigne dovoljnu brzinu koja će izazvati zabavljanje SRD-a. Da bi zaključavanje samouvlačećeg uređaja bilo osigurano, potrebno je obezbediti da putanja pada bude oslobođena svih prepreka.
 - Izbegavajte iznenadne ili brze pokrete tokom uobičajenih radnih operacija. To može da izazove zabavljanje uređaja.
 - Pobrinite se da sistemi/podsistemi za zaštitu od pada sačinjeni od komponentata različitih proizvođača budu kompatibilni i zadovoljavaju zahteve važećih standarda, uključujući ANSI Z359 ili druge važeće kodekse, standarde ili zahteve za zaštitu od pada. Uvek se posavetujte sa kompetentnim ili kvalifikovanim licem pre upotrebe ovih sistema.
- **Da biste smanjili rizike povezane sa radom na visini koji, ako se ne izbegnu, mogu dovesti do ozbiljne povrede ili smrti:**
 - Pobrinite se da su vaše zdravlje i fizička kondicija takvi da vam omogućavaju da bezbedno podnesete sve sile povezane sa radom na visini. Posavetujte se sa svojim lekarom ako imate bilo kakva pitanja u vezi sa vašom sposobnošću da koristite ovu opremu.
 - Nikad nemojte premašiti dozvoljeni kapacitet vaše opreme za zaštitu od pada.
 - Nikad nemojte premašiti maksimalnu razdaljinu slobodnog pada vaše opreme za zaštitu od pada.
 - Nemojte koristiti opremu za zaštitu od pada koja nije prošla inspekciju pre upotrebe ili druge planirane inspekcije, ili ako imate nedoumicu u pogledu upotrebe ili pogodnosti opreme za vašu namenu. Ako imate bilo kakva pitanja obratite se tehničkoj službi kompanije 3M.
 - Neke kombinacije podsistema i komponenti mogu uticati na funkcionisanje ove opreme. Koristite samo kompatibilne veze. Posavetujte se sa kompanijom 3M pre upotrebe ove opreme u kombinaciji sa komponentama ili podsistemima drugačijim od onih koji su opisani u Uputstvima za korisnika.
 - Primenite dodatne mere opreza pri radu sa pokretnom mehanizacijom (npr. vršni pogon naftnih bušotina), u slučaju električnih opasnosti, ekstremnih temperatura, hemijskih opasnosti, eksplozivnih ili toksičnih gasova, oštrih ivica ili rada ispod materijala nad glavom koji bi mogli da padnu na vas ili vašu opremu za zaštitu od pada.
 - Koristite Arc Flash ili Hot Works uređaje pri radu u sredinama sa visokom temperaturom.
 - Izbegavajte površine i objekte koji mogu da povrede korisnika ili oštete opremu.
 - Pobrinite se da postoji odgovarajući prostor za pad pri radu na visini.
 - Nikad nemojte vršiti izmene na svojoj opremi za zaštitu od pada. Samo kompanija 3M ili strane koje je kompanija 3M pismeno ovlastila mogu da vrše popravke ove opreme.
 - Pre upotrebe opreme za zaštitu od pada, pobrinite se da postoji plan spasavanja koji omogućava brzo spasavanje u slučaju pada.
 - Ako dođe do pada, odmah potražite medicinsku negu za radnika koji je pao.
 - Nemojte koristiti pojas za telo za primene zaustavljanja pada. Koristite samo potpunu telesnu upregu.
 - Svedite na najmanju meru padove sa ljuljanjem tako što ćete raditi što je neposrednije moguće ispod tačke sidrenja.
 - Ukoliko se vrši obuka sa ovim uređajem, mora se koristiti dodatni sistem za zaštitu kako lice na obuci ne bi bilo izloženo nepredviđenoj opasnosti od pada.
 - Uvek nosite odgovarajuću ličnu zaštitnu opremu pri postavljanju, upotrebi ili pregledanju uređaja/sistema.

Pre nego što upotrebite ovu opremu, zabeležite informacije o identifikaciji proizvoda sa ID oznake u „Dnevnik kontrola i održavanja“ na poledini ovog priručnika.

OPIS:

Slika 2 označava komponente 3M™ DBI-SALA® Nano-Lok samouvlačećih uređaja (SRD). Nano-Lok samouvlačeći uređaji su mrežna sigurnosna užad (A) sa bubnjastim navojem i sa linijskim apsorberom energije (B) koji se uvlači u najlonsko kućište (C). Otvor obrtne spojke (D) na vrhu kućišta omogućava povezivanje na važeću tačku sidrenja pomoću karabina (E) ili montiranje na telesnu upregu pomoću interfejsa uprege (F). Slika 1 označava dostupne Nano-Lok modele i konfiguracije njihovih spojnika. Pogledajte Tabelu 1 za specifikacije Nano-Lok SRD užeta i spojnika.

Tabela 1 – Specifikacije

Specifikacije komponentata:

Samouvlačeća kućišta	Najlon
Bubanj	Najlon
Unutrašnje komponente	Nerdajući čelik, aluminijum
Mrežno sigurnosno uže	Dyneema poliester
Apsorber energije	Omotič: Nitrilna guma, Tkanje: Poliester, Ušivci: Poliesterski ili najlonski konac
Obrtna spojka	Pocinkovani čelik

Specifikacije spojnice:

	Opis	Materijal	Otvaranje zatvarača	Snaga zatvarača	Snaga istezanja
①	Otvor obrtne spojke	Čelik	22.35 mm (0.88 in) unutrašnji prečnik	X	22.2 kN (2267 kg)
②	Karabinjer	Aluminijum	19 mm (3/4 in)	16 kN (1632 kg)	22.2 kN (2267 kg)
③	Karabinjer	Čelik	19 mm (3/4 in)	16 kN (1632 kg)	22.2 kN (2267 kg)
④	Jednostruki samouvlačeći interfejs	Čelik	51 mm (2 in)	16 kN (1632 kg)	22.2 kN (2267 kg)
⑤	Dvostruki samouvlačeći interfejs	Čelik sa najlonskim umetkom	19 mm (3/4 in)	16 kN (1632 kg)	22.2 kN (2267 kg)
⑥	Karabinjer	Aluminijum, čelik	56 mm (2.19 in)	16 kN (1632 kg)	22.2 kN (2267 kg)
⑦	Karabinjer	Aluminijum	19 mm (3/4 in)	16 kN (1632 kg)	22.2 kN (2267 kg)
⑧	Rebar alka	Aluminijum	57 mm (2-1/4 in)	16 kN (1632 kg)	22.2 kN (2267 kg)
⑨	Rebar alka	Aluminijum	63 mm (2-1/2 in)	16 kN (1632 kg)	22.2 kN (2267 kg)
⑩	Karabinjer	Aluminijum	52 mm (2 in)	16 kN (1632 kg)	22.2 kN (2267 kg)
⑪	Rebar alka	Aluminijum, čelik	63 mm (2-1/2 in)	16 kN (1632 kg)	22.2 kN (2267 kg)
⑫	Karabinjer	Čelik	19 mm (3/4 in)	16 kN (1632 kg)	22.2 kN (2267 kg)
⑬	Rebar alka	Aluminijum	57 mm (2-1/4 in)	16 kN (1632 kg)	22.2 kN (2267 kg)
⑭	Spojna alka	Čelik	19 mm (3/4 in)	16 kN (1632 kg)	22.2 kN (2267 kg)

Specifikacije performansi:

Specifikacije (vertikalnog samouvlačećeg uređaja)	CE Modeli	
Raspon kapaciteta	59 kg - 100 kg (130 lbs - 220 lbs)	100 kg - 140 kg (220 lbs - 310 lbs)
Maksimalna sila zaustavljanja	6 kN (612 kg)	6 kN (612 kg)
Prosečna sila zaustavljanja	4 kN (408 kg)	4 kN (408 kg)
Zahtevana maksimalna udaljenost za zaustavljanje¹	0.61 m (24 in)	0.61 m (24 in)
Minimalni zahtev za prostor za pad¹	1.5 m (5 ft)	1.8 m (5.8 ft)
Maksimalni slobodni pad²	1.5 m (5 ft)	1.5 m (5 ft)

1 - Pretpostavlja se da je samouvlačeći uređaj montiran neposredno iznad (iznad glave) krajnjeg korisnika.

2 - Mereno od korisnikovog D-prstena do površine na kojoj se radi ili kreće. Za detalje, pogledajte grafikon(e) prostora za pad.

1.0 PRIMENE

- 1.1 NAMENA:** Samouvlačeći uređaji (SRD-ovi) su konstruisani kao komponente sistema za ličnu zaštitu od pada (PFAS). Slika 1 ilustruje SRD-ove koji su pokriveni ovim uputstvom. Oni se mogu koristiti u većini situacija kada je potrebno kombinovati mobilnost radnika i zaštitu od pada (npr. pri obavljanju kontrole, opštih građevinskih radova, održavanja, rada na naftnim bušotinama, rada u skućenim prostorima, itd.).
- 1.2 STANDARDI:** Vaš SRD je u skladu sa nacionalnim i regionalnim standardom(ima) navedenim na korici ovog uputstva. Za više informacija o ličnoj zaštiti od pada, pročitajte lokalne, državne i federalne (OSHA) zahteve koji regulišu zaštitu na radu.
- 1.3 OBUKA:** Samo osobe koje su završile obuku o pravilnoj upotrebi i nameni ove opreme smeju da je koriste. Odgovornost je korisnika ove opreme da se postara da bude upoznat sa ovim uputstvima i obučen u njenom pravilnom održavanju i upotrebi. Takođe, korisnici moraju poznavati sve operativne karakteristike, ograničenja primene i posledice nepravilne upotrebe ove opreme.
- 1.4 OGRANIČENJA:** Uvek imajte u vidu sledeća ograničenja prilikom montiranja ili korišćenja ove opreme:

- **Kapacitet:** SRD je namenjen za upotrebu od strane jedne osobe, pri čemu kombinovana težina (odeća, alati, itd.) mora da bude unutar *kapaciteta nosivosti* datog u Tabeli 1. Pobrinite se da su sve komponente u vašem sistemu predviđene za kapacitet koji odgovara vašoj primeni.
- **Sidrište:** Konstrukcija sidrišta za SRD mora biti sposobna da podnese opterećenja do 12 kN (1223 kg (2697 funta)). Uređaji za sidrenje moraju biti u skladu sa EN795 ili drugim standardima za sidrišne spojnice.
- **Brzina zabavljanja:** Treba izbegavati situacije kada nije moguće obezbediti putanju pada bez prepreka. Usled rada u skućenim i pretrpanim prostorima ili površinama pod nagibom, telo ne može dovoljno brzo da reaguje i aktivira zabavljanje samouvlačećeg uređaja ako dođe do pada. Takođe, u slučajevima kada se radi sa materijalima koji se sporo pomeraju, kao što su pesak ili žito, možda neće biti dovoljno vremena da se brzo aktivira zabavljanje samouvlačećeg uređaja. Da bi zabavljanje samouvlačećeg uređaja bilo osigurano, potrebno je obezbediti da putanja pada bude oslobođena svih prepreka.
- **Slobodan pad:** Prilikom sidrenja iznad glave, SRD-ovi će ograničiti dužinu slobodnog pada na 0,6 m (2 stope)¹. Da bi se izbeglo povećanje dužine pada, usidrite SRD direktno iznad nivoa na kojem se odvija rad. Nikada nemojte prikačivati SRD za sidrišnu tačku koja će uzrokovati dužinu slobodnog pada preko 1,5 m (5 stopa). Izbegavajte rad u situacijama kada vaše uže može da se ukrsti ili zamrsi sa užetom drugog radnika. Izbegavajte rad ukoliko postoji mogućnost da neki objekat padne i udari u uže, što bi rezultovalo gubitkom ravnoteže ili oštećenjem užeta. Ne dozvolite da sigurnosno uže prolazi ispod ruku ili između nogu. Nikada nemojte stezati, vezivati ili sprečavati uže da se uvlači ili bude zategnuto. Izbegavajte labavost užeta. **Nemojte povećavati dužinu SRD-a tako što ćete pričvršćivati sigurnosno uže ili sličnu komponentu, bez savetovanja sa kompanijom 3M.**
- **Padovi sa ljuljanjem:** Do padova sa ljuljanjem dolazi kada tačka sidrenja nije neposredno iznad tačke na kojoj dolazi do pada. Sila udaranja u objekat u padu sa ljuljanjem može da izazove ozbiljnu povredu (videti Sliku 3A). Svedite na najmanju meru padove sa ljuljanjem tako što ćete raditi što je neposrednije moguće ispod tačke sidrenja (Slika 3B). Rad na udaljenju od tačke sidrenja (Slika 3C) povećaće udar pri padu sa ljuljanjem i povećaće zahtevani prostor za pad (FC).
- **Prostor za pad:** Slika 3B ilustruje izračunavanje prostora za pad. Prostor za pad (FC) je zbir slobodnog pada (FF), rastojanja usporenja (DD) i stepena sigurnosti (SF): $FC = FF + DD + SF$. Klizanje D-prstena i istezanje uprege, uključeni su u stepen sigurnosti. Vrednosti prostora za pad su izračunate i iscrtane na Slici 4. Stepen sigurnosti od 1 m (3,28 stopa) je korišćen za sve vrednosti sa Slike 4.

Slika 4 ilustruje prostor za pad (FC) koji se zasniva na horizontalnom (H) i vertikalnom (V) rastojanju između bočne SRD spojnice i tačke sidrenja. Svaka od horizontalnih linija na karti (kartama) predstavlja vertikalno rastojanje od tačke sidrenja. Svaka od vertikalnih linija mreže predstavlja horizontalno rastojanje od tačke sidrenja. Vrednost prostora za pad (FC) je određena zonom (parabolične linije) u kojoj se presecaju horizontalne (H) i vertikalne (V) linije mreže. Primer na Slici 4 pokazuje na koji način treba odrediti zahtevani prostor za pad (FC), za navedene vertikalna (V) i horizontalna (H) rastojanja.

Promenljive tačke sidrenja: Prostori za pad na Slici 4, zasnovani su na krutoj, stacionarnoj tački sidrenja. Ako se sidri za horizontalno sigurnosno uže (HLL) ili tačku sidrenja koja se može pomerati, klizati ili deformisati u toku pada, vrednosti prostora za pad na Slici 4 neće važiti. Pogledajte uputstvo za HLL ili sidrište, radi dopunskih detalja u vezi sa potrebnim prostorima za pad, otklonima i/ili deformacijama.

Klečanje ili čučanje: Karte rastojanja na Slici 4 pretpostavljaju da je radnik u stojećem položaju. Ako će radnik klečati ili čučati, zahteva se dodatnih 0,9 m (3 stope) prostora za pad.

Nikada se nemojte sidriti ispod stopala: Nikada se nemojte povezivati na sidrišnu tačku ispod stopala.

- **Opasnosti:** Upotreba ove opreme u oblastima sa opasnostima iz okruženja može zahtevati dodatne mere opreza kako bi se sprečile povrede korisnika ili oštećenje opreme. Opasnosti mogu da obuhvate, ali nisu ograničene na: vrućinu, nagrizajuće hemikalije, korozivna okruženja, strujne vodove visokog napona, eksplozivne ili toksične gasove, pokretnu mehanizaciju ili materijale iznad glava korisnika koji prilikom pada mogu doći u kontakt sa korisnikom ili ličnim sistemom za zaustavljanje pada. Izbegavajte rad u situacijama kada vaše uže može da se zamrsi sa užetom drugog radnika. Izbegavajte rad ukoliko postoji mogućnost da neki objekat padne i udari u uže, što bi rezultovalo gubitkom ravnoteže ili oštećenjem užeta. Ne dozvolite da sigurnosno uže prolazi ispod ruku ili između nogu.
- **Oštre ivice:** Oštre ivice sa kojima SRD sigurnosno uže može doći u kontakt u toku pada, moraju imati minimalni radijus zaobljenja od 0,3 cm (0,125 in). Kada je nemoguće izbeći kontakt sa oštrim ivicama, pokrijte ivicu zaštitnim materijalom.

¹ **Slobodan pad:** Korektna primena SRD-a, uz rad korisnika direktno ispod tačke sidrenja i bez labavosti užeta, onemogućuje slobodan pad. Videti Sliku 4 u vezi sa prihvatljivim lokacijama sidrišta.

2.0 Korišćenje sistema

- 2.1 PLAN SPASAVANJA I ZAŠTITE OD PADA:** Poslodavac mora imati spreman plan spasavanja i zaštite od pada. Ovaj plan treba da sadrži smernice i zahteve koje će omogućiti poslodavcu da upravlja programom zaštite od pada, uključujući pravila, obaveze i obuku; procedure koje treba slediti za zaštitu od pada; načine eliminisanja i kontrole opasnosti od pada; procedure za spasavanje; istrage nesrećnih slučajeva; i procenjivanje delotvornosti programa.
- 2.2 UČESTALOST KONTROLE:** SRD-ovi će biti kontrolisani od strane ovlašćenog lica¹ ili spasioca² pre svake upotrebe (videti Tabelu 3). Takođe, pored korisnika, kontrolu sprovodi i kompetentno lice³. U ekstremnim radnim uslovima (oštra klima, produžena upotreba, itd.) neophodna je češća kontrola kompetentnog lica. Kompetentno lice koristiće *Raspored kontrole (Tabela 2)* radi utvrđivanja adekvatnih intervala kontrole. Postupci kontrole su opisani u „Dnevniku kontrola i održavanja“ (Tabela 3). Rezultati svake kontrole kompetentnog lica treba da se evidentiraju u primercima „Dnevnika kontrola i održavanja“ ili da se prate sistemom radio-frekventne identifikacije (RFID) (videti Odeljak 5).
- 2.3 NORMALNO RUKOVANJE:** Normalno rukovanje će sigurnosnom užetu dozvoliti da se izdužuje i uvlači bez zadržke ili labavosti, onako kako se radnik pomera normalnom brzinom. Ako dođe do pada, aktiviraće se sistem kočenja sa detekcijom brzine, zaustavljajući pad i apsorbujući veći deo nastale energije. Iznenaadne ili brze pokrete treba izbegavati prilikom normalnih radnih operacija, jer to može izazvati zabavljanje SRD-a. Za padove koji se dogode blizu završetka hoda sigurnosnog užeta, uključen je i rezervni sistem sigurnosnog užeta ili apsorber energije, kako bi sile kočenja bile umanjene.
- 2.4 ODRŽAVANJE POZICIJE TELA:** Sa samouvlačećim uređajem mora da se koristi potpuna telesna uprega. Tačka kačenja uprege mora biti iznad centra gravitacije korisnika. Nije dozvoljena upotreba pojasa za telo sa samouvlačećim uređajem. Ako dođe do pada prilikom nošenja pojasa za telo, on se može nenamerno otkočiti ili dovesti do fizičkih povreda usled neodgovarajuće podrške za telo.
- 2.5 KOMPATIBILNOST KOMPONENATA:** Ukoliko nije drugačije propisano, 3M opremu treba koristiti samo sa komponentama i podsistemima koje je odobrila kompanija 3M. Izmene ili zamene izvršene sa neodobrenim komponentama ili podsistemima mogu ugroziti kompatibilnost opreme i uticati na bezbednost i pouzdanost celog sistema.
- 2.6 KOMPATIBILNOST SPOJNICA:** Smatra se da su spojnice kompatibilne sa elementima za pričvršćivanje kada su dizajnirane tako da rade zajedno na takav način da njihove veličine i oblici ne dovedu do toga da se njihovi mehanizmi zatvaranja nehodično otvore bez obzira na njihovu orijentaciju tokom rada. Obratite se kompaniji 3M ako imate bilo kakva pitanja o kompatibilnosti. Spojnice (alke, karabinjeri i D-prstenovi) moraju biti u stanju da podnesu najmanje 22,2 kN (2268 kg (5000 funta)). Spojnice moraju biti kompatibilne sa sidrištem ili drugim komponentama sistema. Nemojte koristiti opremu koja nije kompatibilna. Nekompatibilne spojnice se mogu nenamerno otvoriti (videti Sliku 5). Spojnice moraju biti kompatibilne po veličini, obliku i snazi. Potrebne su samozaključavajuće alke i karabinjeri. Ako je element za pričvršćivanje za koji se kači alka ili karabinjer nedovoljne veličine ili nepravilnog oblika, doći će do situacije kada element za pričvršćivanje primenjuje silu na zatvarač alke ili karabinjera (A). Ova sila može dovesti do otvaranja zatvarača (B), što omogućava da se alka ili karabinjer otkoče od tačke pričvršćivanja (C).
- 2.7 PRIČVRŠĆIVANJE:** Sa ovom opremom smete koristiti isključivo samozaključavajuće alke i karabinjere. Pobrinite se da sve kopčice budu kompatibilne po veličini, obliku i snazi. Nemojte koristiti opremu koja nije kompatibilna. Pobrinite se da sve spojnice budu potpuno zatvorene i zaključane. 3M spojnice (alke i karabinjeri) su osmišljene tako da se koriste samo na način naveden u uputstvima za korisnika za svaki proizvod. Videti Sliku 6 za primere neodgovarajućih pričvršćivanja.

Nemojte pričvršćivati alke i karabinjere:

- Na D-prsten na koji je pričvršćena neka druga spojnica.
- Na način koji bi doveo do opterećenja na zatvarač. Alke sa velikim otvorom ne treba pričvršćivati na D-prstenove standardne veličine ili slične objekte jer to stvara opterećenje na zatvarač u slučaju uvrtnja ili rotacije alke ili D-prstena, osim ukoliko alka nije opremljena zatvaračem od 16 kN (1633 kg (3600 funta)).
- U lažnom spoju, kada veličina ili oblik spojnice koje se pričvršćuju jedna za drugu nisu kompatibilni, i kada bez vizuelne potvrde, spojnice izgledaju kao da su u potpunosti pričvršćene.
- Jedne za druge.
- Direktno za sigurnosnu traku ili užu ili užu za pričvršćivanje (osim ukoliko uputstva proizvođača i za užu i za spojnicu eksplicitno ne dozvoljavaju takvo pričvršćivanje).
- Za bilo koji objekat takvog oblika ili dimenzija koji ne dozvoljava da se alka ili karabinjer zatvori i zabrave ili zbog kog bi moglo doći do isklizavanja.
- Na način koji ne dozvoljava da se spojnica pravilno postavi dok je pod opterećenjem.

Tabela 2 - Raspored pregleda

Tipovi korišćenja	Primeri primene	Uslovi korišćenja	Učestalost kontrole
			Kompetentno lice
Retko do lagano	Spasavanje i skućeni prostori, fabričko održavanje	Dobri uslovi skladištenja, korišćenje u zatvorenom ili retko korišćenje u spoljašnjim uslovima, sobna temperatura, čista okruženja	Godišnje
Umereno do teško	Transport, stanogradnja, javne službe, skladišta	Zadovoljavajući uslovi skladištenja, korišćenje u zatvorenom ili duže korišćenje u spoljašnjim uslovima, sve temperature, čista ili prašnja okruženja	Polugodišnje do godišnje
Intenzivno do kontinuirano	Komercijalno građevinarstvo, industrija nafte i gasa, rudarstvo	Nepovoljni uslovi skladištenja, produženo ili stalno korišćenje u spoljašnjim uslovima, sve temperature, zaprljano okruženje	Kvartalno od polugodišnje

¹ **Ovlašćeno lice:** Lice koje je poslodavac imenovao da obavlja dužnosti na lokaciji gde će lice biti izloženo opasnosti od pada.

² **Spasilac:** Lice ili lica koja nisu subjekat spasavanja koja postupaju sa ciljem obavljanja asistiranog spasavanja primenom sistema za spasavanje.

³ **Kompetentno lice:** Lice koje poslodavac odredi i koje je zaduženo za neposredan nadzor, primenu i praćenje programa za zaštitu od pada koji sprovodi poslodavac, i koje je, zahvaljujući svom znanju i obuci, sposobno da prepozna, proceni i reši postojeće i potencijalne opasnosti od pada, i lice koje je poslodavac ovlastio da preduzme brze korektivne mere kako bi se ovakve opasnosti uklonile.

3.0 Instalacija

- 3.1 PLANIRANJE:** Pre nego što počnete sa radom, isplanirajte sistem za zaštitu od pada. Uzмите u obzir sve faktore koji mogu uticati na vašu bezbednost pre, u toku i nakon pada. Razmotrite sve zahteve i ograničenja definisana u Odeljku 2.

U većini primena, Nano-Lok samouvlačeći uređaj se može povezati na sidrište ili na poledinu uprege. Obe orijentacije su dozvoljene, osim u slučajevima navedenim u Odeljku 4

- 3.2 SIDRIŠTE:** Slika 7 prikazuje uobičajene spojeve za sidrenje kod samouvlačećih uređaja. Kao mesto sidrišta izaberite ono gde postoje najmanje opasnosti za pad sa ljuljanjem (videti Odeljak 1). Izaberite čvrstu tačku sidrenja koja može da podnese statička opterećenja definisana u Odeljku 1. Ukoliko nije izvodljivo da postavite tačku sidrenja iznad glave, Nano-Lok samouvlačeći uređaji se mogu pričvrstiti na tačku sidrenja koja se nalazi ispod nivoa korisnikovog lednog D-prstena. Za korisnike sa telesnom težinom do 140 kg (310 lbs), tačka sidrenja ne sme biti udaljena više od 5 ft (1.5 m) ispod lednog D-prstena.
- 3.3 MONTIRANJE NA UPREGU:** Neki modeli samouvlačećih uređaja sadrže jednostruki ili dvostruki sistem povezivanja uprege i samouvlačećeg uređaja za montiranje samouvlačećeg(ih) uređaja na telesnu upregu neposredno ispod lednog D-prstena:

Neke telesne uprege su opremljene ličnom vezom sa samouvlačećim uređajem koja obuhvata ledni D-prsten sa elementima za pričvršćivanje samouvlačećih uređaja koji se montiraju na upregu (slika 8). Takođe je prihvatljivo da se samouvlačeći uređaj poveže sa lednim D-prstenom uprege pomoću karabinera ili spojne alke.

- **Montiranje jednostukog samouvlačećeg uređaja na upregu:** Ukoliko je mobilnost radnika od presudne važnosti, sistem povezivanja uprege i samouvlačećeg uređaja može da se koristi za montiranje samouvlačećeg uređaja na poledinu telesne uprege neposredno ispod lednog D-prstena (videti sliku 9). Radnik tada može da se poveže sa različitim tačkama sidrenja koje se nalaze na celoj lokaciji pomoću užeta povezanog sa samouvlačećim uređajem bez ponovnog instaliranja samouvlačećeg uređaja. Da biste montirali samouvlačeći uređaj na telesnu upregu pomoću sistema za povezivanje uprege:
 1. **Olabavite kaiševe uprege:** Izvucite kaiševe (A) na mestima gde prolaze kroz dno lednog D-prstena (B) sve dok ne dobijete dovoljno prostora za umetanje sistema za povezivanje uprege i samouvlačećeg uređaja između kaiševa i jastučića D-prstena.
 2. **Otvorite sistem za povezivanje uprege:** Istovremeno pritistine nadole dugmad za blokiranje (C) i izvucite klin za blokadu (D).
 3. **Postavite samouvlačeći uređaj na sistem za povezivanje uprege:** Umetnite otvoreni zatvarač sistema za povezivanje uprege kroz otvor obrtne spojke na samouvlačećem uređaju (E). Udenite sistem za povezivanje kroz obrtne spojke tako da samouvlačeći uređaj visi sa potpore sistema za povezivanje uprege (F).
 4. **Postavite sistem za povezivanje uprege na kaiševe:** Postavite otvoreni zatvarač sistema za povezivanje uprege na olabavljene kaiševe (A).
 5. **Zatvorite sistem za povezivanje uprege:** Progurajte klin za blokadu (D) kroz olabavljene kaiševe (A) dok se ne zabravi na suprotnom kraju sistema za povezivanje uprege. Provcute kaiševe nazad kroz ledni D-prsten i poledinski jastučić da biste učvrstili sistem za povezivanje uprege.

Crveni pojas na okruglom kraju klina za blokadu sistema povezivanja uprege biće vidljiv ako je sistem povezivanja uprege otključan. Da biste sprečili slučajan prekid veze, uvek proverite da li je sistem povezivanja uprege zaključan pre upotrebe uprege i prečvršćenog samouvlačećeg uređaja. Ukoliko tako ne postupite, može doći do povrede ili smrti.

- **Montiranje dvostruke uprege sa samouvlačećim uređajem:** U primenama za penjanje gde je neophodno 100% podvezivanje, sistem povezivanja uprege i samouvlačećeg uređaja može se koristiti za montiranje dva uporedna samouvlačeća uređaja na poledini telesne uprege neposredno ispod lednog D-prstena (videti sliku 9). Da biste montirali dva samouvlačeća uređaja na telesnu upregu pomoću sistema povezivanja uprege i samouvlačećeg uređaja:
 1. **Olabavite kaiševe uprege:** Izvucite kaiševe (A) na mestima gde prolaze kroz dno lednog D-prstena (B) sve dok ne dobijete dovoljno prostora za umetanje sistema za povezivanje uprege i samouvlačećeg uređaja između kaiševa i jastučića D-prstena.
 2. **Otvorite sistem za povezivanje uprege:** Istovremeno pritistine nadole dugmad za blokiranje (C) i izvucite klin za blokadu (D).
 3. **Postavite samouvlačeće uređaje na sistem za povezivanje uprege:** Umetnite otvoreni zatvarač sistema za povezivanje uprege kroz otvor obrtne spojke na oba samouvlačeća uređaja (E). Udenite sistem za povezivanje kroz obrtne spojke tako da samouvlačeći uređaji vise sa potpore sistema za povezivanje uprege (F).
 4. **Postavite sistem za povezivanje uprege na kaiševe:** Postavite otvoreni zatvarač sistema za povezivanje uprege na olabavljene kaiševe (A).
 5. **Zatvorite sistem povezivanja uprege:** Progurajte klin za blokadu (D) kroz olabavljene kaiševe (A) dok se ne zabravi na suprotnom kraju sistema za povezivanje uprege. Provcute kaiševe nazad kroz ledni D-prsten i poledinski jastučić da biste učvrstili sistem za povezivanje uprege.

Crveni pojas na okruglom kraju klina za blokadu sistema povezivanja uprege biće vidljiv ako je sistem povezivanja uprege otključan. Da biste sprečili slučajan prekid veze, uvek proverite da li je sistem povezivanja uprege zaključan pre upotrebe uprege i prečvršćenog samouvlačećeg uređaja. Ukoliko tako ne postupite, može doći do povrede ili smrti.

- **Montiranje na upregu dvostrukog samouvlačećeg uređaja sa fiksiranim D-prstenom:** Starija ExoFit telesna uprega sa fiksiranim D-prstenom zahteva specijalni sistem povezivanja uprege i samouvlačećeg uređaja za montiranje dva samouvlačeća uređaja na poledinu uprege neposredno ispod leđnog D-prstena. Da biste montirali dva samouvlačeća uređaja na ExoFit telesnu upregu pomoću sistema povezivanja fiksirnog D-prstena uprege i samouvlačećeg uređaja (slika 10):
 1. **Olabavite kaiševe uprege:** Izvucite kaiševe (A) na mestima gde prolaze kroz dno leđnog D-prstena (B) sve dok ne dobijete dovoljno prostora za umetanje sistema za povezivanje uprege i samouvlačećeg uređaja između kaiševa i poledinskog jastučića.
 2. **Otvorite sistem za povezivanje uprege:** Dok je sistem povezivanja uprege i samouvlačećeg uređaja orijentisan kao na slici, pomerite sigurnosni zavrtanj (C) udesno i zatim ga okrenite u smeru kazaljke na satu da otključate zatvarač (D). Pritisnite zatvarač (D) nadole da biste ga otvorili.
 3. **Udenite prvi samouvlačeći uređaj u sistem povezivanja uprege:** Umetnite nos spojnice (E) kroz otvor obrtne spojke (F) na samouvlačećem uređaju a zatim okrenite samouvlačeći uređaj prema zatvaraču spojnice (G). Zatvarač može biti zatvoren da bi se napravilo prostora za otvor obrtne spojke između zatvarača i kičme spojnice.
 4. **Postavite sistem za povezivanje uprege na kaiševe:** Umetnite nos spojnice (E) iza kaiševa (A). Okrećite spojnicu iza kaiševa dok spojnica ne obuhvati kaiševe.
 5. **Dodajte drugi samouvlačeći uređaj na sistem povezivanja uprege:** Prevucite otvor obrtne spojke samouvlačećeg uređaja (F) preko nosa spojnice (E) i postavite otvor spojnice samouvlačećeg uređaja u nosni deo spojnice.
 6. **Zatvorite sistem za povezivanje uprege:** Dozvolite da se zatvarač (D) zatvori i da se sigurnosni zavrtanj (C) okrene nazad u zaključan položaj. Kada je sistem povezivanja uprege zatvoren, provucite kaiševe (A) nazad kroz leđni D-prsten kako biste eliminisali labavost kaiševa i pričvrstili sistem povezivanja kaiševa i poledinskog jastučića sa upregom.
- **3M® DBI-SALA® Dupli karabiner:** The 3M® DBI-SALA® Dvostruki karabiner je osmišljen za montiranje dva Nano-Lok samouvlačeća uređaja jedan uz drugi na poledinu telesne uprege neposredno ispod leđnog D-prstena (videti sliku 12). Da biste montirali dva Nano-Lok samouvlačeća uređaja na telesnu upregu pomoću dvostrukog karabinera:
 1. **Olabavite kaiševe uprege:** Izvucite kaiševe (A) na mestima gde prolaze kroz dno leđnog D-prstena (B) sve dok ne dobijete dovoljno prostora za umetanje račvastog sistema za povezivanje između kaiševa i jastučića D-prstena.
 2. **Otvorite dvostruki karabiner:** Podignite umetak spojnice (C) da biste odvojili stezaljke (D) od spojnice i zatim okrenite umetak spojnice da biste otključali zatvarač. Pritisnite zatvarač (E) prema unutra da otvorite spojnicu.
 3. **Navucite prvi Nano-Lok samouvlačeći uređaj na dvostruki karabiner:** Umetnite nos spojnice (F) kroz otvor obrtne spojke (G) na samouvlačećem uređaju a zatim okrenite samouvlačeći uređaj prema zatvaraču spojnice (H). Zatvarač se može okrenuti prema nosu da bi se napravio prostor za otvor obrtne spojke između zatvarača i kičme spojnice.
 4. **Postavite dvostruki karabiner na kaiševe:** Kada je zatvarač okrenut nagore, umetnite nos spojnice (F) iza kaiševa (A). Okrećite spojnicu iza kaiševa dok spojnica ne obuhvati kaiševe.
 5. **Dodajte drugi Nano-Lok samouvlačeći uređaj na dvostruki karabiner:** Prevucite otvor obrtne spojke samouvlačećeg uređaja (G) preko nosa spojnice (F) i postavite otvor obrtne spojke samouvlačećeg uređaja u nosni deo spojnice (F). Zatvorite zatvarač (E).
 6. **Zatvorite dvostruki karabiner:** Okrenite umetak spojnice (C) napred tako da se stezaljke (D) pričvrste za spojnicu. Kada je dvostruki karabiner ispravno zatvoren, kaiševi treba da prolaze kroz otvor za kaiševe (J) na vrhu umetka spojnice a otvori obrtnih spojki samouvlačećih uređaja treba da su pričvršćeni u udubljenjima (K) sa obe strane umetka spojnice. Kada je sistem povezivanja uprege zatvoren, provucite kaiševe (A) nazad kroz leđni D-prsten i jastučić D-prstena kako biste eliminisali labavost kaiševa i pričvrstili spojnicu između kaiševa i jastučića D-prstena.
- **3M® DBI-SALA® Karabiner sa dvostrukim klinom:** Ovaj dodatak za upregu može da se koristi za montiranje jednog Nano-Lok samouvlačećeg uređaja, ili dva Nano-Lok samouvlačeća uređaja za potrebe penjanja (videti sliku 11) kada je neophodno 100% podvezivanje:
 1. **Olabavite kaiševe uprege:** Izvucite kaiševe (A) na mestima gde prolaze kroz dno leđnog D-prstena (B) sve dok ne dobijete dovoljno prostora za umetanje račvastog sistema za povezivanje između kaiševa i jastučića D-prstena.
 2. **Za pojedinačnu konfiguraciju:** Postavite otvor obrtne spojke pojedinačnog samouvlačećeg uređaja na središnji otvoreni prostor.
 3. **Za dvostruku konfiguraciju:** postavite otvor obrtne spojke jednog samouvlačećeg uređaja u otvoreni prostor najbliži klinu a drugi samouvlačeći uređaj u prostor najudaljeniji od klina.
 4. Gurnite klin nazad na svoje mesto dok ne čujete klik. Klin mora biti čvrsto pričvršćen na svom mestu.
 5. Istovremeno pritisnite dva dugmeta na strani spojnice uprege dok izvlačite klin. Izvlačenje ovog klina stvara otvoreni prostor.
 6. Zategnite kaiševe direktno ispod leđnog D-prstena na vašoj uprezi. Spojnicu na strani uprege postavite ispod D-prstena.
 7. Gurnite klin nazad na svoje mesto da biste bili sigurni da će klin ostati ispod oba sloja kaiševa uprege dok ne čujete klik. Klin mora biti čvrsto pričvršćen na svom mestu.

4.0 RUKOVANJE

Pre upotrebe samouvlačećeg uređaja, osobe koje po prvi put ili retko koriste samouvlačeće uređaje (SRD), treba da pročitaju „Bezbednosne informacije“ na početku priručnika.

- 4.1 PRE SVAKE UPOTREBE:** Pre svake upotrebe ove opreme za zaštitu od pada, pažljivo je pregledajte da biste bili sigurni da je u dobrom radnom stanju. Proverite da li ima pohabanih ili oštećenih delova. Proverite da li su vijci prisutni i pričvršćeni. Proverite da li se uže pravilno uvlači tako što ćete povući uže i pustiti da se polako uvuče. Ukoliko postoji oklevanje pri uvlačenju, uređaj treba ukloniti iz upotrebe i uništiti. Proverite da li uže ima posekotine, iskrzana mesta, progorela mesta, nagnječenja ili koroziju. Proverite blokiranje tako što ćete oštro povući uže. Pogledajte Dnevnik kontrola i održavanja (tabela 3) za detaljnije informacije o kontroli. Nemojte koristiti sistem ukoliko pregledom otkrijete da uređaj nije bezbedan.
- 4.2 NAKON PADA:** Sva oprema koja je bilo izložena silama zaustavljanja pada ili pokazuje oštećenje u skladu s učinkom sila za zaustavljanje pada kao što je opisano u tabeli 3, mora se odmah ukloniti iz upotrebe i uništiti.
- 4.3 ODRŽAVANJE POZICIJE TELA:** Telesna uprega se mora nositi prilikom korišćenja samouvlačećih uređaja. Za opštu zaštitu od pada, spojite se na zadnji (leđni) D-prsten.
- 4.4 PRIČVRŠČIVANJE:** Slika 5 prikazuje spojnice uprege i sidrišta za sistem zaustavljanja pada sa samouvlačećim uređajem. Prilikom upotrebe kuke za pričvršćivanje, osigurajte da ne dođe do izvlačenja (videti sliku 5). Nemojte koristiti kuke ili spojnice koje ne mogu potpuno da se zatvore preko objekta pričvršćivanja. Nemojte koristiti alke koje nemaju zaključavanje. Sidrište mora da ispunjava zahteve za čvrstoću sidrenja navedene u tabeli 2. Pridržavajte se uputstva proizvođača koje se isporučuje uz svaku komponentu sistema.
- 4.5 RUKOVANJE:** Pre upotrebe, pregledajte samouvlačeći uređaj kao što je opisano u tabeli 3. Slika 14 prikazuje sistem pričvršćivanja u uobičajenim primenama samouvlačećeg uređaja. Povežite samouvlačeći uređaj na odgovarajuće sidrište ili montirajte samouvlačeći uređaj na poledinu telesne uprege prema uputstvima navedenim u odeljku 3. Na samouvlačećim uređajima koji su povezani sa sidrištem, povežite kuku (D) ili karabiner na indikator oprećenja sa leđnim D-prstenom (A) na telesnoj uprezi. Na samouvlačećim uređajima koji su montirani na upregu, povežite kuku (D) ili karabiner na odgovarajuće sidrište. Pobrinite se da sve kopče budu kompatibilne po veličini, obliku i snazi. Pobrinite se da sve kuke budu potpuno zatvorene i zaključane. Po povezivanju, radnik može slobodno da se kreće normalnom brzinom unutar preporučene radne površine. Ako dođe do pada, samouvlačeći uređaj će se zakočiti i zaustaviti pad. Posle spasavanja, uklonite samouvlačeći uređaj iz upotrebe. Prilikom rada sa samouvlačećim uređajem, uvek pustite da se sigurnosno uže povuče nazad u uređaj pod kontrolom.
- 4.6 DVOSTRUKI SISTEM POVEZIVANJA SAMOUVLAČEĆEG UREĐAJA ZA 100% PODVEZIVANJE:** Kada su dva samouvlačeća uređaja montirana jedan pored drugog na poledini telesne uprege, sistem za zaustavljanje pada na samouvlačećem uređaju se može koristiti za neprekidnu zaštitu od pada (100 % podvezivanje) prilikom dizanja, spuštanja ili bočnog kretanja (videti sliku 15). Ono omogućava radniku kretanje dok je jedan krak užeeta samouvlačećeg uređaja pričvršćen za tačku sidrenja. Kada radnik dođe do drugog mesta, pričvršćuje slobodan krak užeeta drugog samouvlačećeg uređaja za drugu tačku sidrenja i nakon toga otkačinje prvi krak sa prve tačke sidrenja. Na ovaj način se omogućava bezbedno kretanje do željenog mesta. Prilikom primene dvostrukog samouvlačećeg uređaja za 100% podvezivanja, imajte na umu sledeće:
- Nikada ne pričvršćujte krakove užeeta oba samouvlačeća uređaja na istu tačku sidrenja (videti sliku 16A).
 - Pričvršćivanje više od jedne spojnice na jednu tačku sidrenja (prsten ili otvor) može da ugrozi kompatibilnost spojenih delova jer dolazi do interakcije između spojnica pa se ovakvi postupci ne preporučuju.
 - Uže svakog od dva samouvlačeća uređaja morate povezati na različite tačke sidrenja (videti sliku 16B).
 - Svako pojedinačno mesto povezivanja mora podržavati 1019 kg (10 kN) težine ili biti projektovani sistem, kao što je to slučaj sa horizontalnim sigurnosnim užeetom.
 - Nikada nemojte pričvršćivati više od jedne osobe u isto vreme na dvostruki sistem samouvlačećih uređaja (slika 16C).
 - Pazite da se uže ne zapetlja ili uvrne jer se onda neće uvući.
 - Prilikom korišćenja, pazite da se krakovi užeeta ne nalaze ispod ruku ili između nogu.
- 4.7 MONTIRANJE DVOSTRUKOG SAMOUVLAČEĆEG UREĐAJA NA LEĐNI D-PRSTEN:** Modeli sa trosigurnosnim karabinerom mogu se montirati na leđni D-prsten u dvostrukoj konfiguraciji. Da biste montirali dva samouvlačeća uređaja na leđni D-prsten uprege (slika 13):
1. **Otvorite trosigurnosni karabiner:** kada je trosigurnosni karabiner okrenut kao na slici, gurnite sigurnosni zavrtnaj (C) udesno i zatim ga okrenite u pravcu kazaljke na satu da otključate zatvarač (D). Pritisnite zatvarač (D) nadole da biste ga otvorili.
 2. **Navucite prvi samouvlačeći uređaj na trosigurnosni karabiner:** umetnite nos spojnice (E) u otvor obrtne spojke (F) na samouvlačećem uređaju i zatim okrenite samouvlačeći uređaj prema zatvaraču spojnice (G). Zatvarač može biti zatvoren da bi se napravilo prostora za otvor obrtne spojke između zatvarača i kičme spojnice.
 3. **Dodajte drugi samouvlačeći uređaj na trosigurnosni karabiner:** Prevucite otvor obrtne spojke samouvlačećeg uređaja (F) preko nosa spojnice (E).
 4. **Provucite trosigurnosni karabiner kroz D-prsten:** Provucite nos spojnice (E) kroz leđni D-prsten (A). Okrećite spojnicu kroz D-prsten sve dok se zatvarač ne zatvori.
 5. **Zatvorite trosigurnosni karabiner:** Dozvolite da se zatvarač (D) zatvori i da se sigurnosni zavrtnaj (C) okrene nazad u zaključan položaj.
- 4.8 HORIZONTALNI SISTEMI:** U primenama gde se samouvlačeći uređaj koristi u kombinaciji sa horizontalnim sistemom (horizontalno sigurnosno uže, kolica za horizontalne I grede), samouvlačeći uređaj i komponente horizontalnog sistema moraju biti međusobno kompatibilne. Horizontalni sistemi moraju biti osmišljeni i instalirani pod nadzorom kvalifikovanog inženjera. Za detaljne informacije pročitajte uputstva proizvođača opreme horizontalnog sistema.

Vrednosti za prostor za pad na slici 4 su bazirane na sidrenju na čvrstu, stacionarnu tačku sidrenja i ne odnose se na sidrenje na sistem horizontalnog sigurnosnog užeeta (HLL). Pročitajte korisničko uputstvo i uputstvo za instalaciju horizontalnog sigurnosnog užeeta za određivanje potrebinog prostora za pad.

5.0 Kontrola

- 5.1 OZNAKA ZA RADIO-FREKVENTNI SISTEM IDENTIFIKACIJE:** Samouvlačeći uređaj ima oznaku za radio-frekventni sistem identifikacije (RFID) (videti sliku 17). Radio-frekventni sistem identifikacije se može koristiti sa ručnim čitačem ili portalom preko interneta, čime se pojednostavljuje kontrola i popis inventara i obezbeđuje evidencija opreme za zaštitu od pada. Za više informacija obratite se korisničkoj službi kompanije 3M (videti zadnju korucu). Da biste preneli podatke u elektronski dnevnik, pratite uputstva priložena uz ručni čitač ili preko internet portala.
- 5.2 UČESTALOST KONTROLE:** Samouvlačeći uređaj se mora kontrolisati u intervalima definisanim u Odeljku 2. Postupci kontrole su opisani u „Dnevniku kontrola i održavanja“ (Tabela 3).

Ekstremni radni uslovi (oštra klima, produžena upotreba, itd.) mogu zahtevati veću učestalost kontrole (videti tabelu 2).

- 5.3 NESIGURNI ILI NEISPRAVNI USLOVI:** Ukoliko pregledom otkrijete da uređaj nije bezbedan ili da je oštećen, odmah uklonite samouvlačeći uređaj iz upotrebe i odbacite ga (videti odeljak 6).

Samo kompanija 3M ili strane koje je kompanija 3M pismeno ovlastila mogu da vrše popravke ove opreme.

- 5.4 VEK TRAJANJA PROIZVODA:** Funkcionalni vek trajanja 3M samouvlačećih uređaja zavisi od radnih uslova i održavanja. Sve dok proizvod zadovoljava kriterijume kontrole može se koristiti (u okvirima maksimalnog veka trajanja proizvoda). Maksimalni vek trajanja samouvlačećeg uređaja sa sigurnosnim užetom od tekstila nije duži od 10 godina od datuma proizvodnje.

6.0 ODRŽAVANJE, SERVISIRANJE I ČUVANJE

- 6.1 ČIŠĆENJE:** Pratite sledeće korake kada čistite samouvlačeći uređaj:

- Povremeno čistite spoljašnji deo samouvlačećeg uređaja vodom u koju ste prethodno rastvorili malo sapuna. Samouvlačeći uređaj postavite tako da se iscedi višak vode. Oznake čistite prema uputstvu.
- Mrežno sigurnosno uže čistite vodom u koju ste prethodno rastvorili malo sapuna. Isperite i ostavite da se prirodno osuši. Nemojte ubrzavati proces sušenja toplotnim uređajima. Pojas treba da bude potpuno suv pre uvlačenja u uređaj. Usled prevelikih naslaga prljavštine, boje, itd. doći će do zastoja prilikom uvlačenja pojasa, što može dovesti do potencijalne opasnosti od slobodnog pada.

- 6.2 SERVISIRANJE:** Ne smete popravljati samouvlačeći uređaj. Ukoliko je samouvlačeći uređaj bio izložen sili pada ili je pregledom utvrđeno da nisu bezbedni ili su oštećeni, uklonite samouvlačeći uređaj iz upotrebe i bacite ga (videti „Odlaganje“).

- 6.3 ČUVANJE/TRANSPORTOVANJE:** Samouvlačeći uređaj čuvajte i transportujte na hladnom, suvom i čistom mestu van direktne sunčeve svetlosti. Izbegavajte prostore u kojima mogu postojati hemijska isparenja. Detaljno pregledajte samouvlačeći uređaj ako nije korišćen duže vreme.

- 6.4 ODLAGANJE:** Bacite samouvlačeći uređaj ako je bilo izložen silama zaustavljanja pada ili ako je pregledom utvrđeno da nije bezbedan ili je oštećen. Pre nego što bacite samouvlačeći uređaj, preseците sigurnosno uže po sredini ili na drugi način onеспособite samouvlačeći uređaj kako biste eliminisali mogućnost slučajne upotrebe.

7.0 Oznake

Slika 22 prikazuje oznake na samouvlačećim uređajima i gde se oznake nalaze. Na samouvlačećem uređaju moraju biti prisutne sve oznake. Oznake moraju biti zamenjene ukoliko nisu potpuno čitljive. Slikovna uputstva na oznakama su definisana na sledeći način:

1	Kontrola spojne alke i pokazatelja prevelikog opterećenja
2	Kontrola blokade samouvlačećeg uređaja
3	Ispravan način povezivanja samouvlačećeg uređaja na upregu
4	Nije sertifikovano za rad u blizini oštrih ivica. Može se povezati sa tačkom sidrenja koja se nalazi iznad, ispod ili u visini leđnog D-prstena (maksimalno 140 kg).
5	Raspon radnih temperatura -40°C – +60°C
6	Maksimalni kapacitet 140 kg
7	Uvek pustite da se sigurnosno uže povuče nazad u samouvlačeći uređaj pod kontrolom
8	Ne vršite popravku
9	Čuvajte i transportujte na hladnom, suvom i čistom mestu van direktne sunčeve svetlosti.
10	Nemojte opterećivati uređaj ako se nalazi na ivici
11	Nemojte uklanjati oznaku

Tabela 3 – Dnevnik kontrola i održavanja

Serijski broj(evi):		Datum kupovine:	
Broj modela:		Datum prve upotrebe:	
Datum kontrole:		Kontrolisao/la:	
Komponenta:	Kontrola: (Videti Odeljak 2 za učestalost kontrola)	Uspešno prošlo kontrolu	Nije uspešno prošlo kontrolu
SRD (Slika 18)	Prekontrolišite da li postoje olabavljeni pričvršćivači ili oštećeni delovi.	<input type="checkbox"/>	<input type="checkbox"/>
	Prekontrolišite da li na kućištu (A) postoje iskrivljenja, pukotine ili druga oštećenja.	<input type="checkbox"/>	<input type="checkbox"/>
	Prekontrolišite da li na obrtnoj spojki (B) i otvoru obrtne spojke (C) ili integralnoj spojnici (D) postoje iskrivljenja, pukotine ili druga oštećenja. Obrtna spojka treba da je čvrsto pričvršćena na samouvlačeći uređaj ali da može slobodno da se obrće. Otvor obrtne spojke ili integralna spojnica treba da se slobodno okreću u obrtnoj spojki.	<input type="checkbox"/>	<input type="checkbox"/>
	Sigurnosno uže (E) treba da se u potpunosti izvlači i uvlači bez oklevanja ili stvaranja labavosti užeta.	<input type="checkbox"/>	<input type="checkbox"/>
	Proverite da li će samouvlačeći uređaj izvršiti blokadu prilikom oštrog cimanja užeta. Blokiranje treba da bude pozitivno i bez proklizavanja.	<input type="checkbox"/>	<input type="checkbox"/>
	Sve oznake moraju biti prisutne i popuno čitljive (videti sliku 20).	<input type="checkbox"/>	<input type="checkbox"/>
	Prekontrolišite ceo samouvlačeći uređaj u potrazi za znacima korozije.	<input type="checkbox"/>	<input type="checkbox"/>
Završne spojnice (Slika 19)	Tabela 2 prikazuje završne spojnice koje bi trebalo da su uključene u vaš model Nano-Lok samouvlačećeg uređaja. Prekontrolišite da li ima nekih znakova oštećenja, korozije, na alkama, karabinjerama, pelikan kukama, spojevima, itd, i da li su u dobrom radnom stanju. Tamo gde su prisutne: Zatvarači treba da se pravilno otvaraju, zatvaraju, zaključavaju i otključavaju, a dugmad i klinovi za blokadu treba da funkcionišu ispravno.	<input type="checkbox"/>	<input type="checkbox"/>
Mrežno sigurnosno uže (Slika 20)	Prekontrolišite tkane trake; materijal ne sme imati posekotine (A), iskrzana mesta (B) ili oštećena vlakna. Proverite da li ima rascepa, abrazija, jakih nečistoća (C), buđi, progorelosti (D) ili promene boje. Proverite ušivke; proverite izvučene ili isečene ušivke. Pokidane ušivke mogu ukazivati na to da je pojas bio previše opterećen i da se mora ukloniti iz upotrebe.	<input type="checkbox"/>	<input type="checkbox"/>
Apsorber energije (Slika 21)	Proverite da integralni apsorber energije nije aktiviran. Otvorena ili pokidana navlaka (A), tkanje izvučeno iz navlake, pokidano ili pohabano tkanje (B), pocepani ili nedostajući ušivci ukazuju na aktiviran apsorber energije.	<input type="checkbox"/>	<input type="checkbox"/>
Korektivna radnja/Održavanje:		Odobrio/la:	
		Datum:	
Korektivna radnja/Održavanje:		Odobrio/la:	
		Datum:	
Korektivna radnja/Održavanje:		Odobrio/la:	
		Datum:	
Korektivna radnja/Održavanje:		Odobrio/la:	
		Datum:	
Korektivna radnja/Održavanje:		Odobrio/la:	
		Datum:	
Korektivna radnja/Održavanje:		Odobrio/la:	
		Datum:	
Korektivna radnja/Održavanje:		Odobrio/la:	
		Datum:	

Läs igenom, se till att du förstår och följ all säkerhetsinformation i den här bruksanvisningen innan du använder den självindragande enheten (SRD). **OM DETTA INTE GÖRS KAN DET LEDA TILL ALLVARLIGA PERSONSKADOR ELLER DÖDSFALL.**

Dessa anvisningar måste lämnas till den som ska använda den här utrustningen. Spara dessa anvisningar för framtida referens.

Avsedd användning:

Den här självindragande enheten är avsedd att användas som en del av ett komplett personligt fallskyddssystem.

Användning för andra syften, inklusive materialhantering, fritids- och idrottsaktiviteter eller andra aktiviteter som inte beskrivs i bruksanvisningen, godkänns inte av 3M och kan resultera i allvarlig skada eller dödsfall.

Utrustningen får endast användas av utbildade användare för professionellt bruk.

! VARNING

Den här självindragande enheten är en del av ett personligt fallskyddssystem. Alla användare förväntas vara fullständigt utbildade i säker installation och användning av sitt personliga fallskyddssystem. **Felaktig användning av denna utrustning kan leda till allvarlig personskada eller dödsfall.** För korrekt val, användning, installation, underhåll och service bör du se denna bruksanvisning, inklusive alla tillverkarens rekommendationer, eller kontakta din arbetsledare eller 3M:s tekniska kundtjänst.

- **För att minska riskerna för allvarlig skada eller dödsfall vid arbete med en självindragande enhet:**
 - Kontrollera den självindragande enheten och att den låser och dras in på rätt sätt före varje användning.
 - Om inspektion avslöjar ett osäkert eller defekt tillstånd ska du ta anordningen ur drift och reparera eller byta ut den i enlighet med bruksanvisningen.
 - Om en självindragande enhet har utsatts för fallstopp eller fallstoppskraft ska den omedelbart tas ur bruk och märkas som "OANVÄNDBAR".
 - Se till att livlinan hålls fri från alla typer av hinder, inklusive intrassling i rörligt maskineri eller utrustning (t.ex. topdrive på oljerigg), andra arbetare, dig själv, omgivande föremål samt risk för stötar från ovanliggande föremål som kan falla ner på livlinan eller arbetaren.
 - Låt aldrig livlinan bli slak. Bind eller knyt inte livlinan.
 - Fäst oanvända ben på din självindragande enhet i selens förvaringsfäste(n), om den har sådant/sådana.
 - Använd inte där det finns hinder i fallvägen. Arbete på långsamt glidande material, t.ex. sand eller spannmål, eller i trånga utrymmen, medger eventuellt inte tillräcklig hastighet för att den självindragande enheten ska kunna låsas. En fri väg är nödvändig för att säkerställa säker låsning av en SRD.
 - Undvik plötsliga eller snabba rörelser under normalt arbete. Dessa kan få enheten att låsa sig.
 - Se till att fallskyddssystem och delsystem som är monterade med komponenter från olika tillverkare är kompatibla och uppfyller kraven i tillämpliga standarder, inklusive ANSI Z359 eller andra tillämpliga regler, standarder eller krav på fallskydd. Rådgör alltid med en kompetent eller kvalificerad person före användning av dessa system.
- **För att minska riskerna för allvarlig skada eller dödsfall vid arbete på höga höjder:**
 - Se till att din hälsa och fysiska kondition medger att du säkert kan motstå alla krafter i samband med arbete på hög höjd. Rådgör med läkare om du har frågor kring din förmåga att använda den här utrustningen.
 - Överskrid aldrig din fallskyddsutrustnings godkända kapacitet.
 - Överskrid aldrig din fallskyddsutrustnings maximala avstånd för fritt fall.
 - Använd aldrig fallskyddsutrustning som inte godkänts vid inspektion före användning eller andra schemalagda inspektioner, eller om du är osäker på huruvida utrustningen kan användas eller lämpar sig för ditt tillämpningsområde. Vänd dig till 3M:s tekniska kundtjänst med eventuella frågor.
 - Vissa kombinationer av undersystem och komponenter kan störa utrustningens funktionsduglighet. Använd endast kompatibla kopplingar. Rådfråga 3M innan du använder denna utrustning i kombination med andra komponenter eller undersystem än de som beskrivs i bruksanvisningen.
 - Var extra försiktig då du arbetar i närheten av rörligt maskineri (t.ex. topdrive på oljerigg), nära farlig elektrisk utrustning, i extrema temperaturer, nära farliga kemikalier, nära explosiva eller giftiga gaser, nära vassa kanter samt under ovanliggande material som kan falla ner på dig eller din fallskyddsutrustning.
 - Använd Arc Flash- eller Hot Works-enheter vid arbete i miljöer med höga temperaturer.
 - Undvik ytor och föremål som kan skada användare eller utrustning.
 - Se till att det finns tillräcklig fallmarginal vid arbete på höga höjder.
 - Du skall aldrig modifiera eller ändra din fallskyddsutrustning. Endast 3M eller av 3M skriftligen auktoriserade parter får utföra reparationer på utrustningen.
 - Innan du använder fallskyddsutrustning skall du kontrollera att det finns en räddningsplan som medger snabb räddning vid eventuellt fall.
 - Vid fall bör arbetaren som fallit få omedelbar läkarvård.
 - Ett kroppsbalte får ej användas för fallstoppstillämpningar. Använd endast helkroppsselar.
 - Minimera risken för pendelfall genom att arbeta med förankringspunkten så rakt ovanför dig som möjligt.
 - Vid utbildning i användning av den här enheten måste ett andra fallskyddssystem användas för att inte utsätta personen som utbildas för en oavsiktlig fallrisk.
 - Använd alltid lämplig personlig skyddsutrustning vid installation, användning eller inspektion av enheten/systemet.

Anteckna ID-etikettens produktidentitetsuppgifter i besiktning- och underhållsloggen på baksidan av denna bruksanvisning innan denna utrustning används.

BESKRIVNING:

I Figur 2 indikeras huvudkomponenterna i 3M™ DBI-SALA® Nano-Lok självindragande enheter, SRL-block. Nano-Lok SRL-block består av en livlina upprullad på en trumma (A) med en integrerad energiabsorbent (B) som dras in i nylonkåpan (C). En svivelögla (D) på blockets översida medger infästning i en godkänd förankringskopplingspunkt med en karbinkrok (E) eller montering på en helkroppssele med en SRL-länk (F). I Figur 1 indikeras tillgängliga Nano-Lok-modeller och deras kopplingskonfigurationer. Se Tabell 1 angående Nano-Lok SRL-blockens kopplingspecifikationer.

Tabell 1 – Specifikationer

Komponentspecifikationer:

SRL-kåpor	Nylon
Trumma	Nylon
Inre delar	Rostfritt stål, aluminium
Vävbandslivlina	Dyneema Polyester
Energiabsorbent	Hölje: Nitrilgummi, Nät: Polyester, Sömmar: Polyester- eller nylontråd
Svivel	Förzinkat stål

Kopplingspecifikationer:

	Beskrivning	Material	Öppningsmekanism	Öppningsstyrka	Draghållfasthet
①	Svivelögla	Stål	22,35 mm (0,88 tum) innerdiameter	X	22,2 kN (5 000 lb)
②	Karbinkrok	Aluminium	19 mm (3/4 tum)	16 kN (3 600 lb)	22,2 kN (5 000 lb)
③	Karbinkrok	Stål	19 mm (3/4 tum)	16 kN (3 600 lb)	22,2 kN (5 000 lb)
④	Enkel SRL-länk	Stål	51 mm (2 tum)	16 kN (3 600 lb)	22,2 kN (5 000 lb)
⑤	Dubbel SRL-länk	Stål med nyloninlägg	19 mm (3/4 tum)	16 kN (3 600 lb)	22,2 kN (5 000 lb)
⑥	Karbinkrok	Aluminium, stål	56 mm (2,19 tum)	16 kN (3 600 lb)	22,2 kN (5 000 lb)
⑦	Karbinkrok	Aluminium	19 mm (3/4 tum)	16 kN (3 600 lb)	22,2 kN (5 000 lb)
⑧	Armeringsjärnkrok	Aluminium	57 mm (2-1/4 tum)	16 kN (3 600 lb)	22,2 kN (5 000 lb)
⑨	Armeringsjärnkrok	Aluminium	63 mm (2 1/2 tum)	16 kN (3 600 lb)	22,2 kN (5 000 lb)
⑩	Karbinkrok	Aluminium	52 mm (2 tum)	16 kN (3 600 lb)	22,2 kN (5 000 lb)
⑪	Armeringsjärnkrok	Aluminium, stål	63 mm (2 1/2 tum)	16 kN (3 600 lb)	22,2 kN (5 000 lb)
⑫	Karbinkrok	Stål	19 mm (3/4 tum)	16 kN (3 600 lb)	22,2 kN (5 000 lb)
⑬	Armeringsjärnkrok	Aluminium	57 mm (2-1/4 tum)	16 kN (3 600 lb)	22,2 kN (5 000 lb)
⑭	Automatkrok	Stål	19 mm (3/4 tum)	16 kN (3 600 lb)	22,2 kN (5 000 lb)

Prestandaspecifikationer:

Specifikationer för SRL-block (vertikalt)	EG-modeller	
	59–100 kg (130–220 lb)	100–140 kg (220–310 lb)
Kapacitet	59–100 kg (130–220 lb)	100–140 kg (220–310 lb)
Maximal stoppkraft	6 kN (1 350 lb)	6 kN (1 350 lb)
Genomsnittlig stoppkraft	4 kN (900 lb)	4 kN (900 lb)
Hävdad maximalt stoppavstånd¹	0,61 m (24 tum)	0,61 m (24 tum)
Minsta erforderliga fallmarginal¹	1,5 m (5 fot)	1,8 m (5,8 fot)
Maximal fri fallhöjd²	1,5 m (5 fot)	1,5 m (5 fot)

1 - Förutsatt att SRL-blocket monteras rakt ovanför användaren.

2 - Mätt från användarens D-ring till gång- eller arbetsytan. Se information i fallmarginaldiagram.

1.0 TILLÄMPNINGAR

- 1.1 SYFTE:** Självindragande livlinor (SRL-block) är avsedda att ingå som komponenter i personliga fallskyddssystem (PFAS). I figur 1 visas de SRL-modeller som denna bruksanvisning gäller. De kan användas i de flesta situationer där både arbetsrörlighet och fallskydd krävs (dvs. besiktningsarbete, allmänt byggarbete, underhållsarbete, oljeproduktion, arbete i trånga utrymmen osv.).
- 1.2 STANDARDER:** SRL-blocket överensstämmer med de nationella standarder som återges på framsidan av dessa instruktioner. Ytterligare information om personliga fallskyddssystem finns i lokala, statliga och federala (OSHA) bestämmelser om arbets säkerhet.
- 1.3 UTBILDNING:** Denna utrustning är avsedd att installeras och användas av personer som är utbildade i korrekt tillämpning och användning av den. Det är användarens ansvar att vara insatt i dessa instruktioner, och att ha korrekt utbildning i skötsel och användning av denna utrustning. Användaren måste också vara medveten om funktionsegenskaper, tillämpningsbegränsningar och följderna av felaktig användning av denna utrustning.
- 1.4 BEGRÄNSNINGAR:** Dessa begränsningar skall alltid observeras när utrustningen installeras eller används.

- **Kapacitet:** Ett SRL-block skall användas för en persons totala vikt (inkl. klädsel, verktyg osv.) enligt *Kapacitetsområde* som anges i tabell 1. Se till att alla komponenter i systemet är märkta för den kapacitet som krävs för tillämpningen.
- **Förankring:** Den konstruktion som SRL-blocket kopplas till skall klara en belastning på upp till 12 kN (2 697 lb). Förankringsanordningarna skall uppfylla kraven enligt EN795 eller andra tillämpliga normer för förankringskopplingar.
- **Låshastighet:** Arrangemang som inte medger obehindrad fallväg bör undvikas. Arbete i begränsade eller trånga utrymmen, eller på sluttande plan kan innebära att kroppen inte når tillräcklig hastighet för att SRL-blocket ska låsas vid ett fall. Arbete på långsamt glidande material, t.ex. sand eller spannmål, kan innebära att tillräcklig hastighet inte uppnås för att SRL-blocket ska låsas. Fri fallväg är en förutsättning för säker låsning av SRL-blocket.
- **Fritt fall:** Vid förankring ovanför huvudhöjd begränsar SRL-blocket fri fallhöjd till 0,6 m [2 fot]¹. Förankra SRL-blocket rakt ovanför arbetsnivån för att undvika större fallhöjder. Koppla aldrig SRL-blocket till en förankringspunkt som ger fritt fall större än 1,5 m. Undvik arbete där livlinan kan korsa eller trasslas in i en annan arbetares livlina. Undvik att arbeta där ett föremål kan falla och träffa livlinan. Du kan tappa balansen och livlinan kan skadas. Dra inte livlinan under armarna eller mellan benen. Se till att livlinan inte kläms eller har knutar eller på annat sätt hindras att dras in eller sträcks fritt. Undvik slak lina. **Förläng inte SRL-linan genom tillkoppling av en livlina eller liknande utan att först rådföra 3M.**
- **Pendelfall:** Pendelfall inträffar när förankringspunkten inte befinner sig rakt ovanför användaren. Kraften av en träff mot ett föremål i ett pendelfall kan orsaka allvarliga personskador (se figur 3A). Minimera risken vid pendelfall genom att arbeta med förankringspunkten så rakt ovanför dig som möjligt (figur 3B). Konsekvenserna av ett pendelfall och fallmarginalen (FC) blir större med ökande avstånd mellan användaren och förankringspunkten (Figur 3C).
- **Fallmarginal:** Fallmarginalen illustreras i Figur 3B. Fallmarginalen (FC) är summan av fritt fall (FF), retardationsavståndet (DD) och en säkerhetsfaktor (SF): $FC = FF + DD + SF$. D-ringsförskjutning och selens sträckning är inkluderade i säkerhetsfaktorn. Fallmarginalvärden har beräknats och visas i figur 4. Säkerhetsfaktorn 1 m (3,28 fot) har använts för alla värden i figur 4.

I figur 4 visas fallmarginalen (FC) baserat på horisontellt (H) och vertikalt (V) avstånd mellan den bakre SRL-kopplingen och förankringspunkten. Varje horisontell rutnätslinje i diagrammet representerar det vertikala avståndet från förankringspunkten. Varje vertikal rutnätslinje representerar det horisontella avståndet från förankringspunkten. Fallmarginalen (FC) bestäms av i vilken zon (paraboliska linjer) de horisontella (H) och vertikala (V) rutnätslinjerna korsar varandra. Exemplet i figur 4 visar hur tillåten fallmarginal (FC) bestäms för de angivna vertikala (V) och horisontella (H) avstånden.

Flyttbara förankringspunkter: Fallmarginalerna i figur 4 är baserade på en fast, stationär förankringspunkt. Fallmarginalvärden från figur 4 gäller inte vid förankring i en horisontell livlina (HLL) eller förankringspunkt som kan flyttas, glida eller förskjutas vid ett fall. Mer information om tillåten fallmarginal, avlänkning och/eller deformation finns i instruktioner för HLL eller förankring.

Ligga på knä eller krypa: Marginaltabellerna i figur 4 gäller under förutsättning att användaren står upp. Om användaren ligger på knä eller kryper krävs ytterligare 0,9 m (3 fot) fallmarginal.

Använd aldrig en förankring under fötternas nivå: Koppla aldrig till en förankringspunkt under fötternas nivå.

- **Risker:** Ytterligare försiktighetsåtgärder kan krävas när utrustningen används i riskfyllda områden, för att minska risken för att användaren eller utrustningen skadas. Riskerna kan vara exempelvis hög värme, frätande kemikalier, korrosiva miljöer, högspänningsledning, explosiva eller giftiga gaser, maskiner i rörelse eller material på högre höjd som kan falla ned och träffa användare eller fallskyddssystem. Undvik arbete där livlinan kan korsa eller trasslas in i en annan arbetares livlina. Undvik att arbeta där ett föremål kan falla och träffa livlinan. Du kan tappa balansen och livlinan kan skadas. Dra inte livlinan under armarna eller mellan benen.
- **Vassa kanter:** Vassa kanter som SRL-livlinan kan komma i kontakt med under ett fall måste ha en minsta radie på 0,3 cm (1/8 tum). Täck kanter som inte kan undvikas med skyddande material.

¹ **Fritt fall:** Fritt fall elimineras genom korrekt användning av SRL-blocket, där användaren arbetar rakt under förankringspunkten utan slack i livlinan. Se figur 4 för godkända placeringar av förankringspunkten.

2.0 Användning av systemet

- 2.1 FALLSKYDD- OCH RÄDDNINGSPÅN:** Arbetsgivaren måste ha en fallskydds- och räddningsplan. Planen ska innehålla riktlinjer och krav för en arbetsgivares fallskyddsprogram, inklusive policy, skyldigheter och utbildning, fallskyddsprocedurer, eliminering och förebyggande åtgärder för fallolyckor, räddningsprocedurer, olycksutredningar och utvärdering av programmets effektivitet.
- 2.2 BESIKTNINGSINTERVALL:** SRL-block ska besiktas av en behörig person¹ eller räddningspersonal² före varje användning (se tabell 3). Besiktning ska dessutom utföras av en kompetent person³, annan än användaren. Extrema arbetsförhållanden (krävande miljö, lång tids användning osv.) kan kräva tätare besiktningar av kompetent person. Den kompetenta personen ska använda *Besiktningsschemat (tabell 2)* för att fastställa lämpliga besiktningintervall. Besiktningprocedurerna beskrivs i *Besiktning- och underhållslogg (tabell 3)*. Resultatet av en besiktning utförd av kompetent person ska dokumenteras i *"Besiktning- och underhållslogg"* eller registreras med RFID-systemet (se *avsnitt 5*).
- 2.3 NORMAL FUNKTION:** Normal funktion innebär att livlinan kan dras ut och in utan hinder när användaren rör sig med normal hastighet. Om ett fall inträffar aktiveras ett hastighetsavkännande bromssystem som stoppar fallet och tar upp en stor del av den energi som frigörs. Plötsliga eller snabba rörelser bör undvikas under normala arbetsförhållanden då det kan orsaka att SRL-blocket låser sig. Vid fall när livlinan är nästan helt utdragen begränsas fallstoppskraften av en inbyggd reservanordning eller energiabsorbent.
- 2.4 KROPPSSTÖD:** En helkroppssele måste användas tillsammans med en självindragande enhet. Selens kopplingspunkt måste vara placerad ovanför användarens tyngdpunkt. Ett kroppsbälte är inte godkänt för användning tillsammans med en självindragande enhet. Ett fall med ett kroppsbälte kan leda till att livlinan släpper oavsiktligt eller fysiskt trauma på grund av otillräckligt kroppsstöd.
- 2.5 KOMPATIBILITET MED KOMPONENTER:** Utrustning från 3M är, om inget annat anges, endast avsedd för komponenter och undersystem som har godkänts av 3M. Byte till icke godkända komponenter eller undersystem kan äventyra utrustningens kompatibilitet och även påverka hela systemets säkerhet och tillförlitlighet.
- 2.6 KOPPLINGARS KOMPATIBILITET:** En koppling anses vara kompatibel med kopplingselement om den är konstruerad för att fungera i kombination på ett sätt så att kopplingens storlek och form inte orsakar att öppningsmekanismen kan öppnas oavsiktligt, oavsett i vilken riktning den vänds. Kontakta 3M om du har frågor om kompatibilitet. Kopplingar (krokar, karbinkrokar och D-ringar) måste kunna bära belastningar med minst 22,2 kN (5 000 lb). Kopplingar måste vara kompatibla med förankringar eller andra systemkomponenter. Använd inte utrustning som inte är kompatibel. Icke-kompatibla kopplingar kan lossna av misstag (se figur 5). Kopplingar måste vara kompatibla i storlek, form och styrka. Självlåsande automatkrokar och karbinkrokar krävs. Om ett kopplingselement som en automatkrok eller karbinkrok fästs i är underdimensionerat eller har felaktig form, kan en situation uppstå där kopplingselementet anbringar en kraft på automatkrokens eller karbinkrokens (A) öppningsmekanism. Denna kraft kan orsaka att öppningsmekanismen öppnas (B), vilket medför att automatkroken eller karbinkroken kan lossna från kopplingspunkten (C).
- 2.7 KOPPLINGAR:** Automatkrokar och karbinkrokar som används med denna utrustning skall vara självlåsande. Kontrollera att alla kopplingar är kompatibla i storlek, form och styrka. Använd inte utrustning som inte är kompatibel. Kontrollera att alla kopplingar är helt stängda och låsta. 3M:s kopplingar (automatkrokar och karbinhakar) är endast avsedda att användas enligt produkternas respektive bruksanvisningar. Olämpliga kopplingar visas i figur 6.

Koppla inte mer än en automatkrok och karbinkrok:

- A. till en D-ring,
- B. på ett sätt som kan orsaka att öppningsmekanismen belastas. En automatkrok med stor öppning får inte kopplas till en D-ring i standardstorlek eller liknande om det kan innebära att krokens öppningsmekanism belastas om kroken eller D-ringen vrids eller roterar, såvida inte automatkroken är utrustad med en öppningsmekanism med 16 kN (3 600 lb) kapacitet,
- C. i en falsk koppling, där kopplingars storlek eller form inte är kompatibla och kopplingarna, utan visuell kontroll, förefaller korrekt kopplade,
- D. till varandra,
- E. direkt till vävband, säkringsrep eller omtagslinor (såvida inte tillverkarens instruktioner för både kopplingslinan och kopplingen specifikt tillåter sådan anslutning),
- F. till ett föremål som är utformat eller har sådan storlek att automatkroken eller karbinkroken inte stängs, eller om det finns risk för utrullning,
- G. på ett sätt som inte tillåter kopplingen att vara korrekt riktad vid belastning.

Tabell 2 – Besiktningsschema

Typ av användning	Användningsexempel	Användningsvillkor	Besiktningintervall
			Kompetent person
Sällan till lätt	Räddning och trånga utrymmen, fabriksunderhåll	Goda förvaringsförhållanden, användning inomhus eller sällan utomhus, rumstemperatur, rena miljöer	Årligen
Måttligt till tungt	Transport, husbyggnad, underhåll, lager	Medelgoda förvaringsförhållanden, användning inomhus och långvariga arbetstillfällen utomhus, alla temperaturer, ren eller dammig miljö	Halvårsvis eller årligen
Svårt till kontinuerligt	Kommersiell byggnation, olja och gas, gruvsdrift	Svåra förvaringsförhållanden, längre eller kontinuerlig användning utomhus, alla temperaturer, smutsig miljö	Kvartalsvis till halvårsvis

1 Behörig person: En person som utsetts av arbetsgivaren att utföra arbeten på platser där personen utsätts för fallrisk.

2 Räddare: Person eller personer, andra än den nödställda, som deltar i utförandet av en räddning med hjälp av ett räddningssystem.

3 Kompetent person: En person som utsetts av arbetsgivaren att ansvara för tillsyn, genomförande och uppföljning av arbetsgivarens fallskyddsprogram och som, genom utbildning och kunskap, kan identifiera, utvärdera och hantera befintliga och potentiella fallrisker, och som av arbetsgivaren tilldelats befogenhet att omedelbart vidta korrigerande åtgärder med avseende på sådana risker.

3.0 Installation

- 3.1 PLANERING:** Planera ditt fallskyddssystem innan arbetet påbörjas. Ta hänsyn till alla faktorer som kan påverka säkerheten före, under och efter ett fall. Ta hänsyn till alla krav och begränsningar som är angivna i Avsnitt 2.

Vid de flesta tillämpningarna kan Nano-Lok SRL-block kopplas till förankringen eller selens bakre D-ring. Båda riktningarna är tillåtna, med undantag för vad som beskrivs i Avsnitt 4

- 3.2 FÖRANKRING:** Figur 7 visar typiska förankringskopplingar för SRL-block. Välj en förankringsplats med minimala risker för fritt fall och pendelfall (se Avsnitt 1). Välj en stabil förankringspunkt som klarar de statiska belastningarna enligt Avsnitt 1. Om förankring ovanför arbetsplatsen inte är möjlig kan Nano-Lok SRL-livlinor kopplas till en förankringspunkt under den bakre D-ringens nivå på användaren. För användare med vikt upp till 140 kg (310 lb) får förankringspunkten inte sitta mer än 1,5 m (5 fot) under den bakre D-ring.

- 3.3 INFÄSTNING I SELE:** För vissa SRL-modeller ingår en enkel eller dubbel SRL-länk som kan monteras på helkroppsselen direkt nedanför den bakre D-ring:

Vissa helkroppsselar är utrustade med en personlig SRL-länk (PSRL-länk) som sammanbinder den bakre D-ring med fästpunkter för selmonterade SRL-block (Figur 8). Det är även tillåtet att koppla SRL-bucket till selens bakre D-ring med en karbinkrok eller automatkrok.

- **Fästa ett SRL-block i sele:** Om användarens rörlighet har avgörande betydelse kan en SRL-länk användas för infästning av SRL-blocket på selens baksida precis nedanför den bakre D-ring (se Figur 9). Användaren kan då koppla SRL-blockets lina till alternerande förankringspunkter i arbetsområdet istället för upprepad montering av SRL-blocket. För att fästa SRL-blocket på en helkroppssela med SRL-länk:
 1. **Lossa selens vävband:** Dra ut vävstropparna (A) där de passerar genom den undre delen av den bakre D-ring (B) så att tillräcklig plats finns att skjuta in SRL-länken mellan vävstropparna och D-ringsplattan.
 2. **Öppna selens SRL-länk:** Tryck ner låsknapparna (C) samtidigt och skjut ut låstappen (D).
 3. **Sätta fast SRL-blocket på SRL-länken:** För in SRL-länkens öppna låsmekanism genom den roterande öglan på SRL-blocket (E). Trä SRL-länken genom de roterande öglorna så att SRL-blocket hänger i selens ryggplatta (F).
 4. **Placera SRL-länken omkring vävstropparna:** Placera SRL-länkens öppningsmekanism omkring de lösa vävstropparna (A).
 5. **Stäng selens SRL-länk:** Tryck SRL-länkens låssprint (D) genom de lösa vävstropparna (A) tills den låses på plats i SRL-länkens motsatta ände. Dra tillbaka vävstropparna genom den bakre D-ring och ryggplattan för att fästa selens SRL-länk.

Det röda bandet på änden av SRL-länkens låssprint syns om SRL-länken är olåst. Förhindra oavsiktlig upplåsning av kopplingen genom att alltid se till att selens SRL-länk är låst innan selen med monterad SRL används. Att förbise detta kan leda till personskador eller dödsfall.

- **Fästa dubbla SRL-block i sele:** Vid klättring där 100 % avbindning krävs kan dubbel SRL-länk användas för montering av två SRL-block bredvid varandra på helkroppsselens baksida precis under den bakre D-ring (se Figur 9) för att montera två SRL-block på en helkroppssela med dubbel SRL-länk:
 1. **Lossa selens vävband:** Dra ut vävstropparna (A) där de passerar genom den undre delen av den bakre D-ring (B) så att tillräcklig plats finns att skjuta in SRL-länken mellan vävstropparna och D-ringsplattan.
 2. **Öppna selens SRL-länk:** Tryck ner låsknapparna (C) samtidigt och skjut ut låstappen (D).
 3. **Fäst SRL-blocket i SRL-länken:** För in SRL-länkens öppna låsmekanism genom den roterande öglan på SRL-blocket (E). Trä SRL-länken genom de roterande öglorna så att SRL-blocket hänger i selens ryggplatta (F).
 4. **Placera SRL-länken omkring vävstropparna:** Placera SRL-länkens öppningsmekanism omkring de lösa vävstropparna (A).
 5. **Stäng selens SRL-länk:** Tryck SRL-länkens låssprint (D) genom de lösa vävstropparna (A) tills den låses på plats i SRL-länkens motsatta ände. Dra tillbaka vävstropparna genom den bakre D-ring och ryggplattan för att säkra selens SRL-länk.

Det röda bandet på änden av SRL-länkens låssprint syns om SRL-länken är olåst. Förhindra oavsiktlig upplåsning av kopplingen genom att alltid se till att selens SRL-länk är låst innan selen med monterad SRL används. Att förbise detta kan leda till personskador eller dödsfall.

- **Fästa dubbla SRL-block i sele med fast D-ring:** På äldre ExoFit helkroppsselar med fast D-ring krävs en speciell SRL-länk för koppling av två SRL-block på selens baksida precis under den bakre D-ringen. För att montera två SRL-block på en ExoFit helkroppssela med dubbel SRL-länk och fast D-Ring (Figur 10):
 1. **Lossa selens vävband:** Dra ut vävstropparna (A) där de löper igenom den nedre delen av den bakre D-ringen (B) så långt att tillräcklig plats finns att föra in den dubbla SRL-länken mellan vävbandstropparna och ryggplattan.
 2. **Öppna selens SRL-länk:** Med den dubbla SRL-länken placerad enligt figur, tryck låsspännet (C) åt höger och vrid sedan sedan medurs för att låsa upp öppningsmekanismen (D). Vrid öppningsmekanismen (D) för att öppna.
 3. **Trä på det första SRL-blocket på SRL-länken:** För in kopplingens spets (E) genom svivelöglan (F) på SRL-blocket och vrid sedan SRL-blocket till kopplingens (G) öppningsmekanism. Öppningsmekanismen kan stängas för att ge svivelöglan spelrum mellan öppningsmekanismen och kopplingens tapp.
 4. **Placera vävstropparna så att SRL-länken omsluter dem:** För in kopplingens spets (E) bakom vävstropparna (A). Vrid kopplingen bakom vävstropparna tills kopplingen omger vävstropparna.
 5. **Sätt fast det andra SRL-blocket på SRL-länken:** Skjut SRL-blockets svivelögla (F) över kopplingens spets (E) och placera SRL-blockets svivelögla i kopplingens spetsände.
 6. **Stäng selens SRL-länk:** Låt låsmekanismen (D) stängas och låsmanteln (C) rotera tillbaka till låst läge. När selens SRL-länk är stängd, dra tillbaka vävstropparna (A) genom den bakre D-ringen så att vävbanden sträcks och lås selens länk mellan vävstropparna och ryggplattan.
- **3M™ DBI-SALA® Dubbel karbinkrok:** 3M™ DBI-SALA® dubbel karbinkrok är avsedd för koppling av två Nano-Lok SRL-block bredvid varandra på baksidan av en helkroppssela precis nedanför den bakre D-ringen (se Figur 12). För att montera två Nano-Lok SRL-block på en helkroppssela med dubbel karbinkrok:
 1. **Lossa selens vävband:** Dra ut vävstropparna (A) där de går igenom den undre delen av den bakre D-ringen (B) tills det finns tillräckligt med plats för att skjuta in den dubbla SRL-länken mellan vävstropparna och den D-ringsplattan.
 2. **Öppna den dubbla karbinkroken:** Tryck upp kopplingen (C) för att snäppa upp klämmorna (D) från kopplingen och vrid kopplingen uppåt för att låsa upp öppningsmekanismen. Tryck öppningsmekanismen (E) inåt för att öppna kopplingen.
 3. **Trä på det första Nano-Lok SRL-blocket på den dubbla karbinkroken:** För in kopplingens spets (F) genom svivelöglan (G) på SRL-blocket och vrid sedan SRL-blocket till sidan med öppningen på kopplingen (H). Öppningsmekanismen kan vridas mot spetsen för att ge spelrum för svivelöglan mellan öppningsmekanismen och kopplingens tapp.
 4. **Placera vävstropparna så att den dubbla karbinkroken omsluter dem:** Med öppningsmekanismen vänd uppåt, för in kopplingens spets (F) bakom vävstropparna (A). Vrid kopplingen bakom vävstropparna tills kopplingen omger vävstropparna.
 5. **Lägg till det andra Nano-Lok SRL-blocket på den dubbla karbinkroken:** Skjut SRL-blockets svivelögla (G) över kopplingens spets (F) och placera SRL-blockets svivelögla vid kopplingens spets (F). Vrid öppningsmekanismen (E) till stängt läge.
 6. **Stäng den dubbla karbinkroken:** Vrid kopplingen (C) framåt så att klämmorna (D) säkras på kopplingen. När den är ordentligt stängd ska vävstropparna löpa genom vävöppningen (J) på ovansidan av kopplingen och SRL:ens svivelögglor ska säkras i urtagen (K) på endera sida av kopplingen. När selens länk är stängd, dra tillbaka vävstropparna (A) genom den bakre D-ringen och D-ringplattan så att vävbanden sträcks och lås kopplingen mellan vävstropparna och D-ringplattan.
- **3M™ DBI-SALA® Karbinkrok med dubbel sprint:** Denna selinfästning kan användas för att fästa ett eller två Nano-Lok SRL-block för klättringstillämpningar (se Figur 11) när fullständig avbindning krävs:
 1. **Lossa selens vävband:** Dra ut vävstropparna (A) där de går igenom den undre delen av den bakre D-ringen (B) tills det finns tillräckligt med plats för att skjuta in den dubbla SRL-länken mellan vävstropparna och den D-ringsplattan.
 2. **För enkel konfiguration:** Placera svivelöglan på ett SRL-block i det öppna utrymmet i mitten.
 3. **För dubbel konfiguration:** Placera svivelöglan på ett SRL-block i det öppna utrymme som är närmast sprinten och ett SRL-block i det öppna utrymme längst bort från sprinten.
 4. Skjut tillbaka sprinten tills ett klick hörs. Sprinten skall vara säkert låst på plats.
 5. Tryck samtidigt in de två knapparna på selens sida av kopplingen och dra ut sprinten. När sprinten dras ut uppstår ett öppet utrymme.
 6. Dra upp ett stycke av vävbandet direkt bakom den bakre D-ringen på selen. Placera kopplingens sida mot selen nedanför D-ringen.
 7. Skjut tillbaka sprinten och se till att den förblir under båda lagren av vävband och förs i läge med ett klick. Sprinten skall vara säkert låst på plats.

4.0 HANDHAVANDE

Personer som sällan eller för första gången använder Rebel SRL-enheter skall först läsa igenom säkerhetsinformationen i början av denna manual.

- 4.1 FÖRE VARJE ANVÄNDNING:** Denna fallskyddsutrustning skall kontrolleras grundligt före varje användning för säkerställande av funktionsdugligt skick. Kontrollera om det finns utslitna eller skadade delar. Säkerställ att alla bultar sitter på plats och är åtdragna. Kontrollera att livlinan dras in korrekt genom att dra ut linan och sakta låta den dras in. Om det finns tveksamheter vid indragningen ska enheten tas ur bruk och förstöras. Kontrollera eventuella skärskador, fransar, brännskador, krosskador och korrosion på livlinan. Kontrollera låsfunktionen genom att rycka hårt i linan. Information om besiktning finns i Besiktning- och underhållslogg (Tabell 3). Använd inte anordningen om ett osäkert tillstånd upptäcks vid besiktning.

- 4.2 EFTER ETT FALL:** All utrustning som har utsatts för fallstoppskrafter eller visar tecken på skador likvärdiga med påverkan av fallstoppskrafter enligt beskrivningen i Tabell 3, ska omedelbart tas ur bruk och kasseras.
- 4.3 KROPPSSTÖD:** En helkroppssele måste bäras när SRL-enheter används. För allmänt fallskydd ska livlinan anslutas till den bakre (rygg-) D-ringen.
- 4.4 KOPPLING:** I Figur 5 visas sele och förankringskopplingar för fallskyddssystem med SRL-block. Säkerställ att utrullning inte kan inträffa när koppling görs med en krok (se Figur 5). Använd inte krokar eller kopplingar som inte stängs helt över kopplingsföremålet. Använd inte automatkrokar utan självlåsand funktion. Förankringen måste uppfylla hållfasthetskraven som anges i Tabell 2. Följ tillverkarens medföljande anvisningar för varje systemkomponent.
- 4.5 ANVÄNDNING:** Kontrollera SRL-blocket enligt beskrivning i Tabell 3 före användning. I Figur 14 visas systemkopplingar för vanliga SRL-tillämpningar. Koppla SRL-blocket i en lämplig förankring eller montera det på baksidan av en helkroppssele enligt instruktionerna i Avsnitt 3. Om SRL-blocket kopplas i en förankring ska kroken (D) eller karbinkroken med lastindikator fästas i helkroppsselens bakre D-ring (A). Om SRL-blocket är monterat på selen kopplas kroken (D) eller karbinkroken i lämplig förankring. Kontrollera att kopplingarnas mått, form och styrka är kompatibla. Kontrollera att krokarna är helt stängda och låsta. En användare som är kopplad kan röra sig fritt inom det rekommenderade arbetsområdet med normal hastighet. Om ett fall inträffar låses SRL-blocket och stoppar fallet. Ta SRL-blocket ur bruk efter räddning. Vid arbete med ett SRL-block ska livlinan alltid kunna dras in i enheten på ett kontrollerat sätt.
- 4.6 SRL-LÄNK FÖR TVÅ SRL-BLOCK MED 100 % AVBINDNING:** Om två SRL-block är monterade sida vid sida på helkroppsselens baksida, kan SRL-fallskyddssystemet användas som kontinuerligt fallskydd (100 % avbindning) under uppstigning, nedstigning eller rörelser i sidled (se Figur 15). Med det ena SRL-blockets livlina kopplad till en förankringspunkt, kan användaren flytta sig till ett nytt läge, fästa det andra SRL-blockets livlina i en annan förankringspunkt, och sedan koppla bort den ursprungliga förankringspunkten. Detta upprepas tills användaren når önskad plats. Att tänka på vid dubbla SRL-block med 100 % avbindning:
- Koppla aldrig båda SRL-livlinorna i samma förankringspunkt (se Figur 16A).
 - Anslutning av mer än en koppling till samma förankring (ring eller ögla) kan äventyra kompatibiliteten för anslutningen på grund av interaktion mellan kopplingarna, och rekommenderas därför inte.
 - SRL-livlinorna får endast kopplas till olika förankringspunkter (Figur 16B).
 - Varje kopplingspunkt måste oberoende av varandra klara 10 kN (2 248 lb) eller vara ett specialkonstruerat system, t.ex. en horisontell livlina.
 - Koppla aldrig mer än en person samtidigt till ett system med dubbla SRL-block (Figur 16C).
 - Låt inte livlinorna trassla in sig i varandra eftersom det kan hindra dem från att dras in.
 - Dra inga livlinor under armarna eller mellan benen under användning.
- 4.7 FÄSTA TVÅ SRL-BLOCK I BAKRE D-RING:** Modeller med trippelfunktionskarbinkrok kan fästas i den bakre D-ringen med dubbel konfiguration. För att fästa två SRL-block i den bakre D-ringen på en sele (Figur 13):
- 1. Öppna trefunktionskarbinkroken:** Med trefunktionskarbinkroken inriktad enligt figur, tryck låsmanteln (C) åt höger och vrid den sedan moturs för att låsa upp låsmekanismen (D). Vrid öppningsmekanismen (D) för att öppna.
 - 2. Trä på det första SRL-blocket på trefunktionskarbinkroken:** För in kopplingens spets (E) genom svivelögla (F) på SRL-blocket och vrid sedan runt SRL-blocket till kopplingens öppningssida (G). Öppningsmekanismen kan stängas för att ge svivelögla spelrum mellan öppningsmekanismen och kopplingens tapp.
 - 3. Lägg till det andra SRL-blocket på trefunktionskarbinkroken:** Skjut SRL-blockets svivelögla (F) över kopplingens spets (E).
 - 4. Trä trefunktionskarbinkroken genom D-ringen:** För in kopplingens spets (E) genom den bakre D-ringen (A). Vrid kopplingen genom D-ringen tills låsmekanismen kan stängas.
 - 5. Öppna trefunktionskarbinkroken:** Låt låsmekanismen (D) stängas och låsmanteln (C) rotera tillbaka till låst läge.
- 4.8 HORIZONTELLA SYSTEM:** I tillämpningar med ett SRL-block och ett horisontellt system (dvs. horisontell livlina, horisontella I-balkvagnar), måste SRL-blocket och komponenterna i det horisontella systemet vara kompatibla. Horisontella system måste utformas och installeras under övervakning av en kompetent person. Detaljerad information finns i anvisningarna från tillverkaren av den horisontella utrustningen.

Värden på fallmarginalen i Figur 4 baseras på förankring i en stabil, stationär förankringspunkt, och gäller inte för förankring i en horisontell livlina (HLL-system). Se instruktioner för installation och användning av HLL-system för att fastställa vilken fallmarginal som krävs för dessa system.

5.0 Besiktning

- 5.1 RFID-TAGG:** Den självindragande enheten har en RFID-tag (Radio Frequency Identification) (se Figur 17). RFID-märkningen kan användas tillsammans med bärbar avläsningsenhet och webbportalen för enklare besiktning och inventarietkontroll och framtagning av protokoll för fallskyddsutrustningen. Mer information ges av en 3M-kundtjänstrepresentant (se bakre omslaget). Följ anvisningarna som medföljer den bärbara läsaren eller på webbportalen för att överföra data till din webblogg.

5.2 BESIKTNINGSINTERVALL: Den självindragande enheten skall besiktas med de intervall som anges i Avsnitt 2. Besiktningssprocedurerna beskrivs i "Besiktning- och underhållslogg" (Tabell 3).

Vid extrema arbetsförhållanden (krävande miljö, långtidsanvändning osv.) kan tätare besiktningar vara nödvändigt (se Tabell 2).

5.2 OSÄKRA ELLER DEFEKTA TILLSTÅND: Om osäkra eller defekta tillstånd upptäcks vid besiktning ska SRL omedelbart tas ur bruk och kasseras (se Avsnitt 6).

Endast 3M eller av 3M skriftligen auktoriserade parter får utföra reparationer på utrustningen.

5.3 PRODUKTENS LIVSLÄNGD: Livslängden för 3M självindragande enheter är beroende av arbetsförhållanden och underhåll. Det får användas så länge det uppfyller besiktningsskruven (inom angiven produktlivslängd). Angiven produktlivslängd för SRL-block med vävbandslinor är högst tio år från tillverkningsdatum.

6.0 UNDERHÅLL, SERVICE och FÖRVARING

6.1 RENGÖRING: Följande rengöringsprocedurer gäller för SRL-block:

- Rengör regelbundet SRL-blockets utsida med vatten och mild tvållösning. Placera SRL-blocket i ett läge så att vatten kan rinna ut. Rengör etiketterna efter behov.
- Rengör vävbandslivlinan med vatten och mild tvållösning. Skölj och låt den lufttorka helt. Snabbtorka inte genom uppvärmning. Livlinan ska vara torr innan den dras in i kåpan. För stora ansamlingar av smuts, färg m.m. kan hindra att livlinan dras in helt och orsaka risk för fritt fall.

6.2 SERVICE: SRL-block kan inte repareras. Ett SRL-block som har utsatts för fallstoppkraft eller vid besiktning visat tecken på osäkra eller defekta tillstånd, skall tas ur bruk och kasseras (se "Kassering").

6.3 FÖRVARING/TRANSPORT: Förvara och transportera SRL-blocket i sval, torr och ren miljö skyddad från direkt solljus. Undvik platser där det kan finnas kemiska ångor. Kontrollera SRL-blocket grundligt efter längre förvaringstid.

6.4 KASSERING: Kassera SRL-blocket om det har utsatts för fallstoppskrafter eller om ett osäkert eller defekt tillstånd upptäcks vid besiktning. Före kassering av ett SRL-block ska livlinan skäras av eller enheten tas ur bruk på annat sätt så att möjligheten till felaktig återanvändning undviks.

7.0 Etiketter

I Figur 22 visas vilka etiketter som finns på SRL-blocket, och deras placering. Alla etiketter måste sitta på plats på SRL-enheten. Etiketter som inte är helt läsbara skall bytas ut. Etiketternas symboler definieras enligt följande:

1	Inspektera automatkrok och anslagsindikator
2	Inspektera SRL:ens låsningsfunktion
3	Korrekt anslutning av SRL-block till sele
4	Inte certifierad för vassa kanter. Kan anslutas till en förankringspunkt över eller i nivå med den bakre D-ringen (högst 140 kg).
5	Användningstemperatur: -40 till +60 °C
6	Högsta tillåtna belastning 140 kg
7	Se till att livlinan alltid löper tillbaka in i SRL-blocket på ett kontrollerat sätt
8	Reparera ej
9	Förvaras på sval, torr och ren plats skyddad från direkt solljus.
10	Belasta inte över en kant
11	Ta inte bort etikett

Tabell 3: Besiktnings- och underhållslogg

Serienummer:		Inköpsdatum:	
Modellnummer:		Datum för första användning:	
Besiktningsdatum:		Besiktning utförd av:	
Komponent:	Besiktning: <i>(Se Avsnitt 2 angående besiktningsintervall)</i>	Godkänd	Underkänd
SRL (Figur 18)	Kontrollera om några skruvar är lösa eller några delar har deformerats eller skadats.	<input type="checkbox"/>	<input type="checkbox"/>
	Kontrollera att skyddshöljet (A) inte är skevt, sprucket eller skadat på annat sätt.	<input type="checkbox"/>	<input type="checkbox"/>
	Kontrollera att sviveln (B) och svivelöglan (C) eller den integrerade kopplingen (D) inte är skeva, spruckna eller skadade på annat sätt. Sviveln bör vara säkert fäst vid livlinan, men den ska snurra svänga fritt. Svivelöglan eller den integrerade anslutningen ska rotera fritt i sviveln.	<input type="checkbox"/>	<input type="checkbox"/>
	Livlinan (E) ska dras ut och dras in utan tvekan eller att skapa en slak lina.	<input type="checkbox"/>	<input type="checkbox"/>
	Kontrollera att SRL-blocket låses vid snabba ryck i livlinan. Låsningen ska ske vid dragning och utan att slira.	<input type="checkbox"/>	<input type="checkbox"/>
	Alla etiketter måste sitta på plats och vara helt läsliga (se Figur 20).	<input type="checkbox"/>	<input type="checkbox"/>
	Kontrollera hela SRL-blocket avseende tecken på korrosion.	<input type="checkbox"/>	<input type="checkbox"/>
Ändkopplingar (Figur 19)	I Tabell 2 visas de ändkopplingar som skall finnas på ett Nano-Lok SRL-block. Kontrollera alla automatkrokar, karbinkrokar, balkkrokar, förbindningslänkar mm. avseende tecken på skador, rost och att de fungerar korrekt. I förekommande fall: Öppningsmekanismer ska öppna, stänga, låsa och låsa upp korrekt, låsknappar och låstappar ska fungera rätt.	<input type="checkbox"/>	<input type="checkbox"/>
Vävbandslivlina (Figur 20)	Kontrollera vävbanden. De får inte ha hack (A), fransar (B) eller brustna fibrer. Leta efter revor, avskavningar, kraftig nedsmutsning (C), mögel, brännskador (D), eller missfärgning. Kontrollera att sömmarna inte har några utdragna eller avklippta stygn. Trasiga sömmar kan vara ett tecken på att selen har blivit stötblastad och måste tas ur bruk.	<input type="checkbox"/>	<input type="checkbox"/>
Energiabsorbent (Figur 21)	Kontrollera att den integrerade stötdämparen inte har aktiverats. Ett öppet lock eller slitet lock (A), vars vävband har dragits ut från locket, blivit utsatt för slitage eller gått sönder (B), har bruten söm etc. är indikatorer på en aktiverad stötdämpare.	<input type="checkbox"/>	<input type="checkbox"/>
Korrigerande åtgärd/underhåll:		Godkänt av:	
		Datum:	
Korrigerande åtgärd/underhåll:		Godkänt av:	
		Datum:	
Korrigerande åtgärd/underhåll:		Godkänt av:	
		Datum:	
Korrigerande åtgärd/underhåll:		Godkänt av:	
		Datum:	
Korrigerande åtgärd/underhåll:		Godkänt av:	
		Datum:	
Korrigerande åtgärd/underhåll:		Godkänt av:	
		Datum:	
Korrigerande åtgärd/underhåll:		Godkänt av:	
		Datum:	

GÜVENLİK BİLGİLERİ

Kendinden Geri Çekmeli Cihazı (SRD) kullanmadan önce bu talimatlardaki tüm güvenlik bilgilerini okuyun, anlayın ve izleyin. BUNUN YAPILMAMASI AĞIR YARALANMAYA VEYA ÖLÜME YOL AÇABİLİR.

Bu talimatlar, bu ekipmanın kullanıcılarına verilmelidir. Bu talimatları ileride kullanmak üzere saklayın.

Kullanım Amacı:

Kendinden Geri Çekmeli Cihaz, düşmeye karşı komple bir kişisel koruma sisteminin parçası olarak kullanılmak içindir.

Bir sınırlama olmaksızın malzeme taşıma, eğlence veya spor ile ilgili faaliyetler veya Kullanıcı Talimatlarında açıklanmamış diğer faaliyetler dâhil olmak üzere başka bir uygulamada kullanılması 3M tarafından onaylanmamaktadır ve ağır yaralanmaya veya ölüme yol açabilir.

Bu cihaz yalnızca işyeri uygulamalarında eğitim almış kullanıcılar tarafından kullanıma yöneliktir.

! UYARI

Kendinden Geri Çekmeli Cihaz, düşmeye karşı kişisel bir koruma sisteminin parçasıdır. Tüm kullanıcıların kendi kişisel düşmeye karşı koruma sistemlerinin güvenli şekilde takılması ve kullanılması konusunda tam olarak eğitim almış olmaları beklenir. **Ürün sınırlamalarına uyulmaması ağır yaralanmaya veya ölüme yol açabilir.** Doğru şekilde seçmek, çalıştırmak, takmak ve bakımını ve servisini yapmak için tüm üretici tavsiyeleri dahil olmak üzere bu Kullanım Talimatlarına bakın, amirinize sorun veya 3M Teknik Servisine danışın.

- **Sakınılmadığı takdirde ağır yaralanmaya veya ölüme yol açabilecek olan bir SRD ile çalışmanın risklerini azaltmak için:**
 - Her kullanımdan önce SRD'yi inceleyin ve düzgün şekilde kilitletiğini ve geriye çekildiğini kontrol edin.
 - İncelemede güvenli olmayan veya kusurlu bir durum ortaya çıkması halinde cihazı hizmet dışına çıkarın ve Kullanım Talimatlarına göre tamir edin veya değiştirin.
 - SRD bir düşmeyi engelleme işlemi yaptığı veya darbe kuvvetine maruz kaldığı zaman SRD'yi hemen hizmet dışına çıkarın ve 'KULLANILAMAZ' etiketini yapıştırın.
 - Cankurtaran halatının aşağıdaki dâhil ancak bunlarla sınırlı olmamak kaydıyla tüm engellemelerden uzakta olmasına dikkat edin: hareketli makinelere veya donanıma dolaşma (örneğin petrol kulelerinin üst tahrik mekanizması), diğer işçiler, kendiniz, çevredeki nesnelere veya cankurtaran halatının veya işçinin üzerine düşebilecek baş üstü nesnelere çarpmaları.
 - Cankurtaran halatının gevşek kalmasına asla izin vermeyin. Cankurtaran halatını bağlamayın veya düğümlemeyin.
 - Güvenlik Kemerine Monte Edilen SRD'nin kullanılmayan ayak(lar)ını, donatılmış ise, güvenlik kemeri park ataşman(lar)ına takın.
 - Düşme yolu engellenmiş olan uygulamalarda kullanmayın. Kum veya tahlil gibi yavaş şekilde kayan malzemelerin üzerinde veya dar veya sıkışık mekânlarda kullanılması durumunda işçinin SRD'nin kilitletmesine neden olacak yeterli hıza ulaşmasına imkân olmayabilir. SRD'nin pozitif şekilde kilitletmesini sağlamak için açık bir yol gerekir.
 - Normal iş faaliyetleri sırasında ani veya hızlı hareketlerden kaçının. Bu durum cihazın kilitletmesine yol açabilir.
 - Farklı üreticiler tarafından üretilmiş bileşenlerin birbirine monte edilmesiyle oluşturulan düşmeye karşı koruma sistemlerinin/ alt sistemlerinin birbirine uyum sağladığından ve ANSI Z359 veya geçerli diğer düşmeye karşı koruma yasaları, standartları veya düzenlemeleri dâhil olmak üzere geçerli standartların koşullarını karşıladığından emin olun. Bu sistemleri kullanmadan önce daima Yetkin ve/veya Vasıflı bir Kişiyi danışın.
- **Kaçınılmadığı takdirde, ağır yaralanmaya veya ölüme yol açabilecek olan yüksekte çalışma ile ilgili riskleri azaltmak için:**
 - Sağlığınızın ve fiziksel durumunuzun yüksekte çalışma ile ilişkili tüm kuvvetlere güvenli şekilde dayanmanıza olanak vermesine dikkat edin. Bu ekipmanı kullanma yeteneğiniz ile ilgili sorularınız olduğu takdirde doktorunuza danışın.
 - Düşmeye karşı koruma ekipmanınızın izin verilen kapasitesini asla aşmayın.
 - Düşmeye karşı koruma ekipmanınızın maksimum serbest düşme mesafesini asla aşmayın.
 - Kullanım öncesi incelemeyi veya diğer programlı muayeneleri geçemeyen veya ekipmanın sizin uygulamanızdaki kullanımı veya uygunluğu bakımından endişeleriniz olduğu zaman, düşmeye karşı koruma ekipmanınızı kullanmayın. Tüm sorularınız için 3M Teknik Servisine danışın.
 - Bazı alt sistem ve bileşen kombinasyonları, bu ekipmanın çalışmasına engel olabilir. Yalnızca uyumlu bağlantılar kullanın. Bu ekipmanı Kullanma Talimatlarında belirtilenler dışında bileşenler veya alt sistemler ile birlikte kullanmadan önce 3M'ye danışın.
 - Hareketli makineler (örneğin petrol kulelerinin üst sürücü mekanizması), elektrik tehlikeleri, aşırı sıcaklıklar, kimyasal tehlikeler, patlayıcı veya zehirli gazlar, keskin kenarlar çevresinde veya sizin veya düşmeye karşı koruma donanımınızın üzerine düşebilecek baş üstü malzemelerin altında çalışırken ilave önlemler kullanın.
 - Yüksek ısı ortamlarında çalışırken Ark Parlama veya Sıcak Çalışma cihazları kullanın.
 - Kullanıcıya veya ekipmana zarar verebilecek yüzeylerden ve nesnelere kaçın.
 - Yüksekte çalışırken yeterli düşme açıklığının bulunmasına dikkat edin.
 - Düşmeye karşı koruma ekipmanınızda asla tadilat veya değişiklik yapmayın. Bu ekipmanı yalnızca 3M veya 3M tarafından yazılı olarak yetki verilmiş taraflar tamir edebilir.
 - Düşmeye karşı koruma ekipmanınızı kullanmadan önce, bir düşme kazası olması durumunda, hemen kurtarma işi yapmaya olanak veren bir kurtarma planının bulunduğunu kontrol edin.
 - Bir düşme olayı durumunda, düşen işçi için hemen tıbbi yardım isteyin.
 - Düşmeyi engelleme uygulamaları için bir vücut kemeri kullanmayın. Sadece Tam Vücut Güvenlik Kemerini kullanın.
 - Ankraj noktasının mümkün olduğunca doğrudan altında çalışarak sallanarak düşmeleri asgari düzeye indirin.
 - Bu cihazda eğitim alıyorsa, eğitim alan kişiyi beklenmedik bir düşme tehlikesine maruz bırakmayacak biçimde ikincil bir düşmeye karşı koruma sistemi kullanılmalıdır.
 - Cihazı/sistemi takarken, kullanırken veya muayene ederken daima uygun kişisel koruyucu ekipman kullanın.

Bu ekipmanı kullanmadan önce kimlik etiketindeki ürün tanımlama bilgilerini bu kılavuzun arkasındaki 'Muayene ve Bakım Günlüğü'ne kayıt edin.

AÇIKLAMA:

Şekil 2 3M™ DBI-SALA® Nano-Lok Geri Sarımlı Cihazların (SRD'ler) önemli bileşenlerini belirtmektedir. Nano-Lok SRD'ler bir Naylon Muhafaza (C) içine toparlanan hizalı bir Enerji Emiciye (B) sahip tambura sarılmış Ağ Cankurtaran Halatlarıdır (A). Muhafazanın üzerindeki Döner Göz (D) bir Karabina (E) ile geçerli bir ankraj bağlantı noktasına bağlantıya veya bir Kemer Arayüzü (F) ile bir Tam Vücut Kemerine montaja olanak tanır. Şekil 1'de mevcut Nano-Lok modelleri ve bunların konnektör konfigürasyonları gösterilmiştir. Nano-Lok SRD'nin ve konnektörün teknik özellikleri için Tablo 1'e bakın.

Tablo 1 – Teknik Özellikler

Bileşen Teknik Özellikleri:

SRL Muhafazaları	Naylon
Tambur	Naylon
İç Bileşenler	Paslanmaz Çelik, Alüminyum
Ağ Cankurtaran Halatı	Dyneema Polyester
Enerji Emici	Kaplama: Nitril Kauçuk, Ağ: Polyester, Dikiş: Polyester veya Naylon İplik
Fırdöndü	Çinko Kaplamalı Çelik

Konnektörün Teknik Özellikleri:

	Açıklama	Malzeme	Kapı Açıklığı	Kapı Dayanımı	Gerilme Dayanımı
1	Döner Göz	Çelik	22,35 mm (0,88 inç) iç çap	X	22,2 kN (5000 lib)
2	Karabina	Alüminyum	19 mm (3/4 inç)	16 kN (3600 lib)	22,2 kN (5000 lib)
3	Karabina	Çelik	19 mm (3/4 inç)	16 kN (3600 lib)	22,2 kN (5000 lib)
4	Tekli SRD Arayüzü	Çelik	51 mm (2 inç)	16 kN (3600 lib)	22,2 kN (5000 lib)
5	İkiz SRD Arayüzü	Çelik / Naylon İç Parçalı	19 mm (3/4 inç)	16 kN (3600 lib)	22,2 kN (5000 lib)
6	Karabina	Alüminyum, Çelik	56 mm (2,19 inç)	16 kN (3600 lib)	22,2 kN (5000 lib)
7	Karabina	Alüminyum	19 mm (3/4 inç)	16 kN (3600 lib)	22,2 kN (5000 lib)
8	Takviye Kancası	Alüminyum	57 mm (2-1/4 inç)	16 kN (3600 lib)	22,2 kN (5000 lib)
9	Takviye Kancası	Alüminyum	63 mm (2-1/2 inç)	16 kN (3600 lib)	22,2 kN (5000 lib)
10	Karabina	Alüminyum	52 mm (2 inç)	16 kN (3600 lib)	22,2 kN (5000 lib)
11	Takviye Kancası	Alüminyum, Çelik	63 mm (2-1/2 inç)	16 kN (3600 lib)	22,2 kN (5000 lib)
12	Karabina	Çelik	19 mm (3/4 inç)	16 kN (3600 lib)	22,2 kN (5000 lib)
13	Takviye Kancası	Alüminyum	57 mm (2-1/4 inç)	16 kN (3600 lib)	22,2 kN (5000 lib)
14	Yaylı Kanca	Çelik	19 mm (3/4 inç)	16 kN (3600 lib)	22,2 kN (5000 lib)

Performans Özellikleri:

SRL Teknik Özellikleri (Dikey)	CE Modelleri	
Kapasite Aralığı	59 kg - 100 kg (130 lib - 220 lib)	100 kg - 140 kg (220 lib - 310 lib)
Maksimum Önleme Kuvveti	6 kN (1350 lib)	6 kN (1350 lib)
Ortalama Önleme Kuvveti	4 kN (900 lib)	4 kN (900 lib)
Etikette Belirtilen Maksimum Önleme Mesafesi¹	0,61 m (24 inç)	0,61 m (24 inç)
Gerekli Minimum Düşme Boşluğu¹	1,5 m (5 fit)	1,8 m (5,8 fit)
Maksimum Serbest Düşme²	1,5 m (5 fit)	1,5 m (5 fit)

1 - SRL'nin doğrudan son kullanıcının üzerine (yükseğe) monte edildiği kabul edilmektedir.

2 - Kullanıcının D Halkasından yürüme/çalışma yüzeyine kadar ölçülür. Ayrıntılar için Düşme Boşluğu Tablolarına bakın.

1.0 UYGULAMALAR

- 1.1 AMAÇ:** Kendinden Geri Çekmeli Cihazlar (SRD'ler), bir kişisel düşme önleme sisteminde (PFAS) kullanılacak bir bileşen olarak tasarlanmıştır. Şekil 1, bu talimat kılavuzunda ele alınan SRD'leri göstermektedir. Çalışan hareketi ve düşme korumasının bir birleşiminin gerektiği çoğu durumda (ör: inceleme işleri, genel inşaat, bakım işleri, petrol üretimi, dar alanda çalışma vb.) kullanılmaları mümkündür.
- 1.2 STANDARTLAR:** SRD'niz, bu talimatların ön kapağında belirtilen ulusal veya bölgesel standarda/standartlara uymaktadır. Kişisel Düşme Koruması ile ilgili ek bilgiler için iş güvenliği ile ilgili yerel, eyalet ve federal (OSHA) gerekliliklere bakın.
- 1.3 EĞİTİM:** Bu ekipmanın, doğru uygulama ve kullanım konusunda eğitilmiş kişilerce kullanılması amaçlanmıştır. Bu talimatları bilmek ve ekipmanın doğru kullanımı ve bakımı konusunda eğitim almak kullanıcının sorumluluğundadır. Kullanıcılar ayrıca işletim özellikleri, uygulama limitleri ve yanlış kullanımın sonuçlarını biliyor olmalıdır.
- 1.4 SINIRLAMALAR:** Bu ekipmanı kurduğunuzda veya kullandığınızda her zaman aşağıdaki sınırlamaları göz önünde bulundurun:

- **Kapasite:** SRD'ler toplam ağırlığı (giysi, aletler, vb.) Tablo 1'de belirtilen *Kapasite Aralığını* karşılayan bir kişi tarafından kullanım içindir. Sisteminizdeki tüm bileşenlerin uygulama için uygun bir kapasitede değerlendirilmiş olduğundan emin olun.
- **Ankraj:** SRD için ankraj yapısı, 12 kN'ye (2.697 lib) kadar yükleri destekleyebilir olmalıdır. Ankraj cihazları EN795 veya diğer geçerli ankraj konnektörü standartlarına uygun olmalıdır.
- **Kilitleme Hızı:** Engelsiz bir düşme yoluna olanak sağlamayan durumlardan kaçınılmalıdır. Sıkışık veya sınırlı alanlarda veya eğimli bir yüzeyde çalışmak, vücudun düşme durumunda SRD'nin kilitlenmesine yol açacak yeterli hız ulaşmasına olanak sağlamayabilir. Kum veya tanecik gibi yavaşça kayan malzemelerle çalışmak, SRD'nin kilitlenmesine neden olacak yeterli hız artışına olanak sağlamayabilir. SRD'nin pozitif şekilde kilitlenmesini sağlamak için açık bir yol gerekir.
- **Serbest Düşme:** Yüksekliğe bağlandığında SRD'ler 0,6 m'ye (2 fit) kadar serbest düşme mesafesi ile sınırlandırılacaktır¹. Artan düşme mesafelerinin önüne geçmek için, SRD'yi doğrudan doğruya çalışma seviyesinin üzerinde sabitleyin. SRD'yi hiçbir zaman 1,5 m'den (5 fit) büyük serbest düşme oluşturacak bir ankraj noktasına bağlamayın. Kendi cankurtaran halatınızın başka bir işçinin halatına dolanabileceği veya karışabileceği yerlerde çalışmaktan kaçının. Bir nesnenin düşerek cankurtaran halatına çarpabileceği ve bunun da denge kaybı ve cankurtaran halatı hasarıyla sonuçlanabileceği yerlerde çalışmaktan kaçının. Cankurtaran halatının kolların altından ya da bacıkların arasından geçmesine izin vermeyin. Cankurtaran halatını asla sıkıştırmayın, düğümlemeyin ya da çekilmesini veya gerilmesini önlemeyin. Gevşek halat kullanımından kaçının. **3M'ye danışmadan ip veya benzer bir bileşen bağlayarak SRD'leri uzatmayın.**
- **Sallanarak Düşmeler:** Sallanarak Düşmeler, ankraj noktası düşmenin meydana geldiği noktanın doğrudan üzerinde olmadığına gerçekleşmektedir. Sallanarak düşmede bir nesneye çarpma kuvveti ciddi bir yaralanmaya neden olabilir (Şekil 3A'ya bakın). Ankraj noktasının mümkün olduğunca doğrudan altında çalışarak sallanarak düşmeleri asgari düzeye indirin (Şekil 3B). Ankraj noktasından uzakta çalışmak (Şekil 3C) sallanarak düşmenin etkisini ve gerekli Düşme Boşluğunu (FC) artıracaktır.
- **Düşme Boşluğu:** Şekil 3B, Düşme Boşluğu Hesaplamasını göstermektedir. Düşme Boşluğu (FC) Serbest Düşme (FF), Yavaşlama Mesafesi (DD) ve Güvenlik Faktörü (SF) toplamıdır: $FC = FF + DD + SF$. Güvenlik Faktörüne D-Halka Kayma ve Kemer Esnemesi dâhildir. Düşme Boşluğu değerleri hesaplanmıştır ve Şekil 4'te grafik halinde verilmiştir. Şekil 4'teki tüm değerler için 1 m'lik (3,28 fit) bir Güvenlik Faktörü kullanılmıştır.

Şekil 4, sırt SRD bağlantısı ve ankraj noktası arasında Yatay (H) ve Dikey (V) mesafesine dayalı Düşme Boşluğunu (FC) göstermektedir. Grafiklerde her yatay ızgara çizgisi ankraj noktasına olan dikey mesafeyi temsil etmektedir. Her dikey ızgara çizgisi ankraj noktasına olan yatay mesafeyi temsil etmektedir. Düşme Boşluğu değeri (FC) Yatay (H) ve Dikey (V) ızgara çizgilerinin kesiştiği bölgeye (parabolik çizgiler) göre belirlenir. Şekil 4'teki örnek, belirtilen Dikey (V) ve Yatay (H) mesafeler için gerekli Düşme Boşluğu değerinin (FC) nasıl belirleneceğini göstermektedir.

Değişken Ankraj Noktaları: Şekil 4'teki Düşme Boşlukları rijit, sabit bir ankraj noktasına dayalıdır. Yatay Cankurtaran Halatına (HLL) veya hareket edebilen, kayabilen veya düşüş sırasında deforme olabilen ankraj noktasına bağlantı yapılırsa Şekil 4'teki Düşme Boşluğu değerleri geçerli olmayacaktır. Gerekli düşme boşlukları, sapmalar ve/veya deformasyonlar hakkında ek bilgiler için HLL veya ankraj talimatlarına bakın.

Diz Üstü Çökme veya Çömelme: Şekil 4'teki Boşluk Grafiklerinde işçinin ayakta durduğu kabul edilmiştir. İşçi diz üstü çöküyorsa veya çömeliyorsa ek olarak 0,9 m'lik (3 fit) bir Düşme Boşluğu gereklidir.

Hiçbir zaman ayak seviyesinin altında ankraj yapmayın: Hiçbir zaman ayaklarınızın altındaki bir ankraj noktasına bağlamayın.

- **Tehlikeler:** Bu ekipmanın, çevrede tehlikelerin bulunduğu alanlarda kullanılması sırasında kullanıcının yaralanma veya ekipmanın zarar görme olasılığını azaltmak için ek önlemler alınması gerekebilir. Yüksek ısı, yakıcı kimyasallar, aşındırıcı ortamlar, yüksek voltajlı elektrik hatları, patlayıcı veya zehirli gazlar, hareket eden makineler veya düşerek kullanıcıya veya düşme önleme sistemine temas edebilecek baş üstü düzeydeki malzemeler gibi tehlikeler bulunabilir, ancak tehlikeler bunlarla sınırlı değildir. Cankurtaran halatınızın başka bir işçininkine dolanabileceği veya karışabileceği yerlerde çalışmaktan kaçının. Bir nesnenin düşerek cankurtaran halatına çarpabileceği ve bunun da denge kaybı ve cankurtaran halatı hasarıyla sonuçlanabileceği yerlerde çalışmaktan kaçının. Cankurtaran halatının kolların altından ya da bacıkların arasından geçmesine izin vermeyin.
- **Keskin Kenarlar:** SRD cankurtaran halatının düşüş esnasında temas edebileceği keskin kenarların yarıçapı minimum 0,3 cm (0,125 inç) olmalıdır. Keskin bir kenarla temas kaçınılmazsa, kenarı koruyucu malzeme ile kaplayın.

2.0 Sistem Kullanımı

- 1 Serbest Düşme:** Kullanıcının doğrudan ankraj noktasının altında çalıştığı ve cankurtaran halatında gevşeme olmayan doğru SRD uygulaması Serbest Düşmeyi engelleyecektir. Kabul edilebilir ankraj konumları için Şekil 4'e bakın.

- 2.1 DÜŞME KORUMA VE KURTARMA PLANI:** İşveren bir Düşme Koruma ve Kurtarma Planına sahip olmalıdır. Politikalar, görevler ve eğitim; düşme koruma prosedürleri; düşme tehlikelerinin ortadan kaldırılması ve kontrolü; kurtarma prosedürleri; olay soruşturmaları ve programın etkililiğinin değerlendirilmesi dahil olmak üzere, plan, işverenin yönetilen düşme koruma programı için kılavuzlar ve gereklilikler sunulmalıdır.
- 2.2 MUAYENE SIKLIĞI:** SRD'ler, görevli kişi¹ ya da kurtarma görevlisi² tarafından her kullanımdan önce muayene edilmelidir (Tablo 3'e bakın). Ek olarak, muayeneler kullanıcı dışındaki yetkili bir kişi³ tarafından yürütülmelidir. Aşırı çalışma koşulları (sert çevre şartları, uzun süreli kullanım vb.) daha sık yetkili kişi muayeneleri gerektirebilir. Yetkili kişi uygun muayene aralıklarını belirlemek için *Muayene Planı'nı* (Tablo 2) kullanacaktır. Muayene prosedürleri, *Muayene ve Bakım Günlüğü'nde* (Tablo 3) açıklanmıştır. Yetkili Kişi muayenesinin sonuçları, *Muayene ve Bakım Günlüğü'ne* ya da Radyo Frekansı Belirleme (RFID) sistemine kaydedilmelidir (Bölüm 5'e bakın).
- 2.3 NORMAL İŞLETİMLER:** Normal işletim, işçi normal hızlarla hareket ederken duraklama ya da gevşeme olmaksızın cankurtaran halatının uzayıp çekilmesine olanak sağlayacaktır. Bir düşme meydana gelirse, bir hız algılayıcı fren sistemi etkinleşecek, düşmeyi durduracak ve oluşan enerjinin büyük bir kısmını absorbe edecektir. Normal iş operasyonu sırasında ani veya hızlı hareketlerden kaçınılmalıdır, zira bu SRD'nin kilitlenmesine neden olabilir. Cankurtaran halatı alanının ucuna yakın gerçekleşen düşmeler için, düşme önleme kuvvetlerini azaltmak üzere bir yedek cankurtaran halatı sistemi veya Enerji Emiciye yer verilmiştir.
- 2.4 VÜCUT DESTEĞİ:** Kendinden Geri Çekmeli Cihazla birlikte bir Tam Vücut Kemerini kullanılmalıdır. Kemer bağlantı noktası kullanıcının ağırlık merkezinin üzerinde olmalıdır. Kendinden Geri Çekmeli Cihaz ile emniyet kemeri kullanımına izin verilmemektedir. Kullanıcı emniyet kemeri kullanırken düşerse, yanlış gövde desteği nedeniyle istemsiz serbest bırakmaya ve fiziksel travmaya neden olabilir.
- 2.5 BİLEŞENLERİN UYUMLULUĞU:** Aksi belirtilmediği takdirde 3M ekipmanı, sadece 3M onaylı bileşenler ve alt sistemlerle birlikte kullanım için tasarlanmıştır. Onaylanmamış bileşenler veya alt sistemlerle yapılan değiştirmeler ekipmanın uyumluluğunu riske atabilir ve komple sistemin güvenliği ve güvenilirliğini etkileyebilir.
- 2.6 KONNEKTÖRLERİN UYUMLULUĞU:** Konnektörler, nasıl yönlendirilirse yönlendirilsinler, boyutları ve şekilleri geçme mekanizmalarının yanlışlıkla açılmasına neden olmadan birlikte çalışacak şekilde tasarlandığı takdirde bağlantı elemanları ile uyumlu kabul edilir. Uyumluluk konusunda bir sorunuz olduğu takdirde 3M ile görüşün. Konnektörler (kancalar, karabinalar ve D-halkaları) en az 22,2 kN (5,000 lib) değerini destekleyecek kapasitede olmalıdır. Konnektörler, tespit yeri veya diğer sistem bileşenleri ile uyumlu olmalıdır. Uyumlu olmayan ekipmanı kullanmayın. Uyumlu olmayan konnektörler istenmeyen açılmalara yol açabilir (Şekil 5'e bakın). Konnektörler ebat, şekil ve direnç açısından uyumlu olmalıdır. Kendinden kilitli yaylı kancalar ve karabinalar kullanılması gerekmektedir. Bir yaylı kancanın veya karabinanın (A) bağlı olduğu bağlantı elemanı gerekenden daha küçük boyutlu veya bozuk şekilli olduğu takdirde, bağlantı elemanının yaylı kanca veya karabina ağzına kuvvet uyguladığı bir durum ortaya çıkabilir. Bu kuvvet, kapının açılmasına (B) sebep olarak, yaylı kanca veya tespit segmanının bağlantı noktasından serbest kalmasına (C) izin verebilir.
- 2.7 BAĞLANTI KURMA:** Bu ekipmanda kullanılan yaylı kancalar ve karabinalar kendinden kilitli olmalıdır. Tüm bağlantı parçalarının boyut, şekil ve dayanım bakımından uyumlu olmasına dikkat edin. Uyumlu olmayan ekipmanı kullanmayın. Bütün bağlantı parçalarının tam olarak kapalı ve kilitli olmasına dikkat edin. 3M konnektörler (yaylı kancalar ve karabinalar) yalnızca her ürünün kullanıcı kılavuzunda belirtilen şekilde kullanılmak için tasarlanmıştır. Uygun olmayan bağlantılar için Şekil 6'ya bakın.

Yaylı kancalar ve karabinalar:

- Başka bir konnektörün bağlı olduğu bir D-halkasına.
- Kapıda bir yüklenmeye sebep olacak şekilde bağlanmamalıdır. Geniş boğumlu yaylı kancalar, yaylı kancaya 16 kN'lik (3.600 lib) bir kapı takılı değilse, kanca veya D-halkasının bükülmesi veya dönmesi durumunda kapıda yüklenmeye sebep olacak standart boyuttaki D-halkaları veya benzer nesnelere bağlanmamalıdır.
- Eşleşen konnektörlerin boyutlarının veya şekillerinin uyumlu olmadığı yanlış bağlantılarda, görsel doğrulama yapılmadan konnektörler tam olarak oturmuş gibi görünür.
- Birbirine bağlanmamalıdır.
- Doğrudan örgüye veya halat ipine ya da arka bağlantıya (hem halat hem bağlantı parçası ile ilgili üretici talimatları böyle bir bağlantıya açıkça izin vermediği sürece) bağlanmamalıdır.
- Yaylı kancanın veya karabinanın kapanmayacağı veya kilitlenmeyeceği ya da açılacağı bir şekilde veya boyuta sahip herhangi bir nesneye bağlanmamalıdır.
- Konnektörün yük altında düzgün şekilde hizaya giremeyeceği bir tarzda bağlanmamalıdır.

Tablo 2 – Muayene Planı

Kullanım Tipi	Uygulama Örnekleri	Kullanım Koşulları	Muayene Sıklığı
			Yetkili Kişi
Sık Olmayan - Hafif	Kurtarma ve Sınırlandırılmış Alan, Fabrika Bakımı	İyi Saklama Koşulları, Kapalı Alanda veya Nadiren Açık Alanda Kullanım, Oda Sıcaklığı, Temiz Ortamlar	Yıllık
Orta - Ağır	Nakliye, Konut Yapı, Tesisatlar, Ambar	Vasat Saklama Koşulları, Kapalı Alanda ve Uzun Süre Açık Alanda Kullanım, Tüm Sıcaklıklar, Temiz veya Tozlu Ortamlar	Altı Ayda Bir - Yıllık
Şiddetli - Sürekli	Ticari Yapı, Petrol ve Gaz, Madencilik	Zorlu Saklama Koşulları, Uzun Süreli veya Sürekli Açık Alanda Kullanım, Tüm Sıcaklıklar, Kirli Ortam	Üç Ayda Bir - Yıllık

1 Görevli Kişi: İşveren tarafından kişinin bir düşme tehlikesiyle karşı karşıya olacağı bir yerdeki görevleri yerine getirmesi için atanmış bir kişi.

2 Kurtarma Görevlisi: Kurtarmaya konu olan kişi dışında kalan ve bir kurtarma sistemi uygulayarak yardımcı kurtarma işlemi gerçekleştiren kişi veya kişiler.

3 Yetkili Kişi: İşveren tarafından işverenin yönettiği düşme koruma programının anında gözetimi, uygulanması ve izlenmesinden sorumlu olmak üzere atanan, eğitim ve bilgi yoluyla var olan ve potansiyel düşme tehlikelerini belirleme, değerlendirme ve çözüm bulma becerisine sahip olan ve bu tehlikelerle ilgili olarak ivedi düzeltici adımlar atma konusunda işverenden yetki almış olan bir kişi.

3.0 Kurulum

- 3.1 PLANLAMA:** İşinize başlamadan önce düşme koruma sisteminizi planlayın. Düşüş öncesi, sırası ve sonrasında güvenliğinizi etkileyecek tüm faktörleri dikkate alın. Bölüm 2'de tanımlanan tüm gereklilikler ve sınırlamaları göz önünde bulundurun.

Birçok uygulamada Nano-Lok SRD ankraj veya kemere Sirt konumundan bağlanabilir. Bölüm 4'te belirtilen dışında her iki yöne de izin verilir

- 3.2 ANKRAJ:** Şekil 7, tipik SRD ankraj bağlantılarını göstermektedir. Serbest düşme ve dönerek düşme tehlikelerinin minimum olduğu bir ankraj konumu seçin (bkz. Bölüm 1). Bölüm 1'de tanımlanan statik yüklerle dayanabilecek sağlam bir ankraj noktası seçin. Yüksekten ankrajın mümkün olmadığı durumlarda Nano-Lok SRD'ler kullanıcının Sirt D Halkası düzeyi kadar düşük bir ankraj noktasına sabitlenebilir. 140 kg'a (310 lib) kadar olan kullanıcılar için ankraj noktası Sirt D Halkasının en fazla 1,5 m (5 fit) altında olmalıdır.

- 3.3 KEMERİN MONTAJI:** Bazı SRD modelleri, SRD'lerin Sirt D-Halkasının hemen altından Tam Vücut Kemerine monte edilebilmesi için bir Tekli SRD veya İkiz SRD Kemer Arayüzü içerir:

Bazı Tam Vücut Kemerleri, Kemere Monteli Kendinden Geri Çekmeli Cihazlar için bağlantı elemanlarına sahip bir Sirt D-Halkası içeren bir Kişisel SRD Bağlantısı (PSRL Bağlantısı) ile donatılmıştır (Şekil 8). Aynı zamanda SRD'nin Kemer Sirt D-Halkasına bir Karabina veya Yaylı Bağlantı Parçası ile bağlanması da kabul edilebilir.

- **Tekli SRD Kemerin Montajı:** İşçi hareketliliğinin kritik önem taşıdığı durumlarda SRD'yi Sirt D-Halkasının hemen altından Tam Vücut Kemerine monte etmek için bir SRD Kemer Arayüzü kullanılabilir (bkz. Şekil 9). Böylece işçi, SRD'nin Güvenlik Halatı Ucunu kullanarak SRD'yi tekrar tekrar takmaya gerek duymadan tesisteki herhangi bir yerdeki farklı ankraj noktalarına bağlanabilir. SRD'yi Tam Vücut Kemerine SRD Kemer Arayüzünü kullanarak monte etmek için:

1. **Kemer Ağını gevşetin:** Ağ Kayışlarını (A), Sirt D-Halkasının (B) tabanından geçtikleri noktadan SRD Kemer Arayüzünün Ağ Kayışları ve D-Halka Pedi arasından kaydırılabilmesi için yeterli boşluk elde edilene kadar dışarı doğru çekin.
2. **Kemer Arayüzünü açın:** Kilitleme Düğmelerine (C) aynı anda bastırın ve Kilitleme Pimini (D) dışarı kaydırın.
3. **Kemer Arayüzüne SRD'yi takın:** Kemer Arayüzündeki açık kapıyı SRD'nin (E) üzerindeki Döner Gözden geçirin. Arayüzü SRD, Kemer Arayüzünün (F) omurgasından sarkacak şekilde Döner Gözlere bağlayın.
4. **Kemer Arayüzünü Ağ Kayışlarının çevresine yerleştirin:** Kemer Arayüzünün açık kapısını gevşek Ağ Kayışlarının (A) çevresine yerleştirin.
5. **Kemer Arayüzünü kapatın:** Kemer Arayüzü Kilit Pimini (D) Kemer Arayüzünün karşı ucunda yerine kilitlenene kadar gevşek Ağ Kayışlarından (A) çekin. Kemer Arayüzünü sabitlemek için Ağ Kayışlarını Sirt D-Halkasından ve Sirt Pedinden geri çekin.

Kemer Arayüzünün kilitlenmemesi durumunda Kemer Arayüzü Kilitleme Piminin düğme ucundaki Kırmızı Kayış görünecektir. Bağlantının kazara açılmasını önlemek için Kemer ve bağlı SRD kullanılmadan önce her zaman Kemer Arayüzünün kilitlendiğinden emin olun. Bunun yapılmaması yaralanmaya veya ölüme yol açabilir.

- **İkiz SRD Kemerin Montajı:** %100 bağlantı gereken tırmanma uygulamalarında, iki SRD'yi Sirt D-Halkasının hemen altından Tam Vücut Kemerinin arkasında yan yana monte etmek için SRD Kemer Arayüzü kullanılabilir (bkz. Şekil 9). İki SRD'yi SRD Kemer Arayüzünü kullanarak Tam Vücut Kemerine monte etmek için:

1. **Kemer Ağını gevşetin:** Ağ Kayışlarını (A), Sirt D-Halkasının (B) tabanından geçtikleri noktadan SRD Kemer Arayüzünün Ağ Kayışları ve D-Halka Pedi arasından kaydırılabilmesi için yeterli boşluk elde edilene kadar dışarı doğru çekin.
2. **Kemer Arayüzünü açın:** Kilitleme Düğmelerine (C) aynı anda bastırın ve Kilitleme Pimini (D) dışarı kaydırın.
3. **SRD'yi Kemer Arayüzünün üzerine yerleştirin:** Kemer Arayüzündeki açık kapıyı her SRD'nin (E) üzerindeki Döner Gözden geçirin. Arayüzü SRD'ler, Kemer Arayüzünün (F) omurgasından sarkacak şekilde Döner Gözlere bağlayın.
4. **Kemer Arayüzünü Ağ Kayışlarının çevresine yerleştirin:** Kemer Arayüzünün açık kapısını gevşek Ağ Kayışlarının (A) çevresine yerleştirin.
5. **Kemer Arayüzünü kapatın:** Kemer Arayüzü Kilit Pimini (D) Kemer Arayüzünün karşı ucunda yerine kilitlenene kadar gevşek Ağ Kayışlarından (A) çekin. Kemer Arayüzünü sabitlemek için Ağ Kayışlarını Sirt D-Halkasından ve Sirt Pedinden geri çekin.

Kemer Arayüzünün kilitlenmemesi durumunda Kemer Arayüzü Kilitleme Piminin düğme ucundaki Kırmızı Kayış görünecektir. Bağlantının kazara açılmasını önlemek için Kemer ve bağlı SRD kullanılmadan önce her zaman Kemer Arayüzünün kilitlendiğinden emin olun. Bunun yapılmaması yaralanmaya veya ölüme yol açabilir.

- **İkiz SRD Sabit D-Halkası Kemerin Montajı:** Sabit D-Halkasına sahip daha eski ExoFit Tam Vücut Kemerlerinde, iki SRD'yi kemerin arkasına Sirt D-Halkasının hemen altına monte etmek için özel bir SRD Kemer Arayüzü gerekir. İki SRD'yi SRD Sabit D-Halkası Kemer Arayüzünü kullanarak ExoFit Tam Vücut Kemerine takmak için (Şekil 10):
 1. **Kemer Ağını gevşetin:** Ağ Kayışlarını (A), Sirt D-Halkasının (B) tabanından geçtikleri noktadan SRD Kemer Arayüzünün Ağ Kayışları ve Sirt Pedi arasından geçirilebilmesi için yeterli boşluk elde edilene kadar dışarı doğru çekin.
 2. **Kemer Arayüzünü açın:** SRD Kemer Arayüzü şeklindeki gibi yönlendirilmişken Kilitleme Manşonunu (C) sağa bastırın ve Kapının (D) kilidini açmak için saat yönünde döndürün. Kapıyı (D) açmak için aşağı çevirin.
 3. **İlk SRD'yi Kemer Arayüzünün üzerine takın:** Konnektörün Burnunu (E) Döner Gözden (F) SRD'ye geçirin ve ardından SRD'yi Konnektörün Kapı Ucunun (G) çevresinde döndürün. Konnektörün Kapısı ve Omurgası arasında Döner Göz için boşluğa izin vermek için Kapı Burnu kapatılabilir.
 4. **Kemer Arayüzünü Ağ Kayışlarının çevresine yerleştirin:** Konnektörün Burnunu (E) Ağ Kayışlarının (A) arkasına geçirin. Konnektör Ağ Kayışlarını çevreyene kadar Konnektörü Ağ Kayışlarının arkasına döndürün.
 5. **Kemer Arayüzüne ikinci SRD'yi takın:** SRD'nin Döner Gözünü (F) Konnektörün Burnunun (E) üzerine kaydırın ve SRD Döner Gözünü Konnektörün Burnu Ucu içinde konumlandırın.
 6. **Kemer Arayüzünü kapatın:** Kapının (D) dönerek kapanmasını ve Kilitleme Manşonunun (C) geri kilitli konuma dönmelerini bekleyin. Kemer Arayüzü kapatıldıktan sonra, ağdaki gevşekliği almak ve Kemer Arayüzünü Ağ Kayışları ve Sirt Pedi arasına sabitlemek için Ağ Kayışlarını (A) Sirt D-Halkasından geri çekin.
- **3M® DBI-SALA® İkiz Karabina:** 3M® DBI-SALA® İkiz Karabina, iki Nano-Lok SRD'yi Sirt D-Halkasının hemen altında Tam Vücut Kemerinin arkasında yan yana monte etmek için tasarlanmıştır (bkz. Şekil 12). İkiz Karabina kullanarak iki Nano-Lok SRD'yi tek bir Tam Vücut Kemerine monte etmek için:
 1. **Kemer Ağını gevşetin:** Ağ Kayışlarını (A), Sirt D-Halkasının (B) tabanından geçtikleri noktadan İkiz Bacak Arayüzünün Ağ Kayışları ve D-Halka Pedi arasından kaydırılabilmesi için yeterli boşluk elde edilene kadar dışarı doğru çekin.
 2. **İkiz Karabinayı açın:** Kelepçeleri (D) Konnektörden ayırmak için Konnektör Parçasına bastırın ve ardından Kapının kilidini açmak için Konnektör Parçasını döndürün. Konnektörü açmak için Kapıyı (E) içeri doğru bastırın.
 3. **İlk Nano-Lok SRD'yi İkiz Karabinanın üzerine takın:** Konnektörün burnunu (F) Döner Gözden (G) SRL'ye geçirin ve ardından SRL'yi Konnektörün Kapı Ucunun (H) çevresinde döndürün. Konnektörün Kapısı ve Omurgası arasında Döner Göz için boşluğa izin vermek için Kapı burnu doğru döndürülebilir.
 4. **İkiz Karabinayı Ağ Kayışlarının çevresine yerleştirin:** Kapı yukarı bakacak şekilde Konnektörün burnunu (F) Ağ Kayışlarının (A) arkasına geçirin. Konnektör Ağ Kayışlarını çevreyene kadar Konnektörü Ağ Kayışlarının arkasına döndürün.
 5. **İkiz Karabinaya ikinci Nano-Lok SRD'yi ekleyin:** SRL'nin Döner Gözünü (G) Konnektörün burnunun (F) üzerine kaydırın ve SRL Döner Gözünü Konnektörün burnu ucu (I) içinde konumlandırın. Kapıyı (E) kapanacak şekilde döndürün.
 6. **İkiz Karabinayı kapatın:** Kelepçeler (D) Konnektörün üzerinde sabitlenecek şekilde Konnektör Parçasını (C) ileri yönde döndürün. Doğru şekilde kapatıldığında Ağ Kayışları, Konnektör Parçasının üzerindeki Ağ Yuvasından (J) geçmeli ve SRL Döner Gözleri Konnektör Parçasının her iki tarafında bulunan Girintilere (K) sabitlenmelidir. Kemer Arayüzü kapatıldıktan sonra, ağdaki gevşekliği almak ve Konnektörü Ağ Kayışları ve D-Halka Pedi arasına sabitlemek için Ağ Kayışlarını (A) Sirt D-Halkasından ve D-Halka Pedinden geri çekin.
- **3M® DBI-SALA® İkiz Pimli Karabina:** Bu kemer ataşmanı %100 bağlantının gerektiği tırmanma uygulamalarında (bkz. Şekil 11) bir Nano-Lok SRL veya iki Nano-Lok SRL'yi monte etmek için kullanılabilir:
 1. **Kemer Ağını gevşetin:** Ağ Kayışlarını (A), Sirt D-Halkasının (B) tabanından geçtikleri noktadan İkiz Bacak Arayüzünün Ağ Kayışları ve D-Halka Pedi arasından kaydırılabilmesi için yeterli boşluk elde edilene kadar dışarı doğru çekin.
 2. **Tekli konfigürasyon için:** Tekli SRL'nin döner gözünü merkezdeki açık boşluğa yerleştirin.
 3. **İkiz konfigürasyon için:** Bir SRL'nin döner gözünü pime en yakın açık boşluğa ve diğer SRL'yi pimden en uzaktaki açık boşluğa yerleştirin.
 4. Klik sesi duyana kadar pimi yerinde geriye doğru kaydırın. Pim yerine sıkıca kilitlenmelidir.
 5. Aynı anda pimi dışarı doğru kaydırarak konnektörün kemer tarafındaki iki düğmeyi bastırın. Pim kaydırıldığında bir açık alan oluşur.
 6. Ağda oluşan az miktardaki gevşekliği kemerinizdeki sirt D-Halkasının hemen altından yukarı doğru çekin. Konnektörün kemer tarafını D-Halkasının altına yerleştirin.
 7. Pimin, kemer ağının her iki katmanının da arkasında kaldığından emin olarak pimi klik sesi duyana kadar geriye doğru kaydırın. Pim yerine sıkıca kilitlenmelidir.

4.0 ÇALIŞTIRMA

Kendinden Geri Çekmeli Cihazları (SRD) ilk defa veya nadiren kullanan kullanıcılar, SRD'yi kullanmadan önce bu kılavuzun başlangıcında sunulan "Güvenlik Bilgilerini" gözden geçirmelidir.

- 4.1 HER KULLANIMDAN ÖNCE:** Bu düşme koruması ekipmanını, her kullanımdan önce iyi çalışır durumda olduğundan emin olmak için dikkatlice inceleyin. Aşınmış veya hasarlı parçalar olup olmadığını kontrol edin. Tüm civataların mevcut ve sağlam olduğundan emin olun. Halatı çekerek ve yavaşça çekilmeye bırakarak cankurtaran halatının düzgün bir şekilde çekilip çekilmediğini kontrol edin. Toplamada duraklama varsa ünite hizmet dışı bırakılmalı ve imha edilmelidir. Cankurtaran halatını kesik, yanık, ezik ve aşınmalara karşı muayene edin. Halatı sertçe çekerek kilitleme işlemini kontrol edin. Muayene bilgileri için Muayene ve Bakım Günlüğüne (Tablo 3) bakın. İnceleme sonucunda güvenli olmayan bir durum ortaya çıkarsa kullanmayın.

- 4.2 BİR DÜŞME SONRASINDA:** Tablo 3'te açıklandığı gibi düşme koruması kuvvetlerine maruz kalmış olan ve düşme koruması kuvvetlerinin etkisi ile tutarlı hasar sergileyen her türlü ekipman, ivedi olarak kullanımdan çıkarılmalı ve imha edilmelidir.
- 4.3 VÜCUT DESTEĞİ:** SRD'ler kullanılırken bir tam vücut kemeri takılmalıdır. Genel düşme koruması kullanımı için, arka (sırt) D-halkasına bağlanın.
- 4.4 BAĞLANTI KURMA:** Şekil 5'te SRD Düşme Önleme Sistemleri için kemer ve ankraj bağlantıları gösterilmektedir. Bir bağlantı kurmak için kanca kullandığınızda, açılma olmayacağından emin olun (Şekil 5'e bakın). Eklenen nesnenin üstünü tamamen kapatmayacak kanca veya konektörler kullanmayın. Kilitlenmeyen yaylı kancalar kullanmayın. Ankraj Tablo 2'de belirtilen ankraj dayanımı gerekliliklerini karşılamalıdır. Her bir sistem bileşeniyle birlikte verilen üretici talimatlarına uyun.
- 4.5 ÇALIŞTIRMA:** Kullanmadan önce SRD'yi Tablo 3'te açıklanan şekilde muayene edin. Şekil 14 tipik SRD uygulamaları için sistem bağlantılarını göstermektedir. SRD'yi uygun bir ankraja bağlayın veya SRD'yi Bölüm 3'teki talimatlara uygun şekilde Tam Vücut Kemerinin arkasına monte edin. Ankraja bağlı SRD'ler için Yük Göstergesi üzerindeki Kancayı (D) veya Karabinayı Tam Vücut Kemerinin üzerindeki Sırt D-Halkasına (A) bağlayın. Kemere monte edilen SRD'lerde Kancayı (D) veya Karabinayı uygun bir ankraja bağlayın. Bağlantı parçalarının boyut, şekil ve dayanım bakımından uyumlu olmasına dikkat edin. Kancaların tamamen kapalı ve kilitli olduğundan emin olun. Takıldıktan sonra, işçi normal hızlarda önerilen çalışma alanı dahilinde hareket etmekte özgürdür. Bir düşme meydana gelirse SRD kilitlenecek ve düşmeyi önleyecektir. Kurtarma sonrasında, SRD'yi kullanımdan çıkarın. Bir SRD ile çalışırken, her zaman cankurtaran halatını aygıt kontrol altında çekirin.
- 4.6 İKİZ SRD ARAYÜZÜ %100 BAĞLANTISI:** Tam Vücut Kemerinin arkasına yan yana iki SRD monte edildiğinde inerken, çıkarken veya yanal olarak hareket ederken sürekli düşme koruması (%100 bağlantı) sağlamak için SRD Düşme Önleme Sistemi kullanılabilir (bkz. Şekil 15). Bir SRD'nin Halat Bacağı bir ankraj noktasına bağlı iken işçi yeni bir konuma geçebilir, diğer SRD'nin kullanılmayan Halat Bacağını başka bir ankraj noktasına bağlayabilir ve ardından ilk ankraj noktasından çıkarabilir. İşçi istenen konuma ulaşana kadar bu sıralama tekrar edilir. İkiz SRD %100 bağlantı uygulamaları için dikkat edilecek hususlar şu şekildedir:
- Hiçbir zaman her iki SRD Halatını aynı ankraj noktasına bağlamayın (bkz. Şekil 16A).
 - Birden fazla konektörün tek bir ankraja (halka veya göz) bağlanması konektörler arasındaki etkileşim nedeniyle bağlantının uygunluğunu tehlikeye atabilir ve tavsiye edilmez.
 - Her bir SRD Halatının ayrı bir ankraj noktasına bağlanması kabul edilebilir (Şekil 16B).
 - Her bağlantı konumu birbirinden bağımsız olarak 10 kN (2248 lib) kuvveti desteklemeli veya Yatay Cankurtaran sistemleri gibi tasarlanmış bir sistem olmalıdır.
 - Hiçbir zaman tek seferde tek bir İkiz SRD sistemine birden fazla insan bağlamayın (Şekil 16C).
 - Halatların birbirine dolaşmasına veya dolanmasına izin vermeyin aksi halde bu durum toparlanmalarını engelleyebilir.
 - Herhangi bir halatın, kullanım esnasında kolların altından ya da bacakların arasından geçmesine izin vermeyin.
- 4.7 İKİZ SRD SIRT D-HALKASI MONTAJI:** Üçlü kilitleme Karabinalı modeller Sırt D-Halkasına ikiz konfigürasyonda monte edilebilir. Bir Kemerin Sırt D-Halkasına iki SRD'yi monte etmek için (Şekil 13):
- 1. Üçlü Kilitlemeli Karabinayı açın:** Üçlü Kilitlemeli Karabinayı şekilde gösterildiği gibi tutarak Kilitleme Manşonunu (C) sağa itin ve ardından Kapının (D) kilidini açmak için saat yönünde çevirin. Kapıyı (D) açmak için aşağı çevirin.
 - 2. İlk SRD'yi Üçlü Kilitlemeli Karabinanın üzerine takın:** Konektörün Burnunu (E) Döner Gözden (F) SRD'ye geçirin ve ardından SRD'yi Konektörün Kapı Ucunun (G) çevresinde döndürün. Konektörün Kapısı ve Omurgası arasında Döner Göz için boşluğa izin vermek için Kapı Burnu kapatılabilir.
 - 3. Üçlü Kilitlemeli Karabinanın üzerine ikinci SRD'yi ekleyin:** SRD'nin Döner Gözünü (F) Konektörün Burnu (E) üzerinden kaydırın.
 - 4. Üçlü Kilitlemeli Karabinayı D-Halkasından takın:** Konektörün Burnunu (E) Sırt D-Halkasından (A) geçirin. Konektörü kapı kapatılabilir hale gelene kadar D-Halkasından döndürün.
 - 5. Üçlü Kilitleme Karabinayı kapatın:** Kapının (D) dönerek kapanmasını ve Kilitleme Manşonunun (C) geri kilitli konuma dönmesini bekleyin.

- 4.8 YATAY SİSTEMLER:** SRD'nin yatay bir sistemle (ör: Yatay Cankurtaran Hattı, Yatay I-Kirişleri ve Vargel) kullanıldığı uygulamalarda, SRD ve yatay sistem bileşenleri uyumlu olmalıdır. Yatay sistemler, kalifiye bir mühendisin gözetiminde tasarlanmalı ve kurulmalıdır. Ayrıntılı bilgi için yatay sistem ekipmanları üreticisinin talimatlarına başvurun.

Şekil 4'teki Düşüş Boşluğu değerleri için rijit, sabit bir ankraj noktasına bağlantı esas alınmıştır ve Yatay Cankurtaran Halatı (HLL) sistemlerine bağlantı için geçerli değildir. Gerekli Düşüş Boşluklarını belirlemek için HLL Kullanım Kılavuzu ve HLL Montaj Görevlisine başvurun.

5.0 Muayene

- 5.1 RFID ETİKETİ:** Kendinden Geri Çekmeli Cihaz, bir Radyo Frekanslı Belirleme (RFID) etiketi içerir (bkz. Şekil 17). RFID etiketi, muayene ve envanter kontrolünü basitleştirmek ve düşme koruma ekipmanınızın kayıtlarını sağlamak için okuma el aygıtı ve web tabanlı portal ile kullanılabilir. Ayrıntılar için bir 3M Müşteri Hizmetleri temsilcisi ile irtibata geçin (arka kapağa bakın). Verilerinizi web günlüğünüze aktarmak için, el okuyucunuzla ya da web portalı üzerinde verilen talimatları izleyin.

5.2 MUAYENE SIKLIĞI: Kendinden Geri Çekmeli Cihaz, Bölüm 2’de tanımlanan aralıklarla muayene edilmelidir. Muayene prosedürleri, "Muayene ve Bakım Günlüğünde" (Tablo 3) açıklanmıştır.

Aşırı çalışma koşulları (sert çevre şartları, uzun süreli kullanım vb.) muayenelerin sıklığının artırılmasını gerektirebilir (bkz. Tablo 2).

5.3 GÜVENLİ OLMAYAN VEYA KUSURLU KOŞULLAR: Muayene sonucunda güvenli olmayan veya kusurlu bir koşul ortaya çıkarsa SRD’yi derhal hizmetten çıkarın ve imha edin (bkz. Bölüm 6).

Bu ekipmanda yalnızca 3M veya yazılı olarak yetkilendirilmiş kişiler onarım işlemleri yapabilir.

5.4 ÜRÜN ÖMRÜ: 3M Kendinden Geri Çekmeli Cihazların işlevsel ömrü, çalışma koşulları ve bakıma göre belirlenmektedir. Ürün, muayene ölçütlerini geçtiği sürece kullanımda kalabilir (maksimum ürün ömrü dahilinde). Dokuma ağ cankurtaran halatlı SRD’nin maksimum ürün ömrü üretim tarihinden itibaren en fazla 10 yıldır.

6.0 BAKIM, SERVİS ve SAKLAMA

6.1 TEMİZLİK: SRD için temizlik prosedürleri şu şekildedir:

- Su ve hafif bir sabun çözeltisi kullanarak SRD'nin dışını düzenli olarak temizleyin. SRD'yi, fazla suyun akıp boşalacağı bir konuma getirin. Etiketleri gerektiği gibi temizleyin.
- Ağ Cankurtaran Halatını su ve hafif sabun çözeltisiyle temizleyin. Durulayın ve iyice kuruması için açıkta bırakın. Isı vererek kurutmayın. Cankurtaran halatı muhafazasına toparlanmasına izin verilmeden önce kurutulmalıdır. Aşırı kir, boya, vs. birikmesi, cankurtaran halatının gövdeye tamamen çekilmesini önleyerek potansiyel bir serbest düşme tehlikesine neden olabilir.

6.2 SERVİS: SRD’ler onarılabılır değildir. SRD düşme kuvvetine maruz kalmışsa veya muayene sonucunda güvensiz veya kusurlu bir durum tespit edilirse SRD’yi hizmet dışı bırakın ve atın (bkz. "İmha").

6.3 SAKLAMA/TAŞIMA: SRD’leri doğrudan güneş ışığından uzak, serin, kuru ve temiz bir ortamda saklayın ve taşıyın. Kimyasal buharların bulunabileceği alanlardan uzak durun. Uzun süreli saklama sonrasında SRD’yi ayrıntılı muayeneden geçirin.

6.4 İMHA: Düşme önleme kuvvetlerine maruz kalmışsa veya muayene sonucunda güvensiz veya kusurlu bir durum tespit edilirse SRD’yi imha edin. SRD’yi imha etmeden önce cankurtaran halatını ikiye kesin veya kazara yeniden kullanım olasılığını ortadan kaldırmak için SRD’yi başka şekillerde devre dışı bırakın.

7.0 Etiketler

Şekil 22 Kendinden Geri Çekmeli Cihazların üzerindeki etiketleri ve bunların konumlarını göstermektedir. SRD üzerinde tüm etiketler bulunmalıdır. Tamamen okunmuyorsa etiketler değiştirilmelidir. Etiketlerin üzerindeki resimli grafikler aşağıdaki şekilde tanımlanmıştır:

1	Yaylı Kancayı ve Darbe Göstergesini Muayene Edin
2	SRL’nin Kilitleme İşlemini Muayene Edin
3	SRL’nin Kemere Bağlantı Şeklini Düzeltin
4	Keskin kenar bulunmadığını doğrulayın. Sirt D-halkasının üzerinde, altında veya Sirt D-Halkası ile aynı seviyede bir ankraj noktasına bağlanabilir (140 kg maksimum).
5	Sıcaklık Kullanım Aralığı -40°C – +60°C
6	Maksimum Kapasite 140 kg
7	Daima Cankurtaran Halatının SRL’ye Kontrol Altında Çektirilmesini Sağlayın
8	Onarmayın
9	Doğrudan güneş ışığı almayan, soğuk, kuru ve temiz bir ortamda saklayın.
10	Bir Kenara Doğru Yükleme
11	Etiketleri Çıkarmayın

Tablo 3 – Muayene ve Bakım Günlüğü

Seri Numarası/Numaraları:		Satın Alındığı Tarih:	
Model Numarası:		İlk Kullanım Tarihi:	
Muayene Tarihi:		Muayene Eden:	
Bileşen:	Muayene: (Muayene Sıklığı için bkz. Bölüm 2)	Geçer	Başarısız
SRD (Şekil 18)	Gevşek cıvatalar ve bükülmüş veya hasar görmüş parçalar açısından muayene edin.	<input type="checkbox"/>	<input type="checkbox"/>
	Gövdeyi (A) yamulma, çatlaklar ve başka hasarlar açısından muayene edin.	<input type="checkbox"/>	<input type="checkbox"/>
	Firdöndü (B) ve Döner Gözü (C) veya Dahili Konnektörü (D) bozulma, çatlak veya diğer hasarlara karşı muayene edin. Firdöndü SRL'ye sabitlenmelidir ancak serbestçe dönebilmelidir. Döner Göz veya Dahili Konnektör, Firdöndünün içinde serbestçe dönmelidir.	<input type="checkbox"/>	<input type="checkbox"/>
	Ağ Cankurtaran Halatı (E) duraklama veya gevşek bir halat durumu oluşturmadan tamamen dışarıya çekilmeli ve geri toplanmalıdır.	<input type="checkbox"/>	<input type="checkbox"/>
	Cankurtaran Halatı sert şekilde sarsıldığı zaman SRD'nin kilitlendiğini kontrol edin. Kaymayacak şekilde kesin olarak kilitlenmelidir.	<input type="checkbox"/>	<input type="checkbox"/>
	Tüm etiketler mevcut ve tamamen okunur olmalıdır (Şekil 20'ye bakın).	<input type="checkbox"/>	<input type="checkbox"/>
	SRD'nin tamamını korozyon açısından muayene edin.	<input type="checkbox"/>	<input type="checkbox"/>
Uç Konnektörler (Şekil 19)	Tablo 2'de Nano-Lok SRD modelinize dahil edilmesi gereken Uç Konnektörleri tanımlanmıştır. Tüm Yaylı Kancaları, Karabinaları, Takviye Kancalarını, Arayüzleri vb. hasar ve korozyon belirtileri ve uygun çalışma koşulları açısından muayene edin. Bulunması halinde: Kapılar doğru şekilde açılmalı, kapanmalı ve kilitleri açılmalıdır ve Kilitleme Düğmeleri ve Kilitleme Pimleri doğru şekilde çalışmalıdır.	<input type="checkbox"/>	<input type="checkbox"/>
Ağ Cankurtaran Halatı (Şekil 20)	Dokumayı muayene edin; malzemenin kesik (A), yıpranmış (B) veya kopmuş iplikler içermemesi gereklidir. Yıpranma, aşınma, ağır kirlenme (C), küf, yanık (D) veya renk solması açısından kontrol edin. Dikişi muayene edin; Çıkmış veya kopmuş dikişler açısından kontrol edin. Kırık dikişler, emniyet kemerinin darbe yüklü olduğunun ve hizmet dışına çıkarılması gerektiğinin bir göstergesi olabilir.	<input type="checkbox"/>	<input type="checkbox"/>
Enerji Emici (Şekil 21)	Dahili Enerji Emicinin etkinleştirilmediğini doğrulayın. Açık kaplama veya yırtılmış kaplama (A), kaplamadan dışarı çıkmış ağ, yırtılmış veya yıpranmış ağ (B), yırtık dikişler, vb. Enerji Emicinin etkinleştirildiğinin göstergeleridir.	<input type="checkbox"/>	<input type="checkbox"/>
Düzeltilici İşlem/Bakım:	Onaylayan:		
	Tarih:		
Düzeltilici İşlem/Bakım:	Onaylayan:		
	Tarih:		
Düzeltilici İşlem/Bakım:	Onaylayan:		
	Tarih:		
Düzeltilici İşlem/Bakım:	Onaylayan:		
	Tarih:		
Düzeltilici İşlem/Bakım:	Onaylayan:		
	Tarih:		
Düzeltilici İşlem/Bakım:	Onaylayan:		
	Tarih:		
Düzeltilici İşlem/Bakım:	Onaylayan:		
	Tarih:		

ІНФОРМАЦІЯ ЩОДО ПРАВИЛ БЕЗПЕКИ

Перед застосуванням цього пристрою зупинення падіння втягувального типу уважно прочитайте, зрозумійте та дотримуйтесь усіх правил безпеки, викладених у цій інструкції. **НЕДОТРИМАННЯ ЦЬОЇ ВИМОГИ МОЖЕ ПРИЗВЕСТИ ДО ВАЖКИХ ТІЛЕСНИХ УШКОДЖЕНЬ АБО СМЕРТІ.**

Цю інструкцію необхідно надати користувачеві цього обладнання. Зберігайте цю інструкцію на випадок, якщо постане потреба скористатися ними у майбутньому.

Цільове застосування:

Цей пристрій зупинення падіння втягувального типу використовується у складі повної індивідуальної страхувальної системи для попередження падіння з висоти.

Застосування з іншою метою, наприклад, зокрема, для роботи з матеріалами, у рекреаційній або спортивній діяльності або інших видах діяльності, не зазначених у цій Інструкції з використання, не передбачене компанією «ЗМ», і може стати причиною важкої травми або смерті.

Цей пристрій застосовується лише навченими користувачами на робочому місці.

! УВАГА

Цей пристрій зупинення падіння втягувального типу є частиною повної індивідуальної страхувальної системи для попередження падіння з висоти. Очікується, що усі користувачі пройдуть повне навчання зі встановлення та використання цієї індивідуальної страхувальної системи для попередження падіння з висоти. **Неправильна експлуатація може стати причиною важкої травми або смерті.** З питаннями щодо вибору, експлуатації, встановлення, обслуговування та сервісу звертайтеся до цієї Інструкції з використання та рекомендацій виробника, а також звертайтеся безпосередньо до свого керівника або служби технічної підтримки компанії «ЗМ».

- **Для зменшення ризиків, пов'язаних із роботою з пристроями зупинення падіння втягувального типу, котрі, якщо їх не уникати, можуть призвести до важкої травми або смерті, слід:**
 - Перед кожним використанням перевірити пристрій зупинення падіння втягувального типу та належне блокування й втягування.
 - Якщо в результаті перевірки буде виявлено, що пристрій не є безпечним, або він несправний, вилучіть пристрій з експлуатації та проведіть його ремонт або заміну, відповідно до інструкції користувача.
 - Якщо пристрій зупинення падіння втягувального типу використовувався для припинення падіння або піддавався ударному навантаженню, негайно вилучіть пристрій з експлуатації та позначте пристрій «НЕПРИДАТНИЙ ДЛЯ ЕКСПЛУАТАЦІЇ».
 - Переконайтеся, що страхувальний строп не містить будь-яких перешкод, зокрема: заплутування з рухомими механізмами або обладнанням (наприклад, верхнім приводом нафтових вишок), іншими працівниками, вами, навколишніми предметами або удари надземних предметів, які можуть впасти на страхувальний строп або працівника.
 - Ніколи не допускайте провисання страхувального стропа. Не прив'язуйте та не зав'язуйте страхувальний строп.
 - Закріпіть кінці стропа, що не використовується, до скоб на обв'язці пристрою зупинення падіння втягувального типу, за наявності таких.
 - Слід уникати ситуацій, за яких на шляху падіння можуть знаходитися перешкоди. При роботі з матеріалами, що пересуваються з невеликою швидкістю, наприклад, піском або зерном, швидкість може бути недостатньою для спрацювання пристроїв зупинення падіння втягувального типу. Для надійного блокування пристроїв необхідно, щоб шлях був вільний.
 - Уникайте раптових або швидких рухів під час нормальної експлуатації. Це може призвести до блокування пристрою.
 - Переконайтеся, що системи/підсистеми попередження падіння з висоти, зібрані з компонентів, що вироблені різними виробниками, сумісні та відповідають вимогам застосованих стандартів, у тому числі ANSI Z359 та інших відповідних норм, стандартів або вимог, що регулюють правила захисту від падіння. Перед застосуванням таких систем завжди звертайтеся по консультацію до компетентної та/або кваліфікованої особи.
- **Для зменшення ризиків, пов'язаних з роботою на висоті, котрі, якщо їх не уникати, можуть призвести до важкої травми або смерті, слід:**
 - Переконайтеся, що ваш стан здоров'я та фізичного розвитку достатні для того, аби витримати фізичні навантаження при роботі на висоті. Якщо у вас є запитання стосовно ваших можливостей з використання цього устаткування, зверніться до вашого лікаря.
 - Ніколи не перевищуйте максимальну дозволену навантаження на ваше обладнання для попередження падіння з висоти.
 - Ніколи не перевищуйте максимальну величину відстані вільного падіння вашого захисного обладнання.
 - Ніколи не користуйтеся обладнанням з попередження падіння, котре не пройшло перевірок перед використанням або інших планових перевірок, або за наявності сумнівів у надійності або придатності цього обладнання для ваших потреб. Якщо виникнуть запитання, звертайтеся до Служби технічної підтримки ЗМ.
 - Деякі підсистеми або комбінації компонентів можуть впливати на експлуатаційні характеристики цього обладнання. Використовуйте виключно сумісні з'єднання. Звертайтеся для консультації до компанії «ЗМ» перед використанням цього обладнання з компонентами або підсистемами, що не включені до описаних у цій Інструкції з використання.
 - При роботі поблизу рухомого механічного обладнання (напр., силових приводів або бурових веж), джерел електричної небезпеки, в умовах екстремальних температур, за наявності хімічної небезпеки, в присутності вибухонебезпечних або токсичних газів, за наявності гострих предметів або під навислими матеріалами, що можуть впасти на вас або ваше обладнання для захисту падіння з висоти, завжди дотримуйтеся додаткових правил техніки безпеки.
 - При роботі в умовах високих температур використовуйте пристрої, призначені для роботи з дуговими спалахами або для вогневих робіт.
 - Уникайте поверхонь та об'єктів, здатних нанести травму користувачеві або пошкодити обладнання.
 - При роботі на висоті переконайтеся у наявності достатнього запасу висоти падіння.
 - Ніколи не вносьте модифікацій та змін до вашого обладнання для попередження падіння. Проводити ремонт обладнання має право лише ЗМ або сторони, уповноважені ЗМ у письмовій формі.
 - Перед застосуванням обладнання для попередження падіння з висоти переконайтеся у наявності аварійного плану, що описує невідкладні заходи у випадку падіння.
 - Якщо станеться падіння, без зволікань надайте медичну допомогу робітнику, який впав.
 - Не використовуйте запобіжний пояс в якості засобу попередження падіння. Використовуйте тільки страхувальну обв'язку.
 - Мінімізуйте маятникові падіння, працюючи безпосередньо під анкерною точкою, наскільки це можливо.
 - Під час навчання правилам роботи з цим пристроєм необхідно використовувати допоміжну систему захисту від падіння з висоти, щоб особа, котра проходить навчання, була захищена від ризиків, пов'язаних з випадковим падінням.
 - При встановленні, застосуванні або перевірці пристрою/системи завжди надягайте необхідні засоби індивідуального захисту.

Перед використанням цього обладнання переписіть ідентифікаційні дані виробу з ідентифікаційного ярлика в «Журнал перевірок і обслуговування», що міститься наприкінці цієї інструкції.

ОПИС:

На мал. 2 зображено ключові компоненти інерційних катушок (ІК) 3М™ DBI-SALA® Nano-Lok. Інерційні катушки Nano-Lok являють собою страхувальний канат, що намотується на барабан, (А) із вбудованим поглиначем енергії (В), який втягується в корпус із нейлону (С). Вушко вертлюга (D) у верхній частині корпусу дає змогу під'єднувати до належної анкерної точки за допомогою карабіна (Е) або монтувати катушку на страхувальній прив'язі за допомогою пристрою сполучення прив'язі (F). На мал. 1 позначено доступні моделі Nano-Lok та відповідні конфігурації фіксаторів. Технічні характеристики ІК Nano-Lok і фіксаторів наведено в таблиці 1.

Таблиця 1. Технічні характеристики

Характеристики компонентів:

Корпуси ІК	Нейлон
Барабан	Нейлон
Внутрішні компоненти	Нержавіюча сталь, алюміній
Тканинний страхувальний канат	Поліестер Dyneema
Поглинач енергії	Покриття: нітрилова гума, Тканина: поліестер, Шви: поліестерна або нейлонова нитка
Вертлюг	Сталь із цинковим покриттям

Технічні характеристики фіксатора:

	Опис	Матеріали	Отвір фіксаторного механізму	Міцність фіксаторного механізму	Міцність на розтягування
①	Вушко вертлюга	Сталь	22,35 мм (0,88 дюйма) внутрішній діаметр	X	22,2 кН (5000 фунтів)
②	Карабін	Алюміній	19 мм (3/4 дюйма)	16 кН (3600 фунтів)	22,2 кН (5000 фунтів)
③	Карабін	Сталь	19 мм (3/4 дюйма)	16 кН (3600 фунтів)	22,2 кН (5000 фунтів)
④	Одинарний пристрій сполучення ІК	Сталь	51 мм (2 дюйми)	16 кН (3600 фунтів)	22,2 кН (5000 фунтів)
⑤	Подвійний пристрій сполучення ІК	Сталь із нейлоновою вставкою	19 мм (3/4 дюйма)	16 кН (3600 фунтів)	22,2 кН (5000 фунтів)
⑥	Карабін	Алюміній, сталь	56 мм (2,19 дюйма)	16 кН (3600 фунтів)	22,2 кН (5000 фунтів)
⑦	Карабін	Алюміній	19 мм (3/4 дюйма)	16 кН (3600 фунтів)	22,2 кН (5000 фунтів)
⑧	Монтажний карабін	Алюміній	57 мм (2-1/4 дюйма)	16 кН (3600 фунтів)	22,2 кН (5000 фунтів)
⑨	Монтажний карабін	Алюміній	63 мм (2-1/2 дюйма)	16 кН (3600 фунтів)	22,2 кН (5000 фунтів)
⑩	Карабін	Алюміній	52 мм (2 дюйми)	16 кН (3600 фунтів)	22,2 кН (5000 фунтів)
⑪	Монтажний карабін	Алюміній, сталь	63 мм (2-1/2 дюйма)	16 кН (3600 фунтів)	22,2 кН (5000 фунтів)
⑫	Карабін	Сталь	19 мм (3/4 дюйма)	16 кН (3600 фунтів)	22,2 кН (5000 фунтів)
⑬	Монтажний карабін	Алюміній	57 мм (2-1/4 дюйма)	16 кН (3600 фунтів)	22,2 кН (5000 фунтів)
⑭	Гак-карабін	Сталь	19 мм (3/4 дюйма)	16 кН (3600 фунтів)	22,2 кН (5000 фунтів)

Експлуатаційні характеристики:

Характеристики ІК (вертикальна)	Моделі CE	
Діапазон вантажопідйомності	59–100 кг (130–220 фунтів)	100–140 кг (220–310 фунтів)
Максимальне зусилля затримки	6 кН (1350 фунтів)	6 кН (1350 фунтів)
Середня сила стримання	4 кН (900 фунтів)	4 кН (900 фунтів)
Заявлена максимальна відстань стримання¹	0,61 м (24 дюйми)	0,61 м (24 дюйми)
Мінімальний необхідний запас висоти¹	1,5 м (5 футів)	1,8 м (5,8 фута)
Максимальна відстань вільного падіння²	1,5 м (5 футів)	1,5 м (5 футів)

¹ — Припускається, що ІК закріплена безпосередньо зверху (над головою) кінцевого користувача.

² — Вимірюється від D-подібного кільця користувача до землі / робочої поверхні. Див. докладніше у графіку(-ах) запасу висоти.

1.0 ЗАСТОСУВАННЯ

- 1.1 ПРИЗНАЧЕННЯ:** Пристрої зупинення падіння втягувального типу (SRD) призначені для використання в якості елемента особистої системи страхування від падіння (PFAS). На малюнку 1 показані пристрої зупинення падіння втягувального типу, описані у цій інструкції. Їх можна використовувати в більшості випадків, коли потрібна комбінація мобільності працівників і захисту від падіння (тобто інспекційна робота, загальне будівництво, ремонтні роботи, видобуток нафти, робота в обмеженому просторі тощо).
- 1.2 СТАНДАРТИ:** Ваш пристрій зупинення падіння втягувального типу відповідає національним або регіональним стандартам, зазначеним на обкладинці цієї інструкції. Ознайомтесь з місцевими, регіональними або федеральними вимогами (Управління з охорони праці, OSHA), що регулюють безпеку праці, для отримання додаткової інформації щодо індивідуального захисту від падіння.
- 1.3 НАВЧАННЯ:** До встановлення та використання цього обладнання допускаються лише особи, навчені правилам роботи з ним. Користувач несе відповідальність за ознайомлення з цими інструкціями та навчання правилам догляду та використання цього обладнання. Користувачі також мають бути обізнаними з робочими характеристиками, межами застосування та наслідками неналежного використання обладнання.
- 1.4 ОБМЕЖЕННЯ:** при встановленні чи використанні цього обладнання завжди враховуйте такі межі застосування:
- **Вантажопідйомність:** Пристрої зупинення падіння втягувального типу призначені для використання однією людиною із загальною вагою (включно з одягом, інструментами тощо) в межах *діапазону ваги*, наведеного в Таблиці № 1. Переконайтесь, що всі компоненти вашої системи розраховані на вантажопідйомність відповідно до застосування.
 - **Кріплення:** Структура кріплення пристроїв зупинення падіння втягувального типу повинна витримувати навантаження до 12 кН (1223 кг). Пристрої кріплення повинні відповідати стандарту EN795 або іншим відповідним стандартам з'єднувача для кріплення.
 - **Швидкість блокування:** Слід уникати ситуацій, за яких на шляху падіння можуть знаходитися перешкоди. При роботі в обмеженому або тісному просторі, або на похилій поверхні тіло може не розвинути швидкості, достатньої для спрацювання цих пристроїв у випадку падіння. При роботі з матеріалами, що пересуваються з невеликою швидкістю, наприклад, піском або зерном, швидкість може бути недостатньою для спрацювання пристроїв зупинення падіння втягувального типу. Для надійного блокування пристроїв необхідно, щоб шлях був вільний.
 - **Вільне падіння:** При закріпленні над головою пристрої зупинення падіння втягувального типу обмежать відстань вільного падіння до 0,6 м.¹ Щоб уникнути збільшення відстані падіння, закріпіть пристрій безпосередньо над рівнем виконання роботи. Ніколи не приєднуйте пристрій до точки кріплення, яка створить вільне падіння більше 1,5 м. Уникайте роботи в місцях, де ваш страхувальний строп може перетинатися або переплутатися зі стропом іншого працівника. Уникайте роботи в місцях, в яких об'єкт може впасти й вдарити по страхувальному стропу, що призводить до втрати рівноваги або пошкодження страхувального стропу. Не допускайте, щоби страхувальний строп проходив під руками або між ногами. Ніколи не затискайте, не зачіпайте, не перешкоджайте втягуванню або натягуванню страхувального стропу. Не допускайте провисання стропу. **Не подовжуйте страхувальні стропи за допомогою під'єднання страхувального стропу, поглинача енергії чи подібного компонента без попередньої консультації з ЗМ.**
 - **Маятникові падіння:** маятникові падіння виникають тоді, коли анкерна точка не знаходиться безпосередньо над точкою, звідки відбувається падіння. Сила удару при маятниковому падінні може спричинити серйозні травми (див. мал. 3А). Мінімізуйте падіння з розгойдуванням, працюючи безпосередньо під точкою кріплення, якщо це можливо (мал. 3В). Віддаляючись від точки кріплення (мал. 3С), ви збільшуєте вплив падіння при розгойдуванні та запас висоти падіння (FC).
 - **Запас висоти падіння:** На мал. 3В зображено розрахунок запасу висоти падіння. Запас висоти падіння (FC) — це сума висоти вільного падіння (FF), відстань уповільнення (DD) і фактора безпеки (SF): $FC = FF + DD + SF$. Ковзання D-подібного кільця та натягування ремня безпеки включені в коефіцієнт безпеки. Значення запасу висоти розраховані та наведені на мал. 4. Фактор безпеки 1 м (3,28 футів) був використаний для всіх значень на мал. 4. На мал. 4 зображено запас висоти падіння (FC) на основі горизонтальної (H) й вертикальної (V) відстані між дорсальним з'єднанням пристрою зупинення падіння втягувального типу та точкою кріплення. Кожна вертикальна лінія сітки на схемі відображає вертикальну відстань від точки кріплення. Кожна вертикальна лінія сітки відображає горизонтальну відстань від точки кріплення. Значення запасу висоти (FC) визначається зоною (параболічними лініями), в якій перетинаються горизонтальні (H) й вертикальні (V) лінії сітки. Приклад на мал. 4 зображено, як визначити необхідне значення запасу висоти (FC) для заявлених вертикальних (V) й горизонтальних (H) відстаней.

Змінні точки кріплення: Запас висоти на мал. 4 встановлений на основі жорсткої, нерухомої точки кріплення. У разі кріплення до горизонтального страхувального стропу (HLL) або точки кріплення, яка може рухатися, ковзати або деформуватися під час падіння, значення запасу висоти падіння, вказане на мал. 4, не застосовується. Ознайомтесь з інструкціями для горизонтального страхувального стропу (HLL) або кріплення для отримання додаткової інформації щодо необхідних значень запасу висоти, прогинів та/або деформації.

Опускання на коліна або робота в зігнутому положенні: Запас висоти на схемі на мал. 4 передбачає, що працівник знаходиться в положенні стоячи. Якщо працівник буде опускатися на коліна або перебувати в зігнутому положенні, потрібно додати додаткові 0,9 м запасу висоти падіння.

Ніколи не встановлюйте кріплення під ногами: Ніколи не встановлюйте з'єднувач на точку кріплення під ногами.

- **Фактори ризику:** Використання цього обладнання в зонах із загрозливим середовищем може вимагати додаткових заходів для попередження травм користувача або пошкодження обладнання. Загрози можуть включати, зокрема, такі: високу температуру, їдкі хімічні речовини, корозійне середовище, високовольтні лінії електропередач, вибухонебезпечні або токсичні гази, рухливі механізми або навислі матеріали, що можуть впасти чи торкнутись користувача або систему попередження падіння. Уникайте роботи в місцях, де ваш страхувальний строп може перетинатися або переплутатися з обладнанням іншого працівника. Уникайте роботи в місцях, в яких об'єкт може впасти й вдарити по страхувальному стропу, що призводить до втрати рівноваги або пошкодження страхувального стропу. Не допускайте, щоби страхувальний строп проходив під руками або між ногами.
- **Гострі краї:** Гострі краї стропу, з якими пристрій зупинення падіння втягувального типу може контактувати під час падіння, повинні мати мінімальний радіус 0,3 см. Якщо контакт із гострим краєм неминучий, накрийте край захисним матеріалом.

2.0 Використання системи

¹ **Вільне падіння:** Правильне застосування пристрою зупинення падіння втягувального типу, при якому користувач працює безпосередньо під точкою кріплення та не послаблює строп, усуне ймовірність вільного падіння. Див. малюнок 4 «Прийнятні місця кріплення».

- 2.1 ПЛАН ЗАХИСТУ ВІД ПАДІННЯ І РЯТУВАЛЬНИХ РОБІТ:** Роботодавець повинен мати на місці робіт план захисту від падіння і рятувальних робіт. План повинен містити керівні принципи та вимоги до програми захисту від падіння під керівництвом роботодавця, включаючи політику, обов'язки та навчання; процедури захисту від падіння; усунення та контроль небезпек падіння; процедури порятунку; розслідування інцидентів; та оцінку ефективності програми.
- 2.2 ПЕРІОДИЧНІСТЬ ПЕРЕВІРОК:** Перед кожним використанням пристрої зупинення падіння втягувального типу перевіряються уповноваженою особою¹ або рятувальником² (див. таблицю № 3). Крім того, перевірки проводяться компетентною особою³ (не працівником). Екстремальні умови праці (агресивне середовище, довготривале використання тощо) можуть вимагати частіших перевірок компетентними особами. Компетентна особа повинна використовувати графік перевірки (таблиця № 2) для визначення відповідних інтервалів між перевірками. Процедура перевірки описана в «Журналі перевірок і обслуговування» (таблиця № 2). Результати перевірки компетентною особою заносяться у «Журнал перевірок і обслуговування» чи відстежують за допомогою системи радіочастотної ідентифікації (RFID) (див. розділ 5).
- 2.3 НОРМАЛЬНИЙ РЕЖИМ ЕКСПЛУАТАЦІЇ:** Нормальний режим експлуатації дозволяє страхувальному стропу витягуватися та втягуватися без коливань або провисання, коли працівник рухається з нормальною швидкістю. У разі падіння активується гальмівна система з визначенням швидкості падіння та зупиняє падіння й поглинає більшу частину створеної енергії. Під час нормальної експлуатації слід уникати раптових або швидких рухів, оскільки це може призвести до блокування пристрою зупинення падіння втягувального типу. При падіннях, які відбуваються поблизу кінця натягування страхувального стропу, вбудовується система резервного страхувального стропу або поглинач енергії для зменшення сили гальмування.
- 2.4 ПІДТРИМКА ТІЛА:** З пристроєм зупинення падіння втягувального типу слід використовувати повну страхувальну систему. Точка під'єднання обов'язки повинна бути вище центру тяжіння користувача. Не дозволяється використовувати запобіжний пояс разом із пристроєм зупинення падіння втягувального типу. Використання запобіжного поясу може призвести у випадку падіння до ненавмисного вивільнення або фізичної травми від неправильної підтримки тіла.
- 2.5 СУМІСНІСТЬ КОМПОНЕНТІВ:** якщо не вказано інше, обладнання ЗМ призначене для використання лише з компонентами та підсистемами, схваленими ЗМ. Заміна на несертифіковані компоненти чи підсистеми може поставити під загрозу сумісність обладнання та вплинути на безпеку й надійність всієї системи.
- 2.6 СУМІСНІСТЬ ФІКСАТОРІВ:** Фіксатори сумісні зі з'єднувальними елементами, якщо призначені для спільного використання таким чином, щоб їх розміри та форми не призвели до випадкового відкриття фіксаторних механізмів незалежно від їх орієнтації. Якщо у вас виникли запитання щодо сумісності, зв'яжіться з ЗМ. Фіксатори (гаки, карабіни, D-подібні кільця) повинні витримувати не менше 22,2 кН (2267,9 кг). Фіксатори мають бути сумісними з кріпленням або іншими компонентами системи. Не використовуйте несумісне обладнання. Несумісні фіксатори можуть випадково роз'єднатися (див. мал. 5). Фіксатори мають бути сумісними за розміром, формою та міцністю. Необхідні гаки та карабіни з автоматичним блокуванням. Якщо з'єднувальний елемент, до якого кріпиться гак чи карабін, є меншим чи має інакшу форму, може виникнути ситуація, де з'єднувальний елемент передає зусилля на блокування гака чи карабіна (А). Це зусилля може призвести до відкриття фіксатора (В), що вивільнить гак або карабін із точки з'єднання (С).
- 2.7 З'ЄДНАННЯ:** Використовуйте із цим обладнанням лише гаки та карабіни з автоматичним блокуванням. Переконайтесь, що всі з'єднання сумісні за розміром, формою та міцністю. Не використовуйте несумісне обладнання. Переконайтесь, що всі фіксатори повністю закриті та заблоковані. Фіксатори ЗМ (гаки та карабіни) призначені для використання лише згідно з інструкціями користувача до кожного виробу. Див. приклад неправильного з'єднання на мал. 6.

Гаки та карабіни не можна кріпити наступними способами:

- A. До D-подібного кільця, до якого під'єднаний інший фіксатор.
- B. Способом, що призведе до навантаження на блокування. Гаки з великим зівом необхідно закріплювати на D-подібних кільцях стандартного розміру або подібних об'єктах, що зумовить перенесення навантаження на блокування, якщо гак або D-подібне кільце перевертеться або повернеться, якщо тільки блокування гака не розраховане на 16 кН (1632,93 кг).
- C. Фальшивим зчепленням, коли розмір чи форма зістикованих фіксаторів не сумісні і без візуального підтвердження схожі на повне зчеплення фіксаторів.
- D. Один до одного.
- E. Безпосередньо до тканинного/канатного стропу чи зтяжки (окрім випадків, коли інструкції виробника на строп і фіксатор спеціально дозволяють таке з'єднання).
- F. До будь-якого об'єкту, який має таку форму або розмір, що гак чи карабін не закривається й не блокується, або може виникнути випадіння.
- G. Способом, що не дає фіксатору прийняти нормальне положення під навантаженням.

Таблиця № 2. Графік перевірок

Тип використання	Приклади застосування	Умови використання	Періодичність перевірок
			Компетентна особа
Непостійне світло	Рятувальні заходи та замкнений простір, обслуговування заводу	Хороші умови зберігання, використання в приміщенні або нечасте використання на відкритому повітрі, температура приміщення, чисте середовище	Щороку
Від помірних до важких	Транспортування, будівництво житла, комунальні послуги, склад	Правильні умови зберігання, використання у приміщеннях і тривале використання на відкритому повітрі, всі температури, чисте або забруднене середовище	Щороку або раз на півроку
Від важких до тривалих	Промислове будівництво, нафтогазовидобування, гірничо-промисловість	Жорсткі умови зберігання, тривале або безперервне використання на відкритому повітрі, всі температури, забруднене середовище	Щоквартально або раз на півроку

1 Уповноважена особа: особа, призначена роботодавцем для виконання обов'язків у місці, де особа може зазнати небезпеки падіння.

2 Рятувальник: особа чи особи, окрім об'єкта порятунку, які надають екстрену допомогу з використанням рятувальної системи.

3 Компетентна особа: Призначена роботодавцем особа, яка несе відповідальність за безпосередній нагляд, впровадження та контроль за програмою захисту від падіння, що здійснюється під керівництвом роботодавця, яка, спираючись на свою підготовку і знання, здатна виявити, оцінити та вирішити наявну та потенційну небезпеку падіння, і яка уповноважена роботодавцем до вжиття негайних коригувальних дій щодо такої небезпеки.

3.0 Встановлення

3.1 ПЛАНУВАННЯ: Сплануйте систему захисту від падіння перед початком роботи. Врахуйте всі фактори, які можуть вплинути на вашу безпеку, до, під час та після падіння. Розгляньте всі вимоги та обмеження, визначені в розділі 2.

У більшості сфер застосування ІК Nano-Lok можна під'єднати до надійної опори або до прив'язі з боку спини. Дозволяються обидва варіанти орієнтації, за винятком випадків, зазначених у розділі 4.

3.2 КРІПЛЕННЯ: На мал. 7 зображено стандартні варіанти кріплення ІК до надійної опори. Виберіть місце для кріплення з мінімальними ризиками вільного падіння та падіння з розкачуванням (див. розділ 1). Виберіть нерухому анкерну точку, здатну витримувати статичні навантаження, визначені в розділі 1. У випадках, коли кріплення до надійної опори зверху неможливе, ІК Nano-Lok можна кріпити до анкерної точки, яка розташована нижче рівня D-подібного кільця на спині користувача. Для користувачів вагою до 140 кг (310 фунтів) анкерні точки мають бути розташовані на відстані не більш ніж 5 футів (1,5 м) нижче D-подібного кільця на спині.

3.3 КРІПЛЕННЯ НА ПРИВ'ЯЗІ: Деякі моделі ІК включають одинарний або подвійний пристрій сполучення ІК для прив'язі для кріплення ІК до страхувальної прив'язі безпосередньо під D-подібним кільцем на спині:

Деякі страхувальні прив'язі обладнані індивідуальними сполучними ланками для ІК (ланками PSRL), за допомогою яких D-подібне кільце на спині з'єднується з елементами кріплення для інерційних котушок, що кріпляться на прив'язі (мал. 8). Також дозволяється під'єднувати ІК до D-подібного кільця страхувальної прив'язі на спині за допомогою карабіна або гака з карабіном.

- **Кріплення однієї ІК до прив'язі:** У ситуаціях, коли рухливість працівника має критичне значення, пристрій сполучення ІК для прив'язі можна використовувати для кріплення ІК ззаду страхувальної прив'язі безпосередньо під D-подібним кільцем на спині (див. мал. 9). Тоді працівник може під'єднуватися до різних анкерних точок, розташованих у різних місцях об'єкту, за допомогою кінця страхувального стропа ІК без необхідності постійно повторно встановлювати ІК. Кріплення ІК на страхувальній прив'язі за допомогою пристрою сполучення ІК для прив'язі:

1. **Ослабте тканину прив'язі:** Витягніть тканинні стропа (А) у місці, де вони проходять через нижню частину D-подібного кільця на спині (В), у такий спосіб, щоб з'явилось досить місця, аби просунути пристрій сполучення ІК для прив'язі поміж тканинними стропами й підкладкою D-подібного кільця.
2. **Відкрийте пристрій сполучення для прив'язі:** Одночасно натисніть кнопки з фіксацією (С) та висуньте стопорний штифт (D).
3. **Розмістіть ІК на пристрої сполучення для прив'язі:** Вставте відкритий фіксаторний механізм пристрою сполучення для прив'язі у вушко вертлюга на ІК (Е). Просуньте пристрій сполучення через вушка вертлюга в такий спосіб, щоб ІК звисувалася з опорної частини пристрою сполучення (F).
4. **Встановіть пристрій сполучення для прив'язі в такий спосіб, щоб він охоплював тканинні стропа:** Встановіть відкритий фіксаторний механізм пристрою сполучення для прив'язі в такий спосіб, щоб він охоплював тканинні стропа (А).
5. **Закрийте пристрій сполучення для прив'язі:** Просуньте стопорний штифт пристрою сполучення для прив'язі (D) через ослаблені тканинні стропа (А) у такий спосіб, щоб він зафіксувався з іншого кінця пристрою сполучення для прив'язі. Затягніть назад тканинні стропа через D-подібне кільце на спині та підкладку для спини, щоб закріпити пристрій сполучення для прив'язі.

Якщо пристрій сполучення для прив'язі не заблоковано, червона смуга на кінці головки стопорного штифта пристрою сполучення для прив'язі буде виглядати назовні. Завжди переконайтесь, що пристрій сполучення для прив'язі заблоковано, перш ніж використовувати прив'язь із приєднаною ІК, щоб уникнути випадкового роз'єднання фіксатора. Недотримання цієї вимоги може призвести до тілесних ушкоджень або смерті.

- **Кріплення двох ІК до прив'язі:** У сферах застосування, коли під час підйомів необхідно забезпечити 100%-не страхування, пристрій сполучення ІК для прив'язі можна використовувати для кріплення двох ІК бік-о-бік ззаду страхувальної прив'язі безпосередньо під D-подібним кільцем на спині (див. мал. 9) Кріплення двох ІК на страхувальній прив'язі за допомогою пристрою сполучення ІК для прив'язі:

1. **Ослабте тканину прив'язі:** Витягніть тканинні стропа (А) у місці, де вони проходять через нижню частину D-подібного кільця на спині (В), у такий спосіб, щоб з'явилось досить місця, аби просунути пристрій сполучення ІК для прив'язі поміж тканинними стропами й підкладкою D-подібного кільця.
2. **Відкрийте пристрій сполучення для прив'язі:** Одночасно натисніть кнопки з фіксацією (С) та висуньте стопорний штифт (D).
3. **Розмістіть інерційні котушки на пристрої сполучення для прив'язі:** Вставте відкритий фіксаторний механізм пристрою сполучення для прив'язі у вушко вертлюга на кожній ІК (Е). Просуньте пристрій сполучення через вушка вертлюга в такий спосіб, щоб інерційні котушки звисувалися з несучої частини пристрою сполучення (F).
4. **Встановіть пристрій сполучення для прив'язі в такий спосіб, щоб він охоплював тканинні стропа:** Встановіть відкритий фіксаторний механізм пристрою сполучення для прив'язі в такий спосіб, щоб він охоплював тканинні стропа (А).
5. **Закрийте пристрій сполучення для прив'язі:** Просуньте стопорний штифт пристрою сполучення для прив'язі (D) через ослаблені тканинні стропа (А) у такий спосіб, щоб він зафіксувався з іншого кінця пристрою сполучення для прив'язі. Затягніть назад тканинні стропа через D-подібне кільце на спині та підкладку для спини, щоб закріпити пристрій сполучення для прив'язі.

Якщо пристрій сполучення для прив'язі не заблоковано, червона смуга на кінці головки стопорного штифта пристрою сполучення для прив'язі буде виглядати назовні. Завжди переконайтесь, що пристрій сполучення для прив'язі заблоковано, перш ніж використовувати прив'язь із приєднаною ІК, щоб уникнути випадкового роз'єднання фіксатора. Недотримання цієї вимоги може призвести до тілесних ушкоджень або смерті.

- **Кріплення двох ІК до фіксованого D-подібного кільця прив'язі:** Старі моделі страхувальних прив'язей ExoFit із фіксованим D-подібним кільцем потребують спеціального пристрою сполучення ІК для прив'язі для під'єднання двох ІК ззаду прив'язі безпосередньо під D-подібним кільцем на спині. Кріплення двох ІК до страхувальної прив'язі ExoFit за допомогою пристрою сполучення ІК для прив'язі із фіксованим D-подібним кільцем (див. мал. 10):
 1. **Ослабте тканину прив'язі:** Витягніть тканинні стропа (А) у місці, де вони проходять через нижню частину D-подібного кільця на спині (В) у такий спосіб, щоби з'явилось досить місця, аби вставити пристрій сполучення ІК для прив'язі поміж тканинними стропами й підкладкою для спини.
 2. **Відкрийте пристрій сполучення для прив'язі:** Встановивши пристрій сполучення ІК для прив'язі у такий спосіб, як зображено на малюнку, просуньте стопорну втулку (С) вправо, а потім поверніть за годинниковою стрілкою, щоби розімкнути фіксаторний механізм (D). Поверніть фіксаторний механізм (D) униз, щоби відкрити його.
 3. **Натягніть першу ІК на пристрій сполучення для прив'язі:** Просуньте носик фіксатора (Е) через вушко вертлюга (F) на ІК, а потім поверніть ІК навколо кінця фіксаторного механізму фіксатора (G). Можна закрити фіксаторний механізм, щоби забезпечити зазор для вушка вертлюга між фіксаторним механізмом та стрижнем фіксатора.
 4. **Встановіть пристрій сполучення для прив'язі в такий спосіб, щоби він охоплював тканинні стропа:** Просуньте носик фіксатора (Е) за тканинні стропа (А). Поверніть фіксатор за тканинні стропа в такий спосіб, щоб фіксатор охоплював тканинні стропа.
 5. **Додайте другу ІК до пристрою сполучення для прив'язі:** Натягніть вушко вертлюга ІК (F) на носик фіксатора (Е) та розташуйте вушко вертлюга ІК на кінці носика фіксатора.
 6. **Закрийте пристрій сполучення для прив'язі:** Закрийте фіксаторний механізм (D) та поверніть стопорну втулку (С) назад у положення блокування. Після закриття пристрою сполучення для прив'язі потягніть тканинні стропа (А) назад через D-подібне кільце на спині, щоби натягнути їх та зафіксувати пристрій сполучення для прив'язі між тканинними стропами та підкладкою для спини.
- **Подвійний карабін 3М® DBI-SALA®:** Подвійний карабін 3М® DBI-SALA® призначений для встановлення двох ІК Nano-Lok бік-о-бік ззаду страхувальної прив'язі безпосередньо під D-подібним кільцем на спині (див. мал. 12). Кріплення двох ІК Nano-Lok до страхувальної прив'язі за допомогою подвійного карабіна:
 1. **Ослабте тканину прив'язі:** Витягніть тканинні стропа (А) у місці, де вони проходять через нижню частину D-подібного кільця на спині (В) у такий спосіб, щоби з'явилось досить місця, аби просунути пристрій сполучення з двома плечима поміж тканинними стропами й підкладкою D-подібного кільця.
 2. **Відкрийте подвійний карабін:** Натисніть на втулку фіксатора (С), щоби відстібнути затискачі (D) від фіксатора, а потім поверніть втулку фіксатора вгору, щоби розблокувати фіксаторний механізм. Натисніть на фіксаторний механізм (Е), щоби відкрити фіксатор.
 3. **Натягніть першу ІК Nano-Lok на подвійний карабін:** Просуньте носик фіксатора (F) через вушко вертлюга (G) на ІК, а потім поверніть ІК навколо кінця фіксаторного механізму фіксатора (H). Можна повернути фіксаторний механізм у сторону носика, щоби забезпечити зазор для вушка вертлюга між фіксаторним механізмом та стрижнем фіксатора.
 4. **Встановіть подвійний карабін у такий спосіб, щоби він охоплював тканинні стропа:** Встановивши фіксаторний механізм отвором угору, просуньте носик фіксатора (F) за тканинні стропа (А). Поверніть фіксатор за тканинні стропа в такий спосіб, щоби фіксатор охоплював тканинні стропа.
 5. **Додайте другий ІК Nano-Lok до подвійного карабіну:** Натягніть вушко вертлюга ІК (G) на носик фіксатора (F) та розташуйте вушко вертлюга ІК на кінці носика фіксатора (F). Закрийте фіксаторний механізм (Е).
 6. **Закрийте подвійний карабін:** Поверніть втулку фіксатора (С) уперед у такий спосіб, щоби затискачі (D) закріпилися на фіксаторі. Якщо ви належним чином закрили карабін, тканинні стропа мають проходити через проріз для тканини (J) зверху втулки фіксатора, а вушка вертлюга ІК мають бути зафіксовані в заглибленнях (K) на обох сторонах втулки фіксатора. Після закриття пристрою сполучення для прив'язі потягніть тканинні стропа (А) назад через D-подібне кільце на спині й підкладку D-подібного кільця, щоби натягнути тканину та зафіксувати фіксатор між тканинними стропами та підкладкою D-подібного кільця.
- **Подвійний карабін зі штифтами 3М® DBI-SALA®:** Таке під'єднання прив'язі можна використовувати для кріплення одної ІК Nano-Lok або двох ІК Nano-Lok у сферах застосування, коли під час підйомів необхідно забезпечити 100%-не страхування (див. мал. 11):
 1. **Ослабте тканину прив'язі:** Витягніть тканинні стропа (А) у місці, де вони проходять через нижню частину D-подібного кільця на спині (В) у такий спосіб, щоби з'явилось досить місця, аби просунути пристрій сполучення з двома плечима поміж тканинними стропами й підкладкою D-подібного кільця.
 2. **Одинарна конфігурація:** Вставте вушко вертлюга одної ІК у центр відкритого отвору.
 3. **Подвійна конфігурація:** Вставте вушко вертлюга одної ІК у відкритий отвір ближче до штифта й іншої ІК у відкритий отвір далі від штифта.
 4. Просуньте штифт назад у закриті положення, поки не почуєте клацання. Штифт має бути надійно зафіксовано.
 5. Одночасно натисніть дві кнопки на стороні прив'язі фіксатора, коли висовуватимете штифт. Коли штифт буде висунуто, з'явиться відкритий отвір.
 6. Трохи ослабте тканинні стропа безпосередньо під D-подібним кільцем на спині вашої прив'язі. Просуньте сторону прив'язі фіксатора під D-подібним кільцем.
 7. Вставте штифт назад в такий спосіб, щоби він залишався під обома шарами тканинних стропів прив'язі (ви повинні почути клацання). Штифт має бути надійно зафіксовано.

4.0 ЗАСТОСУВАННЯ

Перед застосуванням інерційних катушок (ІК) користувачі, які застосовують їх уперше або рідко, мають ознайомитися з інформацією з безпеки, що викладена на початку цього посібника, перш ніж використовувати ІК.

- 4.1 ПЕРЕД КОЖНИМ ВИКОРИСТАННЯМ:** Перед кожним використанням цього обладнання для захисту від падіння треба уважно його оглянути, щоби пересвідчитися в його справному стані. Перевірте на наявність зношених або пошкоджених деталей. Пересвідчитися, що всі болти на місцях та надійно закріплені. Перевірте, що страхувальний канат належним чином втягується, витягнувши канат та давши йому змогу повільно втягнутися назад. Якщо ви помітите будь-які затримки під час втягування, пристрій необхідно вилучити з експлуатації та утилізувати. Перевірте страхувальний канат на наявність порізів, протертих, обпалених, роздавлених місць та корозії. Перевірте функцію блокування, різко потягнувши за канат. Див. докладну інформацію про перевірку в Журнали перевірок та обслуговування (таблиця 3). Не використовуйте пристрій, якщо під час перевірки буде виявлено його небезпечний стан.
- 4.2 ПІСЛЯ ПАДІННЯ:** Будь-яке обладнання, що зазнало впливу сил стримування падіння або має пошкодження, які відповідають впливу сил стримування падіння, як описано в таблиці 3, треба вилучити з експлуатації та утилізувати.
- 4.3 ПІДТРИМКА ТІЛА:** Під час використання ІК слід вдягати страхувальну прив'язь. Під'єднуйтеся до D-подібного кільця на спині для забезпечення загального захисту від падіння.
- 4.4 З'ЄДНАННЯ:** На мал. 5 зображено прив'язь та анкерні точки для систем стримування падіння на основі ІК. Якщо для з'єднання використовується гак, потрібно забезпечити неможливість його розчеплення (див. мал. 5). Не використовуйте гаки чи фіксатори, які не змикаються повністю на об'єкті закріплення. Заборонено використовувати гаки без функції блокування. Анкерна точка має відповідати вимогам міцності анкерної точки, які вказано в таблиці 2. Дотримуйтесь інструкцій виробника, що надаються з кожною складовою частиною системи.
- 4.5 ЗАСТОСУВАННЯ:** Перед використанням виконайте перевірку, зазначену в таблиці 3. На мал. 14 зображено системні з'єднання для стандартних сфер застосування ІК. Під'єднайте ІК до належної анкерної точки або закріпіть ІК ззаду страхувальної прив'язі згідно з інструкціями в розділі 3. Якщо ІК під'єднано до анкерної точки, під'єднайте гак (D) або карабін на індикаторі навантаження до D-подібного кільця на спині (D) страхувальної прив'язі. Якщо ІК під'єднано до прив'язі, під'єднайте гак (D) або карабін до належної анкерної точки. Переконайтеся, що всі з'єднання сумісні за розміром, формою й міцністю. Переконайтеся, що всі гаки повністю зачинені та заблоковані. Після під'єднання працівник може вільно рухатися в межах рекомендованої робочої зони з нормальною швидкістю. У разі падіння ІК заблокується та стримає падіння. Після використання для рятування ІК треба вилучити з експлуатації. Під час роботи з використанням ІК завжди контролюйте згортання страхувального канату у пристрій.
- 4.6 ПОДВІЙНИЙ ПРИСТРІЙ СПОЛУЧЕННЯ ІК ДЛЯ 100%-Ї СТРАХОВКИ:** Якщо до страхувальної прив'язі під'єднано дві ІК бік-о-бік, систему стримування падіння на основі ІК можна використовувати для безперервного захисту від падіння (100%-ва страховка) під час підйомів, спусків або переміщення убік (див. мал. 15). Під час фіксації одного плеча стропа ІК до анкерної точки працівник може переміститися на нове місце, зафіксувати невикористане плече стропа іншої ІК в іншій точці кріплення, а потім від'єднатися від початкової анкерної точки. Ця послідовність повторюється доти, поки працівник не досягне потрібного місця. Під час використання 100%-го страхування із двома ІК необхідно враховувати таке:
- Ніколи не під'єднуйте обидва стропа ІК до однієї анкерної точки (див. мал. 16А).
 - Під'єднання понад одного фіксатора до однієї анкерної точки (кільця або вушка) може поставити під загрозу сумісність з'єднання через взаємодію між фіксаторами, тому це не рекомендується.
 - Під'єднання кожного стропа ІК до окремої анкерної точки є прийнятним (мал. 16В).
 - Кожна точка кріплення має незалежно витримувати навантаження 10 кН (2248 фунтів) або являти собою інженерно-технічну систему, наприклад, горизонтальний страхувальний канат.
 - Ніколи не під'єднуйте більш ніж одну людину одночасно під час використання системи із двома ІК (мал. 16С).
 - Не допускайте, щоби стропа заплутувалися або закручувалися, оскільки це може перешкодити їхньому втягуванню.
 - Не допускайте, щоби під час використання якісь стропа проходили під руками або між ногами.
- 4.7 КРІПЛЕННЯ ДВОХ ІК ДО D-ПОДІБНОГО КІЛЬЦЯ НА СПИНІ:** Моделі з карабінами потрібної дії можна кріпити до D-подібного кільця на спині у здвоєній конфігурації. Кріплення двох ІК до D-подібного кільця на спині прив'язі (мал. 13):
- 1. Відкрийте карабін потрібної дії:** Візьміть карабін потрібної дії, як показано на малюнку, та натисніть стопорну втулку (С) вправо, а потім поверніть за годинниковою стрілкою, щоби розблокувати фіксаторний механізм (D). Поверніть фіксаторний механізм (D) униз, щоби відкрити його.
 - 2. Натягніть першу ІК на карабін потрібної дії:** Просуньте носик фіксатора (Е) через вушко вертлюга (F) на ІК, а потім поверніть ІК навколо кінця фіксаторного механізму фіксатора (G). Можна закрити фіксаторний механізм, щоби забезпечити зазор для вушка вертлюга між фіксаторним механізмом та стрижнем фіксатора.
 - 3. Додайте другу ІК на карабін потрібної дії:** Натягніть вушко вертлюга ІК (F) на носик фіксатора (Е).
 - 4. Просуньте карабін потрібної дії через D-подібне кільце:** Просуньте носик фіксатора (Е) через D-подібне кільце (А). Проверніть фіксатор через D-подібне кільце до закриття фіксаторного механізму.
 - 5. Закрийте карабін потрібної дії:** Закрийте фіксаторний механізм (D) та проверніть стопорну втулку (С) назад у положення блокування.
- 4.8 ГОРИЗОНТАЛЬНІ СИСТЕМИ:** Коли ІК використовується разом із горизонтальною системою (наприклад, горизонтальний страхувальний канат, горизонтальний пересувний блок для двотаврової балки), компоненти ІК мають бути сумісними із компонентами горизонтальної системи. Горизонтальні системи мають бути спроектовані та встановлені під наглядом висококваліфікованого інженера. Щоб отримати докладну інформацію, зв'яжіться з виробником обладнання горизонтальної системи.

Значення запасу висоти на мал. 4 базуються на кріпленні до нерухомої, фіксованої анкерної точки й не застосовуються для кріплення до системи горизонтального каната (HLL). Ознайомтеся з інструкцією з експлуатації HLL та зв'яжіться з тим, хто встановлював систему HLL, щоби визначити необхідні значення запасу висоти.

5.0 Перевірка

- 5.1 МІТКА РАДІОЧАСТОТНОЇ ІДЕНТИФІКАЦІЇ:** Інерційна котушка включає мітку радіочастотної ідентифікації (RFID) (див. мал. 17). Мітка RFID може використовуватися з портативним пристроєм зчитування та веб-порталом для спрощення контролю та інвентаризації та забезпечення обліку вашого обладнання захисту від падіння. Для отримання детальнішої інформації зверніться до представника служби підтримки клієнтів ЗМ (див. задню сторінку обкладинки). Дотримуйтеся інструкцій, наведених у комплекті з вашим портативним пристроєм зчитування чи на веб-порталі, щоб перенести дані до веб-журналу.
- 5.2 ПЕРІОДИЧНІСТЬ ПЕРЕВІРОК:** Перевірку інерційної котушки треба проводити з інтервалами, визначеними в розділі 2. Процедури перевірки описано в «Журналі перевірок і технічного обслуговування» (таблиця 3).

Екстремальні умови праці (агресивне середовище, довготривале використання тощо) можуть збільшувати частоту перевірок (див. таблицю 2).

- 5.3 НЕБЕЗПЕЧНІ АБО ДЕФЕКТНІ УМОВИ:** Якщо перевірка виявить небезпечний або несправний стан ІК, її треба негайно вилучити з експлуатації та утилізувати (див. розділ 6).

Проводити ремонт обладнання має право лише компанія «ЗМ» або сторони, уповноважені компанією «ЗМ» у письмовій формі.

- 5.4 ТЕРМІН СЛУЖБИ:** Функціональний термін служби інерційних котушок ЗМ визначається умовами роботи та обслуговуванням. Поки виріб відповідає критеріям перевірки, він може залишатися в експлуатації (в межах максимального терміну служби виробу). Максимальний термін служби ІК із текстильними тканинними страхувальними канатами не може перевищувати 10 років із дати виробництва.

6.0 ТЕХНІЧНЕ ОБСЛУГОВУВАННЯ, РЕМОНТ та ЗБЕРІГАННЯ

- 6.1 ОЧИЩЕННЯ:** Нижче наведено процедури очищення ІК:

- Періодично очищуйте ІК ззовні за допомогою води та м'якого мильного розчину. Розташуйте ІК так, щоби надлишок води міг стікати. Очищуйте ярлики відповідно до вимог.
- Очищуйте тканинний страхувальний канат водою та м'яким мильним розчином. Прополощіть і ретельно просушіть на повітрі. Не сушіть за допомогою високої температури. Висушіть страхувальний канат, перш ніж дати змогу йому втягнутися в корпус. Надмірне накопичення бруду, фарби тощо може заважати повному втягуванню страхувального каната в корпус, що створює потенційну небезпеку вільного падіння.

- 6.2 РЕМОНТ:** ІК не підлягають ремонту. Якщо ІК зазнала впливу сили падіння, або якщо під час перевірки виявлено небезпечний або дефектний стан, ІК треба негайно вилучити з експлуатації й утилізувати (див. «Утилізація»).

- 6.3 ЗБЕРІГАННЯ/ТРАНСПОРТУВАННЯ:** Зберігайте та перевозьте ІК у прохолодному сухому чистому місці без впливу прямих сонячних променів. Уникайте місць із можливими хімічними випарами. Ретельно оглядайте ІК після кожного періоду тривалого зберігання.

- 6.4 УТИЛІЗАЦІЯ:** ІК треба утилізувати, якщо вона зазнала впливу сили падіння або якщо під час перевірки виявлено небезпечний або дефектний стан. Перш ніж утилізувати ІК, розріжте страхувальний канат навпіл або іншим чином утилізуйте ІК, щоби унеможливити невмісне повторне використання.

7.0 Ярлики

На мал. 22 зображено ярлики на інерційних котушках та їхнє розташування. На ІК мають бути всі ярлики. Якщо ярлики не повністю розбірливі, їх треба замінити. Піктограми на ярликах мають такі значення:

1	Перевірте карабінний гак та індикатор впливу
2	Перевірте функцію блокування ІК
3	Правильний спосіб під'єднання ІК до прив'язі
4	Виріб не сертифікований для застосування у сферах, де він може контактувати з гострими краями. Дозволяється під'єднання до анкерної точки, яку розташовано вище, нижче або на рівні із D-подібним кільцем на спині (максимум 140 кг).
5	Діапазон температур використання: від -40 °C до +60 °C
6	Максимальна вантажопідйомність: 140 кг
7	Завжди контролюйте згортання страхувального канату в ІК
8	Ремонт виробу заборонено
9	Зберігайте в прохолодному сухому чистому місці без впливу прямих сонячних променів.
10	Забороняється навантажувати через край
11	Не знімайте ярлик

Таблиця 3. Журнал перевірок та обслуговування

Серійні номери:		Дата придбання:	
Номер моделі:		Дата першого використання:	
Дата перевірки:		Ким перевірено:	
Компонент:	Перевірка: <i>(див. періодичність перевірок у розділі 2)</i>	Пройдено	Не пройдено
ІК (Мал. 18)	Перевірити наявність ослаблених затискачів та зігнутих або пошкоджених частин.	<input type="checkbox"/>	<input type="checkbox"/>
	Перевірити корпус (А) на деформацію, тріщини або інші пошкодження.	<input type="checkbox"/>	<input type="checkbox"/>
	Перевірити вертлюг (В) та вушко вертлюга (С) або вбудований фіксатор (D) на деформацію, тріщини або інші пошкодження. Вертлюг має бути надійно прикріплений до ІК, але він має вільно повертатися. Вушко вертлюга або вбудований фіксатор мають вільно повертатися у вертлюгу.	<input type="checkbox"/>	<input type="checkbox"/>
	Тканинний страхувальний канат (Е) має витягуватися й втягуватися повністю без затримок або спричинення провисання каната.	<input type="checkbox"/>	<input type="checkbox"/>
	Переконайтеся, що ІК блокується, коли страхувальний канат різко смикають. Блокування має бути повним, без ковзання.	<input type="checkbox"/>	<input type="checkbox"/>
	Усі ярлики мають бути присутніми й повністю розбірливими (див. мал. 20).	<input type="checkbox"/>	<input type="checkbox"/>
	Ретельно перевірити всю ІК на наявність корозії.	<input type="checkbox"/>	<input type="checkbox"/>
Кінцеві фіксатори (Мал. 19)	У таблиці 2 позначено кінцеві фіксатори, які мають постачатися разом із вашою моделлю ІК Nano-Lok. Перевірити карабінні гаки, карабіни, монтажні карабіни, пристрої сполучення тощо на наявність ушкоджень, корозії й належний робочий стан. За наявності: Фіксаторні механізми мають відкриватися, закриватися, блокуватися та розблоковуватися належним чином, а кнопки із фіксацією та стопорні штифти мають працювати належним чином.	<input type="checkbox"/>	<input type="checkbox"/>
Тканинний страхувальний канат (Мал. 20)	Перевірити тканину; матеріал має бути без порізаних (А), потертих (В) чи розірваних волокон. Перевірити наявність розривів, ушкоджень унаслідок тертя, сильного забруднення (С), цвілі, обпалення (D) чи знебарвлення. Перевірити шви. Перевірити витягнуті чи порізані шви. Розірвані шви можуть свідчити про те, що прив'язь була перевантажена та її потрібно вилучити з експлуатації.	<input type="checkbox"/>	<input type="checkbox"/>
Поглинач енергії (Мал. 21)	Перевірити, що вбудований поглинач енергії не було активовано раніше. Зняте або розірване покриття (А), витягнута з під покриття тканина, розірвана або потерта тканина (В), розірвані шви тощо означають, що поглинач енергії вже було активовано.	<input type="checkbox"/>	<input type="checkbox"/>
Заходи щодо ліквідації недоліків / обслуговування:		Затверджено:	
		Дата:	
Заходи для ліквідації недоліків / обслуговування:		Затверджено:	
		Дата:	
Заходи для ліквідації недоліків / обслуговування:		Затверджено:	
		Дата:	
Заходи для ліквідації недоліків / обслуговування:		Затверджено:	
		Дата:	
Заходи для ліквідації недоліків / обслуговування:		Затверджено:	
		Дата:	
Заходи для ліквідації недоліків / обслуговування:		Затверджено:	
		Дата:	
Заходи для ліквідації недоліків / обслуговування:		Затверджено:	
		Дата:	

<p align="center"> Globale Produktgarantie, Beschränktes Rechtsmittel und Haftungsbeschränkung</p> <p>GARANTIE: FOLGENDES GILT STELLVERTRETEND FÜR ALLE GARANTIIEN ODER BEDINGUNGEN, EINSCHLIESSLICH STILLSCHWEIGEND ANGENOMMENER GARANTIIEN ODER BEDINGUNGEN HINSICHTLICH DER TAUGLICHKEIT ODER EIGNUNG FÜR EINEN BESTIMMTEN ZWECK.</p> <p>Soweit gesetzlich nicht anders vorgeschrieben, werden bei 3M-Produkten für die Absturzsicherung werksseitige Mängel bei Verarbeitung und Material für einen Zeitraum von einem Jahr ab dem Datum der Installation oder der erstmaligen Benutzung durch den ursprünglichen Eigentümer garantiert.</p> <p>BESCHRÄNKTES RECHTSMITTEL: Nach schriftlicher Mitteilung an 3M wird 3M jedes Produkt ersetzen oder austauschen, bei dem durch 3M ein werksseitiger Material- oder Verarbeitungsfehler festgestellt wird. 3M behält sich das Recht vor, die Rücksendung des Produkts an das Werk zur Beurteilung der Garantieansprüche zu verlangen. Unter dieser Garantie sind keine Schäden am Produkt gedeckt, die auf Verschleiß, Missbrauch, Transportschäden, Versäumnis der Instandhaltung des Produkts oder sonstige außerhalb der Kontrolle von 3M liegende Schäden zurückzuführen sind. 3M trifft allein die Entscheidung über Produktzustand und Garantieoptionen.</p> <p>Diese Garantie gilt ausschließlich für den ursprünglichen Käufer und ist die einzige, die für Absturzsicherungsprodukte von 3M maßgeblich ist. Kontaktieren Sie bitte die Kunden-Service-Abteilung, um Unterstützung zu erhalten.</p> <p>HAFTUNGSBESCHRÄNKUNG: SOWEIT NACH GELTENDEM RECHT ZULÄSSIG, IST 3M NICHT HAFTBAR FÜR UNMITTELBARE, MITTELBARE, BESONDERE SCHÄDEN ODER FOLGESCHÄDEN JEDER ART, EINSCHLIESSLICH VON VERLUST VON GEWINN, DER IM ZUSAMMENHANG MIT DEN PRODUKTEN ENTSTEHT, UNGEACHTET DER ANGEFÜHRTEN RECHTSSTHEORIE.</p>	<p align="center">WERELDWIJDE PRODUCTGARANTIE, BEPERKTE VERHAALSMOGELIJKHEID EN BEPERKING VAN AANSPRAKELIJKHEID</p> <p>GARANTIE: DE VOLGENDE BEPALING VERVANGT ALLE GARANTIES OF VOORWAARDEN, EXPLICIET OF IMPLICIET, INCLUSIEF DE IMPLICIETE GARANTIES OF VOORWAARDEN VAN VERKOOPBAARHEID OF GESCHIKTHEID VOOR EEN BEPAALD DOEL.</p> <p>Tenzij anders is bepaald door lokale wetgeving, zijn valbeschermingsproducten van 3M voorzien van een garantie op fabrieksfouten door fabricage- en materiaalgebreken gedurende een periode van één jaar na de datum van installatie of het eerste gebruik door de oorspronkelijke eigenaar.</p> <p>BEPERKTE VERHAALSMOGELIJKHEID: Na schriftelijke kennisgeving aan 3M zal 3M eerder welk product repareren of vervangen waarvan 3M heeft vastgesteld dat het een fabrieksfout heeft door een fabricage- of materiaalgebrek. 3M behoudt zich het recht voor om te eisen dat het product naar zijn vestiging wordt getuurd om garantieaanspraken te beoordelen. Deze garantie is niet van toepassing op productschade door slijtage, oneigenlijk gebruik, misbruik, transportschade, nalatigheid bij onderhoud van het product of andere schade waarvoor 3M geen controle heeft. 3M zal als enige oordelen over de toestand van het product en garantieopties.</p> <p>Deze garantie is alleen van toepassing op de oorspronkelijke koper en is de enige garantie die van toepassing is op valbeschermingsproducten van 3M. Neem contact op met de klantendienst van 3M voor uw regio als u assistentie wenst.</p> <p>BEPERKING VAN AANSPRAKELIJKHEID: VOOR ZOVER TOEGESTAAN DOOR LOCALE WETGEVING, IS 3M NIET AANSPRAKELIJK VOOR ENIGE INDIRECTE, INCIDENTELE, SPECIALE OF GEVOLGSCHADE INCLUSIEF, MAAR NIET BEPERKT TOT, WINSTVERLIES, DIE OP ENIGE WIJZE VERBAND HOUDT MET DE PRODUCTEN, ONGEACHT DE RECHTSLEER DIE WORDT AANGEHAALD.</p>
<p align="center">GARANTIE PRODUIT INTERNATIONALE, RECOURS LIMITÉ ET LIMITATION DE LA RESPONSABILITÉ</p> <p>GARANTIE : LES DISPOSITIONS SUIVANTES SONT PRISES EN LIEU ET PLACE DE TOUTES LES GARANTIES OU CONDITIONS, EXPRESSES OU IMPLICITES, Y COMPRIS LES GARANTIES OU CONDITIONS IMPLICITES DE QUALITÉ MARCHANDE OU D'ADAPTATION À UN USAGE SPÉCIFIQUE.</p> <p>À moins d'un conflit avec une législation locale, les produits antichute de 3M sont garantis contre les défauts de fabrication en usine et de matériaux pendant une période d'un an à compter de la date d'installation ou de la première utilisation par le propriétaire initial.</p> <p>RECOURS LIMITÉ : Sur demande écrite à 3M, 3M s'engage à réparer ou remplacer tout produit considéré par 3M comme souffrant d'un défaut de fabrication en usine ou de matériaux. 3M se réserve le droit d'exiger que le produit lui soit retourné pour une évaluation de la réclamation au titre de la garantie. Cette garantie ne couvre pas les dommages du produit liés à l'usage, aux abus, à la mauvaise utilisation, aux dommages liés aux transports, au manque d'entretien du produit ou tout autre dommage indépendant du contrôle de 3M. 3M sera l'unique juge de la condition du produit et des options de la garantie.</p> <p>Cette garantie ne s'applique qu'au propriétaire initial et elle constitue l'unique garantie s'appliquant aux produits antichute de 3M. Veuillez contacter le service à la clientèle 3M de votre région pour obtenir de l'assistance.</p> <p>LIMITATION DE LA RESPONSABILITÉ : DANS LES MESURES PERMISES PAR LA LÉGISLATION LOCALE, 3M N'EST PAS RESPONSABLE POUR TOUT DOMMAGE INDIRECT, ACCESSOIRE, SPÉCIFIQUE OU CONSÉCUTIF, Y COMPRIS, MAIS SANS S'Y LIMITER, LA PERTE DE PROFITS, LIÉE DE QUELQUE MANIÈRE QUE CE SOIT AUX PRODUITS, MALGRÉ LA THÉORIE JURIDIQUE REVENDIQUÉE.</p>	<p align="center">GARANZIA GLOBALE SUL PRODOTTO, RIMEDIO LIMITATO E LIMITAZIONE DI RESPONSABILITÀ</p> <p>GARANZIA: LA SEGUENTE GARANZIA SOSTITUISCE TUTTE LE GARANZIE O CONDIZIONI, ESPRESSE O IMPLICITE, COMPRESSE LE GARANZIE O CONDIZIONI IMPLICITE DI COMMERCIALIZZABILITÀ O IDONEITÀ PER UN PARTICOLARE SCOPO.</p> <p>Salvo ove diversamente specificato dalle leggi locali, i prodotti di protezione anticaduta 3M sono garantiti da difetti di fabbricazione e dei materiali per un periodo di un anno dalla data di installazione o di primo utilizzo da parte del proprietario originale.</p> <p>RIMEDIO LIMITATO: previa comunicazione scritta a 3M, 3M riparerà o sostituirà qualsiasi prodotto in cui 3M avrà individuato un difetto di fabbricazione o dei materiali. 3M si riserva il diritto di richiedere la restituzione del prodotto all'impianto per la valutazione della richiesta di risarcimento in garanzia. La presente garanzia non copre i danni al prodotto causati da urta, abuso, utilizzo errato, trasporto o mancata manutenzione del prodotto o altri danni avvenuti fuori dal controllo di 3M. 3M è la sola che potrà giudicare le condizioni del prodotto e le opzioni di garanzia.</p> <p>La presente garanzia è valida solo per l'acquirente originale ed è l'unica applicabile ai prodotti di protezione anticaduta 3M. Per assistenza, contattare il Servizio Clienti di 3M della propria area.</p> <p>LIMITAZIONE DI RESPONSABILITÀ: NELLA MISURA CONSENTITA DALLE LEGGI LOCALI, 3M NON RISPONDE DI EVENTUALI DANNI INDIRETTI, INCIDENTALI, SPECIALI O CONSEGUENZIALI COMPRESI, SENZA LIMITAZIONE, DANNI PER PERDITA DI PROFITTO, IN QUALSIASI MODO COLLEGATI AI PRODOTTI INDIPENDENTEMENTE DALLA TEORIA LEGALE ASSERTITA.</p>
<p align="center">GARANTIA GLOBAL DO PRODUTO, REPARAÇÃO LIMITADA E LIMITAÇÃO DE RESPONSABILIDADE</p> <p>GARANTIA: A SEGUINTE É FEITA EM LUGAR DE TODAS AS GARANTIAS OU CONDIÇÕES, EXPRESSAS OU IMPLÍCITAS, INCLUINDO AS GARANTIAS OU CONDIÇÕES DE COMERCIALIZAÇÃO OU ADEQUAÇÃO A UM DETERMINADO FIM.</p> <p>Salvo disposição em contrário pelas leis locais, os produtos de proteção contra quedas da 3M têm garantia contra defeitos de fábrica, quer no fabrico, quer nos materiais, por um período de um ano, a partir da data de instalação ou da primeira utilização pelo proprietário original.</p> <p>REPARAÇÃO LIMITADA: Após a notificação por escrito à 3M, a 3M irá reparar ou substituir qualquer produto que a 3M determinar ter um defeito de fábrica no fabrico ou nos materiais. A 3M reserva-se o direito de exigir que o produto seja devolvido às suas instalações para avaliação das solicitações de garantia. Esta garantia não cobre danos ao produto devidos ao desgaste, abuso, mau uso, danos durante o transporte, falha na manutenção do produto ou outros danos fora do controlo da 3M. A 3M será o único juiz da condição do produto e opções de garantia.</p> <p>Esta garantia aplica-se somente ao comprador original e é a única garantia aplicável aos produtos de proteção contra quedas da 3M. Entre em contacto com o departamento de atendimento ao cliente da 3M na sua área para obter assistência.</p> <p>LIMITAÇÃO DE RESPONSABILIDADE: NA MEDIDA DO PERMITIDO PELAS LEIS LOCAIS, A 3M NÃO SE RESPONSABILIZA POR QUAISQUER DANOS INDIRETOS, INCIDENTAIS, ESPECIAIS OU CONSEQUENTES, INCLUINDO, MAS NÃO SE LIMITANDO À PERDA DE LUCROS DE ALGUMA FORMA RELACIONADA COM OS PRODUTOS, INDEPENDENTEMENTE DA BASE LEGAL INVOCADA.</p>	<p align="center">GARANTÍA GLOBAL DE PRODUCTO, COMPENSACIÓN LIMITADA Y LIMITACIÓN DE RESPONSABILIDAD</p> <p>GARANTÍA: LAS SIGUIENTES DISPOSICIONES PREVALECEÁN SOBRE CUALQUIER GARANTÍA O CONDICIÓN, EXPRESA O IMPLÍCITA, INCLUIDAS LAS CONDICIONES O GARANTÍAS IMPLÍCITAS DE COMERCIALIZABILIDAD O IDONEIDAD PARA UN FIN ESPECÍFICO.</p> <p>Salvo que la legislación local estipule lo contrario, los productos de protección contra caídas de 3M están garantizados contra defectos de fabricación de mano de obra y materiales durante un periodo de un año a partir de la fecha de instalación o del primer uso por parte del propietario original.</p> <p>COMPENSACIÓN LIMITADA: Tras recibir comunicación por escrito, 3M reparará o sustituirá los productos que considere que tienen un defecto de fabricación de mano de obra o materiales. 3M se reserva el derecho a solicitar la devolución del producto a sus instalaciones para evaluar las reclamaciones de garantía. Esta garantía no cubre los daños en el producto resultantes de desgaste, mal uso, uso indebido, daños durante el tránsito, mantenimiento inapropiado del producto o daños que escapen al control de 3M. 3M será el único con derecho a determinar el estado del producto y las opciones de garantía.</p> <p>Esta garantía puede ser utilizada únicamente por el comprador original y es la única que cubre los productos de protección contra caídas de 3M. Si necesita ayuda, póngase en contacto con el departamento de servicios de atención al cliente de 3M.</p> <p>LIMITACIÓN DE RESPONSABILIDAD: EN LA MEDIDA QUE LO PERMITA LA LEGISLACIÓN LOCAL, 3M NO SE RESPONSABILIZARÁ DE LOS DAÑOS INDIRECTOS, FORTUITOS, ESPECIALES O RESULTANTES, INCLUIDA LA PÉRDIDA DE GANANCIA, RELACIONADOS DE MANERA ALGUNA CON LOS PRODUCTOS, INDEPENDIENTEMENTE DE LOS FUNDAMENTOS LEGALES QUE SE ALGUEEN.</p>
<p align="center">GLOBAL PRODUKTGARANTI, BEGRÄNSAD KOMPENSATION OCH BEGRÄNSAD ANSVARSSKYLDIGHET</p> <p>GARANTI: FÖLJANDE GÄLLER SOM ERSÄTTNING FÖR ALLA GARANTIER ELLER VILLKOR, UTTRYCKLIGA ELLER UNDERFÖRSTÅDDA, INKLUSIVE UNDERFÖRSTÅDDA GARANTIER ELLER VILLKOR FÖR SÄLJBARHET ELLER LÄMPLIGHET FÖR ETT VISST ÄNDAMÅL.</p> <p>Såvida inte annat stipuleras i lokala lagar, garanteras 3M:s fallskyddsprodukter mot fabriktionsfel avseende tillverkning och material under en period av ett år från datum för ursprunglig ägares installation eller första användning.</p> <p>BEGRÄNSAD KOMPENSATION: Efter skriftlig avisering till 3M, kommer 3M att reparera eller byta ut varje produkt, som av 3M fastställts vara behäftad med fabriktionsfel vad gäller tillverkning eller material. 3M förbehåller sig rätten att kräva att produkt returneras till företagets anläggning för utvärdering av garantianspråk. Denna garanti omfattar inte produktskada till följd av slitage, felaktig användning, missbruk, skada under transport, underlitenhet att sköta produkten eller annan skada utom 3M:s kontroll. 3M är ensam bedömare av produktiskick och garantialternativ.</p> <p>Denna garanti avser enbart den ursprunglige köparen och är den enda garanti som gäller för 3M:s fallskyddsprodukter. Kontakta 3M:s kundtjänstavdelning i din region för assistans.</p> <p>BEGRÄNSNING AV ANSVARSSKYLDIGHET: I DEN ÖMFATTNING SOM TILLÅTS AV LOKALA LAGAR, ANSVARAR 3M INTE FÖR NÅGRA INDIREKTA, OFÖRUTSÄDDA, SPECIELLA ELLER FÖLJDSKADOR, INKLUSIVE MEN INTE BEGRÄNSAT TILL FÖRLUST AV VINSTER, VILKA PÅ NÅGOT SÄTT HÄNFÖRTS TILL PRODUKTERNA, OAVSETT HÄVDAD RÄTTSLIG GRUND.</p>	<p align="center">МЕЖДУНАРОДНЫЕ ГАРАНТИЙНЫЕ ОБЯЗАТЕЛЬСТВА НА ИЗДЕЛИЕ, ЧАСТИЧНОЕ ВОЗМЕЩЕНИЕ УЩЕРБА И ОГРАНИЧЕНИЕ ОТВЕТСТВЕННОСТИ</p> <p>ГАРАНТИЯ: НАСТОЯЩАЯ ГАРАНТИЯ ЗАМЕНЯЕТ ВСЕ ДРУГИЕ ГАРАНТИИ, ЯВНЫЕ ИЛИ ПОДРАЗУМЕВАЕМЫЕ, ВКЛЮЧАЯ ГАРАНТИИ КОММЕРЧЕСКОГО УСПЕХА ИЛИ ПРИГОДНОСТИ ДЛЯ КАКОЙ-ЛИБО КОНКРЕТНОЙ ЦЕЛИ.</p> <p>Если иное не предусмотрено местным законодательством, на системы для защиты от падения компании 3M распространяется гарантия на отсутствие заводских дефектов изготовления и материалов сроком на один год с момента установки или первого использования первоначальным владельцем.</p> <p>ЧАСТИЧНОЕ ВОЗМЕЩЕНИЕ УЩЕРБА: После получения письменного уведомления компания 3M обязуется осуществить ремонт или замену любого изделия, которое, по определению компании 3M, имеет заводской дефект изготовления или материалов. Компания 3M оставляет за собой право потребовать, чтобы изделие было возвращено на предприятие для оценки обоснованности претензий по гарантии. Данная гарантия не распространяется на дефекты, возникшие в результате износа, неправильного обращения, неправильного использования, повреждения при транспортировке, на дефекты, вызванные техническим обслуживанием, или другие дефекты, не подлежащие контролю компании 3M. Только компания 3M будет принимать решение в отношении состояния изделия и вариантов гарантийного обслуживания.</p> <p>Данная гарантия распространяется только на первоначального покупателя и является единственной гарантией, применяемой к системам для защиты от падения компании 3M. Пожалуйста, свяжитесь с отделом обслуживания клиентов компании 3M в вашем регионе для получения помощи.</p> <p>ОГРАНИЧЕНИЕ ОТВЕТСТВЕННОСТИ: В ПРЕДЕЛАХ, ДОПУСКАЕМЫХ МЕСТНЫМИ ЗАКОНАМИ, КОМПАНИЯ 3M НЕ НЕСЕТ ОТВЕТСТВЕННОСТИ ЗА КАКОЙ-ЛИБО КОСВЕННЫЙ, СЛУЧАЙНЫЙ, ОСОБЫЙ ИЛИ ПОСЛЕДУЮЩИЙ УЩЕРБ, ВКЛЮЧАЯ, ПОМИМО ПРОЧЕГО, ПОТЕРЮ, ПРИБЫЛИ, КАКИМ-ЛИБО ОБРАЗОМ ОТНОСЯЩУЮСЯ К ПРОДУКЦИИ НЕЗАВИСИМО ОТ ПРАВОВОЙ ТЕОРИИ.</p>
<p align="center">GLOBAL PRODUKTGARANTI, BEGRÆNSEDE RETSMIDLER OG BEGRÆNSNING AF GARANTIFORPLIGTELSESR</p> <p>GARANTI: FØLGENDE ERSTATTER ALLE GARANTIER ELLER BETINGELSER, UDTRYKKELIGE ELLER UNDERFORSTÅEDE, HERUNDER DE UNDERFORSTÅEDE GARANTIER ELLER BETINGELSER FOR SALGBARHED ELLER EGNETHED TIL ET SPECIFIKT FORMÅL.</p> <p>Bortset fra hvad der sikres ved gældende love, er 3M's produkter til faldsikring omfattet af en garanti mod fabriksdefekter i den håndværksmæssige udførelse og materialer i en periode på et år fra installationsdatoen eller den første ejers ibrugtagningsdato.</p> <p>BEGRÆNSEDE RETSMIDLER: Ved skriftlig henvendelse til 3M vil 3M reparere eller erstatte ethvert produkt, der af 3M vurderes at have en fabriksdefekt i den håndværksmæssige udførelse eller materialer. 3M forbeholder sig ret til at kræve produktet returneret til dets anlæg for at vurdere krav om garanti. Denne garanti dækker ikke skade på produktet slid, misbrug, forkert brug, transportskade, manglende vedligeholdelse af produktet eller anden skade uden for 3M's kontrol. 3M vil alene fastslå produktets tilstand og mulighederne for garanti.</p> <p>Denne garanti gælder kun for den oprindelige køber og er den eneste garanti gældende for 3M's produkter til faldsikring. Kontakt venligst 3M's kundeserviceafdeling i dit område for at få hjælp.</p> <p>BEGRÆNSNING AF GARANTIFORPLIGTELSESR: I DEN UDSTRÆKNING DET TILLADES AF LOKALE LOVE ER 3M IKKE ANSVARLIG FOR NOGEN INDIREKTE, TILFÆLDIGE, SPECIELLE ELLER PÅFØLGENDE SKADER, HERUNDER MEN IKKE BEGRÆNSET TIL TAB AF FORTJENESTE, DER PÅ NOGEN MÅDE ER RELATERET TIL PRODUKTERNE UANSET DEN UDLAGTE JURIDISKE TEORI.</p>	<p align="center">GLOBAL PRODUKTGARANTI, BEGRÆNSEDE RETSMIDLER OG BEGRÆNSNING AF GARANTIFORPLIGTELSESR</p> <p>GARANTI: FØLGENDE ERSTATTER ALLE GARANTIER ELLER BETINGELSER, UDTRYKKELIGE ELLER UNDERFORSTÅEDE, HERUNDER DE UNDERFORSTÅEDE GARANTIER ELLER BETINGELSER FOR SALGBARHED ELLER EGNETHED TIL ET SPECIFIKT FORMÅL.</p> <p>Bortset fra hvad der sikres ved gældende love, er 3M's produkter til faldsikring omfattet af en garanti mod fabriksdefekter i den håndværksmæssige udførelse og materialer i en periode på et år fra installationsdatoen eller den første ejers ibrugtagningsdato.</p> <p>BEGRÆNSEDE RETSMIDLER: Ved skriftlig henvendelse til 3M vil 3M reparere eller erstatte ethvert produkt, der af 3M vurderes at have en fabriksdefekt i den håndværksmæssige udførelse eller materialer. 3M forbeholder sig ret til at kræve produktet returneret til dets anlæg for at vurdere krav om garanti. Denne garanti dækker ikke skade på produktet slid, misbrug, forkert brug, transportskade, manglende vedligeholdelse af produktet eller anden skade uden for 3M's kontrol. 3M vil alene fastslå produktets tilstand og mulighederne for garanti.</p> <p>Denne garanti gælder kun for den oprindelige køber og er den eneste garanti gældende for 3M's produkter til faldsikring. Kontakt venligst 3M's kundeserviceafdeling i dit område for at få hjælp.</p> <p>BEGRÆNSNING AF GARANTIFORPLIGTELSESR: I DEN UDSTRÆKNING DET TILLADES AF LOKALE LOVE ER 3M IKKE ANSVARLIG FOR NOGEN INDIREKTE, TILFÆLDIGE, SPECIELLE ELLER PÅFØLGENDE SKADER, HERUNDER MEN IKKE BEGRÆNSET TIL TAB AF FORTJENESTE, DER PÅ NOGEN MÅDE ER RELATERET TIL PRODUKTERNE UANSET DEN UDLAGTE JURIDISKE TEORI.</p>

<p align="center">ΠΑΓΚΟΣΜΙΑ ΕΓΓΥΗΣΗ ΠΡΟΪΟΝΤΟΣ, ΠΕΡΙΟΡΙΣΜΕΝΗ ΑΠΟΚΑΤΑΣΤΑΣΗ ΚΑΙ ΠΕΡΙΟΡΙΣΜΟΣ ΕΥΘΥΝΗΣ</p> <p>ΕΓΓΥΗΣΗ: ΤΑ ΑΚΟΛΟΥΘΑ ΑΝΤΙΚΑΘΙΣΤΟΥΝ ΟΛΕΣ ΤΙΣ ΕΓΓΥΗΣΕΙΣ Η ΠΡΟΫΠΟΘΕΣΕΙΣ, ΡΗΤΕΣ Η ΣΙΩΠΗΡΕΣ, ΣΥΜΠΕΡΙΛΑΜΒΑΝΟΜΕΝΩΝ ΤΩΝ ΣΙΩΠΗΡΩΝ ΕΓΓΥΗΣΕΩΝ Η ΠΡΟΫΠΟΘΕΣΕΩΝ ΕΜΠΟΡΕΥΣΙΜΟΤΗΤΑΣ Η ΚΑΤΑΛΛΗΛΟΤΗΤΑΣ ΓΙΑ ΣΥΓΚΕΚΡΙΜΕΝΟ ΣΚΟΠΟ.</p> <p>Εκτός και αν ορίζεται διαφορετικά από την τοπική νομοθεσία, τα προϊόντα προστασίας από πτώση της 3M καλύπτονται από εγγύηση για τυχόν ελαττώματα λόγω κακοτεχνίας και υλικών για χρονική περίοδο ενός έτους από την ημερομηνία της εγκατάστασης ή της πρώτης χρήσης από τον πρώτο ιδιοκτήτη.</p> <p>ΠΕΡΙΟΡΙΣΜΕΝΗ ΑΠΟΚΑΤΑΣΤΑΣΗ: Κατόπιν γραπτής ειδοποίησης στην 3M, η 3M θα επιδιορθώσει ή θα αντικαταστήσει οποιοδήποτε προϊόν κρημνισμένο από την 3M ότι παρουσιάζει εργοστασιακό ελάττωμα λόγω κακοτεχνίας ή υλικών. Η 3M διατηρεί το δικαίωμα να απαιτήσει την επιστροφή του προϊόντος στις εγκαταστάσεις της για αξιολόγηση των αξιωμένων εγγυήσεων. Αυτή η εγγύηση δεν καλύπτει βλάβες προκύπτουσες λόγω θραύσης, κατάρρευσης, κακής χρήσης, ζημίας κατά τη μεταφορά, αποτυχίας συντήρησης του προϊόντος ή άλλης βλάβης πέραν του ελέγχου της 3M. Η 3M θα αποτελέσει τον μοναδικό κρητή της κατάστασης του προϊόντος και των επιλογών εγγύησης.</p> <p>Αυτή η εγγύηση ισχύει μόνο για τον αρχικό αγοραστή και είναι η μόνη εγγύηση που ισχύει για τα προϊόντα προστασίας από πτώση της 3M. Παρακαλούμε επικοινωνήστε με το τμήμα εξυπηρέτησης πελατών της 3M της περιοχής σας για βοήθεια.</p> <p>ΠΕΡΙΟΡΙΣΜΟΣ ΤΗΣ ΕΥΘΥΝΗΣ: ΣΤΟΝ ΒΑΘΜΟ ΠΟΥ ΕΠΙΤΡΕΠΕΤΑΙ ΑΠΟ ΤΗΝ ΤΟΠΙΚΗ ΝΟΜΟΘΕΣΙΑ, Η 3M ΔΕΝ ΕΙΝΑΙ ΥΠΕΥΘΥΝΗ ΓΙΑ ΤΥΧΟΝ ΕΜΒΕΣΕΣ, ΑΠΡΟΒΛΕΠΤΕΣ, ΕΙΔΙΚΕΣ Η ΕΠΑΚΟΛΟΥΘΕΣ ΖΗΜΙΕΣ ΠΟΥ ΠΕΡΙΛΑΜΒΑΝΟΥΝ, ΑΛΛΑ ΔΕΝ ΠΕΡΙΟΡΙΖΟΝΤΑΙ ΣΕ ΑΠΛΑΤΕΙΑ ΚΕΡΑΜΩΝ ΠΟΥ ΧΡΕΤΙΖΕΤΑΙ ΜΕ ΟΠΟΙΟΝΔΗΠΟΤΕ ΤΡΟΠΟ ΜΕ ΤΑ ΠΡΟΪΟΝΤΑ ΑΣΧΕΤΩΣ ΤΗΣ ΝΟΜΙΚΗΣ ΘΕΣΙΑΣ ΠΟΥ ΠΡΟΒΛΑΛΕΤΑΙ.</p>	<p align="center">GLOBALNO JAMSTVO ZA PROIZVOD, OGRANICENJE OBEŠTEČENJA I OGRANICENJE ODGOVORNOSTI</p> <p>JAMSTVO: SLJEDEĆA IZJAVA O JAMSTVU MIJENJA VAŠA DRUGA JAMSTVA ILI ODREDBE, IZRIČITE ILI PRESUTNE, UKLJUČUJUĆI PREŠUTNA JAMSTVA ILI ODREDBE VEZANE UZ MOGUĆNOST PRODAJE ILI PRIKLADNOST ZA ODREĐENU NAMJENU.</p> <p>Osim ako nije drugačije propisano važećim zakonima, za proizvode za zaštitu od pada tvrtke 3M daje se jamstvo u pogledu nepostojanja tvorničke pogreške u izradi ili materijalima, u trajanju od jedne godine od datuma prvog postavljanja ili prve uporabe od strane izvornog vlasnika.</p> <p>OGRANICENJE OBEŠTEČENJE: Po prijemu pismene obavijesti, tvrtka 3M će popraviti ili zamijeniti proizvod za koji tvrtka 3M utvrdi postojanje tvorničke pogreške u izradi ili materijalima. Tvrtka 3M pridržava pravo zahtijevati povrat proizvoda u njezin pogon u svrhu procjene valjanosti jamstvenog zahtjeva. Ovim jamstvom nisu obuhvaćena oštećenja proizvoda uslijed trošenja, zlouporabe, nepravilne uporabe, oštećenja u transportu, neodržavanja te drugih oštećenja izvan kontrole tvrtke 3M. Tvrtka 3M ima isključivo pravo ocjenjivanja stanja proizvoda i jamstvenih opcija.</p> <p>Ovo se jamstvo odnosi samo na izvornog kupca i jedino je jamstvo primjenljivo za proizvode za zaštitu od pada tvrtke 3M. Za pomoć, obratite se Službi za korisnike tvrtke 3M na vašem području.</p> <p>OGRANICENJE ODGOVORNOSTI: U NAJVEĆEM ZAKONOM DOPUŠTENOM OPSEGU, TVRTKA 3M NE SNOŠI ODGOVORNOST ZA BILO KAKVE NEIZRAVNE, SLUČAJNE, POSEBNE ILI POSLJEDICNE ŠTETE UKLJUČUJUĆI, BEZ OGRANIČENJA, GUBITAK PROFITA, VEZANE UZ PROIZVOD, NEOVISNO O MJERODAVNOM PRAVU.</p>
<p align="center">ГЛОБАЛНА ПРОДУКТОВА ГАРАНЦИЈА, ОГРАНИЧЕНИЕ НА ВЪЗСТАНОВЯВАНЕ НА ВРЕДИТЕ И ОГРАНИЧЕНИЕ НА ОТГОВОРНОСТТА</p> <p>ГАРАНЦИЈА: СЛЕДВАЩОТО ЗАМЕНЯ ВСИЧКИ ГАРАНЦИИ ИЛИ УСЛОВИЯ, ИЗРИЧНИ ИЛИ КОВСЕНИ, ВКЛЮЧИТЕЛНО КОВСЕНИ ГАРАНЦИИ ИЛИ УСЛОВИЯ ЗА ТЪРГОВИЯ ИЛИ ПРИГОДНОСТ ЗА ОПРЕДЕЛЕНА ЦЕЛ. Освен ако не е посочено друго в местното законодателство, продуктите на 3M за защита от падане имат гаранция срещу производствени дефекти в изработката и на материалите за период от една година от датата на монтажа или първата употреба от първоначалния собственик.</p> <p>ОГРАНИЧЕНИЕ НА ВЪЗСТАНОВЯВАНЕ НА ВРЕДИТЕ: След писмено уведомление до 3M, 3M ще поправи или замени всеки продукт, за който 3M прецени, че има производствен дефект в изработката или на материалите. 3M си запазва правото да изиска връщането на продукт до завод на производителя за оценка на гаранционните претенции. Тази гаранция не покрива повреди на продукта поради износване, злоупотреба, неправилна употреба, повреда при транспорт, неправилна поддръжка на продукта или друга повреда извън контрола на 3M. Само 3M ще взема решение за състоянието на продукт и възможностите за гаранция.</p> <p>Тази гаранция се прилага само за първоначалния купувач и е единствената приложима гаранция за продукти на 3M за защита от падане. При нужда от помощ, моля, свържете се с отдела за обслужване на клиенти на 3M за Вашия регион.</p> <p>ОГРАНИЧЕНИЕ НА ОТГОВОРНОСТТА: ДО СТЕПЕНТА, РАЗРЕШЕНА ОТ МЕСТНОТО ЗАКОНОДАТЕЛСТВО, 3M НЕ НОСИ ОТГОВОРНОСТ ЗА НИЖКАВИ КОВСЕНИ, СЛУЧАЙНИ, СПЕЦИАЛНИ ИЛИ ПОСЛЕДВАЩИ ПОВРЕДИ, ВКЛЮЧИТЕЛНО, НО БЕЗ ДА СЕ ОГРАНИЧАВА ДО ЗАГУБА НА ПЕЧАЛБИ, СВЪРЗАНИ ПО КАКЪВТО И ДА Е НАЧИН С ПРОДУКТИТЕ, НЕЗАВИСИМО ОТ ПРЕДЯВНОТО ПРАВНО ОСНОВАНИЕ.</p>	<p align="center">ГЛОБАЛНІ ЗÁРУКА НА ВÝРОБЕК, ОМЕЗЕНÉ ОПРАВНÉ ПРОСТŘЕДКУ А ОМЕЗЕНІ ОDPОВÉДНОСТІ</p> <p>ЗÁРУКА: НÁСЛЕДУЮЇЦІ ЗÁРУКА НАНРАЖУЈЕ ВЕŠКЕРÉ ЗÁРУКУ НЕВО ПОДМÍНКУ, АЇ ЖІ ЗÝСЛОВНÉ НЕВО ІМPLICITНІ, А О ВЇЧЕТНÉ ІМPLICITНІХ ЗÁРУК НЕВО ПОДМÍНЕК ПРОДЕЈНОСТІ НЕВО ВНОДНОСТІ ПРО ДАНОЇ УЇЕЛ.</p> <p>Nestanoví-li místní zákony jinak, vztahuje se tato záruka na výrobky společnosti 3M pro ochranu proti pádu na tvorní vady ve zpracování a materiálech po dobu jednoho roku ode dne instalace nebo prvního použití původním majitelem.</p> <p>ОМЕЗЕНÉ ОПРАВНÉ ПРОСТŘЕДКУ: Společnost 3M na základě písemného upozornění poslaného společností 3M opraví nebo nahradí jakýkoli výrobek, u něhož společnost 3M shledá tvorní vadu ve zpracování nebo materiálech. Společnost 3M si vyhrazuje právo požadovat, aby byl výrobek vrácen do jejího zařízení pro posouzení záručních reklamací. Tato záruka se netýká poškození výrobku z důvodu opotrebení, zneužití, nesprávného použití, poškození při přepravě, neprovádění údržby výrobku nebo jiných škod, které jsou mimo kontrolu společnosti 3M. Společnost 3M bude výhradním posuzovatelem stavu výrobku a možnosti záruky.</p> <p>Tato záruka se vztahuje pouze na původního kupujícího a jedná se o jedinou záruku, která se vztahuje na výrobky společnosti 3M pro ochranu proti pádu. Potřebujete-li pomoci, obraťte na oddělení zákaznických služeb společnosti 3M ve svém regionu.</p> <p>ОМЕЗЕНІ ЗÁРУКУ: В РОЗСАХУ ПОВОЛЕНÉМ МÍСТНÍМИ ЗÁКОНУ НЕODПОВÍДА СПОЛЕЧНОСТ 3M ЗÁДНОЇ ЗПРÓСОБЕМ ЗА ЗÁДНÉ НЕПРÍМÉ, НÁДНОДНÉ, ЗВЛÁСТНÍ ЦІ НÁСЛЕДНÉ ŠКОДУ, А О ТИМО ЖІНÉ ВЇЧЕТНÉ УСЛÉНО ЗІСКУ, КТЕРÉ СЕ ТЫКАЈІ ВÝРОБКВ, БЕЗ ОНЛЕДНА НА УПЛАТНÉНУ ПРАВНІ ВÝКЛАД.</p>
<p align="center">GLOBAALI TUOTETAKUU, RAJATTU KORVAUS JA VASTUUNRAJOITUS</p> <p>TAKUU: SEURAAVA ON LAADITTU KAIKKIEN SUORIEN TAI EPÄSUORIEN TAKUIDEN TAI EHTOJEN SIJAAN, MUKAAN LUKIEN EPÄSUORAT TAKUUT MYNTIKELPOISUUDESTA TAI SOPIVUUDESTA TIETYYN TARKKOTUKSEEN.</p> <p>Ellei muutoin paikallisissa laeissa säädetä, 3M-putoamisenestotuotteilla on yhden vuoden takuu valmistusvirheitä ja materiaalivirheitä koskien asennuspäivästä tai alkuperäisen käyttäjän ensimmäisestä käyttöpäivästä alkaen.</p> <p>RAJATTU KORVAUS: Kirjallisella 3M:lle lähetetyllä ilmoituksella 3M korjaa tai vaihtaa kaikki tuotteet, joissa on 3M:n määrittelemä valmistus- tai materiaalivirhe. 3M pidättää oikeuden vaatia tuotetta palautettavaksi tehtaalle takuuvaatimusten arvioimiseksi. Tämä takuu ei kata kulumisesta, tuotteen väärinkäytöstä, kuljetusvahingoista tai tuotteen epäonnistuneesta huollosta aiheutunutta vauriota tai muuta vauriota, johon 3M ei pysty vaikuttamaan. Tuotteen kunnosta ja takuuvaihtoehtoista päätöksen tekee ainoastaan 3M.</p> <p>Tämä takuu koskee vain alkuperäistä ostajaa, ja sitä sovelletaan ainoastaan 3M:n putoamisenestotuotteisiin. Ota yhteyttä paikalliseseen 3M:n asiakaspalveluun saadaksesi apua.</p> <p>VASTUUNRAJOITUS: PAIKALLISTEN LAKIEN SALLIMISSA MÄÄRIN 3M EI OLE VASTUUSSA MISTÄÄN EPÄSUORASTA, SATTUMANVARAISESTA, ERITYISESTÄ TAI AIHEUTUNEESTA VAHINGOSTA, MUKAAN LUKIEN, MUTTA SIIHEN KUITENKAAN RAJOITUTTAMATTA, TUOTTOJEN MENETTÄMINEN, MILLÄÄN TAVALLA TUOTTEISIIN LIITTYEN OIKEUSTEORIASTA HUOLIMATTA.</p>	<p align="center">ÜLEMAAILMNE TOOTEGARANTII, PIIRATUD HEASTAMISVAHENDID JA PIIRATUD VASTUTUS</p> <p>GARANTII. JÄRGMINE ESITATAKSE IGASUGUSTE OTSESTE VÕI KAUDSETE GARANTIIDE VÕI TINGIMUSTE ASEMEL, SEALHULGAS KAUDSETE GARANTIIDE VÕI TINGIMUSTE ASEMEL MUÜDAVUSE SUHTES VÕI SOBIVUSE SUHTES TEATAVAKS OTSTARBEKS.</p> <p>Kui kohalike õigusnormidega ei ole teisi ette nähtud, antakse kukkumiskaitsetoodetele 3M garantii tehases tekkinud teostus- ja materjalidefektide suhtes üheks aastaks alates omaniku poolse paigaldamise või esmakordse kasutamise kuupäevast.</p> <p>PIIRATUD HEASTAMISVAHEND. Pärast kirjaliku teate laekumist 3M-le remondid või vahetab 3M toote, millel on 3M hinnangul tehases tekkinud teostus- või materjalidefekt. 3M jätab endale õiguse nõuda toote tagastamist oma ettevõttele garantiinõuete hindamiseks. See garantii ei hõlma kulumisest, kuritarvitamisest, väärast kasutamistest või transpordil käigus või ebaseisavas hoolduses tekkinud kahjustusi ega muud kahjustusi, mis 3M kontrollilise ei allu. 3M-l on ainuotsustusõigusi toote seisukorra ja garantiivõimaluste kohta.</p> <p>See garantii kehtib ainult algselt ostjale ning on ainus kukkumiskaitsetoodetele 3M kohaldatav garantii. Abi saamiseks võtke ühendust 3M-i oma piirkonna klienditeenindusosakonnaga.</p> <p>PIIRATUD VASTUTUS. KUI SEE ON KOHALIKE ÕIGUSAKTIDEGA LUBATUD, EI VASTUTA 3M TOODETEGA MINGIL VIISIL SEOTUD KAUDSETE, JUHUSLIKE, ERILISTE EGA JÄRELDUSLIKE KAHJUDE EEST, SEALHULGAS KASUMI KAOTAMISE EEST, OLENEMATA VÄIDETAVAST TÄRRELLISETEST ALUSEST.</p>
<p align="center">ГЛОБАЛІS ТЕРМÉКАРАНЦІЯ, КОРЛÁТОЗОТТ ЖÓТÁЛЛÁS ÉS А FELELÓSSÉГ КОРЛÁТОЗÁСА</p> <p>ГАРАНЦІЯ: EZ А ГАРАНЦІЯ МІНДЕН КІФЕЈЕЗЕТ ВАГУ ВÉЛЕЛМЕЗЕТ ГАРАНЦІЯ ВАГУ FELTÉTEL HELYÉBE LÉP, BELÉRTVE AZ ELADHATÓSZÁGRA ÉS EGY MEGHATÁROZOTT CÉLRA VALÓ ALKALMASSÁGRA VONATKÓZÓ VÉLELMEZETT GARANCIÁT VAGY FELTÉLTÉZT IS.</p> <p>Hacsak a helyi jogszabályok másként nem rendelkeznek, a 3M zuhanásgátoló termékekre 1 év garanciát biztosítanak anyagi és gyártási hibák esetén, a termékkel felszerelésének dátumától vagy az eredeti tulajdonos első használatának napjától számítva.</p> <p>КОРЛÁТОЗОТТ ЖÓТÁЛЛÁS: А 3M írásos értesítésével, a 3M bármely, a 3M által megállapított anyagi és gyártási hibával rendelkező termék javítására vagy cseréjére kötelezi magát. А 3M fenntartja a jogot arra, hogy igényelje a termék visszajuttatását annak gyártási helyére а garanciaigény értékelésének céljából. А garancia nem terjed ki а termék kopására vagy nem megfelelő használatá, а szállítási sérülésekre, а fenntartási hiányosságokra vagy egyéb, а 3M-nek nem felróható okok miatt fellépő meghibásodásokra. А 3M saját maga dönti el a termék állapotát és garanciális lehetőségeit.</p> <p>Ez а garancia kizárólag аз eredeti vásárlóra terjed ki és а 3M zuhanásgátoló termékeire ez аз egyetlen érvényben lévő garancia. Támogatásért forduljon а 3M regionális ügyfélszolgálati részlegéhez.</p> <p>А FELELÓSSÉГ КОРЛÁТОЗÁСА: А 3M NEM FELEL SEMMILYEN KÖZVETETT, VÉLETLEN, SPECIÁLIS VAGY KÖVETKEZMÉNYI KÁRÉRT, BELÉRTVE, DE NEM KIZÁRÓLAG, А PROFITVEZTÉSŰ SZÁRMAZÓ KÁROKAT, А JOGSZABÁLYOK ÁLTAL BIZTOSÍTOTT KERETEKEN BELÜL А JOGELMÉLETRE VALÓ TEKINTET NÉLKÜL.</p>	<p align="center">ALPJDÓLEG VÖRÚÁBYRGD, TAKMÖRKUD ÜRRÆDI OG TAKMARKANR ÁBYRGÐAR</p> <p>ÁBYRGD: EFTIRFARANDI ER FRAM SETT Í STAÐINN FYRIR HVERS KYNS SKILYRÐI EÐA ÁBYRGÐIR, FYRILÝSTAR EÐA GEFNAR Í SKYN, Þ.M.T. ÁBYRGÐIR EÐA SKILYRÐI UN SÓLUHÆFNI EÐA HÆFNI Í TILTEKNUM TILGANGI.</p> <p>Nema að kveðdi sé á um annað í staðbundnum lögum, eru fallverndarvörur 3M í ábyrgð gagnvart verksmiðjuöllum handverks og hráefna í eitt ár frá dagsetningu uppsetningar eða fyrstu notkunar upphaflegs eiganda.</p> <p>TAKMÖRKUD ÜRRÆÐI: Að fenginni skriflegri tilkynningu til 3M, mun 3M gera við eða endurnýja allar vörur sem ákveðin er af 3M að hafi verksmiðjualla hvað varðar handverk eða hráefni. 3M áskilur sér rétt til að krefjast þess að vörurni sé skilað í aðstöðu fyrirtekkins svo meta megji ábyrgðarkörfuna. Þessi ábyrgð nær ekki yfir vöruskemmdir vegna slits, slæmrar meðferðar, misnotkunar, skemmda í flutningum, misbrests á viðhaldi vörurnar, eða annarra skemmda sem ekki er í valdi 3M að hafa stjórn á. 3M mun dæma ástand vörurnar að eigin geðþotta og kosti varðandi ábyrgð.</p> <p>Þessi ábyrgð nær aðeins til upphaflegs kaupanda og er aðeins ábyrgð sem á við um fallverndarvörur 3M. Vinsamlegast hafið samband við deild viðskiptavinnjónustu hjá 3M á þínu svæði til að fá aðstoð.</p> <p>TAKMÖRKUD ÁBYRGÐAR: AÐ ÞVÍ MARKI SEM HEIMILAD ER AF STAÐBUNDNUM LÖGUM ÞÁ ER 3M EKKI ÁBYRGT FYRIR NEIÐNUM ÖBEINUM, TILFALLANDI, TILTEKNUM EÐA AFLEIDDU SKEMMDUM, Þ.M.T. EN EKKI TAKMARKAD VIÐ, HAGNADARTAP, SEM Á NOKKURN HÁTT TENGIST VÖRUNNI, SAMA HVAD LAGATILGÁTUR ER STUÐST VIÐ.</p>
<p align="center">ӨНІМНІН ҒАЛАМДЫҚ КЕПІЛДІГІ, ЗИЯНДЫ ІШІНАРА ӨТЕУ ЖӨНЕ ЖАУАПКЕРШІЛІКТІ ШЕКТЕУ</p> <p>КЕПІЛДІГІ: БАРЛЫҚ КЕПІЛДІКТЕР НЕМЕСЕ ШАРТТАРДЫҒЫ, СОНЫҢ ІШІНДЕ, БІРАҚ ОЛАРМЕН ШЕКТЕЛМЕЙ, ЖАНАМА КЕПІЛДІКТЕР НЕМЕСЕ КОММЕРЦИАЛЫҚ ЖАРАМДЫЛЫҒЫ НЕ БЕЛГІЛІ БІР МАҚСАТҚА ЖАРАМДЫЛЫҒЫНА ҚАТЫСТЫ АНЫҚ НЕМЕСЕ ЖАНАМА КЕПІЛДІКТЕРДІŇ ОРНЫНА ТӨМЕНДЕГІ ҚОЛДАНЫЛАДЫ.</p> <p>Жергілікті заңдарда басқасы көрсетілмеген болса, 3M компаниясының құлаудан қорғау өнімдеріне өндіріске және материалдарға қатысты зауыттық ақауларына орнатылған күннен немесе иесінің бірінші пайдалануынан бастап бір жыл мерзімінде кепілдік беріледі.</p> <p>ЗИЯНДЫ ІШІНАРА ӨТЕУ: 3M компаниясына жазбаша түрде хабарландыру жіберген жағдайда 3M компаниясы өндірістік немесе материал ақаулығы бар деп танылған кез келген өнімді жөндейді немесе ауыстырады. 3M компаниясы кепілдік талаптарын бағалау мақсатында өнімнің зауытқа қайтарылуын талап ету құқығын сақтайды. Бұл кепілдік өнімнің тозуы, теріс пайдаланылуы, дұрыс пайдаланылмауы, тасымалдау барысында зақымдалуы, оған қызмет көрсетілмеуі немесе 3M компаниясының бақылауынан тыс бақа да зияндар себебінен зақымдалған өнімдерге қолданылмайды. Өнімнің жағдайы және кепілдік опциялары туралы шешімді тек 3M компаниясы ғана қабылдайды.</p> <p>Бұл кепілдік тек ғана бастапқы сатып алушыға беріледі және 3M компаниясының құлаудан қорғау өнімдеріне қолданылатын жалғыз кепілдік болып табылады. Көмек алу үшін аймағыңыздағы 3M тұтынушыға қызмет көрсету орталығына хабарласыңыз.</p> <p>ЖАУАПКЕРШІЛІКТІ ШЕКТЕУ: ҚОЛДАНЫЛАТЫН ҚҰҚЫҚ ТЕОРИЯСЫНА ҚАРАМАСТАН, 3M КОМПАНИЯСЫ ЖЕРГІЛІКТІ ЗАҢДАРДА РҰҚСАТ ЕТІЛГЕН ШАМАДА ӨНІМДЕРГЕ ҚАТЫСЫ БАР ҚАНДАЙ ДА БІР ТІКЕЛІ ЕМЕС, ЖАНАМА, ІС ЖҮЗІНДЕТІ НЕМЕСЕ СОНЫҢАН ТИГЕН ЗИЯНҒА, СОНЫҢ ІШІНДЕ, БІРАҚ ОЛАРМЕН ШЕКТЕЛМЕЙ, АЛЫНБАЙ ҚАЛҒАН ПАЙДАҒА ЖАУАЛТЫ БОЛМАЙДЫ.</p>	<p align="center">ӨНІМНІН ҒАЛАМДЫҚ КЕПІЛДІГІ, ЗИЯНДЫ ІШІНАРА ӨТЕУ ЖӨНЕ ЖАУАПКЕРШІЛІКТІ ШЕКТЕУ</p> <p>КЕПІЛДІГІ: БАРЛЫҚ КЕПІЛДІКТЕР НЕМЕСЕ ШАРТТАРДЫҒЫ, СОНЫҢ ІШІНДЕ, БІРАҚ ОЛАРМЕН ШЕКТЕЛМЕЙ, ЖАНАМА КЕПІЛДІКТЕР НЕМЕСЕ КОММЕРЦИАЛЫҚ ЖАРАМДЫЛЫҒЫ НЕ БЕЛГІЛІ БІР МАҚСАТҚА ЖАРАМДЫЛЫҒЫНА ҚАТЫСТЫ АНЫҚ НЕМЕСЕ ЖАНАМА КЕПІЛДІКТЕРДІŇ ОРНЫНА ТӨМЕНДЕГІ ҚОЛДАНЫЛАДЫ.</p> <p>Жергілікті заңдарда басқасы көрсетілмеген болса, 3M компаниясының құлаудан қорғау өнімдеріне өндіріске және материалдарға қатысты зауыттық ақауларына орнатылған күннен немесе иесінің бірінші пайдалануынан бастап бір жыл мерзімінде кепілдік беріледі.</p> <p>ЗИЯНДЫ ІШІНАРА ӨТЕУ: 3M компаниясына жазбаша түрде хабарландыру жіберген жағдайда 3M компаниясы өндірістік немесе материал ақаулығы бар деп танылған кез келген өнімді жөндейді немесе ауыстырады. 3M компаниясы кепілдік талаптарын бағалау мақсатында өнімнің зауытқа қайтарылуын талап ету құқығын сақтайды. Бұл кепілдік өнімнің тозуы, теріс пайдаланылуы, дұрыс пайдаланылмауы, тасымалдау барысында зақымдалуы, оған қызмет көрсетілмеуі немесе 3M компаниясының бақылауынан тыс бақа да зияндар себебінен зақымдалған өнімдерге қолданылмайды. Өнімнің жағдайы және кепілдік опциялары туралы шешімді тек 3M компаниясы ғана қабылдайды.</p> <p>Бұл кепілдік тек ғана бастапқы сатып алушыға беріледі және 3M компаниясының құлаудан қорғау өнімдеріне қолданылатын жалғыз кепілдік болып табылады. Көмек алу үшін аймағыңыздағы 3M тұтынушыға қызмет көрсету орталығына хабарласыңыз.</p> <p>ЖАУАПКЕРШІЛІКТІ ШЕКТЕУ: ҚОЛДАНЫЛАТЫН ҚҰҚЫҚ ТЕОРИЯСЫНА ҚАРАМАСТАН, 3M КОМПАНИЯСЫ ЖЕРГІЛІКТІ ЗАҢДАРДА РҰҚСАТ ЕТІЛГЕН ШАМАДА ӨНІМДЕРГЕ ҚАТЫСЫ БАР ҚАНДАЙ ДА БІР ТІКЕЛІ ЕМЕС, ЖАНАМА, ІС ЖҮЗІНДЕТІ НЕМЕСЕ СОНЫҢАН ТИГЕН ЗИЯНҒА, СОНЫҢ ІШІНДЕ, БІРАҚ ОЛАРМЕН ШЕКТЕЛМЕЙ, АЛЫНБАЙ ҚАЛҒАН ПАЙДАҒА ЖАУАЛТЫ БОЛМАЙДЫ.</p>

<p align="center">GARANZIJA GLOBALI TAL-PRODOTT, RIMEDJU LIMITAT U LIMITAZZJONI TAR-RESPONSABILTA</p> <p>GARANZIJA: DAN LI ĠEJ JIEHU POST KULL GARANZIJA JEW KUNDIZZJONI, ESPLIĊITA JEW IMPLIĊITA, INKLUZI L-GARANZIJI JEW KUNDIZZJONIJET IMPLIĊITI TAL-KUMMERCJABBILTA JEW L-IDONEITA GHAL SKOP PARTIKOLARI.</p> <p>Sakemm na jkunx previst mod iehor mill-ligijiet lokali, il-prodotti ta' protezzjoni kontra waqgħa mill-gholi ta' 3M għandhom garanzija rigward difetti tall-fabbrika u manifattura u fil-materjali għal perjodu ta' sena wahda mid-data tal-installazzjoni jew l-ewwel użu mis-sid originali.</p> <p>RIMEDJU LIMITAT: Fuq avviz bil-miktub lil 3M, 3M se ssewvi jew tissostitwixxi kwalunkwe prodott li jiġi determinat minn 3M li għandhom difetti tall-fabbrika u manifattura jew fil-materjali. 3M ttrisserva d-dritt li tehtieg li l-prodott jiġi rritornat fil-facilita tagħha biex jiġu evalwati l-pretensjonijiet tal-garanzija. Din il-garanzija ma tkoprix hsara lill-prodott minhabba użu, abbuż, użu hażin, hsara li saret waqt it-trasport, nuqqas li ssir manutenzjoni tal-prodott jew hsara oħra li mhix fil-kontroll ta' 3M. 3M biss se tiġudika l-kundizzjoni tal-prodott u l-għażliet tal-garanzija.</p> <p>Din il-garanzija tapplika biss għax-xerref originali u hija l-unika garanzija applikabbli għall-prodotti ta' protezzjoni kontra waqgħa mill-gholi ta' 3M. Jekk jogħġbok ikkuntattja lid-dipartiment tas-servizz tal-konsumatur ta' 3M fir-regjun tiegħek għall-għajruna.</p> <p>LIMITAZZJONI TAR-RESPONSABILTA: SAL-ESTENT PERMESS MIL-LIGIJET LOKALI, 3M MHIX RESPONSBILLI GHAL KWALUNKWE HSARA INDIRETTA, INCIDENTALI, SPECJALI JEW KONSEGVENZJALI INKLUZI, IMMA MHUX LIMITATA GHAL TELF TA' QLIGH, RELATAT BI KWALUNKWE MOD MAL-PRODOTTI IRRISPETTIVAMENT MIT-TEORIJA LEGALI AFFERMATA.</p>	<p align="center">GLOBAL PRODUKTGARANTI, BEGRENSET AVHJELP OG BEGRENSENING AV ERSTATNINGSSAVAR</p> <p>GARANTI: DET FØLGENDE KOMMER I STEDET FOR ALLE GARANTIER ELLER VILKÅR, UTTRYKKELIGE ELLER UNDERFORSTÅTTE, INKLUDERT DE UNDERFORSTÅTTE GARANTIENE ELLER VILKÅRENE OM SALGBARHET ELLER EGNETHET FOR ET BESTEMT FORMÅL.</p> <p>Med mindre annet er bestemt av lokale lover, er 3Ms fallsikringsprodukter garantert mot fabrikkasjonsfeil i håndverksmessig utførelse og materialer for en periode på ett år fra installasjonsdatoen eller første bruk av den opprinnelige eieren.</p> <p>BEGRENSET AVHJELP: Ved skriftlig melding til 3M, vil 3M reparere eller erstatte ethvert produkt som av 3M fastslås å ha en fabrikkasjonsfeil i håndverksmessig utførelse eller materialer. 3M forbeholder seg retten til å kreve at produktet blir levert tilbake til fabrikk for evaluering av garantikrav. Denne garantien dekker ikke produktskade grunnet slitasje, misbruk, skade i transit, unnlatelse av å vedlikeholde produktet eller annen skade utenfor 3Ms kontroll. 3M vil være den eneste til å bedømme produktvilkår og garantialternativer.</p> <p>Denne garantien gjelder kun den opprinnelige kjøperen og er den eneste garantien som er anvendelig for 3Ms fallsikringsprodukter. Vennligst kontakt 3Ms kundeserviceavdeling i ditt område for hjelp.</p> <p>BEGRENSENING AV ERSTATNINGSSAVAR: I DEN UTSTREKNING DET ER TILLATT AV LOKALE LOVER, ER IKKE 3M ERSTATNINGSSANSVARLIG FOR NOEN SOM HELST INDIREKTE, HENDELIGE, SPEIELLE ELLER FØLGEMESSIGE SKADER INKLUDERT, MEN IKKE BEGRENSET TIL TAP AV FORTJENESTE, PÅ NOEN SOM HELST MÅTE FORBUNDET MED PRODUKTENE, UAVHENGIG AV HVILKEN JURIDISK TEORI SOM PÅBEROPEES.</p>
<p align="center">GLOBALNA GWARANCJA NA PRODUKTY, OGRANICZONE ROZWIĄZANIE I OGRANICZENIE ODPOWIEDZIALNOŚCI</p> <p>GWARANCJA: PONIŻSZE POSTANOWIENIA ZASTĘPUJĄ WSZYSTKIE GWARANCJE LUB WARUNKI, WYRAŻONE LUB DOMNIEMANE, W TYM DOMNIEMANE GWARANCJE LUB WARUNKI SPRZEDAŻY LUB PRZYDATNOŚCI DO OKREŚLONEGO CELU.</p> <p>O ile lokalne prawo nie przewiduje inaczej, produkty 3M służące do ochrony przed upadkiem są objęte gwarancją na wady fabryczne, w tym wady materiałowe i wykonawcze przez okres jednego roku od daty ich montażu lub pierwszego użycia przez pierwotnego właściciela.</p> <p>OGRANICZENIE ROZWIĄZANIE: Po pisemnym powiadomieniu 3M, 3M naprawi lub wymieni produkt uznany przez 3M za wadliwy w zakresie wykonawstwa lub zastosowanych materiałów. 3M zastrzega sobie prawo do zażądania zwrotu produktu do swojego obiektu w celu oceny roszczenia gwarancyjnego. Niniejsza gwarancja nie obejmuje uszkodzeń produktu wynikających ze zużycia, niewłaściwego użytkowania, uszkodzenia w transporcie, braku właściwej konserwacji produktu lub innych uszkodzeń będących poza kontrolą firmy 3M. 3M będzie jedyną stroną oceniającą stan produktu oraz możliwe opcje gwarancyjne.</p> <p>Niniejsza gwarancja obejmuje wyłącznie pierwszego nabywcę i jest to jedyna gwarancja na produkty 3M służące do ochrony przed upadkiem. W celu uzyskania pomocy prosimy o kontakt z działem obsługi klienta firmy 3M w Państwa regionie.</p> <p>OGRANICZENIE ODPOWIEDZIALNOŚCI: W ZAKRESIE DOZWOLONYM PRZEZ LOKALNE PRAWO, 3M NIE PONOSI ODPOWIEDZIALNOŚCI ZA JAKIEKOLWIEK POŚREDNIE, PRZYPADKOWE, NADZWYCZAJNE LUB WYNIKOWE SZKODY, W TYM, LECC NIE WYŁĄCZNIE, UTRATY ZYSKÓW, W JAKIEKOLWIEK SPOŚÓB ZWIĄZANE Z PRODUKTEM, NIEZALEŻNIE OD PRZEDSTAWIONEJ PODSTAWY PRAWNEJ.</p>	<p align="center">GARANȚIA GLOBALĂ APLICABILĂ PRODUSELOR, MĂSURI REPARATORII LIMITATE ȘI LIMITAREA RĂSPUNDERII</p> <p>GARANȚIE: URMĂTOAREA GARANȚIE ÎNLOCUIESTE TOATE GARANȚIILE ȘI CONDIȚIILE, EXPRESE SAU IMPLICITE, INCLUSIV GARANȚIILE IMPLICITE SAU CONDIȚIILE DE VANDABILITATE SAU DE ADECVARE PENTRU UN ANUMIT SCOP.</p> <p>Numai dacă nu se prevede altfel prin legislația aplicabilă, produsele 3M de protecție împotriva căderii sunt garantate în caz de defecte de fabricație, cauzate de manoperă sau de materiale, pe o perioadă de timp de un an de la data instalării sau a primei utilizări de către proprietarul original.</p> <p>MĂSURI REPARATORII LIMITATE: La notificarea scrisă transmisă către 3M, 3M va repara sau va înlocui orice produs despre care 3M stabilește că prezintă un defect de fabricație, cauzat de manoperă sau de materiale. 3M își rezervă dreptul de a solicita ca produsul să fie returnat la unitatea sa, în vederea evaluării cererii de aplicare a garanției. Această garanție nu acoperă deteriorarea produselor cauzată de uzură, de utilizare abuzivă sau inadecvată, de avarierea în tranzit, de faptul că produsul nu a fost supus operațiunilor de mentenanță sau alte deteriorări ce ies din sfera de control a 3M. 3M va fi singurul care va aprecia starea produsului și opțiunile de garanție.</p> <p>Această garanție i se aplică numai cumpărătorului original și este singura garanție aplicabilă produselor 3M de protecție împotriva căderii. Pentru asistență, vă rugăm să apelați departamentul 3M de Asistență clienți din regiunea dvs.</p> <p>LIMITAREA RĂSPUNDERII: ÎN MĂSURA PERMISĂ PRIN LEGISLAȚIA LOCALĂ, 3M NU RĂSPUNDE PENTRU NICIUN FEL DE DAUNE INDIRECTE, INCIDENTALE, SPECIALE SAU APĂRUTE PE CALE DE CONSECINȚĂ, CEEA CE INCLUDE, FĂRĂ ÎNSĂ A SE LIMITA LA PIERDEREA PROFITULUI, LEGATE ÎN ORICE MOD DE PRODUSE, INDIFFERENT DE LEGISLAȚIA APLICABILĂ.</p>
<p align="center">GLOBALNA GARANCIJA PROIZVODA, OGRANIČEN PRAVNI LEK I OGRANIČENA ODGOVORNOST</p> <p>GARANCIJA: NAVEDENA GARANCIJA JE ZAMENA ZA SVE GARANCIJE ILI USLOVE, BILO IZRIČITE ILI IMPLICITNE, UKLUJUJUĆI IMPLICITNA JEMSTVA ILI USLOVE PRODAJE ILI POGODNOST ZA ODREĐENU NAMENU.</p> <p>Ukoliko nije drugačije propisano lokalnim zakonima, garancija kompanije 3M koja se odnosi na zaštitnu opremu obuhvata fabričke greške u materijalu ili prilikom izrade u periodu od jedne godine od datuma montiranja ili početka korišćenja opreme od strane prvog vlasnika, odnosno korisnika.</p> <p>OGRANIČEN PRAVNI LEK: Nakon pismenog obraćanja kompaniji 3M, kompanija na sebe preuzima odgovornost da popravi ili zameni bilo koji proizvod za koji ustanovi da ima fabričku grešku u izradi ili materijalu. Kompanija 3M zadržava pravo da zahteva povraćaj proizvoda da bi izvršila procenu i utvrdila da li garancija važi za navedeni zahtev. Ova garancija ne obuhvata oštećenja proizvoda nastala habanjem, zloupotrebom, pogrešnom upotrebom, oštećenjima prilikom transportovanja, izostankom pravilnog održavanja ili drugih kvarova ili oštećenja nad kojima kompanija 3M nema kontrolu. Pravo je kompanije 3M da proceni u kakvom stanju se proizvod nalazi i da li garancija obuhvata navedena oštećenja.</p> <p>Ova garancija važi samo za prvog kupca i to je jedina garancija koja važi za zaštitnu opremu koju proizvodi kompanija 3M. Ukoliko imate pitanja, obratite se korisničkoj službi kompanije 3M u svom regionu.</p> <p>OGRANIČENJE ODGOVORNOSTI: U MERI U KOJOJ DOZVOLJAVAJU LOKALNI ZAKONI, KOMPANIJA 3M NIJE ODGOVORNA ZA BILO KAKVE INDIRKETNE, SLUČAJNE, POSEBNE ILI POSLEDIČNE ŠTETE UKLUJUJUĆI, BEZ OGRANIČENJA, GUBITAK PROFITA KOJI JE NA BILO KOJI NAČIN POVEZAN SA PROIZVODIMA BEZ OBZIRA NA PRAVNU OSNOVU.</p>	<p align="center">ГЛОБАЛНА ГАРАНТІЯ ЯКОСТІ ПРОДУКЦІЇ, ОБМЕЖЕНІ ЗАСОБИ ПРАВОВОГО ЗАХИСТУ ТА ОБМЕЖЕННЯ ВІДПОВІДАЛЬНОСТІ</p> <p>ГАРАНТІЯ: НАВЕДЕНІ ДАЛІ ПОЛОЖЕННЯ ЗАСТОСОВУЮТЬСЯ ЗАМІСТЬ УСІХ ПРЯМИХ ЧИ НЕПРЯМИХ ГАРАНТІЙ ТА УМОВ, ЗОКРЕМА ПЕРЕДАЧУВАНІ ГАРАНТІЇ ТА УМОВИ ПРИДАТНОСТІ ДЛЯ ПРОДАЖУ АБО ПРИДАТНОСТІ ДЛЯ ПЕВНОЇ МЕТИ.</p> <p>Якщо інше не передбачено місцевим законодавством, на виробі захисту від падіння компанії 3M надається гарантія відсутності дефектів виробництва та матеріалів протягом одного року з дати встановлення або першого використання першим власником.</p> <p>ОБМЕЖЕНІ ЗАСОБИ ПРАВОВОГО ЗАХИСТУ: Отримавши попереднє письмове повідомлення, компанія 3M відремонтує або замінить будь-який виріб, в якому вона виявляє наявність дефекту виробництва або матеріалів. Компанія 3M залишає за собою право вимагати повернення виробу на свій виробничий об'єкт для оцінки гарантійних вимог. Ця гарантія не поширюється на пошкодження виробу внаслідок зносу, зловживання, неправильного використання, пошкодження в процесі транспортування, порушень в обслуговуванні виробу або іншого пошкодження, що виходить за межі контролю компанії 3M. Компанія 3M має право в односторонньому порядку оцінювати стан виробу та можливість гарантійного обслуговування.</p> <p>Ця гарантія розповсюджується лише на першого покупця та є єдиною гарантією, що застосовується до виробів захисту від падіння компанії 3M. Якщо вам потрібна допомога, зверніться до відділу обслуговування клієнтів компанії 3M у вашому регіоні.</p> <p>ОБМЕЖЕННЯ ВІДПОВІДАЛЬНОСТІ: КОМПАНІЯ 3M НЕ НЕСЕ ВІДПОВІДАЛЬНОСТІ ЗА БУДЬ-ЯКІ НЕПРЯМІ, ВИПАДКОВІ, НАВМИСНІ ТА НАСТУПНІ ЗБИТКИ, ЗОКРЕМА ЗА ВТРАТУ ПРИБУТКІВ, БУДЬ-ЯКИМ ЧИНОМ ПОВ'ЯЗАНИХ ІЗ ВИРОБАМИ, НЕЗАЛЕЖНО ВІД ПРАВОВОЇ ТЕОРІЇ, У МЕЖАХ, ДОЗВОЛЕНИХ МІСЦЕВИМ ЗАКОНОДАВСТВОМ.</p>
<p align="center">KÜRESEL ÜRÜN GARANTİSİ, SINIRLI BAŞVURU YOLU VE SORUMLULUK SINIRLAMASI</p> <p>GARANTİ: AŞAĞIDAKİLER, ZİMNİ TİCARETE ELVERİŞİLİK VEYA BELLİ BİR AMAÇA UYGUNLUK GARANTİ VE KOŞULLARI DA DÂHİL OLMAK ÜZERE, AÇIK VEYA ZİMNİ HER TÜRLÜ GARANTİ VE KOŞULUN YERİNİ ALMAKTADIR.</p> <p>Yerel yasalar aksini belirtmediği müddetçe, 3M düşünce koruması ürünleri montaj tarihi veya orijinal sahibin ilk kullanım tarihinden itibaren bir yıl süreyle işçilik ve malzeme yönünden fabrika kusurlarına karşı garantilidir.</p> <p>SINIRLI BAŞVURU YOLU: 3M, kendisine yapılan yazılı bildirim sonrasında işçilik veya malzeme açısından fabrika kusuruna sahip olduğunu belirlediği herhangi bir ürünün onarabilir veya yenisiyle değiştirilebilir. 3M, garanti iddialarının değerlendirilmesi amacıyla ürünün tesisine iade edilmesini şart koşabilir. Bu garanti; yıpranma, istismar, kötüye kullanım, taşıma sırasında hasar, ürünün bakımının yapılmamasından kaynaklanan ürün hasarını ya da 3M'nin kontrolü dışındaki diğer hasarları kapsamaz. 3M, ürünün durumu ve garanti seçenekleri konusunda yegâne takdir sahibi olacaktır.</p> <p>Bu garanti, yalnızca orijinal satın alma işleminin alıcısı için geçerlidir ve 3M'nin düşünce koruması ürünleri için geçerli olan yegâne garantidir. Destek için lütfen bölgenizdeki 3M müşteri hizmetleri bölümü ile iletişime geçin.</p> <p>SORUMLULUK SINIRLAMASI: 3M, YEREL YASALARIN İZİN VERDİĞİ ÖLÇÜDE, İLERİ SÜRÜLEN YASAL KURAMA BAKILMAKSİZİN ÜRÜNLE HERHANGİ BİR ŞEKİLDE İLGİLİ OLAN KÂR KAYBINI DA KAPSAYAN, ANCAK BUNUNLA SINIRLI OLMAYAN HIÇBİR DOLAYLI, ARIZİ, ÖZEL VEYA BAĞLI HASARDAN SORUMLU DEĞİLDİR.</p>	

GLOBAL PRODUCT WARRANTY, LIMITED REMEDY AND LIMITATION OF LIABILITY

WARRANTY: THE FOLLOWING IS MADE IN LIEU OF ALL WARRANTIES OR CONDITIONS, EXPRESS OR IMPLIED, INCLUDING THE IMPLIED WARRANTIES OR CONDITIONS OF MERCHANTABILITY OR FITNESS FOR A PARTICULAR PURPOSE.

Unless otherwise provided by local laws, 3M fall protection products are warranted against factory defects in workmanship and materials for a period of one year from the date of installation or first use by the original owner.

LIMITED REMEDY: Upon written notice to 3M, 3M will repair or replace any product determined by 3M to have a factory defect in workmanship or materials. 3M reserves the right to require product be returned to its facility for evaluation of warranty claims. This warranty does not cover product damage due to wear, abuse, misuse, damage in transit, failure to maintain the product or other damage beyond 3M's control. 3M will be the sole judge of product condition and warranty options.

This warranty applies only to the original purchaser and is the only warranty applicable to 3M's fall protection products. Please contact 3M's customer service department in your region for assistance.

LIMITATION OF LIABILITY: TO THE EXTENT PERMITTED BY LOCAL LAWS, 3M IS NOT LIABLE FOR ANY INDIRECT, INCIDENTAL, SPECIAL OR CONSEQUENTIAL DAMAGES INCLUDING, BUT NOT LIMITED TO LOSS OF PROFITS, IN ANY WAY RELATED TO THE PRODUCTS REGARDLESS OF THE LEGAL THEORY ASSERTED.

3M



Fall Protection

USA

3833 SALA Way
Red Wing, MN 55066-5005
Toll Free: 800.328.6146
Phone: 651.388.8282
Fax: 651.388.5065
3Mfallprotection@mmm.com

Brazil

Rua Anne Frank, 2621
Boqueirão Curitiba PR
81650-020
Brazil
Phone: 0800-942-2300
falecoma3m@mmm.com

Mexico

Calle Norte 35, 895-E
Col. Industrial Vallejo
C.P. 02300 Azcapotzalco
Mexico D.F.
Phone: (55) 57194820
3msaludocupacional@mmm.com

Colombia

Compañía Latinoamericana de Seguridad S.A.S.
Carrera 106 #15-25 Interior 105 Manzana 15
Zona Franca - Bogotá, Colombia
Phone: 57 1 6014777
fallprotection-co@mmm.com

Canada

260 Export Boulevard
Mississauga, ON L5S 1Y9
Phone: 905.795.9333
Toll-Free: 800.387.7484
Fax: 888.387.7484
3Mfallprotection-ca@mmm.com

EMEA (Europe, Middle East, Africa)

EMEA Headquarters:
Le Broc Center
Z.I. 1re Avenue - BP15
06511 Carros Le Broc Cedex
France
Phone: + 33 04 97 10 00 10
Fax: + 33 04 93 08 79 70
informationfallprotection@mmm.com

Australia & New Zealand

137 McCredie Road
Guildford
Sydney NSW 2161
Australia
Phone: +(61) 2 8753 7600
Toll-Free : 1800 245 002 (AUS)
Toll-Free : 0800 212 505 (NZ)
Fax: +(61) 2 8753 7603
anzfallprotectionsales@mmm.com

Asia

Singapore:
1 Yishun Avenue 7
Singapore 768923
Phone: +65-6450 8888
Fax: +65-6552 2113
TotalFallProtection@mmm.com

China:

38/F, Maxdo Center, 8 Xing Yi Rd
Shanghai 200336, P R China
Phone: +86 21 62753535
Fax: +86 21 52906521
3MFallProtection-CN@mmm.com

Korea:

3M Korea Ltd
20F, 82, Uisadang-daero,
Yeongdeungpo-gu, Seoul
Phone: +82-80-033-4114
Fax: +82-2-3771-4271
TotalFallProtection@mmm.com

Japan:

3M Japan Ltd
6-7-29, Kitashinagawa, Shinagawa-ku, Tokyo
Phone: +81-570-011-321
Fax: +81-3-6409-5818
psd.jp@mmm.com

WEBSITE:
3M.com/FallProtection



EU DECLARATION OF CONFORMITY:
3M.com/FallProtection/DOC