




Fall Protection

	EN795: 2012 Type E
CE Type Test No. 2777 Satra Technology Europe Ltd Bracetown Business Park Clonee, Dublin D15 YN2P Ireland	CE Product Quality Control No. 2797 BSI The Netherlands B.V. Say Building John M. Keynesplein 9 1066 EP Amsterdam Netherlands

**ROOF TOP COUNTERWEIGHT ANCHOR
Anchorage Connector**

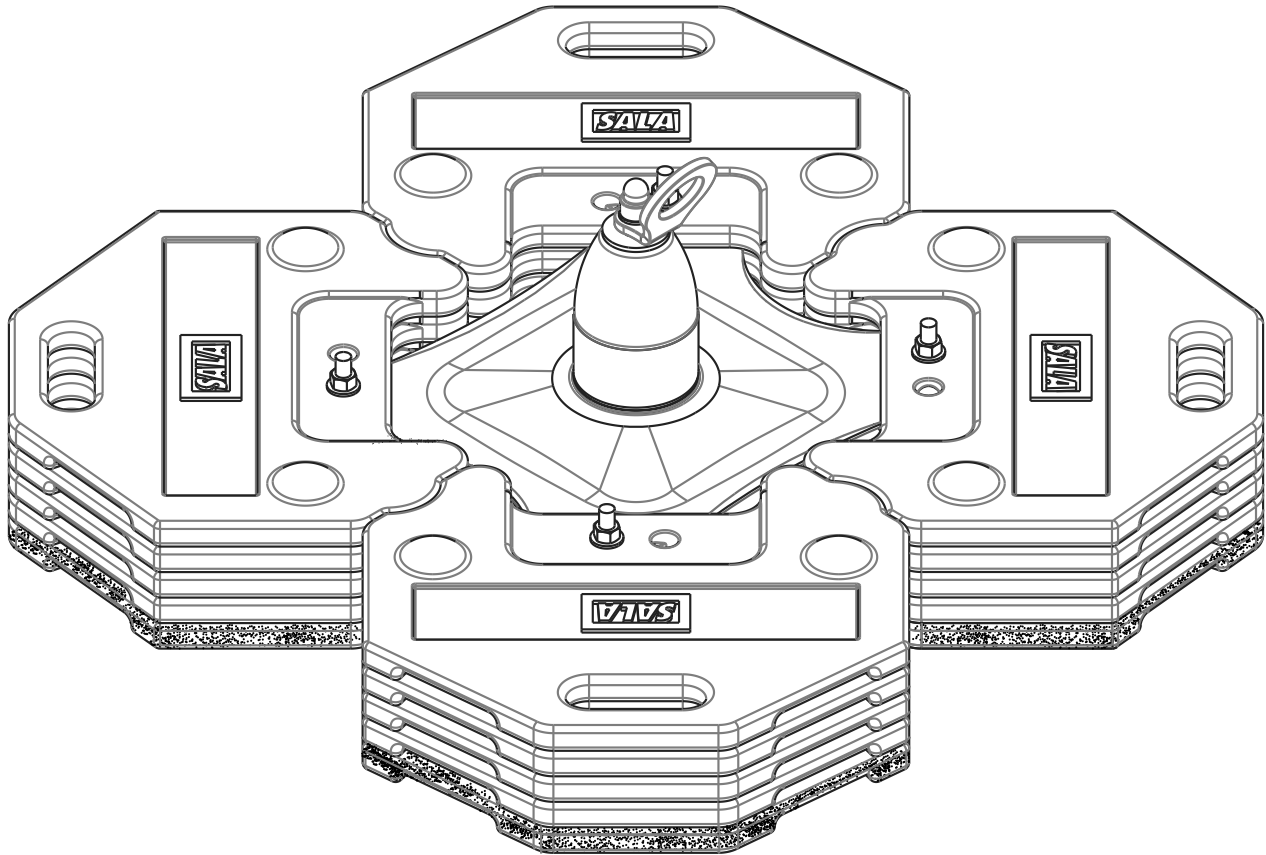
**USER INSTRUCTION MANUAL
5903726 REV. G**

1

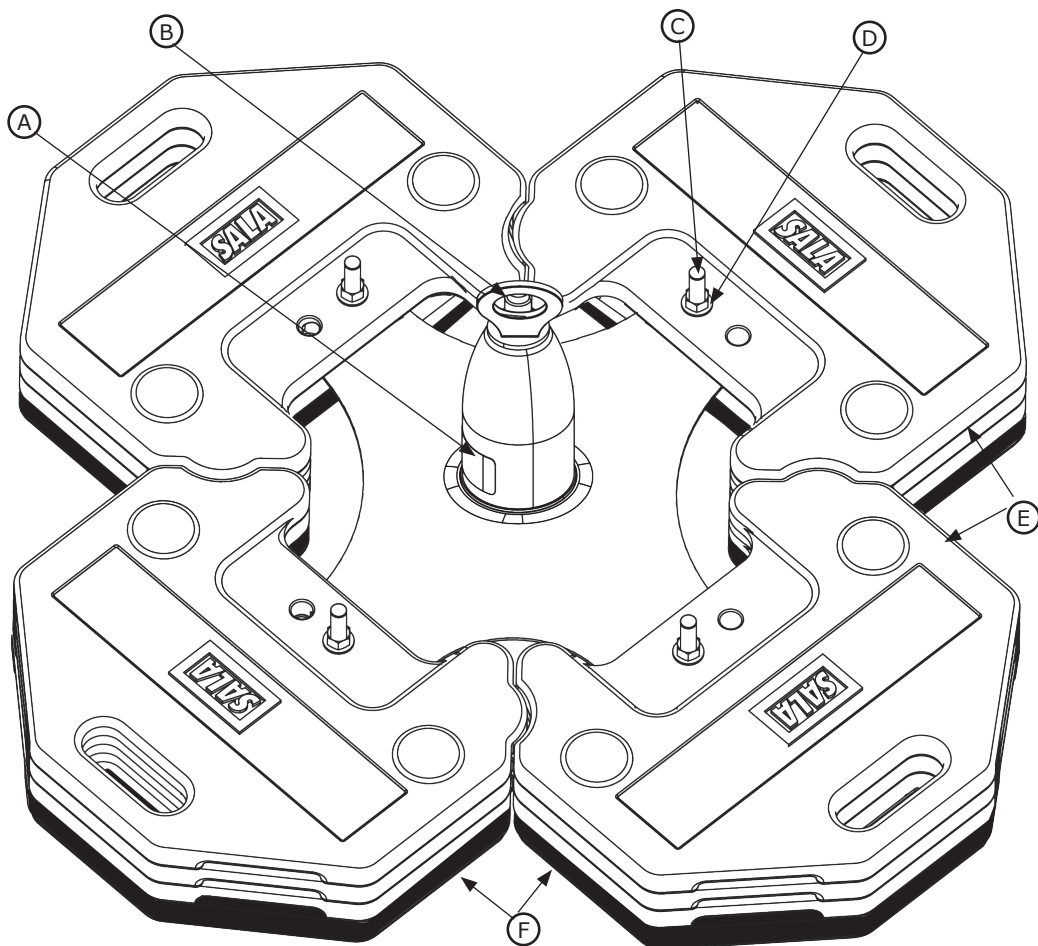
2100180

102.1 cm x 102.1 cm x 35.8 cm
(40.2 in x 40.2 in x 14.1 in)

415 kg
(915 lbs)

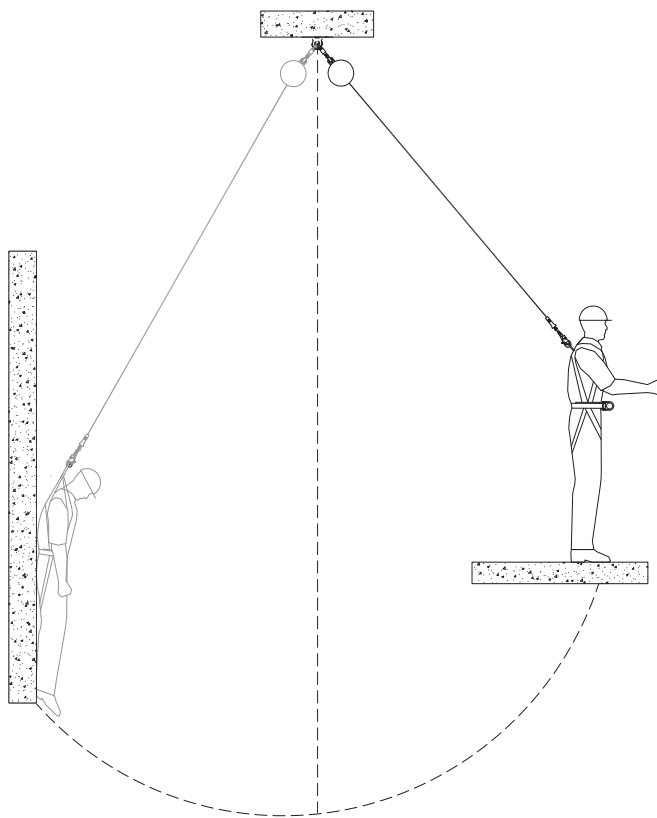
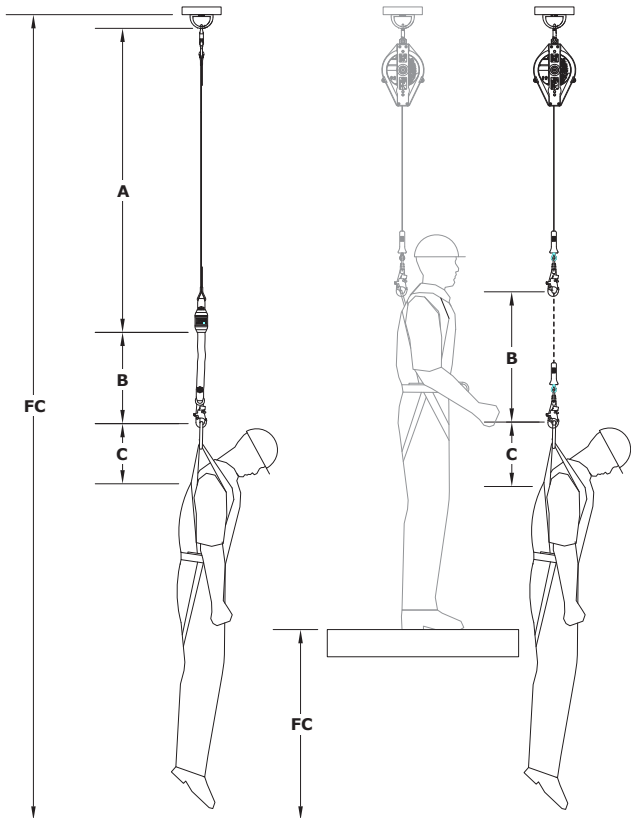


2

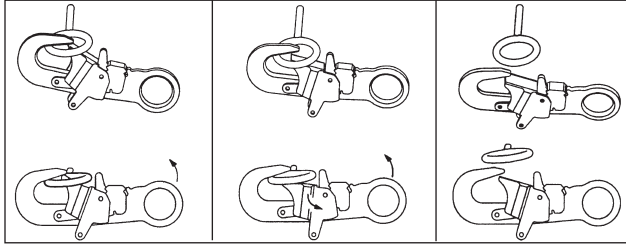


3

4



5

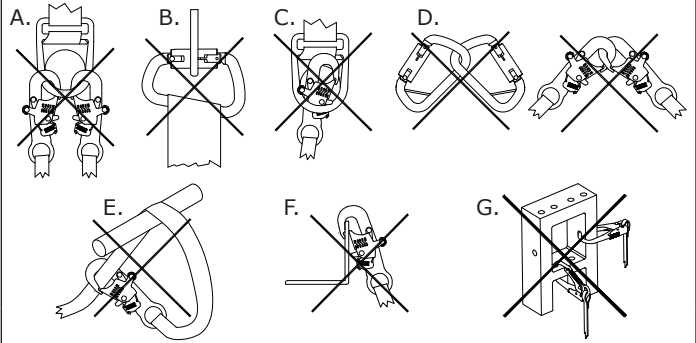


A

B

C

6



A.

B.

C.

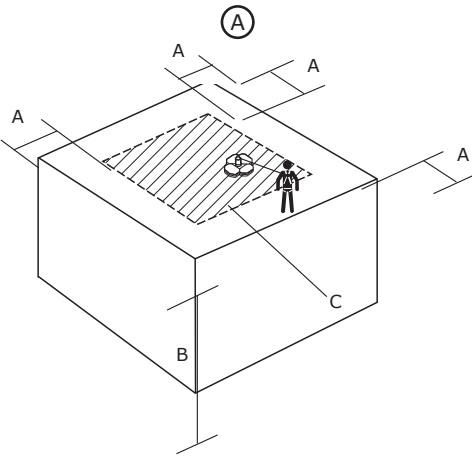
D.

E.

F.

G.

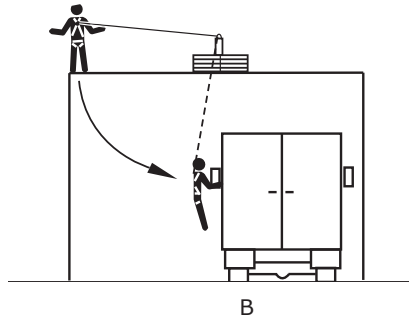
7



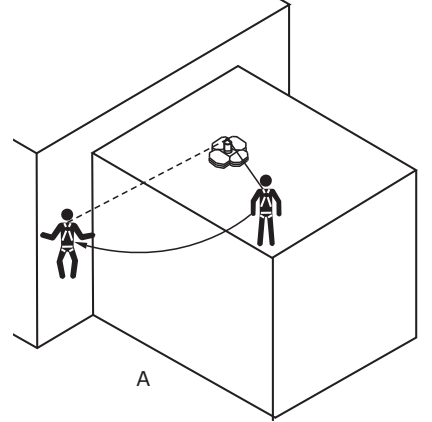
(A)

(B)

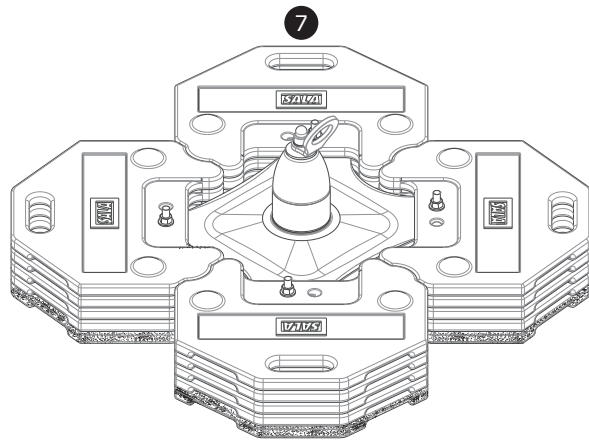
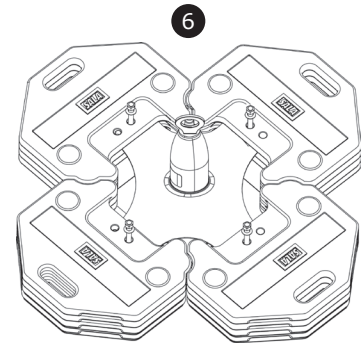
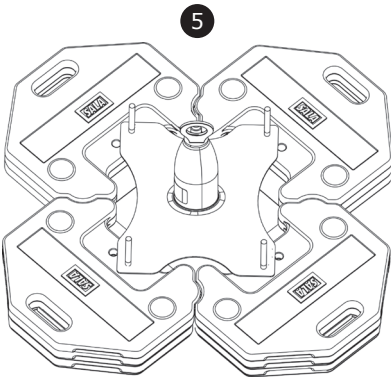
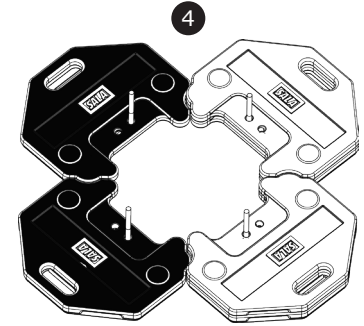
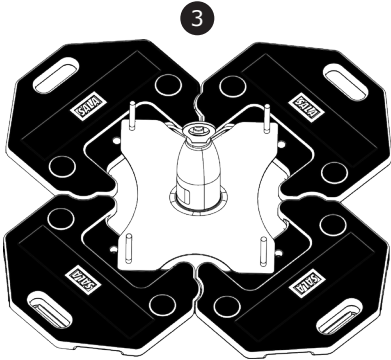
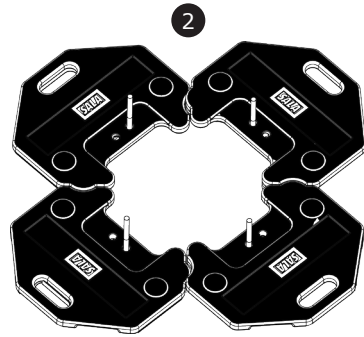
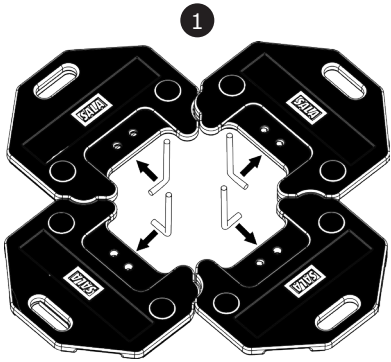
(C)



B



A





3M.com/FallProtection
Red Wing, MN 55066, USA

CE2797 (2)
EN 795:2012
Class E



000093 Rev. C

WARNING **AVERTISSEMENT**
WARNUNG **ADVERTENCIA**

Manufacturer's instructions must be read and understood prior to use. Instructions supplied with this product or item of equipment must be followed for proper use, maintenance, and inspection. Alteration or misuse of this product, or failure to follow instructions may result in serious injury or death. Make only compatible connections. Do not remove this label.

Les instructions du fabricant doivent être lues et comprises avant toute utilisation du dispositif. Les instructions du fabricant fournies lors de l'achat du dispositif doivent être respectées afin de garantir une utilisation, un entretien et une inspection appropriés. Toute modification ou utilisation non conforme de ce produit, ainsi qu'un écart par rapport aux instructions le concernant, peuvent entraîner des blessures graves ou la mort. Réaliser uniquement des raccordements compatibles. Ne pas enlever cette étiquette.

Die Anweisungen des Herstellers müssen vor dem Gebrauch gelesen und verstanden werden. Zur korrekten Anwendung, Wartung und Prüfung muss die Gebrauchsanleitung, die zusammen mit diesem Produkt geliefert wird, beachtet werden. Veränderungen oder unangehöriger Gebrauch dieses Produkts oder die Nichtbeachtung der Anweisungen können zu schweren Verletzungen oder zum Tod führen. Verketten Sie nur kompatible Verbindungselemente. Dieses Etikett nicht entfernen.

SPECIFICATIONS:
Capacity: 1 person, 110 kg (243 lb) max.
Material: Galvanized steel galvanized cast iron and PVC coated cast iron.
Must be installed a min. of 3 ft (0.92 m) from any roof edge, 9 ft (2.74 m) from any vertical structure.
Height: 5.2 m (17 ft) max.

CARACTÉRISTIQUES TECHNIQUES:
Capacité: 1 personne, 110 kg (243 lb) maximum.
Matériau: acier galvanisé, fonte galvanisée et fer de fonte enrobé de PVC.
Doit être installé à une hauteur minimum de 2,9 m (9 pi) de tout bord ou de tout type de bord de toit, locaux, toits, etc.
Distance à la structure verticale: 5,2 m (17 pi) max.

ESPECIFICACIONES:
Capacidad: 1 persona, 110 kg (243 lb) máx.
Materiales: acero galvanizado, hierro fundido galvanizado e hierro fundido recubiertos con PVC.
Se debe instalar a una altura de 2,9 m (9 pies) de cualquier borde de techo, tejado, rampa, etc.
Distancia al muro vertical: 5,2 m (17 pies) máx.

SPEZIFIKATIONEN:
Tragfähigkeit: 1 Person, max. 110 kg (243 lbs).
Materiale: Galvanisierter Stahl, galvanisierter Gussblech und Gusseisen mit PVC beschichtet.
Die Brückhöhe muss mit einem Mindestabstand von 2,9 m (9 ft 2 in) von Dachkante, Gerüst, Latten usw. erfolgen.
Entfernung zur vertikalen Struktur: 5,2 m (17 ft) max.

INSPECTION: Must inspect anchor before each use. At least monthly, anchor should be inspected by a competent person in accordance with the User Manual. Do not use if inspection reveals an unsafe or defective condition. Not user-repairable.

INSPECTION: Inspecter l'ancrage avant chaque utilisation. L'ancrage doit être inspecté par une personne qualifiée au moins une fois par mois conformément au manuel de l'utilisateur. Ne pas utiliser si l'inspection révèle un état dangereux ou défectueux. Non réparables par l'utilisateur.

INSPECCION: Se debe inspeccionar el anclaje antes de cada uso. Al menos una vez al mes una persona competente deberá inspeccionar el anclaje de acuerdo con el manual de usuario. No lo utilice si la inspección revela que no es seguro o está defectuoso. El usuario no puede repararlo.

PRÜFUNG: Der Anker muss vor jedem Gebrauch überprüft werden. Der Anker sollte mindestens einmal im Monat durch eine fachkundige Person gemäß der Bedienungsanleitung überprüft werden. Nicht verwenden, wenn bei der Überprüfung Unregelmäßigkeiten oder Defekte festgestellt wurden. darf nicht vom Anwender repariert werden.

USE: See User Manual for details on making connections. Anchor must be used with an energy absorber. This anchor has been tested and approved for use on concrete, metal-reinforced and asphalt-concrete-chipped profiles. Refer to User Manual for additional information.

UTILISATION: Se reporter au manuel de l'utilisateur pour plus de détails sur le montage des raccordements. L'ancrage doit être utilisé avec un absorbeur d'énergie. L'ancrage a été approuvé pour une utilisation sur du béton, des profils aciers renforcés asphaltés avec du gravier et des plaques. Se reporter au manuel de l'utilisateur pour plus d'informations.

VERWENDUNG: Details zur Kennzeichnung von Verbindungen finden Sie im Benutzerhandbuch. Der Anker muss zusammen mit einem Fallstopp verwendet werden. Der Anker wurde getestet und für den Einsatz auf Beton, sowie geschliffenem Asphalt und Splitt zugelassen. Im Benutzerhandbuch finden Sie weitere Informationen.

MODELE N°: (4)
N° DE MÓDELLO:
MODEL N°:

1	MFRD (YRANO) LOT: MFRD (AAMM) LOT: MFRD (AAMMS) LOT: HERSTELLUNGSDATUM (USE/REPARATI) LOT:	4
---	---	---

SAFETY INFORMATION

Please read, understand, and follow all safety information contained in these instructions prior to the use of this Anchorage Connector. FAILURE TO DO SO COULD RESULT IN SERIOUS INJURY OR DEATH.

These instructions must be provided to the user of this equipment. Retain these instructions for future reference.

Intended Use:

This Anchorage Connector is intended for use as part of a complete personal fall protection system.

Use in any other application including, but not limited to, material handling, recreational or sports related activities, or other activities not described in the User Instructions, is not approved by 3M and could result in serious injury or death.

This device is only to be used by trained users in workplace applications.

WARNING

This Anchorage Connector is part of a personal fall protection system. It is expected that all users be fully trained in the safe installation and operation of their personal fall protection system. **Misuse of this device could result in serious injury or death.** For proper selection, operation, installation, maintenance, and service, refer to these User Instructions and all manufacturer recommendations, see your supervisor, or contact 3M Technical Service.

- **To reduce the risks associated with working with an Anchorage Connector which, if not avoided, could result in serious injury or death:**
 - Inspect the device before each use, at least annually, and after any fall event. Inspect in accordance with the User Instructions.
 - If inspection reveals an unsafe or defective condition, remove the device from service and repair or replace according to the User Instructions.
 - Any device that has been subject to fall arrest or impact force must be immediately removed from service and destroyed.
 - The device must only be installed in the specified substrates or on structures detailed in the User Instructions. Installations and use outside the scope of this instruction must be approved by 3M Fall Protection.
 - The substrate or structure to which the anchorage connector is attached must be able to sustain the static loads specified for the anchor in the orientations permitted in the User Instructions.
 - Only connect other fall protection subsystems to the designated anchorage connection point on the device.
 - Prior to drilling or fastening, ensure no electric lines, gas lines, or other critical embedded systems will be contacted by the drill or the device.
 - Ensure that fall protection systems/subsystems assembled from components made by different manufacturers are compatible and meet the requirements of applicable standards, including the ANSI Z359 or other applicable fall protection codes, standards, or requirements. Always consult a Competent or Qualified Person before using these systems.

- **To reduce the risks associated with working at height which, if not avoided, could result in serious injury or death:**
 - Ensure your health and physical condition allow you to safely withstand all of the forces associated with working at height. Consult with your doctor if you have any questions regarding your ability to use this equipment.
 - Never exceed allowable capacity of your fall protection equipment.
 - Never exceed maximum free fall distance of your fall protection equipment.
 - Do not use any fall protection equipment that fails pre-use or other scheduled inspections, or if you have concerns about the use or suitability of the equipment for your application. Contact 3M Technical Services with any questions.
 - Some subsystem and component combinations may interfere with the operation of this equipment. Only use compatible connections. Consult 3M prior to using this equipment in combination with components or subsystems other than those described in the User Instructions.
 - Use extra precautions when working around moving machinery (e.g. top drive of oil rigs) electrical hazards, extreme temperatures, chemical hazards, explosive or toxic gases, sharp edges, or below overhead materials that could fall onto you or your fall protection equipment.
 - Use Arc Flash or Hot Works devices when working in high heat environments.
 - Avoid surfaces and objects that can damage the user or equipment.
 - Ensure there is adequate fall clearance when working at height.
 - Never modify or alter your fall protection equipment. Only 3M or parties authorized in writing by 3M may make repairs to the equipment.
 - Prior to use of fall protection equipment, ensure a rescue plan is in place which allows for prompt rescue if a fall incident occurs.
 - If a fall incident occurs, immediately seek medical attention for the worker who has fallen.
 - Do not use a body belt for fall arrest applications. Use only a Full Body Harness.
 - Minimize swing falls by working as directly below the anchorage point as possible.
 - If training with this device, a secondary fall protection system must be utilized in a manner that does not expose the trainee to an unintended fall hazard.
 - Always wear appropriate personal protective equipment when installing, using, or inspecting the device/system.

Prior to installation and use of this equipment, record the product identification information from the ID label in the Inspection and Maintenance Log (Table 2) at the back of this manual.

PRODUCT DESCRIPTION:

Figure 1 illustrates the 3M™ DBI-SALA™ Roof Top Counterweight Anchor. The Roof Top Counterweight Anchor is a single point anchorage connector for a personal fall arrest system designed to be installed on a flat surface.

Figure 2 illustrates components of the Roof Top Counterweight Anchor. See Table 1 for Component Specifications. The Roof Top Counterweight Anchor is comprised of a Main Support Anchor (A) and Attach Point (B) bolted to the Counterweight Plates (E) and the Rubber Coated Base Weights (F) with L-Bolts (C) and Nuts and Washers (D). The Fall Arrest subsystem connects to the Attach Point (B) on the Main Support Anchor.

Table 1 – Specifications

System Specifications:	
Capacity:	1 Person with a combined weight (clothing, tools, etc.) of no more than 310 lbs (140 kg).
Anchorage:	<p>Fall Arrest: The structure to which the Anchorage Connector is installed on must sustain static loads applied in the directions permitted by the Fall Arrest System of at least: 3,600 lbs (16 kN).</p> <p>The Roof Top Counterweight Anchor must not be used in adverse weather conditions. The roof surface must be free of frost, snow, standing water, grease or oil, or any other type of lubricating or friction reducing materials.</p> <div style="border: 1px solid black; padding: 5px; margin: 5px 0;"> <input checked="" type="checkbox"/> The Roof Top Counterweight Anchor System is approved for use on the following types of roofs: concrete, bitumen, and asphalt sanded. </div> <p>Restraint: The roof must be able to support a static load of 415 kg.</p>
Dimensions:	See Figure 1 for the dimensions of the Roof Top Counterweight Anchor model.
Product Weight:	See Figure 1 for the weight of the Roof Top Counterweight Anchor model.
Standards:	Tested in accordance with EN 795:2012

Component Specifications:			
Figure 2 Reference	Component	Materials	Note:
(A)	Labels	Polyester	
(B)	Attach Point	Steel	
(C)	L-Bolts	Steel	
(D)	Nuts and Washers	Steel	
(E)	Counterweight Plates	Gray Iron	
(F)	Rubber Coated Base Weights	Gray Iron and Plastisol	

1.0 PRODUCT APPLICATION

- 1.1 PURPOSE:** Anchorage Connectors are designed to provide anchorage connection points for Fall Arrest¹ or Fall Restraint² systems: Restraint, Work Positioning, Personnel Riding, Rescue, etc.

Fall Protection Only: This Anchorage Connector is for connection of Fall Protection Equipment. Do not connect Lifting Equipment to this Anchorage Connector.

- 1.2 STANDARDS:** Your Anchorage Connector conforms to the national or regional standard(s) identified on the front cover of these instructions. If this product is resold outside the original country of destination, the re-seller must provide these instructions in the language of the country in which the product will be used.
- 1.3 SUPERVISION:** Use of this equipment must be supervised by a Competent Person³.
- 1.4 TRAINING:** This equipment must be installed and used by persons trained in its correct application. This manual is to be used as part of an employee training program as required by CE. It is the responsibility of the users and installers of this equipment to ensure they are familiar with these instructions, trained in the correct care and use of this equipment, and are aware of the operating characteristics, application limitations, and consequences of improper use of this equipment.
- 1.5 RESCUE PLAN:** When using this equipment and connecting subsystem(s), the employer must have a rescue plan and the means at hand to implement and communicate that plan to users, authorized persons⁴, and rescuers⁵. A trained, on-site rescue team is recommended. Team members should be provided with the equipment and techniques to perform a successful rescue. Training should be provided on a periodic basis to ensure rescuer proficiency.
- 1.6 INSPECTION FREQUENCY:** The Anchorage Connector shall be inspected by the user before each use and, additionally, by a competent person other than the user at intervals of no longer than one year.⁶ Inspection procedures are described in the "Inspection and Maintenance Log". Results of each Competent Person inspection should be recorded on copies of the "Inspection and Maintenance Log".
- 1.7 AFTER A FALL:** If the Anchorage Connector is subjected to the forces of arresting a fall, it must be removed from service immediately, clearly marked "DO NOT USE", and then destroyed.

2.0 SYSTEM REQUIREMENTS

- 2.1 ANCHORAGE:** Anchorage requirements vary with the fall protection application. Structure on which the Anchorage Connector is placed or mounted must meet the Anchorage specifications defined in Table 1.
- 2.2 PERSONAL FALL ARREST SYSTEM:** Figure 1 illustrates the application of this Anchorage Connector. Personal Fall Arrest Systems (PFAS) used with the system must meet applicable Fall Protection standards, codes, and requirements. The PFAS must incorporate a Full Body Harness, and limit Arresting Force to the following values:

	Maximum Arresting Force	Free Fall
PFAS with Shock Absorbing Lanyard	6 kN (1,350 lb)	Refer to the instruction(s) included with your Lanyard or SRD for Free Fall limitations.
PFAS with Self Retracting Device (SRD)	6 kN (1,350 lb)	

- 2.3 FALL PATH AND SRD LOCKING SPEED:** A clear path is required to assure positive locking of an SRD. Situations which do not allow for an unobstructed fall path should be avoided. Working in confined or cramped spaces may not allow the body to reach sufficient speed to cause the SRD to lock if a fall occurs. Working on slowly shifting material, such as sand or grain, may not allow enough speed buildup to cause the SRD to lock.
- 2.4 HAZARDS:** Use of this equipment in areas with environmental hazards may require additional precautions to prevent injury to the user or damage to the equipment. Hazards may include, but are not limited to: heat, chemicals, corrosive environments, high voltage power lines, explosive or toxic gases, moving machinery, sharp edges, or overhead materials that may fall and contact the user or Personal Fall Arrest System.
- 2.5 FALL CLEARANCE:** Figure 3 illustrates the components of a Fall Arrest. There must be sufficient Fall Clearance (FC) to arrest a fall before the user strikes the ground or other obstruction. Clearance is affected by a number of factors including: Anchorage Location, (A) Lanyard Length, (B) Lanyard Deceleration Distance or SRD Maximum Arrest Distance, (C) Harness Stretch and D-Ring/Connector Length and Settling. Refer to the instructions included with your Fall Arrest subsystem for specifics regarding Fall Clearance calculation.
- 2.6 SWING FALLS:** Swing Falls occur when the anchorage point is not directly above the point where a fall occurs (see Figure 4). The force of striking an object in a swing fall may cause serious injury or death. Minimize swing falls by working as directly below the anchorage point as possible. Do not permit a swing fall if injury could occur. Swing falls will significantly increase the clearance required when a Self-Retracting Device or other variable length connecting subsystem is used.

1 Fall Arrest System: A collection of Fall Protection Equipment configured to arrest a free fall.

2 Fall Restraint System: A collection of Fall Protection Equipment configured to prevent the person's center of gravity from reaching a fall hazard.

2.7 COMPONENT COMPATIBILITY: 3M equipment is designed for use with 3M approved components and subsystems only. Substitutions or replacements made with non-approved components or subsystems may jeopardize compatibility of equipment and may affect the safety and reliability of the complete system.

2.8 CONNECTOR COMPATIBILITY: Connectors are considered to be compatible with connecting elements when they have been designed to work together in such a way that their sizes and shapes do not cause their gate mechanisms to inadvertently open regardless of how they become oriented. Contact 3M if you have any questions about compatibility. Connectors must comply with EN 362. Connectors must be compatible with the anchorage or other system components. Do not use equipment that is not compatible. Non-compatible connectors may unintentionally disengage (see Figure 5). Connectors must be compatible in size, shape, and strength. If the connecting element to which a snap hook or carabiner attaches is undersized or irregular in shape, a situation could occur where the connecting element applies a force to the gate of the snap hook or carabiner (A). This force may cause the gate to open (B), allowing the snap hook or carabiner to disengage from the connecting point (C).

2.9 MAKING CONNECTIONS: Snap hooks and carabiners used with this equipment must be self-locking. Ensure all connections are compatible in size, shape and strength. Do not use equipment that is not compatible. Ensure all connectors are fully closed and locked.

3M connectors (snap hooks and carabiners) are designed to be used only as specified in each product's user's instructions. See Figure 6 for examples of inappropriate connections. Do not connect snap hooks and carabiners:

- A. To a D-ring to which another connector is attached.
- B. In a manner that would result in a load on the gate. Large throat snap hooks should not be connected to standard size D-rings or similar objects which will result in a load on the gate if the hook or D-ring twists or rotates, unless the snap hook complies is equipped with a 3,600 lb (16 kN) gate. Check the marking on your snap hook to verify that it is appropriate for your application.
- C. In a false engagement, where features that protrude from the snap hook or carabiner catch on the anchor, and without visual confirmation seems to be fully engaged to the anchor point.
- D. To each other.
- E. Directly to webbing or rope lanyard or tie-back (unless the manufacturer's instructions for both the lanyard and connector specifically allows such a connection).
- F. To any object which is shaped or dimensioned such that the snap hook or carabiner will not close and lock, or that roll-out could occur.
- G. In a manner that does not allow the connector to align properly while under load.

3.0 INSTALLATION

Installation of the DBI-SALA Roof Top Counterweight Anchor must be supervised by a Qualified Person¹. The installation must be certified by a Competent Person² as meeting the criteria for a Certified Anchorage, or that it is capable of supporting the potential forces that could be encountered during a fall.

3.1 PLANNING: Plan your fall protection system prior to installation of the Roof Top Counterweight Anchor. Account for all factors that may affect your safety before, during and after a fall. Consider all requirements, limitations and specifications defined in Section 2 and Table 1.

Determine the proper location of the Roof Top Counterweight Anchor. It must be flat and at least 8 ft (2.5 m) away from the edge of the structure, or any openings such as skylights, and as close as possible to the work area (Figure 7A).

3.2 INSTALLING THE ROOF TOP COUNTERWEIGHT ANCHOR: The Roof Top Counterweight Anchor can be installed on any roof meeting the anchorage requirements specified in Table 1. Sweep the installation location to remove loose materials. To install the Roof Top Counterweight Anchor, (Figure 7):

1. Lay out four Rubber Coated Base Weights on the flat surface. L-Bolts will be inserted through one of the two holes in each of the base weights.
2. Lift each base weight and, from the bottom of the weight, insert an L-Bolt through one of the two holes in each weight. Alternate the direction of each L-bolt.
3. Temporarily position the Roof Top Anchor on the base weights and L-Bolts to confirm that the L-Bolts are oriented correctly in the base weights.
4. Remove the Roof Top Anchor. Stack three additional weights on each base weight with the L-Bolts protruding through the matching holes in each weight.
5. Position the Roof Top Anchor on the L-bolts and weights. Make sure each L-Bolt passes through one of the mounting holes in the Roof Top Anchor base plate.
6. Add each layer of weights. A total of 20 weights are used in the Roof Top Counterweight Anchor. Each of the four weight stacks will contain five weights (base weight plus four additional weights in each stack). Install a washer and nut on each of the L-Bolts. Hand tighten all four nuts snugly.

4.0 USE

4.1 BEFORE EACH USE: Verify that your work area and Personal Fall Arrest System (PFAS) meet all criteria defined in Section 2 and a formal Rescue Plan is in place. Inspect the Roof Top Counterweight Anchor per the 'User' inspection points defined on the "Inspection and Maintenance Log" (Table 2). If inspection reveals an unsafe or defective condition, do not use the system. Remove the system from service and destroy, or contact 3M regarding replacement or repair.

4.2 FALL ARREST CONNECTIONS: The Roof Top Counterweight Anchor is used with a Full Body Harness and Energy Absorbing Lanyard or Self-Retracting Device (SRD). Connect the Lanyard or SRD between the D-Ring on the Roof Top Counterweight Anchor and the back Dorsal D-Ring on the Harness as instructed in the instructions included with the Lanyard or SRD.

IMPORTANT: *If the Roof Top Counterweight Anchor is subjected to the forces of arresting a fall, it must be removed from the field of service immediately and replaced or inspected by an Authorized Capital Safety Representative.*

5.0 INSPECTION

5.1 INSPECTION FREQUENCY: The Roof Top Counterweight Anchor must be inspected at the intervals defined in Section 1. Inspection procedures are described in the "Inspection and Maintenance Log" (Table 2). Inspect all other components of the Fall Protection System per the frequencies and procedures defined in the manufacturer's instructions.

5.2 DEFECTS: If inspection reveals an unsafe or defective condition, remove the Roof Top Counterweight Anchor from service immediately and contact 3M regarding replacement or repair. Do not attempt to repair the Fall Arrest System.

Authorized Repairs Only: *Only 3M or parties authorized in writing may make repairs to this equipment.*

5.3 PRODUCT LIFE: The functional life of the Fall Arrest System is determined by work conditions and maintenance. As long as the product passes inspection criteria, it may remain in service.

6.0 MAINTENANCE, SERVICING, STORAGE

6.1 CLEANING: Periodically clean the Roof Top Counterweight Anchor metal components with a soft brush, warm water, and a mild soap solution. Ensure parts are thoroughly rinsed with clean water.

6.2 SERVICE: Only 3M or parties authorized in writing by 3M may make repairs to this equipment. If the Roof Top Counterweight Anchor has been subject to fall force or inspection reveals an unsafe or defective conditions, remove the system from service and contact 3M regarding replacement or repair.

6.3 STORAGE AND TRANSPORT: When not in use, store and transport the Roof Top Counterweight Anchor and associated

fall protection equipment in a cool, dry, clean environment out of direct sunlight. Avoid areas where chemical vapors may exist. Thoroughly inspect components after extended storage.

7.0 LABELS

Figure 9 illustrates labels on the Roof Top Counterweight Anchor. Labels must be replaced if they are not fully legible. Information provided on each label is as follows:

Ⓐ	Read all instructions. 1) Year and Month Manufactured / Lot Number 2) Notified Body ID 3) Safety Standard 4) Product Model Number
---	--

Læs alle sikkerhedsoplysninger i denne brugsanvisning, og sørg for, at du forstår og følger disse, før du bruger denne forankringskonnektor. **UNDLADELSE HERAF KAN MEDFØRE ALVORLIG PERSONSKADE ELLER DØDSFALD.**

Disse anvisninger skal udleveres til brugeren af udstyret. Opbevar denne vejledning til senere brug.

Anvendelsesformål:

Denne forankringskonnektor er beregnet til brug som en del af et komplet personligt faldsikringssystem.

Enhver anden brug end denne, herunder, men ikke begrænset til, materialehåndtering, rekreative eller sportslige aktiviteter eller andre aktiviteter, der ikke er beskrevet i brugervejledningen, er ikke godkendt af 3M og kan medføre alvorlig skade eller død.

Denne anordning må kun benyttes af uddannede brugere til anvendelse på arbejdspladsen.

ADVARSEL

Denne forankringskonnektor er en del af et personligt faldsikringssystem. Det forventes, at alle brugere er fuldt uddannet i sikker installation og drift af deres personlige faldsikringssystem. **Misbrug af denne anordning kan medføre alvorlig skade eller død.** Læs og følg denne brugervejledning samt alle producentens anbefalinger, tal med din vejleder eller kontakt 3M's tekniske service vedrørende korrekt valg, drift, installation, vedligeholdelse og servicering.

- **For at reducere risiciene ved at arbejde med en forankringskonnektor, som, hvis de ikke undgås, kan medføre alvorlig skade eller død, skal du:**
 - Efterse anordningen før hver brug, mindst én gang om året og efter et eventuelt fald. Efterse systemet i overensstemmelse med brugervejledningen.
 - Hvis eftersynet afslører usikre eller defekte tilstande, skal udstyret tages ud af drift og repareres eller udskiftes i overensstemmelse med brugervejledningen.
 - Enhver anordning, som har været udsat for faldstandsning eller kraftpåvirkninger, skal straks tages ud af brug og destrueres.
 - Anordningen må kun monteres på de anviste substrater eller på strukturer oplyst i brugervejledningen. Installationer og anvendelse ud over denne instruktion skal godkendes skriftligt af 3M Fall Protection.
 - Underlaget eller strukturen, hvortil forankringsforbindelsen fastgøres, skal kunne klare de statiske belastninger, der er specificeret for forankringen i de i brugervejledningen tilladte retninger.
 - Man må kun tilslutte andre faldsikringsundersystemer til det angivne forankringsforbindelsepunkt på anordningen.
 - Forud for boring eller fastgørelse skal det sikres, at ingen elledninger, gasledninger eller andre kritiske indkapslede systemer kommer i kontakt med boret eller anordningen.
 - Sørg for, at faldsikringssystemer/-undersystemer, der er samlet fra komponenter, der er fremstillet af forskellige fabrikanter, er kompatible og opfylder kravene i relevante standarder, inklusive ANSI Z359 eller andre gældende regulativer, standarder for eller krav til faldbekyttelse. Opsøg altid en kompetent eller kvalificeret person, før du anvender disse systemer.
- **For at reducere risici i forbindelse med højdearbejde, som, hvis de ikke undgås, kan medføre alvorlig skade eller død:**
 - Sørg for, at dit helbred og din kondition gør dig i stand til sikkert at kunne modstå alle de kræfter, der er forbundet med højdearbejde. Rådfør dig med din læge, hvis du har spørgsmål vedrørende din evne til at bruge dette udstyr.
 - Overstig aldrig den tilladte kapacitet for dit faldsikringsudstyr.
 - Overstig aldrig den maksimale faldafstand fra dit faldsikringsudstyr.
 - Brug ikke faldsikringsudstyr, som ikke virker ved forudgående brug eller planlagte inspektioner, eller hvis du er bekymret for udstyrets brug eller egnethed til det tilsigtede formål. Kontakt 3M's tekniske service med eventuelle spørgsmål.
 - Kombinationer med visse delsystemer og komponenter kan forstyrre driften af dette udstyr. Brug kun kompatible forbindelser. Rådfør dig med 3M, før du bruger dette udstyr sammen med andre komponenter eller delsystemer end dem, der er beskrevet i brugervejledningen.
 - Vær særligt forsigtig, når du arbejder i nærheden af maskiner, som bevæger sig (f.eks. øverste drev på olieplatforme), elektrisk kortslutning, ekstreme temperaturer, kemiske farer, eksplosive eller giftige gasser, skarpe kanter eller under overliggende materialer, som kan falde ned på dig eller dit faldsikringsudstyr.
 - Brug Arc Flash eller Hot Works (dvs. passende beskyttelses)-anordninger, når du arbejder i miljøer med ekstrem varme.
 - Undgå overflader og genstande, som kan beskadige brugeren eller udstyret.
 - Sørg for tilstrækkelig faldafstand ved højdearbejde.
 - Faldsikringsudstyret må aldrig modificeres eller ændres. Kun 3M eller parter, som 3M skriftligt har bemyndiget, må foretage reparationer på udstyret.
 - Før brug af faldsikringsudstyret skal du sørge for at have en redningsplan, som muliggør hurtig redning i tilfælde af fald.
 - Hvis der sker et fald, søges straks lægehjælp for den faldne arbejdstager.
 - Brug ikke et kropsbælte til anvendelser, der involverer faldsikring. Må kun benyttes med komplet kropssele.
 - Svingfald kan minimeres ved så vidt muligt at arbejde lige under forankringspunktet.
 - Hvis der øves med denne anordning, skal der benyttes sekundært faldbeskyttelsesudstyr på en sådan måde, at lærlingen ikke udsættes for utilsigtet faldrisiko.
 - Brug altid passende personlige værnemidler under installation, brug eller inspektion af enheden/systemet.

Inden udstyret monteres og tages i brug, skal produktidentifikationsoplysningerne fra ID-mærkaten noteres i inspektions- og vedligeholdelsesloggen (tabel 2) på bagsiden af denne manual.

PRODUKTBESKRIVELSE:

Figur 1 viser mærkaterne på 3M™ DBI-SALA™ tagryg-kontravægtankeret. Tagryg-kontravægtankeret er en enkeltpunkts forankringskonnektor til et personligt faldsikringssystem, der er designet til at blive installeret på en flad overflade.

Figur 2 viser komponenterne på tagryg-kontravægtankeret. Se tabel 1 – Komponentspecifikationer. Tagryg-kontravægtankeret består af et støttende hovedanker (A) og fastgøringspunkt (B), som er boltet til kontravægtpladerne (E) og gummibelagte basevægte (F) med L-bolte (C) samt møtrikker og spændeskiver (D). Faldsikringsundersystemet forbinder fastgøringspunktet (B) til det overordnede hovedanker.

Tabel 1 – Specifikationer

Systemspecifikationer:	
Kapacitet:	1 person med en samlet vægt (tøj, værktøj mv.) på højst 140 kg (310 pund).
Forankring:	<p>Faldsikring: Den konstruktion, som forankringskonnektoren er installeret på, skal kunne bære statiske belastninger påført i de retninger, som faldsikringssystemet tillader, på mindst: 16 kN (3.600 lbs).</p> <p>Tagryg-kontravægtankeret må ikke bruges under dårlige vejrforhold. Tagoverfladen skal være fri for frost, sne, stående vand, fedtstof eller olie eller nogen anden form for smørende middel eller materialer, der reducerer friktion.</p> <div style="border: 1px solid black; padding: 5px; margin: 5px 0;"> <input checked="" type="checkbox"/> Tagryg-kontravægtankersystemet er godkendt til brug på de følgende typer tag: Beton, bitumen og tjæresand. </div> <p>Fastspænding: Taget skal kunne understøtte en statisk belastning på 415 kg.</p>
Dimensioner:	Se figur 1 for dimensionerne af tagryg-kontravægtankermodellen.
Produktvægt:	Se figur 1 for vægten af tagryg-kontravægtankermodellen.
Standarder:	Testet i overensstemmelse med EN 795:2012

Komponentspecifikationer:			
Figur 2 Reference	Komponent	Materialer	Bemærk:
Ⓐ	Mærkater	Polyester	
Ⓑ	Fastgøringspunkt	Stål	
Ⓒ	L-bolte	Stål	
Ⓓ	Møtrikker og spændeskiver	Stål	
Ⓔ	Kontravægtplader	Støbejern	
Ⓕ	Gummibelagte basevægte	Støbejern og plastisol	

1.0 PRODUKTANVENDELSE

- 1.1 FORMÅL:** Forankringskonnektorer er designet til at tilvejebringe forankringspunkter til faldsikringsystemer¹ eller fastholdelsessystemer²: Fastspænding, arbejdspositionering, personhejsning, redning osv.

Kun faldsikring: Denne forankringskonnektor er til tilslutning af faldsikringsudstyr. Brug ikke løfteudstyr til denne forankringskonnektor.

- 1.2 STANDARDER:** Din forankringskonnektor lever op til de nationale eller regionale standarder, der er angivet på forsiden af denne brugsanvisning. Hvis dette produkt videresælges uden for det oprindelige modtagerland, skal den person, der videresælger, sørge for vejledning i brug, vedligeholdelse, regelmæssig inspektion og reparation på sproget i det land, hvor produktet skal bruges.
- 1.3 OPSYN:** Brugen af dette udstyr skal foregå under opsyn af en kompetent person³.
- 1.4 UDDANNELSE:** Dette udstyr skal monteres og anvendes af personer, der har gennemgået træning i korrekt anvendelse af udstyret. Denne manual bør anvendes som en del af et medarbejdertræningsprogram som påkrævet af CE. Installatørerne og brugerne af dette udstyr har ansvaret for at sikre, at de er bekendte med denne vejledning, er trænet i rigtig vedligeholdelse og anvendelse af udstyret samt er bekendte med anvendelseskarakteristika, anvendelsesbegrænsninger og konsekvenserne af forkert anvendelse af udstyret.
- 1.5 REDNINGSPLAN:** Når dette udstyr og tilsluttede delsystemer anvendes, skal arbejdsgiveren have en redningsplan og midlerne til at implementere den til rådighed, og denne skal kommunikere planen til brugere, autoriserede personer⁴ og reddere⁵. Det anbefales at have et redningshold på stedet. Reddere skal forsynes med udstyr og teknikker til gennemførelse af en vellykket redning. Træning skal gennemføres med jævne mellemrum for at sikre, at redderne har de fornødne færdigheder.
- 1.6 INSPEKTIONSHYPPIGHED:** Forankringskonnektoren skal inspiceres af brugeren før hver brug samt af en anden kvalificeret person forskellig fra brugeren mindst en gang om året.⁶ Inspektionsprocedurer er beskrevet i "Inspektions- og vedligeholdelsesloggen". Resultaterne af hver inspektion foretaget af den kvalificerede person skal noteres i kopier af "Inspektions- og vedligeholdelsesloggen".
- 1.7 EFTER ET FALD:** Hvis forankringskonnektoren har været udsat for faldstandsning eller kraftpåvirkninger, skal den straks tages ud af brug, mærkes "MÅ IKKE BRUGES" og så destrueres.

2.0 SYSTEMKRAV

- 2.1 FORANKRING:** Kravene til forankring varierer alt efter faldsikringsanvendelsen. Strukturen, på hvilken forankringskonnektoren placeres eller monteres, skal opfylde forankrings-specifikationerne, der er defineret i tabel 1.
- 2.2 PERSONLIGT FALDSIKRINGSSYSTEM:** Figur 1 viser anvendelsen af forankringskonnektoren. Personlige faldsikrings-systemer (PFAS), der bruges med systemet, skal overholde gældende faldsikringsstandarder, regler og krav. PFAS'en skal have helkropssele og begrænse standsekraft til følgende værdier:

	Maksimal standsekraft	Frit fald
PFAS med stødabsorberende sikkerhedsline	6 kN (1.350 lb)	Se vejledningen, som fulgte med dit taljereb eller SRD for begrænsninger for frit fald.
PFAS med selvoprullende enhed (SRD)	6 kN (1.350 lb)	

- 2.3 FALDVEJ OG SRD-LÅSEHASTIGHED:** Der kræves uhindret faldlinje for at sikre låsning af en SRD. Situationer, som ikke muliggør en uhindret faldvej, bør undgås. Arbejde i snævre eller trange områder vil muligvis ikke lade kroppen nå en tilstrækkelig hastighed til, at SRD'en låser i tilfælde af et fald. Arbejde på langsomt rykkende materialer såsom sand eller korn giver muligvis ikke tilstrækkelig hastighed til, at SRD'en låser.
- 2.4 FARE:** Brug af dette udstyr i områder med miljøfarer kan kræve yderligere sikkerhedsforanstaltninger for at undgå personskade eller beskadigelse af udstyret. Faremomenter kan eksempelvis omfatte: varme, kemikalier, korrosive miljøer, højspændingsledninger, eksplosive eller giftige gasser, kørende maskineri, skarpe kanter eller overliggende materialer, som kan falde ned og ramme brugeren eller faldsikrings-systemet.
- 2.5 FALDAFSTAND:** Figur 3 illustrerer komponenterne i faldstandsning. Der skal være tilstrækkelig faldafstand under brugeren til, at et evt. fald standses, før brugeren rammer jorden eller nogen anden forhindring. Faldafstand påvirkes af en række faktorer, herunder: Forankringsplacering, (A) taljerebets længde, (B) taljerebets bremseafstand eller SRD maksimal standsningsafstand, (C) selens strækevne og længde og sætning af D-Ringen/konnektoren. Se vejledningen, som fulgte med dit faldsikringsdelsystem for specifikke oplysninger om beregning af faldafstand.

2.6 SVINGFALD: Svingfald sker, når forankringspunktet ikke befinder sig umiddelbart over punktet, hvor faldet sker (se Figur 4). Den kraft der udøves, når et emne rammes i et svingfald, kan forårsage alvorlig personskade eller død. Svingfald kan minimeres ved så vidt muligt at arbejde lige under forankringspunktet. Tillad ikke muligheden for svingfald, hvis det kan medføre personskade. Sving vil øge det frirum, der er nødvendigt, når der anvendes en selvoprullende anordning eller et andet forbundet delsystem med liner af variabel længde.

2.7 KOMPONENTKOMPATIBILITET: 3M-udstyr er kun beregnet til brug med 3M-godkendte komponenter og delsystemer. Erstatninger eller udskiftninger med ikke-godkendte komponenter eller delsystemer kan bringe udstyrets kompatibilitet i fare og kan påvirke det komplette systems sikkerhed og pålidelighed.

2.8 KONNEKTORERKOMPATIBILITET: Konnektorer betragtes som kompatible med forbindelsesanordninger, når de er konstrueret til at fungere sammen på en sådan måde, at størrelserne og formerne ikke får deres ledmekanismer til utilsigtet at åbne sig, uanset hvordan de bliver vendt. Kontakt 3M, hvis du har spørgsmål vedrørende kompatibilitet. Konnektorer skal være i overensstemmelse med EN 362. Konnektorer skal være kompatible med forankringen og andre systemkomponenter. Anvend ikke udstyr, der ikke er kompatibelt. Ikke kompatible konnektorer kan blive adskilt ved et uheld (se figur 5). Konnektorer skal være kompatible med hensyn til størrelse, form og styrke. Hvis tilslutningselementet, som en snapkrog eller karabinhage er fastgjort til, er for lille eller har en uregelmæssig form, kan der opstå en situation, hvor tilslutningselementet belaster snapkrogens eller karabinhagens led (A). Denne belastning kan medføre, at leddet åbnes (B), således at snapkrogen eller karabinhagen løsriver fra forbindelsespunktet (C).

2.9 FORBINDELSER: Snapkroge og karabinhager anvendt med dette udstyr skal være selvlåsende. Sørg for, at alle forbindelser er kompatible i størrelse, form og styrke. Anvend ikke udstyr, der ikke er kompatibelt. Sørg for, at alle konnektorer er helt lukkede og låste.

3M-konnektorer (snapkroge og karabinhager) er udelukkende konstrueret til brug som specificeret i hvert produkts brugsanvisning. Se figur 6 for eksempler på forkerte sammenslutninger. Tilslut ikke snapkroge og karabinhager:

- A. Til en D-ring, som en anden konnektor er fastgjort til.
- B. På en måde, som vil medføre belastning på leddet. Store snapkroge med halsåbning bør ikke forbindes til en D-ring i standardstørrelse eller til lignende genstande, der vil medføre en belastning på leddet, hvis krogen eller D-ringen vrides eller drejes, medmindre snapkrogen er udrustet med en 16 kN-port (3.600 lb). Kontrollér mærkatet på din snapkrog for at bekræfte, at den er egnet til din anvendelse.
- C. På en forkert måde, hvor dele, som stikker ud fra snapkrogen eller karabinhagen, griber fat i forankringen, og uden visuel bekræftelse synes at være korrekt fastgjort til forankringspunktet.
- D. Til hinanden.
- E. Direkte til selen, taljerebet eller forankringslinen (medmindre producentens vejledning for både taljereb og konnektor specifikt tillader en sådan tilslutning).
- F. Til en genstand med en form eller størrelse, som gør, at snapkrogen eller karabinhagen ikke vil lukke og låse, eller som kan få linen til at rulle sig ud.
- G. På en måde, som forhindrer konnektoren i at flugte korrekt under belastning.

3.0 INSTALLATION

Installationen af DBI-SALA tagryg-kontravægtankeret skal superviseres af en kvalificeret person¹. Monteringen skal certificeres af en kvalificeret person², der opfylder kriterierne med hensyn til certificeret forankring, eller være i stand til at understøtte de potentielle belastninger, der kan opstå under et fald.

- 3.1 PLANLÆGNING:** Planlæg dit faldsikringssystem før monteringen af tagryg-kontravægtankeret. Tag højde for alle faktorer, der kan påvirke din sikkerhed inden, under og efter et fald. Overvej alle krav, begrænsninger og specifikationer, der er angivet i afsnit 2 og tabel 1. Bestem den korrekte placering af tagryg-kontravægtankeret. Stedet skal være fladt, og mindst 2,5 m (8 fod) fra kanten af konstruktionen eller alle åbninger såsom tagvinduer og så tæt som muligt på arbejdsområdet (figur 7A).
- 3.2 INSTALLERING AF TAGRYG-KONTRAVÆGTANKERET:** Tagryg-kontravægtankeret kan monteres på ethvert tag, som opfylder forankringskravene specificeret i tabel 1. Fjern installationsstedet for at fjerne løst materiale. Installering af tagryg-kontravægtanker (figur 7):
1. Læg fire gummibelagte basevægte ud på den flade overflade. L-bolte skal indsættes gennem et af de to huller i hver af basens vægte.
 2. Løft hver basevægt og indsæt en L-bolt fra bunden af vægten gennem et af de to huller i hver vægt. Skift retning for hver L-bolt.
 3. Placer tagrygankeret midlertidigt på basevægtene og L-boltene for at sikre, at L-boltene er vendt korrekt i basevægtene.
 4. Fjern tagrygankeret. Stabl yderligere tre vægte på hver basevægt med L-boltene stikkende ud af de tilsvarende huller på hver vægt.
 5. Placer tagrygankeret på L-boltene og vægtene. Sørg for, at hver L-bolt går gennem et af monteringshullerne i tagrygankerets baseplade.
 6. Tilføj endnu et lag af vægte. Der anvendes i alt 20 vægte til tagryg-kontravægtankeret. Hver af de fire vægstakke vil indeholde fem vægte (basevægt plus yderligere fire vægte i hver stak). Monter en spændeskive og en møtrik på hver af L-boltene. Stram alle fire møtrikker til med hænderne.

4.0 BRUG

- 4.1 FØR HVER BRUG:** Verificér at dit arbejdsområde og dit personlige faldsikringssystem (PFAS) overholder alle kriterier i afsnit 2, og at der forefindes en formaliseret nødplan. Efterse tagryg-kontravægtankeret i henhold til "Bruger"-inspektionspunkterne beskrevet i "Inspektions- og vedligeholdelseslog" (tabel 2). Brug ikke systemet, hvis inspektionen afslører en usikker eller defekt tilstand. Tag systemet ud af brug og destruer det, eller kontakt 3M med henblik på udskiftning eller reparation.
- 4.2 FALDSIKRINGSFORBINDELSER:** Tagryg-kontravægtankeret bruges med en helkropssele og et energiabsorberende taljereb eller en selvopruhlende enhed (SRD). Fastgør taljerebet eller SRD'en mellem D-ringen på tagryg-kontravægtankeret og den bageste D-ring på ryggen af selen, som anført i brugsanvisningen, der fulgte med taljerebet eller SRD'en.

VIKTIGT: *Hvis tagryg-kontravægtankeret bliver udsat for et fald, må det ikke benyttes men skal udskiftes omgående af en bemyndiget 3M Fall Protection-repræsentant.*

5.0 INSPEKTION

- 5.1 INSPEKTIONSHYPPIGHED:** Tagryg-kontravægtankeret skal efterses med de intervaller, der er anført i afsnit 1. Inspektionsprocedurer er beskrevet i "Inspektions- og vedligeholdelseslog" (tabel 2). Inspicer alle andre komponenter i faldsikringssystemet med den hyppighed og efter de procedurer, som er defineret i producentens vejledning.
- 5.2 DEFEKTER:** Hvis en inspektion afslører usikre eller fejlbehæftede tilstande, skal tagryg-kontravægtankeret omgående tages ud af drift, og 3M skal kontaktes med henblik på udskiftning eller reparation. Prøv ikke på at reparere faldsikringssystemet.

Der må kun udføres autoriserede reparationer: Kun 3M eller parter med skriftlig bemyndigelse må foretage reparationer på dette udstyr.

- 5.3 PRODUKTETS LEVETID:** Den driftsmæssige levetid for faldsikringssystemer bestemmes af arbejdsbetingelserne og den konkrete vedligeholdelse. Så længe produktet godkendes ved inspektionen, må det fortsat bruges.

6.0 VEDLIGEHOLDELSE, SERVICE, OPBEVARING


- 6.1 RENGØRING:** Rens med jævne mellemrum tagryg-kontravægtankerets metalkomponenter med en blød børste og varmt vand med en mild sæbeopløsning. Sørg for, at delene bliver grundigt skyllet med rent vand.
- 6.2 SERVICE:** Kun 3M eller parter med skriftlig bemyndigelse fra 3M må foretage reparationer på dette udstyr. Hvis tagryg-kontravægtankeret har været aktiveret i forbindelse med et fald, eller en inspektion afslører usikre eller fejlbehæftede forhold, skal systemet omgående tages ud af drift, og 3M skal kontaktes med henblik på udskiftning eller reparation.

- 1 Kvalificeret person:** En person med en anerkendt grad eller uddannelsesbevis og med omfattende erfaring med faldsikring. Denne person skal kunne designe, analysere, evaluere og specificere faldsikring.
- 2 Kvalificeret person:** En person, som er i stand til at identificere eksisterende og forudsigelige risici i omgivelserne eller i forhold til arbejdsbetingelser, som er usunde, skadelige eller farlige for medarbejderne, og som har bemyndigelse til at træffe øjeblikkelige korrigerende forholdsregler for at eliminere dem.

6.3 OPBEVARING OG TRANSPORT: Når det ikke bruges, skal tagryg-kontravægtankeret og det tilhørende faldudstyr opbevares og transporteres på et tørt, køligt, rent sted, hvor det ikke udsættes for direkte sollys. Undgå steder, hvor der kan være kemikaliedampe. Inspicer komponenterne efter længere tids opbevaring.

7.0 MÆRKATER

Figur 9 viser mærkaterne på tagryg-kontravægtankeret. Mærkater skal udskiftes, hvis de ikke er let læselige. Hver mærkat har følgende information:

A	 Læs alle instruktioner. 1) Fremstillingsår og -måned/Partinummer 2) Tilsynsførende myndigheds-ID 3) Sikkerhedsstandarder 4) Produktmodelnummer
---	---

SICHERHEITSHINWEISE

Vor der Verwendung dieses Anschlaghilfsmittels müssen alle Sicherheitsinformationen in diesen Anweisungen gelesen, verstanden und befolgt werden. **NICHTBEACHTUNG KANN ERNSTE VERLETZUNGEN ODER DEN TOD ZUR FOLGE HABEN.**

Diese Anweisungen müssen dem Benutzer dieser Ausrüstung zur Verfügung gestellt werden. Bewahren Sie diese Anweisungen für den späteren Gebrauch auf.

Verwendungszweck:

Dieses Anschlaghilfsmittel ist für den Gebrauch als Teil eines kompletten persönlichen Absturzicherungssystems vorgesehen.

Die Verwendung in anderen Anwendungen, u. a. bei Materialtransport, Freizeitaktivitäten, Sportaktivitäten oder anderen, nicht in der Bedienungsanleitung beschriebenen Aktivitäten, wird nicht durch 3M genehmigt und kann zu schweren Verletzungen oder zum Tod führen.

Dieses Gerät darf nur von Personen verwendet werden, die in der Verwendung des Geräts am Arbeitsplatz geschult sind.

WARNUNG

Dieses Anschlaghilfsmittel ist Teil eines persönlichen Absturzicherungssystems. Es wird erwartet, dass alle Benutzer vollständig in dem sicheren Zusammenbau und der Bedienung ihres persönlichen Absturzicherungssystems geschult werden. **Der unsachgemäße Gebrauch dieses Geräts kann ernste Verletzungen oder den Tod zur Folge haben.** Informationen zur richtigen Auswahl, Bedienung, Installation, Wartung und Instandhaltung sind der Bedienungsanleitung und den Herstellerempfehlungen zu entnehmen, oder wenden Sie sich an Ihren Vorgesetzten oder an den technischen Service von 3M.

- **Maßnahmen zur Reduzierung der Risiken (die, wenn sie nicht vermieden werden, zu schweren Verletzungen oder zum Tod führen können) im Zusammenhang mit einem Anschlaghilfsmittel:**
 - Überprüfen Sie das Gerät vor jeder Verwendung, mindestens aber jährlich und nach jedem Absturz. Überprüfen Sie gemäß den Benutzeranweisungen.
 - Falls bei der Überprüfung eine Gefahr oder ein Mängelzustand festgestellt wird, nehmen Sie das Gerät außer Betrieb und reparieren oder ersetzen Sie es gemäß den Benutzeranweisungen.
 - Jede Vorrichtung, die einer Absturzicherung oder Aufprallkräften ausgesetzt war, muss sofort aus dem Betrieb genommen und zerstört werden.
 - Die Vorrichtung darf ausschließlich in den angegebenen Untergründen oder an den in der Benutzeranleitung aufgeführten Strukturen angebracht werden. Nicht in dieser Anleitung beschriebene Installationsweisen und Verwendungen müssen von 3M Fall Protection genehmigt werden.
 - Das Trägermaterial oder die Struktur, an die das Anschlaghilfsmittel befestigt ist, muss die statischen Belastungen tragen können, die für die Verankerung in den zulässigen Vorgaben angegeben sind. Diese sind in den Benutzeranweisungen zu finden.
 - Nur andere Untersysteme der Absturzicherung mit dem gekennzeichneten Verankerungspunkt an der Vorrichtung verbinden.
 - Stellen Sie vor dem Bohren oder Befestigen sicher, dass keine elektrischen Leitungen, Gasleitungen oder sonstige kritische integrierte Systeme mit dem Bohrer oder dem Gerät in Kontakt geraten.
 - Stellen Sie sicher, dass Absturzicherungssysteme/Teilsysteme, die aus Komponenten von verschiedenen Herstellern zusammengebaut werden, zueinander passen und den Anforderungen von geltenden Normen, einschließlich ANSI Z359 oder anderen gültigen Absturzicherungsrichtlinien, Standards oder Anforderungen entsprechen. Ziehen Sie stets einen Sachkundigen oder eine qualifizierte Person zurate, bevor Sie diese Systeme verwenden.
- **Maßnahmen zur Reduzierung der Risiken (die, wenn sie nicht vermieden werden, zu schweren Verletzungen oder zum Tod führen können) im Zusammenhang mit Arbeiten in der Höhe:**
 - Stellen Sie sicher, dass Ihre gesundheitliche und körperliche Verfassung allen Kräften im Zusammenhang mit Arbeiten in der Höhe sicher standhalten kann. Konsultieren Sie Ihren Arzt, wenn Sie Fragen bezüglich Ihrer Fähigkeit haben, diese Ausrüstung zu verwenden.
 - Niemals die zulässige Belastbarkeit für Ihre Absturzicherungsausrüstung überschreiten.
 - Niemals die maximale Strecke des Absturzes Ihrer Absturzicherungsausrüstung überschreiten.
 - Verwenden Sie keine Absturzicherungsausrüstung, die die Prüfung vor dem Einsatz oder andere geplante Prüfungen nicht bestanden haben, oder wenn Sie Bedenken über die Verwendung oder Tauglichkeit dieser Ausrüstung für Ihren Anwendungsbereich haben. Bei allen Fragen wenden Sie sich an den technischen Kundendienst von 3M.
 - Manche Kombinationen mit Teilsystemen und Komponenten können die Funktionsweise dieser Ausrüstung beeinträchtigen. Nur kompatible Verbindungselemente verwenden. Konsultieren Sie 3M, bevor Sie diese Ausrüstung in Kombination mit anderen Komponenten oder Untersystemen verwenden als denen, die in dieser Bedienungsanleitung beschrieben sind.
 - Bei der Arbeit in der Nähe von beweglichen Maschinen (z. B. Kraftdrehknopf von Ölplattformen), elektrischen Gefahrenherden, extremen Temperaturen, chemischen Gefahren, explosiven oder toxischen Gasen, scharfen Kanten oder unterhalb von über dem Kopf befindlichen Materialien, die auf Sie oder Ihre Absturzicherung fallen könnten, besonders vorsichtig vorgehen.
 - Bei Arbeiten in Umgebungen mit hohen Temperaturen Vorrichtungen für Schweißlichtbogen oder Heißarbeiten verwenden.
 - Oberflächen und Gegenstände vermeiden, die dem Benutzer oder der Ausrüstung schaden könnten.
 - Stellen Sie bei Arbeiten in der Höhe einen angemessenen Fallraum sicher.
 - Niemals versuchen, die Absturzicherung zu modifizieren. Nur 3M oder Dritte, die hierzu schriftlich von 3M autorisiert sind, dürfen Reparaturen an der Ausrüstung vornehmen.
 - Vergewissern Sie sich vor dem Einsatz der Absturzicherung, dass ein Rettungsplan vorliegt, durch dessen Mittel eine unverzügliche Rettung bei einem Absturz ermöglicht wird.
 - Wenn es zu einem Absturz kommt, muss für den abgestürzten Arbeiter sofort ein Arzt hinzugezogen werden.
 - Verwenden Sie für Absturzicherungsanwendungen keinen Haltegurt. Verwenden Sie nur einen Ganzkörper-Auffanggurt.
 - Minimieren Sie Pendelstürze, indem Sie so nahe wie möglich am Verankerungspunkt arbeiten.
 - Beim Training mit dieser Vorrichtung muss ein zweites Absturzicherungssystem in der Weise angewendet werden, dass der Trainingsteilnehmer keiner unbeabsichtigten Absturzgefahr ausgesetzt wird.
 - Beim Zusammenbau, der Verwendung oder Prüfung der Vorrichtung stets eine entsprechende persönliche Schutzausrüstung tragen.

Übertragen Sie die Angaben zur Produktidentifikation vor der Installation und Verwendung dieser Ausrüstung vom ID-Etikett in das Inspektions- und Wartungsprotokoll (Tabelle 2) am Ende dieses Handbuchs.

PRODUKTBESCHREIBUNG:

Abbildung 1 zeigt die 3M™ DBI-SALA™ Dach-Verankerung mit Gegengewicht. Die Dach-Verankerung mit Gegengewicht ist ein Einzelanschlagspunktanschluss für ein persönliches Absturzsicherungssystem, zur Befestigung auf dem Dach.

Abbildung 2 zeigt die Komponenten der Dach-Verankerung mit Gegengewicht. Bauteilspezifikationen siehe Tabelle 1. Die Dach-Verankerung mit Gegengewicht besteht aus einem Hauptsicherungsanker (A) und einem Anschlagpunkt (B), der mit den Gegengewichtplatten (E) und den gummibeschichteten Basisgewichten (F) über L-Schrauben (C) und Muttern mit Unterlegscheiben (D) verschraubt ist. Das Absturzsicherungs-Teilsystem ist mit dem Anschlagpunkt (B) auf dem Hauptsicherungsanker verbunden.

Tabelle 1 – Spezifikationen

Systemspezifikationen:	
Tragfähigkeit:	1 Person mit einem Gesamtgewicht (einschließlich Kleidung, Werkzeuge usw.) von maximal 140 kg (310 lbs).
Verankerung:	<p>Absturzsicherung: Das Bauwerk, an der das Anschlaghilfsmittel befestigt wird, muss mindestens folgende statischen Lasten in den für das Absturzsicherungssystem zulässigen Richtungen aushalten: 16 kN (3.600 lbs).</p> <p>Die Dach-Verankerung mit Gegengewicht darf bei schlechtem Wetter nicht verwendet werden. Die Dachfläche muss frei von Frost, Schnee, stehendem Wasser, Fett oder Öl oder jeder anderen Art von Schmiermitteln oder anderen reibungsmindernden Materialien sein.</p> <div style="border: 1px solid black; padding: 5px; margin: 5px 0;"> <input checked="" type="checkbox"/> Die Dach-Verankerung mit Gegengewicht ist für die Verwendung auf folgenden Dachtypen zugelassen: Beton, Bitumen und gesandeter Asphalt. </div> <p>Haltesystem: Das Dach muss eine statische Last von 415 kg tragen können.</p>
Abmessungen:	Siehe Abbildung 1 für Abmessungen des Modells Dach-Verankerung mit Gegengewicht.
Produktgewicht:	Siehe Abbildung 1 für Gewicht des Modells Dach-Verankerung mit Gegengewicht.
Normen:	Geprüft gemäß EN 795:2012

Spezifikation der Bauteile:

Siehe Abbildung 2	Komponente	Material	Hinweis:
Ⓐ	Etiketten	Polyester	
Ⓑ	Anschlagpunkt	Stahl	
Ⓒ	L-Schrauben	Stahl	
Ⓓ	Muttern und Unterlegscheiben	Stahl	
Ⓔ	Gegengewicht-Platten	Gusseisen	
Ⓕ	Mit Gummi beschichtete Grundgewichte	Gusseisen und Plastisol	

1.0 PRODUKTANWENDUNG

- 1.1 VERWENDUNGSZWECK:** Verankerungsanschlüsse wurden konzipiert, um Verankerungsanschlusspunkte für Absturzsicherungs⁻¹ oder Absturzrückhaltesysteme² zu bieten: Rückhalte-, Arbeitspositionierungs-, Personenseilfahrt-, Rettungssysteme usw.

Nur Absturzsicherung: Dieses Anschlaghilfsmittel dient als Verbindungselement für die Absturzsicherung. Befestigen Sie an diesem Anschlaghilfsmittel keine Hebeausrüstung.

- 1.2 NORMEN:** Das Anschlaghilfsmittel entspricht den nationalen oder regionalen Normen, die auf der Vorderseite dieses Handbuchs angegeben sind. Wenn dieses Produkt außerhalb des ursprünglichen Bestimmungslandes wiederverkauft wird, muss der Wiederverkäufer diese Anweisungen in der Sprache des Landes zur Verfügung stellen, in dem das Produkt verwendet werden wird.
- 1.3 ÜBERWACHUNG:** Die Verwendung dieser Ausrüstung muss durch einen Sachkundigen überwacht werden³.
- 1.4 TRAINING:** Die Ausrüstung muss von Personen, die in der richtigen Anwendung geschult sind, installiert und verwendet werden. Dieses Handbuch ist im Rahmen eines Trainingsprogramms für Mitarbeiter, wie es von CE gefordert wird, zu verwenden. Es unterliegt der Verantwortung der Benutzer und Installateure dieser Ausrüstung, sicherzustellen, dass sie mit diesen Anweisungen vertraut sind und bezüglich korrekter Pflege und Einsatzweise geschult wurden. Zudem müssen sie die Betriebsmerkmale, Anwendungseinschränkungen und die Folgen eines nicht ordnungsgemäßen Gebrauchs dieser Ausrüstung kennen.
- 1.5 RETTUNGSPLAN:** Beim Verwenden dieser Ausrüstung und dem Anschließen der Teilsysteme muss der Arbeitgeber über einen Rettungsplan und die Mittel zu dessen Durchführung verfügen. Außerdem muss er den Plan den Benutzern, den zuständigen Fachkräften⁴ und den Rettungskräften⁵ übermitteln. Ein ausgebildetes internes Rettungsteam wird empfohlen. Die Teammitglieder sind mit den nötigen Geräten und Techniken für eine erfolgreiche Rettung auszustatten. Ein regelmäßiges Training ist erforderlich, damit die Befähigung des Rettungsteams stets gewährleistet ist.
- 1.6 INSPEKTIONSHÄUFIGKEIT:** Das Anschlaghilfsmittel muss vom Anwender vor jeder Benutzung und zusätzlich mindestens jährlich von einem Sachkundigen, der nicht der Anwender ist, inspiziert werden.⁶ Die Inspektionsaktivitäten werden im „Inspektions- und Wartungsprotokoll“ beschrieben. Tragen Sie die Ergebnisse jeder Inspektion durch einen Sachkundigen in das „Inspektions- und Wartungsprotokoll“ ein.
- 1.7 NACH EINEM STURZ:** Wenn das Anschlaghilfsmittel den Kräften eines abgefangenen Absturzes ausgesetzt war, muss dieses sofort aus dem Betrieb genommen und vernichtet werden.

2.0 SYSTEMVORAUSSETZUNGEN

- 2.1 VERANKERUNG:** Die Anforderungen an die Verankerung variieren mit der Absturzsicherung. Strukturen, an denen das Anschlaghilfsmittel angebracht oder an denen dieses befestigt ist, müssen die in Tabelle 1 definierten Verankerungsspezifikationen erfüllen.
- 2.2 PERSÖNLICHE SCHUTZAUSRÜSTUNG GEGEN ABSTURZ (PSAG):** Abbildung 1 stellt die Anwendung dieses Anschlaghilfsmittels dar. Die mit diesem System verwendeten persönlichen Schutzausrüstungen gegen Absturz (PSAG) müssen geltende Absturzsicherungsnormen, -codes und -anforderungen erfüllen. Die PSAG muss einen Ganzkörper-Auffanggurt umfassen und die Absturzbremskraft auf die folgenden Werte begrenzen:

	Maximale Bremskraft	Freier Fall:
PSAG mit Verbindungsmittel mit Falldämpfer	6 kN (1.350 lb)	Sehen Sie die Anweisung(en), die mit dem Verbindungsmittel oder die SRD für Begrenzungen eines freien Falls mitgeliefert wird/werden.
PSAG mit Selbsteinzugsvorrichtung (SRD Self Retracting Device)	6 kN (1.350 lb)	

- 2.3 FALLSTRECKE UND ARRETIERUNGSGESCHWINDIGKEIT DES HÖHENSICHERUNGSGERÄTS:** Eine freie Fallstrecke ist erforderlich, damit ein sicheres Arretieren eines Höhensicherungsgeräts gewährleistet ist. Eine ungehinderte Fallstrecke sollte stets gewährleistet sein. Bei der Arbeit auf beschränktem oder beengtem Raum erreicht der Körper möglicherweise keine ausreichende Geschwindigkeit, um im Falle eines Absturzes eine Arretierung des SRD auszulösen. Bei Arbeiten auf langsam verrutschendem Material, wie Sand oder Korn, wird unter Umständen keine ausreichend hohe Fallgeschwindigkeit erreicht, um eine Arretierung des SRD auszulösen.
- 2.4 GEFAHREN:** Die Verwendung dieser Ausrüstung in Bereichen mit Umweltgefahren kann zusätzliche Sicherheitsmaßnahmen erfordern, um die Verletzungsgefahr und Schäden an der Ausrüstung zu vermeiden. Zu den Gefahren zählen unter anderem: Hitze, Chemikalien, korrosive Umgebungen, Hochspannungsleitungen, explosive oder giftige Gase, bewegliche Maschinen, scharfe Kanten oder überhängiges Material, das herunterfallen und den Anwender oder das Absturzsicherungssystem treffen kann.

1 Absturzsicherungssystem: Eine Sammlung von Absturzsicherungsausrüstungen, die so konfiguriert sind, dass sie einen freien Fall stoppen.

2 Absturzrückhaltesystem: Eine Sammlung von Absturzsicherungsausrüstung, die durch ihre Konfiguration verhindert, dass der Schwerpunkt der Person eine Absturzgefahr erreicht.

3 Sachkundiger: Eine Person, die in der Lage ist, bestehende und vorhersehbare Risiken in der Umgebung oder bei Arbeitsbedingungen zu erkennen, die für Mitarbeiter gesundheitsgefährdend, gefährlich oder risikoreich sind, und die befugt ist, sofort korrigierende Maßnahmen zu ergreifen, um diese Risiken und Gefährdungen zu beseitigen.

4 Autorisierte Fachkraft: Eine Person, die vom Arbeitgeber dazu bestimmt ist, Aufgaben an einem Ort auszuführen, an dem sie einer Absturzgefahr ausgesetzt ist.

5 Rettungskraft: Person oder Personen außer der verunfallten Person, die mithilfe technischer Rettungs- und Bergungsmittel eine Rettungs- bzw. Bergungsaktion vornehmen.

6 Inspektionshäufigkeit: Extreme Arbeitsbedingungen (raue Umweltbedingungen, andauernde Verwendung usw.) können eine häufigere Überprüfung durch einen Sachkundigen erforderlich machen.

- 2.5 FALLRAUM:** Abbildung 3 zeigt die Komponenten eines Absturzicherungssystems. Es muss ein ausreichender Fallraum vorhanden sein, um einen Absturz zu bremsen, bevor der Benutzer auf den Boden oder andere Hindernisse auftrifft. Der Fallraum wird durch eine Reihe von Faktoren beeinflusst, darunter: Verankerungsstelle, (A) Länge des Verbindungsmittels, (B) Verzögerungsdistanz des Verbindungsmittels oder maximaler Bremsweg der SRD (C), Dehnung des Auffanggurts sowie Länge und Setzung der Auffangöse. Einzelheiten bezüglich der Berechnung des Fallraums entnehmen Sie bitte der Gebrauchsanweisung, die dem Absturzicherungssystem beiliegt.
- 2.6 PENDELSTURZ:** Zu Pendelstürzen kommt es, wenn sich der Verankerungspunkt nicht direkt über dem Punkt befindet, an dem sich der Fall ereignet (siehe Abbildung 4). Die Kraft des Aufpralls auf ein Objekt bei einem Pendelsturz kann zu schweren Verletzungen oder zum Tod führen. Minimieren Sie Pendelstürze, indem Sie so nahe wie möglich am Verankerungspunkt arbeiten. Lassen Sie keinen Pendelsturz zu, wenn es dabei zu Verletzungen kommen könnte. Pendelstürze erfordern einen deutlich höheren Abstand, wenn ein Sicherungsseil mit automatischem Rückzug oder ein anderes Teilsystem mit variabler Länge verwendet wird.
- 2.7 KOMPATIBILITÄT DER KOMPONENTEN:** Die Ausrüstung von 3M ist nur zur Verwendung mit den von 3M freigegebenen Komponenten und Subsystemen ausgelegt. Ein Austausch durch nicht genehmigte Komponenten oder Teilsysteme kann die Kompatibilität der Ausrüstung aufs Spiel setzen und die Sicherheit und Zuverlässigkeit des kompletten Systems gefährden.
- 2.8 KOMPATIBILITÄT DER VERBINDUNGSELEMENTE:** Verbindungsmittel sind mit Verbindungselementen kompatibel, wenn sie in Größe und Form so konzipiert sind, dass sie zusammenarbeiten, ohne dass sich ihre Verschlussmechanismen versehentlich öffnen, unabhängig davon, wie sie ausgerichtet sind. Kontaktieren Sie 3M, wenn Sie Fragen zur Kompatibilität haben.
- Verbindungselemente müssen EN 362 entsprechen. Die Verbindungselemente müssen mit der Verankerung oder anderen Systemkomponenten kompatibel sein. Verwenden Sie keine Ausrüstung, die nicht kompatibel ist. Nicht kompatible Verbindungselemente können sich versehentlich lösen (siehe Abbildung 5). Die Verbindungselemente müssen in Größe, Form und Belastbarkeit kompatibel sein. Wenn das Verbindungselement, an das der Karabiner angeschlossen wird, zu klein ist oder eine unregelmäßige Form aufweist, kann es dazu kommen, dass das Verbindungselement Druck auf den Verschluss des Karabiners (A) ausübt. Dieser Druck kann dazu führen, dass sich der Verschluss öffnet (B), sodass sich der Karabiner vom Verbinderpunkt (C) löst.
- 2.9 ANSCHLAGEN:** Verwenden Sie mit dieser Ausrüstung nur Schnapphaken und Karabiner. Stellen Sie sicher, dass alle Verbindungen bezüglich Größe, Form und Stärke kompatibel sind. Verwenden Sie keine Ausrüstung, die nicht kompatibel ist. Vergewissern Sie sich, dass alle Verbindungselemente vollständig geschlossen und verriegelt sind.
- Verbindungselemente von 3M (Schnapphaken und Karabiner) dürfen nur wie in der Bedienungsanleitung des jeweiligen Produktes angegeben verwendet werden. Abbildung 6 zeigt Beispiele für falsche Verbindungen. Schnapphaken und Karabiner dürfen nicht wie folgt befestigt werden:
- An einer hinteren Auffangöse, an der ein anderes Verbindungselement befestigt ist.
 - Auf eine Weise, die den Verschluss belastet. Schnapphaken mit großer Maulöffnung sollten nicht an Auffangösen oder ähnlichen Objekten in Standardgröße angebracht werden, da der Verschluss sonst belastet wird, wenn sich der Haken oder die Auffangöse dreht, es sei denn, der Karabinerhaken verfügt über einen Verschluss, der einer Belastung von 16 kN (3.600 lbs) standhält. Überprüfen Sie die Markierung auf Ihrem Schnapphaken, um sicherzustellen, dass er die Voraussetzungen für die Anwendung erfüllt.
 - An einem falschen Rasthaken, wenn Teile des Schnapphakens oder Karabiners hervorstehen, die sich in der Verankerung verfangen können, und ohne dass visuell geprüft werden kann, ob der Verbinder voll in der Verankerung eingerastet ist.
 - Aneinander.
 - Direkt an einem Gurtband, Verbindungsmittel oder Tie Back Verbindungsmittel (außer es ist laut Anweisungen des Herstellers ausdrücklich erlaubt, die Verbindungselemente auf diese Weise anzuschließen).
 - An einem Objekt, das eine Größe und Form aufweist, die verhindern, dass der Karabinerhaken oder Karabiner verschlossen und verriegelt werden kann, oder dazu führen, dass sich der Haken löst.
 - Auf eine Weise, in der das Verbindungselement sich unter Last nicht richtig ausrichten kann.

3.0 INSTALLATION

Die Installation der DBI-SALA Dach-Verankerung mit Gegengewicht muss durch eine qualifizierte Person¹ überwacht werden. Für die Installation muss ein Sachkundiger² zertifizieren, dass sie den Kriterien für eine zertifizierte Verankerung entspricht oder in der Lage ist, die potenziellen Kräfte auszuhalten, die bei einem Absturz auftreten können.

3.1 PLANUNG: Planen Sie Ihr Absturzschutzsystem vor der Montage der Dach-Verankerung mit Gegengewicht. Berücksichtigen Sie alle Faktoren, die Ihre Sicherheit vor, während und nach einem Absturz beeinträchtigen könnten. Beachten Sie alle in Abschnitt 2 und Tabelle 1 beschriebenen Anforderungen, Einschränkungen und Spezifikationen. Bestimmen Sie die korrekte Position für die Dach-Verankerung mit Gegengewicht. Sie muss flach sein und mindestens 2,5 m (8 ft) von der Kante der Struktur oder jeglichen Öffnungen, wie beispielsweise Dachfenstern, entfernt sein und so nahe wie möglich am Arbeitsbereich liegen (Abbildung 7A).

3.2 INSTALLIEREN DER DACH-VERANKERUNG MIT GEGENGEWICHT: Die Dach-Verankerung mit Gegengewicht kann auf jedem Dach installiert werden, das die in Tabelle 1 angegebenen Verankerungsanforderungen erfüllt. Fegen Sie den Installationsort aus, um sämtliches loses Material zu entfernen. So installieren Sie die Dach-Verankerung mit Gegengewicht (Abbildung 7):

1. Legen Sie vier gummierte Grundgewichte auf der flachen Oberfläche aus. L-Schrauben werden durch eines der beiden Löcher in jedem der Grundgewichte eingedreht.
2. Heben Sie jedes Grundgewicht an und drehen Sie von der Unterseite des jeweiligen Gewichts eine L-Schraube durch eines der beiden Löcher des Gewichts. Wechseln Sie die Richtung jeder L-Schraube.
3. Positionieren Sie den Dachanker vorübergehend auf den Grundgewichten und L-Schrauben, um zu bestätigen, dass die L-Schrauben in den Grundgewichten korrekt ausgerichtet sind.
4. Entfernen Sie den Dachanker. Stapeln Sie drei zusätzliche Gewichte auf jedes Grundgewicht, wobei die L-Schrauben durch die entsprechenden Löcher in jedem Gewicht ragen.
5. Positionieren Sie den Dachanker auf den L-Schrauben und Gewichten. Stellen Sie sicher, dass jede L-Schraube durch eines der Befestigungslöcher in der Grundplatte des Dachankers hindurch geht.
6. Fügen Sie einzelne Gewichtsschichten hinzu. Bei der Dach-Verankerung mit Gegengewicht werden insgesamt 20 Gewichte eingesetzt. Jeder der vier Gewichtsstapel umfasst fünf Gewichte (Grundgewicht zzgl. vier Zusatzgewichten in jedem Stapel). Befestigen Sie jeweils eine Unterlegscheibe und Mutter an jeder der L-Schrauben. Ziehen Sie alle vier Muttern fest per Hand an.

4.0 EINSATZ

4.1 VOR JEDEM EINSATZ: Stellen Sie sicher, dass Ihr Arbeitsbereich und Ihre Persönliche Schutzausrüstung gegen Absturz (PSAgA) alle Kriterien erfüllen, die in Abschnitt 2 definiert sind, und dass ein formeller Rettungsplan vorhanden ist. Prüfen Sie die Dach-Verankerung mit Gegengewicht anhand der „Benutzer“-Inspektionspunkte, die im „Inspektions- und Wartungsprotokoll“ (Tabelle 2) definiert sind. Wenn bei der Inspektion unsichere oder defekte Zustände festgestellt werden, verwenden Sie das System nicht. Nehmen Sie das System außer Betrieb und zerstören Sie es oder kontaktieren Sie 3M für einen Ersatz oder eine Reparatur.

4.2 ABSTURZSICHERUNGSVERBINDUNGEN: Die Dach-Verankerung mit Gegengewicht wird mit einem Ganzkörper-Auffanggurt und einem Energieabsorber-Verbindungsmittel oder einer Selbsteinzugsvorrichtung (SRD) verwendet. Verbinden Sie das Verbindungsmittel oder die SRD zwischen der Auffangöse an der Dach-Verankerung mit Gegengewicht und der hinteren Auffangöse am Auffanggurt, wie in den Anweisungen im Lieferumfang des Verbindungsmittels oder der SRD beschrieben.

WICHTIG: Wenn die Dach-Verankerung mit Gegengewicht den Kräften zur Sturzsicherung unterworfen ist, muss sie sofort vom Einsatzbereich entfernt und ersetzt oder durch einen autorisierten Mitarbeiter von Capital Safety untersucht werden.

5.0 INSPEKTION

5.1 INSPEKTIONS-HÄUFIGKEIT: Die Dach-Verankerung mit Gegengewicht muss in den in Abschnitt 1 festgelegten Abständen geprüft werden. Die Inspektionsaktivitäten werden im „Inspektions- und Wartungsprotokoll“ (Tabelle 2) beschrieben. Inspizieren Sie alle anderen Bauteile des Absturzschutzsystems in den Zeitabständen und nach den Verfahren, die in den Herstelleranleitungen definiert sind.

5.2 DEFEKTE: Falls bei der Inspektion ein Sicherheitsproblem oder ein Defekt festgestellt wird, nehmen Sie die Dach-Verankerung mit Gegengewicht unverzüglich außer Betrieb und kontaktieren Sie 3M, um eine Reparatur oder einen Austausch zu veranlassen. Versuchen Sie nicht, das Absturzschutzsystem zu reparieren.

Nur autorisierte Reparaturen: Nur 3M oder Dritte, die hierzu schriftlich autorisiert sind, dürfen Reparaturen an dieser Ausrüstung vornehmen.

5.3 PRODUKT-LEBENSZYKLUS: Die Haltbarkeit des Absturzschutzsystems wird von den Arbeitsbedingungen und der Wartung bestimmt. Solange das Produkt die Inspektionskriterien erfüllt, kann es in Betrieb bleiben.

6.0 WARTUNG, REPARATUR UND LAGERUNG

6.1 REINIGUNG: Reinigen Sie die Metallbauteile der Dach-Verankerung mit Gegengewicht regelmäßig mit einer weichen Bürste, warmem Wasser und einer milden Seifenlösung. Stellen Sie sicher, dass die Teile sorgfältig mit viel klarem Wasser


gespült werden.

6.2 WARTUNG: Nur 3M oder Dritte, die hierzu von 3M schriftlich autorisiert sind, dürfen Reparaturen an dieser Ausrüstung vornehmen. Falls die Dach-Verankerung mit Gegengewicht Fallkräften ausgesetzt war oder bei der Überprüfung ein Sicherheitsproblem oder ein Defekt festgestellt wird, nehmen Sie das System außer Betrieb und kontaktieren Sie 3M, um eine Reparatur oder einen Austausch zu veranlassen.

6.3 LAGERUNG UND TRANSPORT: Lagern Sie die Dach-Verankerung mit Gegengewicht und die entsprechende Absturzsicherungsausrüstung bei Nichtgebrauch in einer kühlen, trockenen, sauberen Umgebung, in der sie vor direkter Sonneneinstrahlung geschützt sie. Setzen Sie das Produkt keinen chemischen Dämpfen aus. Überprüfen Sie die Komponenten nach langer Lagerung gründlich.

7.0 ETIKETTEN

Abbildung 9 zeigt Etiketten auf der Dach-Verankerung mit Gegengewicht. Die Etiketten müssen ersetzt werden, wenn sie nicht vollständig lesbar sind. Folgende Angaben sind auf jedem Etikett enthalten:

Ⓐ	 Lesen Sie alle Anweisungen. 1) Herstellungsjahr und -monat/Chargennummer 2) ID der Prüfstelle 3) Sicherheitsstandard 4) Produktmodellnummer
---	--

INFORMACIÓN DE SEGURIDAD

Lea, comprenda y cumpla todo lo dispuesto en la información de seguridad contenida en estas instrucciones antes de utilizar este conector de anclaje. **SI NO LO HACE, PUEDE SUFRIR GRAVES LESIONES O LA MUERTE.**

Estas instrucciones deben entregarse al usuario de este equipo. Conserve las instrucciones para futuras consultas.

Uso previsto:

Este conector de anclaje está pensado para ser utilizado como parte de un completo sistema de protección personal contra caídas.

El empleo en cualquier otra aplicación, entre otras, la manipulación de material, actividades relacionadas de recreo o deportivas, u otras actividades no descritas en las instrucciones del usuario, no está aprobado por 3M y podría provocar lesiones graves o la muerte.

Este dispositivo solo deben usarlo usuarios formados en su utilización en aplicaciones dentro del lugar de trabajo.



ADVERTENCIA

Este conector de anclaje es parte de un sistema de protección personal contra caídas. Se espera que todos los usuarios se hayan formado completamente en la instalación y el uso seguros de su sistema de protección contra caídas. **El uso indebido de este dispositivo podría ocasionar lesiones graves o la muerte.** Para conseguir un grado adecuado de selección, uso, instalación, mantenimiento, inspección y reparación, consulte estas instrucciones del usuario y todas las recomendaciones del fabricante o contacte con su supervisor o con el servicio técnico de 3M.

- **Para reducir los riesgos asociados con trabajar con un conector de anclaje que, si no se evitan, podrían ocasionar lesiones de gravedad o la muerte:**
 - Inspeccione el dispositivo antes de cada uso, al menos, con una periodicidad anual, y después de que el sistema haya soportado una caída. Realice la inspección según las instrucciones del producto.
 - Si la inspección revela una situación poco segura o algún defecto, retire el dispositivo del servicio, repárelo o reemplácelo, según se indique en estas instrucciones.
 - Todo dispositivo que haya estado sometido a una fuerza de detención de caídas o de impacto deberá ser retirado inmediatamente del servicio y ser destruido.
 - El dispositivo solo podrá instalarse en los sustratos especificados o sobre las estructuras detalladas en las instrucciones del usuario. Las instalaciones y los usos no contemplados en las instrucciones deberán ser aprobados por 3M Fall Protection.
 - El sustrato o la estructura a la que se fije el conector de anclaje debe poder soportar las cargas estáticas especificadas para el anclaje en las orientaciones permitidas en las instrucciones del usuario.
 - Únicamente conecte otros subsistemas de protección contra caídas en el punto del conector de anclaje designado del dispositivo.
 - Antes de taladrar o ajustar, asegúrese de que no hay cables eléctricos, tuberías de gas u otros sistemas críticos integrados que puedan entrar en contacto con el taladro o el dispositivo.
 - Asegúrese de que los sistemas/subsistemas de protección contra caídas montados a partir de componentes hechos por distintos fabricantes son compatibles y cumplen los requisitos de las normas aplicables, incluyendo los ANSI Z359 u otros códigos, normas o requisitos de protección contra caídas aplicables. Consulte siempre con personal cualificado o competente antes de usar estos sistemas.
- **Para reducir los peligros asociados con el trabajo en altura que, si no se evitan, pueden provocar lesiones graves o la muerte:**
 - Asegúrese de que su salud y condición física le permiten resistir con seguridad todas las fuerzas asociadas con el trabajo en altura. Consulte con su médico si tiene alguna pregunta con respecto a su capacidad para utilizar este equipo.
 - Nunca exceda la capacidad de carga de su equipo de protección contra caídas.
 - Nunca exceda la distancia máxima de caída libre de su equipo de protección contra caídas.
 - No utilice ningún equipo de protección contra caídas que haya fallado antes de usarse o no haya pasado otras inspecciones programadas, o si tiene dudas sobre el uso o la idoneidad del equipo para su aplicación. Póngase en contacto con los servicios técnicos de 3M si tiene cualquier pregunta.
 - Algunas combinaciones de subsistemas y componentes pueden perjudicar el funcionamiento del equipo. Use solamente conectores compatibles. Consulte con 3M antes de emplear este equipo con componentes o subsistemas distintos de los descritos en las instrucciones del usuario.
 - Extreme la precaución cuando se encuentre alrededor de maquinaria en movimiento (p. ej., mecanismos de activación superiores de plataformas petrolíferas) o cuando existan riesgos eléctricos, temperaturas extremas, peligros químicos, gases explosivos o tóxicos, bordes afilados o materiales que se encuentren por encima de usted y que podrían caer sobre usted o sobre el equipo de protección contra caídas.
 - Use dispositivos para trabajos en caliente o arco eléctrico cuando trabaje en ambientes a altas temperaturas.
 - Evite superficies y objetos que puedan lesionar al usuario u ocasionar desperfectos al equipo.
 - Asegúrese de que haya una distancia de caída adecuada cuando trabaje en altura.
 - Nunca modifique o altere su equipo de protección contra caídas. Sólo 3M o las partes autorizadas por escrito por 3M tienen permitido reparar el equipo.
 - Antes de usar el equipo de protección contra caídas, asegúrese de que existe un plan de rescate que permita un rápido rescate si se produce un incidente de caída.
 - Si hubiese un incidente de caída, busque atención médica inmediatamente para el trabajador que se haya caído.
 - No utilice un cinturón corporal para las aplicaciones de detención de caídas. Use solamente un arnés de cuerpo completo.
 - Trabaje en un lugar situado lo más directamente posible por debajo del punto de anclaje para minimizar la posibilidad de caídas con balanceo.
 - Si se está formando con este dispositivo, se debe utilizar un sistema de protección contra caídas secundario de manera que no exponga al aprendiz a un riesgo de caída involuntaria.
 - Lleve siempre el equipo de protección individual apropiado cuando instale, use o inspeccione el dispositivo/sistema.

Antes de instalar y utilizar este equipo, anote los datos identificativos del producto, indicados en la etiqueta de identificación, en la sección "Registro de inspección y mantenimiento" (Tabla 2), dispuesta al final de este manual.

DESCRIPCIÓN DEL PRODUCTO:

En la Figura 1 se ilustra el sistema de anclaje con contrapeso para tejados 3M™ DBI-SALA™. Se trata de un conector de anclaje de un solo punto destinado a un sistema personal de detención de caídas y cuyo diseño está pensado para instalarse en una superficie plana.

En la Figura 2 se ilustran los componentes de que consta el sistema de anclaje con contrapeso para tejados. Consulte la Tabla 1 para comprobar las especificaciones de los componentes. El sistema de anclaje con contrapeso para tejados se compone de un anclaje de soporte principal (A) y un punto de sujeción (B) atornillados a las placas de contrapeso (E) y a las pesas bases recubiertas de goma (F) con pernos en L (C) y tuercas y arandelas (D). El subsistema de detención de caídas va conectado al punto de sujeción (B) en el anclaje de soporte principal.

Tabla 1: Especificaciones

Especificaciones del sistema:	
Capacidad:	1 Persona con un peso combinado (ropa, herramientas, etc.) de no más de 140 kg (310 lb).
Anclaje:	<p>Protección contra caídas: La estructura en la que está instalado el conector de anclaje deberá sostener cargas estáticas, aplicadas en las direcciones permitidas por el sistema de detención de caídas, de al menos: 16 kN (3600 lb).</p> <p>El sistema de anclaje con contrapeso para tejados no se podrá utilizar en condiciones meteorológicas adversas. La superficie del tejado no debe tener escarcha, nieve, agua estancada, grasa, aceite ni cualquier otro tipo de material que lubrique o reduzca la fricción.</p> <p><input checked="" type="checkbox"/> El sistema de anclaje con contrapeso para tejados está autorizado para su utilización en los siguientes tipos de tejado: hormigón, betún y asfalto recubierto de arena.</p> <p>Sujeción: El tejado debe ser capaz de soportar una carga estática de 415 kg.</p>
Dimensiones:	Consulte en la Figura 1 las dimensiones que presenta el modelo de sistema de anclaje con contrapeso para tejados.
Peso del producto:	Consulte en la Figura 1 el peso del modelo de sistema de anclaje con contrapeso para tejados.
Normas:	Sometido a pruebas conforme a la norma EN 795:2012

Especificación de componentes:			
Referencia de la Figura 2	Componente	Materiales	Nota:
(A)	Etiquetas	Poliéster	
(B)	Punto de sujeción	Acero	
(C)	Pernos en L	Acero	
(D)	Tuercas y arandelas	Acero	
(E)	Placas de contrapeso	Fundición gris	
(F)	Pesas base recubiertas de goma	Fundición gris y plastisol	

1.0 APLICACIÓN DEL PRODUCTO

1.1 PROPÓSITO: Los conectores de anclaje están diseñados para proporcionar puntos de conexión de anclaje para sistemas de retención de caídas¹ o detención de caídas²: Retención, Posicionamiento de trabajo, Desplazamiento de personal, Rescate, etc.

Solo protección anticaídas: Este conector de anclaje está indicado para la sujeción de equipo de protección anticaídas. No conecte ningún equipo de elevación a este conector de anclaje.

- 1.2 NORMAS:** Su conector de anclaje cumple con la(s) norma(s) naciona(les) o regional(es) identificada(s) en la portada de estas instrucciones. Si se revende este producto fuera del país de destino original, el revendedor debe proporcionar estas instrucciones en el idioma del país en donde se utilizará el producto.
- 1.3 SUPERVISIÓN:** El uso de este equipo lo debe supervisar una persona competente³.
- 1.4 FORMACIÓN:** Este equipo lo deben instalar y utilizar personas que hayan recibido formación sobre su correcta aplicación. Este manual se debe utilizar dentro de un programa de formación de personal tal y como exige la CE. Es responsabilidad de los usuarios e instaladores de este equipo familiarizarse con estas instrucciones, formarse en cuanto al cuidado y uso correcto del mismo, y conocer a fondo las características de funcionamiento, las limitaciones de uso y las consecuencias del uso incorrecto de este equipo.
- 1.5 PLAN DE RESCATE:** Cuando utilice este equipo y los subsistemas de conexión, la empresa debe contar con un plan de rescate y los medios necesarios para implementarlo e informar a los usuarios, las personas autorizadas⁴ y los responsables del rescate acerca del plan⁵. Se recomienda tener en el centro un equipo de rescate con formación. Se deben proporcionar a los miembros del equipo las técnicas y el equipo para llevar a cabo un rescate con éxito. Se debe proporcionar de forma periódica formación a los responsables del rescate para garantizar su competencia.
- 1.6 FRECUENCIA DE INSPECCIÓN:** El usuario debe revisar el conector de anclaje antes de cada uso y, adicionalmente, debe revisarlo también una persona competente que no sea el usuario, en intervalos no superiores a un año.⁶ Los procedimientos de inspección se describen en el "Registro de inspección y mantenimiento". Los resultados de la inspección de cada persona competente deben registrarse en copias del "Registro de inspección y mantenimiento".
- 1.7 DESPUÉS DE UNA CAÍDA:** Si el conector de anclaje queda expuesto a las fuerzas de una caída, debe retirarse inmediatamente del servicio, marcarse claramente "NO USAR" y luego destruirse.

2.0 REQUISITOS DEL SISTEMA

- 2.1 ANCLAJE:** Los requisitos de anclaje varían con la aplicación de protección contra caídas. La estructura sobre la que se coloca o instala el conector de anclaje debe cumplir las especificaciones de anclaje definidas en la Tabla 1.
- 2.2 SISTEMA PERSONAL DE DETENCIÓN DE CAÍDAS:** la Figura 1 ilustra la aplicación de este conector de anclaje. Los sistemas personales de detención de caídas (PFAS) usados con este equipo deben cumplir los requisitos, códigos y estándares aplicables para protección anticaídas. El PFAS debe incorporar un arnés de cuerpo completo y limitar la fuerza de detención a los siguientes valores:

	Fuerza máxima de detención	Caída libre
PFAS con eslinga de absorción de impacto	6 kN (611,8 kg)	Consulte las instrucciones incluidas con su eslinga o SRD para las limitaciones de caída libre.
PFAS con dispositivo autorretráctil (SRD)	6 kN (611,8 kg)	

- 2.3 TRAYECTORIA DE CAÍDA Y VELOCIDAD DE BLOQUEO DEL SRD:** Es necesario un trayecto sin obstáculos para garantizar un bloqueo correcto de un SRD. Se deben evitar las situaciones que no permitan un trayecto de caída sin obstrucciones. Trabajar en espacios confinados o estrechos puede hacer que el cuerpo no alcance suficiente velocidad para provocar el bloqueo del SRD en caso de producirse una caída. Es posible que al trabajar sobre materiales de desplazamiento lento, como arena o grano, no se alcance la velocidad suficiente para provocar el bloqueo del SRD.
- 2.4 PELIGROS:** El uso de este equipo en zonas con peligros en el entorno puede requerir precauciones adicionales para evitar que se produzcan lesiones personales o daños al equipo. esos peligros son, entre otros: el calor, los agentes químicos, los ambientes corrosivos, líneas de alta tensión, gases explosivos o tóxicos, maquinaria en movimiento y bordes afilados, o bien materiales que puedan caer y golpear al usuario o al sistema de detención de caídas.
- 2.5 DISTANCIA DE CAÍDA:** La figura 3 ilustra los componentes de un sistema de detención de caídas. Debe haber una distancia de caída suficiente para detener la caída antes de que el usuario llegue al suelo o se golpee con otro obstáculo. La distancia se ve afectada por una serie de factores, incluidos: Ubicación del anclaje, (A) longitud de la eslinga, (B) distancia de desaceleración de la eslinga o distancia de detención máxima del SRL, (C) estirado del arnés y fijación y longitud del conector/anilla. Consulte las instrucciones específicas sobre el cálculo de la distancia de caída incluidas con el subsistema de detención de caídas.

1 Sistema de detención de caídas: Una colección de Equipos de protección contra caídas configurados para detener una caída libre.

2 Sistema de retención de caídas: Una colección de Equipos de protección contra caídas configurados para evitar que el centro de gravedad de la persona alcance un riesgo de caída.

3 Persona competente: Una persona capaz de identificar peligros existentes y predecibles en los alrededores o condiciones de trabajo antihigiénicas, peligrosas o perjudiciales para los empleados, y que cuenta con autorización para tomar medidas correctivas rápidas para eliminarlos.

4 Persona autorizada: una persona asignada por el empleador para realizar tareas en una ubicación donde estará expuesto a riesgo de caída.

5 Rescatador: persona o personas, que no sean el sujeto que se pretende rescatar, que actúan para realizar un rescate asistido mediante un sistema de rescate.

6 Frecuencia de inspección: Las condiciones de trabajo extremas (entornos hostiles, uso prolongado, etc.) hacen que sea necesario aumentar la frecuencia de las inspecciones que realizan las personas competentes.

2.6 CAÍDAS POR BALANCEO: las caídas por balanceo se pueden producir cuando el punto de anclaje no está directamente por encima del punto donde se produce una caída (consulte la figura 4). La fuerza del golpe contra un objeto en una caída por balanceo puede causar lesiones graves, incluso la muerte. Trabaje en un lugar situado lo más directamente posible por debajo del punto de anclaje para minimizar la posibilidad de caídas con balanceo. No permita que ocurra una caída por balanceo si pudiera ser causa de lesiones. Las caídas por balanceo incrementarán considerablemente la distancia necesaria cuando se utiliza un dispositivo autorretráctil u otro subsistema de conexión de longitud variable.

2.7 COMPATIBILIDAD DE COMPONENTES: El equipo 3M está diseñado para su uso solo con componentes y subsistemas aprobados por 3M. Las sustituciones que se hagan con componentes o subsistemas no aprobados pueden poner en peligro la compatibilidad del equipo y afectar a la seguridad y fiabilidad de todo el sistema.

2.8 COMPATIBILIDAD DE LOS CONECTORES: Los conectores se consideran compatibles con los elementos de conexión cuando, sin importar cómo queden orientados, se han diseñado para trabajar en conjunto de manera que sus tamaños y formas no provoquen que sus mecanismos de apertura se abran inesperadamente. Póngase en contacto con 3M si tiene alguna duda sobre compatibilidad.

Los conectores deben cumplir con EN 362. Los conectores deben ser compatibles con el anclaje y los demás componentes del sistema. No utilice equipos que no sean compatibles. Los conectores no compatibles pueden desengancharse de manera accidental (consulte la Figura 5). Los conectores deben ser compatibles en tamaño, forma y resistencia. Si el elemento conector al que se acopla un mosquetón con cierre automático o un mosquetón es más pequeño de lo normal o tiene forma irregular, puede suceder que el elemento conector ejerza una fuerza sobre el mecanismo de apertura del mosquetón con cierre automático o el mosquetón (A). Esta fuerza puede hacer que el mecanismo de apertura se abra (B) y permitir que el mosquetón con cierre automático o el mosquetón se desenganchen del punto de conexión (C).

2.9 HACER CONEXIONES: Los mosquetones con cierre automático y mosquetones que haya que usar con este equipo deben ser de autobloqueo. Asegúrese de que todas las conexiones sean compatibles en tamaño, forma y resistencia. No utilice equipos que no sean compatibles. Asegúrese de que todos los conectores estén totalmente cerrados y bloqueados.

Los conectores 3M (mosquetones con cierre automático y mosquetones) están diseñados para usarse solo como se indica en las instrucciones del usuario del producto. Consulte la figura 6 para ver ejemplos de conexiones incorrectas. No conecte mosquetones con cierre automático y mosquetones:

- A. A una anilla en D que tenga otro conector acoplado.
- B. De una manera que suponga una carga sobre el mecanismo de apertura. Los mosquetones con cierre automático de abertura grande no deben conectarse a anillas D de tamaño estándar o a objetos similares, ya que podrían provocar una carga sobre el gancho si el mosquetón o la anilla D se torciera o girara, a menos que el mosquetón con cierre automático venga equipado con un gancho de 16 kN (1632 kg). Compruebe las marcas del mosquetón con cierre automático para verificar que es adecuado para su aplicación.
- C. En un acoplamiento en falso, las características que se proyectan desde el mosquetón con cierre automático o el mosquetón se enganchan al anclaje y, sin confirmación visual, parecen estar bien acoplados al punto de anclaje.
- D. Entre sí.
- E. Directamente con una cincha, eslinga de cuerda o de autoamarre (a menos que en las instrucciones del fabricante, tanto para la eslinga como para el conector, se permita tal conexión).
- F. A cualquier objeto con forma o dimensión tal que el mosquetón con cierre automático o mosquetón no se cierre ni se bloquee, o que pueda soltarse.
- G. De modo que el conector no quede correctamente alineado mientras está soportando carga.

3.0 INSTALACIÓN

La instalación del sistema de anclaje con contrapeso para tejados DBI-SALA deberá ser supervisada por personal cualificado¹. Una persona competente² deberá certificar que la instalación cumple los criterios correspondientes a cualquier anclaje certificado o que tiene capacidad de soportar las fuerzas potenciales a las que podría quedar expuesta durante una caída.

3.1 PLANIFICACIÓN: Planifique su sistema de protección contra caídas antes de instalar el sistema de anclaje con contrapeso para tejados. Tenga en cuenta todos los factores que podrían afectar a su seguridad antes, en el transcurso y después de una caída. Considere la totalidad de requisitos, limitaciones y especificaciones que se definen en la sección 2 y en la Tabla 1. Determine la ubicación adecuada del sistema de anclaje con contrapeso para tejados. Deberá ser plana y estar, como mínimo, a una distancia de 2,5 m (8 ft) del borde de la estructura, o cualquier apertura como claraboyas, y lo más cerca posible del área de trabajo (Figura 7A).

3.2 INSTALACIÓN DEL SISTEMA DE ANCLAJE CON CONTRAPESO PARA TEJADOS: El sistema de anclaje con contrapeso para tejados se puede instalar en cualquier tejado que cumpla con los requisitos de anclaje especificados en la Tabla 1. Barra la ubicación de instalación para retirar materiales sueltos. Para instalar el sistema de anclaje con contrapeso para tejados (Figura 7), siga los pasos expuestos a continuación:

1. Disponga cuatro pesas base recubiertas de goma sobre la superficie plana. Se insertarán pernos en L por uno de los dos orificios en cada una de las pesas de base.
2. Levante cada pesa base y, desde la parte inferior de esta, inserte un perno en L por uno de los dos orificios que presenta. Alterne la dirección de cada perno en L.
3. Ubique provisionalmente el sistema de anclaje para tejados sobre las pesas base y los pernos en L para asegurarse de que estos están orientados correctamente en las pesas base.
4. Retire el sistema de anclaje para tejados. Apile tres pesas adicionales sobre cada pesa base de modo que los pernos en L sobresalgan a través de los orificios correspondientes de cada pesa.
5. Coloque el sistema de anclaje para tejados sobre los pernos en L y las pesas. Asegúrese de que cada uno de los pernos en L pasa por uno de los orificios de montaje de la placa base del anclaje para tejados.
6. Añada todas las capas de pesas. En el sistema de anclaje con contrapeso para tejados se utiliza un total de 20 pesas. Cada una de las cuatro pilas de pesas suele contener cinco pesas (pesa base más cuatro pesas adicionales en cada pila). Coloque una arandela y tuerca en cada uno de los pernos en L. Apriete bien a mano las cuatro tuercas.

4.0 USO

4.1 ANTES DE CADA USO: Asegúrese de que el área de trabajo así como el sistema personal de detención de caídas (PFAS) cumplan todos los criterios definidos en la sección 2 y que se haya implantado un plan de rescate oficial. Inspeccione el sistema de anclaje con contrapeso para tejados conforme a los puntos de inspección de "usuario" definidos en el "Registro de inspección y mantenimiento" (Tabla 2). No utilice el sistema si la inspección revela un estado no seguro o defectuoso. Deje de usarlo y deséchelo, o póngase en contacto con 3M para sustituirlo o repararlo.

4.2 CONECTORES DE DETENCIÓN DE CAÍDAS: El sistema de anclaje con contrapeso para tejados se usa junto con un arnés de cuerpo completo y una eslinga absorbidora de energía o un dispositivo autorretráctil (SRD). Conecte la eslinga o el SRD entre la anilla D del sistema de anclaje con contrapeso para tejados y la anilla D dorsal trasera del arnés, conforme a las instrucciones incluidas con la eslinga o el SRD.

IMPORTANTE: *Si el sistema de anclaje con contrapeso para tejados se ve sometido a las fuerzas de detención de una caída, se deberá retirar inmediatamente del servicio y ser sustituido o ser inspeccionado por un representante autorizado de Capital Safety.*

5.0 INSPECCIÓN

5.1 FRECUENCIA DE INSPECCIÓN: El sistema de anclaje con contrapeso para tejados se deberá inspeccionar en los intervalos definidos en el apartado 1. Los procedimientos de inspección se describen en el "Registro de inspección y mantenimiento" (Tabla 2). Inspeccione todos los demás componentes del sistema de protección contra caídas según las frecuencias y los procedimientos definidos en las instrucciones de sus respectivos fabricantes.

5.2 DEFECTOS: Si la inspección revela un estado poco seguro o defectuoso, deje de usar el sistema de anclaje con contrapeso para tejados inmediatamente y póngase en contacto con 3M para repararlo o sustituirlo. No intente reparar el sistema de detención de caídas.

Solo reparaciones autorizadas: *Solo 3M o las partes autorizadas por escrito pueden reparar este equipo.*

5.3 VIDA ÚTIL DEL PRODUCTO: La vida útil del sistema de detención de caídas viene determinada por las condiciones de trabajo y el mantenimiento. Siempre que el producto pase los criterios de inspección, puede seguir utilizándose.

6.0 MANTENIMIENTO, REPARACIÓN Y ALMACENAMIENTO


1 Personal cualificado: *Individuos debidamente cualificados o con certificación profesional y experiencia suficiente en sistemas de protección anticaídas. Estas personas deberán ser capaces de diseñar, analizar, evaluar y especificar sistemas de protección anticaídas.*

2 Persona competente: *Individuo que es capaz de identificar peligros existentes y predecibles en el entorno o condiciones de trabajo insalubres, nocivas o peligrosas para los/las empleados/as y que cuenta con autorización para tomar medidas correctivas rápidas conducentes a su supresión.*

- 6.1 LIMPIEZA:** Limpie los componentes de metal del sistema de anclaje con contrapeso para tejados periódicamente con un cepillo suave, agua templada y una solución jabonosa suave. Asegúrese de enjuagar perfectamente las piezas con abundante agua limpia.
- 6.2 REPARACIÓN:** Solo 3M o las partes autorizadas por escrito por 3M podrán reparar este equipo. Si el sistema de anclaje con contrapeso para tejados se ha visto sometido a fuerzas de caída, o si la inspección revela un estado poco seguro o defectuoso de este, deje de usar el sistema inmediatamente y póngase en contacto con 3M para su sustitución o reparación.
- 6.3 ALMACENAMIENTO Y TRANSPORTE:** Cuando no esté en uso, guarde y transporte el sistema de anclaje con contrapeso para tejados y el equipo de protección anticaídas correspondiente en un entorno fresco, seco y limpio, alejado de la luz solar directa. Evite zonas donde pueda haber vapores químicos. Inspeccione exhaustivamente los componentes después de un período prolongado de almacenamiento.

7.0 ETIQUETAS

En la Figura 9 se ilustran las etiquetas de que va provisto el sistema de anclaje con contrapeso para tejados. Si las etiquetas no son plenamente legibles, deberán sustituirse. La información de las etiquetas es la siguiente:

A	 Lea todas las instrucciones. 1) Año y mes de fabricación/número de lote 2) Identificación del organismo notificado 3) Norma de seguridad 4) Número de modelo del producto
---	--

Kaikki näissä ohjeissa olevat turvallisuustiedot tulee lukea sekä ymmärtää, ja niitä tulee noudattaa ennen tämän ankkurikiinnikkeen käyttöä. EDELLÄ MAINITUN LAIMINLYÖNTI VOI JOHTAA VAKAAN LOUKKAANTUMISEEN TAI KUOLEMAAN.

Nämä ohjeet tulee antaa näiden varusteiden käyttäjälle. Säilytä nämä ohjeet myöhempää tarvetta varten.

Käyttötarkoitus:

Tämä ankkurikiinnike on tarkoitettu käytettäväksi osana kokonaista henkilönsuojaimiin kuuluvaa putoamisenestojärjestelmää.

Käyttö muihin tarkoituksiin, kuten materiaalien käsittelyyn, virkistys- tai urheilutoimintaan tai muuhun sellaiseen toimintaan, joita ei käyttöohjeessa kuvata, ei ole 3M:n hyväksymää ja saattaa johtaa vakavaan loukkaantumiseen tai kuolemaan.

Tätä laitetta voivat käyttää ainoastaan koulutetut käyttäjät työskentelytarkoituksiin.

VAROITUS

Tämä ankkurikiinnike on osa henkilönsuojaimiin kuuluvaa putoamisenestojärjestelmää. Kaikkien käyttäjien odotetaan olevan täysin koulutettuja omien henkilökohtaisten putoamisenestojärjestelmiensä turvallisen asentamisen ja käytön suhteen. **Tämän laitteen väärinkäyttö saattaa johtaa vakavaan loukkaantumiseen tai kuolemaan.** Tietoja asianmukaisesta valinnasta, käytöstä, asennuksesta, ylläpidosta ja huollosta saat tutkimalla näitä käyttöohjeita ja kaikkia valmistajan suosituksia, kysymällä esimieheltäsi tai ottamalla yhteyttä 3M:n tekniseen palveluun.

- **Vähentääksesi ankkurikiinnikkeiden kanssa työskentelyyn liittyviä riskejä, jotka mahdollisesti voivat aiheuttaa vakavan loukkaantumisen tai kuoleman:**
 - Kaikki järjestelmän komponentit tulee tarkastaa ennen jokaista käyttökertaa, vähintään kerran vuodessa ja jokaisen putoamistapauksen jälkeen. Suorita tarkastus käyttöohjeiden mukaisesti.
 - Jos valtuutetussa tarkastuksessa ilmenee vaarallinen tai viallinen tila, poista laite käytöstä ja korjaa tai vaihda se käyttöohjeiden mukaisesti.
 - Kaikki laitteet, joita on käytetty putoamisen pysäyttämiseen tai joihin on kohdistunut putoamiseneston iskuvoima, tulee välittömästi poistaa käytöstä ja hävittää.
 - Laite tulee asentaa ainoastaan niille alustoille tai rakenteille, joille se on tarkoitettu ja jotka on mainittu käyttöohjeissa. Muu kuin ohjeen kuvaama asennus tai käyttö tulee hyväksyttäväksi 3M Fall Protectionilla.
 - Sen alustan tai rakenteen, johon ankkurointiliitin kiinnitetään, tulee kannattaa käyttöohjeissa ilmoitetuissa sallituissa suunnissa ankkurille määritetyt staattiset kuormat.
 - Kytke putoamiseneston alijärjestelmät ainoastaan laitteen niille määrättyyn ankkurointikiinnityskohtaan.
 - Varmista ennen poraamista tai kiinnittämistä, ettei poran tai laitteen kanssa pääse kosketuksiin sähköjohtoja, kaasujohtoja tai muita tärkeitä sisäisiä järjestelmiä.
 - Varmista, että muiden valmistajien komponenteista kootut putoamisenestojärjestelmät/alijärjestelmät ovat yhteensopivia ja täyttävät asianomaisten standardien vaatimukset, mukaan lukien ANSI Z359, tai muut sovellettavat putoamisenestokoodit, -standardit tai -vaatimukset. Ennen näiden järjestelmien käyttöä tulee aina kääntyä pätevän tai pätevidyn henkilön puoleen.
- **Vähentääksesi korkealla työskentelyyn liittyviä riskejä, jotka mahdollisesti voivat aiheuttaa vakavan loukkaantumisen tai kuoleman:**
 - Varmista, että terveydentilasi ja fyysinen kuntosi on tarpeeksi hyvä, jotta pystyt kestämään kaikki korkealla työskentelyyn liittyvät voimat. Keskustele lääkärin kanssa, mikäli sinulla on kysyttävää näiden laitteiden käyttöön liittyvistä valmiuksista.
 - Älä koskaan ylitä putoamisenestolaitteiden sallittua kapasiteettia.
 - Älä koskaan ylitä putoamisenestolaitteiden vapaan pudotuksen enimmäisetäisyyttä.
 - Älä käytä putoamisenestolaitteita, jotka eivät läpäise ennen käyttöä tehtäviä tai muita suunniteltuja tarkastuksia tai jos olet huolissasi laitteiden käytöstä tai sopivuudesta käyttötarkoitukseen. Jos sinulla on kysyttävää, ota yhteyttä 3M:n tekniseen palveluun.
 - Jotkut alajärjestelmä- ja osayhdistelmät saattavat häiritä tämän laitteen toimintaa. Käytä vain yhteensopivia liitäntöjä. Ota yhteyttä 3M:ään ennen tämän laitteen käyttöä yhdessä sellaisten osien tai alajärjestelmien kanssa, joita ei kuvata tässä käyttöohjeessa.
 - Ota käyttöön ylimääräiset varotoimenpiteet, kun työskentelet liikkuvien laitteiden (esim. öljynporaustornien koneistot), sähkövaarojen, korkeiden lämpötilojen, kemiallisten vaarojen, räjähtävien tai myrkyllisten kaasujen tai terävien reunojen läheisyydessä tai yläpuolellasi sijaitsevien materiaalien lähellä, jotka voivat pudota päällesi tai putoamisenestolaitteen päälle.
 - Käytä valokaari- tai kuumatyökaluita, kun työskentelet erittäin kuumissa ympäristöissä.
 - Vältä pintoja ja esineitä, jotka voivat vahingoittaa käyttäjää tai laitteita.
 - Varmista, että korkealla työskennellessä käytössä on riittävä putoamiskorkeus.
 - Älä koskaan muokkaa tai muuta putoamisenestolaitetta. Vain 3M tai sen kirjallisesti valtuuttamat tahot saavat tehdä korjauksia tähän laitteeseen.
 - Ennen putoamisenestolaitteiden käyttöä varmista, että käytössä on pelastussuunnitelma, jonka avulla voidaan toteuttaa nopea pelastus putoamistapaturman tapahtuessa.
 - Jos putoamistapaturma tapahtuu, hae välittömästi lääkinnällistä apua pudonneelle työntekijälle.
 - Älä käytä vartalovyötä putoamisenestosovelluksissa. Käytä ainoastaan kokovartalovaljaita.
 - Minimoi heilahtavan putoamisen mahdollisuus työskentelemällä niin suoraan ankkurointipisteen alla kuin mahdollista.
 - Mikäli laitteella harjoitellaan, on käytettävä toissijaista putoamisenestojärjestelmää tavalla, joka ei altista koulutettavaa henkilöä tahattomalle putoamiselle.
 - Käytä aina asianmukaisia henkilönsuojaimia kun asennat, käytät tai tarkastat laitetta/järjestelmää.

Merkitse ennen tämän tuotteen asennusta ja käyttöä tuotteen tunnistustiedot sen tunnusmerkinnästä tämän käyttöoppaan takana olevaan tarkastus- ja kunnossapitolokiin (taulukko 2).

TUOTEKUVAUS:

Kuvassa 1 näkyy kattotyöskentelyyn tarkoitettu 3M™ DBI-SALA™ -vastapainoankkuri. Kattotyöskentelyyn tarkoitettu vastapainoankkuri on yhden pisteen kiinnitysliitin putoamissuojausjärjestelmiä varten. Se on suunniteltu asennettavaksi tasaiselle pinnalle.

Kuvassa 2 näkyvät kattotyöskentelyyn tarkoitettujen vastapainoankkurin osat. Katso osien tekniset tiedot taulukosta 1. Kattotyöskentelyyn tarkoitettu vastapainoankkuri koostuu vastapainolevyihin (E) pultatuista ensisijaisesta tukikiinnikkeestä (A) ja kiinnityspisteestä (B) sekä kumipäällysteisistä pohjapainoista (F), jotka sisältävät L-pultteja (C) sekä muttereita ja aluslevyjä (D). Putoamissuojauksen lisäjärjestelmä kiinnitetään ensisijaisessa tukikiinnikkeessä olevaan kiinnityspisteeseen (B).

Taulukko 1 – Tekniset tiedot

Järjestelmän tekniset tiedot:			
Kapasiteetti:	yksi henkilö, jonka kokonaispaino (vaatteet, työkalut jne.) on korkeintaan 140 kg (310 lbs).		
Tuki:	<p>Putoamisen estäminen: Rakenteen, johon kiinnitysliitin asennetaan, tulee kestää putoamissuojausjärjestelmän sallimissa suunnissa staattinen kuormitus, joka on vähintään: 16,0 kN (3 600 lbs)</p> <p>Kattotyöskentelyyn tarkoitettua vastapainoankkuria ei saa käyttää huonolla säällä. Katolla ei saa olla kuuraa, lunta, seisovaa vettä, rasvaa tai öljyä eikä muun tyyppisiä voiteluaineita tai kitkaa vähentäviä aineita.</p> <p><input checked="" type="checkbox"/> Kattotyöskentelyyn tarkoitettu vastapainoankkuri on hyväksytty seuraaville kattotyypeille: betoni, bitumi ja hiottu asfaltti.</p> <p>Varmistus: Katon tulee kestää 415 kg:n staattista kuormitusta.</p>		
Mitat:	Kuvassa 1 näkyvät kattotyöskentelyyn tarkoitettujen vastapainoankkurimallin mitat.		
Tuotteen paino:	Kuvassa 1 näkyy kattotyöskentelyyn tarkoitettujen vastapainoankkurimallin paino.		
Standardit:	Testattu standardin EN 795:2012 mukaisesti		
Osien tarkat tiedot:			
Kuva 2, viite	Osa	Materiaalit:	Huomaa:
Ⓐ	Merkinnät	Polyesteri	
Ⓑ	Kiinnityspiste	Teräs	
Ⓒ	L-pultit	Teräs	
Ⓓ	Mutterit ja aluslevyt	Teräs	
Ⓔ	Vastapainolevyt	Harmaarauta	
Ⓕ	Kumipäällysteiset pohjapainot	Harmaarauta ja Plastisol	

1.0 TUOTTEEN KÄYTTÖKOHDE

1.1 TARKOITUS: Ankkurointikiinnikkeet on suunniteltu antamaan ankkurointikiinnityskohdan putoamisenesto⁻¹ ja varmistus²järjestelmille: Varmistus, työasemointi, henkilönsiirto, pelastus jne.

Vain putoamissuojaukseen: Tämä ankkurointikiinnike on tarkoitettu putoamissuojainten kiinnittämiseen. Älä kiinnitä tähän ankkurointikiinnikkeeseen nostolaitteita.

1.2 STANDARDIT: Ankkurointikiinnike täyttää ne maan ja alueen standardit, jotka on merkitty näiden ohjeiden etukanteen. Jos tätä tuotetta jälleenmyydään alkuperäisen kohdemaan ulkopuolella, jälleenmyyjän on toimitettava nämä ohjeet tuotetta käyttävän maan omalla kielellä.

1.3 VALVONTA: Tämän laitteen käyttö tulee tapahtua pätevän henkilön valvonnassa³.

1.4 KOULUTUS: Näiden varusteiden asentajien ja käyttäjien tulee olla koulutettuja oikeanlaista käyttöä varten. Tätä käyttöohjetta tulee käyttää osana CE-vaatimusten mukaista työntekijöiden koulutusohjelmaa. Varusteen käyttäjien ja asentajien vastuulla on perehtyä näihin ohjeisiin, hankkia koulutusta varusteen asianmukaisissa käyttö- ja huoltotavoissa sekä tuntea varusteen käyttöominaisuudet, käytön rajoitukset ja vääränlaisen käytön aiheuttamat seuraukset.

1.5 PELASTUSSUUNNITELMA: Työnantajalla on laitetta ja siihen liitettyjä lisäjärjestelmiä käytettäessä oltava pelastussuunnitelma ja valmiudet sekä suunnitelman toteuttamiseksi että siitä tiedottamiseksi laitteen käyttäjille, valtuutetuille henkilöille⁴ ja pelastushenkilöstölle⁵. Koulutettua, paikan päällä olevaa pelastushenkilöstöä suositellaan. Pelastushenkilöstön jäsenillä tulisi olla hallussaan onnistuneeseen pelastamiseen tarvittavat laitteet ja tekniikka. Pelastushenkilöstön riittävä määrä tulee varmistaa antamalla koulutusta säännöllisin väliajoin.

1.6 TARKASTUSTEN TIHEYS: Käyttäjän tulee tarkastaa ankkurointikiinnike ennen jokaista käyttökertaa. Tämän lisäksi jonkun toisen pätevän henkilön (muu kuin käyttäjä itse) tulee tarkastaa se vähintään vuoden välein.⁶ Tarkastustoimet on kuvattu kohdassa "Tarkastus- ja kunnossapitoloki". Kaikkien pätevän henkilön suorittamien tarkastusten tulokset tulee tallentaa tämän käyttöoppaan lopusta löytyvään "Tarkastus- ja kunnossapitolokiin".

1.7 PUTOAMISEN JÄLKEEN: Mikäli ankkurointikiinnikkeeseen kohdistuu putoamisen estämisestä aiheutunut voima, se tulee poistaa käytöstä välittömästi, merkitä selkeästi "ÄLÄ KÄYTÄ" ja sitten hävittää.

2.0 JÄRJESTELMÄVAATIMUKSET

2.1 KIINNITYS: Kiinnitysvaatimukset vaihtelevat käytettävän putoamissuojaimen mukaan. Rakenteen, johon ankkurointikiinnike sijoitetaan tai kiinnitetään tulee vastata taulukossa 1 esitettyjä kiinnitysvaatimuksia.

2.2 PUTOAMISSUOJAINJÄRJESTELMÄ: Kuva 1 näyttää tämän ankkurointikiinnikkeen käytön. Järjestelmän kanssa käytettävien putoamisen pysäyttävien järjestelmien tulee olla sovellettavien putoamissuojaimia koskevien standardien, lakien ja vaatimusten mukainen. Putoamisen pysäyttävän järjestelmän tulee sisältää kokovartalovaljaat, ja pysäytysvoima tulee rajoittaa seuraaviin arvoihin:

	Suurin sallittu pysäytysvoima	Vapaa pudotus
Iskunvaimenninköydellä varustettu putoamissuojainjärjestelmä	6 kN	Katso turvaköyden tai itsekelautuvan laitteen ohjeista vapaan pudotuksen rajoitukset.
Itsekelautuvalla laitteella varustettu putoamissuojainjärjestelmä	6 kN	

2.3 PUTOAMISREITTI JA ITSEKELAUTUVAN LAITTEEN LUKITTUMISNOPEUS: Itsekelautuva laite vaatii lukkiutuakseen esteettömän väylän. Vältä tilanteita, joissa esteetön putoaminen ei ole mahdollista. Työskentely ahtaissa tai kapeissa tiloissa saattaa estää kehoa saavuttamasta riittävää putoamisnopeutta itsekelautuvan laitteen lukittumiselle putoamistilanteessa. Hiekan tai viljan kaltaisten hitaasti liikkuvien materiaalien päällä työskentely ei välttämättä mahdollista riittävää nopeutta itsekelautuvan laitteen lukittumiseksi.

2.4 VAARAT: Näiden varusteiden käyttö vaarallisissa ympäristöissä voi vaatia ylimääräisiä turvajärjestelyjä, jotta estetään käyttäjän vammautuminen ja varusteiden vahingoittuminen. Vaaratekijöitä voivat olla muun muassa kuumuus, kemikaalit, syövyttävät ympäristöt, korkeajännitelinjat, räjähtävät tai myrkylliset kaasut, liikkuvat koneet, terävät reunat tai korkealla olevat, mahdollisesti putoavat ja käyttäjään tai putoamissuojainjärjestelmään osuvat materiaalit.

2.5 VAPAA PUTOAMISKORKEUS: Kuvassa 3 on esitetty putoamisenestojärjestelmän osat. Käyttäjän alapuolella tulee olla riittävästi tyhjää tilaa, jotta putoaminen pysähtyisi, ennen kuin käyttäjä osuu maahan tai muuhun esteeseen. Tyhjän tilan kokoon vaikuttavat monet tekijät, kuten Kiinnityspaikka, (A) taljaköyden pituus, (B) taljaköyden vauhdin hidastusmatka tai itsekelautuvan taljaköyden suurin pysähtymismatka, (C) valjaiden venyminen ja D-renkaan tai liittimen pituus ja liikkeen pysähtymismatka. Katso putoamistilan laskentaa koskevat määräykset putoamiseneston lisäjärjestelmän ohjeista.

2.6 HEILAHDUSPUTOAMISET: Putoaminen tapahtuu heilahtamalla, jos ankkurointipiste ei ole suoraan putoamiskohdan

1 Putoamisenestojärjestelmä: Putoamissuojainmallisto vapaan pudotuksen pysäyttämiseen.

2 Varmistusjärjestelmä: Putoamissuojainmallisto, joka ehkäisee työntekijän painopisteen menettämistä ja putoamisvaaran syntymistä.

3 Pätevä henkilö: Henkilö, joka pystyy tunnistamaan olemassa olevat ja ennustettavat vaaratekijät ympäristössä tai työolosuhteissa, jotka ovat vaarallisia, epähygieenisia tai vaarallisia työntekijöille, ja jolla on valtuudet ryhtyä toimiin niiden poistamiseksi.

4 Valtuutettu henkilö: Työnantajan määräämä henkilö, joka suorittaa tehtäviä sellaisessa paikassa, jossa henkilöt altistuvat putoamisvaaralle.

5 Pelastaja: Muu kuin pelastettava henkilö tai pelastettavat henkilöt, jotka avustavat pelastustyössä käyttäen pelastusjärjestelmää.

6 Tarkastusväli: Äärimmäiset työolosuhteet (vaativat ympäristöt, pitkäaikainen käyttö jne.) voivat vaatia tarkastusten suorittamista pätevän henkilön toimesta useammin.

yläpuolella (katso kuva 4). Iskeytyminen esteeseen heilahtavassa putoamisessa voi aiheuttaa vakavan vamman tai kuoleman. Minimoi heilahtavan putoamisen mahdollisuus työskentelemällä niin suoraan ankkurointipisteen alla kuin mahdollista. Älä salli heilahtavaa putoamista, jos se voi aiheuttaa vamman. Heilahtavat putoamiset lisäävät huomattavasti tarvittavaa liikkumavaraa, kun käytetään itsestään kelautuvaa laitetta tai muuta vaihtelevan mittaista kiinnitysjärjestelmää.

2.7 OSIEN YHTEENSOPIVUUS: 3M-laitteet on tarkoitettu käytettäväksi 3M:n hyväksymien osien ja alajärjestelmien kanssa. Osien vaihtaminen ja korvaaminen muihin kuin hyväksytyihin osiin ja alajärjestelmiin voi vaarantaa laitteiston yhteensopivuuden sekä vaikuttaa koko järjestelmän turvallisuuteen ja luotettavuuteen.

2.8 LIITTIMIEN YHTEENSOPIVUUS: Liittimiä pidetään yhteensopivina liitettävien osien kanssa, kun ne on suunniteltu toimimaan yhdessä siten, että niiden koko ja muoto eivät aiheuta lukkomekanismien tahatonta aukeamista riippumatta niiden asennosta. Ota yhteyttä 3M:ään, jos sinulla on kysyttävää yhteensopivuudesta.

Liittimien tulee noudattaa EN 362 -standardia. Liittimien tulee olla yhteensopivia ankkuroinnin ja muiden järjestelmän osien kanssa. Älä käytä yhteensopimattomia varusteita. Ei-yhteensopivat liittimet voivat irrota vahingossa (katso kuva 5). Liittimien on oltava kooltaan, muodoltaan ja vahvuudeltaan yhteensopivia. Jos osa, johon jousihaka tai karbiinihaka kiinnitetään, on liian pieni tai epäsäännöllisen muotoinen, on mahdollista, että kiinnitetty osa kohdistaa voimaa jousihaan tai karbiinihaan lukitusosaan (A). Tämä voima saattaa aiheuttaa kidan avautumisen (B) ja päästää jousihaan tai karbiinihaan irtoamaan kiinnityspisteestä (C).

2.9 KYTKEMINEN: Näiden varusteiden kanssa käytettävien jousihakojen ja karbiinihakojen tulee olla itselukittuvia. Varmista, että kaikki liittimet ovat yhteensopivia kooltaan, muodoltaan ja lujuudeltaan. Älä käytä yhteensopimattomia varusteita. Varmista, että kaikki liittimet ovat täysin suljettuja ja lukittuja.

3M:n liittimet (jousihaat ja karbiinit) on suunniteltu käytettäväksi vain kyseisten tuotteiden käyttöohjeissa kuvatulla tavalla. Katso kuvasta 6 esimerkkejä vääristä liitännöistä. Jousihakoja tai karabiineja ei saa kiinnittää:

- A. D-renkaaseen, johon on kiinnitetty toinen liitin.
- B. siten, että lukitusosaan kohdistuu kuorma. Isoleukaisia jousihakoja ei tule kiinnittää vakiokoon D-renkasiin tai vastaaviin osiin, jotka aiheuttavat kidan kuormittumista, jos haka tai D-rengas kääntyy tai pyörii, ellei jousihaassa ole 16 kN:n (1 633 kg) kita. Tarkista jousihaassa oleva merkintä varmistaaksesi, että se sopii käyttötarkoitukseesi.
- C. virheellisesti siten, että säppihaan tai karabiinin ulospäin työntyvät osat tarttuvat ankkuriin, ja joka näyttää täysin kiinnitetyltä ankkuripisteeseen, jollei sitä tarkasteta silmämääräisesti.
- D. toisiinsa.
- E. suoraan punokseen tai köyteen tai ympärysköyteen (ellei sekä köyden että liittimen valmistajan ohjeissa nimenomaan sallita tällaista liitosta)
- F. mihin tahansa esineeseen, joka on muodoltaan tai kooltaan sellainen, että säppihaaka tai karabiini ei sulkeudu ja lukitu tai että haka voi tippua pois.
- G. siten, että liitin ei kuormattuna pysty asettumaan oikein.

3.0 ASENNUS

Pätevän henkilön¹ tulee valvoa kattotyöskentelyyn tarkoitettujen DBI-SALA-vastapainoankkurin asennusta. Pätevän henkilön² tulee sertifioida asennus sertifioidun kiinnityksen kriteerit täyttäväksi tai siten, että asennus kestää putoamisen aikana siihen kohdistuvan voiman.

3.1 SUUNNITTELU: Putoamissuojajärjestelmä tulee suunnitella ennen kattotyöskentelyyn tarkoitettujen vastapainoankkurin asentamista. Ota huomioon kaikki tekijät, jotka voivat vaikuttaa turvallisuuteen ennen putoamista, sen aikana ja sen jälkeen. Ota huomioon kaikki osioissa 2 ja taulukossa 1 luetellut vaatimukset, rajoitukset ja tekniset tiedot. Selvitä sopiva sijoituspaikka kattotyöskentelyyn tarkoitettulle vastapainoankkurille. Paikan tulee olla tasainen ja vähintään 2,5 m (8 jalkaa) rakenteen reunasta (tai aukoista, kuten kattoikkunat) ja mahdollisimman lähellä työskentelyaluetta (kuva 7A).

3.2 KATTOTYÖSKENTELYYN TARKOITETUN VASTAPAINOANKKURIN ASENNUS: Kattotyöskentelyyn tarkoitettu vastapainoankkuri voidaan asentaa taulukossa 1 ilmoitettujen kiinnitysvaatimusten mukaisiin kattoihin. Poista asennuspaikasta kaikki irrallinen aines lakaisemalla. Kattotyöskentelyyn tarkoitettujen vastapainoankkurin asennus (kuva 7):

1. Levitä neljä kumipäällysteistä pohjapainoa tasaiselle pinnalle. Kussakin pohjapainossa on kaksi reikää; L-pultit pujotetaan yhdestä reiästä läpi.
2. Nosta kutakin pohjapainoa ja pujota painon pohjasta L-pultti yhden reiän läpi; kussakin painossa on kaksi reikää. Aseta L-pultit vuorosuurin.
3. Laita kattotyöskentelyankkuri tilapäisesti pohjapainojen ja L-pulttien päälle sen varmistamiseksi, että L-pultit on suunnattu oikein pohjapainoissa.
4. Ota kattotyöskentelyankkuri pois. Pinoa kolme ylimääräistä painoa kunkin pohjapainon päälle hyödyntäen kunkin painon vastaavista rei'istä ulostyöntäviä L-pultteja.
5. Asettele kattotyöskentelyankkuri L-pulttien ja painojen päälle. Varmista, että kukin L-pultti kulkee yhden kattotyöskentelyankkurin pohjalevyssä olevan reiän läpi.
6. Lisää kaikki painokerrokset. Kattotyöskentelyyn tarkoitettuun vastapainoankkuriin käytetään yhteensä 20 painoa. Kussakin neljän painon pinossa on viisi painoa (pohjapaino sekä neljä ylimääräistä painoa kussakin pinossa). Kiinnitä jokaiseen L-pulttiin aluslevy ja mutteri. Kiristä kaikki neljä mutteria tiukkaan käsin.

4.0 KÄYTTÖ

4.1 ENNEN JOKAISTA KÄYTTÖKERTAA: Varmista että työskentelyalue ja putoamisenestojärjestelmä täyttävät kaikki osiossa 2 esitetyt vaatimukset, ja että käytössä on pelastussuunnitelma. Tarkasta kattotyöskentelyyn tarkoitettu vastapainoankkuri "tarkastus- ja kunnossapitolokissa" (taulukko 2) lueteltujen "käyttäjän" tarkastuspisteiden mukaisesti. Jos järjestelmä todetaan tarkastuksessa turvallisuudelle vaaralliseksi tai vialliseksi, ei sitä saa käyttää. Poista järjestelmä käytöstä, hävitä se ja ota yhteyttä 3M:ään korvaavan tuotteen tai korjauksen järjestämiseksi.

4.2 PUTOAMISENESTOKIINNITYKSET: Kattotyöskentelyyn tarkoitettua vastapainoankkuria käytetään kokovartalovaljaiden ja nykäystä vaimentavan turvahihnan tai itsekelaavan laitteen kanssa. Kiinnitä turvahihna tai itsekelaava laite kattotyöskentelyyn tarkoitettujen vastapainoankkurin D-renkaaseen ja valjaiden selkäpuolen D-renkaaseen turvahihnan tai itsekelaavan laitteen ohjeiden mukaisesti.

TÄRKEÄÄ: *Mikäli kattotyöskentelyyn tarkoitettuun vastapainoankkuriin kohdistuu putoamisen pysäyttämisen aiheuttamaa voimaa, tulee laite poistaa käytöstä välittömästi ja korvata tai tarkistuttaa valtuutetulla Capital Safety-edustajalla.*

5.0 TARKASTUS

5.1 TARKASTUSTEN TIHEYS: Kattotyöskentelyyn tarkoitettu vastapainoankkuri tulee tarkastaa kohdassa 1 annettujen tarkastusvälien mukaisesti. Tarkastustoimet on kuvattu kohdassa "Tarkastus- ja kunnossapitoloki" (taulukko 2). Tarkasta kaikki muut putoamisenestojärjestelmän osat valmistajan ohjeiden mukaisten väliaikojen ja käytäntöjen mukaan.

5.2 VIAT: Mikäli tarkastuksessa käy ilmi, että kattotyöskentelyyn tarkoitettu vastapainoankkuri on vaarallinen tai viallinen, tulee se poistaa käytöstä välittömästi ja ottaa yhteyttä 3M:ään korvaavan osan tai korjauksen järjestämiseksi. Älä yritä korjata putoamisenestojärjestelmää itse.

Vain valtuutetut huollot: *Vain 3M tai sen kirjallisesti valtuuttamat tahot saavat tehdä korjauksia tähän laitteeseen.*

5.3 TUOTTEEN KÄYTTÖIKÄ: Putoamisenestojärjestelmän toiminnallinen ikä määräytyy käyttöolosuhteiden ja huollon mukaan. Tuotetta voidaan käyttää niin kauan kuin se läpäisee tarkastuskriteerit.

6.0 HUOLTO, KUNNOSSAPITO JA SÄILYTYS

6.1 PUHDISTUS: Kattotyöskentelyyn tarkoitettujen vastapainoankkurin metalliosat tulee puhdistaa säännöllisesti pehmeällä harjalla, lämpimällä vedellä ja miedolla saippualliuoksella. Varmista, että osat huuhdellaan huolellisesti puhtaalla vedellä.

6.2 HUOLTO: Vain 3M tai sen kirjallisesti valtuuttamat tahot saavat tehdä korjauksia tähän laitteeseen. Mikäli kattotyöskentelyyn tarkoitettuun vastapainoankkuriin on kohdistunut putoamisvoimaa tai tarkastuksessa käy ilmi,

että se on vaarallinen tai viallinen, tulee se poistaa käytöstä ja ottaa yhteyttä 3M:ään korvaavan osan tai korjauksen järjestämiseksi.

6.3 SÄILYTYS JA KULJETUS: Kun kattotyöskentelyyn tarkoitettu vastapainoankkuri ei ole käytössä, varustetta ja siihen liittyviä laitteita tulee säilyttää viileässä, kuivassa ja puhtaassa ympäristössä suojassa suoralta auringonvalolta. Myös kuljetuksen tulee tapahtua edellä mainituissa olosuhteissa. Vältä alueita, joilla saattaa esiintyä kemiallisia höyryjä. Tarkasta osat huolellisesti pitkän säilytysajan jälkeen.

7.0 MERKINNÄT

Kuvassa 9 näkyvät kattotyöskentelyyn tarkoitettuun vastapainoankkuriin kiinnitetyt merkinnät. Merkinnät tulee uusia, jos ne eivät ole täysin luettavissa. Kaikissa merkinnöissä on seuraavat tiedot:

A	Lue kaikki ohjeet. 1) valmistusvuosi ja -kuukausi / eränumero 2) ilmoitetun laitoksen tunnus 3) turvallisuusstandardi 4) tuotteen mallinumero
---	--

CONSIGNES DE SÉCURITÉ

Veillez lire, prendre connaissance et suivre toutes les consignes de sécurité contenues dans ces instructions avant d'utiliser ce connecteur d'ancrage. LE NON-RESPECT DE CES INSTRUCTIONS PEUT CAUSER DES BLESSURES GRAVES OU LA MORT.

Ces instructions doivent être transmises à l'utilisateur de cet équipement. Conservez ces instructions pour vous y référer ultérieurement.

Utilisation prévue :

Ce connecteur d'ancrage est conçu pour être utilisé comme un élément d'un système antichute individuel complet.

Toute utilisation pour d'autres applications, y compris, mais sans s'y limiter, la manutention de matériaux, des activités de loisirs ou sportives, ou d'autres activités non décrites dans les instructions d'utilisateurs, n'est pas approuvée par 3M et pourrait entraîner des blessures graves ou mortelles.

Ce dispositif ne doit être utilisé que par des utilisateurs formés pour des applications sur le lieu de travail.



AVERTISSEMENT

Ce connecteur d'ancrage fait partie d'un système antichute individuel complet. Tous les utilisateurs doivent être solidement formés à l'installation et au fonctionnement sécurisés de leur système antichute individuel. **Une mauvaise utilisation de ce dispositif pourrait entraîner des blessures graves ou être mortelle.** Pour ne faire aucune erreur dans la sélection, le fonctionnement, l'installation, la maintenance et l'entretien, suivez ces instructions d'utilisateur et toutes les recommandations du fabricant, consultez un superviseur ou contactez le service technique 3M.

- **Pour réduire les risques associés au travail avec un connecteur d'ancrage qui, en l'absence de protection, pourraient entraîner des blessures graves ou mortelles :**
 - Inspectez le dispositif avant chaque utilisation, au moins une fois par an, et après chaque chute. Procédez à l'inspection conformément aux instructions d'utilisation.
 - Si l'inspection effectuée fait apparaître un défaut ou un danger, retirez immédiatement le dispositif du service et réparez-le ou remplacez-le en respectant les instructions d'utilisation.
 - Tout dispositif ayant été soumis à un arrêt de chute ou à une force d'impact doit immédiatement être mis hors service et détruit.
 - Le dispositif ne doit être installé que dans les substrats spécifiés ou sur les structures détaillées dans les consignes d'utilisation. Les installations et utilisations non conformes à ces consignes doivent être approuvées par 3M Fall Protection.
 - Le substrat auquel ou la structure à laquelle le connecteur d'ancrage est fixé doit être capable de résister aux charges statiques spécifiées pour l'ancrage dans les orientations autorisées indiquées dans les instructions d'utilisation.
 - Reliez uniquement d'autres sous-systèmes de protection antichute au point du connecteur d'ancrage désigné sur le dispositif.
 - Avant de procéder au perçage ou à la fixation, vérifiez qu'aucune ligne électrique, conduite de gaz ou tout autre système critique intégré ne sera touché par la perceuse ou le dispositif.
 - Assurez-vous que les systèmes/sous-systèmes antichute assemblés avec des composants provenant de divers fabricants sont compatibles et respectent les exigences des normes applicables, y compris la norme ANSI Z359 ou d'autres codes, normes ou contraintes de protection contre les chutes. Consultez systématiquement une personne compétente ou qualifiée avant l'utilisation de ces systèmes.
 - N'utilisez pas inspectez vérifiez N'utilisez pas Installez toujours Installez toujours jamais fixez Utilisez Vérifiez toujours
- **Pour réduire les risques associés au travail en hauteur qui, faute de protection, peuvent entraîner des blessures graves ou mortelles :**
 - Assurez-vous que votre santé et votre condition physique vous permettent de supporter en toute sécurité les forces associées au travail en hauteur. Consultez votre médecin si vous avez des questions concernant votre aptitude à utiliser cet équipement.
 - Ne dépassez jamais les limites autorisées pour votre équipement antichute.
 - Ne dépassez jamais la distance de chute libre maximale de votre équipement antichute.
 - N'utilisez aucun équipement antichute qui n'a pas satisfait aux inspections avant utilisation ou aux autres inspections programmées, ou si vous avez des préoccupations concernant l'utilisation ou la compatibilité de l'équipement avec votre application. Contactez les services techniques de 3M si vous avez des questions.
 - Certaines combinaisons de sous-systèmes et de composants peuvent gêner le fonctionnement de cet équipement. Utilisez uniquement des raccords compatibles. Consultez 3M avant d'utiliser cet équipement conjointement avec des composants ou des sous-systèmes autres que ceux décrits dans les instructions d'utilisation.
 - Soyez particulièrement vigilant(e) lorsque vous travaillez autour des machines en mouvement (par exemple, les mécanismes d'entraînement par le haut des plates-formes pétrolières), en cas de risques électriques, de températures extrêmes, de risques chimiques, en présence de gaz explosifs ou toxiques, d'arêtes vives, ou de matériaux suspendus pouvant chuter sur vous ou sur l'équipement.
 - Utilisez des dispositifs de protection contre les arcs électriques ou conçus pour le travail à température élevée dans les environnements à chaleur intense.
 - Évitez les surfaces et les objets qui peuvent endommager l'utilisateur ou l'équipement.
 - Vérifiez que vous disposez d'une distance d'arrêt adaptée lorsque vous travaillez en hauteur.
 - Ne modifiez ni n'altérez jamais votre équipement antichute. Seul 3M ou les parties agréées par écrit par 3M peuvent réparer cet équipement.
 - Avant l'utilisation d'un équipement antichute, vérifiez qu'un plan de sauvetage est mis en place et qu'il permettra d'effectuer un sauvetage rapide si une chute se produit.
 - En cas de chute, faites immédiatement intervenir un médecin auprès du travailleur qui est tombé.
 - N'utilisez pas de ceinture de travail pour les applications de prévention antichute. Utilisez uniquement un harnais intégral.
 - Réduisez le risque d'effets pendulaires en travaillant autant que possible directement sous le point d'ancrage.
 - Lors de la formation à l'utilisation de ce dispositif, vous devez utiliser un système antichute secondaire afin de ne pas exposer la personne formée à un risque de chute involontaire.
 - Portez toujours un équipement de protection individuelle approprié lors de l'installation, de l'utilisation ou de l'examen du dispositif/système.

Avant d'installer et d'utiliser cet équipement, enregistrer les informations d'identification du produit, indiquées sur l'étiquette d'identification, dans le Journal d'inspection et d'entretien (Tableau 2) figurant au dos du présent manuel.

DESCRIPTION DU PRODUIT :

La Figure 1 illustre le dispositif d'ancrage à contrepoids de toiture 3M™ DBI-SALA™. Le dispositif d'ancrage à contrepoids de toiture est un connecteur d'ancrage à point unique destiné aux équipements de protection individuelle (EPI) antichute conçu pour être installé sur une surface plane.

La Figure 2 illustre le dispositif d'ancrage à contrepoids de toiture. Les spécifications des composants figurent dans le Tableau 1. Le dispositif d'ancrage à contrepoids de toiture est composé d'un Point d'ancrage porteur principal (A) et d'un Point de fixation (B) vissés sur les Plaques de contrepoids (E) et les Poids de base à revêtement de caoutchouc (F) à l'aide des Boulons (C) et des Écrous et Rondelles (D). Le Sous-système antichute est relié au Point de fixation (B) sur le Dispositif d'ancrage porteur principal.

Tableau 1 – Spécifications

Spécifications du système :	
Capacité :	1 personne au poids combiné (vêtements, outils, etc.) de 140 kg (310 lb) maximum.
Ancrage :	<p>Antichute : La structure sur laquelle un connecteur d'ancrage est fixé doit supporter des charges statiques appliquées dans les directions permises par le dispositif antichute d'au moins : 16 kN (1 632 kg, 3 600 lb).</p> <p>Le dispositif d'ancrage à contrepoids de toiture ne doit pas être utilisé si les conditions météorologiques sont mauvaises. La surface de la toiture doit être exempte de gel, de neige, de flaques d'eau, de graisse ou d'huile ou de toute substance lubrifiante ou de réduction d'adhésion.</p> <div style="border: 1px solid black; padding: 2px; margin: 5px 0;"> <input checked="" type="checkbox"/> L'utilisation du dispositif d'ancrage à contrepoids de toiture est approuvée pour les types suivants de toiture : béton, bitume et asphalte sablé. </div> <p>Dispositif de retenue : La toiture doit pouvoir supporter une charge statique de 415 kg (915 lb).</p>
Dimensions :	Voir la Figure 1 pour connaître les dimensions du modèle du dispositif d'ancrage à contrepoids de toiture.
Poids du produit :	Voir la Figure 1 pour connaître le poids du modèle du dispositif d'ancrage à contrepoids de toiture.
Normes :	Testé conformément à la norme EN 795:2012

Spécifications des composants :			
Figure 2 Référence	Composant	Matériaux	Remarque :
(A)	Étiquettes	Polyester	
(B)	Point de fixation	Acier	
(C)	Boulons en L	Acier	
(D)	Écrous et rondelles	Acier	
(E)	Plaques de contrepoids	Fonte grise	
(F)	Poids de base à revêtement en caoutchouc	Fonte grise et plastisol	

1.0 APPLICATION PRODUIT

- 1.1 OBJECTIF :** les connecteurs d'ancrage sont conçus pour fournir des points de connexion d'ancrage pour les systèmes antichute¹ ou les dispositifs de retenue² : dispositif de retenue, maintien en position de travail, harnais personnel, sauvetage, etc.

Protection contre les chutes uniquement : ce connecteur d'ancrage sert à la connexion des équipements antichute. Ne connectez pas des équipements de levage à ce connecteur d'ancrage.

- 1.2 NORMES :** votre connecteur d'ancrage est conforme aux normes nationales ou régionales présentées sur la page de couverture de ces instructions. Si ce produit est revendu en dehors du pays de destination d'origine, le revendeur doit fournir ces instructions dans la langue du pays où il sera utilisé.
- 1.3 SUPERVISION :** l'utilisation de cet équipement doit être supervisée par une personne compétente³.
- 1.4 FORMATION :** cet équipement doit être installé et utilisé par des personnes formées à cet effet. Ce manuel doit être utilisé dans le cadre du programme de formation des employés, tel que requis par les normes CE. Il relève de la responsabilité des utilisateurs et des installateurs de cet équipement de s'assurer qu'ils se sont familiarisés avec ces instructions, qu'ils ont été formés à l'entretien et à l'utilisation corrects du matériel et qu'ils ont connaissance des caractéristiques de fonctionnement, des limites d'application et des conséquences d'une mauvaise utilisation.
- 1.5 PLAN DE SAUVETAGE :** avant d'utiliser cet équipement et de connecter le(s) sous-système(s), l'employeur devra disposer d'un plan de sauvetage et de moyens disponibles permettant sa mise en œuvre et le communiquer aux utilisateurs, aux personnes agréées⁴ et aux sauveteurs⁵. Il est recommandé de mettre en place une équipe, adéquatement formée, de sauvetage sur site. Il conviendra de mettre à la disposition des membres de l'équipe l'équipement et les moyens techniques nécessaires à la bonne exécution d'une opération de sauvetage. La formation devra être dispensée sur une base régulière afin de garantir le niveau de compétence des sauveteurs.
- 1.6 FRÉQUENCE D'INSPECTION :** le connecteur d'ancrage doit être inspecté par l'utilisateur avant chaque utilisation et, par ailleurs, par une personne compétente autre que l'utilisateur à des intervalles inférieurs à un an.⁶ Les procédures d'inspection sont décrites dans le « *Journal d'inspection et d'entretien* ». Les résultats de chaque inspection effectuée par une personne compétente doivent être enregistrés dans des exemplaires du « *Journal d'inspection et d'entretien* ».
- 1.7 APRÈS UNE CHUTE :** si le connecteur d'ancrage est soumis aux forces d'un arrêt de chute, il devra immédiatement être mis hors service, être clairement libellé « NE PAS UTILISER » et être détruit.

2.0 CARACTÉRISTIQUES DU SYSTÈME

- 2.1 ANCRAGE :** les exigences en matière d'ancrage varient en fonction de l'utilisation du dispositif antichute. La structure sur laquelle le connecteur d'ancrage est posé ou installé doit satisfaire aux spécifications d'ancrage reprises dans le Tableau 1.
- 2.1 ÉQUIPEMENT DE PROTECTION INDIVIDUELLE (EPI) ANTICHUTE :** la Figure 1 illustre l'application de ce connecteur d'ancrage. Les équipements de protection individuelle (EPI) antichute utilisés avec le système doivent être conformes aux normes, codes et réglementations applicables en matière de protection contre les chutes. L'équipement de protection individuelle (EPI) antichute doit intégrer un harnais intégral et limiter la force d'arrêt aux valeurs suivantes :

	Force d'arrêt maximale	Chute libre
Équipement de protection individuelle (EPI) antichute avec longe antichute	6 kN (1350 lb)	Vous trouverez les limites de chute libre dans les instructions fournies avec votre longe ou votre dispositif antichute à rappel automatique.
Équipement de protection individuelle (EPI) antichute avec dispositif antichute à rappel automatique (Self Retracting Device, SRD)	6 kN (1350 lb)	

- 2.3 CHEMIN DE CHUTE ET VITESSE DE BLOCAGE DU DISPOSITIF DE SÉCURITÉ AUTORÉTRACTABLE :** un environnement dégagé est indispensable pour assurer un verrouillage correct du dispositif de sécurité autorétractable. Les situations qui ne permettent pas un chemin de chute dégagé doivent être évitées. Travailler dans des espaces confinés ou restreints ne permet pas toujours au corps d'atteindre une vitesse suffisante pour que le SRD se verrouille en cas de chute. Travailler sur des matériaux légèrement instables, comme le sable ou le gravier, risque également de ne pas permettre une vitesse suffisante pour occasionner le verrouillage du dispositif de sécurité autorétractable.
- 2.4 RISQUES :** l'utilisation de cet équipement dans des zones à risque environnemental peut nécessiter des précautions supplémentaires pour éviter tout risque de blessures corporelles de l'utilisateur ou de dommages matériels. Ces risques comprennent, sans s'y limiter : chaleur, produits chimiques, environnements corrosifs, lignes à haute tension, gaz explosifs ou toxiques, engins en mouvement, arêtes vives ou matériaux situés plus haut pouvant tomber et toucher l'utilisateur ou le dispositif antichute individuel.

- 2.5 DISTANCE D'ARRÊT :** la figure 3 illustre les principaux composants d'un dispositif antichute. Prévoir une distance

1 Dispositif antichute : un ensemble de dispositifs antichute configurés pour retenir une chute libre.

2 Dispositif de retenue : un ensemble de dispositifs antichute configurés pour empêcher le centre de gravité d'une personne d'atteindre le point de risque de chute.

3 Personne compétente : personne capable d'identifier des dangers existants et prévisibles dans les milieux de travail, ou des conditions de travail non hygiéniques ou dangereuses pour les ouvriers, et ayant l'autorisation de prendre des mesures correctives rapides pour les éliminer.

4 Personne agréée : personne désignée par l'employeur pour effectuer des tâches sur un site où elle sera exposée à un risque de chute.

5 Sauveteur : personne(s) autre(s) que la personne secourue, chargée(s) d'effectuer un sauvetage au moyen d'un équipement de sauvetage.

6 Fréquence d'inspection : des conditions de travail extrêmes (environnement hostile, utilisation prolongée, etc.) peuvent nécessiter des inspections plus fréquentes par une personne compétente.

d'arrêt suffisante pour arrêter une chute avant que l'utilisateur ne touche le sol ou un autre obstacle. La distance d'arrêt est affectée par plusieurs facteurs, dont : emplacement de l'ancrage, (A) longueur de la longe, (B) distance de décélération de la longe ou distance d'arrêt maximum du SRD, (C) capacité d'étirement du harnais et longueur et emplacement du D d'accrochage/du connecteur. Consultez les instructions fournies avec votre sous-dispositif antichute pour plus de détails concernant le calcul de la distance d'arrêt en cas de chute.

2.6 CHUTES AVEC EFFET PENDULAIRE : les chutes avec effet pendulaire se produisent lorsque le point d'ancrage ne se trouve pas directement au-dessus du point de chute (voir la Figure 4). La force de la collision avec un objet lors d'une chute avec effet pendulaire peut occasionner des blessures graves voire la mort. Réduisez le risque d'effets pendulaires en travaillant autant que possible directement sous le point d'ancrage. Évitez les chutes avec effet pendulaire si des risques de blessure existent. Les chutes avec effet pendulaire augmentent fortement les distances d'arrêt nécessaires lorsqu'un dispositif de rappel automatique ou un autre sous-système de raccordement de longueur variable est utilisé.

2.7 COMPATIBILITÉ DES COMPOSANTS : l'équipement 3M est destiné à être utilisé uniquement avec des composants et des sous-systèmes agréés 3M. La substitution ou le remplacement de pièces par des composants ou des sous-composants non approuvés peut compromettre la compatibilité de l'équipement et affecter la sécurité et la fiabilité de l'ensemble du système.

2.8 COMPATIBILITÉ DU CONNECTEUR : les connecteurs sont considérés comme compatibles avec les éléments de raccordement lorsqu'ils ont été conçus de sorte que ni leur taille ni leur forme ne provoquent l'ouverture spontanée de leur mécanisme d'ouverture, quelle que soit leur orientation. Pour toute question concernant la compatibilité, veuillez contacter 3M.

Les connecteurs doivent être conformes à la norme EN 362. Les connecteurs doivent être compatibles avec l'ancrage ou tout autre composant du dispositif. Ne pas utiliser un équipement non compatible. Les connecteurs non compatibles peuvent se désengager accidentellement (voir figure 5). Les connecteurs doivent être compatibles par leur taille, leur forme et leur résistance. Si l'élément de raccordement est doté d'un mousqueton trop petit ou de forme irrégulière, il se peut que l'élément de raccordement applique une force sur le mécanisme d'ouverture du mousqueton (A). Cette force pourrait entraîner l'ouverture du mécanisme (B) et provoquer le détachement du mousqueton de son point de raccordement (C).

2.9 RACCORDEMENT : les mousquetons utilisés avec cet équipement doivent être autobloquants. Vérifier que toutes les connexions sont compatibles en taille, en forme et en résistance. Ne pas utiliser un équipement non compatible. Vérifier que tous les connecteurs sont bien fermés et verrouillés.

Les connecteurs 3M (mousquetons) sont destinés à être utilisés uniquement selon les instructions de chacun des produits. La figure 6 montre quelques exemples de raccords inappropriés. Ne pas raccorder les mousquetons :

- A. à un D d'accrochage auquel un autre connecteur est attaché ;
- B. d'une manière qui provoquerait une charge sur l'ouverture. Les crochets à ressort à grande ouverture ne doivent pas être raccordés à des D d'accrochage de taille standard ou à des objets similaires qui provoqueraient une charge sur l'ouverture si le connecteur ou le D d'accrochage venait à tourner, sauf si le mousqueton est équipé d'une ouverture de 16 kN (3 600 lb). Vérifiez le marquage sur votre mousqueton afin de vous assurer qu'il convient à votre application ;
- C. Dans une configuration défectueuse où des éléments dépassant du mousqueton s'accrochent à l'ancrage et où on pourrait penser, sans confirmation visuelle, que la fixation au point d'ancrage est correcte ;
- D. l'un à l'autre ;
- E. directement à des sangles, à une longe ou à un point d'ancrage (à moins que les instructions du fabricant pour la longe et le connecteur n'autorisent spécifiquement ce type de raccordement) ;
- F. à un objet ayant une forme ou une dimension empêchant la fermeture et le verrouillage du mousqueton, ou risquant de provoquer un désengagement ;
- G. d'une manière qui ne permet pas le bon alignement du connecteur lorsqu'il est sous charge.

3.0 INSTALLATION

L'installation du dispositif d'ancrage à contrepoids de toiture DBI-SALA doit être supervisée par une personne qualifiée¹. L'installation doit être certifiée par une personne compétente² comme étant conforme aux critères correspondant à un ancrage certifié et capable de supporter les forces potentielles qui pourraient survenir durant une chute.

3.1 PRÉPARATION : Préparez votre système de protection contre les chutes avant d'installer le dispositif d'ancrage à contrepoids de toiture. Prendre en compte tous les facteurs qui pourraient affecter la sécurité avant, pendant et après une chute. Prendre en considération toutes les exigences, spécifications et limites définies dans la Section 2 et le Tableau 1. Déterminer l'emplacement approprié du dispositif d'ancrage à contrepoids de toiture. Il doit être plat et à une distance d'au moins 2,5 m du bord de la structure, ou d'une ouverture telle qu'une lucarne et aussi proche que possible de la zone de travail (Figure 7A).

3.2 INSTALLATION DU DISPOSITIF D'ANCRAGE À CONTREPOIDS DE TOITURE : Le dispositif d'ancrage à contrepoids de toiture peut être installé sur toute toiture conforme aux exigences en matière d'ancrage spécifiées dans le tableau 1. Balayer l'emplacement de l'installation afin d'éliminer tous matériaux détachés. Pour installer le dispositif d'ancrage à contrepoids de toiture, (Figure 7) :

1. Disposer quatre poids de base à revêtement en caoutchouc sur la surface plate. Des boulons seront insérés dans l'un des deux trous de chacun des poids de base.
2. Soulever chacun des poids de base et, à sa base, insérer un boulon dans l'un de ses deux trous. Alternier la direction de chaque boulon.
3. Placer temporairement le dispositif d'ancrage de toiture sur les poids de base et les boulons afin de confirmer l'orientation des boulons sur ceux-ci.
4. Retirer le dispositif d'ancrage de toiture. Empiler trois poids supplémentaires sur chaque poids de base, les boulons dépassant à travers les trous correspondants de chaque poids.
5. Placer le dispositif d'ancrage de toiture sur les boulons et les poids. S'assurer que chaque boulon passe à travers l'un des trous de montage de l'embase du dispositif d'ancrage de toiture.
6. Rajouter chaque couche de poids. Un total de 20 poids est utilisé pour le dispositif d'ancrage à contrepoids de toiture. Chacune des quatre couches de poids comprend cinq poids (poids de base plus quatre poids supplémentaires pour chaque couche). Installer une rondelle et un écrou sur chacun des boulons. Serrer fermement les quatre écrous à la main.

4.0 UTILISATION

4.1 AVANT CHAQUE UTILISATION : Vérifier que la zone de travail et l'équipement de protection individuelle (EPI) antichute (Personal Fall Arrest System, PFAS) répondent à tous les critères définis dans la section 2 et qu'un plan de sauvetage officiel est mis en place. Inspecter le dispositif d'ancrage à contrepoids de toiture conformément aux consignes d'inspection « Utilisateur » figurant dans le « Journal d'inspection et d'entretien » (Tableau 2). Ne pas utiliser le système si l'inspection révèle une condition dangereuse ou défectueuse. Retirer le système du service et le détruire, ou contacter 3M pour effectuer une réparation ou un remplacement.

4.2 CONNEXIONS ANTICHUTE : Le dispositif d'ancrage à contrepoids de toiture est utilisé avec un harnais intégral et une longe amortissante ou un dispositif de sécurité autorétractable (Self-Retracting Device, SRD). Connectez la longe ou le SRD entre le D d'accrochage sur le dispositif d'ancrage à contrepoids de toiture et le D d'accrochage dorsal à l'arrière sur le harnais, comme indiqué sur les instructions incluses avec la longe ou le SRD.

IMPORTANT : *Si le dispositif d'ancrage à contrepoids de toiture est soumis aux forces d'arrêt de chute, il conviendra de l'enlever immédiatement de l'emplacement d'utilisation et de le remplacer ou de le faire inspecter par un représentant agréé de Capital Safety.*

5.0 INSPECTION

5.1 FRÉQUENCE D'INSPECTION : Le dispositif d'ancrage à contrepoids de toiture doit être inspecté aux intervalles définis à la Section 1. Les procédures d'inspection sont décrites dans le « Journal d'inspection et d'entretien » (Tableau 2). Inspecter tous les autres composants du système de protection antichute conformément aux fréquences et procédures figurant dans les instructions du fabricant.

5.2 DÉFECTUOSITÉS : Si l'inspection révèle un état dangereux ou défectueux, retirer immédiatement du service le dispositif d'ancrage à contrepoids de toiture et contacter 3M pour effectuer un remplacement ou une réparation. Ne pas essayer de réparer le dispositif antichute.

Les réparations doivent être effectuées par les réparateurs agréés uniquement : Seul 3M ou les parties agréées par écrit peuvent réparer cet équipement.

1 Personne qualifiée : Individu qui possède un diplôme reconnu ou un certificat professionnel, et qui bénéficie d'une vaste expérience dans la protection contre les chutes. Cet individu doit être capable de maîtriser la conception, l'analyse, l'évaluation et les spécifications en matière de protection contre les chutes.

2 Personne compétente : Personne capable d'identifier des dangers existants et prévisibles dans les milieux de travail ou des conditions de travail non hygiéniques, ou dangereuses pour les ouvriers, et ayant l'autorisation de prendre des mesures correctives rapides pour les éliminer.

5.3 DURÉE DE VIE DU PRODUIT : La durée de vie fonctionnelle du dispositif antichute est déterminée par les conditions de travail et l'entretien. Le produit peut rester en service tant qu'il répond aux critères d'inspection.

6.0 ENTRETIEN, RÉVISION, STOCKAGE


6.1 NETTOYAGE : Nettoyer régulièrement les composants métalliques du dispositif d'ancrage à contrepoids de toiture avec une brosse douce, de l'eau tiède et une solution légèrement savonneuse. Veiller à rincer les pièces abondamment à l'eau propre.

6.2 RÉPARATION : Seul 3M ou les parties agréées par écrit par 3M peuvent réparer cet équipement. Si le dispositif d'ancrage à contrepoids de toiture a été soumis à une force suite à une chute ou si l'inspection révèle un état dangereux ou défectueux, retirer immédiatement ce système du service et contacter 3M pour effectuer un remplacement ou une réparation.

6.3 STOCKAGE ET TRANSPORT : Lorsque le dispositif d'ancrage à contrepoids de toiture n'est pas utilisé, rangez-le et transportez-le avec ses accessoires de protection antichute dans un endroit frais, sec et propre, à l'abri des rayons du soleil. Éviter les endroits pouvant contenir des vapeurs chimiques. Inspecter soigneusement les pièces après une période de stockage prolongée.

7.0 ÉTIQUETTES

La Figure 9 illustre les étiquettes présentes sur le dispositif d'ancrage à contrepoids de toiture. Les étiquettes doivent être remplacées si elles ne sont pas parfaitement lisibles. Les informations présentes sur chaque étiquette sont les suivantes :

Ⓐ	 Lire toutes les instructions. 1) Année et mois de fabrication / Numéro de lot 2) Identification de l'organisme notifié 3) Norme de sécurité 4) Numéro de modèle du produit
---	---

INFORMAZIONI SULLA SICUREZZA

Leggere, comprendere e seguire tutte le informazioni sulla sicurezza contenute nelle presenti istruzioni prima di utilizzare questo connettore d'ancoraggio. **IL MANCATO RISPETTO DELLE ISTRUZIONI PUÒ CAUSARE GRAVI LESIONI PERSONALI O MORTE.**

Fornire le presenti istruzioni all'utente dell'attrezzatura. Conservare queste istruzioni come riferimento in futuro.

Uso previsto:

Questo connettore d'ancoraggio deve essere utilizzato come parte di un sistema di protezione anticaduta personale completo.

L'utilizzo per qualsiasi altra applicazione incluse, ma non solo, manipolazione di materiale, attività correlate ricreative o sportive oppure altre attività non descritte nelle istruzioni per l'utente, non è approvato da 3M e può causare gravi lesioni personali o morte.

Il presente dispositivo deve essere utilizzato esclusivamente da utenti addestrati nelle applicazioni relative all'ambito di lavoro.



AVVERTENZA

Questo connettore d'ancoraggio fa parte di un sistema di protezione anticaduta personale. Si prevede, pertanto, che tutti gli utenti siano completamente addestrati all'installazione e al funzionamento sicuri del loro sistema di protezione anticaduta personale. **L'uso improprio del presente dispositivo può comportare gravi lesioni personali o morte.** Per le modalità corrette di selezione, funzionamento, installazione, manutenzione e assistenza, consultare le presenti istruzioni per l'utente e tutte le raccomandazioni fornite dal produttore; altrimenti rivolgersi al proprio supervisore o contattare l'assistenza tecnica di 3M.

- **Per ridurre i rischi associati all'utilizzo di un connettore d'ancoraggio che, se non evitati, potrebbero causare gravi lesioni o morte:**
 - Ispezionare il dispositivo prima di ogni uso, almeno una volta all'anno, e dopo qualsiasi evento di caduta. Le ispezioni devono essere eseguite conformemente a quanto indicato nelle istruzioni per l'utente.
 - Se, a seguito dell'ispezione, viene individuata una condizione di non sicurezza o difetto, dismettere il dispositivo e ripararlo o sostituirlo secondo le istruzioni per l'utente.
 - Ogni dispositivo che è stato sottoposto all'arresto caduta o a una forza d'impatto deve essere immediatamente messo fuori servizio e distrutto.
 - Il dispositivo deve essere installato esclusivamente nei substrati specificati o sulle strutture indicate nelle Istruzioni per l'utente. Installazioni e usi che fuoriescono dall'ambito di queste istruzioni devono essere approvati da 3M Fall Protection.
 - Il substrato o la struttura a cui è attaccato il connettore d'ancoraggio deve essere in grado di sostenere i carichi statici specificati per l'ancoraggio con gli orientamenti consentiti nelle istruzioni per l'utente.
 - Collegare altri sottosistemi di protezione anticaduta solo al punto di collegamento dell'ancoraggio designato sul dispositivo.
 - Prima di eseguire una perforazione o un fissaggio, assicurarsi che non ci siano linee elettriche, del gas o altri sistemi incorporati critici con cui il trapano o il dispositivo possa venire in contatto.
 - Assicurarsi che i sistemi/sottosistemi di protezione anticaduta assemblati con componenti realizzati da produttori diversi siano compatibili e soddisfino i requisiti degli standard applicabili, inclusi ANSI Z359 o altri codici, standard o requisiti relativi alla protezione anticaduta pertinenti. Consultare sempre una persona competente o qualificata prima di utilizzare questi sistemi.
- **Per ridurre i rischi associati al lavoro in altezza che, se non evitati, potrebbero causare gravi lesioni personali o morte:**
 - Assicurarsi che le proprie condizioni fisiche e di salute permettano una resistenza in completa sicurezza a tutte le forze associate al lavoro in altezza. Consultare il proprio medico in caso di domande relative alla propria capacità d'uso di questa attrezzatura.
 - Non superare mai la capacità consentita della propria attrezzatura di protezione anticaduta.
 - Non superare mai la distanza massima di caduta libera della propria attrezzatura di protezione anticaduta.
 - Non utilizzare mai un'attrezzatura di protezione anticaduta che non abbia superato l'ispezione prima dell'uso o altri controlli programmati oppure in caso di dubbi sull'uso o sull'idoneità dell'attrezzatura in merito all'applicazione. Per eventuali domande, contattare l'assistenza tecnica di 3M.
 - Alcune combinazioni di sottosistemi e componenti potrebbero compromettere il funzionamento di questa attrezzatura. Utilizzare solo collegamenti compatibili. Consultare 3M prima di utilizzare questa attrezzatura in combinazione con componenti o sottosistemi diversi da quelli descritti nelle presenti istruzioni per l'utente.
 - Prestare particolare attenzione in presenza di macchinari in movimento (ad es., il top drive delle torri di perforazione), rischi di carattere elettrico, temperature estreme, rischi di carattere chimico, gas esplosivi o tossici, bordi taglienti oppure al di sotto di materiali sospesi che potrebbero cadere sull'utente o sulla sua attrezzatura di protezione anticaduta.
 - Utilizzare dispositivi Arc Flash o Hot Works quando si lavora in ambienti che presentano temperature elevate.
 - Evitare superfici e oggetti che possano danneggiare l'utente o l'attrezzatura.
 - Durante il lavoro in altezza assicurarsi che ci sia un tirante d'aria di caduta adeguato.
 - Non modificare o alterare mai la propria attrezzatura di protezione anticaduta. Solo 3M o centri con autorizzazione scritta di 3M possono procedere alla riparazione dell'attrezzatura.
 - Prima di utilizzare l'attrezzatura di protezione anticaduta, assicurarsi che esista un piano di salvataggio che permetta un salvataggio immediato nel caso in cui si verifichi un incidente.
 - In caso di incidente, fare in modo che il lavoratore caduto sia sottoposto immediatamente alle cure di un medico.
 - Non utilizzare una cintura in vita per applicazioni di arresto caduta. Utilizzare esclusivamente un'imbracatura integrale.
 - Ridurre al minimo le cadute con pendolo lavorando il più possibile direttamente sotto il punto di ancoraggio.
 - Durante la formazione con questo dispositivo, deve essere utilizzato un sistema di protezione anticaduta secondario in modo da non esporre l'utente a un pericolo di caduta involontario.
 - Quando si installa, utilizza o ispeziona il dispositivo/sistema, indossare sempre i dispositivi di protezione individuale idonei.

Prima di installare e utilizzare l'attrezzatura, registrare le informazioni di identificazione del prodotto dall'etichetta identificativa nel Registro di ispezione e manutenzione (tabella 2) che si trova sul retro del presente manuale.

DESCRIZIONE ARTICOLO:

la Figura 1 illustra l'ancoraggio a contrappesi Roof Top 3M™ DBI-SALA™. Il sistema di ancoraggio a contrappesi Roof Top è un connettore d'ancoraggio a un singolo punto per un sistema d'arresto caduta personale, progettato per essere installato su una superficie piana.

La Figura 2 illustra i componenti dell'ancoraggio a contrappesi Roof Top. Vedere la Tabella 1 per le specifiche dei componenti. Il sistema di ancoraggio a contrappesi Roof Top è costituito da un Ancoraggio di supporto principale (A) e un Punto di attacco (B) inbullonati sulle Piastre di contrappeso (E) e i Pesi base con rivestimento in gomma (F) con Bulloni a L (C) e Dadi e Rondelle (D). Il sistema anticaduta viene collegato al Punto di attacco (B) sull'Ancoraggio di supporto principale.

Tabella 1 - Specifiche

Specifiche del sistema:			
Capacità:	1 persona con peso totale (compresi indumenti, utensili, ecc.) non superiore a 140 kg (310 libbre).		
Ancoraggio:	<p>Arresto caduta: la struttura sulla quale è installato il connettore d'ancoraggio deve sostenere carichi statici applicati nelle direzioni consentite dal sistema d'arresto caduta di almeno: 16 kN (3.600 libbre).</p> <p>L'ancoraggio a contrappesi Roof Top non deve essere utilizzato in condizioni climatiche avverse. La copertura deve essere senza ghiaccio, neve, acqua stagnante, grasso o olio, o qualsiasi altro tipo di lubrificante o di materiali che riducono la frizione.</p> <div style="border: 1px solid black; padding: 2px; margin: 5px 0;"> <input checked="" type="checkbox"/> Il Sistema di ancoraggio a contrappesi Roof Top è approvato per l'uso sui seguenti tipi di tetto: cemento, bitume e asfalto sabbaiato. </div> <p>Trattenuta: il tetto deve poter reggere un carico statico di 415 kg.</p>		
Dimensioni:	vedere la Figura 1 per le dimensioni del modello di ancoraggio a contrappesi Roof Top.		
Peso dell'articolo:	vedere la Figura 1 per il peso del modello di ancoraggio a contrappesi Roof Top.		
Standard:	testato in conformità alla normativa EN 795:2012		
Specifiche dei componenti:			
Figura di riferimento 2	Componente	Materiali	Nota:
(A)	Etichette	Poliestere	
(B)	Punto di attacco	Acciaio	
(C)	Bulloni a L	Acciaio	
(D)	Dadi e rondelle	Acciaio	
(E)	Piastre di contrappeso	Ferro grigio	
(F)	Pesi base con rivestimento in gomma	Ferro grigio e Plastisol	

1.0 APPLICAZIONE DELL'ARTICOLO

1.1 FINALITÀ: I connettori di ancoraggio sono progettati per fornire punti di collegamento di ancoraggio per i sistemi di arresto caduta¹ o di trattenuta²: trattenuta, posizionamento sul lavoro, trasporto del personale, salvataggio, ecc.

Solo protezione anticaduta: questo connettore d'ancoraggio è per il collegamento dell'attrezzatura di protezione anticaduta. Non collegare dispositivi di sollevamento a questo connettore d'ancoraggio.

1.2 STANDARD: il connettore d'ancoraggio è conforme agli standard nazionali o regionali segnalati nella copertina di queste istruzioni. Se il prodotto viene rivenduto al di fuori del Paese di destinazione originario, il rivenditore dovrà fornire le presenti istruzioni nella lingua del Paese in cui dovrà essere utilizzato il prodotto.

1.3 SUPERVISIONE: L'utilizzo dell'attrezzatura deve essere supervisionato da una persona competente³.

1.4 FORMAZIONE: l'attrezzatura deve essere installata e utilizzata da personale qualificato. Il presente manuale deve essere utilizzato nell'ambito di un programma di formazione dei dipendenti, come richiesto dalla CE. È responsabilità dell'utente e dell'installatore dell'attrezzatura assicurarsi di avere dimestichezza con queste istruzioni e di conoscere correttamente le procedure di uso e manutenzione, di essere consapevoli delle caratteristiche di funzionamento, dei limiti di applicazione e delle conseguenze di un uso improprio.

1.5 PIANO DI SALVATAGGIO: durante l'utilizzo della presente attrezzatura e dei sottosistemi di connessione, il responsabile deve disporre di un piano di salvataggio, nonché dei mezzi per implementarlo e comunicarlo a utenti, persone autorizzate⁴ e soccorritori⁵. Si consiglia la presenza di una squadra di soccorso addestrata in loco. I membri della squadra devono conoscere le tecniche e disporre delle attrezzature necessarie per un soccorso efficace. La formazione deve essere fornita periodicamente per garantire la competenza dei soccorritori.

1.6 FREQUENZA DELLE ISPEZIONI: il connettore d'ancoraggio deve essere ispezionato dall'utente prima di ciascun utilizzo e da una persona competente diversa dall'utente, almeno una volta l'anno.⁶ Le procedure d'ispezione sono descritte nel "Registro di ispezione e manutenzione". I risultati di ciascuna ispezione della persona competente devono essere registrati in copie del "Registro di ispezione e manutenzione".

1.7 DOPO UNA CADUTA: se il connettore d'ancoraggio è stato soggetto alle forze di arresto di una caduta, deve essere rimosso immediatamente dal servizio, contrassegnato con "NON USARE" e distrutto.

2.0 REQUISITI DI SISTEMA

2.1 ANCORAGGIO: i requisiti di ancoraggio variano in base all'applicazione della protezione anticaduta. struttura su cui è collocato o montato il connettore d'ancoraggio che deve rispondere alle specificazioni di ancoraggio definite nella Tabella 1.

2.2 SISTEMA DI PROTEZIONE ANTICADUTA: La Figura 1 mostra l'applicazione del connettore di ancoraggio. I sistemi protezione anticaduta utilizzati con questo sistema devono soddisfare gli standard, i codici e i requisiti applicabili di protezione anticaduta. Il sistema di protezione anticaduta deve essere dotato di imbracatura integrale e limitare la forza di arresto ai valori seguenti:

	Forza di arresto massima	Caduta libera
Sistema di protezione anticaduta con cordino assorbitore di energia	6 kN (1350 libbre)	Fare riferimento alle istruzioni incluse con cordino o SRD per le limitazioni di caduta libera.
Sistemi di protezione anticaduta con dispositivo autoretrattile (SRD)	6 kN (1350 libbre)	

2.3 TRAIETTORIA DI CADUTA E VELOCITÀ DI BLOCCAGGIO DEL DISPOSITIVO ANTICADUTA RETRATTILE: è necessaria una traiettoria sgombra per garantire l'efficacia dell'arresto di un dispositivo autoretrattile (Self-Retracting Device, SRD). Evitare situazioni che non consentano una traiettoria di caduta libera. Lavorare in spazi stretti o bloccati potrebbe impedire il raggiungimento della velocità di arresto adeguata dell'SRD in caso di caduta. Lavorare su materiali a lento spostamento, come sabbia o sementi, potrebbe impedire il raggiungimento della velocità di arresto adeguata per bloccare l'SRD.

2.4 PERICOLI: l'utilizzo dell'attrezzatura in aree con rischi ambientali può richiedere ulteriori precauzioni per prevenire lesioni all'utente o danneggiamenti all'attrezzatura. Tra i rischi possono esservi i seguenti (pur non essendo limitati a questi): calore, sostanze chimiche, ambienti corrosivi, linee ad alta tensione, gas tossici o esplosivi, macchinari in movimento, bordi taglienti o la presenza di materiali al di sopra dell'utente che possono cadere ed entrare in contatto con l'utente o con il sistema d'arresto caduta.

2.5 TIRANTE D'ARIA DI CADUTA: la Figura 3 illustra i componenti di un sistema d'arresto caduta. Deve essere presente un tirante d'aria di caduta sufficiente per arrestare una caduta prima che l'operatore tocchi il terreno o altri impedimenti. Il tirante d'aria è influenzato da numerosi fattori tra cui: (A) posizionamento dell'ancoraggio, (B) lunghezza del cordino,

1 Sistema d'arresto caduta: un insieme di attrezzature di protezione anticaduta configurate per fermare una caduta libera.

2 Sistema di trattenuta: un insieme di attrezzature di protezione anticaduta configurate per evitare che il centro di gravità di una persona raggiunga un punto di pericolo di caduta.

3 Persona competente: persona in grado di individuare i rischi esistenti e prevedibili nell'ambiente circostante o condizioni di lavoro malsane, rischiose e pericolose per i dipendenti, autorizzata a prendere immediati provvedimenti per porvi rimedio.

4 Persona autorizzata: una persona incaricata dal datore di lavoro di svolgere delle mansioni in un luogo in cui la persona sarà esposta a pericolo di caduta.

5 Soccorritore: persona o persone diverse dal soggetto a rischio che agiscono per compiere un salvataggio assistito tramite il funzionamento del sistema di salvataggio.

6 Frequenza delle ispezioni: condizioni di lavoro estreme (ambienti proibitivi, uso prolungato e così via) possono richiedere un incremento nella frequenza delle ispezioni da parte della persona competente.

(C) distanza di decelerazione del cordino o distanza massima di arresto dell'SRD, (D) cedimento dell'imbracatura e anello a D/lunghezza del connettore e assestamento. Fare riferimento al manuale fornito con il sottosistema d'arresto caduta per le specifiche relative al calcolo del tirante d'aria di caduta.

- 2.6 CADUTE CON PENDOLO:** le cadute con pendolo si verificano quando il punto di ancoraggio non è esattamente al di sopra del punto in cui si verifica la caduta (vedere la Figura 4). Durante una caduta con pendolo, la forza d'urto contro un oggetto può causare gravi lesioni o decesso. Ridurre al minimo le cadute con pendolo lavorando il più possibile direttamente sotto il punto di ancoraggio. Per evitare lesioni, prevenire le cadute con pendolo. In caso di uso di un dispositivo anticaduta retrattile o di altri sottosistemi di connessione a lunghezza variabile, le cadute con pendolo necessitano di un tirante d'aria significativamente maggiore.
- 2.7 COMPATIBILITÀ DEI COMPONENTI:** l'attrezzatura 3M è progettata solo per l'utilizzo con componenti e sottosistemi approvati da 3M. Eventuali sostituzioni con componenti o sottosistemi non approvati potrebbero compromettere la compatibilità delle apparecchiature e la sicurezza, nonché l'affidabilità di tutto il sistema.
- 2.8 COMPATIBILITÀ DEI CONNETTORI:** i connettori sono considerati compatibili con gli elementi di collegamento quando sono progettati per essere utilizzati in modo che le rispettive forme e dimensioni non causino l'apertura involontaria dei meccanismi di chiusura, indipendentemente dal modo in cui si orientano. In caso di dubbi sulla compatibilità, contattare 3M.

I connettori devono essere conformi allo standard EN 362. I connettori devono essere compatibili con l'ancoraggio o altri componenti del sistema. Non utilizzare attrezzature non compatibili. I connettori non compatibili potrebbero sganciarsi involontariamente (vedere la Figura 5). I connettori devono essere compatibili per dimensioni, forma e potenza. Se l'elemento di collegamento a cui è agganciato un connettore a scatto o un moschettone ha una forma irregolare o le dimensioni sono inferiori a quanto necessario, l'elemento di collegamento potrebbe applicare una forza al dispositivo di chiusura del connettore a scatto o del moschettone (A). Tale forza potrebbe indurre l'apertura del dispositivo di chiusura (B) e, di conseguenza, il connettore a scatto o il moschettone potrebbe sganciarsi dal punto di collegamento (C).

- 2.9 REALIZZAZIONE DEI COLLEGAMENTI:** i connettori a scatto e i moschettoni utilizzati con questa attrezzatura devono disporre di un meccanismo di autobloccaggio. Accertarsi che i connettori siano di dimensioni, forma e resistenza compatibili. Non utilizzare attrezzature non compatibili. Accertarsi che tutti i connettori siano completamente chiusi e bloccati.

I connettori 3M (ganci a scatto e moschettoni) sono progettati solo per l'utilizzo specificato nelle istruzioni per l'utente di ciascun prodotto. Vedere la Figura 6 per esempi di collegamenti non appropriati. Non collegare i connettori a scatto e i moschettoni come descritto:

- A. A un anello a D a cui è collegato un altro connettore.
- B. In modo tale da indurre un carico sul dispositivo di chiusura. Non collegare ganci a scatto con ampia distanza tra gli anelli a D di dimensioni standard oppure oggetti simili in modo da indurre un carico sul dispositivo di chiusura in caso di torsione o rotazione del gancio o dell'anello a D, a meno che il gancio a scatto non sia dotato di dispositivo di chiusura da 16 kN (3600 libbre). Controllare la marcatura sul proprio connettore a scatto per verificarne l'idoneità per l'applicazione prevista.
- C. In un falso aggancio, dove le caratteristiche che sporgono dal connettore a scatto o dal moschettone si agganciano all'ancoraggio e senza conferma visiva che attesti il completo aggancio al punto di ancoraggio.
- D. Uno all'altro.
- E. Direttamente al nastro, al cordino di sicurezza o al collegamento diretto, a meno che le istruzioni del produttore relative al cordino di sicurezza e al connettore non consentano specificatamente tale collegamento.
- F. A qualsiasi oggetto di forma o dimensione tale da impedire la chiusura e il blocco del connettore a scatto o del moschettone o di causare il lancio.
- G. In un modo che non consente al connettore di allinearsi correttamente quando sotto carica.

3.0 INSTALLAZIONE

L'installazione dell'ancoraggio a contrappesi Roof Top DBI-SALA deve essere supervisionata da una persona qualificata¹. Una persona competente² deve certificare che l'installazione soddisfa i criteri per un ancoraggio certificato o è in grado di sostenere le potenziali forze che potrebbero verificarsi durante una caduta.

3.1 PIANIFICAZIONE: pianificare il proprio sistema di protezione anticaduta prima di installare l'ancoraggio a contrappesi Roof Top. Considerare tutti i fattori che possono influire sulla propria sicurezza prima, durante e dopo una caduta. Prendere in considerazione tutti i requisiti, le limitazioni e le specifiche definiti nella Sezione 2 e nella Tabella 1. Determinare la posizione corretta dell'ancoraggio a contrappesi Roof Top. Deve essere piano e ad almeno 2,5 m (8 piedi) di distanza dal bordo della struttura o da qualsiasi apertura come i lucernari, e il più vicino possibile alla zona di lavoro (Figura 7A).

3.2 INSTALLAZIONE DELL'ANCORAGGIO A CONTRAPPESI ROOF TOP: l'ancoraggio a contrappesi Roof Top può essere installato su tetti che soddisfano i requisiti di ancoraggio specificati nella Tabella 1. Spazzare il luogo di installazione per rimuovere i materiali liberi. Per installare l'ancoraggio a contrappesi Roof Top (Figura 7):

1. Posare quattro pesi base con rivestimento in gomma sulla superficie piana. I bulloni a L dovranno essere introdotti in uno dei fori di ciascun peso base.
2. Sollevare ciascun peso base e, dal lato inferiore, inserire un bullone a L in uno dei fori di ciascun peso. Alternare la direzione di ciascun bullone a L.
3. Collocare temporaneamente il Sistema di ancoraggio Roof Top sui pesi base e sui bulloni a L per confermare che questi ultimi siano orientati correttamente nei pesi base.
4. Rimuovere il Sistema di ancoraggio Roof Top. Impilare tre pesi aggiuntivi su ciascun peso base, con i bulloni a L sporgenti dai buchi corrispondenti di ciascun peso.
5. Collocare il Sistema di ancoraggio Roof Top sui bulloni a L e sui pesi. Assicurarsi che ciascun bullone a L attraversi uno dei fori di montaggio nella piastra base del Sistema di ancoraggio Roof Top.
6. Aggiungere ciascuno strato di pesi. Vengono utilizzati in totale 20 pesi con l'ancoraggio a contrappesi Roof Top. Ciascuna delle quattro pile di pesi conterrà cinque pesi (il peso base più quattro pesi aggiuntivi per pila). Montare rondella e dado su ciascun bullone a L. Stringere bene a mano tutti e quattro i dadi.

4.0 USO

4.1 PRIMA DI OGNI USO: verificare che la propria area di lavoro e il sistema di protezione anticaduta soddisfino tutti i criteri definiti nella Sezione 2 e che sia messo in atto un piano formale di salvataggio. Ispezionare l'ancoraggio a contrappesi Roof Top in base ai punti di ispezione "utente" indicati nel "Registro di ispezione e manutenzione" (tabella 2). Non utilizzare il sistema se l'ispezione rivela una condizione pericolosa o difettosa. Ritirare il sistema dal servizio e distruggerlo o contattare 3M per un'eventuale riparazione o sostituzione.

4.2 COLLEGAMENTI DI ARRESTO CADUTA: l'ancoraggio a contrappesi Roof Top è utilizzato con un'imbracatura integrale e cordino dissipatore di energia o con il dispositivo autoretrattile (Self-Retracting Device, SRD). Collegare il cordino o l'SRD tra l'anello a D sull'ancoraggio a contrappesi Roof Top e l'anello dorsale a D sul retro dell'imbracatura seguendo le indicazioni riportate nelle istruzioni fornite con il cordino o l'SRD.

IMPORTANTE: *se l'ancoraggio a contrappesi Roof Top è soggetto a forze di arresto caduta, deve essere immediatamente rimosso dal servizio sul campo e sostituito o sottoposto a ispezione da parte di un Rappresentante autorizzato Capital Safety.*

5.0 ISPEZIONE

5.1 FREQUENZA DELLE ISPEZIONI: l'ancoraggio a contrappesi Roof Top deve essere sottoposto a ispezione agli intervalli definiti nella Sezione 1. Le procedure d'ispezione sono descritte nel "Registro di ispezione e manutenzione" (tabella 2). Ispezionare tutti gli altri componenti del sistema di protezione anticaduta seguendo la frequenza e le procedure indicate nelle istruzioni del produttore.

5.2 DIFETTI: qualora l'ispezione riveli una condizione pericolosa o difettosa, rimuovere immediatamente l'ancoraggio a contrappesi Roof Top dal servizio e contattare 3M per un'eventuale sostituzione o riparazione. Non cercare di riparare il sistema d'arresto caduta.

Solo riparazioni autorizzate: *SOLO 3M o centri con autorizzazione scritta possono procedere alla riparazione di questa attrezzatura.*

5.3 VITA DEL PRODOTTO: la durata operativa del sistema d'arresto caduta dipende dalle condizioni di lavoro e dalla manutenzione. L'articolo può rimanere in servizio finché è in grado di soddisfare i criteri di ispezione.

6.0 MANUTENZIONE, ASSISTENZA E STOCCAGGIO

6.1 PULIZIA: pulire regolarmente i componenti metallici dell'ancoraggio a contrappesi Roof Top con una spazzola morbida, acqua calda e un detergente neutro. Accertarsi che le parti siano completamente risciacquate con acqua pulita.


6.2 ASSISTENZA: solo 3M o centri con autorizzazione scritta da parte di 3M possono procedere alla riparazione di questa attrezzatura. Se l'ancoraggio a contrappesi Roof Top è stato sottoposto a forza di caduta o in seguito a un'ispezione viene

individuata una condizione di non sicurezza o difetto, ritirare immediatamente il sistema dal servizio e contattare 3M per un'eventuale riparazione o sostituzione.

6.3 CONSERVAZIONE E TRASPORTO: quando non viene utilizzato, conservare e trasportare l'ancoraggio a contrappesi Roof Top e la relativa attrezzatura di protezione anticaduta in un ambiente fresco, asciutto e pulito, lontano da luce solare diretta. Evitare zone con vapori chimici. Dopo un lungo periodo di inutilizzo, ispezionare attentamente i componenti.

7.0 ETICHETTE

La Figura 9 illustra le etichette presenti sull'ancoraggio a contrappesi Roof Top. Sostituire le etichette se non sono completamente leggibili. Su ogni etichetta sono presenti le informazioni seguenti:

Ⓐ	 Leggere tutte le istruzioni. 1) Anno e mese di fabbricazione/Numero di lotto 2) ID Ente notificato 3) Standard di sicurezza 4) Numero di modello del prodotto
---	--

Lees alle veiligheidsinformatie in deze instructies voordat u deze verankeringsconnector gebruikt. Vergewis u ervan dat u alle informatie en instructies hebt begrepen en volg deze op. **NALATIGHEID KAN ERNSTIG LETSEL OF DE DOOD TOT GEVOLG HEBBEN.**

Deze instructies dienen aan de gebruiker van deze apparatuur verstrekt te worden. Bewaar deze instructies zodat u ze later kunt raadplegen.

Beoogd gebruik:

Deze verankeringsconnector is bedoeld voor gebruik als onderdeel van een volledig persoonlijk valbeveiligingssysteem.

Gebruik in andere toepassingen, inclusief (maar niet beperkt tot) materiaalbehandeling, vrijetijdsactiviteiten, sporten of andere activiteiten die niet in de gebruiksinstructies omschreven staan, wordt niet goedgekeurd door 3M en kan leiden tot een ongeval met ernstig letsel of de dood tot gevolg.

Dit apparaat mag uitsluitend worden gebruikt door opgeleide gebruikers voor toepassing op de werkplaats.



WAARSCHUWING

Deze verankeringsconnector maakt deel uit van een persoonlijk valbeveiligingssysteem. Er wordt verwacht dat alle gebruikers volledig zijn opgeleid voor een veilige installatie en veilig gebruik van hun persoonlijke valbeveiligingssysteem. **Misbruik van dit apparaat kan leiden tot ernstig letsel of een dodelijk ongeval.** Raadpleeg voor het correct selecteren, installeren, bedienen, onderhouden en verzorgen deze gebruiksaanwijzing, inclusief alle aanbevelingen van de fabrikant, of raadpleegt u uw leidinggevende of neemt u contact op met 3M Technical Services.

- **Doe het volgende om de risico's die gepaard gaan met het werken met een verankeringsconnector te beperken. Dit nalaten kan leiden tot ernstig letsel of een dodelijk ongeval:**
 - Inspecteer voorafgaand aan elk gebruik alle onderdelen van het systeem, minstens één keer per jaar en na elke valgebeurtenis. Voer de inspectie uit conform de gebruiksinstructies.
 - Als uit inspectie een defect of onveilige werking blijkt, stelt u het apparaat onmiddellijk buiten gebruik en zorgt u voor reparatie of vervanging volgens de gebruiksinstructies.
 - Elk apparaat dat eerder werd onderworpen aan valstop- of botskrachten, moet onmiddellijk buiten gebruik worden gesteld en vernietigd.
 - Het apparaat mag alleen worden geïnstalleerd in de substraten of op de structuren die zijn vermeld in de gebruikersinstructies. Installaties en vormen van gebruik die buiten het bereik van de instructies vallen, moeten schriftelijk door 3M Fall Protection worden goedgekeurd.
 - Het substraat of de structuur waarop de verankeringsconnector is bevestigd/gepositioneerd, moet de statische belastingen die zijn opgegeven voor de verankeringsconnector kunnen ondersteunen in de oriëntaties die volgens de gebruiksinstructies zijn toegestaan.
 - Sluit andere valbeveiligingssubsystemen uitsluitend aan op het aangewezen verankeringsverbindingpunt van het apparaat.
 - Zorg er bij het boren van gaten voor montage of installatie van het systeem voor dat er geen elektrische kabels, gasleidingen of andere kritische materialen of apparatuur door de boor kunnen worden geraakt.
 - Zorg ervoor dat valbeveiligingssystemen/-subsystemen samengesteld uit onderdelen van verschillende fabrikanten compatibel zijn en aan de geldende normen voldoen, waaronder ANSI Z359 of andere geldende voorschriften, normen of vereisten op het gebied van valbescherming. Raadpleeg altijd een deskundige en/of een gekwalificeerd persoon voordat u deze systemen gebruikt.
- **Doe het volgende om de risico's te beperken die gepaard gaan met het werken op hoogte, waarbij nalatigheid kan leiden tot een ongeval met ernstig letsel of de dood tot gevolg:**
 - Vergewist u zich ervan dat u met uw gezondheid en lichamelijke conditie veilig bestand bent tegen alle krachten die kunnen optreden bij het werken op hoogte. Raadpleeg uw arts als u twijfelt of u in staat bent om deze uitrusting te gebruiken.
 - Overschrijd nooit de toelaatbare capaciteit van uw valbeveiligingsuitrusting.
 - Overschrijd nooit de maximale vrijevalafstand van uw valbeveiligingsuitrusting.
 - Gebruik nooit valbeveiligingsuitrusting die een gebrek vertoont bij de inspectie vóór het gebruik of andere periodieke inspecties, of als u onzeker bent over het gebruik of de geschiktheid van de uitrusting voor uw toepassing. Neem voor al uw vragen contact op met 3M Technical Services.
 - Sommige combinaties van subsystemen en componenten kunnen de werking van deze uitrusting verstoren. Gebruik uitsluitend koppelingen die onderling geschikt zijn. Raadpleeg 3M voordat u deze apparatuur gebruikt in combinatie met andere componenten of subsystemen dan die welke in de gebruiksinstructies beschreven staan.
 - Wees extra voorzichtig bij het werken in de buurt van bewegende machines (bijv. top drive van boorplatform), op plaatsen met elektrische gevaren, extreme temperaturen, chemische gevaren, explosieve of giftige gassen, scherpe randen, of onder voorwerpen boven het hoofd die op u of uw valbeveiligingsuitrusting kunnen vallen.
 - Gebruik bij werken in een hete omgeving of met hitteapparatuur beschermingsmiddelen tegen risico's op een vlamboog en brandgevaar.
 - Vermijd oppervlakken en voorwerpen die de gebruiker of de uitrusting kunnen beschadigen.
 - Vergewist u zich ervan dat er voldoende vrije val is bij het werken op hoogte.
 - Wijzig of verander uw valbeveiligingsuitrusting nooit. Alleen 3M, of partijen die door 3M schriftelijk bevoegd worden gesteld, mogen de uitrusting repareren.
 - Zorg, voordat de valbeveiligingsuitrusting in gebruik wordt genomen, dat er een reddingsplan aanwezig is waarmee in geval van een ongeval snel hulp kan worden geboden.
 - Laat na een val de betreffende persoon onmiddellijk door een arts onderzoeken.
 - Gebruik geen lichaamsgordel voor valstop-toepassingen. Gebruik uitsluitend een volledig lichaamsharnas.
 - Minimaliseer zwenkvallen door zo recht mogelijk onder het ankerpunt te werken.
 - Bij training met dit apparaat moet een tweede valbeveiligingssysteem worden gebruikt, om elk risico te vermijden dat de gebruiker-in-training per ongeluk aan valgevaar wordt blootgesteld.
 - Draag altijd geschikte persoonlijke beschermingsmiddelen bij het installeren, gebruiken of inspecteren van het apparaat/systeem.

Noteer, voorafgaand aan het gebruik of de installatie van deze apparatuur, de productidentificatiegegevens van het ID-label in het logboek voor inspectie en onderhoud (Tabel 2) achter in deze handleiding.

PRODUCTBESCHRIJVING:

Afbeelding 1 laat de werking zien van de 3M™ DBI-SALA™ Verankering met contragewicht voor daken. De Verankering met contragewicht voor daken is een verankeringsconnector met een enkel punt voor een persoonlijk valstopsysteem dat is ontworpen voor installatie op een plat oppervlak.

Afbeelding 2 laat de werking zien van de componenten van de Verankering met contragewicht voor daken. Zie Tabel 1 voor de componentspecificaties. De Verankering met contragewicht voor daken bestaat uit een hoofdondersteuningsanker (A) en een bevestigingspunt (B) dat met bouten is bevestigd aan de contragewichtplaten (E) en de met rubber beklede basisgewichten (F) met L-bouten (C) en moeren en ringen (D). Het valstopsysteem maakt verbinding met het bevestigingspunt (B) op het hoofdondersteuningsanker.

Table 1 – Specificaties

Systeemspecificaties:	
Capaciteit:	1 persoon met een gecombineerd gewicht (kleding, gereedschap etc.) van niet meer dan 310 lbs (140 kg).
Verankering:	<p>Valstop: De constructie waarop de Verankeringsverbinding is geïnstalleerd, dient statische belastingen op te kunnen vangen in de richtingen die het valstopsysteem toestaat van minstens: 3.600 lbs (16 kN). De verankering met contragewicht voor daken mag niet worden gebruikt in slechte weersomstandigheden. Het dakoppervlak moet vrij zijn van rijp, sneeuw, stilstaand water, vet of olie, of enig ander type smeer- of wrijvingsverminderende materialen.</p> <div style="border: 1px solid black; padding: 2px; margin: 5px 0;"> <input checked="" type="checkbox"/> Het verankeringsysteem met contragewicht voor daken is goedgekeurd voor gebruik op de volgende soorten daken: beton, bitumen en zandafval. </div> <p>Beperking: Het dak moet een statische belasting van 415 kg kunnen ondersteunen.</p>
Afmetingen:	Zie Afbeelding 1 voor de afmetingen van het model voor de Verankering met contragewicht voor daken.
Productgewicht:	Zie Afbeelding 1 voor het gewicht van het model voor de Verankering met contragewicht voor daken.
Normen:	Getest volgens EN 795:2012

Componentspecificaties:			
Referentie in afbeelding 2	Onderdeel	Materialen	Opmerking:
(A)	Labels	Polyester	
(B)	Bevestigingspunt	Staal	
(C)	L-bouten	Staal	
(D)	Moeren en ringen	Staal	
(E)	Contragewichtplaten	Grijs ijzer	
(F)	Met rubber beklede basisgewichten	Grijs ijzer en plastisol	

1.0 TOEPASSING VAN HET PRODUCT

- 1.1 DOEL:** Verankeringsconnectors zijn ontworpen om bevestigingspunten voor de verankerungen te bieden voor valstop⁻¹ of valbeperking²systemen: Beperking, Werkpositionering, Personeelbewegingen, Redding, enz.

Alleen valbescherming: Deze verankeringsconnector dient voor het verbinden van valbeveiligingsapparatuur. Verbind geen hijsapparatuur aan deze verankeringsconnector.

- 1.2 NORMEN:** Uw verankeringsconnector voldoet aan de nationale of regionale norm(en) die staan vermeld op de omslag van deze instructies. Als dit product opnieuw verkocht wordt buiten het oorspronkelijke land van bestemming, dient de wederverkoper deze instructies te leveren in de taal van het land waarin het product gebruikt zal worden.
- 1.3 TOEZICHT:** Het gebruik van deze apparatuur moet plaatsvinden onder toezicht van een deskundige³.
- 1.4 TRAINING:** Deze apparatuur moet geïnstalleerd en gebruikt worden door personen die getraind zijn in de juiste toepassing van deze apparatuur. Deze handleiding moet gebruikt worden als onderdeel van een trainingsprogramma voor medewerkers zoals vereist wordt door CE. Het is de verantwoordelijkheid van de gebruikers en installateurs van deze apparatuur om zich ervan te verzekeren dat ze deze instructies kennen, getraind zijn in het juiste gebruik en de verzorging van de apparatuur, en zich bewust zijn van de gebruikskennmerken, toepassingsbeperkingen en de gevolgen van enig onjuist gebruik van deze apparatuur.
- 1.5 REDDINGSPLAN:** Wanneer deze apparatuur en verbindende subsystemen worden gebruikt, dient de werkgever te beschikken over een reddingsplan en de middelen binnen bereik te hebben om het reddingsplan te implementeren en te communiceren naar gebruikers, bevoegde personen⁴ en reddingswerkers⁵. Het wordt aanbevolen dat een getraind reddingsteam ter plekke aanwezig is. Teamleden moeten de apparatuur en technieken aangeleverd krijgen om een succesvolle reddingsactie te verrichten. Er moet op periodieke basis training gegeven worden om ervoor te zorgen dat de kennis van de redders actueel blijft.
- 1.6 REGELMAAT VAN INSPECTIES:** Iedere gebruiker dient de verankeringsconnector voorafgaand aan gebruik te inspecteren. Eventueel kan het apparaat ook worden beoordeeld door een andere deskundige dan de gebruiker. Er mag niet meer dan een jaar tussen de inspecties liggen.⁶ De inspectieprocedures zijn beschreven in het "Logboek voor inspectie en onderhoud". De resultaten van elke inspectie door een deskundige moeten worden genoteerd op kopieën van het "Inspectie- en onderhoudslogboek".
- 1.7 NA EEN VAL:** Als de verankeringsconnector wordt blootgesteld aan de krachten om een val te stoppen, moet deze onmiddellijk buiten gebruik worden genomen, duidelijk gemarkeerd met "NIET GEBRUIKEN" en vervolgens worden vernietigd.

2.0 SYSTEEMVEREISTEN

- 2.1 VERANKERING:** Verankeringsvereisten variëren afhankelijk van de toepassing van de valbeveiliging. Constructie waarop de verankeringsconnector wordt geplaatst of gemonteerd, moet voldoen aan de verankeringspecificaties die in Tabel 1 staan.
- 2.2 PERSOONLIJK VALSTOPSYSTEEM:** Figuur 1 illustreert de toepassing van deze verankeringsconnector. Persoonlijke systemen voor valbescherming (PFAS) die worden gebruikt in combinatie met het systeem moeten voldoen aan de geldende normen, codes en vereisten voor valbescherming. De PFAS moet zijn voorzien van een volledig lichaamsharnas en de valstopkracht beperken tot de volgende waarden:

	Maximale valstopkracht	Vrije val
PFAS met schokdempende lijnen	6 kN (1.350 lb)	Raadpleeg de instructie(s) bij uw lijn of SRD voor beperkingen van de vrije val.
PFAS met automatisch blokkerend valstopsysteem (SRD)	6 kN (1.350 lb)	

- 2.3 VALPAD EN BLOKKEERSNELHEID VAN VALSTOPAPPARAAT:** Om positieve vergrendeling van een valstopapparaat te garanderen, is een vrij valpad nodig. Situaties waarin geen vrij valpad is, dienen vermeden te worden. Wanneer er gewerkt wordt in besloten of nauwe ruimten, is het mogelijk dat het lichaam tijdens een val niet voldoende snelheid kan bereiken om de vergrendeling van het valstopapparaat bij een val te activeren. Wanneer er gewerkt wordt op zich langzaam verplaatsende materialen, zoals zand of korrelig materiaal, wordt er wellicht onvoldoende snelheid gemaakt om de vergrendeling van het valstopapparaat te activeren.
- 2.4 GEVAREN:** Gebruik van deze apparatuur in gebieden met gevaren voor het milieu kunnen aanvullende voorzorgsmaatregelen vereisen om de mogelijkheid van letsel voor de gebruiker of beschadiging aan de apparatuur te voorkomen. Gevaren kunnen bestaan uit, maar zijn niet beperkt tot: hitte, bijtende chemicaliën, corrosieve omgevingen, hoogspanningsleidingen, explosieve of giftige gassen, bewegende machines, scherpe randen en bovenhoofds materiaal dat kan vallen en de gebruiker of het persoonlijke valstopsysteem kan raken.

1 Valstopsysteem: Een verzameling valbeveiligingsapparatuur die is geconfigureerd om een val te stoppen.

2 Valbeperkingssysteem: Een verzameling valbeveiligingsapparatuur die is geconfigureerd om te voorkomen dat het zwaartepunt van de persoon een valgevaar bereikt.

3 Deskundige: Een persoon die in staat is om bestaande en voorspelbare gevaren in de werkomgeving of -omstandigheden te identificeren die onhygiënisch, gevaarlijk of riskant zijn voor werknemers, en die bevoegd is om direct corrigerende acties te ondernemen om deze te elimineren.

4 Bevoegd persoon: Een persoon die door de werkgever aangewezen is om werk uit te voeren op een locatie waar de persoon blootgesteld wordt aan een valrisico.

5 Redder: Een andere persoon of andere personen dan de te redden persoon, die optreedt of optreden om een geassisteerde redding uit te voeren door middel van een reddingssysteem.

6 Regelmaat van inspectie: Extreme werkomstandigheden (moeilijke omgevingen, langdurig gebruik, enz.) kunnen vereisen dat de frequentie van inspecties door deskundigen wordt opgevoerd.

- 2.5 VRIJE VALRUIMTE:** Afbeelding 3 toont de onderdelen van een valstopsysteem. Er moet voldoende valspeling (Fall Clearance - FC) zijn om een val op te vangen voordat een gebruiker in aanraking komt met de grond of enig ander obstakel. Valspeling wordt beïnvloed door meerdere factoren, waaronder: Locatie van verankering, (A) Draagriemlengte, (B) Draagriem-afremafstand of SRD-maximale afstelafstand, (C) Harnas Stretch- en D-ring / connectorlengte en afwikkeling. Raadpleeg de instructies van uw valstopsystemen voor specifieke informatie over het berekenen van de valspeling.
- 2.6 ZWENKVALLLEN:** Zwenkvallen ontstaan wanneer het verankeringspunt niet recht boven het punt ligt waar de val optreedt (zie afbeelding 4). De kracht waarmee tegen een voorwerp wordt gestoten bij scheef vallen, kan ernstig letsel of de dood veroorzaken. Minimaliseer zwenkvallen door zo recht mogelijk onder het ankerpunt te werken. Vermijd scheef vallen als er letsel kan ontstaan. Zwenkvallen verhogen de vereiste valspeling aanzienlijk als er een zelfintrekbaar apparaat of ander verbonden subsysteem met variabele lengte gebruikt wordt.
- 2.7 COMPATIBILITEIT VAN ONDERDELEN:** 3M-apparatuur is ontworpen voor gebruik met alleen door 3M goedgekeurde onderdelen en subsystemen. Substituties of vervangingen door niet-goedgekeurde onderdelen of subsystemen kunnen de compatibiliteit van apparatuur in gevaar brengen en kunnen de veiligheid en betrouwbaarheid van het volledige systeem beïnvloeden.
- 2.8 COMPATIBILITEIT VAN CONNECTOREN:** Connectors worden als compatibel met verbindende elementen beschouwd wanneer deze zijn ontwikkeld om op een dusdanige manier samen te werken dat de maten en vormen, ongeacht hun oriëntatie, geen onbedoeld opengaan van snappermechanismen veroorzaken. Neem contact op met 3M als u vragen hebt over compatibiliteit.
- Connectoren moeten voldoen aan EN 362. Connectors moeten compatibel zijn met de verankering of andere systeemcomponenten. Gebruik geen apparatuur die niet compatibel is. Verbindingen die niet compatibel zijn, kunnen onbedoeld losraken (zie Afbeelding 5). Connectors moeten compatibel zijn qua grootte, vorm en sterkte. Als het verbindingselement waaraan de karabijnhaak (als op de afbeeldingen) of karabiner bevestigd wordt, te klein of onregelmatig van vorm is, kan er een situatie optreden waarbij het verbindingselement kracht uitoefent op de opening van de karabijnhaak of karabiner (A). Door deze kracht kan de opening (B) opengaan, waardoor de karabijnhaak of karabiner kan losraken van het verbindingspunt (C).
- 2.9 VERBINDINGEN MAKEN:** Er mogen alleen zelfvergrendelende karabijnhaken en karabiners met deze apparatuur gebruikt worden. Zorg ervoor dat de verbindingen qua grootte, vorm en sterkte bij elkaar passen. Gebruik geen apparatuur die niet compatibel is. Controleer of alle verbindingen volledig gesloten en vergrendeld zijn.
- 3M-connectors (musketonhaken en karabiners) zijn ontworpen om alleen gebruikt te worden zoals in de gebruikersinstructies van elk product vermeld staat. Zie Afbeelding 6 voor onjuiste verbindingen. Verbind karabijnhaken of karabiners niet:
- Aan een D-ring waaraan al een andere verbinding bevestigd is.
 - Op een manier waardoor er een belasting op de gate komt te staan. Karabijnhaken met een grote halsopening mogen niet worden verbonden met standaardformaat D-ringen of vergelijkbare voorwerpen. Dit resulteert in een belasting van de snapper als de haak of D-ring (rond)draait, tenzij de karabijnhaak voorzien is van een snapper die geschikt is voor 16 kN. Controleer de markering op uw musketonhaak en ga na of deze geschikt is voor uw toepassing.
 - Bij een onjuiste aankoppeling, waarbij onderdelen die uitsteken buiten de nok van de karabijnhaak of karabiner op de D-ring haken en zonder visuele bevestiging volledig aangekoppeld lijken te zijn aan het verankeringspunt.
 - Aan elkaar.
 - Direct aan singelband of touwlijn of tie-back (tenzij de instructies van de fabrikant een dergelijke verbinding voor zowel de lijn als de connector specifiek toestaan).
 - Aan elk object dat een zodanige vorm of dimensie heeft dat de karabijnhaak of karabiner niet dicht en op slot kan gaan, of daar waar uitrollen kan optreden.
 - Op een manier die de connector onder belasting geen correcte positie laat innemen.

3.0 INSTALLATIE

Installatie van de DBI-SALA Verankering met contragewicht voor daken dient plaats te vinden onder toezicht van een gekwalificeerd persoon¹. De installatie dient te worden gecertificeerd door een deskundige² die aangeeft dat voldaan wordt aan de criteria voor een gecertificeerde verankering, of dat het systeem in staat is om de potentiële krachten die teweeg zouden kunnen worden gebracht tijdens een val op te vangen.

3.1 PLANNING: Plan uw valstopsysteem voorafgaand aan het installeren van de Verankering met contragewicht voor daken. Let vóór, gedurende en na een val op alle factoren die uw veiligheid negatief kunnen beïnvloeden. Neem alle eisen, beperkingen en specificaties die in paragraaf 2 en tabel 1 zijn gedefinieerd in acht. Bepaal de juiste locatie van de verankering met contragewicht voor daken. Het moet vlak zijn en zich op minstens 2,5 m afstand van de rand van de constructie of openingen zoals dakramen bevinden en zo dicht mogelijk bij het werkgebied (Afbeelding 7A).

3.2 INSTALLATIE VAN DE VERANKERING MET CONTRAGEWICHT VOOR DAKEN: De Verankering met contragewicht voor daken kan worden geïnstalleerd op elk dak dat voldoet aan de verankeringsvereisten vermeld in Tabel 1. Veeg de installatielocatie om losse materialen te verwijderen. Installatie van de Verankering met contragewicht voor daken, (Afbeelding 7):

1. Leg vier met rubber beklede basisgewichten op het vlakke oppervlak. L-bouten worden ingebracht via een van de twee gaten in elk van de basisgewichten.
2. Til elk basisgewicht op en steek vanaf de onderkant van het gewicht een L-bout door een van de twee gaten in elk gewicht. Wissel de richting van elke L-bout af.
3. Plaats de dakverankering tijdelijk op de basisgewichten en L-bouten om te bevestigen dat de L-bouten correct in de basisgewichten zijn geplaatst.
4. Verwijder de dakverankering. Stapel drie extra gewichten op elk basisgewicht met de L-bouten die door de passende gaten in elk gewicht steken.
5. Positioneer de dakverankering op de L-bouten en gewichten. Zorg ervoor dat elke L-bout door een van de montagegaten in de basisplaat van de dakverankering steekt.
6. Voeg elke laag met gewichten toe. Een totaal van 20 gewichten wordt gebruikt in de verankering met contragewicht voor daken. Elk van de vier gewichtstapels bevat vijf gewichten (basisgewicht plus vier extra gewichten op elke stapel). Monteer een ring en moer op elke L-bout. Draai alle vier de moeren stevig met de hand vast.

4.0 GEBRUIK

4.1 VÓÓR ELK GEBRUIK: Zorg ervoor dat uw werkgebied en persoonlijk systeem voor valbescherming (PFAS) voldoen aan alle criteria zoals gedefinieerd in paragraaf 2 en dat er een formeel reddingsplan aanwezig is. Inspecteer de Verankering met contragewicht voor daken volgens de 'Gebruikers'-inspectiepunten zoals gedefinieerd in het 'Logboek voor inspectie en onderhoud' (Tabel 2). Gebruik het systeem niet indien inspectie een onveilige of defecte toestand aan het licht brengt. Stel het systeem buiten gebruik en vernietig het, of neem contact op met 3M aangaande de vervanging of reparatie van het systeem.

4.2 VALSTOPVERBINDINGEN: De Verankering met contragewicht voor daken wordt gebruikt met een volledig lichaamsharnas en energie-absorberende lijn of automatisch blokkerende reddingslijn (SRD). Verbind de lijn of SRD tussen de D-ring op de Verankering met contragewicht voor daken en de achterste dorsale D-ring aan het harnas volgens de instructies die zijn bijgesloten bij de reddingslijn of SRD.

BELANGRIJK: *Als de verankering met contragewicht voor daken wordt onderworpen aan de krachten van het stoppen van een val, moet het systeem meteen buiten gebruik worden gesteld en worden vervangen of gecontroleerd door een erkende vertegenwoordiger van Capital Safety.*

5.0 INSPECTIE

5.1 REGELMAAT VAN INSPECTIE: De Verankering met contragewicht voor daken moet worden geïnspecteerd bij intervallen die zijn gedefinieerd in Sectie 1. De inspectieprocedures zijn beschreven in het 'Logboek voor inspectie en onderhoud' (Tabel 2). Inspecteer alle overige onderdelen van het valbeschermingssysteem volgens de frequenties en procedures zoals beschreven in de betreffende instructies van de fabrikant.

5.2 DEFECTEN: Wanneer bij inspectie een onveilige of gebrekkige staat aan het licht wordt gebracht, moet u de Verankering met contragewicht voor daken onmiddellijk buiten gebruik stellen en contact opnemen met 3M om mogelijkheden voor vervanging of reparatie te bespreken. Probeer het valstopsysteem niet te repareren.

Het systeem mag alleen door een geautoriseerd persoon worden gerepareerd: Alleen 3M of partners die hiervoor schriftelijk zijn geautoriseerd, mogen deze apparatuur repareren.

5.3 GEBRUIKSDUUR VAN HET PRODUCT: De functionele levensduur van het valstopsysteem wordt bepaald door werkomstandigheden en onderhoud. Zolang het product bij inspectie aan de criteria voldoet, kan het in gebruik blijven.

1 Gekwalificeerd persoon: Een persoon met een erkende graad of een professioneel certificaat en uitgebreide ervaring op het gebied van valbeveiliging. Deze persoon moet in staat zijn tot het ontwerpen, analyseren, evalueren en specificeren van producten op het gebied van valbeveiliging.

2 Deskundige: Een persoon die in staat is om bestaande en voorspelbare gevaren in de werkomgeving of -omstandigheden te identificeren die onhygiënisch, gevaarlijk of riskant zijn voor werknemers, en die bevoegd is om direct corrigerende acties te ondernemen om gevaren te elimineren.

6.0 ONDERHOUD, SERVICE, OPSLAG

- 6.1 REINIGEN:** Reinig periodiek de metalen onderdelen van de Verankering met contragewicht voor daken met een zachte borstel, warm water en een milde zeepoplossing. Zorg ervoor dat de onderdelen grondig worden gespoeld met schoon water.
- 6.2 ONDERHOUD:** Alleen 3M of partners die hiervoor schriftelijk door 3M zijn geautoriseerd, mogen deze apparatuur repareren. Indien de Verankering met contragewicht voor daken onderhevig is geweest aan valkracht of indien inspectie onveilige of gebrekkige omstandigheden aan het licht brengt, moet u het systeem buiten gebruik stellen en contact opnemen met 3M voor vervanging of reparatie.
- 6.3 OPSLAG EN TRANSPORT:** Wanneer de niet worden gebruikt, moet u deze en bijbehorende valbeschermingsapparatuur Verankering met contragewicht voor daken opslaan en vervoeren in een koele, droge, schone omgeving en buiten bereik van direct zonlicht. Vermijd plekken waar chemische dampen kunnen voorkomen. Inspecteer de onderdelen grondig na een langdurige opslag.

7.0 LABELS

Afbeelding 9 geeft de labels op de Verankering met contragewicht voor daken weer. Labels moeten worden vervangen wanneer ze niet volledig leesbaar zijn. Elk label bevat de volgende informatie:

Ⓐ	 Lees alle instructies. 1) Fabricagejaar en -maand / Partijnummer 2) ID keuringsinstituut 3) Veiligheidsnorm 4) Modelnummer van het product
---	---

Table 2 – Inspectie- en onderhoudslogboek

Inspectiedatum:		Geïnspecteerd door:	
Componenten:	Inspectie: (Zie paragraaf 1 voor inspectiefrequentie)	Gebruiker	Deskundige persoon ¹
Verankering met contragewicht voor daken (Afbeelding 2)	Controleer de Verankering met contragewicht voor daken op schade: Let op scheuren en breuken, deuken, of vervormingen. Let op buiging of slijtage op het bevestigingspunt (B).	<input type="checkbox"/>	<input type="checkbox"/>
	Inspecteer het gehele apparaat op tekenen van roest.	<input type="checkbox"/>	<input type="checkbox"/>
Labels (Afbeelding 9)	Controleer of alle labels stevig zijn bevestigd en goed leesbaar zijn (zie 'Labels')	<input type="checkbox"/>	<input type="checkbox"/>
PFAS en andere apparatuur	Aanvullende persoonlijke valstopsysteemapparatuur (Personal Fall Arrest System (PFAS) (harnas, SRL, enz.) die met het verankeringsysteem wordt gebruikt, moet volgens de instructies van de fabrikant worden geïnstalleerd en geïnspecteerd.	<input type="checkbox"/>	<input type="checkbox"/>
Serienummer(s):		Aankoopdatum:	
Modelnummer:		Datum van eerste gebruik:	
Oplossing/Onderhoud:		Goedgekeurd door:	
		Datum:	
Oplossing/Onderhoud:		Goedgekeurd door:	
		Datum:	
Oplossing/Onderhoud:		Goedgekeurd door:	
		Datum:	
Oplossing/Onderhoud:		Goedgekeurd door:	
		Datum:	
Oplossing/Onderhoud:		Goedgekeurd door:	
		Datum:	
Oplossing/Onderhoud:		Goedgekeurd door:	
		Datum:	
Oplossing/Onderhoud:		Goedgekeurd door:	
		Datum:	
Oplossing/Onderhoud:		Goedgekeurd door:	
		Datum:	
Oplossing/Onderhoud:		Goedgekeurd door:	
		Datum:	
Oplossing/Onderhoud:		Goedgekeurd door:	
		Datum:	

¹ **Deskundige:** Een persoon die in staat is om bestaande en voorspelbare gevaren in de werkomgeving of -omstandigheden te identificeren die onhygiënisch, gevaarlijk of riskant zijn voor werknemers, en die bevoegd is om direct corrigerende acties te ondernemen om gevaren te elimineren.

SIKKERHETSINFORMASJON

NO

Les, forstå og følg all sikkerhetsinformasjon i disse instruksjonene før du tar dette ankringskoblingspunktet i bruk. UNNLATELSE AV Å GJØRE DETTE KAN FØRE TIL ALVORLIG SKADE ELLER DØD.

Disse instruksjonene må gis til brukeren av utstyret. Ta vare på disse instruksjonene for fremtidig referanse.

Tilsiktet bruk:

Dette ankringskoblingspunktet er beregnet for bruk som del av et komplett personlig fallsikringssystem.

Bruk i en hvilken som helst annen sammenheng inkludert, men ikke begrenset til, materialhåndtering, fritidsbruk eller idrettsrelaterte aktiviteter, eller andre aktiviteter som ikke beskrives i Brukerinstruksjonene, er ikke godkjent av 3M og kan resultere i alvorlig personskade eller død.

Denne innretningen skal bare brukes av opplærte brukere i arbeidsplassanvendelser.

ADVARSEL

Dette ankringskoblingspunktet er del av et personlig fallsikringssystem. Det forventes at alle brukere er fullt opplært i sikker installering og betjening av deres personlige fallsikringssystem. **Misbruk av denne innretningen kan resultere i alvorlig personskade eller død.** For riktig utvalgelse, betjening, installering, vedlikehold og service, se disse bruksanvisningene, inkludert alle produsentens anbefalinger, snakk med din arbeidsleder, eller kontakt 3M Tekniske tjenester.

- **For å redusere risikoen som er forbundet med å arbeide med et ankringskoblingspunkt som, om det ikke unngås, kan resultere i alvorlig personskade eller død:**
 - Inspiser innretningen før hver bruk, minst én gang årlig, og etter enhver fallhendelse. Inspiser i samsvar med bruksanvisningene.
 - Hvis inspeksjonen avdekker en utrygg eller defekt tilstand, må enheten tas ut av tjeneste og du må ta kontakt med et autorisert servicesenter for å få den reparert.
 - Enhver innretning som er blitt belastet som følge av fall eller støtkrefter, må umiddelbart tas ut av bruk og destrueres.
 - Innretningen må bare installeres i de spesifiserte underlag eller på strukturer som er angitt i brukerinstruksjonene. Installeringer og bruk utenfor rammen av instruksjonene må godkjennes av 3M Fallsikring.
 - Underlaget eller strukturen forankringskoblingen er festet til må være i stand til å motstå de statiske belastningene som spesifiseres for ankeret i orienteringene som er tillatt i Brukerinstruksjonene.
 - Fallsikringsundersystemene må bare kobles til det angitte ankringskoblingspunkt på innretningen.
 - Før boring eller fastgjøring, se til at ingen elektriske ledninger, gassledninger eller andre kritiske innebygde systemer vil komme i kontakt med boret eller innretningen.
 - Sørg for at fallsikringssystemer/undersystemer som er satt sammen av komponenter fremstilt av forskjellige produsenter er kompatible og oppfyller kravene i gjeldende standarder, inkludert ANSI Z359 eller andre gjeldende fallsikringsnormer, standarder eller krav. Rådfør deg alltid med en kompetent eller kvalifisert person før du bruker disse systemene.
 - løseadapter-innretningen
- **For å redusere risikoen som er forbundet med arbeid i høyden, som om det ikke unngås, kan resultere i alvorlig personskade eller død:**
 - Sørg for at din helse og fysiske tilstand gjør det mulig for deg sikkert å motstå alle de krefter som er forbundet med arbeid i høyden. Rådfør deg med legen din hvis du har noen spørsmål angående din evne til å bruke dette utstyret.
 - Du må aldri overskride tillatt kapasitet for ditt fallsikringsutstyr.
 - Du må aldri overskride maksimal frifallavstand for ditt fallsikringsutstyr.
 - Ikke bruk noe fallsikringsutstyr som ikke består inspeksjoner før bruk eller andre planmessige inspeksjoner, eller dersom du har bekymringer om bruken, eller om hvor egnet utstyret kan være for ditt bruksområde. Kontakt 3M Tekniske tjenester med eventuelle spørsmål.
 - Noen delsystemer og delekombinasjoner kan hindre bruken av dette utstyret. Bruk kun kompatible koblinger. Kontakt 3M dersom dette utstyret blir brukt sammen med andre komponenter eller delsystemer enn de som beskrives i brukerinstruksjonene.
 - Utvis ekstra forsiktighet når du arbeider rundt bevegelig maskineri (f.eks. rotasjonssystemet for oljerigger), elektriske farer, ekstreme temperaturer, kjemiske farer, eksplosive eller giftige gasser, skarpe kanter, eller nedenfor overhengende materialer som kan falle ned på deg eller ditt fallsikringsutstyr.
 - Bruk lysbueflamme eller Hot Works-innretninger når du arbeider i miljøer med høy varme.
 - Unngå overflater og gjenstander som kan skade brukeren eller utstyret.
 - Sørg for at det er tilstrekkelig fallklaring når du arbeider i høyden.
 - Du må aldri modifisere eller endre på ditt fallsikringsutstyr. Bare 3M eller virksomheter med skriftlig godkjenning kan reparere dette utstyret.
 - Før bruk av fallsikringsutstyr, pass på at det finnes en redningsplan som muliggjør rask redning hvis et falluhell skulle inntreffe.
 - Hvis et falluhell inntreffer, søk umiddelbart medisinsk hjelp for den arbeideren som har falt.
 - Ikke bruk støttebelter til fallstoppbruk. Bruk kun en helkroppssele.
 - Minimer svingfall ved å arbeide så rett under forankringspunktet som mulig.
 - Hvis du trener med denne innretningen, må et sekundært fallsikringssystem benyttes på en slik måte at det ikke eksponerer lærlingen for en utilsiktet fallfare.
 - Ha alltid på hensiktsmessig personlig verneutstyr når du installerer, bruker eller inspiserer innretningen/systemet.

Skriv ned produktidentifikasjonen fra ID-merket i inspeksjons- og vedlikeholdsloggen (tabell 2) på baksiden av denne veiledningen før installasjon og bruk av utstyret.

PRODUKTBEKRIVELSE:

Figur 1 viser 3M™ DBI-SALA™ motvektsanker for bruk på takflater. Motvektsankeret for bruk på takflater er en enkeltpunktforankringstilkobling for et personlig fallsikringssystem som er designet for å festes på et flatt underlag.

Figur 2 viser komponentene til motvektsankeret. Se tabell 1 for komponentspesifikasjoner. Motvektsankeret for bruk på takflater består av et hovedstøtteanker (A) og et festepunkt (B) som er boltet fast til motvektsplatene (E) og de gummibelagte fotvektene (F) med L-bolter (C), muttere og skiver (D). Undersystemet for fallsikring festes til festepunktet (B) på hovedstøtteankeret.

Tabell 1 – Spesifikasjoner

Systemspesifikasjoner:			
Kapasitet:	1 person med samlet vekt (klær, verktøy osv.) på ikke mer enn 140 kg (310 lbs).		
Forankring:	<p>Fallsikring: Strukturen som forankringskoblingen er montert på må tåle statiske belastninger som påføres i den retningen som fallsikringssystemet tillater på minst: 16 kN (3600 lbs)</p> <p>Motvektsankeret må ikke brukes under dårlige værforhold. Takflaten må være fri for frost, snø, stående vann, fett eller olje, eller andre typer smøre- eller friksjonsreducerende materialer.</p> <p><input checked="" type="checkbox"/> Motvektsankersystemet er godkjent for bruk på følgende typer tak: Betong, bitumen og asfaltslipt.</p> <p>Fallsikring: Taket må kunne tåle en statisk belastning på 415 kg.</p>		
Dimensjoner:	Se figur 1 for dimensjonene til motvektsankermodellen.		
Produktvekt:	Se figur 1 for vekten til motvektsankermodellen.		
Standarder:	Testet i henhold til EN 795:2012		
Komponentspesifikasjoner:			
Figur 2 Referanse	Komponent	Materialer	Merk:
(A)	Merking	Polyester	
(B)	Festepunkt	Stål	
(C)	L-bolter	Stål	
(D)	Muttre og skiver	Stål	
(E)	Motvektsplater	Gråjern	
(F)	Gummibelagte fotvekter	Gråjern og plastisol	

1.0 PRODUKTETS BRUKSOMRÅDE

- 1.1 FORMÅL:** Forankringstilkoblinger er designet for å gi forankringstilkoblingspunkter for fallsikringssystem¹ eller fallbegrensnings²systemer: Begrensning, arbeidsposisjonering, ridning, redning osv.

Kun fallbeskyttelse: Forankringstilkoblingen er for tilkobling av fallbeskyttelsesutstyr. Ikke koble løfteutstyr til denne forankringstilkoblingen.

- 1.2 STANDARDER:** Forankringstilkoblingen oppfyller kravene til nasjonale standarder som oppgis på omslaget til denne brukerveiledningen. Hvis dette produktet selges utenfor det opprinnelige destinasjonslandet, må forhandleren stille disse instruksjonene til rådighet på språket i det aktuelle landet der produktet vil bli brukt.
- 1.3 OVERVÅKING:** Bruk av dette utstyret må skje under tilsyn av en kompetent person³.
- 1.4 OPPLÆRING:** Dette utstyret er beregnet på å skulle monteres og brukes av personer som har fått opplæring i dets riktige bruksområder. Denne håndboken skal brukes som en del av en ansatts opplæringsprogram som det kreves av CE. Brukeren og montørene av dette utstyret har ansvar for å gjøre seg kjent med disse anvisningene, få opplæring i riktig pleie og bruk av dette utstyret og er klar over bruksegenskaper, bruksbegrensninger og følgene av uriktig bruk av dette utstyret.
- 1.5 REDNINGSPLAN:** Når dette utstyret brukes og undersystemer kobles sammen, må arbeidsgiveren ha en redningsplan og redningsutstyr tilgjengelig, og denne må kommuniseres til brukere, autoriserte personer⁴ og redningsmannskaper⁵. Et opplært redningsteam på stedet anbefales. Teammedlemmer skal forsynes med utstyr og teknikker til å utføre en vellykket redning. Det bør gis regelmessig opplæring for å sikre at redningspersonens kunnskaper opprettholdes.
- 1.6 INSPEKSJONSINTERVALLER:** Forankringstilkoblingen skal kontrolleres av brukeren før enhver bruk, i tillegg til en annen kompetent person annen enn brukeren, i intervaller på ikke lenger enn ett år.⁶ Prosedyrene for inspeksjon beskrives i «Inspeksjons- og vedlikeholdslogg». Resultatene fra hver inspeksjon utført av kompetent person bør registreres i kopier av «Inspeksjons- og vedlikeholdslogg».
- 1.7 ETTER ET FALL:** Hvis forankringstilkoblingen utsettes for krefter fra en fallsikring, skal den tas ut av bruk umiddelbart og ødelegges, tydelig merkes «IKKE BRUK» og deretter ødelegges.

2.0 SYSTEMKRAV

- 2.1 FORANKRING:** Forankringskravene varierer med fallbeskyttelsesbruksområdet. Konstruksjonen der forankringstilkoblingen er plassert eller montert skal oppfylle forankringsspesifikasjonene angitt i tabell 1.
- 2.2 PERSONLIG FALLSIKRINGSSYSTEM:** Figur 1 illustrerer bruken av denne forankringstilkoblingen. Personlige fallsikringssystemer (PFAS) som brukes med systemet, skal oppfylle gjeldende fallbeskyttelsesstandarder, koder og krav. PFAS skal ha en hel kroppssele integrert og begrense sikringskraft til følgende verdier:

	Maksimal sikringskraft	Fritt fall
PFAS med støtabsorberende livline	6 kN (1350 lb)	Se instruksjonen(e) som følger med livlinen din eller SRD for begrensninger på fritt fall.
PFAS med selvinntrekkende enhet (SRD)	6 kN (1350 lb)	

- 2.3 FALLBANE OG SRD-LÅSEHASTIGHET:** For at SRD-en skal låses sikkert, trengs det en fri bane for fallet. Unngå situasjoner som gjør det umulig å ha en hindringsfri fallbane. Arbeid på svært snevre eller trange områder kan føre til at kroppen ikke oppnår tilstrekkelig hastighet til å få SRD-en til å låse seg hvis et fall skulle inntreffe. Arbeid på materialer som flytter seg sakte, for eksempel sand eller grus, kan føre til at hastigheten ikke bygger seg opp raskt nok til at SRD-en låser seg.
- 2.4 FARER:** Bruk av dette utstyret i risikable arbeidsmiljøer kan kreve at det benyttes tilleggssikring for å unngå skade på bruker eller utstyr. Farer kan inkludere, men er ikke begrenset til: varme, kaustiske kjemikalier, etsende omgivelser, høyspenningslinjer, eksplosive eller giftige gasser, maskineri i bevegelse, skarpe kanter eller materialer i høyden som kan falle ned på brukeren eller fallsikringssystemet.
- 2.5 FALLKLARING:** Figur 3 viser komponentene i en fallsikring. Det må være tilstrekkelig klaring under brukeren til å stanse et fall før brukeren treffer bakken eller en annen hindring. Klaringen påvirkes av flere faktorer, inkludert: Forankringssted, (A) livlinelengde, (B) livlinens retardasjonsavstand eller SRD maksimum sikringsavstand, (C) selestrekkning og D-ring-/tilkoblingslengde og synking. Se instruksjonene som følger med fallstopp-delsystemet for detaljer om fallklaringsberegning.
- 2.6 SVINGFALL:** Svingfall oppstår når forankringspunktet ikke er rett over stedet der fallet finner sted (se figur 4). Kraften som oppstår hvis man støter mot en gjenstand, kan medføre alvorlig skade eller død. Minimer svingfall ved å arbeide så rett under forankringspunktet som mulig. Ikke gjør svingfall mulig hvis skade kan oppstå. Svingfall øker vesentlig klaringen som kreves når en automatisk tilbaketrekkelig enhet eller annet tilkoblings-delsystem med variabel lengde brukes.

2.7 KOMPONENTKOMPATIBILITET: Utstyr fra 3M er kun laget for bruk sammen med komponenter og delsystemer fra 3M. Utskifting eller erstatning med ikke-godkjente komponenter og delsystemer kan påvirke utstyrets kompatibilitet, som kan gå ut over sikkerheten og påliteligheten til hele systemet.

2.8 KOBLINGSKOMPATIBILITET: Koblinger anses å være kompatible med koblingselementene når de er konstruert for å virke sammen på en slik måte at størrelse og form ikke får lukkemekanismene til å åpnes utilsiktet, uansett hvordan de posisjoneres. Kontakt 3M hvis du har spørsmål om kompatibilitet.

Tilkoblingene må samsvare med EN 362. Koblingene må være kompatible med forankringen og andre systemkomponenter. Ikke bruk utstyr som ikke er kompatibelt. Ikke-kompatible koblinger kan løsne utilsiktet (se fig. 5). Påse at koblingene er kompatible når det gjelder størrelse, form og styrke. Hvis koblingselementet, som en sikkerhetskrok eller karabinkrok er festet til, er for lite eller har en ujevn form, kan det oppstå en situasjon der koblingselementet overfører kraft på krokens feste (A). Denne kraften kan gjøre at festet åpnes (B), og dermed kan sikkerhetskroken eller karabinkroken løsne fra tilkoblingspunktet (C).

2.9 LAGE KOBLINGER: Sikkerhetskrokene og karabinkrokene som brukes med dette utstyret, må være selvlåsende. Påse at koblingene er kompatible i forhold til størrelse, form og styrke. Ikke bruk utstyr som ikke er kompatibelt. Påse at alle koblinger er fullstendig lukket og låst.

3M-koblinger (kroker og karabinkroker) er kun beregnet til bruk slik det er spesifisert i produktets brukerveiledning. Se Figur 6 for eksempler på feilaktige koblinger. Ikke fest låsekroker og karabinkroker

- A. Til D-ring der det er festet en annen kobling.
- B. På en måte som vil føre til belastning på porten. Sikkerhetskroker med stor halskrok skal ikke kobles til D-ringer av standard størrelse eller liknende gjenstander, da dette vil resultere i belastning på krokens feste dersom kroken eller D-ringen vrir seg eller roterer, med mindre karabinkroken er utstyrt med et 16 kN (3600 Ib) feste. Sjekk merking på din sikkerhetskrok for å bekrefte at den er egnet til ditt bruksområde.
- C. I et falskt feste, der elementer som stikker ut fra låsekroken eller karabinkroken tar tak i forankringen, og der manglende visuell bekreftelse gjør at det virker som om kroken har korrekt tak i forankringspunktet.
- D. Til hverandre.
- E. Direkte til stropper eller livliner eller tilbakekobling av tau (med mindre produsentens veiledning for både livlinen og koblingen spesifikt tillater dette).
- F. Til et objekt som er formet eller dimensjonert slik at låsekroken eller karabinkroken ikke vil lukke og låse, eller hvor utrulling kan forekomme.
- G. På en måte som gjør at koblingen ikke er korrekt innrettet under belastning.

3.0 MONTERING

Installasjon av DBI-SALA-motveksankeret for bruk på takflater skal overvåkes av en kvalifisert person¹. Installasjonen skal sertifiseres av en kompetent person² som oppfyller kriteriene for en sertifisert forankring, eller som er i stand til å støtte de potensielle kreftene som kan oppleves under et fall.

3.1 PLANLEGGING: Planlegg fallsikringssystemet før montering av motveksankeret. Vurder faktorer som kan påvirke sikkerheten din før, under og etter et fall. Ta hensyn til alle krav, begrensninger og spesifikasjoner som defineres i del 2 og tabell 1.

Bestem riktig plassering for motveksankeret. Det må være flatt og minst 2,5 m fra kanten av strukturen eller eventuelle åpninger som takvinduer, og så nær arbeidsområdet som mulig (figur 7A).

3.2 INSTALLASJON AV MOTVEKTSANKERET: Motveksankeret kan installeres på alle takflater som oppfyller forankringskravene angitt i tabell 1. Fjern løse materialer fra installasjonsstedet. Slik installeres motveksankeret (figur 7):

1. Legg de fire gummibelagte fotvektene på det flate underlaget. Sett L-bolter i ett av de to hullene i hver av fotvektene.
2. Løft hver fotvekt og sett inn en L-bolt i en av de to hullene i hver vekt fra undersiden. Bytt om retningen til hver av L-boltene.
3. Sett ankeret midlertidig på fotvektene og sett inn L-boltene for å bekrefte at L-boltene er riktig posisjonert på fotvektene.
4. Fjern ankeret: Legg tre ekstra vekter på hver fotvekt med L-boltene stikkende ut av de tilsvarende hullene i hver vekt.
5. Plasser ankeret på L-boltene og vektene. Pass på at hver L-bolt går gjennom et av monteringshullene i ankerplaten.
6. Legg på hvert lag av vekter. Motveksankeret består av totalt 20 vekter. Hver av de fire vektstablene skal inneholde fem vekter (fotvekten pluss fire ekstra vekter i hver stabel). Monter en skive og mutter på hver L-bolt. Trekk de fire mutrene godt til for hånd.

4.0 BRUK

4.1 FØR HVER BRUK: Verifiser at arbeidsområdet og det personlige fallsikringssystemet (PFAS) oppfyller alle kriteriene som er definert i del 2 og at det finnes en formell redningsplan. Inspiser motveksankeret i henhold til inspeksjonspunktene under «Bruker» i *Inspeksjons- og vedlikeholdslogg* (tabell 2). Hvis kontrollen avdekker en utrygg eller defekt tilstand, skal systemet ikke brukes. Ta systemet ut av drift og kontakt 3M Fallsikring vedrørende utskiftning eller reparasjon.

4.2 FALLSIKRINGSKOBLINGER: Motveksankeret brukes med hel kroppssle og energiabsorberende livline eller en selvinntrekkende enhet (SRD). Koble livlinen eller SRD-en mellom D-ringene på motveksankeret og den bakre D-ringene på selen som beskrevet i instruksjonene som følger med livlinen eller SRD-en.

VIKTIG: Hvis motveksankeret utsettes for kreftene ved å sikre et fall, må det umiddelbart tas ut av bruk og skiftes ut eller inspiseres av en autorisert representant fra Capital Safety.

5.0 INSPEKSJON

5.1 INSPEKSJONSINTERVALLER: Motveksankeret må kontrolleres ved de intervallene som er definert i del 1. Prosedyrene for inspeksjon beskrives i «*Inspeksjons- og vedlikeholdslogg*» (tabell 2). Kontroller alle andre komponenter i fallbeskyttelsessystemet i henhold til intervaller og prosedyrer angitt i produsentens instruksjoner.

5.2 DEFEKTER: Hvis inspeksjonen avdekker en utrygg eller defekt tilstand, skal motveksankeret umiddelbart tas ut av bruk og 3M skal kontaktes vedrørende utskifting eller reparasjon. Ikke prøv å reparere fallsikringssystemet.

Kun autorisert reparasjon: Bare 3M eller virksomheter med skriftlig godkjenning kan reparere dette utstyret.

5.3 PRODUKTETS LEVETID: Den funksjonelle levetiden for fallsikringssystemet avhenger av arbeidstilstander og vedlikehold. Så lenge produktet oppfyller inspeksjonskriteriene, kan det brukes.

6.0 VEDLIKEHOLD, SERVICE, OPPBEVARING


6.1 RENGJØRING: Rengjør metallkomponentene i motveksankeret med jevne mellomrom med en myk børste, varmt vann og mild såpeoppløsning. Sørg for å skylle delene godt med rikelig med rent vann.

6.2 SERVICE: Bare 3M eller virksomheter med skriftlig godkjenning fra 3M kan reparere dette utstyret. Hvis motveksankeret er blitt utsatt for fallkrefter eller en inspeksjon avdekker en utrygg eller defekt tilstand, skal systemet umiddelbart tas ut av bruk og 3M kontaktes vedrørende utskifting eller reparasjon.

6.3 OPPBEVARING OG TRANSPORT: Når motveksankeret og tilknyttet fallsikringsutstyr ikke er i bruk, skal det oppbevares og transporteres i et kjølig, tørt og rent miljø, beskyttet mot direkte sollys. Unngå områder der det kan finnes gasser fra kjemikalier. Gjennomfør en grundig inspeksjon av komponenter etter langvarig lagring.

7.0 MERKING

Figur 1 viser etikettene på motveksankeret. Etikettene må skiftes ut hvis de ikke er fullt leselige. Informasjonen på hver etikett er som følger:

Ⓐ  Les alle instruksjoner.
1) Produksjonsår og -måned / partinummer 2) Kontrollorgannummer 3) Sikkerhetsstandard 4) Produktmodellnummer

Certifique-se de que lê, compreende e segue todas as informações de segurança contidas nestas instruções antes de utilizar este Conector de Ancoragem. O INCUMPRIMENTO DESSAS INSTRUÇÕES PODERÁ RESULTAR EM LESÕES GRAVES OU MORTE.

Estas instruções têm de ser fornecidas ao utilizador deste equipamento. Guarde estas instruções para referência futura.

Uso previsto:

Este Conector de Ancoragem deve ser utilizado como parte de um sistema pessoal completo de proteção antiqueda.

A sua utilização noutras circunstâncias incluindo, sem limitações, atividades de manuseamento de materiais, atividades recreativas ou relacionadas com desporto ou outras atividades não descritas nas Instruções para o utilizador, não é aprovada pela 3M e pode resultar em ferimentos graves ou morte.

Este dispositivo só deve ser utilizado por pessoas que tenham recebido formação no local de trabalho.

AVISO

Este Conector de Ancoragem é parte de um sistema pessoal completo de proteção antiqueda. Todos os utilizadores devem receber formação quanto à instalação e manuseamento seguros do seu sistema pessoal de proteção antiqueda. **A má utilização deste dispositivo pode resultar em ferimentos graves ou morte.** Para a devida seleção, manuseamento, instalação, manutenção e reparação, consulte estas Instruções para o utilizador e todas as recomendações do fabricante, consulte o seu supervisor ou contacte os serviços técnicos da 3M.

- **Para minimizar os riscos associados à utilização de um Conector de Ancoragem que, caso não evitados, podem resultar em ferimentos graves ou morte:**
 - Inspeccione o dispositivo antes de cada utilização, pelo menos uma vez por ano, e após cada incidente de queda. Inspeccione de acordo com as Instruções para o Utilizador.
 - Se a inspeção revelar uma condição perigosa ou defeito, retire o dispositivo de serviço e repare-o ou substitua-o de acordo com as Instruções para o utilizador.
 - Qualquer dispositivo que tiver sido sujeito a forças de detenção da queda ou de impacto, deve ser imediatamente retirado de serviço e destruído.
 - O dispositivo só deve ser instalado em substratos especificados ou em estruturas detalhadas nas Instruções do Utilizador. As instalações e a utilização fora do âmbito das instruções devem ser aprovadas por escrito pela 3M Fall Protection.
 - O substrato ou a estrutura à qual o conector de ancoragem é fixado deve ser capaz de suportar as cargas estáticas especificadas para a ancoragem nas orientações permitidas nas Instruções para o Utilizador.
 - Apenas conecte subsistemas de proteção antiqueda ao ponto de conexão de ancoragem designado no dispositivo.
 - Antes de perfurar ou fixar, certifique-se de que a broca ou o dispositivo não entrarão em contacto com cabos elétricos, condutas de gás, ou outros sistemas críticos incorporados.
 - Assegure-se de que os sistemas/subsistemas de proteção antiqueda, montados com componentes produzidos por diferentes fabricantes, são compatíveis e satisfazem os requisitos das normas aplicáveis, incluindo a ANSI Z359 ou outros códigos, normas ou requisitos de proteção antiqueda aplicáveis. Consulte sempre uma Pessoa competente ou Qualificada antes de utilizar estes sistemas.
- **Para minimizar os riscos associados à utilização em trabalhos em altura que, caso não evitados, podem resultar em ferimentos graves ou morte:**
 - Certifique-se de que a sua condição física e o seu estado de saúde lhe permitem suportar, com segurança, todas as forças associadas ao trabalho em altura. Consulte um médico caso tenha alguma questão quanto à sua capacidade de utilizar este equipamento.
 - Nunca exceda a capacidade permitida do seu equipamento de proteção antiqueda.
 - Nunca exceda a distância de queda livre máxima do seu equipamento de proteção antiqueda.
 - Não utilize qualquer equipamento de proteção antiqueda que não cumpra os critérios predefinidos ou outras inspeções agendadas ou caso tenha dúvidas quanto à utilização ou adequação do equipamento no seu trabalho. Contacte os serviços técnicos da 3M se tiver dúvidas.
 - Algumas combinações de subsistemas e componentes podem interferir com o funcionamento deste equipamento. Utilize apenas conectores compatíveis. Consulte a 3M quando instalar ou utilizar este equipamento em combinação com componentes ou subsistemas diferentes dos descritos nas Instruções para o utilizador.
 - Tome precauções adicionais ao trabalhar perto de maquinaria em movimento (por exemplo, sistema top drive das plataformas petrolíferas), quanto a perigos elétricos, temperaturas extremas, perigos químicos, gases explosivos ou tóxicos, bermas afiadas ou materiais suspensos que possam cair em cima de si ou do seu equipamento de proteção antiqueda.
 - Utilize equipamentos de proteção contra soldadura por arco elétrico ou materiais inflamáveis ao trabalhar em ambientes de temperatura elevada.
 - Evite superfícies ou objetos que possam causar-lhe ferimentos ou danificar o equipamento.
 - Certifique-se de que existe uma altura livre de queda ao trabalhar em alturas.
 - Nunca modifique ou altere o equipamento de proteção antiqueda. Apenas a 3M ou terceiros com autorização escrita da 3M podem efetuar reparações neste equipamento.
 - Antes de utilizar equipamento de proteção antiqueda, certifique-se de que existe um plano de resgate pronto a ser acionado caso ocorra um incidente de queda.
 - No caso de um incidente de queda, solicite imediatamente ajuda médica para o trabalhador que caiu.
 - Não utilize um cinto de segurança para aplicações de detenção da queda. Utilize apenas um arnés completo de corpo.
 - Minimizar as quedas em pêndulo trabalhando o mais possível diretamente abaixo do ponto de ancoragem.
 - Se o dispositivo for utilizado durante uma formação, deve ser utilizado um sistema de proteção antiqueda secundário para garantir que o formando não fica exposto a perigo de queda.
 - Utilize sempre equipamento de proteção individual adequado durante a instalação, utilização ou inspeção do dispositivo/sistema.

Antes da instalação e utilização deste equipamento, registre os dados de identificação do produto da etiqueta de identificação no Registo de Inspeções e Manutenções (Tabela 2) no verso deste manual.

DESCRIÇÃO DO PRODUTO:

A Figura 1 ilustra a ancoragem de contrapeso de telhado 3M™ DBI-SALA™. A ancoragem de contrapeso de telhado é um conector de ancoragem de ponto simples para um sistema de detenção da queda pessoa concebido para ser instalado sobre uma superfície plana.

A Figura 2 ilustra os componentes da ancoragem de contrapeso de telhado. Consulte a Tabela 1 para ver as especificações dos componentes. A ancoragem de contrapeso de telhado é constituída por uma ancoragem de suporte principal (A) e ponto de fixação (B) aparafusado às placas de contrapeso (E) e aos pesos de base com revestimento de borracha (F) com parafusos em L (C) e porcas e anilhas (D). O subsistema de detenção da queda é ligado ao ponto de fixação (B) na ancoragem de suporte principal.

Tabela 1 – Especificações

Especificações do sistema:	
Capacidade:	1 pessoa com um peso combinado (vestuário, ferramentas, etc.) máximo de 140 kg (310 libras).
Ancoragem:	<p>Proteção antiqueda: A estrutura à qual o conector de ancoragem está instalado deve sustentar cargas estáticas aplicadas nas direções permitidas pelo sistema de proteção antiqueda de pelo menos: 16 kN (3600 libras).</p> <p>A ancoragem de contrapeso de telhado não pode ser utilizada em condições climatéricas adversas. A superfície do telhado não deve apresentar gelo, neve, água parada, gordura ou óleo ou qualquer outro tipo de material de lubrificação ou de redução de atrito.</p> <div style="border: 1px solid black; padding: 5px; margin: 5px 0;"> <input checked="" type="checkbox"/> O sistema da ancoragem de contrapeso de telhado está aprovado para utilização sobre os seguintes tipos de telhado: betão, betume e asfalto polido. </div> <p>Segurança: O telhado tem de ser capaz de suportar uma carga estática de 415 kg.</p>
Dimensões:	Consulte a Figura 1 para conhecer as dimensões do modelo de ancoragem de contrapeso de telhado.
Peso do produto:	Consulte a Figura 1 para conhecer o peso do modelo de ancoragem de contrapeso de telhado.
Normas:	Testado em conformidade com a EN 795:2012

Especificações dos componentes:			
Referência na Figura 2	Componentes	Materiais	Nota:
(A)	Etiquetas	Poliéster	
(B)	Ponto de fixação	Aço	
(C)	Parafusos em L	Aço	
(D)	Porcas e anilhas	Aço	
(E)	Placas de contrapeso	Ferro cinzento	
(F)	Pesos de base com revestimento de borracha	Ferro cinzento e plastisol	

1.0 APLICAÇÃO DO PRODUTO

1.1 FINALIDADE: Os conectores de ancoragem são concebidos para fornecer pontos de conexão de ancoragem a sistemas de paragem de queda¹ ou de retenção de queda²: Retenção, posicionamento no trabalho, condução individual, salvamento, etc.

Apenas proteção anti-queda: Este conector de ancoragem destina-se a conexão do equipamento de proteção anti-queda. Não ligue o equipamento de elevação a este conector de ancoragem.

1.2 NORMAS: O seu conector de ancoragem está em conformidade com as normas nacionais ou regionais identificadas na capa destas instruções. Se este produto for revendido fora do país de destino original, o revendedor deve fornecer estas instruções na língua do país no qual o produto será usado.

1.3 SUPERVISÃO: O uso deste equipamento tem que ser supervisionado por uma Pessoa Competente³.

1.4 FORMAÇÃO: Este equipamento deve ser instalado e utilizado por pessoas que tenham recebido formação quanto à sua correta aplicação. Este manual deverá ser integrado num programa de formação para funcionários, conforme exigido pela CE. É da responsabilidade do utilizador e do instalador deste equipamento assegurarem que estão familiarizados com estas instruções, que receberam formação sobre o tratamento e utilização corretos deste equipamento e que estão sensibilizados para as características do funcionamento, os limites de aplicação e as consequências da utilização indevida do mesmo.

1.5 PLANO DE SALVAMENTO: Quando utilizar este equipamento e subsistemas de ligação, a entidade patronal tem de ter um plano de salvamento e os meios disponíveis para implementar e comunicar esse plano aos utilizadores, pessoas autorizadas⁴ e equipas de salvamento⁵. Recomenda-se a presença de uma equipa de salvamento profissional no local. Os membros da equipa devem receber o equipamento e conhecer as técnicas necessárias para realizar um salvamento bem sucedido. A formação deve ser ministrada regularmente para assegurar a competência técnica dos elementos de socorro.

1.6 FREQUÊNCIA DE INSPEÇÕES: O Conector de Ancoragem deve ser inspecionado pelo utilizador antes de cada utilização e, adicionalmente, por uma pessoa competente que não o utilizador em intervalos que não ultrapassem um ano.⁶ Os procedimentos de inspeção estão descritos no "Registo de inspeções e manutenções". Os resultados de cada inspeção realizada por pessoas competentes devem ser registados em cópias do "Registo de inspeções e manutenções".

1.7 DEPOIS DE UMA QUEDA: Se o conector de ancoragem for sujeito a forças de detenção de uma queda, deverá ser retirado imediatamente de serviço, assinalado claramente com "NÃO UTILIZAR" e, em seguida, destruído.

2.0 REQUISITOS DO SISTEMA

2.1 ANCORAGEM: Os requisitos de ancoragem variam com a aplicação da proteção anti-queda. A estrutura na qual o Conector de Ancoragem é colocado ou montado deve cumprir as especificações de Ancoragem definidas na Tabela 1.

2.2 SISTEMA PESSOAL DE DETENÇÃO DE QUEDA: A Figura 1 ilustra a aplicação deste conector de ancoragem. Os Sistemas Pessoais de Proteção Anti-queda (PFAS) usados com o sistema devem cumprir as normas, códigos e requisitos da proteção anti-queda aplicáveis. O PFAS tem de incorporar um arnês de corpo inteiro e limitar a força de detenção até aos seguintes valores:

	Força de máxima paragem	Queda livre
Sistema pessoal de paragem de queda com cabos de segurança amortecedores de impacto	6 kN (1350 libras)	Consulte as instruções incluídas com o seu cabo de segurança ou SRD para saber as limitações de queda livre.
Sistema pessoal de paragem de queda com dispositivo autorretrátil (SRD)	6 kN (1350 libras)	

2.3 TRAJETÓRIA DA QUEDA E VELOCIDADE DE BLOQUEIO DA SRL: É necessária uma trajetória desimpedida para assegurar o bloqueio positivo do SRD. Devem ser evitadas as situações que não permitem uma trajetória de queda livre. Trabalhar em espaços confinados ou exíguos pode não permitir que o corpo atinja a velocidade necessária para fazer com que o SRD bloqueie em caso de queda. Trabalhar em material instável, tal como a areia ou grãos, pode não permitir atingir a velocidade necessária para provocar o bloqueio do SRD.

2.4 RISCOS: A utilização deste equipamento em áreas com riscos ambientais pode necessitar de precauções acrescidas a fim de evitar lesões no utilizador ou danos no equipamento. Os riscos podem incluir, sem limitação: temperaturas elevadas, produtos químicos, ambientes corrosivos, linhas de alta tensão, gases explosivos ou tóxicos, equipamentos móveis, arestas aguçadas ou materiais localizados acima da cabeça que podem cair e atingir o utilizador ou o sistema de proteção anti-queda.

1 Sistema de paragem de queda: Um conjunto de equipamento de proteção anti-queda configurado para parar uma queda livre.

2 Sistema de retenção de queda: Um conjunto de equipamento de proteção anti-queda configurado para impedir que o centro de gravidade da pessoa atinja o perigo de queda.

3 Pessoa competente: Pessoa capaz de identificar riscos existentes e previsíveis nas proximidades ou condições de trabalho pouco higiénicas, prejudiciais ou perigosas para os funcionários, e que tem autorização para tomar medidas corretivas imediatas para os eliminar.

4 Pessoa autorizada: Pessoa designada pela entidade empregadora para realizar trabalhos numa localização em que a pessoa estará exposta a perigo de queda.

5 Elemento de salvamento: Pessoa ou pessoas (sem ser a pessoa a ser socorrida) que procedem a uma ação de salvamento assistido, mediante a utilização de um sistema de salvamento.

6 Frequência de inspeções: As condições de trabalho extremas (ambientes rigorosos, utilização prolongada, etc.) podem necessitar de aumentar a frequência das inspeções por pessoas competentes.

- 2.5 ALTURA LIVRE DE QUEDA:** A Figura 3 ilustra os componentes do Sistema de detenção da queda do engate de caminhão. Deve haver espaço livre suficiente para proteção de uma queda antes que o utilizador caia ao chão ou encontre outro obstáculo. O espaço livre é afetado por uma série de fatores, incluindo: Localização da ancoragem, (A) Comprimento do cabo de segurança, (B) distância de desaceleração do cabo de segurança ou distância de detenção máxima do SRD, (C) elasticidade do arnês e comprimento do argola em D/Conector e estabilização. Consulte as instruções incluídas com o seu subsistema de detenção da queda para características específicas em relação a Cálculo da altura livre de queda.
- 2.6 QUEDAS EM OSCILAÇÃO (PÊNDULOS):** As quedas em oscilação ocorrem quando o ponto de ancoragem não está diretamente acima do ponto onde a queda ocorre (consulte a Figura 4). A força de impacto de um objeto numa queda em oscilação pode provocar lesões graves ou morte. Minimize as quedas em pêndulo trabalhando o mais possível diretamente abaixo do ponto de ancoragem. Não permita uma queda por oscilação se existir a possibilidade de ferimento. As quedas em oscilação irão aumentar significativamente a altura livre necessária quando se utiliza uma corda de segurança retráctil ou outro subsistema de conexão de comprimento variável.
- 2.7 COMPATIBILIDADE DE COMPONENTES:** O equipamento da 3M destina-se ser usado apenas com componentes e subsistemas aprovados pela 3M. As substituições efectuadas com componentes ou subsistemas não aprovados podem comprometer a compatibilidade do equipamento e podem afectar a segurança e fiabilidade de todo o sistema.
- 2.8 COMPATIBILIDADE DE CONECTORES:** Os conectores são considerados compatíveis com elementos de ligação quando são concebidos para trabalhar em conjunto de modo a que os seus tamanhos e formas não provoquem a abertura involuntária dos seus mecanismos de fecho, independentemente da forma como ficam orientados. Contacte a 3M se tiver dúvidas em relação à compatibilidade.
- Os conetores têm de estar em conformidade com a EN 362. Os conectores têm de ser compatíveis com a ancoragem ou com outros componentes do sistema. Não utilize equipamento que não seja compatível. Os conectores incompatíveis podem desprender-se involuntariamente (consulte a Figura 5). Os conectores têm de ser compatíveis em tamanho, forma e resistência. Se o elemento de ligação ao qual se fixa o gancho de engate rápido ou mosquetão for demasiado pequeno ou tiver uma forma irregular, pode ocorrer uma situação no local onde o elemento de ligação aplica uma força à lingueta do gancho de engate rápido ou mosquetão (A). Esta força pode provocar a abertura da lingueta (B), permitindo que o gancho de engate rápido ou mosquetão se solte do ponto de ligação (C).
- 2.9 FAZER AS LIGAÇÕES:** Os ganchos de engate rápido e mosquetões utilizados com este equipamento têm de ser de bloqueio automático. Certifique-se de que todas as ligações são compatíveis em tamanho, forma e resistência. Não utilize equipamento que não seja compatível. Certifique-se de que todos os conectores estão totalmente fechados e bloqueados. Os conectores 3M (ganchos de engate rápido e mosquetões) foram concebidos para serem utilizados apenas como indicado no manual de instruções de cada produto. Consulte a Figura 6 para visualizar exemplos de ligações incorretas. Não ligue ganchos de engate rápido e mosquetões:
- A uma argola em D onde esteja preso outro conector.
 - De forma a provocar uma sobrecarga na lingueta. Os mosquetões de abertura larga não devem ser ligados a argolas em D de tamanho normal ou a objetos idênticos, pois esta situação irá resultar numa carga sobre a lingueta caso o mosquetão ou a argola em D gire ou rode, a não ser que o mosquetão esteja equipado com um trinco para 16 kN (3600 libras). Veja as marcações do seu mosquetão para verificar se é adequado para a sua aplicação.
 - Num encaixe incorreto, onde os componentes que sobressaem do gancho de engate rápido ou mosquetão ficam presos na ancoragem e que, sem confirmação visual, parecem estar totalmente encaixados ao ponto de ancoragem.
 - Entre si.
 - Diretamente à malha de rede ou cabo de tração de corda ou de amarração traseira (a não ser que as instruções do fabricante, para o cabo de tração e conetor, autorizem especificamente essa ligação).
 - A qualquer objeto que tenha uma forma ou dimensão que não permita que o gancho de engate ou mosquetão feche ou tranque, ou de modo a que possa ocorrer um deslizamento.
 - De forma a não permitir que o conector fique corretamente alinhado enquanto estiver sujeito a sobrecarga.

3.0 INSTALAÇÃO

A instalação da ancoragem de contrapeso de telhado DBI-SALA deverá ser supervisionada por uma Pessoa qualificada¹. A instalação deverá ser certificada por uma pessoa competente² como cumprindo os critérios de uma Ancoragem Certificada, ou certificada como tendo a capacidade de suportar as forças potenciais que podem ocorrer durante uma queda.

3.1 PLANEAMENTO: Planeie o seu sistema de proteção antiqueda antes da instalação da ancoragem de contrapeso de telhado. Tenha em consideração todos os fatores que podem afetar a sua segurança antes, durante e após uma queda. Tenha em consideração todos os requisitos, limitações e especificações definidos na Secção 2 e na Tabela 1. Determine a localização correta da ancoragem de contrapeso de telhado. Tem de ficar plana e a uma distância mínima de 2,5 m (8 pés) da aresta da estrutura ou de quaisquer aberturas, como claraboias, e o mais perto possível da zona de trabalho (Figura 7A).

3.2 INSTALAR A ANCORAGEM DE CONTRAPESO DE TELHADO: A ancoragem de contrapeso de telhado pode ser instalada em qualquer telhado que cumpra os requisitos de ancoragem especificados na Tabela 1. Varra o local da instalação para remover materiais soltos. Para instalar a Ancoragem de Contrapeso de Telhado, (Figura 7):

1. Coloque quatro pesos de base com revestimento de borracha na superfície plana. Serão inseridos parafusos em L através de um dos dois orifícios em cada um dos pesos de base.
2. Levante cada peso de base e, a partir da parte inferior do peso, insira um parafuso em L através de um dos dois orifícios em cada peso. Alterne a direção de cada parafuso em L.
3. Posicione temporariamente a ancoragem de contrapeso de telhado sobre os pesos de base e os parafusos em L para confirmar que os parafusos em L têm a orientação correta nos pesos de base.
4. Remova a ancoragem de contrapeso de telhado. Empilhe três pesos adicionais em cada peso de base com os parafusos em L a sobressair dos orifícios correspondentes em cada peso.
5. Posicione a ancoragem de contrapeso de telhado sobre os parafusos em L e os pesos. Certifique-se de que cada parafuso em L passa por um dos orifícios de montagem na placa de base da ancoragem de contrapeso de telhado.
6. Adicione cada camada de pesos. É utilizado um total de 20 pesos na ancoragem de contrapeso de telhado. Cada uma das quatro pilhas de pesos contém cinco pesos (peso de base mais quatro pesos adicionais em cada pilha). Coloque uma anilha e uma porca em cada um dos parafusos em L. Aperte bem manualmente as quatro porcas.

4.0 UTILIZAÇÃO

4.1 ANTES DE CADA UTILIZAÇÃO: Confirme que a sua área de trabalho e Sistema Pessoal de Proteção Antiquedas (PFAS) cumprem os critérios definidos na Secção 2 e que existe um Plano de Salvamento formal implementado. Inspeccione a ancoragem de contrapeso de telhado de acordo com os pontos de inspeção do "Utilizador" definidos no "Registo de Inspeção e Manutenção" (Tabela 2). Não utilize o sistema se a inspeção revelar uma condição perigosa ou defeituosa. Retire o sistema do serviço e destrua, ou contacte a 3M relativamente a substituição ou reparação.

4.2 CONEXÕES DE DETENÇÃO DA QUEDA: A ancoragem de contrapeso de telhado é utilizada com um arnês de corpo inteiro e cabo de segurança de absorção de energia ou dispositivo auto-retração (SRD). Ligue o cabo de segurança ou SRD entre o anel de ancoragem na ancoragem de contrapeso de telhado e o anel de ancoragem dorsal no arnês conforme indicado nas instruções incluídas com o cabo de segurança ou SRD.

IMPORTANTE: *Se a ancoragem de contrapeso de telhado for sujeita às forças de detenção de uma queda, terá de ser removida do terreno de serviços imediatamente e ser substituída ou inspecionada por um Representante Autorizado da Capital Safety.*

5.0 INSPEÇÃO

5.1 FREQUÊNCIA DE INSPEÇÃO: A ancoragem de contrapeso de telhado tem de ser inspecionada nos intervalos definidos na Secção 1. Os procedimentos de inspeção estão descritos no "Registo de inspeções e manutenções" (Tabela 2). Inspeccione todos os outros componentes do sistema de proteção antiqueda de acordo com as frequências e procedimentos definidos nas instruções do respetivo fabricante.

5.2 DEFEITOS: Se a inspeção revelar condições perigosas ou defeituosas, retire imediatamente de serviço a ancoragem de contrapeso de telhado e contacte a 3M, relativamente a substituição ou reparação. Não tente reparar o Sistema de detenção da queda.

Apenas reparações autorizadas: *Apenas a 3M ou terceiros com autorização escrita podem efetuar reparações neste equipamento.*


5.3 VIDA ÚTIL DO PRODUTO: A vida funcional do sistema de detenção da queda é determinada pelas condições de trabalho e manutenção. Enquanto o produto passar os critérios de inspeção, poderá continuar a ser utilizado.

6.0 MANUTENÇÃO, REPARAÇÃO, ARMAZENAMENTO

- 6.1 LIMPEZA:** Limpe periodicamente os componentes metálicos da ancoragem de contrapeso de telhado com uma escova suave, água morna e uma solução de sabão suave. Certifique-se de que as peças foram lavadas minuciosamente com água limpa.
- 6.2 REPARAÇÃO:** Apenas a 3M ou terceiros com autorização escrita pela 3M podem efetuar reparações neste equipamento. Se a ancoragem de contrapeso de telhado tiver sido sujeita a forças de queda ou se a inspeção revelar condições perigosas ou defeituosas, retire o sistema de serviço e contacte a 3M relativamente a substituição ou reparação.
- 6.3 ARMAZENAMENTO E TRANSPORTE:** Quando não estiver a ser utilizada, armazene e transporte ancoragem de contrapeso de telhado e o equipamento de proteção antiqueda associado num ambiente fresco, seco e limpo, afastado da luz solar direta. Evite áreas onde possam existir vapores químicos. Inspeccione minuciosamente os componentes após armazenamento prolongado.

7.0 ETIQUETAS

A Figura 9 ilustra as etiquetas da ancoragem de contrapeso de telhado. As etiquetas devem ser substituídas se não forem completamente legíveis. As informações fornecidas em cada etiqueta são as seguintes:

Ⓐ	 Ler todas as instruções. 1) Ano e mês de fabrico / Número do lote 2) Identificação da entidade certificadora 3) Norma de segurança 4) Número de modelo do produto
---	--

SÄKERHETSINFORMATION

Läs igenom, förstå och följ all säkerhetsinformation i denna bruksanvisning innan du använder denna förankringsanslutning. OM DETTA INTE GÖRS KAN DET LEDA TILL ALLVARLIGA SKADOR ELLER DÖDSFALL.

Dessa anvisningar måste tillhandahållas för den som ska använda denna utrustning. Spara dessa instruktioner för framtida referens.

Avsedd användning:

Denna förankringsanslutning är avsedd att användas som en del av ett komplett personligt fallskyddssystem.

Användning för andra syften, inklusive materialhantering, fritids- och idrottsaktiviteter samt andra aktiviteter som inte beskrivs i bruksanvisningen, godkänns inte av 3M och kan resultera i allvarlig skada eller dödsfall.

Denna enhet ska endast användas av utbildade användare för professionellt bruk.

VARNING

Denna förankringsanslutning är en del av ett personligt fallskyddssystem. Alla användare förväntas vara fullständigt utbildade i säker installation och användning av sina personliga fallskyddssystem. **Felaktig användning av den här enheten kan resultera i allvarlig skada eller dödsfall.** För korrekt val, användning, installation, underhåll och service hänvisas till denna bruksanvisning och alla rekommendationer från tillverkaren, din arbetsledare eller 3M:s tekniska kundtjänst.

- **Observera följande för att minska risker som är förknippade med en förankringsanslutning och som kan leda till allvarlig personskada eller dödsfall om de inte undviks:**
 - Kontrollera enheten före varje användning, minst en gång per år och efter varje fallhändelse. Utför kontrollen enligt bruksanvisningen.
 - Om inspektion avslöjar ett osäkert eller defekt tillstånd ska du ta anordningen ur drift och reparera eller byta ut den i enlighet med bruksanvisningen.
 - Varje enhet som har utsatts för fallstopp eller fallkraft måste omedelbart tas ur bruk och förstöras.
 - Enheten får endast installeras i de specificerade underlagen eller på strukturer som beskrivs i användaranvisningarna. Installationer och användning utanför omfattningen för dessa anvisningar måste godkännas av 3M Fall Protection.
 - Underlaget eller strukturen i vilken förankringskoppling fästs måste kunna bära de statiska laster som anges för förankringen i de riktningar som är tillåtna enligt bruksanvisningarna.
 - Andra undersystem för fallskydd ska endast anslutas till enhetens utsedda förankringsanslutningspunkt.
 - Säkerställ före borring eller infästning att inga elledningar, gasledningar eller andra kritiska dolda system kommer i kontakt med borren eller utrustningen.
 - Se till att fallskyddssystem och delsystem som är monterade med komponenter från olika tillverkare är kompatibla och uppfyller kraven i tillämpliga standarder, inklusive ANSI Z359 eller andra tillämpliga regler, standarder eller krav på fallskydd. Anlit alltid en kompetent eller kvalificerad person före användning av dessa system.
- **För att minska risker för allvarlig skada eller dödsfall vid arbete på höga höjder:**
 - Se till att din hälsa och fysiska kondition medger att du säkert kan motstå alla krafter i samband med arbete på hög höjd. Rådgör med läkare om du har frågor kring din förmåga att använda den här utrustningen.
 - Överskrid aldrig din fallskyddsutrustnings godkända kapacitet.
 - Överskrid aldrig din fallskyddsutrustnings maximala avstånd för fritt fall.
 - Använd aldrig fallskyddsutrustning som inte godkänts vid inspektion före användning eller andra schemalagda inspektioner, eller om du är osäker på huruvida utrustningen kan användas eller lämpar sig för ditt tillämpningsområde. Vänd dig till 3M:s tekniska kundtjänst med eventuella frågor.
 - Vissa kombinationer av undersystem och komponenter kan störa utrustningens funktionsduglighet. Använd endast kompatibla kopplingar. Rådfråga 3M innan du använder denna utrustning i kombination med andra komponenter eller undersystem än de som beskrivs i bruksanvisningen.
 - Var extra försiktig då du arbetar i närheten av rörligt maskineri (t.ex. topdrive på oljerigg), nära farlig elektrisk utrustning, i extrema temperaturer, nära farliga kemikalier, nära explosiva eller giftiga gaser, nära vassa kanter samt under ovanliggande material som kan falla ner på dig eller din fallskyddsutrustning.
 - Använd Arc Flash- eller Hot Works-enheter vid arbete i miljöer med höga temperaturer.
 - Undvik ytor och föremål som kan skada användare eller utrustning.
 - Se till att det finns tillräcklig fallmarginal vid arbete på höga höjder.
 - Du skall aldrig modifiera eller ändra din fallskyddsutrustning. Endast 3M eller av 3M skriftligen auktoriserade parter får utföra reparationer på utrustningen.
 - Innan du använder fallskyddsutrustning skall du kontrollera att det finns en räddningsplan som medger snabb räddning vid eventuellt fall.
 - Vid fall bör arbetaren som fallit få omedelbar läkarvård.
 - Ett kroppsbälte får ej användas för fallstoppstillämpningar. Använd endast helkroppsselar.
 - Minimera risken för pendelfall genom att arbeta med förankringspunkten så rakt ovanför dig som möjligt.
 - Vid utbildning i användning av den här enheten måste ett andra fallskyddssystem användas för att inte utsätta personen som utbildas för en oavsiktlig fallrisk.
 - Använd alltid lämplig personlig skyddsutrustning vid installation, användning eller inspektion av enheten/systemet.

Anteckna informationen om produktidentifiering från ID-etiketten i besiktnings- och underhållsloggen (tabell 2) på baksidan av denna bruksanvisning innan denna utrustning installeras och används.

PRODUKTBESKRIVNING:

3M™ DBI-SALA™ takmotviktsankare visas i Figur 1. Takmotviktsankaret är en enpunkts förankringskoppling för ett personligt fallskyddssystem, utformat för installation på en plan horisontell takyta.

Takmotviktsankarens delar visas i Figur 2. Se Tabell 1 angående komponenternas specifikationer. Takmotviktsankaret består av ett centralt stödankare (A) med infästningspunkt (B) som fästs med bultar i motviktsplattorna (E) och gummibelagda fotvikter (F) med L-bultar (C), muttrar och brickor (D). Falskyddssystemet kopplas till det centrala stödankarens infästningspunkt (B).

Tabell 1 – Specifikationer

Systemspecifikationer:	
Kapacitet:	1 person med totalt tillåten vikt (inklusive kläder, verktyg osv.) på 140 kg.
Förankring:	<p>Fallstopp: Konstruktionen som förankringskopplingen är installerad på måste bära statiska belastningar som anbringas i riktningar som fallskyddssystemet möjliggör på minst: 16 kN (3 600 lb)</p> <p>Takmotviktsankaret får inte användas i svåra väderförhållanden. Takytan måste vara fri från frost, snö, stillastående vatten, fett, olja eller annan typ av smörjande eller friktionsminskande material.</p> <div style="border: 1px solid black; padding: 2px;"> <input checked="" type="checkbox"/> Takmotviktsankarsystemet är godkänt för användning på följande typer av tak: betong, bitumen och sandasfalt. </div> <p>Fallbegränsning: Taket måste bära 416 kg statisk belastning.</p>
Mått:	Se Figur 1 angående takmotviktsankarens mått.
Produktens vikt:	Se Figur 1 angående takmotviktsankarens vikt.
Standarder:	Provad enligt EN 795:2012

Komponentspecifikationer:			
Figur 2 hänvisning	Komponent	Material	Obs!
(A)	Etiketter	Polyester	
(B)	Fästpunkt	Stål	
(C)	L-bultar	Stål	
(D)	Muttrar och brickor	Stål	
(E)	Motviktsplattor	Gråjärn	
(F)	Gummibelagda fotvikter	Gråjärn och plastisolering	

1.0 PRODUKTANVÄNDNING

- 1.1 SYFTE:** Förankringskopplingar är konstruerade för att ge tillgång till förankringspunkter för fallstoppsystem¹ eller fallhindrande ²system: Begränsning, arbetspositionering, persontransport, räddning osv.

Endast fallskydd: Denna förankringskoppling är avsedd för koppling av en fallskyddsutrustning. Koppla inte lyftutrustning till denna förankringskoppling.

- 1.2 STANDARDER:** Din förankringskoppling överensstämmer med de nationella standarder som återges på framsidan av dessa instruktioner. Om denna produkt återförsäljs utanför det ursprungliga mottagarlandet, måste återförsäljaren tillhandahålla denna bruksanvisning på språket i det land där produkten kommer att användas.
- 1.3 ÖVERVAKNING:** Användning av denna utrustning måste övervakas av en kompetent person³.
- 1.4 UTBILDNING:** Denna utrustning måste installeras och användas av personer som är utbildade för korrekt användning av den. Denna bruksanvisning ska användas som en del i ett personalutbildningsprogram enligt CE-kraven. Det är de som använder och installerar denna utrustning som ansvarar för att säkerställa att de är förtrogna med dessa anvisningar, utbildade för korrekt skötsel och användning av denna utrustning samt medvetna om driftsegenskaperna, tillämpningsbegränsningar och konsekvenserna av felaktig användning av denna utrustning.
- 1.5 RÄDDNINGSPLAN:** När denna utrustning och anslutande undersystem används ska arbetsgivaren ha en räddningsplan och resurser tillgängliga för att tillämpa och informera användare, behöriga personer⁴ och räddningspersonal⁵ om planen. Ett utbildat räddningsteam på plats rekommenderas. Teamets medlemmar ska förses med utrustning och metoder för att utföra en framgångsrik räddningsoperation. Regelbunden utbildning ska tillhandahållas för att säkerställa räddningspersonalens kompetens.
- 1.6 BESIKTNINGSINTERVALL:** Förankringskopplingen ska besiktas av användaren före varje användning och dessutom av en kompetent person, annan än användaren, minst en gång per år.⁶ Besiktningrutinerna beskrivs i "Besiktning- och underhållslogg". Resultatet av varje kompetent persons besiktning ska registreras på kopior av "Besiktning- och underhållsloggen".
- 1.7 EFTER ETT FALL:** Om förankringskopplingen utsätts för fallstoppskrafter skall den omgående tas ur bruk, tydligt märkas "FÅR EJ ANVÄNDAS" och sedan förstöras.

2.0 SYSTEMKRAV

- 2.1 FÖRANKRING:** Kraven på förankring varierar mellan olika fallskyddstillämpningar. Den konstruktion som förankringskopplingen placeras eller monteras på måste uppfylla de i tabell 1 definierade förankringsspecifikationerna.
- 2.2 PERSONLIGT FALLSKYDDSSYSTEM:** Användningen av förankringskopplingen illustreras i figur 1. Personliga fallskyddssystem (PFAS), som används tillsammans med denna utrustning, måste uppfylla tillämpliga standarder och anvisningar. PFAS-systemet måste innefatta en helkroppsssele och begränsa den maximala stoppkraften till följande värden:

	Högsta tillåtna stoppkraft	Fritt fall
PFAS med stötdämpande lina	6 kN (1 350 pund)	Se instruktionerna som medföljer din kopplingslina eller SRD angående begränsningar för fritt fall.
PFAS med självindragande lina (SRD)	6 kN (1 350 pund)	

- 2.3 FALLVÄG OCH SRD-LÅSNINGSHASTIGHET:** Fri fallväg är nödvändigt för att säker låsning av SRD-enheten ska kunna garanteras. Situationer som inte medger en obehindrad fallväg bör undvikas. Arbete i begränsade eller trånga utrymmen betyder eventuellt att kroppen inte når tillräckligt hög hastighet för att SRD:n ska låsas vid ett fall. Arbete på långsamt glidande material, t.ex. sand eller spannmål, medger eventuellt inte tillräcklig hastighetsökning för att SRD:n ska låsa.
- 2.4 RISKER:** Användning av denna utrustning i områden med miljöfaror kan fordra ytterligare försiktighet för att undvika risken för att användaren skadas eller skada på utrustningen. Faror kan inkludera men är inte begränsade till: hetta, kemikalier, korrosiva miljöer, kraftledning för högspänning, explosiva eller giftiga gaser, rörliga maskiner, vassa kanter eller material på högre höjd som kan falla ned och träffa användaren eller fallskyddssystemet.
- 2.5 FALLMARGINAL:** Komponenter för fallstopp illustreras i figur 3. Det måste finnas tillräcklig fallmarginal (FC) för att stoppa ett fall innan användaren slår i marken eller annat föremål. Marginalen bestäms av ett antal faktorer inklusive: Förankringspunkt (A), kopplingslinans längd (B), kopplingslinans inbromsningssträcka eller SRD:ns stoppsträcka (C), selens töjning och D-ringars/kopplingars längd och sättning. Se anvisningar som hör till fallskyddssystemet för uppgifter angående beräkning av fallmarginal.
- 2.6 PENDELFALL:** Pendelfall kan inträffa när förankringspunkten inte ligger rakt ovanför den punkt där ett fall sker (se figur 4). Kraften då ett föremål träffas i pendelfall kan orsaka allvarlig personskada eller dödsfall. Minimera risken för pendelfall genom att arbeta med förankringspunkten så rakt ovanför dig som möjligt. Låt inte pendelfall uppstå om det finns risk för personskada. Pendelfall medför en betydligt högre fallmarginal än vad som krävs för en självindragande livlina eller annat undersystem med variabel längd.

2.7 KOMPONENTERS KOMPATIBILITET: Om inget annat anges är 3M-utrustning endast utformad för komponenter och undersystem som är godkända av 3M. Ersättning eller utbyte mot icke godkända komponenter eller undersystem kan äventyra utrustningens kompatibilitet och även påverka hela systemets säkerhet och tillförlitlighet.

2.8 KOPPLINGARS KOMPATIBILITET: Anslutningar anses vara kompatibla med anslutningselement när de är avsedda att fungera tillsammans på ett sådant sätt att deras storlekar och former inte orsakar att deras öppningsmekanismer öppnar sig av misstag, oavsett hur de än vrids och vänds. Kontakta 3M om du har frågor som rör kompatibilitet.

Kopplingar skall uppfylla EN 362. Kopplingar måste vara kompatibla med förankringen eller andra systemkomponenter. Använd inte utrustning som inte är kompatibel. Icke-kompatibla kopplingar kan lossna av misstag (se figur 5). Kopplingar måste vara kompatibla i storlek, form och styrka. Om det anslutningselement som en automatkrok eller karbinkrok fästs i är för litet eller oregelbundet utformat, kan en situation uppstå där kopplingskomponenten tillför kraft på automatkrokens eller karbinkrokens (A) öppningsmekanism. Denna kraft kan orsaka att öppningsmekanismen öppnas (B), vilket medför att automatkroken eller karbinkroken kan lossna från kopplingspunkten (C).

2.9 ATT KOPPLA: Automatkrokar och karbinkrokar som används med denna utrustning skall vara självlåsande. Kontrollera att alla anslutningar är kompatibla i storlek, form och styrka. Använd inte utrustning som inte är kompatibel. Kontrollera att alla kopplingar är helt stängda och låsta.

3M kopplingar (automatkrokar och karbinhakar) är endast avsedda att användas enligt produkternas bruksanvisningar. Se figur 6 för exempel på olämpliga anslutningar. Anslut inte automatkrokar och karbinkrokar:

- A. Till en D-ring som har en annan koppling ansluten.
- B. På ett sätt som skulle orsaka en belastning på öppningsmekanismen. Automatkrokar med stora öppningar ska inte kopplas till D-ringar i standardstorlek eller liknande som kan orsaka belastning på öppningsmekanismen om kroken eller D-ringen vrids eller roterar, såvida inte automatkroken är försedd med 16 kN (3 600 pund) öppningsmekanism. Kontrollera automatkrokens märkning för att avgöra om den passar för din tillämpning.
- C. I en falsk koppling, där delar som sticker ut på automatkroken eller karbinkroken fastnar i förankringen, och utan visuell bekräftelse tycks vara helt fastkopplade i förankringspunkten.
- D. Till varandra.
- E. Direkt till vävband, säkringsrep eller omtagslinor (såvida inte tillverkarens instruktioner för både kopplingslinan och anslutningen specifikt tillåter sådan anslutning).
- F. Till ett föremål som är utformat eller har sådan storlek att automatkroken eller karbinkroken inte stängs, eller om det finns risk för utrullning.
- G. På ett sätt som inte tillåter kopplingen att sitta rakt under lasten.

3.0 INSTALLATION

Installation av DBI-SALA takmotviktsankare måste övervakas av en kvalificerad person¹. Monteringen måste godkännas av en kvalificerad person² som ska intyga att montaget uppfyller kraven på en godkänd förankring, alternativt klarar de krafter som kan uppstå vid ett fall.

3.1 PLANERING: Gör en plan för fallskyddssystemet före montering av takmotviktsankaret. Beakta alla faktorer som kan påverka säkerheten före, under och efter ett fall. Ta hänsyn till alla krav, begränsningar och specifikationer som anges i avsnitt 2 och tabell 1.

Bestäm lämplig placering av takmotviktsankaret. Underlaget skall vara plant och placeringen får ligga minst 2,5 m (8 ft) från konstruktionens kant eller öppningar som takfönster, så nära arbetsområdet som möjligt.

3.2 INSTALLERA TAKMOTVIKTSANKARET: Takmotviktsankaret kan installeras på alla tak som uppfyller förankringskraven i Tabell 1. Sopa installationsplatsen ren från löst material. För installation av takmotviktsankaret, (Figur 7):

1. Layout för gummibelagda fotvikter på den plana ytan. L-bultar sätts i ett av de två hålen i var och en av fotvikterna.
2. Lyft varje fot och sätt i L-bulten underifrån i ett av fotens två hål. Justera riktningen för varje L-bult.
3. Placera tillfälligt takankaret på fotvikterna och L-bultarna och kontrollera att L-bultarna är riktade rätt i fotvikterna.
4. Ta bort takankaret. Stapla ytterligare vikter på varje fotvikt med L-bultarna utstickande genom motsvarande hål i varje vikt.
5. Placera takankaret på L-bultarna och vikterna. Se till att varje L-bult passerar genom ett av monteringshål i takankarets fotplatta.
6. Lägg till varje lager av vikter. Totalt 20 vikter används på takmotviktsankaret. Var och en av de fyra viktstaplarna kommer att ha fem vikter (fotvikt plus fyra vikter i varje stapel). Montera en bricka och mutter på varje L-bult. Dra åt de fyra myttrarna lätt för hand.

4.0 ANVÄNDNING

4.1 FÖRE VARJE ANVÄNDNING: Kontrollera att arbetsområdet och det personliga fallskyddssystemet (PFAS) uppfyller alla villkor som definieras i Avsnitt 2 och att en formell räddningsplan har upprättats. Kontrollera takmotviktsankaret enligt "Användarens kontrollpunkter"- som finns i "Besiktning- och underhållslogg" (Tabell 2). Använd inte systemet om ett osäkert eller defekt tillstånd upptäcks vid besiktning. Ta systemet ur drift och förstör det eller kontakta 3M avseende utbyte eller reparation.

4.2 FALLSTOPPSANSLUTNINGAR: Takmotviktsankaret används tillsammans med en helkroppssele och energiabsorberande livlina eller självindragande livlina (SRL-block). Koppla livlinan eller SRL-blocket mellan takankarets D-ring och helkroppsselens bakre D-ring enligt anvisningarna som medföljer säkringen eller SRD:n.

VIKTIGT! *Takmotviktsankare som har utsatts för fallstoppkraft skall omgående tas ur bruk och bytas ut eller kontrolleras av en auktoriserad representant för Capital Safety.*

5.0 BESIKTNING

5.1 BESIKTNINGSINTERVALL: Takmotviktsankaret skall besiktas med de intervall som anges i avsnitt 1. Besiktningssprocedurerna beskrivs i "Besiktning- och underhållslogg" (Tabell 2). Kontrollera alla övriga komponenter i fallskyddssystemet med de intervall och procedurer som anges i tillverkarens anvisningar.

5.2 DEFEKTER: Ta omgående takmotviktsankaret ur bruk och kontakta 3M för utbyte eller reparation om osäkra eller defekta tillstånd upptäcks vid besiktning. Gör inga försök att reparera fallskyddssystemet.

Får endast repareras av auktoriserad verkstad: *Endast 3M eller skriftligen auktoriserade parter får utföra reparationer på utrustningen.*

5.3 PRODUKTENS LIVSLÄNGD: Fallskyddssystemets livslängd avgörs av arbetsförhållanden och underhåll. Det får användas så länge det uppfyller besiktningsskraven.

6.0 UNDERHÅLL, SERVICE, FÖRVARING

6.1 RENGÖRING: Rengör regelbundet takmotviktsankarets metalldelar med en mjuk borste, varmt vatten och mild tvållösning. Se till att delarna sköljs grundligt med rent vatten.


6.2 SERVICE: Endast 3M eller parter med skriftligt godkännande från 3M får reparera utrustningen. Ta omgående systemet ur bruk och kontakta 3M för utbyte eller reparation om takmotviktsankaret har utsatts för fallstoppkraft eller visar tecken på osäkert eller defekt tillstånd vid besiktning.

6.3 FÖRVARING OCH TRANSPORT: Takmotviktsankare och tillhörande skyddsutrustning som inte används skall förvaras på sval, torr och ren plats, skyddad från direkt solljus. Undvik platser där det kan finnas kemiska ångor. Kontrollera komponenterna noggrant efter långvarig förvaring.

7.0 ETIKETTER

Figur 9 visar vilka etiketter som finns på takmotviktsankaret. Etiketter som inte är helt läsliga skall bytas ut. Följande

information finns på etiketterna:

A	 Läs alla instruktioner. 1) Tillverkningsår och -månad / Serienummer 2) Rapporteringsmyndighet 3) Säkerhetsstandard 4) Produktens modellbeteckning
---	--

**GARANTIA GLOBAL DO PRODUTO, REPARAÇÃO LIMITADA
E LIMITAÇÃO DE RESPONSABILIDADE**

GARANTIA: A SEGUINTE É FEITA EM LUGAR DE TODAS AS GARANTIAS OU CONDIÇÕES, EXPRESSAS OU IMPLÍCITAS, INCLUINDO AS GARANTIAS OU CONDIÇÕES DE COMERCIALIZAÇÃO OU ADEQUAÇÃO A UM DETERMINADO FIM.

Salvo disposição em contrário pelas leis locais, os produtos de proteção contra quedas da 3M têm garantia contra defeitos de fábrica, quer no fabrico, quer nos materiais, por um período de um ano, a partir da data de instalação ou da primeira utilização pelo proprietário original.

REPARAÇÃO LIMITADA: Após a notificação por escrito à 3M, a 3M irá reparar ou substituir qualquer produto que a 3M determinar ter um defeito de fábrica no fabrico ou nos materiais. A 3M reserva-se o direito de exigir que o produto seja devolvido às suas instalações para avaliação das solicitações de garantia. Esta garantia não cobre danos ao produto devidos ao desgaste, abuso, mau uso, danos durante o transporte, falha na manutenção do produto ou outros danos fora do controlo da 3M. A 3M será o único juiz da condição do produto e opções de garantia.

Esta garantia aplica-se somente ao comprador original e é a única garantia aplicável aos produtos de proteção contra quedas da 3M. Entre em contacto com o departamento de atendimento ao cliente da 3M na sua área para obter assistência.

LIMITAÇÃO DE RESPONSABILIDADE: NA MEDIDA DO PERMITIDO PELAS LEIS LOCAIS, A 3M NÃO SE RESPONSABILIZA POR QUAISQUER DANOS INDIRETOS, INCIDENTAIS, ESPECIAIS OU CONSEQUENTES, INCLUINDO, MAS NÃO SE LIMITANDO À PERDA DE LUCROS DE ALGUMA FORMA RELACIONADA COM OS PRODUTOS, INDEPENDENTEMENTE DA BASE LEGAL INVOCADA.

**GLOBAL PRODUKTGARANTI, BEGRÄNSAD KOMPENSATION
OCH BEGRÄNSAD ANSVARSSKYLDIGHET**

GARANTI: FÖLJANDE GÄLLER SOM ERSÄTTNING FÖR ALLA GARANTIER ELLER VILLKOR, UTTRYCKLIGA ELLER UNDERFÖRSTÅDDA, INKLUSIVE UNDERFÖRSTÅDDA GARANTIER ELLER VILLKOR FÖR SÄLJBARHET ELLER LÄMPLIGHET FÖR ETT VISST ÄNDAMÅL.

Såvida inte annat stipuleras i lokala lagar, garanteras 3M:s fallskyddsprodukter mot fabriktionsfel avseende tillverkning och material under en period av ett år från datum för ursprunglig ägares installation eller första användning.

BEGRÄNSAD KOMPENSATION: Efter skriftlig avisering till 3M, kommer 3M att reparera eller byta ut varje produkt, som av 3M fastställts vara behäftad med fabriktionsfel vad gäller tillverkning eller material. 3M förbehåller sig rätten att kräva att produkt returneras till företagets anläggning för utvärdering av garantianspråk. Denna garanti omfattar inte produktskada till följd av slitage, felaktig användning, missbruk, skada under transport, underlåtenhet att sköta produkten eller annan skada utom 3M:s kontroll. 3M är ensam bedömare av produktskick och garantialternativ.

Denna garanti avser enbart den ursprunglige köparen och är den enda garanti som gäller för 3M:s fallskyddsprodukter. Kontakta 3M:s kundtjänstavdelning i din region för assistans.

BEGRÄNSNING AV ANSVARSSKYLDIGHET: I DEN OMFATTNING SOM TILLÅTS AV LOKALA LAGAR, ANSVARAR 3M INTE FÖR NÅGRA INDIREKTA, OFÖRUTSEDDA, SPECIELLA ELLER FÖLJDSKADOR, INKLUSIVE MEN INTE BEGRÄNSAT TILL FÖRLUST AV VINSTER, VILKA PÅ NÅGOT SÄTT HÄNFÖRTS TILL PRODUKTERNA, OAVSETT HÄVDAD RÄTTSLIG GRUND.

GLOBAL PRODUCT WARRANTY, LIMITED REMEDY AND LIMITATION OF LIABILITY

WARRANTY: THE FOLLOWING IS MADE IN LIEU OF ALL WARRANTIES OR CONDITIONS, EXPRESS OR IMPLIED, INCLUDING THE IMPLIED WARRANTIES OR CONDITIONS OF MERCHANTABILITY OR FITNESS FOR A PARTICULAR PURPOSE.

Unless otherwise provided by local laws, 3M fall protection products are warranted against factory defects in workmanship and materials for a period of one year from the date of installation or first use by the original owner.

LIMITED REMEDY: Upon written notice to 3M, 3M will repair or replace any product determined by 3M to have a factory defect in workmanship or materials. 3M reserves the right to require product be returned to its facility for evaluation of warranty claims. This warranty does not cover product damage due to wear, abuse, misuse, damage in transit, failure to maintain the product or other damage beyond 3M's control. 3M will be the sole judge of product condition and warranty options.

This warranty applies only to the original purchaser and is the only warranty applicable to 3M's fall protection products. Please contact 3M's customer service department in your region for assistance.

LIMITATION OF LIABILITY: TO THE EXTENT PERMITTED BY LOCAL LAWS, 3M IS NOT LIABLE FOR ANY INDIRECT, INCIDENTAL, SPECIAL OR CONSEQUENTIAL DAMAGES INCLUDING, BUT NOT LIMITED TO LOSS OF PROFITS, IN ANY WAY RELATED TO THE PRODUCTS REGARDLESS OF THE LEGAL THEORY ASSERTED.



Fall Protection

USA

3833 SALA Way
Red Wing, MN 55066-5005
Toll Free: 800.328.6146
Phone: 651.388.8282
Fax: 651.388.5065
3Mfallprotection@mmm.com

Brazil

Rua Anne Frank, 2621
Boqueirão Curitiba PR
81650-020
Brazil
Phone: 0800-942-2300
falecoma3m@mmm.com

Mexico

Calle Norte 35, 895-E
Col. Industrial Vallejo
C.P. 02300 Azcapotzalco
Mexico D.F.
Phone: (55) 57194820
3msaludocupacional@mmm.com

Colombia

Compañía Latinoamericana de Seguridad S.A.S.
Carrera 106 #15-25 Interior 105 Manzana 15
Zona Franca - Bogotá, Colombia
Phone: 57 1 6014777
fallprotection-co@mmm.com

Canada

260 Export Boulevard
Mississauga, ON L5S 1Y9
Phone: 905.795.9333
Toll-Free: 800.387.7484
Fax: 888.387.7484
3Mfallprotection-ca@mmm.com

EMEA (Europe, Middle East, Africa)

EMEA Headquarters:
Le Broc Center
Z.I. 1re Avenue - BP15
06511 Carros Le Broc Cedex
France
Phone: + 33 04 97 10 00 10
Fax: + 33 04 93 08 79 70
informationfallprotection@mmm.com

Australia & New Zealand

137 McCredie Road
Guildford
Sydney NSW 2161
Australia
Phone: +(61) 2 8753 7600
Toll-Free : 1800 245 002 (AUS)
Toll-Free : 0800 212 505 (NZ)
Fax: +(61) 2 8753 7603
anzfallprotectionsales@mmm.com

Asia

Singapore:
1 Yishun Avenue 7
Singapore 768923
Phone: +65-6450 8888
Fax: +65-6552 2113
TotalFallProtection@mmm.com

China:

38/F, Maxdo Center, 8 Xing Yi Rd
Shanghai 200336, P R China
Phone: +86 21 62753535
Fax: +86 21 52906521
3MFallProtection-CN@mmm.com

Korea:

3M Korea Ltd
20F, 82, Uisadang-daero,
Yeongdeungpo-gu, Seoul
Phone: +82-80-033-4114
Fax: +82-2-3771-4271
TotalFallProtection@mmm.com

Japan:

3M Japan Ltd
6-7-29, Kitashinagawa, Shinagawa-ku, Tokyo
Phone: +81-570-011-321
Fax: +81-3-6409-5818
psd.jp@mmm.com

WEBSITE:
3M.com/FallProtection



EU DECLARATION OF CONFORMITY:
3M.com/FallProtection/DOC